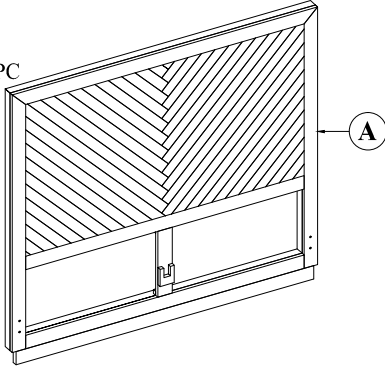


# FULL/QUEEN PLATFORM BED ASSEMBLY INSTRUCTIONS

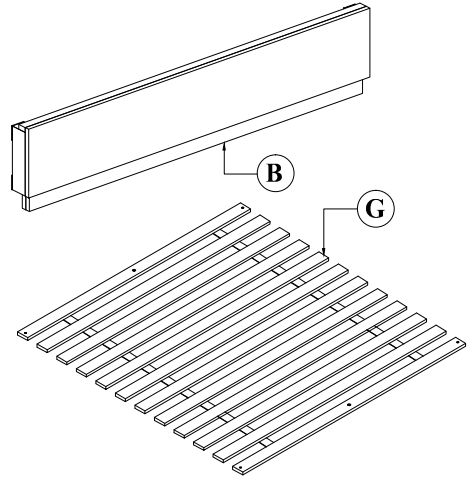
## BOX #1

A. HEADBOARD : 1 PC



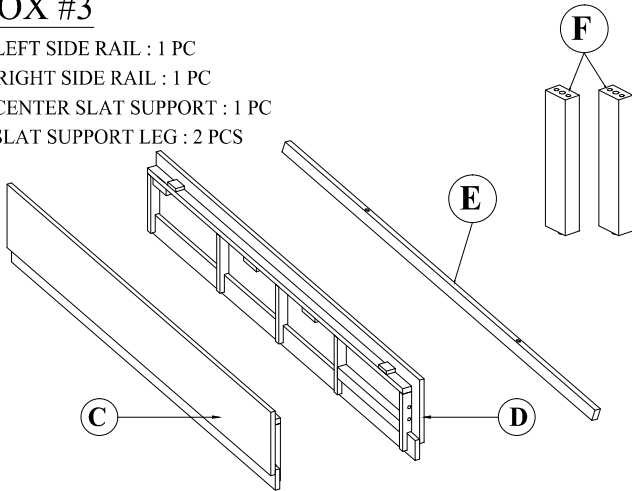
## BOX #2

B. PANEL FOOTBOARD : 1 PC  
G. SLAT ROLL : 1 SET



## BOX #3

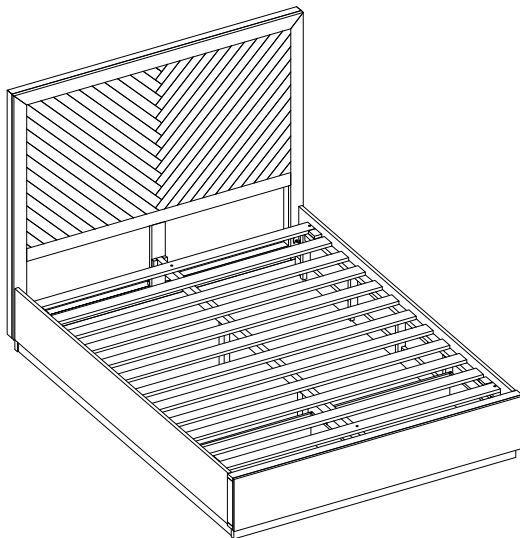
C. LEFT SIDE RAIL : 1 PC  
D. RIGHT SIDE RAIL : 1 PC  
E. CENTER SLAT SUPPORT : 1 PC  
F. SLAT SUPPORT LEG : 2 PCS



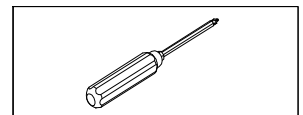
## HARDWARE PACKED IN BOX #2

1	ALLEN BOLT (M8X50)		8 PCS
2	ALLEN BOLT (M6X60)		2 PCS
3	SPRING WASHER (M8)		8 PCS
4	FLAT WASHER (M8)		8 PCS
5	WOOD DOWEL (M8X30)		4 PCS
6	WOOD SCREW (M4X30)		6 PCS
7	ALLEN KEY		1 PC
8	BRACKET		1 PC
9	WOOD SCREW (M4X15)		6 PCS

## FULLY ASSEMBLED

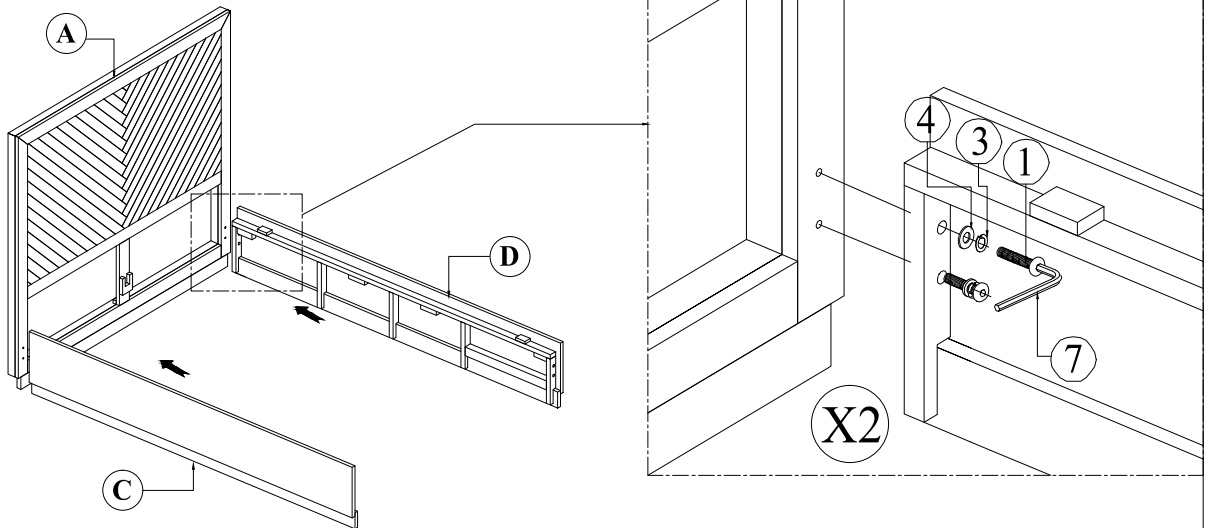


TOOL REQUIRED PHILLIPS HEAD SCREW DRIVER  
(NOT PROVIDED)

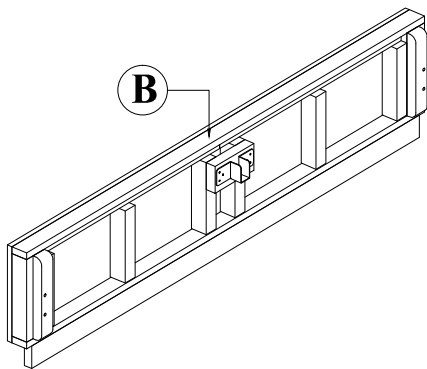


# FULL/QUEEN PLATFORM BED ASSEMBLY INSTRUCTIONS

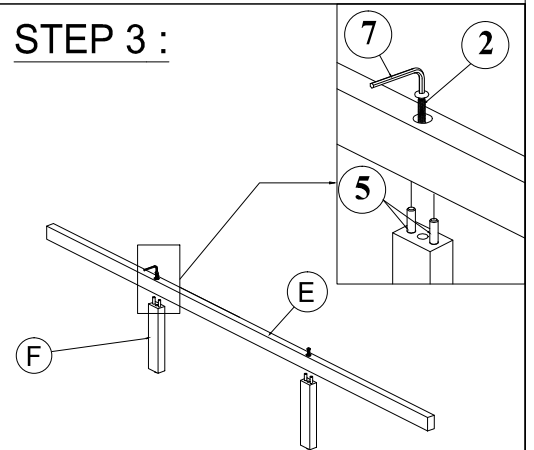
## STEP 1 :



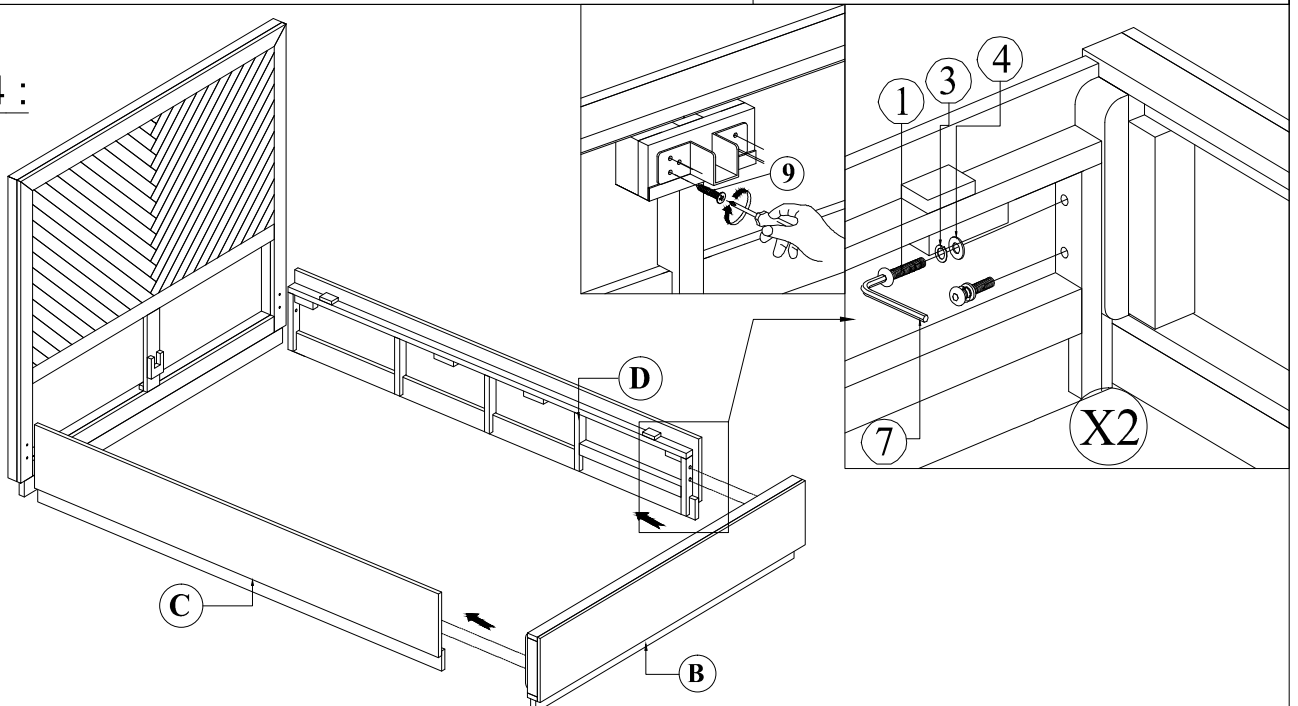
## STEP 2 :



## STEP 3 :

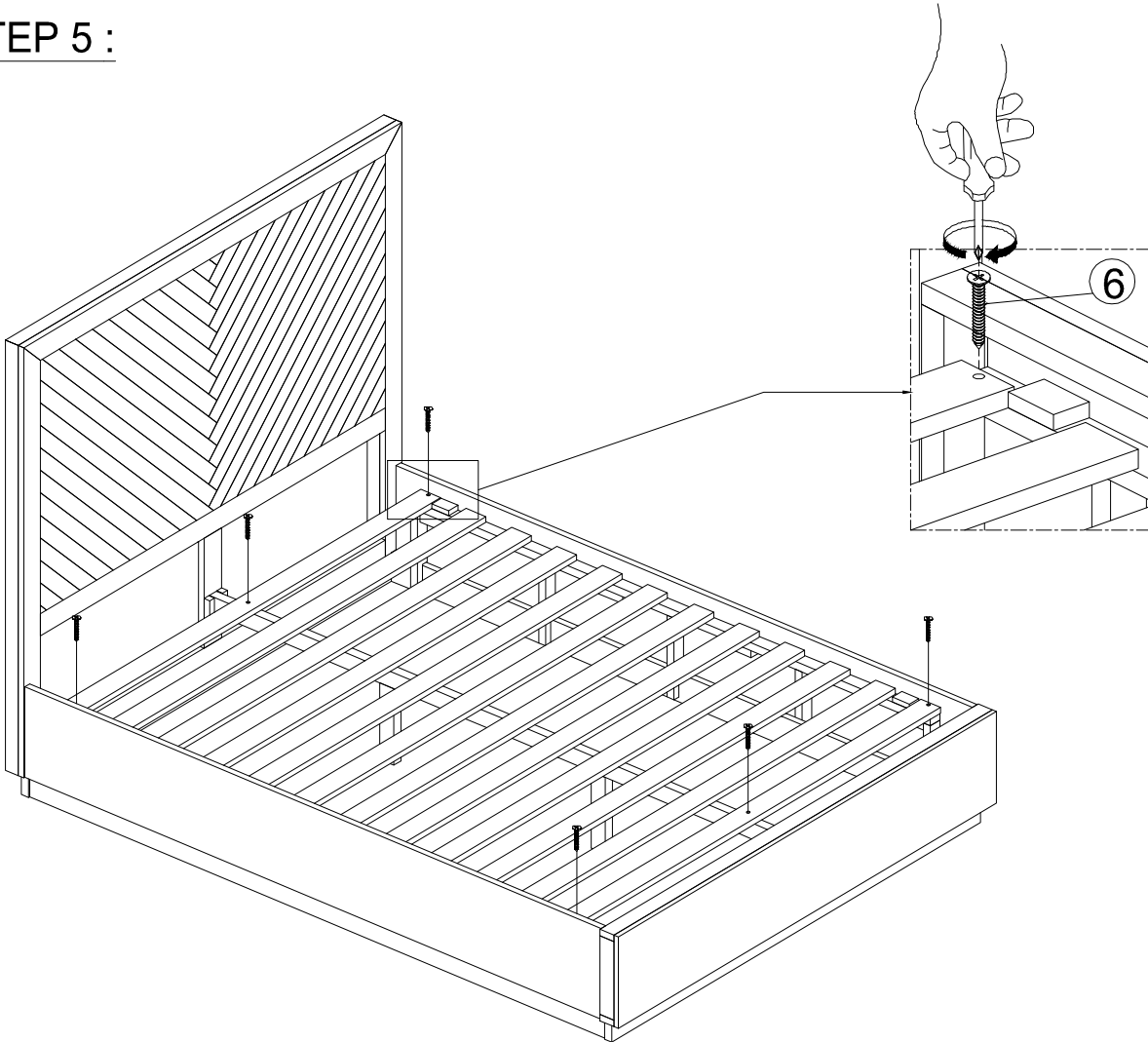


## STEP 4 :



# FULL/QUEEN PLATFORM BED ASSEMBLY INSTRUCTIONS

## STEP 5 :

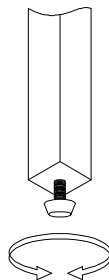


### **INSTRUCTIONS FOR ADJUSTING LEVELER:**

Position the bed in your space and locate the leveler under each support leg.

Turn the leveler counter-clockwise to extend the leveler and clockwise to retract it.

Adjust each leveler until each support leg is applying equal, upward pressure on the bed support slat.



### **MAINTENANCE INSTRUCTION:**

- Remove box spring and mattress before moving your bed.
- Lift your bed when moving it. Dragging can damage the leg support.
- Readjust levelers after moving your bed.