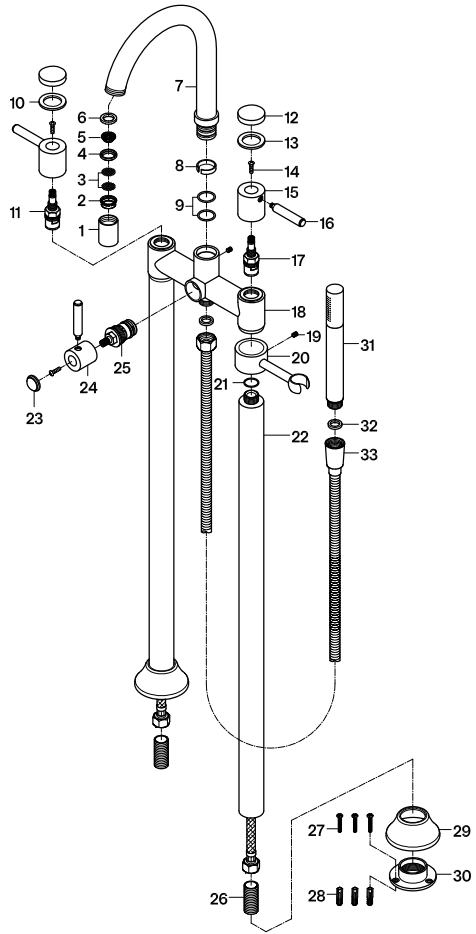
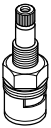
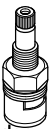

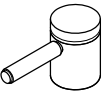


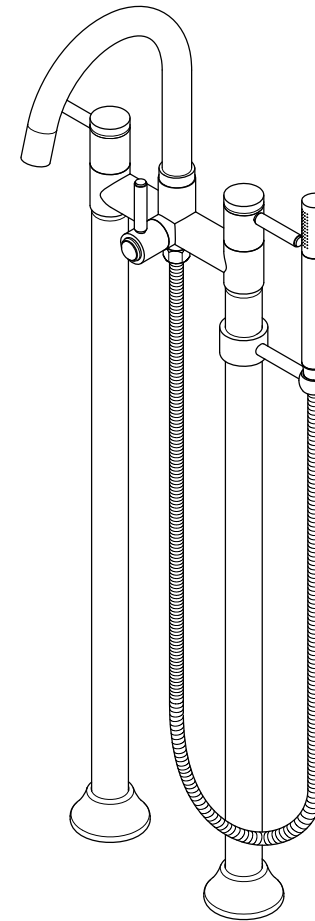


Parts:



Replacement Parts:

-  Hot Cartridge: KSRP8351HC
-  Cold Cartridge: KSRP8351CC
-  Diverter Cartridge: KSRP8351DC
-  Hot Handle: KSH8351DLH
-  Cold Handle: KSH8351DLC
-  Diverter Handle: KSDH8351



CARE AND MAINTENANCE OF YOUR FAUCET

Your KINGSTON faucet has been finished to the most strict standards; however, due to the high content of minerals in the water, your finish may appear dull and tarnished after time. These are some do's and don'ts to maintain the luster on your faucet for many years to come.

DO

1. Use a silicon based caulking when installing.
2. Clean your faucet with only a mild soap and water solution.
3. Dry your faucet after using it.
4. Give it a coat of Carnuba Wax periodically.

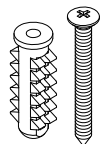
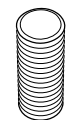
DON'T

1. Use plumbers putty when installing the faucet.
2. Use any abrasive cleaning agents.

It may seem like a very simple and short list but it is that simple to maintain your faucet, looking shiny and new.

If your faucet is already looking somewhat dull and tarnished, before replacing it, try cleaning it with a 50/50 solution of vinegar and water, you may need to soak some rags and wrap around those stubborn areas, leave overnight and rinse completely in the morning, apply Carnuba wax once you have removed the mineral deposits.

Parts:

Screw & Anchor	Adaptor
	
6 Pcs	2 Pcs

www.kingstonbrass.com

TOLL-FREE CUSTOMER SERVICE: 1-877-2-KBRASS
 TECHNICAL SUPPORT E-mail: service@kingstonbrass.com
 12775 Reservoir Street, Chino, CA 91710

NOTICE

Failure to follow all directions may cause leaks which may result in water damage

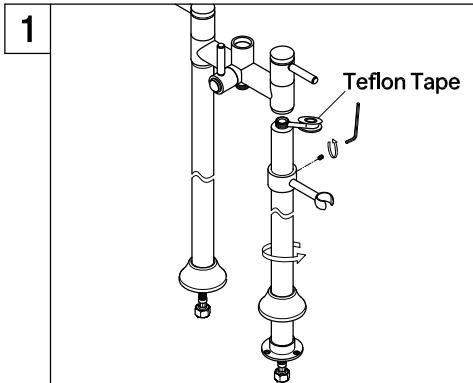


INSTALLATION INSTRUCTIONS

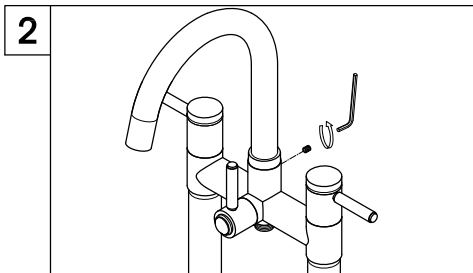
Floor Mount Roman Tub Filler with Handshower

BEFORE BEGINNING INSTALLATION:

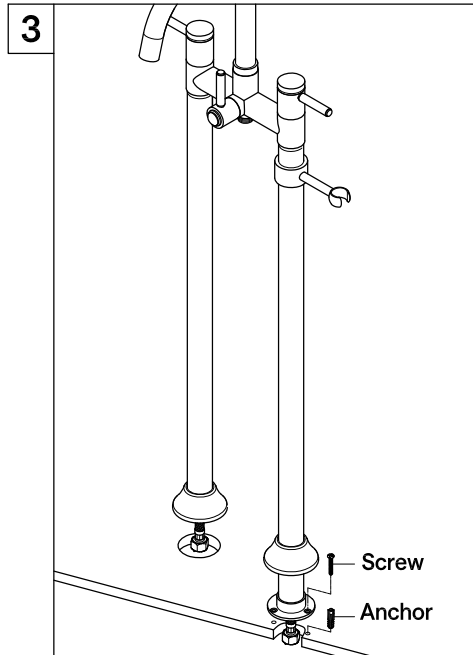
1. For Best Results, All Work should be done by a licensed plumber.
2. This faucet should be located away from traffic areas; impact both by foot traffic or floor cleaning equipment may damage the faucet, and potentially cause a leak which may result in water damage.
3. Please read installation instructions thoroughly, make sure that you have all the required tools and supplies needed to complete this installation.
4. Due to the application and design of this faucet, extensive consideration should be given to its installation.
5. Flush all supply lines prior to installation.
6. Shut off both supply lines after flushing.
7. Installation of this faucet requires access below floor level, depending on field conditions; you may need to build a platform if building on concrete slab or on a second floor.
8. Prepare the location by roughing in 1/2" flexible supply lines at 7" center to center.



1. Slide Flanges and handshower support bracket, thread mounting flange and apply Teflon tape to threads on risers, thread risers to the bottom of faucet body, secure handshower support bracket at the desired location by tightening set screw in the back.



2. Install spout onto faucet body by gently pressing spout into faucet body, secure by tightening set screw in the back of the faucet body.



3. Temporarily place faucet at the location where it will be installed and mark the location of the holes in the mounting plate. Remove faucet and drill and install the appropriate anchors at the marked location, on wood floors it may be necessary to reinforce the floor underneath by adding a 2" x4" piece of lumber to provide sufficient thickness for the screws to support the faucet adequately.

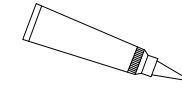
Need Tools:



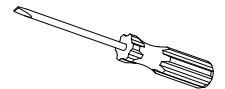
Adjustable Wrench



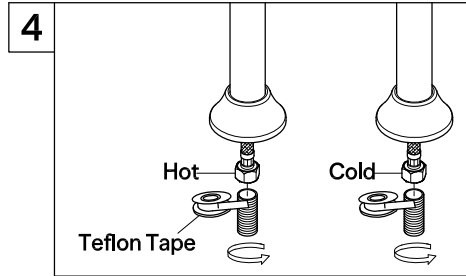
Teflon Tape



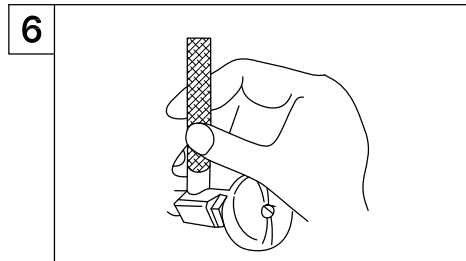
Silicone Sealant



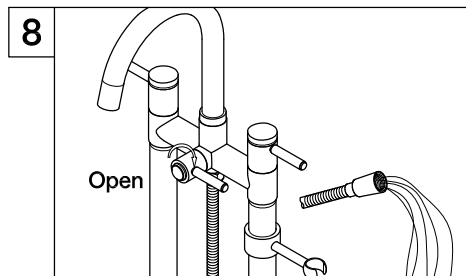
Screwdriver



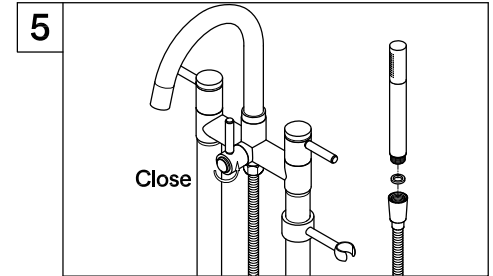
4. Apply Teflon tape to the brass nipples and thread into faucet inlet lines, thread supply lines to faucet inlet lines, install faucet by securing mounting plate to the floor, slide flange to cover mounting plate.



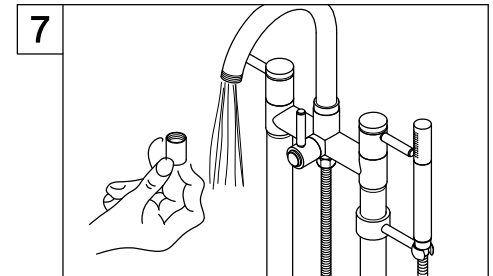
6. Turn on the water supply valves and check for leaks, especially at all supply line connections.



8. Reinstall aerator and thread handshower onto hose.



5. Install hose to handshower outlet located under the faucet bridge.



7. Remove the aerator from the spout. Turn on the faucet, let water run for at least one minute, switch the diverter to handshower mode and perform the same procedure, this will clear any debris left in the line.

Warning!!!

- Please do not lean on, step on or use this faucet as support to come in or out of the tub.
- This faucet should be located away from traffic areas; impact both by foot traffic or floor cleaning equipment, may damage the faucet and potentially cause a leak which, may result in water damage.