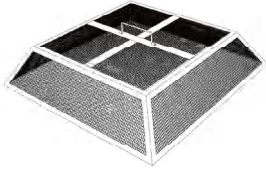


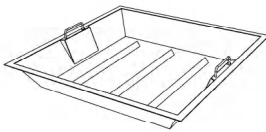
FIRE PIT

Assembly Instructions

Package contains



COVER x1



Liner x1

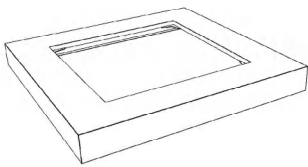
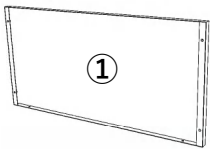
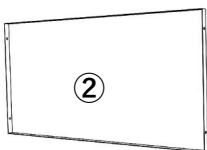


Table x1



Side panel x2



Side panel x2



Screw x12

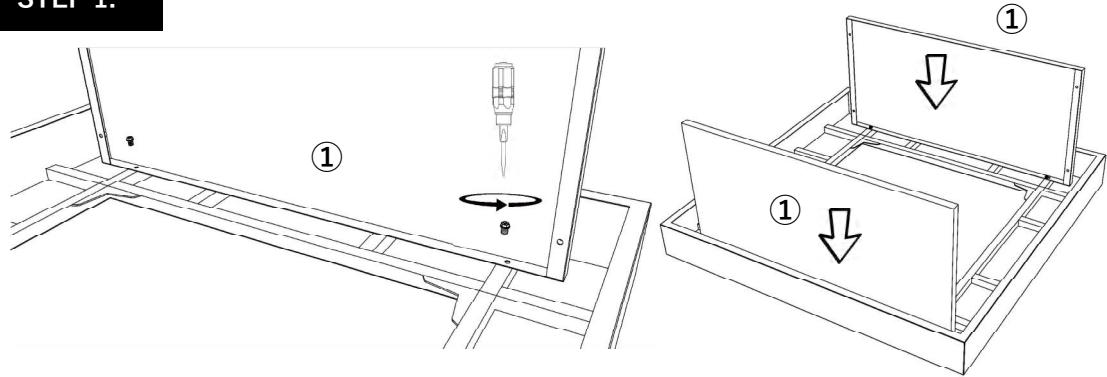


Screwdriver x1



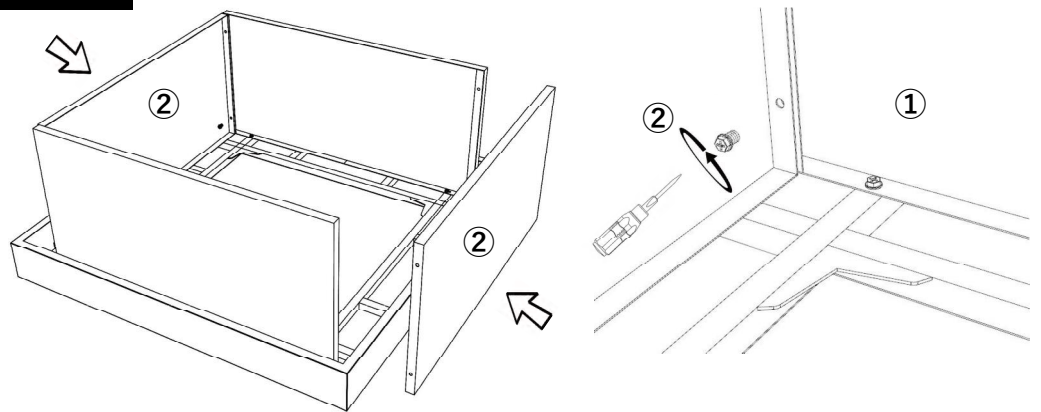
Hook x1

STEP 1:



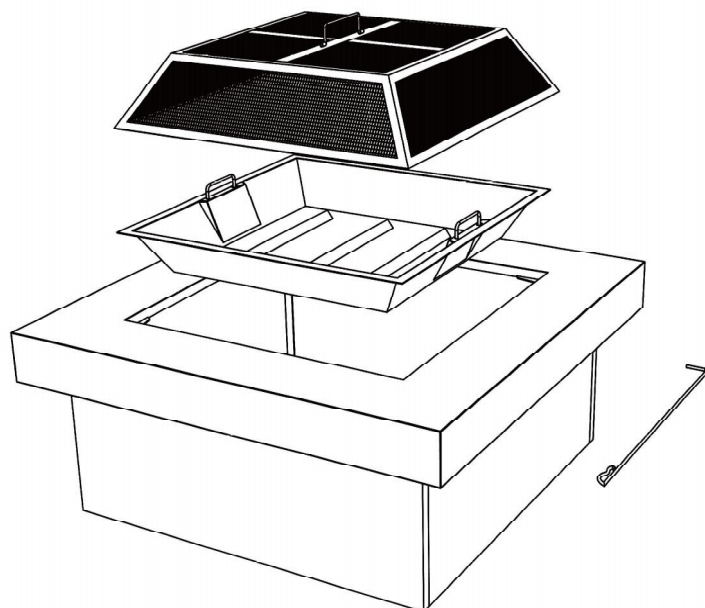
Invert the table top, remember to pad the items below, So as not to scratch the desktop,

STEP 2:



Screw the side panels in turn

STEP 3:



It takes two people to rotate the fire pit back, attach the liner and lid, and it's ready to use