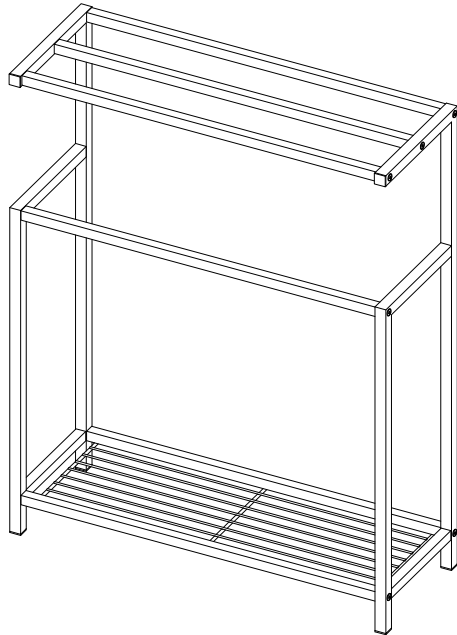


# KINGSTON

KITCHEN & BATH

## Freestanding Iron Frame Towel Rack Installation



### Parts:

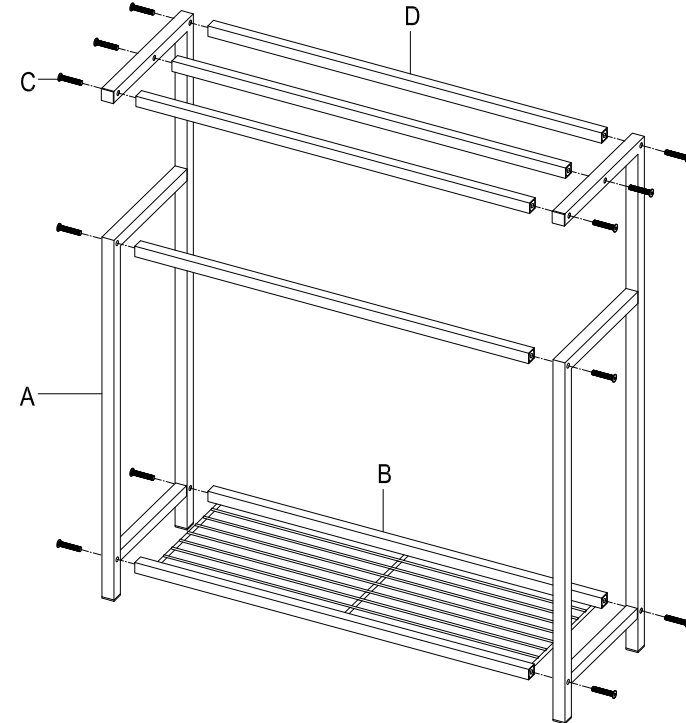
□ Shape	Base Rack	Straight Tube
<b>A</b>  2 Pcs	<b>B</b>  1 Pc Screw	<b>D</b>  4 Pcs
	<b>C</b>  12 Pcs	

www.kingstonbrass.com  
TOLL-FREE CUSTOMER SERVICE: 1-877-2-KBRASS  
TECHNICAL SUPPORT E-mail: service@kingstonbrass.com  
12775 Reservoir Street, Chino, CA 91710

### TOOLS REQUIRED



Allen Wrench



### Installation Steps:

- Step 1. Locate the base rack (part B) and the □ shape (part A), secure together using the provided screws (part E) and Allen wrench. Repeat for the other end.
- Step 2. After completing step 1 with the straight tube (part C) and the □ shape (part A), secure together using the provided screws (part D) and Allen wrench. Repeat on other side and with the remaining straight tube.

### Cleaning

Clean with a damp cloth only.  
Avoid using metal or abrasive polishes.