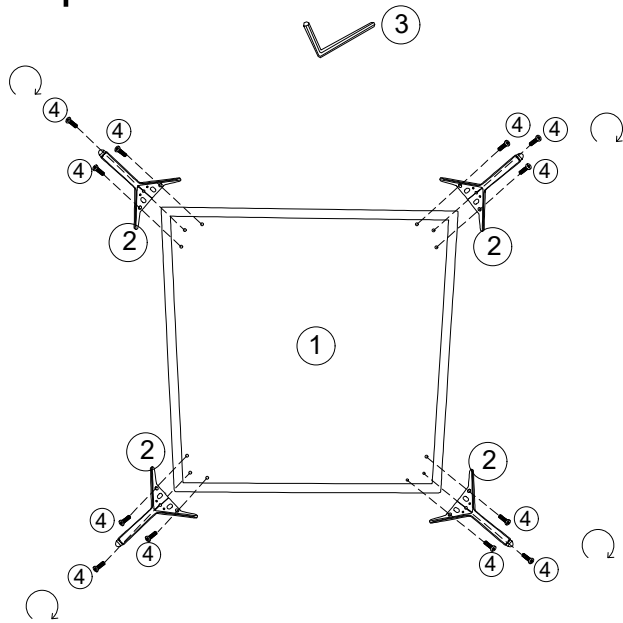
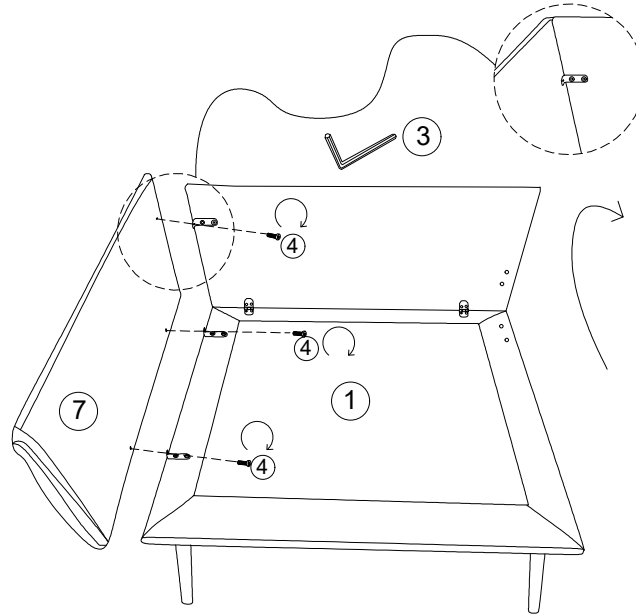


step1



step2

Attention: Before installing the side panel, lift the backrest up first



Installation 143-1

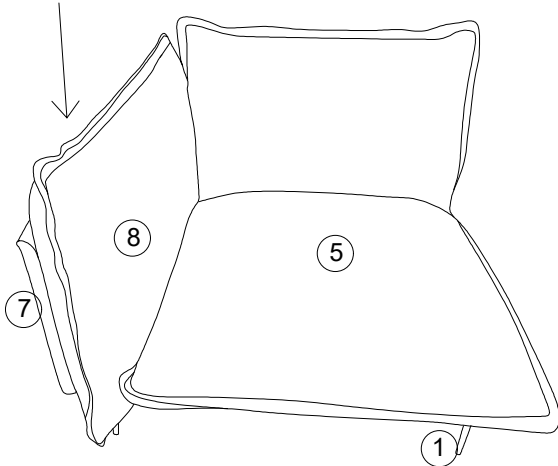
Right sofa

To avoid scratches and swallowing parts, please do not install by children!

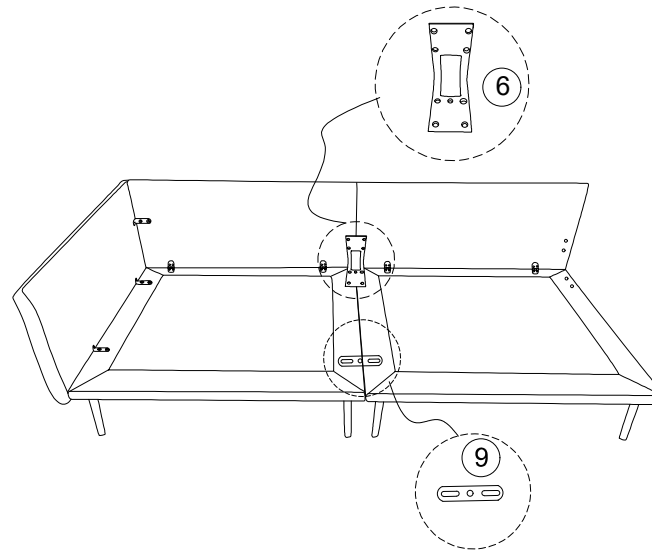
step3 final

Attention: Place ⑧ first and then ⑤
Place the seat cushion on the base

Note: The side with the zipper should be facing backward.

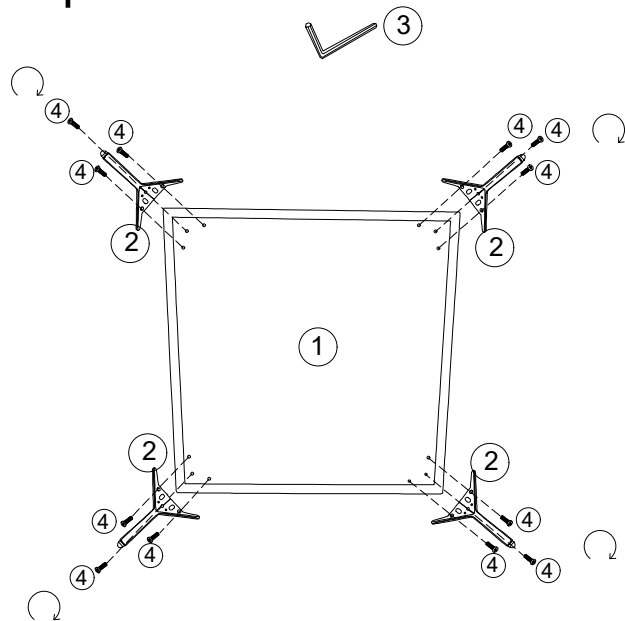


Addendum: The seat components need to be installed with L-shaped corner codes for connection and fixation



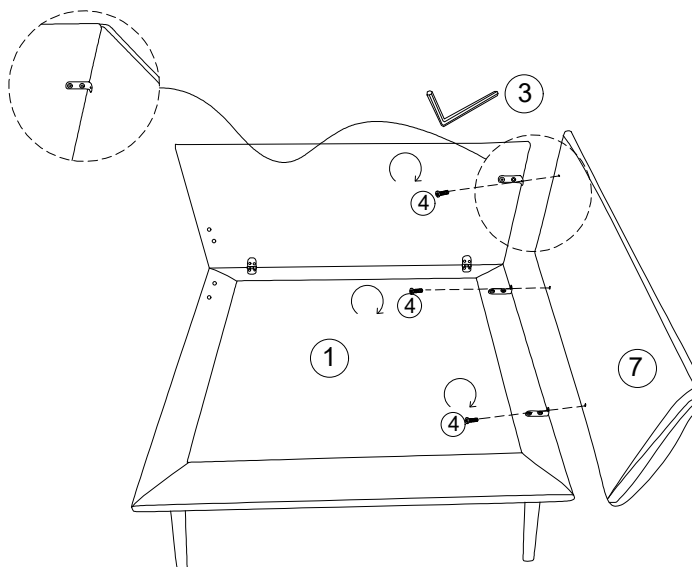
NO	Image	Parts Name	Size	Qty
①		base		1pcs
②		Legs		4pcs
③		Hexagonal screw tap		1pcs
④		Hexagonal socket screw M8X30mm		25pcs
⑤		Seat cushion		1pcs
⑥		L-shaped corner code		1pcs
⑦		Side plate		1pcs
⑧		Armrest bag		1pcs
⑨		Connecting piece		1pcs

step1



step2

Attention: Before installing the side panel, lift the backrest up first

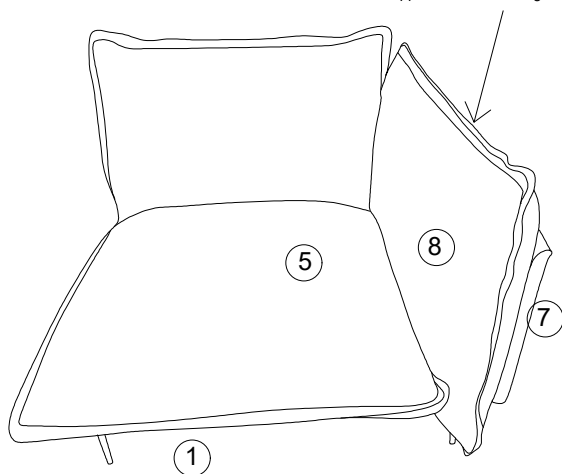


step3

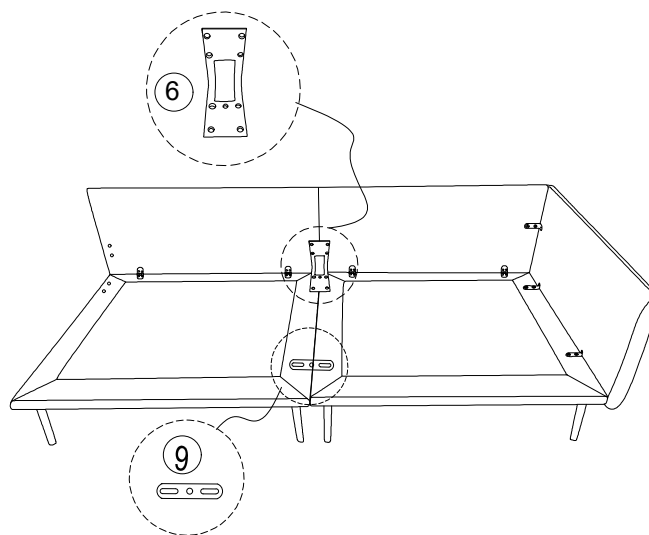
Attention: Place 8 first and then 5
Place the seat cushion on the base

final

Note: The side with the zipper should be facing backward.



Addendum: The seat components need to be installed with L-shaped corner codes for connection and fixation



Installation 143-2

Left sofa

To avoid scratches and swallowing parts, please do not install by children!

NO	Image	Parts Name	Size	Qty
1		base		1pcs
2		Legs		4pcs
3		Hexagonal screw tap		1pcs
4		Hexagonal socket screw	M8X30mm	15pcs
5		Seat cushion		1pcs
6		L-shaped corner code		
7		Side plate		1pcs
8		Armrest bag		1pcs
9		Connecting piece		