

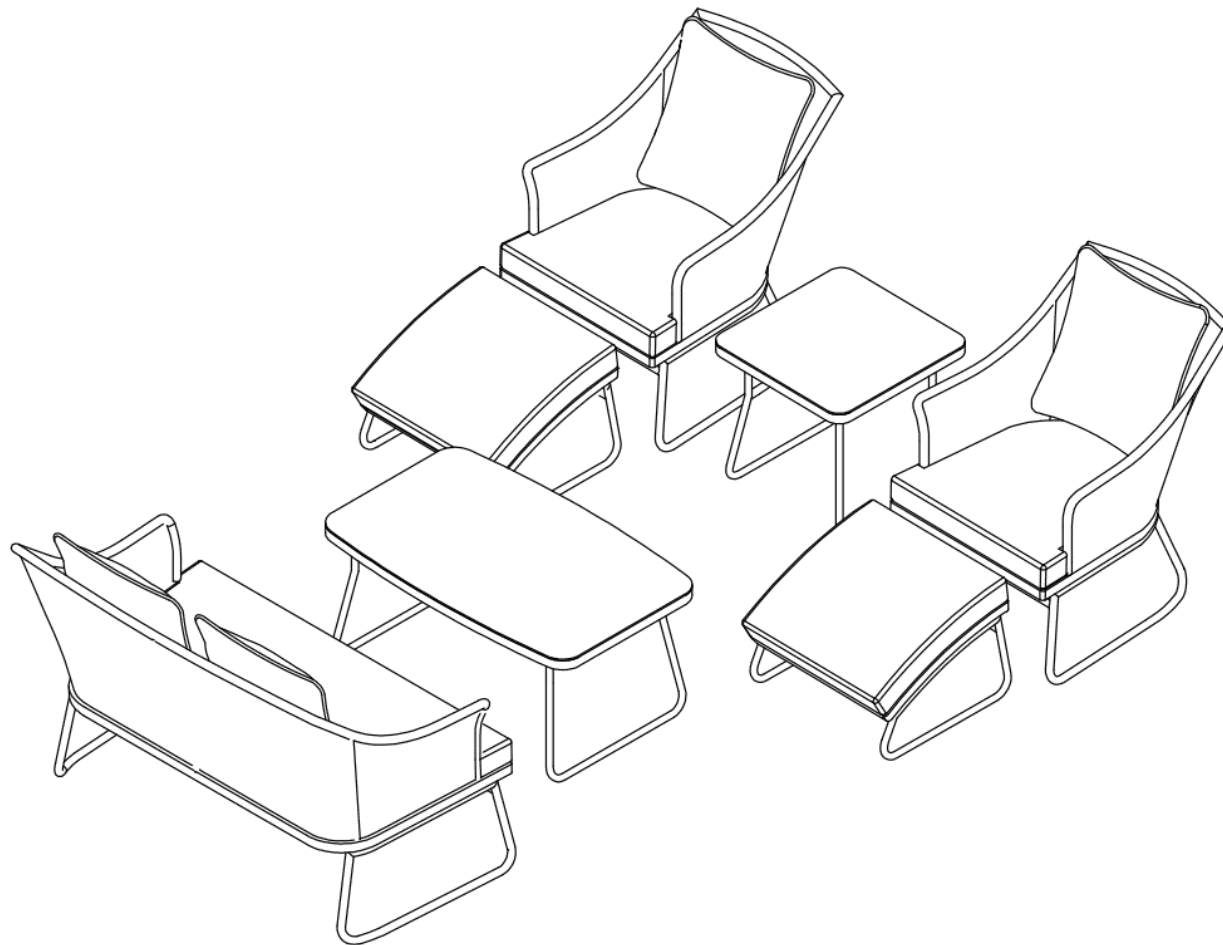
CARE AND MAINTENANCE

Spot clean using a mild water-free solvent. Only a professional cleaner should undertake a complete overall cleaning.

The use of steam or water-based cleaners may cause excessive shrinking or staining.

NOTICE

- * Please make sure that you have all parts indicated before you begin assembly of this item
- * This item should be assembled on a soft surface to prevent scratching the finish during assembly
- * This item may require periodic tightening



ITEM NO.:PAT9019

ProductDimensions:

Single Chair: W26.4"xD29.3"xH31.9"

Loveseat: W48.4"xD29.3"xH31.9"

Coffee Table: W37.4"xD21.7"xH16.3"

Side Table: W18.5"xD1.5"xH19.3"

FS: W20.5"xD20.9"xH12.6"

Weight Capacity:

Single Chair: 220lbs

Loveseat: 440lbs

Table: 110lbs

FS:110lbs

PREPARATION

Before beginning assembly of product, make sure all parts are present. Compare parts with package contents list and hardware contents list. If any part is missing or damaged, do not attempt to assemble the product.

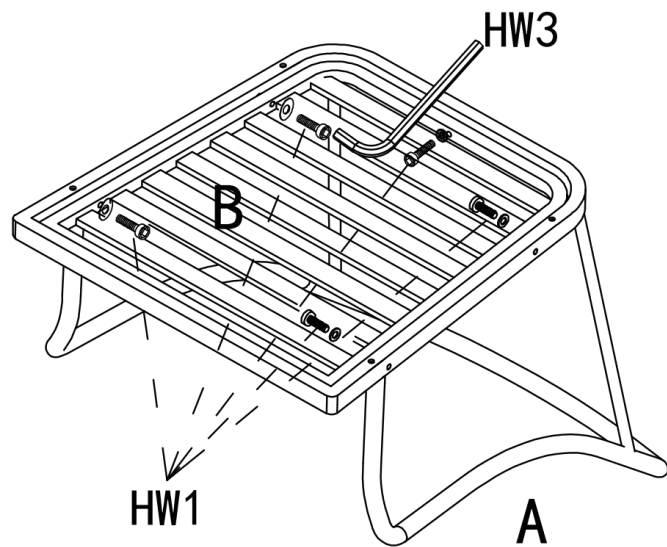
Estimated Assembly Time: 45 minutes.

Tools Required for Assembly (included): Allen Key

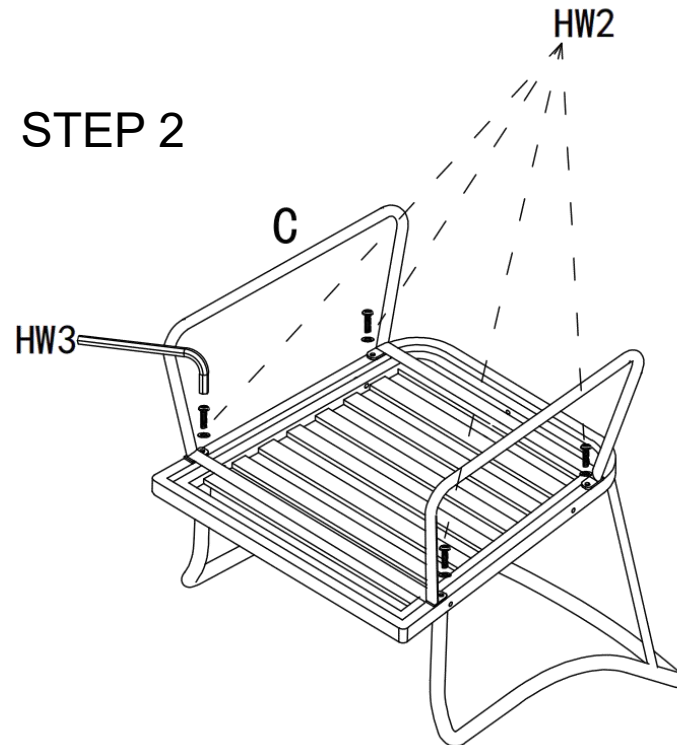
Gradually tighten bolts in a star pattern: tighten one bolt and then the one opposite from it until all bolts are tightened.

Chair Assemble

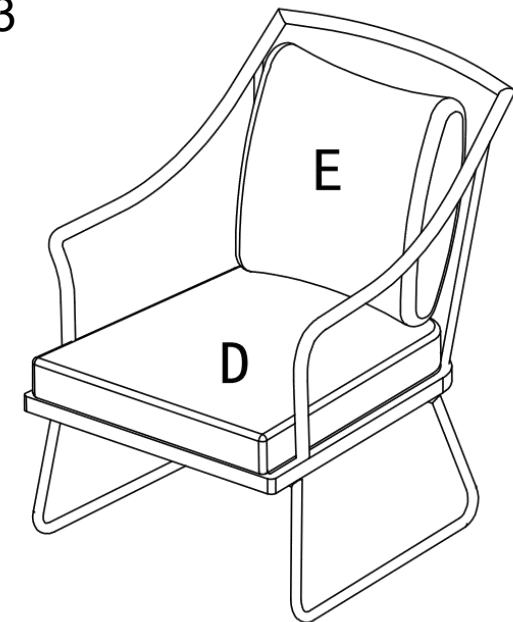
STEP 1




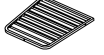

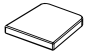


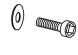

STEP 2



STEP 3



Part List And Hardware List

PIECE	DESCRIPTION	PICTURE	QUANTITY
A	Chair seat		2
B	seat board		2
C	Chair leg		2
D	Cushion		2
E	Back cushion		2
HW1	Bolt and washer M6x35		10
HW2	Bolt and washer M6x15		8
HW3	Allenkey		1

PREPARATION

Before beginning assembly of product, make sure all parts are present. Compare parts with package contents list and hardware contents list. If any part is missing or damaged, do not attempt to assemble the product.

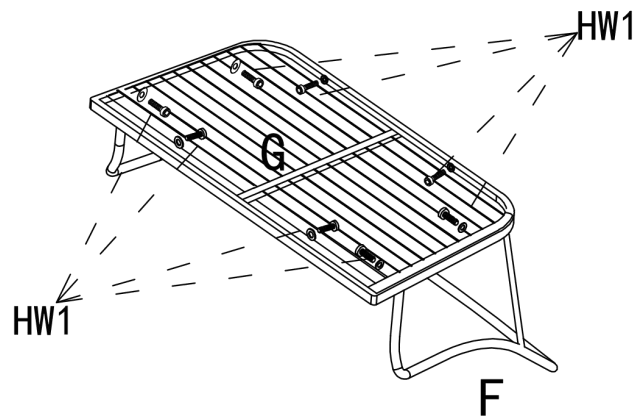
Estimated Assembly Time: 45 minutes.

Tools Required for Assembly (included): Allen Key

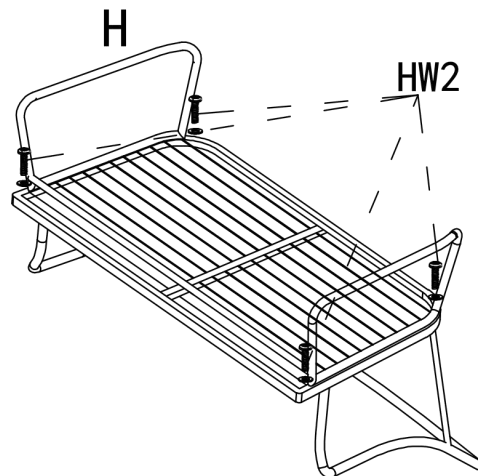
Gradually tighten bolts in a star pattern: tighten one bolt and then the one opposite from it until all bolts are tightened.

Loveseat Assemble

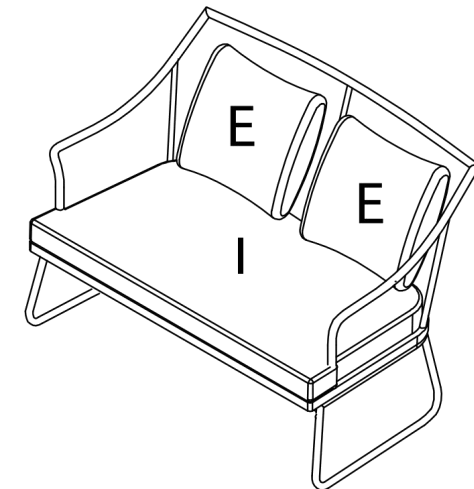
STEP 1











STEP 2



STEP 3



Part List And Hardware List

PIECE	DESCRIPTION	PICTURE	QUANTITY
F	Loveseat		1
G	seat board		1
H	leg		1
I	Cushion		1
E	Back cushion		2
HW1	Bolt and washer M6x35		8
HW2	Bolt and washer M6x15		4
HW3	Allenkey		1


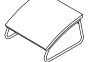
PREPARATION

Before beginning assembly of product, make sure all parts are present. Compare parts with package contents list and hardware contents list. If any part is missing or damaged, do not attempt to assemble the product.

Estimated Assembly Time: 45 minutes.

Tools Required for Assembly (included): Allen Key

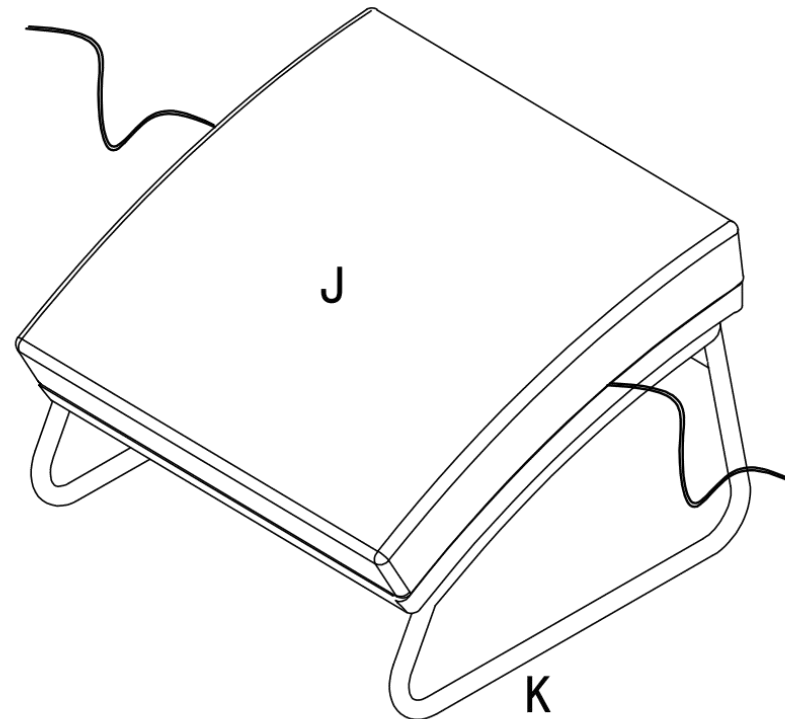
Part List And Hardware List

PIECE	DESCRIPTION	PICTURE	QUANTITY
J	Loveseat		1
K	seat board		1

Gradually tighten bolts in a star pattern: tighten one bolt and then the one opposite from it until all bolts are tightened.

FS Assemble

STEP 1



PREPARATION

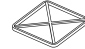




Before beginning assembly of product, make sure all parts are present. Compare parts with package contents list and hardware contents list. If any part is missing or damaged, do not attempt to assemble the product.

Estimated Assembly Time: 45 minutes.

Tools Required for Assembly (included): Allen Key

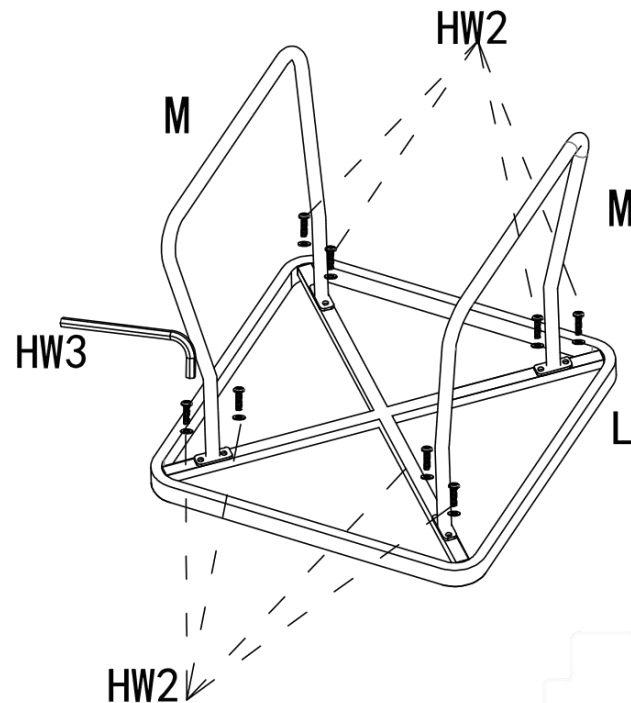
Gradually tighten bolts in a star pattern: tighten one bolt and then the one opposite from it until all bolts are tightened.

Part List And Hardware List

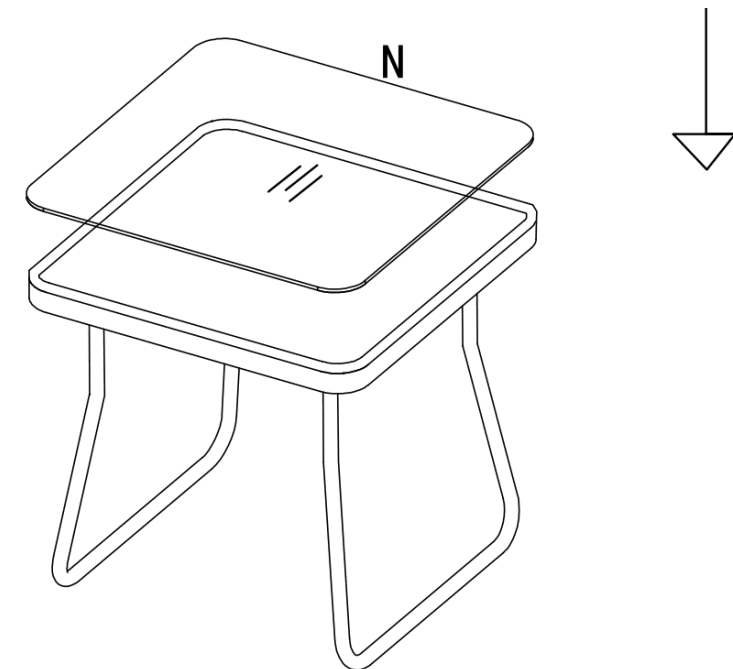
PIECE	DESCRIPTION	PICTURE	QUANTITY
L	Table Top		1
M	Table Leg		2
N	Table glass		1
HW2	Bolt and washer M6x15		8
HW3	Allenkey		1

Side Table Assemble

STEP 1



STEP 2



PREPARATION

Before beginning assembly of product, make sure all parts are present. Compare parts with package contents list and hardware contents list. If any part is missing or damaged, do not attempt to assemble the product.

Estimated Assembly Time: 45 minutes.

Tools Required for Assembly (included): Allen Key

Gradually tighten bolts in a star pattern: tighten one bolt and then the one opposite from it until all bolts are tightened.

Part List And Hardware List

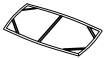




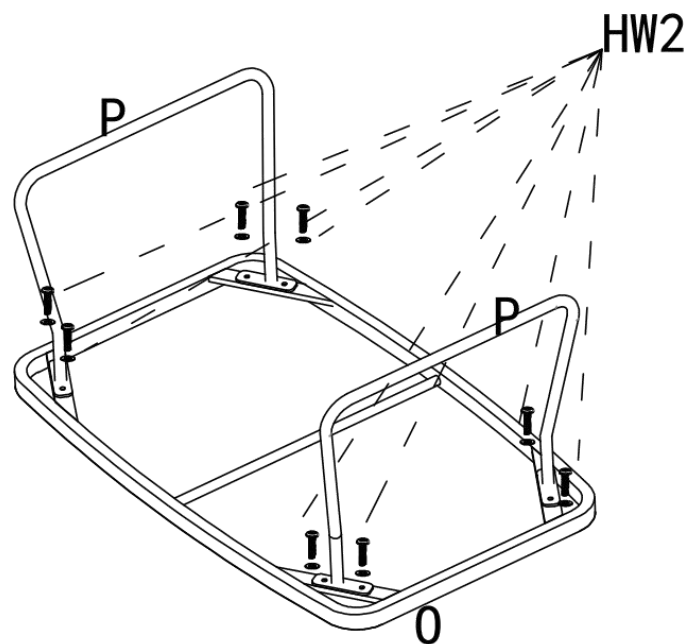
PIECE	DESCRIPTION	PICTURE	QUANTITY
O	Table Top		1
P	Table Leg		2
Q	Table glass		1
HW2	Bolt and washer M6x15		8
HW3	Allenkey		1

Table Assemble

STEP 1



STEP 2

