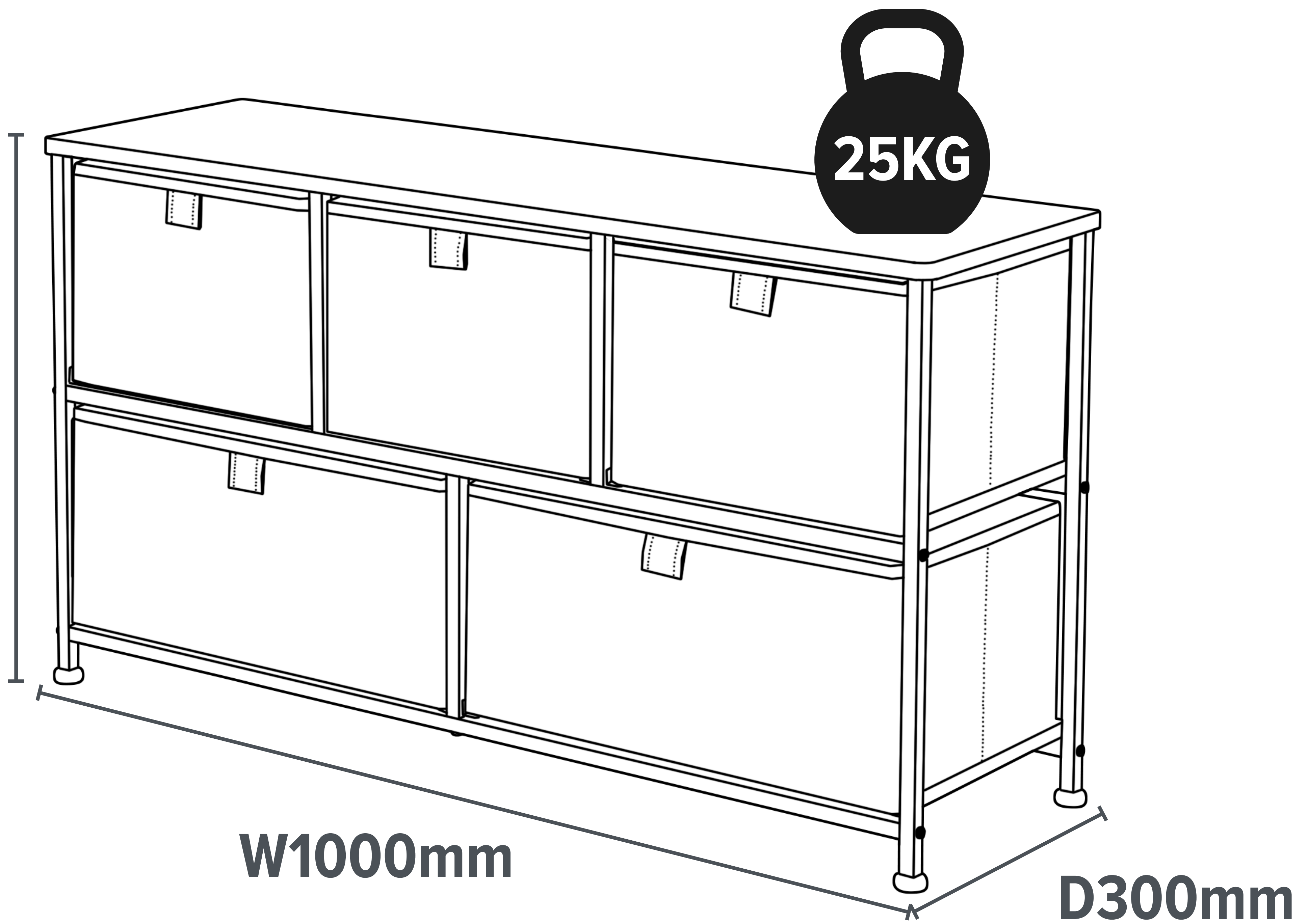


**H550mm**



**W1000mm**

**D300mm**

**25KG**