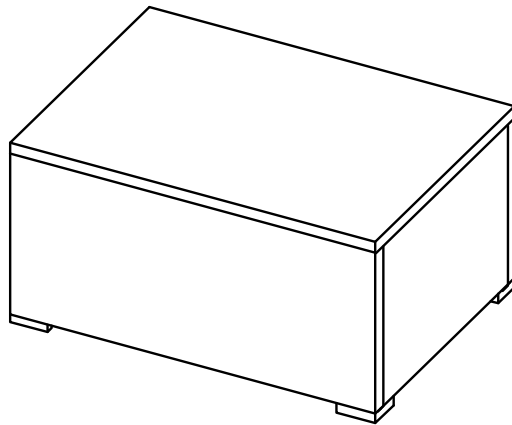
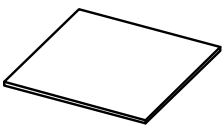
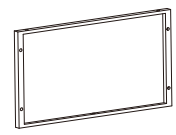
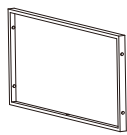


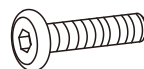
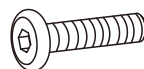



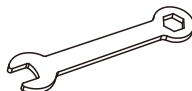

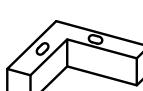
Outdoor Wicker Coffee Table



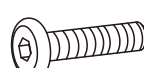
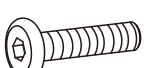



PART LIST

| | | |
|---|---|---|
| A  | B  | C  |
| Wicker Top 1 PC | Side Panel 2 PCS | End Panel 2 PCS |

HARDWARE LIST

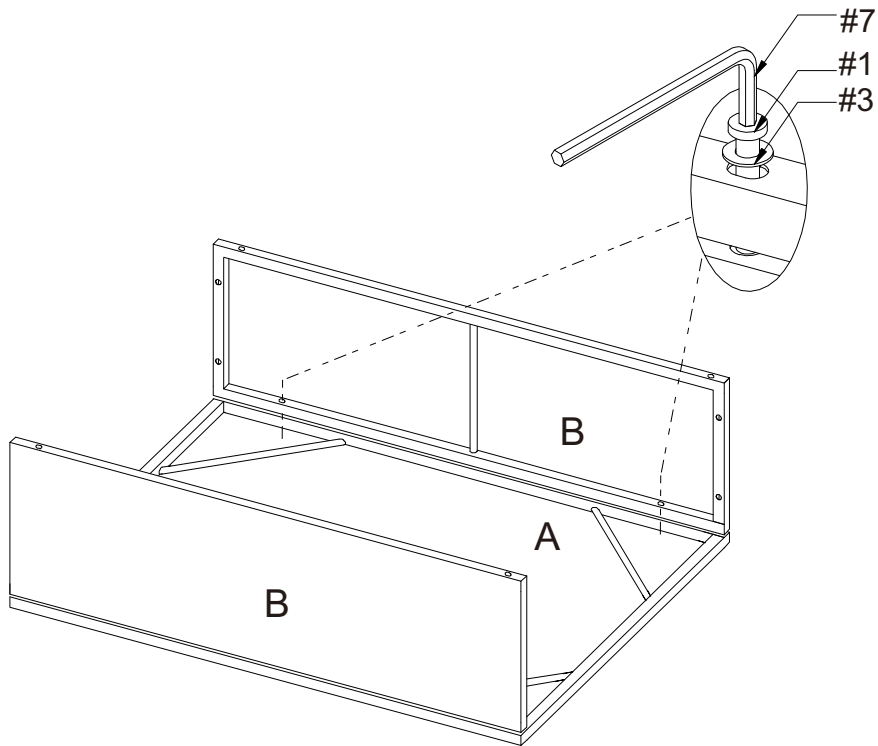
| | | | | |
|---|---|---|---|--|
| #1  M6*30mm | #2  M6*35mm | #3  D18mm | #4  D12mm | #5  M6mm |
| Short Bolt 12 PCS | Long Bolt 8 PCS | Washer 12 PCS | Small Washer 8 PCS | Nut 8 PCS |
| #6  M6mm | #7  M6mm | #8  | | |
| Wrench 1 PC | Allen Key 1 PC | L Foot 4 PCS | | |

EXTRA HARDWARE LIST

| | | | | |
|---|---|---|---|--|
| #1  M6*30mm | #2  M6*35mm | #3  D18mm | #4  D12mm | #5  M6mm |
| Short Bolt 1 PC | Long Bolt 1 PC | Washer 1 PC | Small Washer 1 PC | Nut 1 PC |

Step 1. Lay wicker top (part A) on a soft flat surface, such as carpet, as shown below. Attach side panels (part B) to top panel (part A) using short bolts (part #1), washers (part #3) and allen key (part #7).

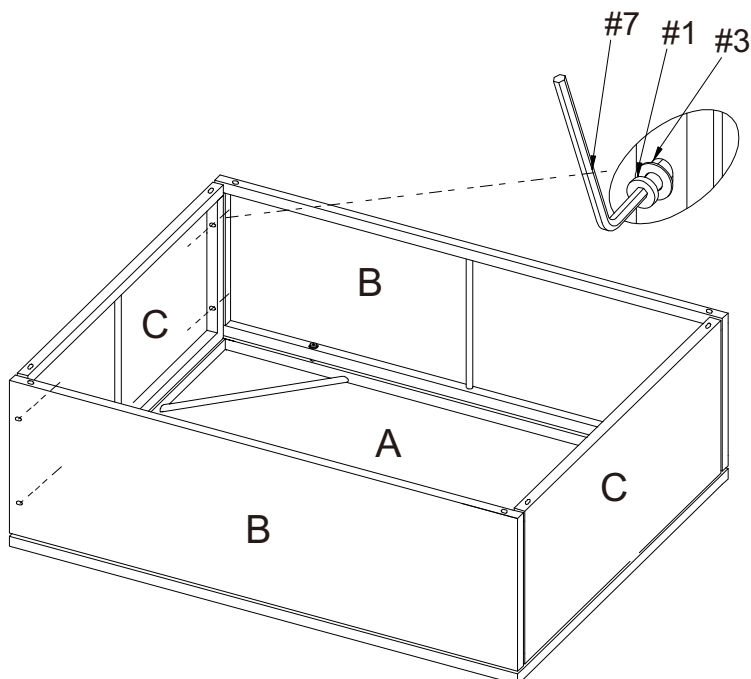
NOTE: Please do not fully tighten bolts until unit is fully assembled.






| | | |
|----|---|----|
| #1 |  | x4 |
| #3 |  | x4 |
| #7 |  | x1 |

Step 2. Attach end panels (part #C) to assembled unit (parts A&B) using short bolts (part #1), washers (part #3) and allen key (part #7).

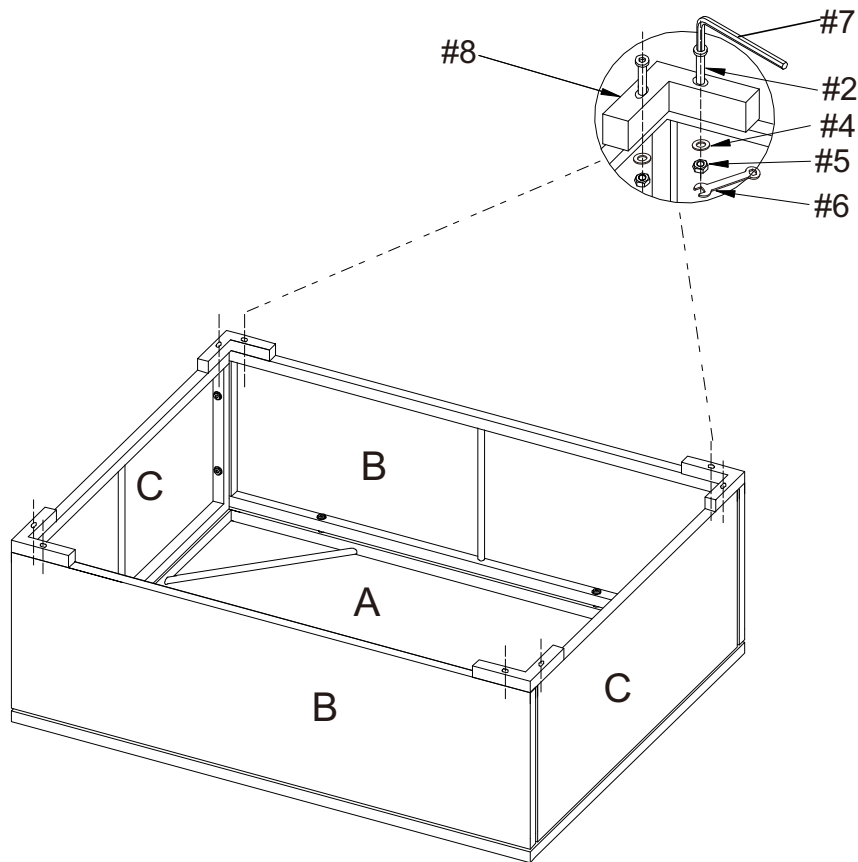
NOTE: Please do not fully tighten bolts until unit is fully assembled.









| | | |
|----|---|----|
| #1 |  | x8 |
| #3 |  | x8 |
| #7 |  | x1 |

Step 3. Attach L feet (part #8) to assembled unit (parts B&C) using long bolts (part #2),small washers (part #4),nuts (part #5),wrench (part #6) and allen key (part #7).

NOTE: Please fully tighten all bolts at this time.



| | | |
|----|---|----|
| #2 |  | x8 |
| #4 |  | x8 |
| #7 |  | x1 |
| #8 |  | x4 |
| #5 |  | x8 |
| #6 |  | x1 |

Step 4. Carefully turn the coffee table upright.

