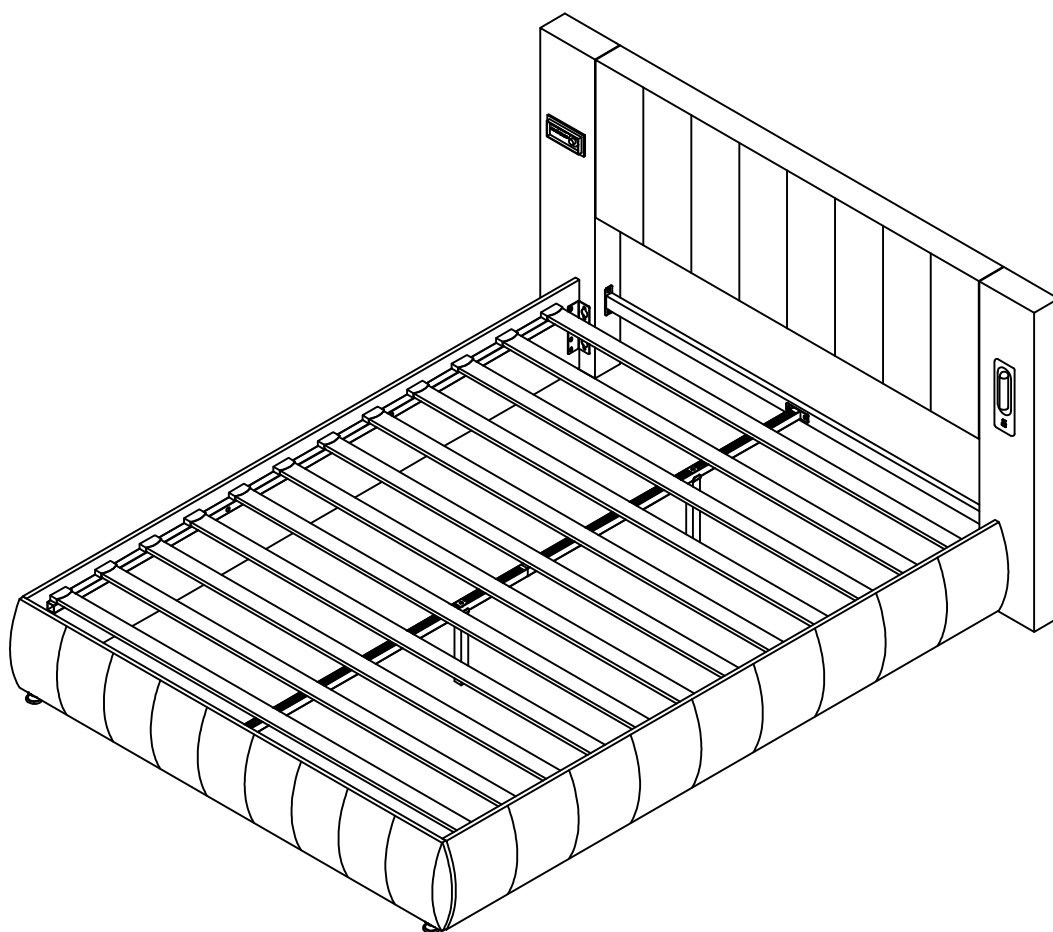


# ASSEMBLY INSTRUCTIONS

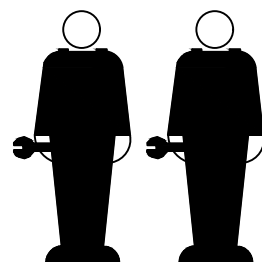
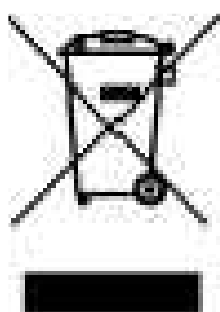
Item Number N604P247562G  
N604P247563G

This set comes in 2 boxes. If you do not receive a full 2 boxes, please contact our customer service.

**Upholstered bed-150\*200CM**



**UK  
CA**



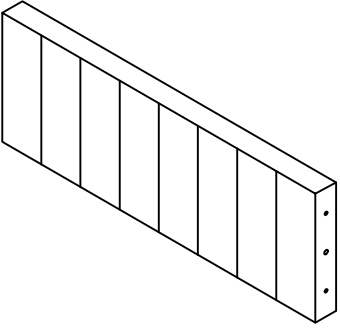
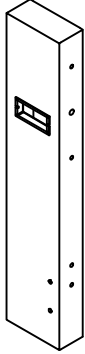
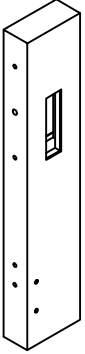
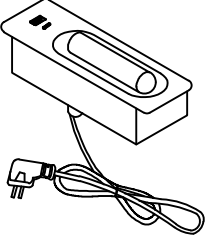
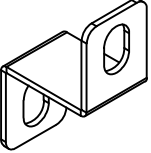
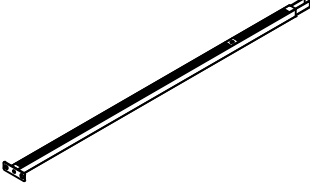

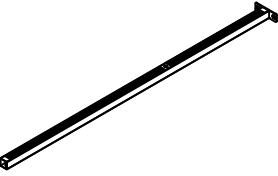
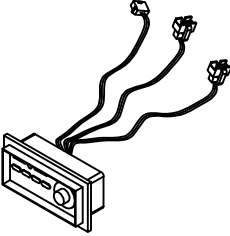

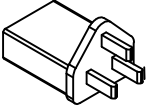
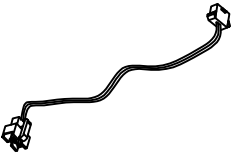
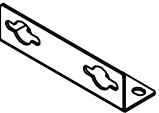
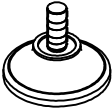
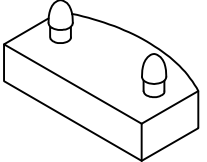
60min

# INSTRUCTIONS

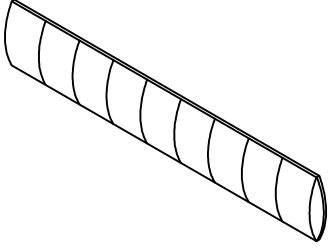
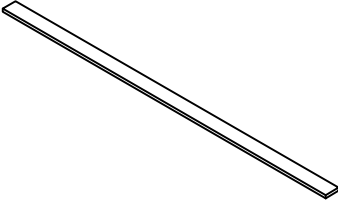
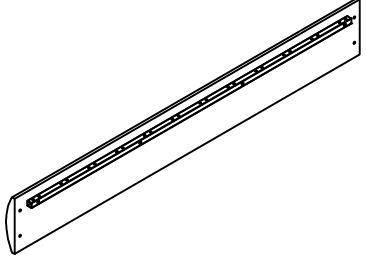
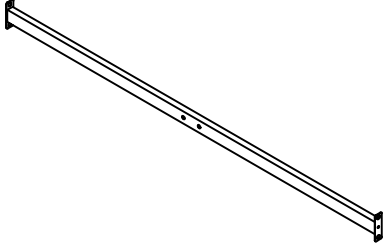
## IMPORTANT-READ CAREFULLY-RETAIN FOR FUTURE REFERENCE

- a) WARNING** -Children can become trapped between the bed and the wall, the adjoining pieces of furniture (e.g. cupboards) and the lke. To avoid risk of serious injury the distance between the safety barrier and the adjoining structure shall not exceed 75 mm or shall be more than 230 mm.
- b) WARNING**-Do not use the bed if any structural part is broken or missing; Replacement parts are between requested from the manufacturer or the store.
- c) WARNING**-Do not climb or wiggle on any non-designated structures.
- d)** it is imperative to always follow the installation instructions and manufacturer's use.
- e)** The recommended size of the mattress to be used with the bed is 150cmx200cm,maximum thickness mattress:25cm.
- f)** It is necessary to ventilate the room in order to maintain a low level moisture and prevent mold growth in the bed and its periphery.
- g)** Joining devices should always be tightened properly and regularly verified. Tighten if necessary.

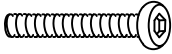
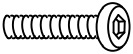

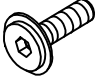



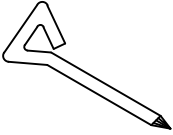
# Part list N604P247563G

A	1PC	F1	1PC	F2	1PC		
 <p>Headboard</p>		 <p>Left wing</p>		 <p>right wing</p>			
G	1PC	G1	2PCS	H	1PC	I	2PCS
 <p>Wall lamp</p>		 <p>Connector</p>		 <p>middle bar Back</p>		 <p>Support leg</p>	
J	1PC	K1	1PC	K2	1PC	K3	1PC
 <p>middle bar front</p>		 <p>loudspeaker box</p>		 <p>Power line</p>		 <p>Adapter</p>	
K4	1PC	L	4PCS	M	2PCS	O	24PCS
 <p>Extension</p>		 <p>Indices "L"</p>		 <p>Legs</p>		 <p>Plastic caps (Single)</p>	

# Part list N604P247562G

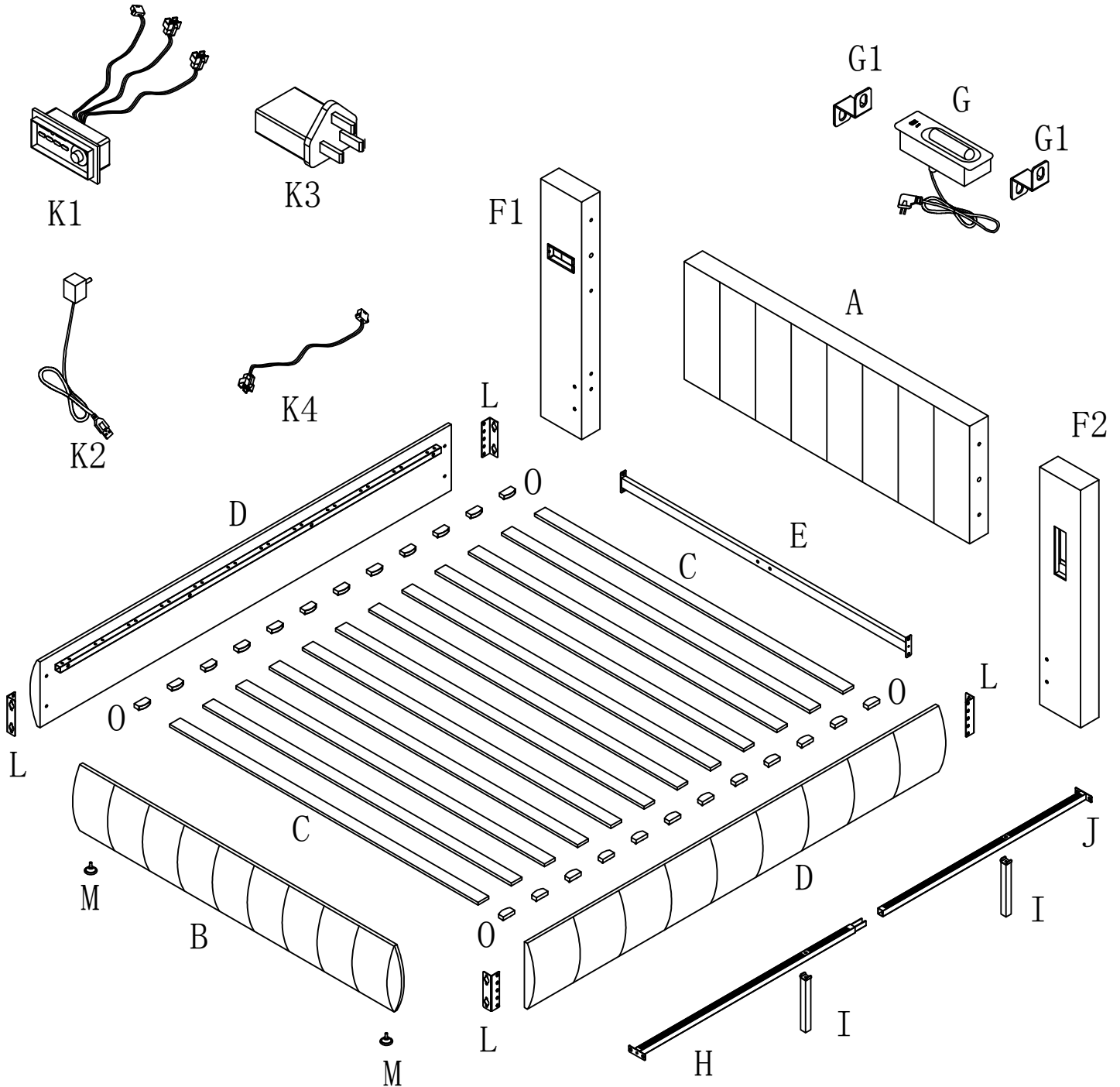
<p>B 1PC</p>  <p>Footboard</p>	<p>C 12PCS</p>  <p>lath</p>	<p>D 2PCS</p>  <p>Facing customer Side Rail</p>
<p>E 1PC</p>  <p>Bottom Rail</p>		

# Hardware list N604P247563G



<p>P 2PCS</p>  <p>M8*40mm</p>	<p>Q 4PCS</p>  <p>M8*32mm</p>	<p>R 4PCS</p>  <p>M8*25mm</p>
<p>S 22PCS</p>  <p>M8*18mm</p>	<p>T 4PCS</p>  <p>M3*15mm</p>	<p>U 4PCS</p>  <p>ø22*ø8.5</p>
<p>V 1PC</p>  <p>M5</p>	<p>W 1PC</p>  <p>M5</p>	

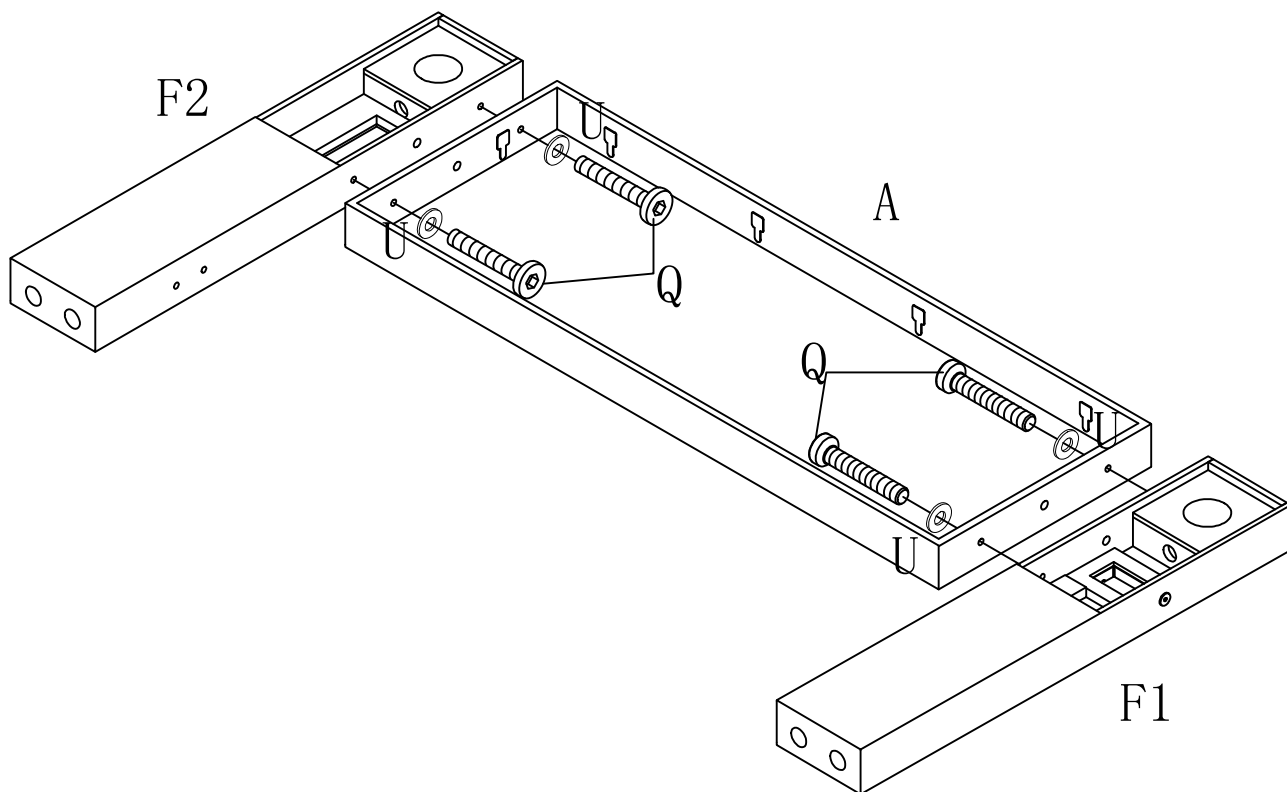
# Detail View

**NOTE: Please do not completely tighten all the hardware until the entire assembly is complete!**




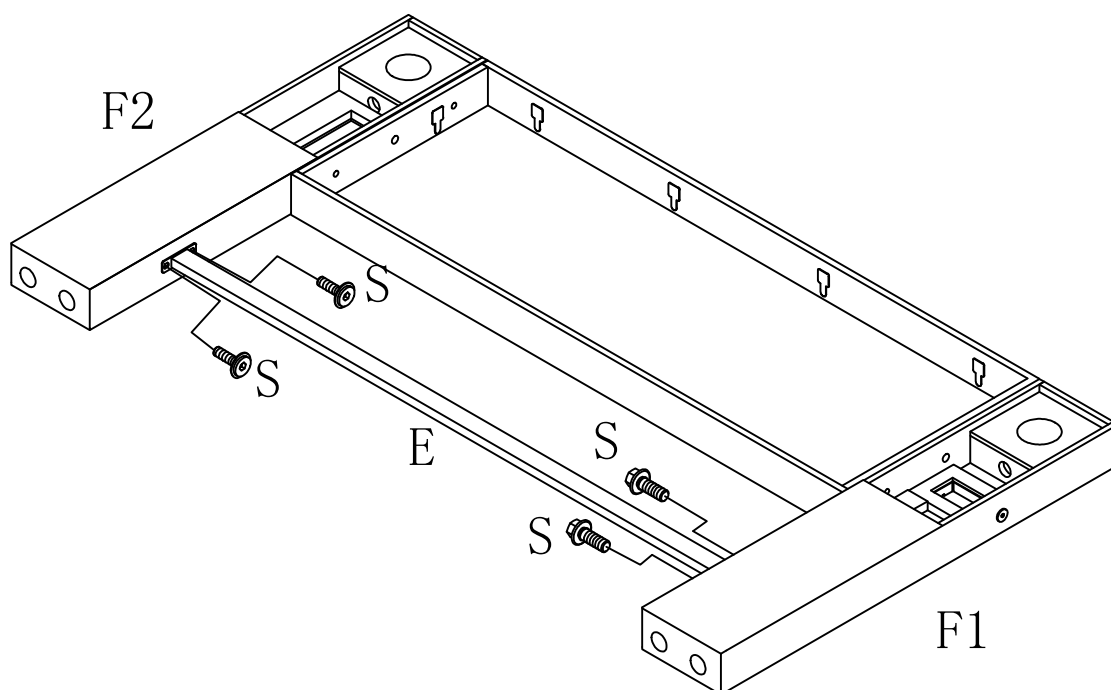
# step1

Q	U
	
2PCS	2PCS




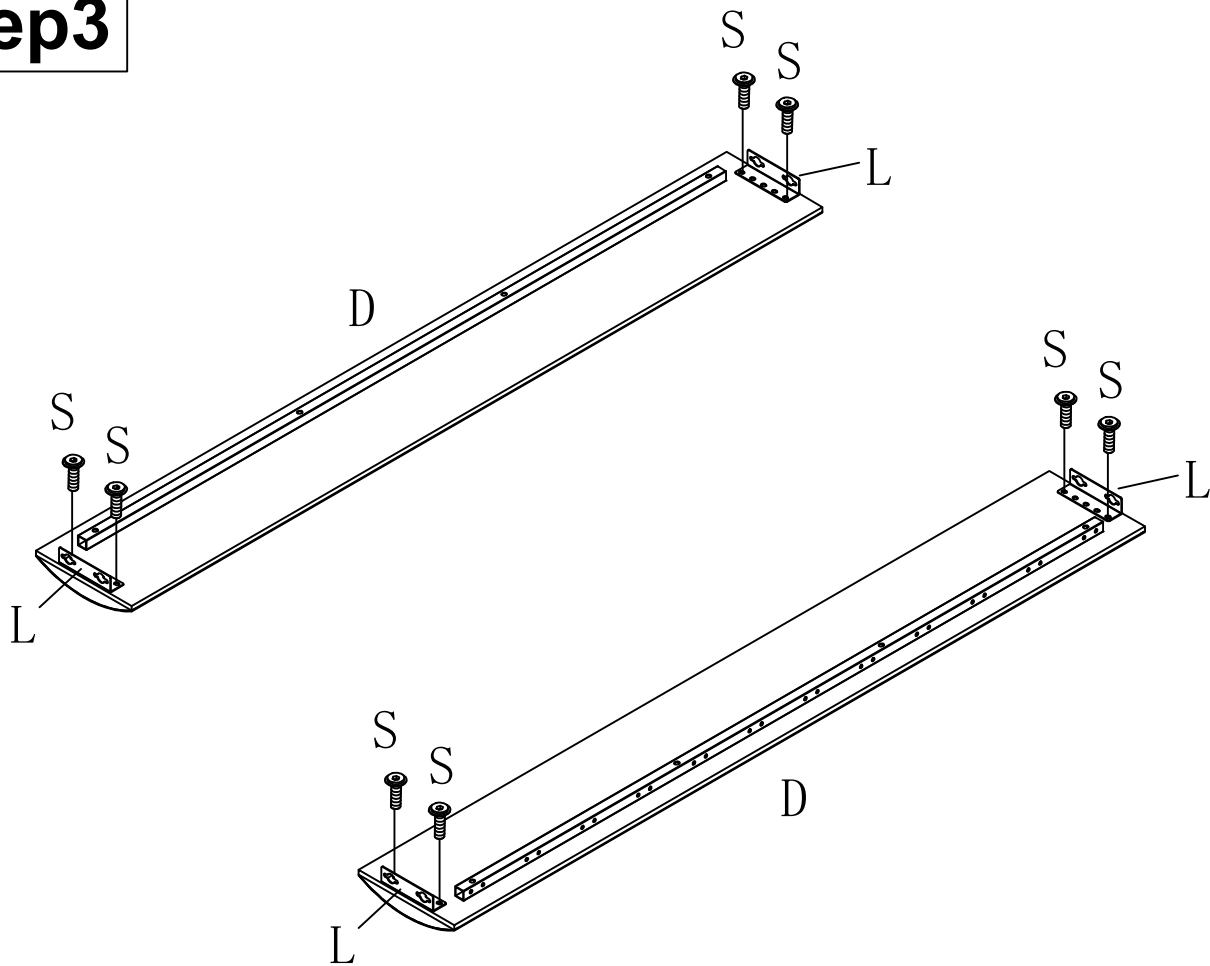
# step2

S

4PCS

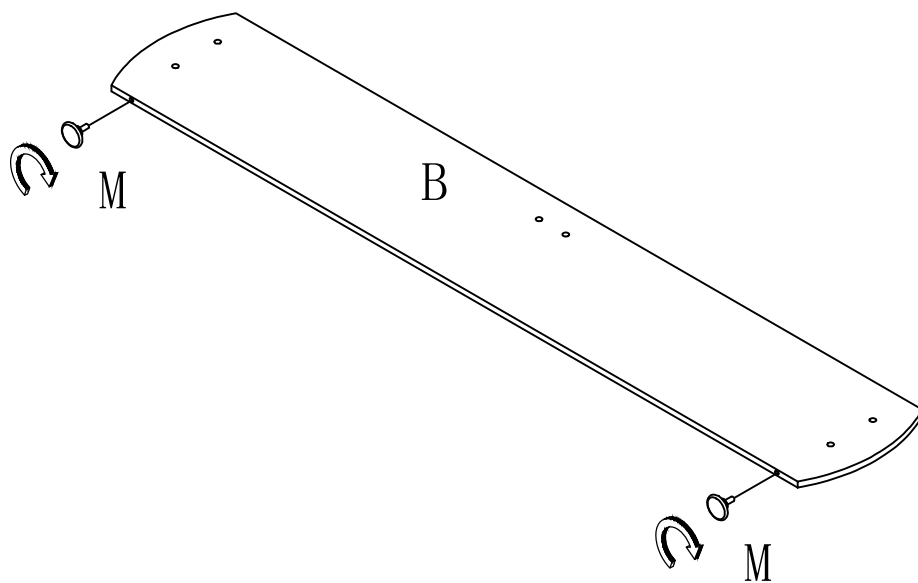


# step3

S   
8PCS



# step4

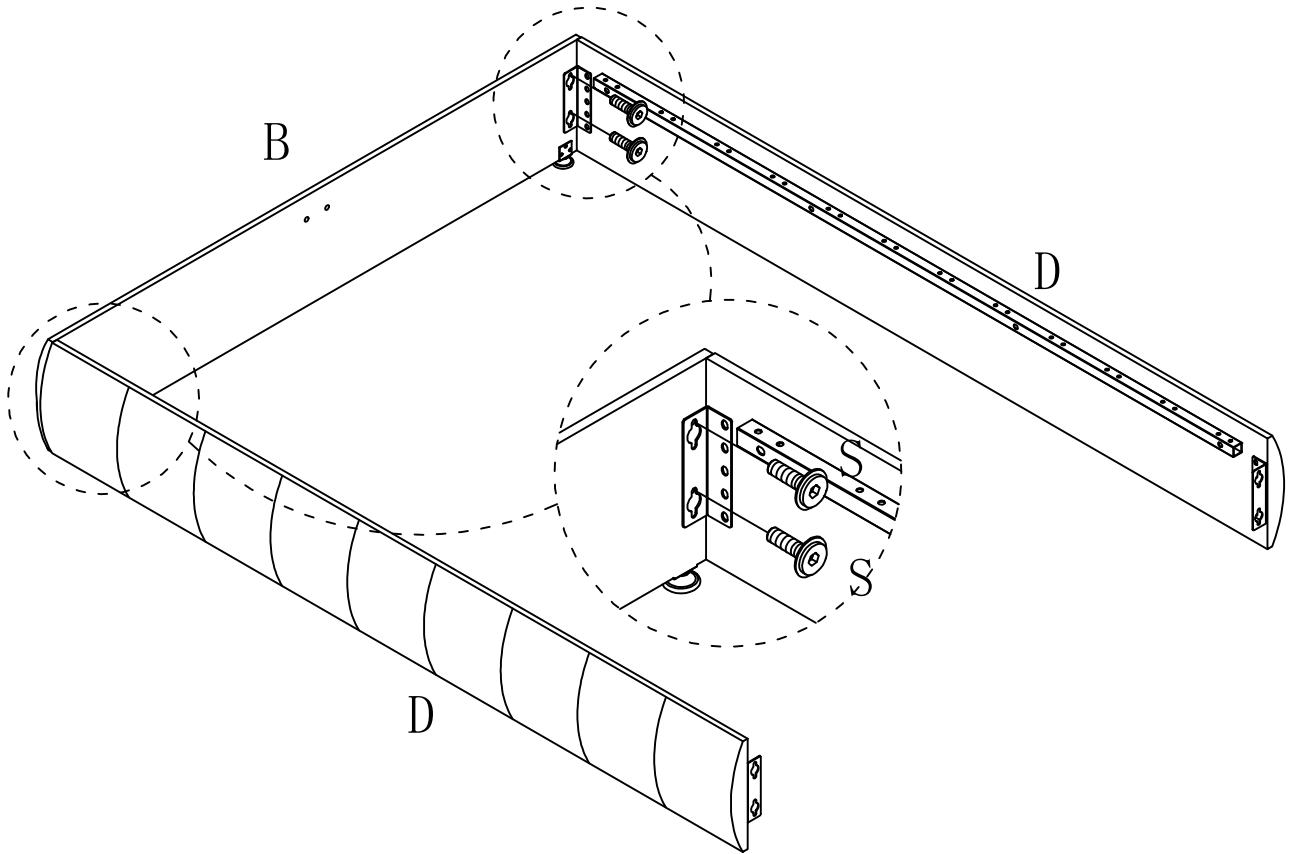


# step5

S



4PCS

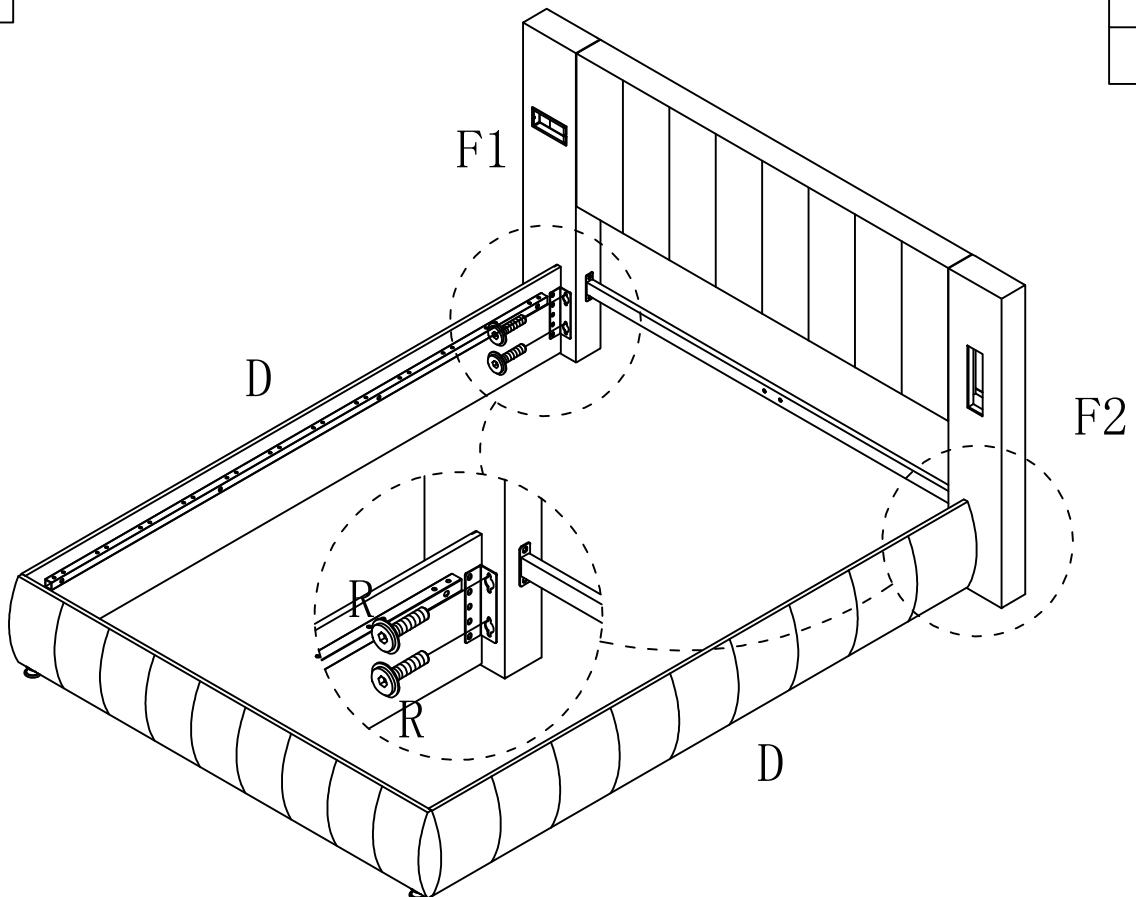


# step6

R



4PCS

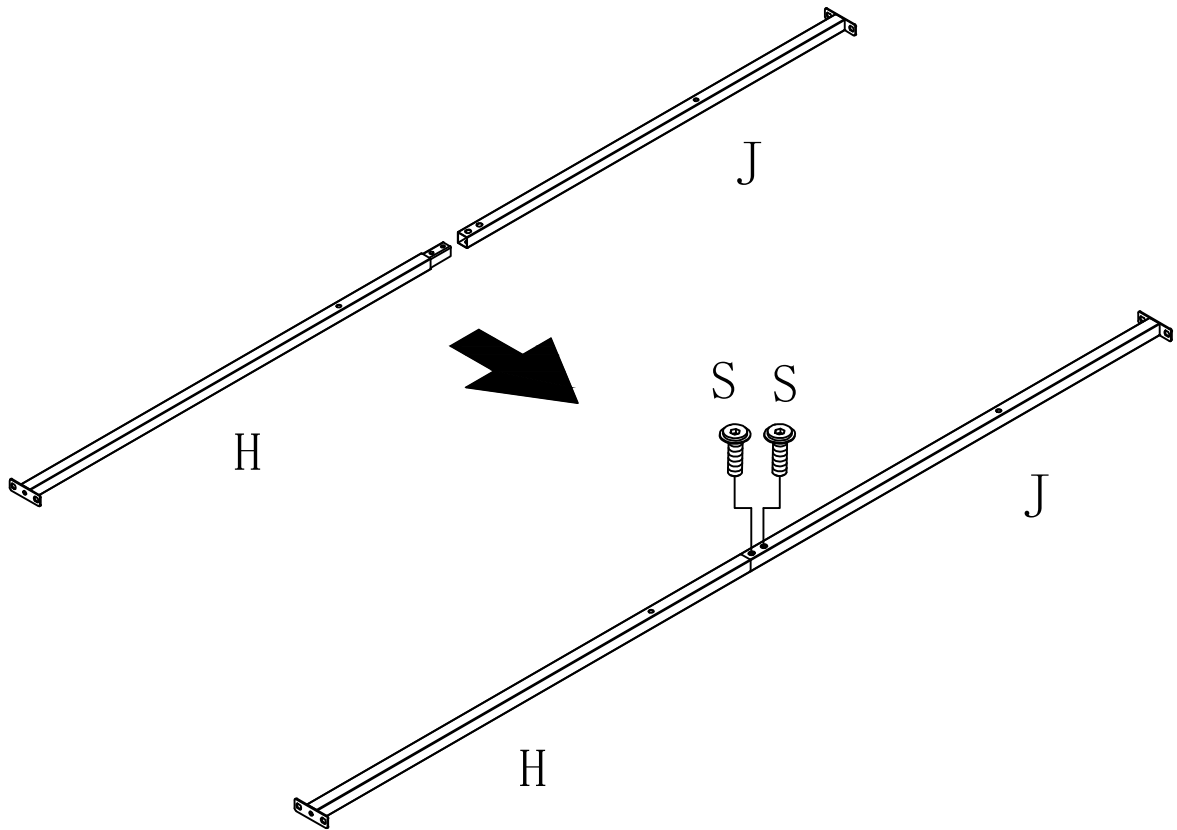


# step7

S



2PCS

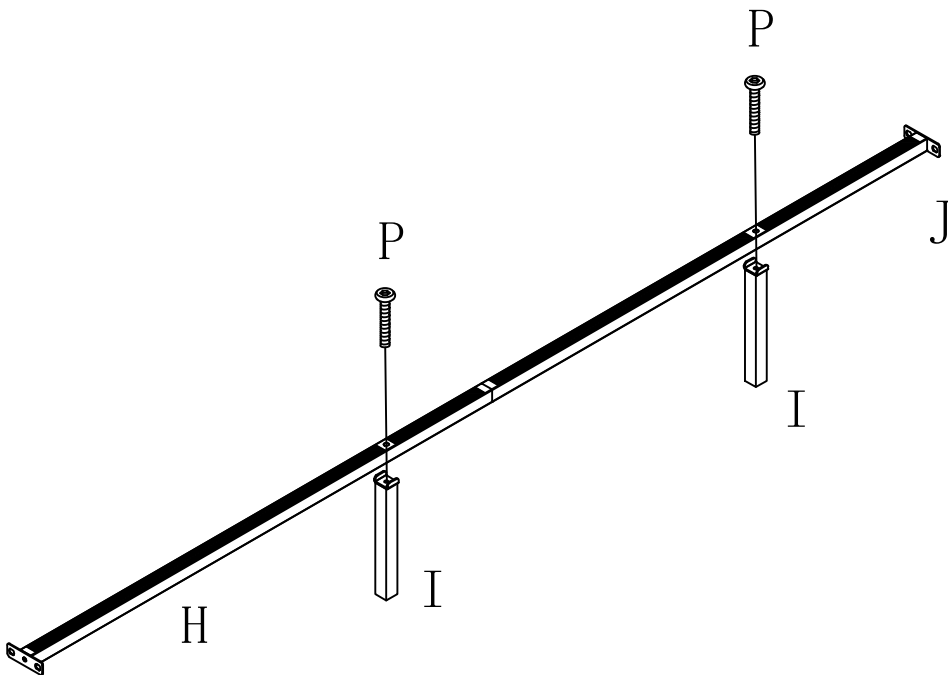


# step8

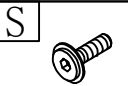
P



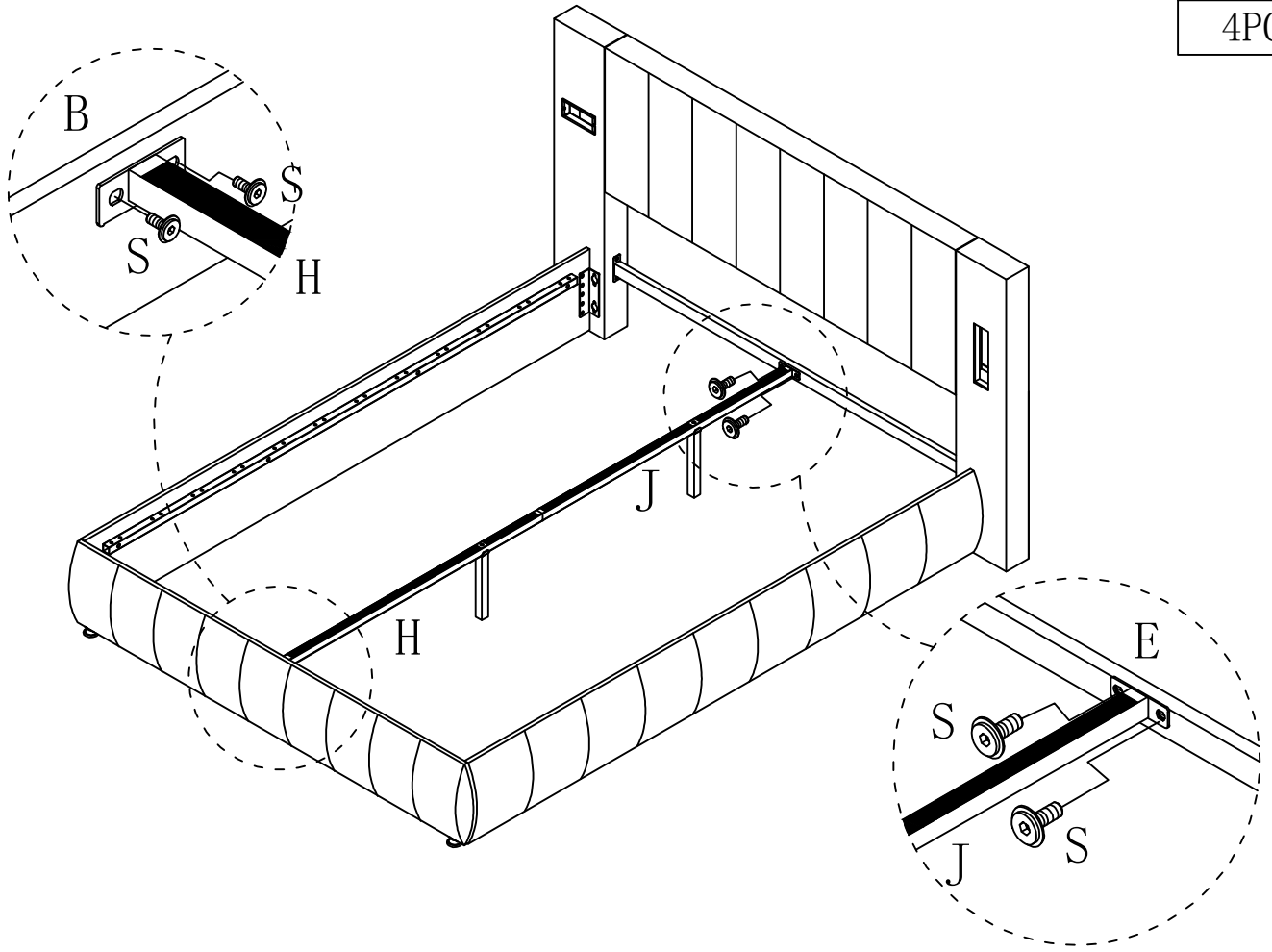
2PCS



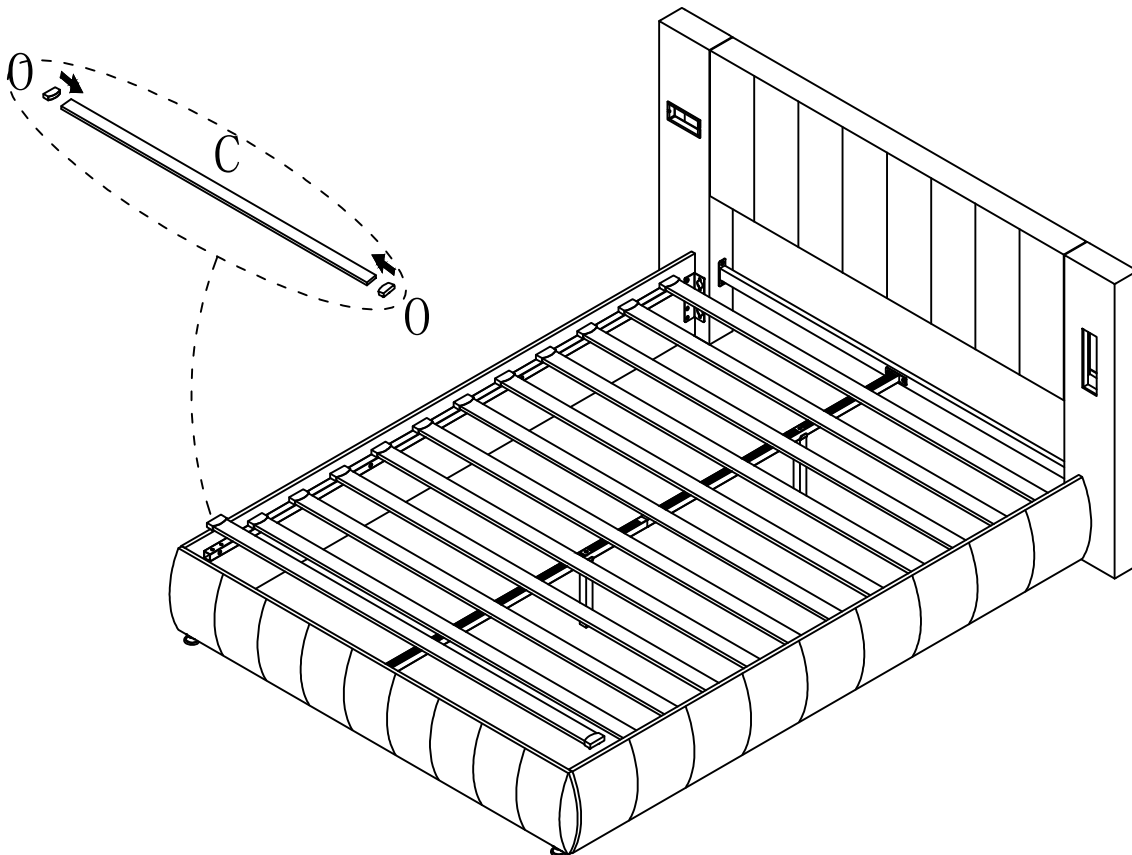
# step9



4PCS

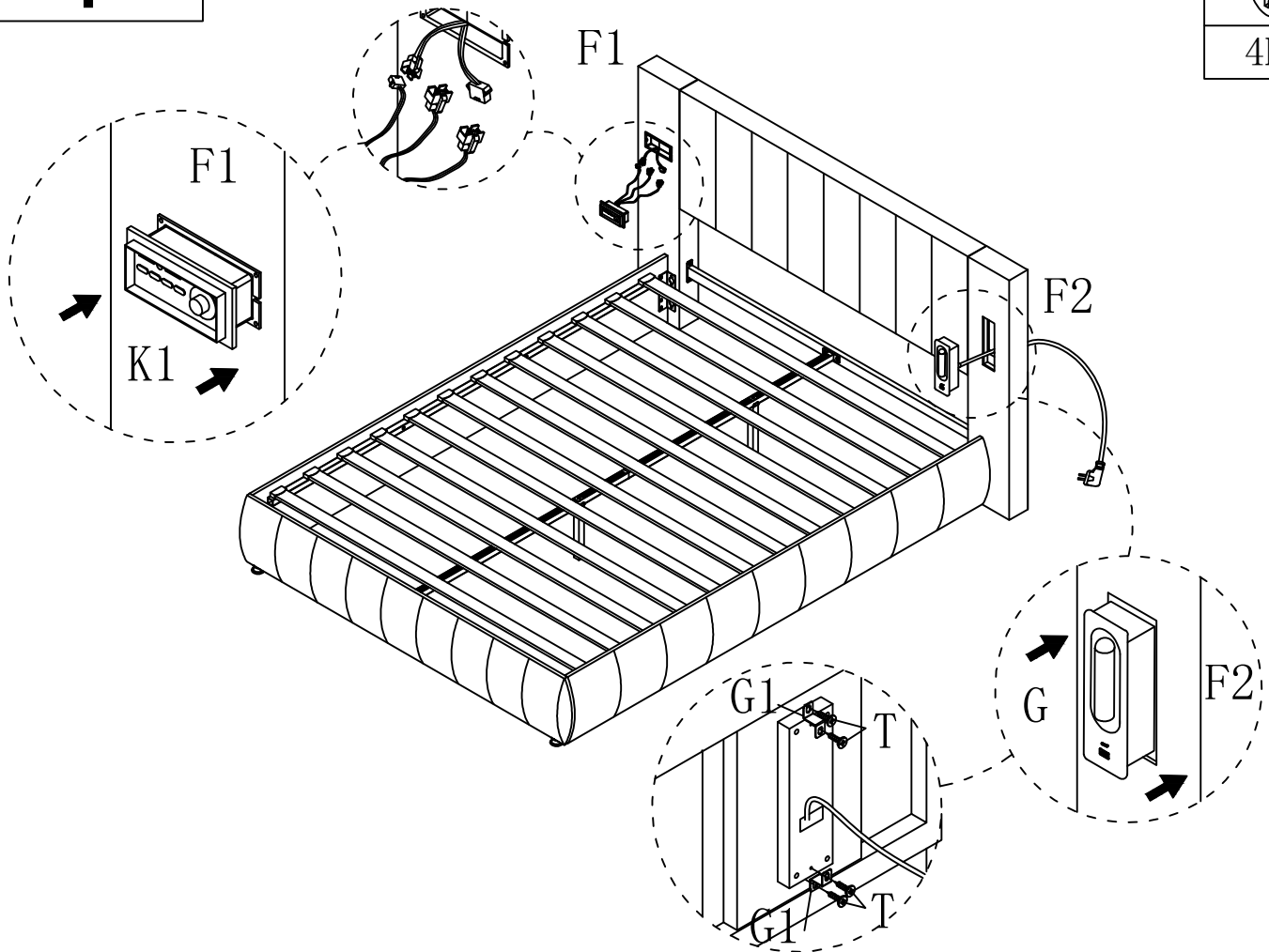


# step10

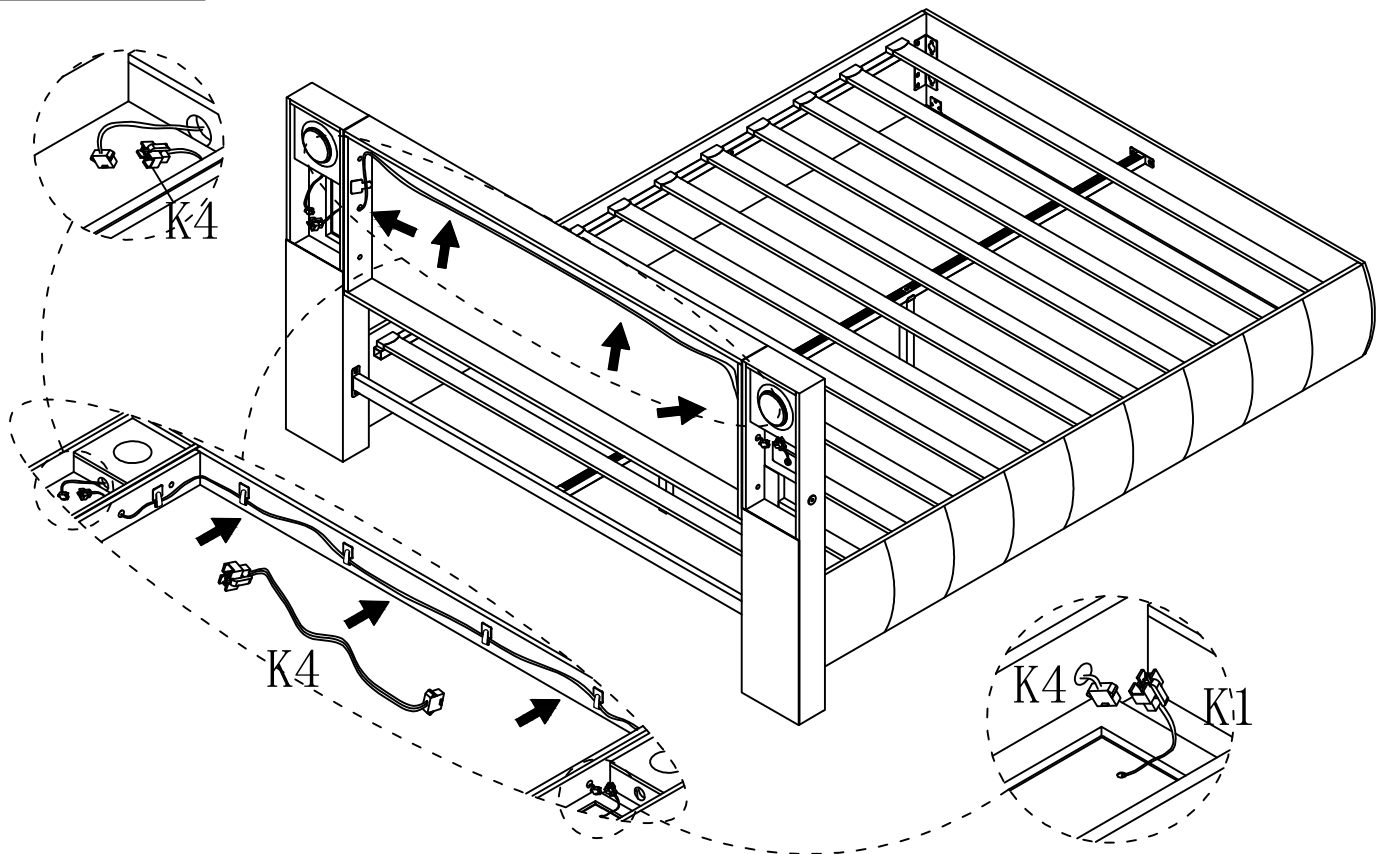


# step11

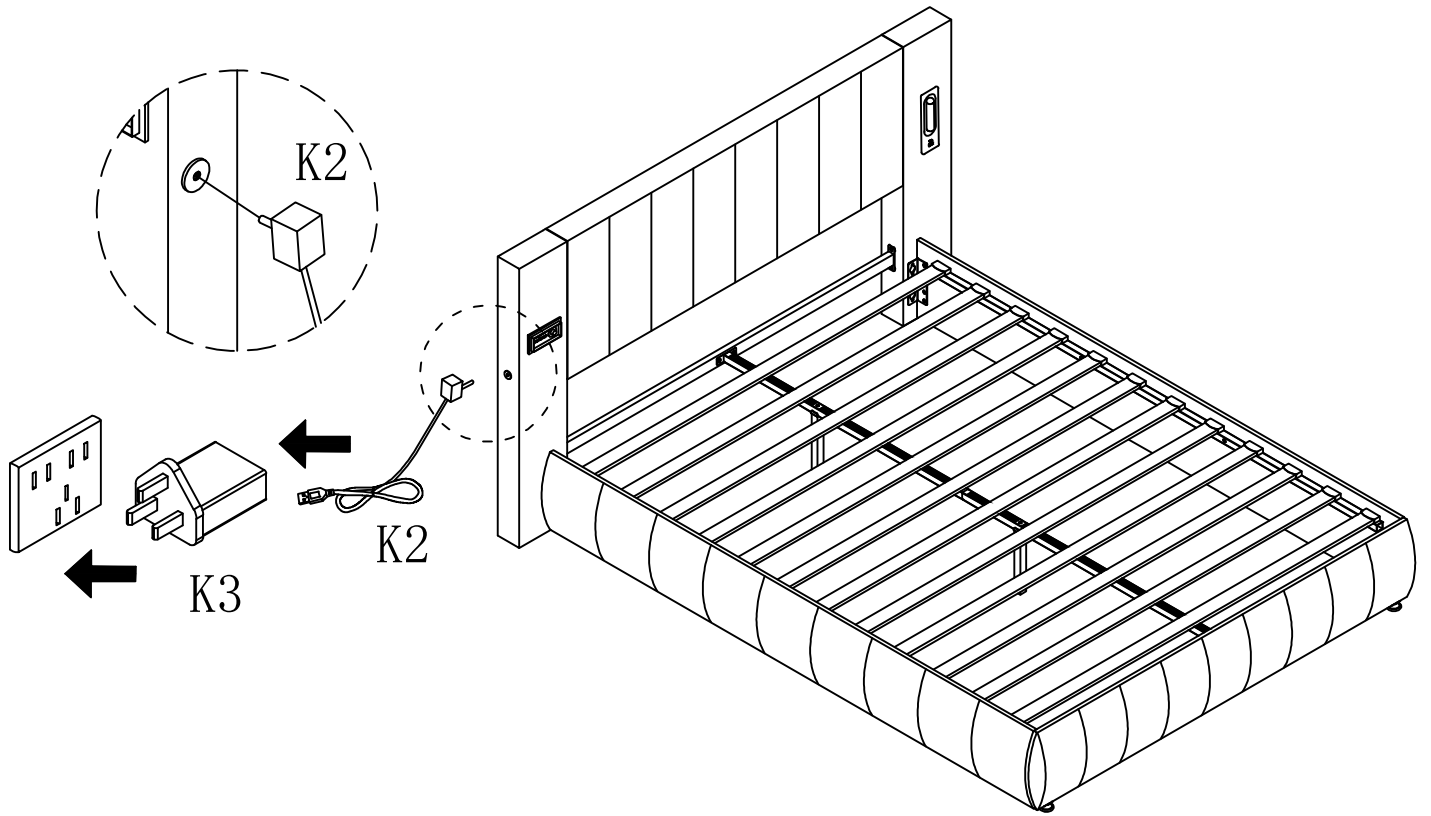
T  
4PCS



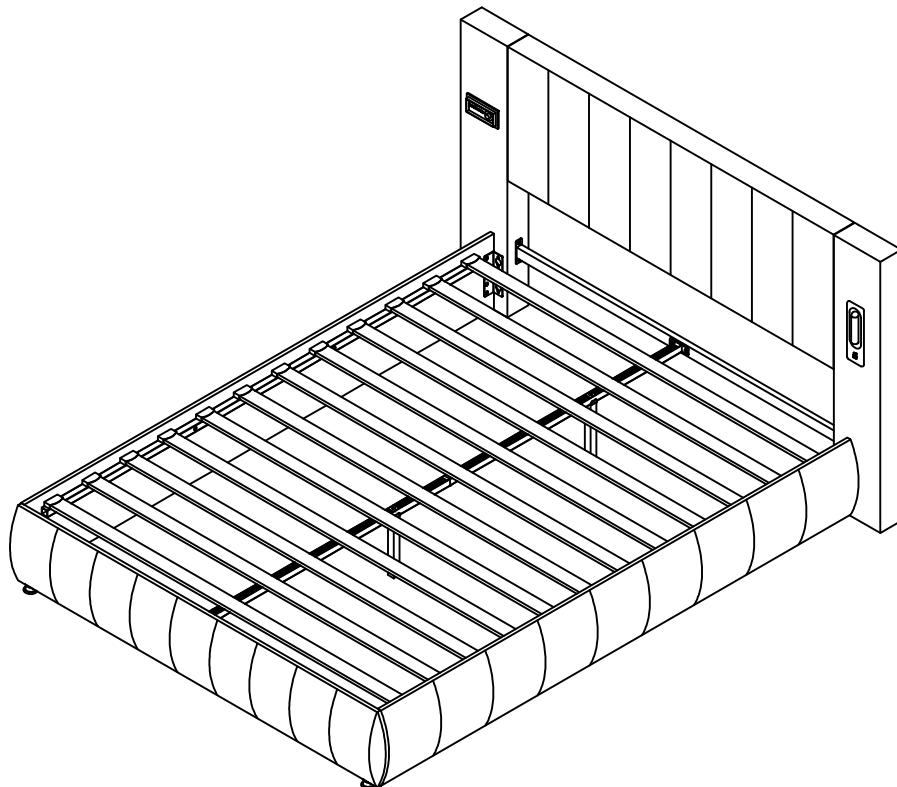
# step12



# step13



# step14




# ATTESTATION OF CONFORMITY



Issued to: Fujian Shanghang Runfa Cable Co., Ltd.  
Floor 1-3, No. 9, Yanjiang North Road, Huangzhu Village Industrial Zone, Lincheng  
Town, 364299 Shanghang County, Fujian, China

For the product: Fused plug

Trade name: RUNFA, 

Type/Model: RP-006

Ratings: 3 A, 6 A, 10 A, 13 A  
250V~

Manufactured by: Fujian Shanghang Runfa Cable Co., Ltd.  
Floor 1-3, No. 9, Yanjiang North Road, Huangzhu Village Industrial Zone, Lincheng  
Town, 364299 Shanghang County, Fujian, China

Requirements: BS 1363-1:2016 + A1:2018

This Attestation is granted on account of an examination by DEKRA, the results of which are laid down in a confidential file no 4391398.50.

The examination has been carried out on one single specimen or several specimens of the product, submitted by the manufacturer. The Attestation does not include an assessment of the manufacturer's production. Conformity of his production with the specimen tested by DEKRA is not the responsibility of DEKRA.

The UKCA marking may be affixed on the product if all relevant and effective UK regulations are complied with.

Arnhem, 7 April 2023

Number: 4391398.01AOC

DEKRA Testing and Certification (Shanghai) Ltd.,  
Guangzhou Branch

Miranda Zhou  
Certification Manager

© Integral publication of this attestation and adjoining reports is allowed

DEKRA Testing and Certification (Shanghai) Ltd., Guangzhou Branch  
Block 5, No.3, Qiyun Road, Huangpu District, Guangzhou, Guangdong, China  
T +86 20 6661 2000 F +86 20 6661 2001. [www.dekra-product-safety.com](http://www.dekra-product-safety.com)



# ASTA LICENCE

## ASTA DIAMOND MARK

**Licence No.** 1049

**Organization:** Fund Resources Electric Industry Co., Ltd. Shanghang  
Nangang Industry Development Region  
Shang Hang County  
Fujian Province  
364200, China

**Product:** Fused Plug

**Designation:** BS-01J

**Colour(s):** Black, White alternatively Grey

**Characteristics:** 250 Volts a.c. 50 Hz, 13 Amperes  
Rough Use (BS 1363/A)  
Non-rewirable  
Solid brass L & N pins  
Brass Earth pin alternatively ISOD  
Crimped terminations  
Solid moulded-on construction

**Approval Standard:** BS 1363-1: 2016 +A1: 2018

**Issue Number:** 8

**Review Date:** 30 November 2027

**Factory Reference:** FUNDCN.A1

**Intertek**  
R.W. Hayward  
  
15 March 2023

**Name**  
**Signature**  
**Date**

This licence is for the exclusive use of Intertek's client and is provided pursuant to the agreement between Intertek and its Client. Intertek's responsibility and liability are limited to the terms and conditions of the agreement. Intertek assumes no liability to any party, other than to the Client in accordance with the agreement, for any loss, expense or damage occasioned by the use of this Licence. Only the Client is authorized to permit copying or distribution of this Licence and then only in its entirety. Any use of the Intertek name or one of its marks for the sale or advertisement of the tested material, product or service must first be approved in writing by Intertek.  
Issued by Intertek Testing & Certification Ltd., Academy Place, 1-9 Brook Street, Brentwood CM14 5NQ, United Kingdom  
a UKAS accredited certification body, No. 0010

**UK Declaration of Conformity****in accordance with****Radio Equipment Regulations 2017(SI 2017/1206)****Certificate No.: SiCT2303030253C**

**Applicant** : **Dongguan Juyou Industrial Co., Ltd**  
Room 202, Building 2, No. 4, Lindong SAN Road, Lincun, Tangxia Town,  
Dongguan City, Guangdong Province

**Manufacturer** : **Dongguan Juyou Industrial Co., Ltd**  
Room 202, Building 2, No. 4, Lindong SAN Road, Lincun, Tangxia Town,  
Dongguan City, Guangdong Province

**Product** : **Household Sofa Bluetooth Speaker**

**Trademark** : **N/A**

**Model** : **F-920, F-916, F-918**

Standard(s):	Report No.:	
Article 3.1 (a)	BS EN EN IEC 62368-1:2020+A11:2020	SiCT2303030253S
	BS EN 62479:2010, BS EN 50556:2018	SiCT2303030253-1E
Article 3.1 (b)	ETSI EN 301 489-1 V2.2.3 (2019-11)	SiCT2303030253-2E
	ETSI EN 301 489-17 V3.2.4 (2020-09)	
	EN 55032:2015+A11:2020 EN 55035:2017+A11:2020	
Article 3.2	ETSI EN 300 328 V2.2.2 (2019-07)	SiCT2303030253-3E

The certificate of conformity is based on an evaluation of a sample of the above-mentioned product(s). The technical report is at the disposal of the applicant. This is to certify the tested sample that is in conformity with all provisions of UK Radio Equipment Regulations (SI 2017/1206) of 2017. It is only valid in connection with the test report number as listed.

Any use of the SiCT name or its marks for the sale of the tested product must first be approved in writing by SiCT. The test results referenced in this Verification are relevant only to the sample tested.



Authorized Signer: \_\_\_\_\_

Andy Wang/Manager

Date: **Mar. 07, 2023****Shenzhen SiCT Technology Co., Ltd.**

202, Building 3, No.111 Huanguan Middle Road, Songyuanxia  
Community, Guanhu Street, Longhua District, Shenzhen, Guangdong, China

E-mail: info@sict-lab.com.cn Http:// www.sict-lab.com.cn