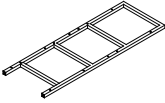
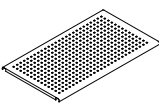
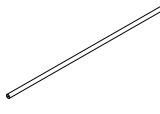


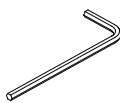
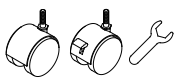



INSTALLATION

4 Tier Multifunction Trolley

Parts list

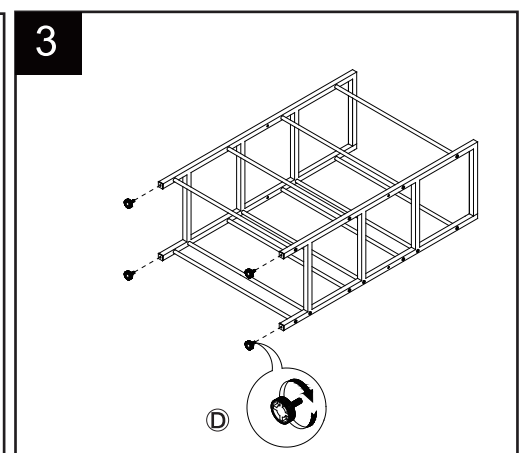
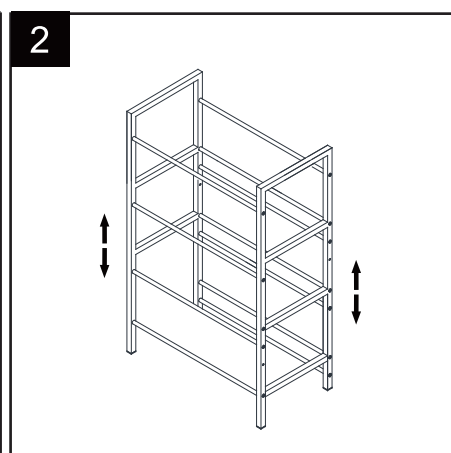
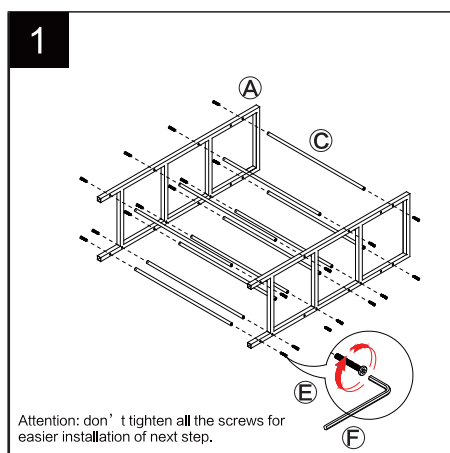
A bracket  x2	B shelf  x4	C pipe  It was packaged in the middle of the shelves x11	D leveling foot  x4	E screw  one spare piece x23	F wrench  x1	gifts	
						G wheel  With lock 2pcs no lock 2pcs wrench	H hook  x2

ASSEMBLY INSTRUCTIONS

1. Install all the pipes together with the brackets.

2. Stand the rack and keep it balanced, then tighten the screws.

3. Install the leveling foot or wheels into the bottom bracket.



4. Input the shelf onto the pipes.

5. Input the hooks.

6. Finished.

