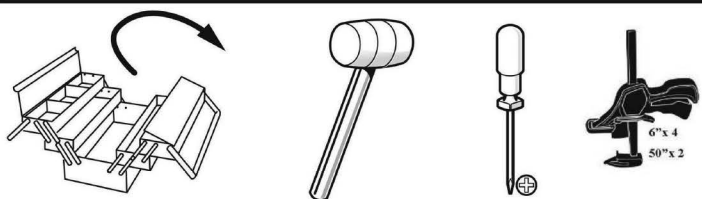


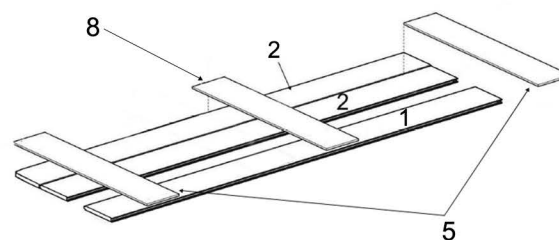
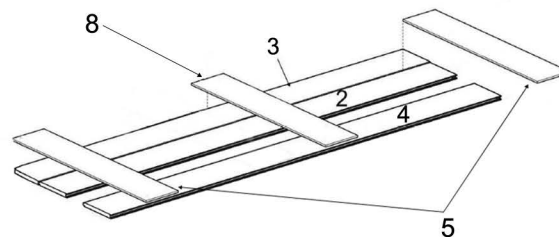
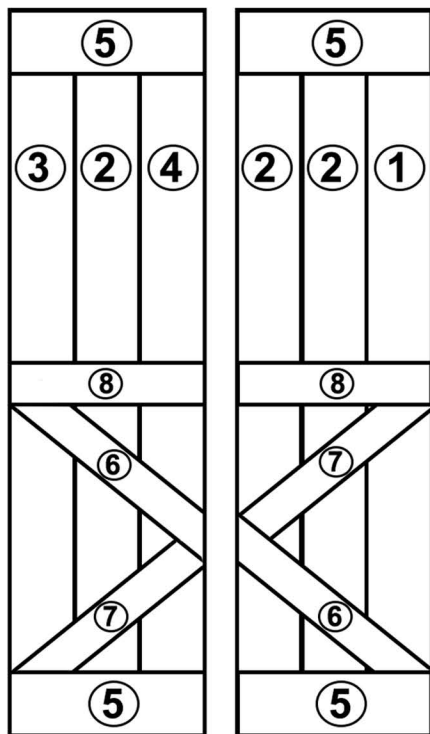
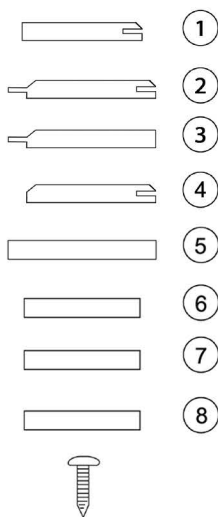
# Door Leaf Assembly Guide Installation Manual

Bifoldod 011 Collection

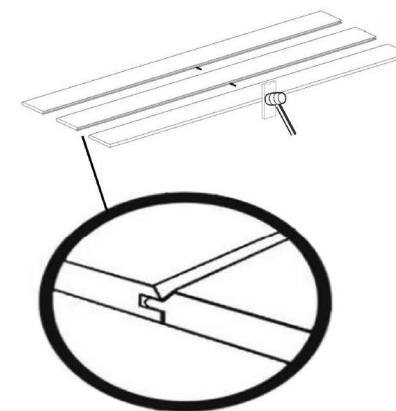


**Assembly reference only.**  
 The quantity of plank ② may vary based on door width.

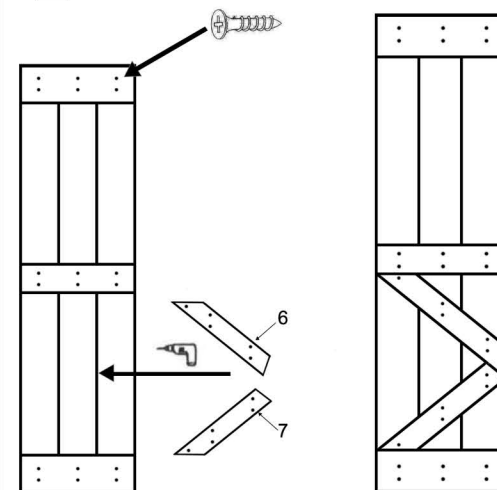
## Side View



1



2



The pre-drilled holes need to be positioned in the center of the bottom panel to ensure both structural stability and aesthetic balance for the door.