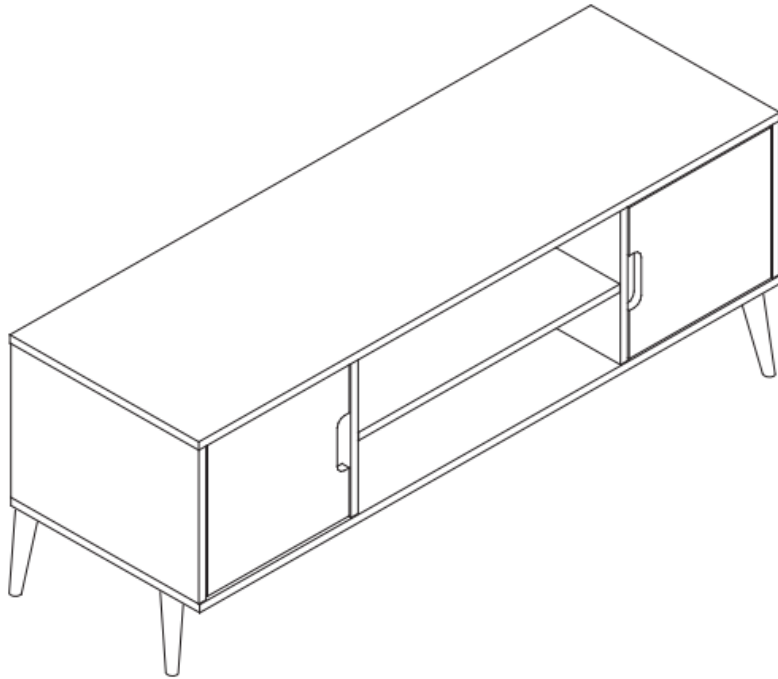


Assembly Instructions

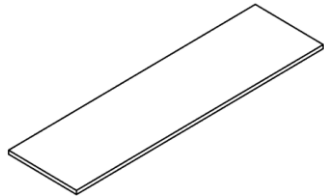
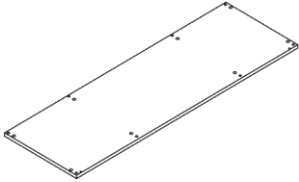
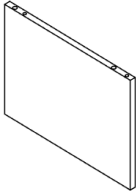
Caution : You must read this before you proceed

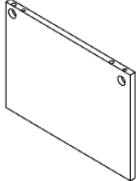
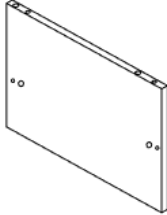
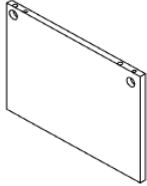
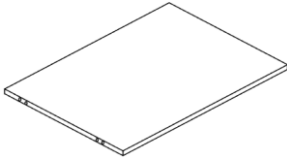
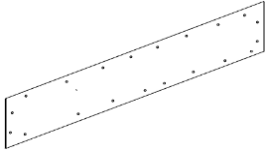
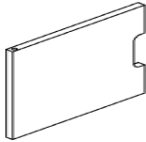
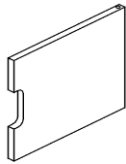


Please look in the velcro pouch for hardware packs and legs

TV Stand






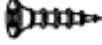
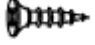



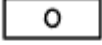
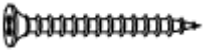



Parts List

Label	Picture	Description	QTY
A		Top Panel	1
B		Bottom Panel	1
C		Left Side Panel	1

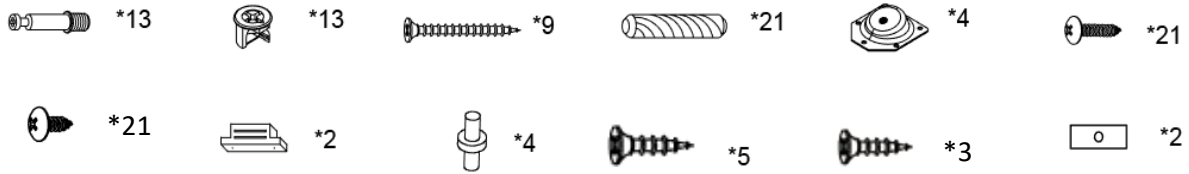
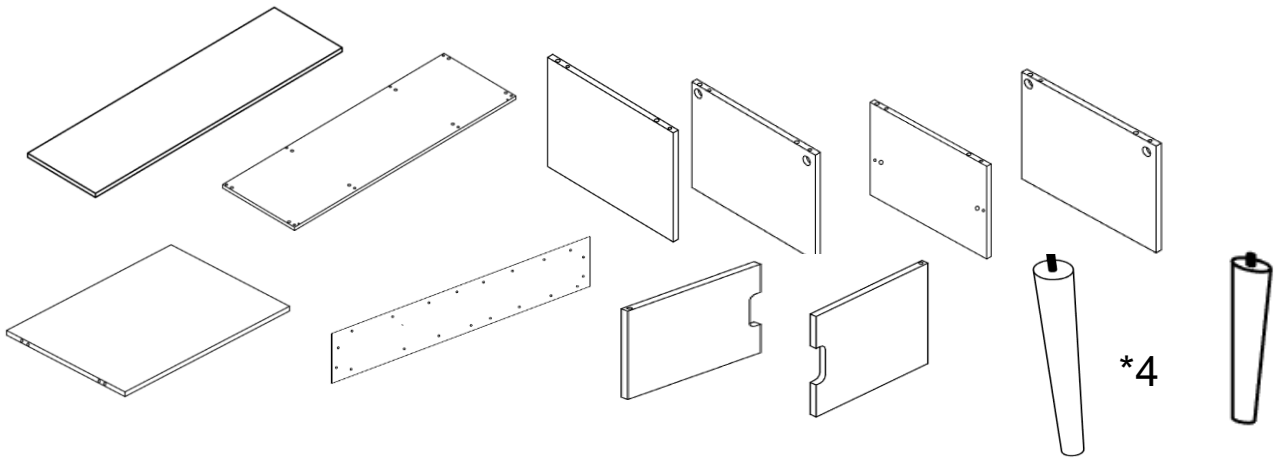
D		Middle Left Side Panel	1
E		Middle Right Side Panel	1
F		Right Side Panel	1
G		Shelf Panel	1
H		Back Panel	1
I		Left Door Panel	1
J		Right Door Panel	1
K		Leg	4
L		Support Leg	1

Hardware

Label	Picture	Description	QTY
①		Cam Bolt	13
②		Dowel (M8X30mm)	21
③		Cam Nut	13
④		Screw (M3x12mm)	21
⑤		Screw (M4x15mm)	21
⑥		Screw (M3x14mm)	5
⑦		Screw (M3x12mm)	3
⑧		Metal Plate	4
⑨		Magnet	2
⑩		Door Pin	4
⑪		Magnetic Bar	2
⑫		Screw (M4x35mm)	9
⑬		Screwdriver (Not provided)	1

Assembly Preparation

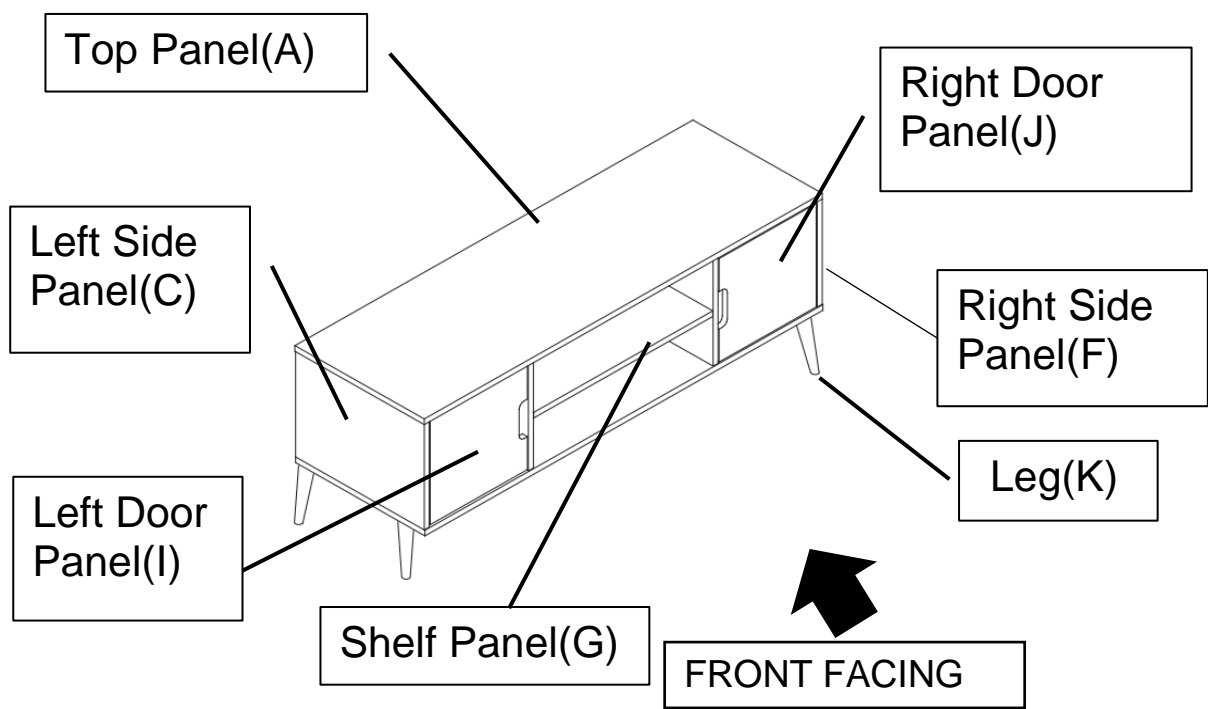
Before Beginning Assembly:



- Read instructions, cover to cover-
- Have 2 adults on hand for assembly-
- Do not assemble on flooring or carpet-
- Assemble on a clean non-marring surface (packing foam)-
- Save all packaging until finished-

Assembly Steps

Overview

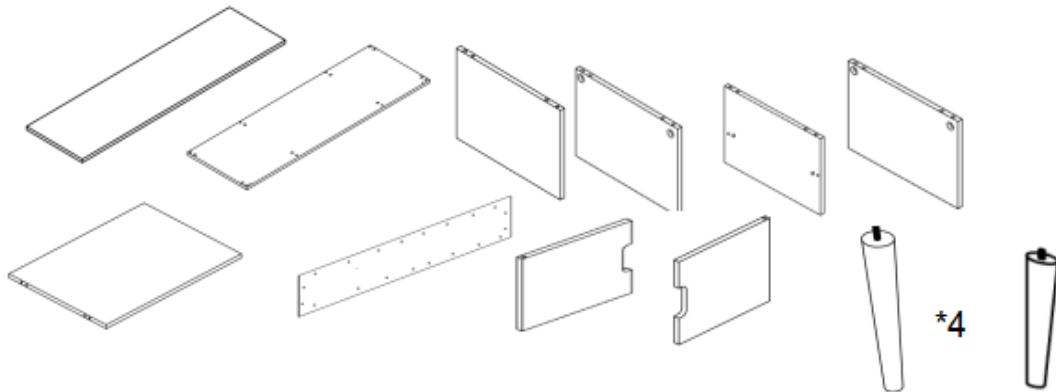


This TV Stand has multiple parts and may require up to 30 minutes to assemble.

To give you an overview of the TV Stand parts, the above picture is to help you put the various parts into perspective.

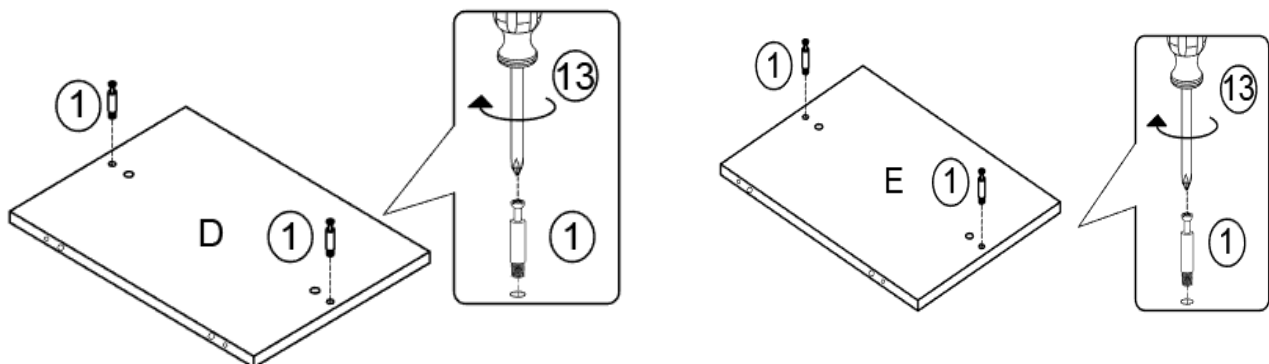
Please read through the instructions below to familiarise yourself with the parts and steps before assembly.

Step 1



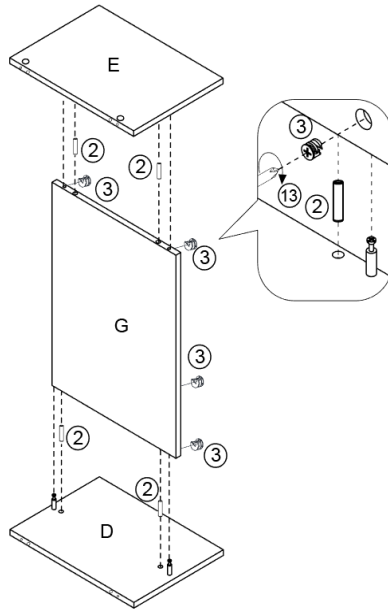
Unpack and place all parts on a clean, non-marring surface.

Step 2



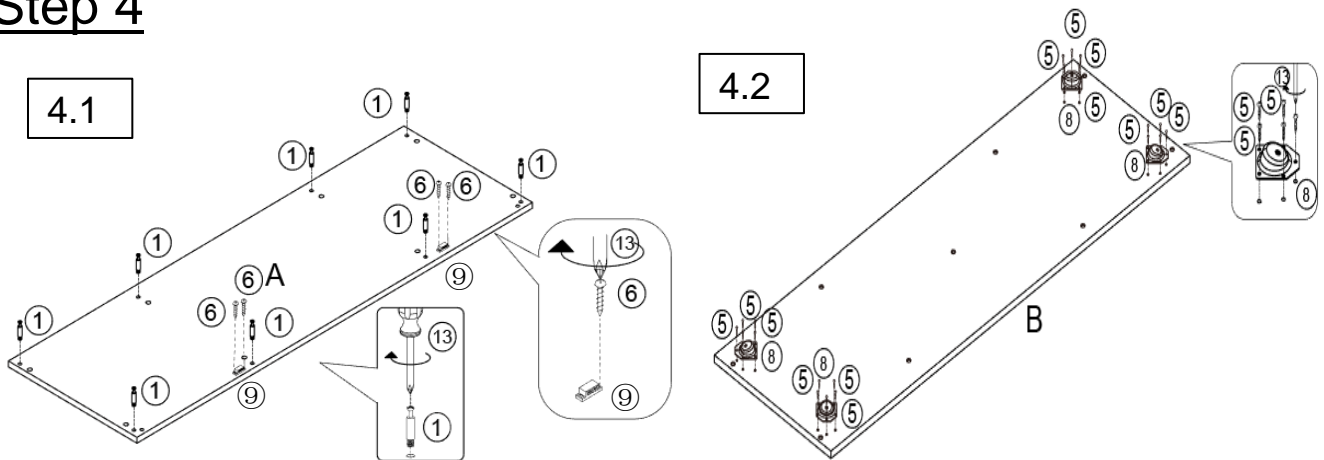
Insert Cam Bolt(①) into the mounting positions on Middle Left Side Panel(D) and Middle Right Side Panel(E) using Screwdriver(⑬) as shown.

Step 3



Attach Middle Left Side Panel(D) to the Shelf Panel(G) with Dowel(②), then insert Cam Nut(③) into Shelf Panel(G) using Screwdriver(⑬). Attach Middle Right Side Panel(E) to the Shelf Panel(G) with Dowel(②), then insert Cam Nut(③) into Shelf Panel(G) using Screwdriver(⑬).

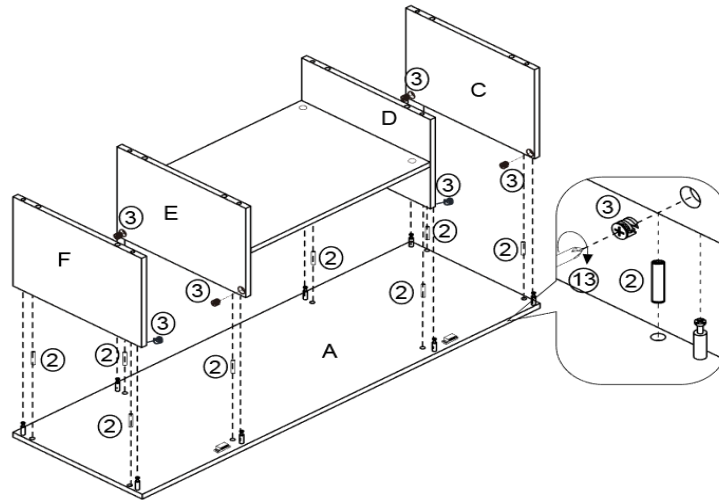
Step 4



4.1) Insert Cam Bolt(①) into the mounting positions on Top Panel(A) using Screwdriver(⑬) as shown. Attach Magnet(⑨) to the Top Panel(A) using Screw(⑥) with Screwdriver(⑬) as shown.

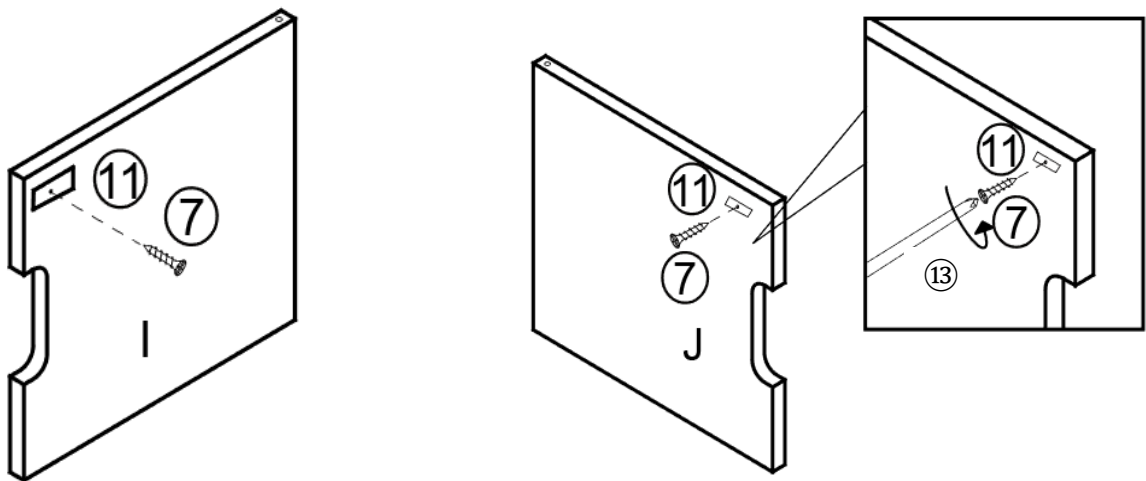
4.2) Attach Metal Plate(⑧) to the Bottom Panel(B) using Screw(⑤) with Screwdriver(⑬) as shown.

Step 5



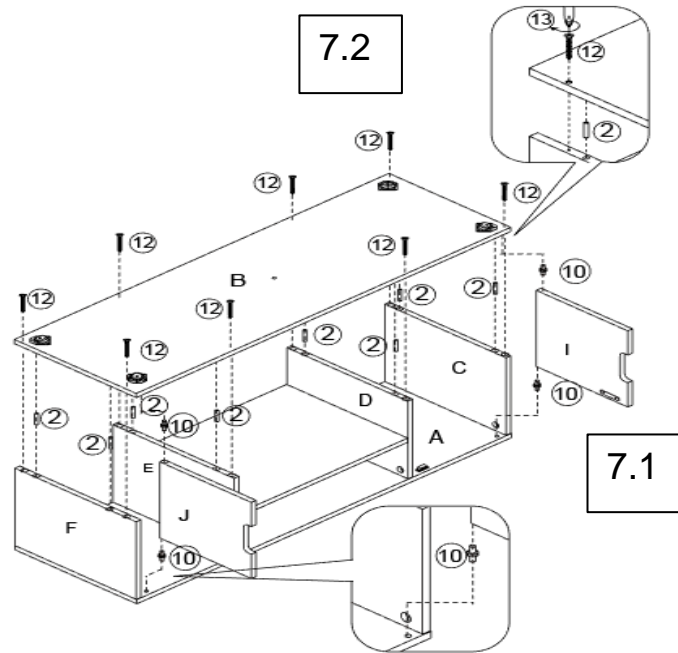
Attach Left Side Panel(C), Middle Left Side Panel(D), Middle Right Side Panel(E) and Right Side Panel(F) to the Top Panel(A) with Dowel(②), then insert Cam Nut(③) into Left Side Panel(C), Middle Left Side Panel(D), Middle Right Side Panel(E) and Right Side Panel(F) using Screwdriver(⑬) as shown.

Step 6



Attach Magnetic Bar(⑪) to the Left Door Panel(I) and Right Door Panel(J) using Screw(⑦) with Screwdriver(⑬) as shown.

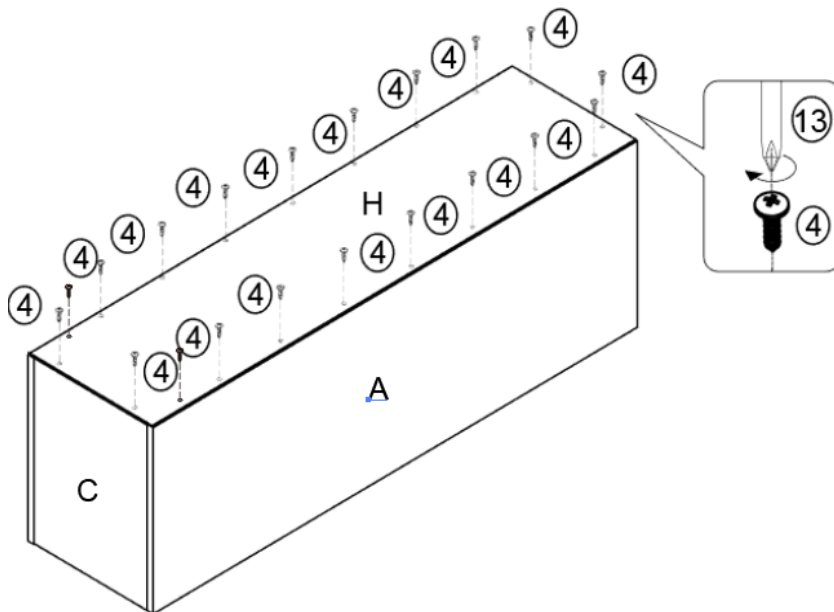
Step 7



7.1) Attach Left Door Panel(I) and Right Door Panel(J) to the Top Panel(A) with Door Pin(10).

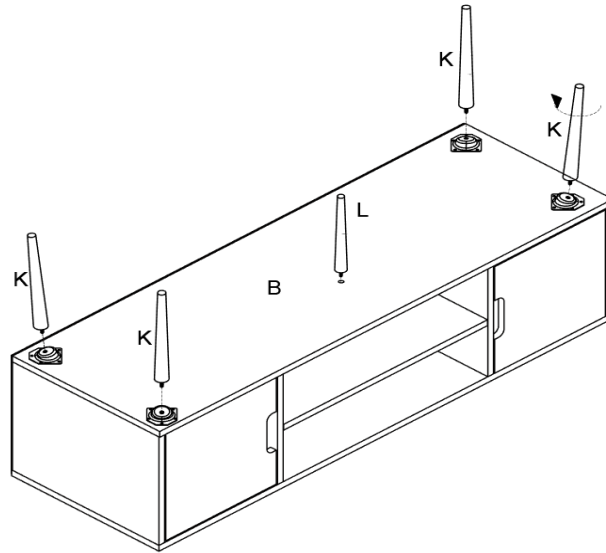
7.2) Attach Bottom Panel(B) to the Left Side Panel(C), Middle Left Side Panel(D), Middle Right Side Panel(E) Right Side Panel(F), Left Door Panel(I) and Right Door Panel(J) with Dowel(2), then insert Screw(12) into Bottom Panel(B) using Screwdriver(13) as shown.

Step 8



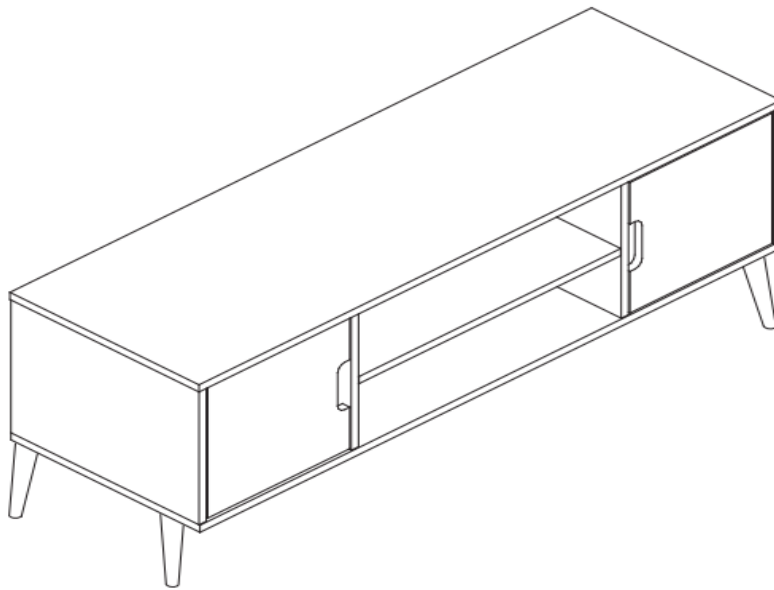
Attach Back Panel(H) to the Left Side Panel(C), Right Side Panel(F), Bottom Panel(B) and Top Panel(A) using Screw(4) with Screwdriver(13) as shown.

Step 9























Attach Leg(K) and Support Leg(L) to the Bottom Panel(B), and then turn all legs clockwise to fasten them tightly.

Step 10



Your Tv Stand is ready for use.
This Tv Stand can only be used on a flat,level surface.

Care & Maintenance

-   • Do not put hot items directly on furniture surface
 -   • Do not clean furniture with harsh cleansers or polish.
 -   • Do not place furniture under direct sunlight.
 -   • Do not place furniture near heating or cooling vents.
 -   • Do not write on furniture without a padded barrier to protect the surface.
 -   • Do not place furniture outside . For indoor use only .
 -   • Not for commercial use. For residential use only .
 -   • Stains may be removed with mild soap solution and damp cloth.
 -   • Children should not climb or jump on the furniture.
-
-   • Dust and pick-up spills using a clean, non-colored, lint-free cloth .