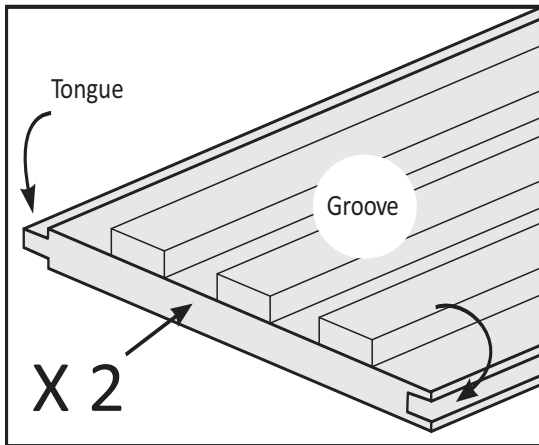
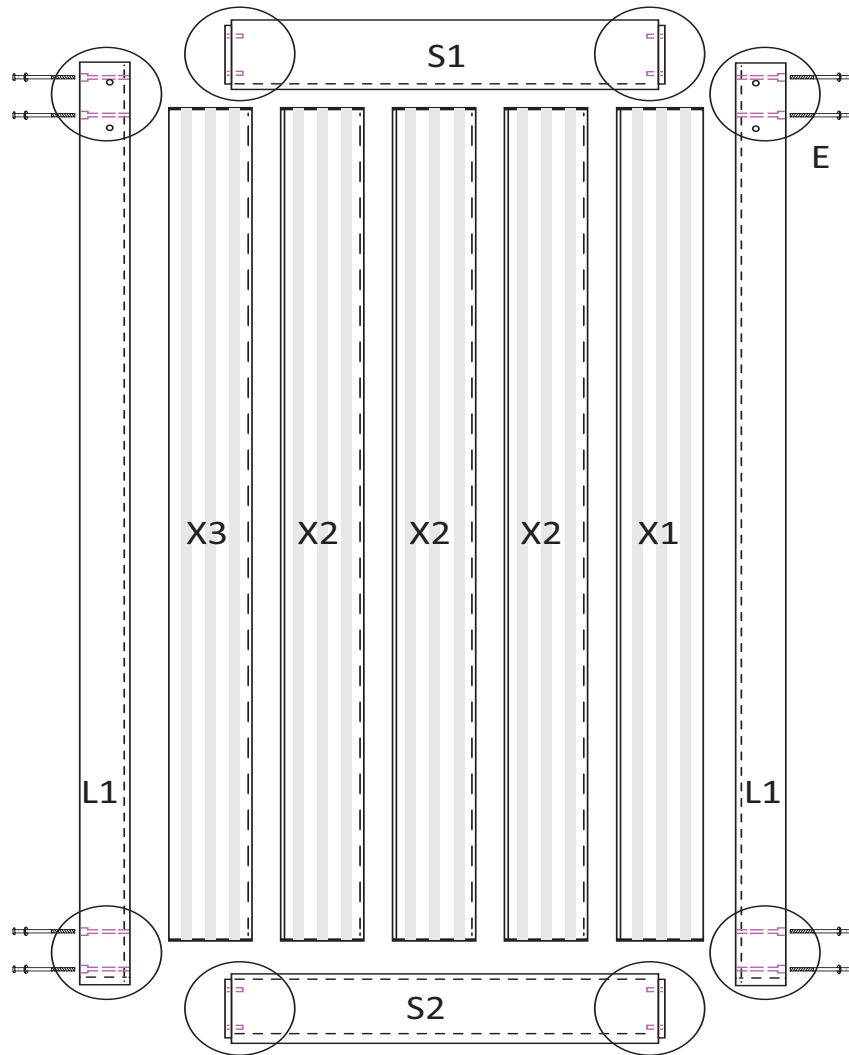


DOOR PANEL INSTALLATION GUIDE



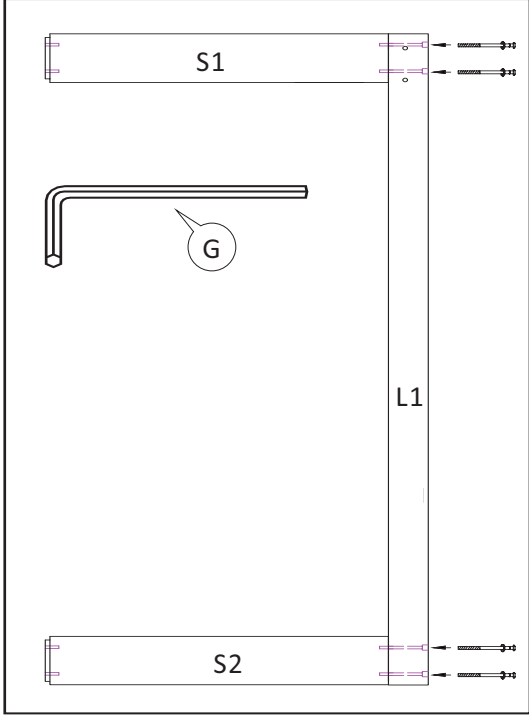
This section provides a legend and a list of parts for the door panel installation. The legend includes:

- L1: Side rail
- S1: Top rail
- S2: Bottom rail
- X1, X2, X3: Panel sections
- E: 3.5 inch Allen key
- F: hole stickers
- G: Allen Key

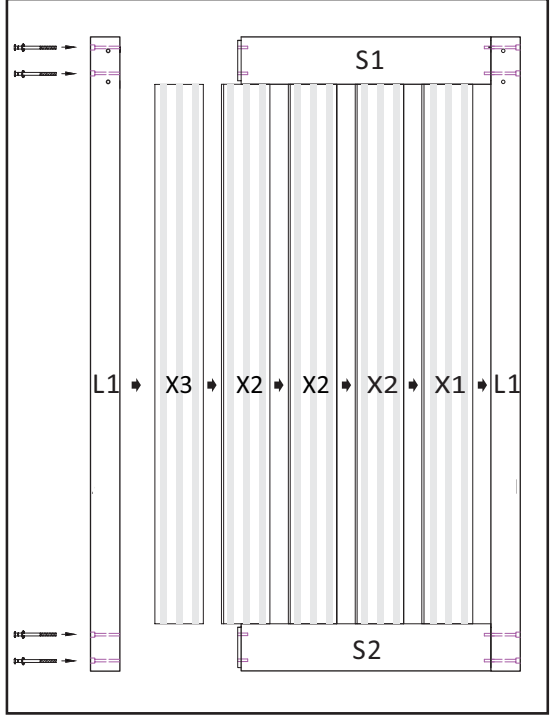
The part list specifies the number of X2 panels required for different door sizes:

- 30 inch door: 3 pcs of X2 panel
- 36 inch door: 4 pcs of X2 panel
- 42 inch door: 5 pcs of X2 panel

1



2



 Do not overscrew

3

