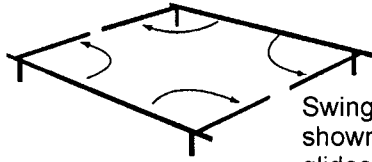
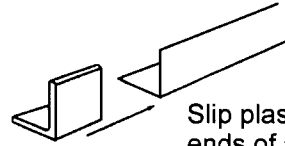


USE PROPER SECTIONS TO ASSEMBLE FRAMES



Swing out all cross rails as shown in diagram. Insert glides into legs.

IMPORTANT

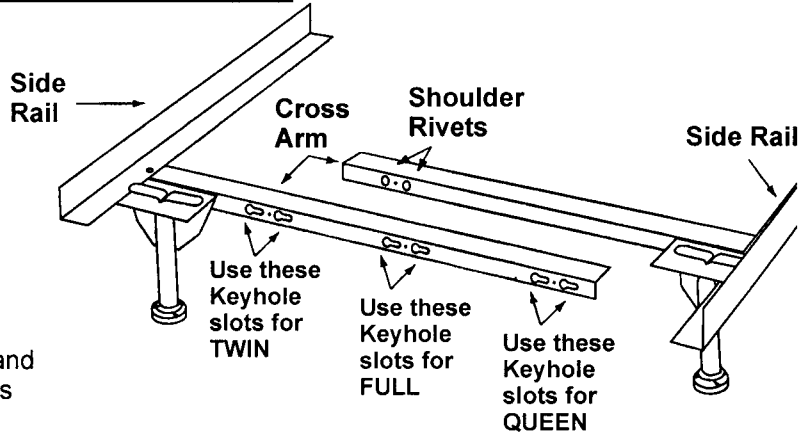


Slip plastic caps on ends of side rails.

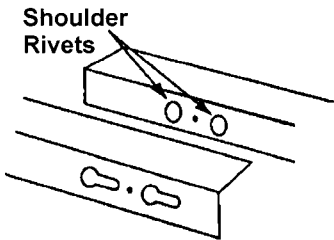
SECTION I-Twin, Full, Queen

Use this section if you have a standard 4-leg Bed Frame. (Twin, Full or Queen bedding).

- 1 Select proper pair of Keyhole Slots for size of bedding to be used.

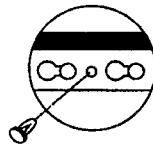


- 2 Overlap cross rails and slide Shoulder Rivets into Keyhole Slots.



- 3 Pull cross rails OUTWARD so that Shoulder Rivets lock in Keyhole Slots.

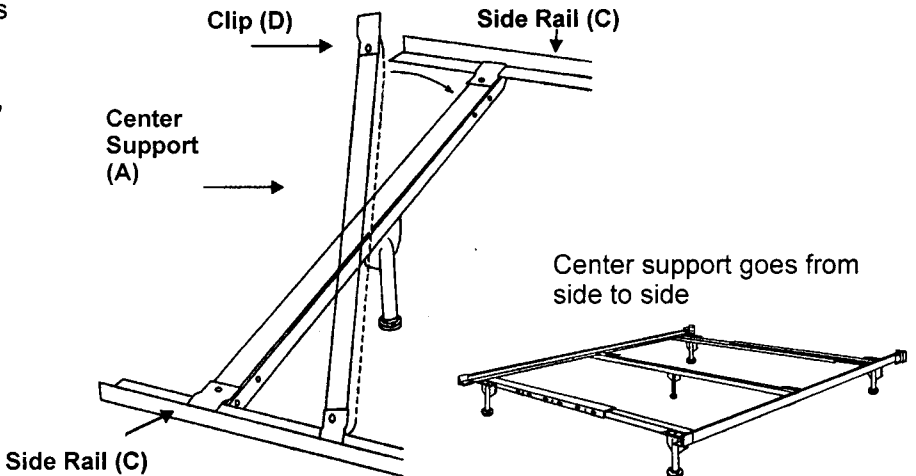
- 4 After completing Step number 3, insert plastic Stopper through hole in side of Cross Arms to lock them into place.



SECTION II-Queen with center support

Use this section if you have a Queen Size Bed Frame with Center Support, which includes a Center Cross Rail with Leg.

After Bed Frame has been assembled in Queen position, [see Section above], swing the single angle iron Center Support (A) under Side rails (C), so that clips (D) slide over the top of both side rails directly in the center.



Center support goes from side to side