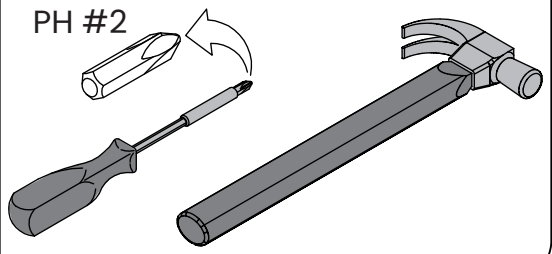
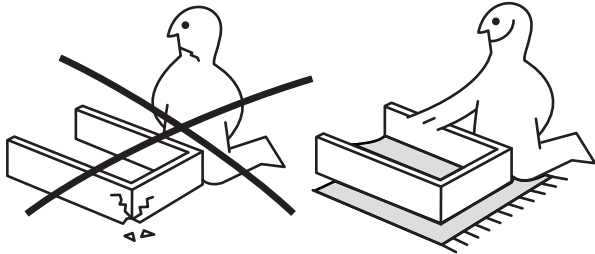
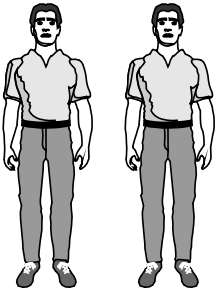
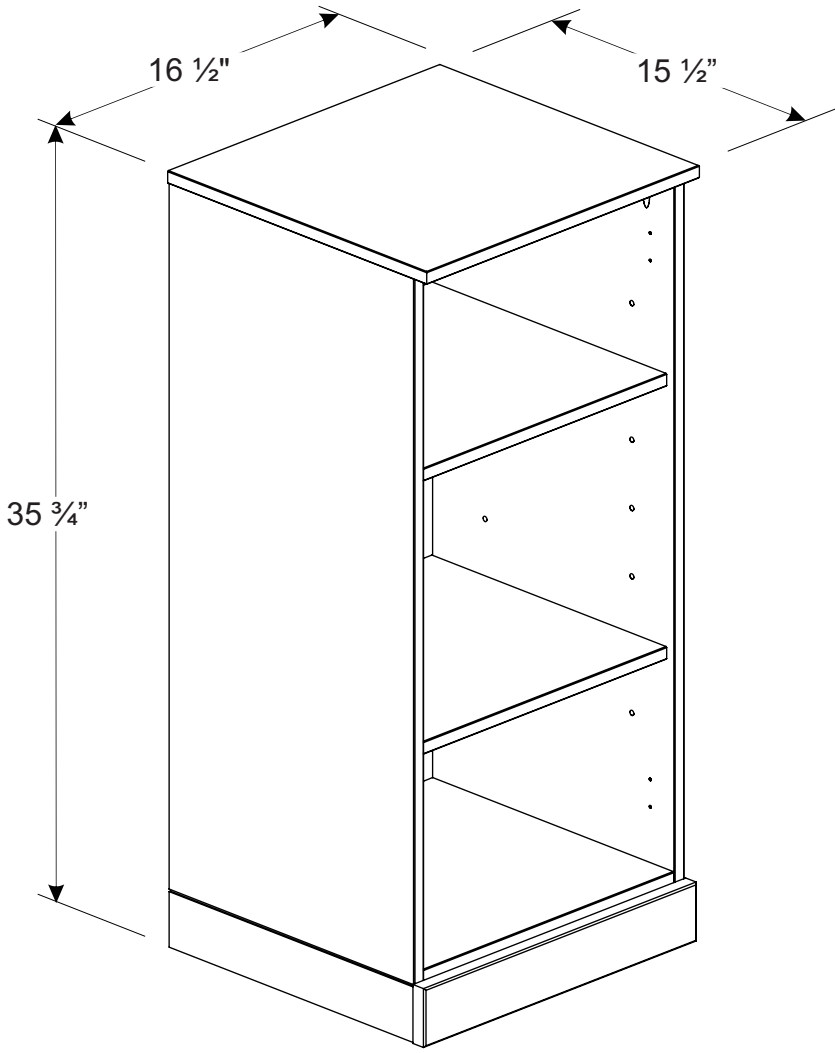


ASSEMBLY GUIDE

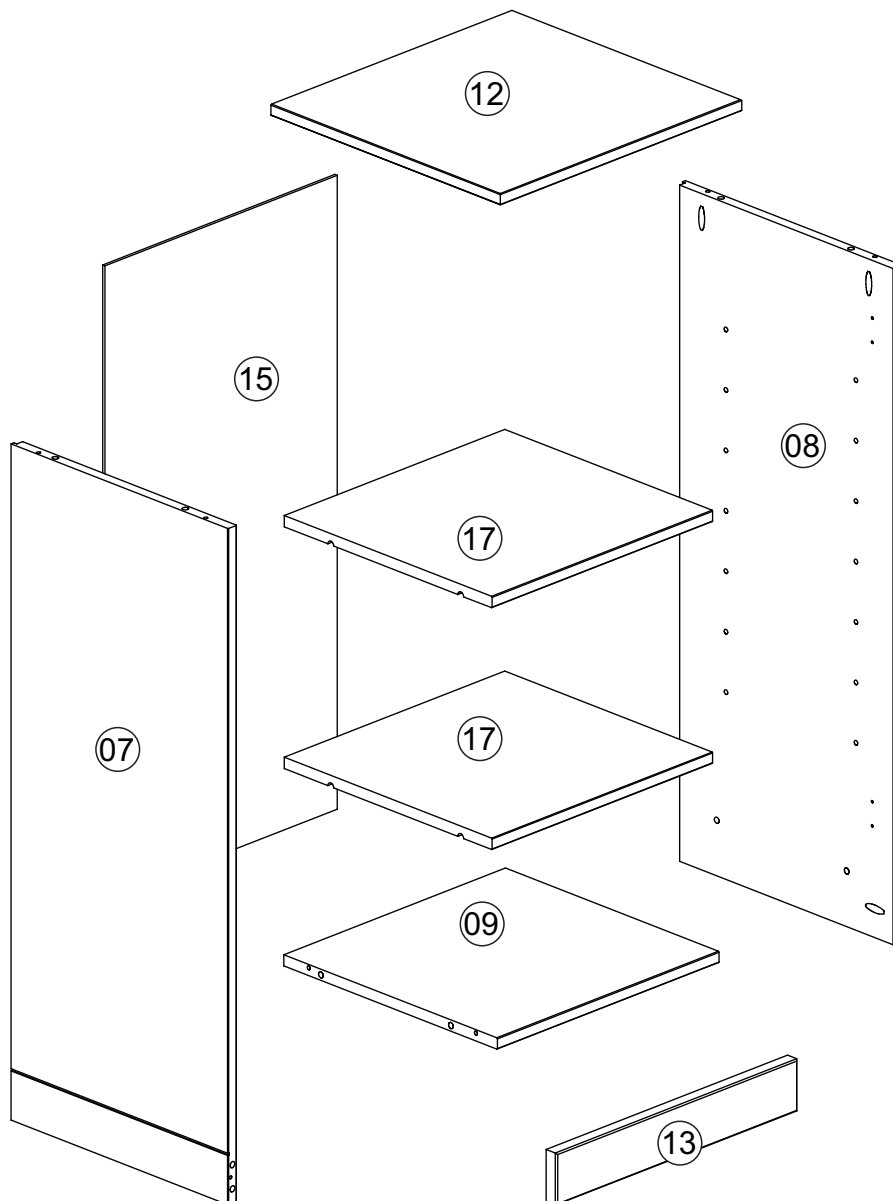
PANTRY 1-DOOR CABINET




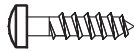
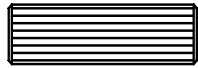
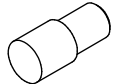
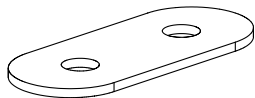
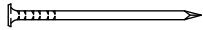
PRE-ASSEMBLY PREPARATION

- Please check the contents before assembling. A full checklist of parts is provided below.
- If any parts are missing or damaged, please contact us
- Assemble on a flat, smooth surface on top of a blanket.
- Use only low-speed power drill setting.
- Assemble as near as possible to the point of use.
- The hardware pack contains SMALL ITEMS which should be KEPT AWAY FROM YOUNG CHILDREN.

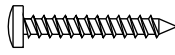
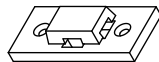

PARTS DIAGRAM



SCREWS ARE SHOWN IN ACTUAL SIZE

A1	 4,0x30	10+1
A44	 3,5x14	4+1
C2	 8,0x25	12+1
D4		08+1
D48	 31x13	02
G1	 10x10	30

FURNITURE TIP-OVER RESTRAINT

A8	 3,0x20	02+1
F8		02
F9		01

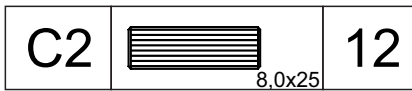
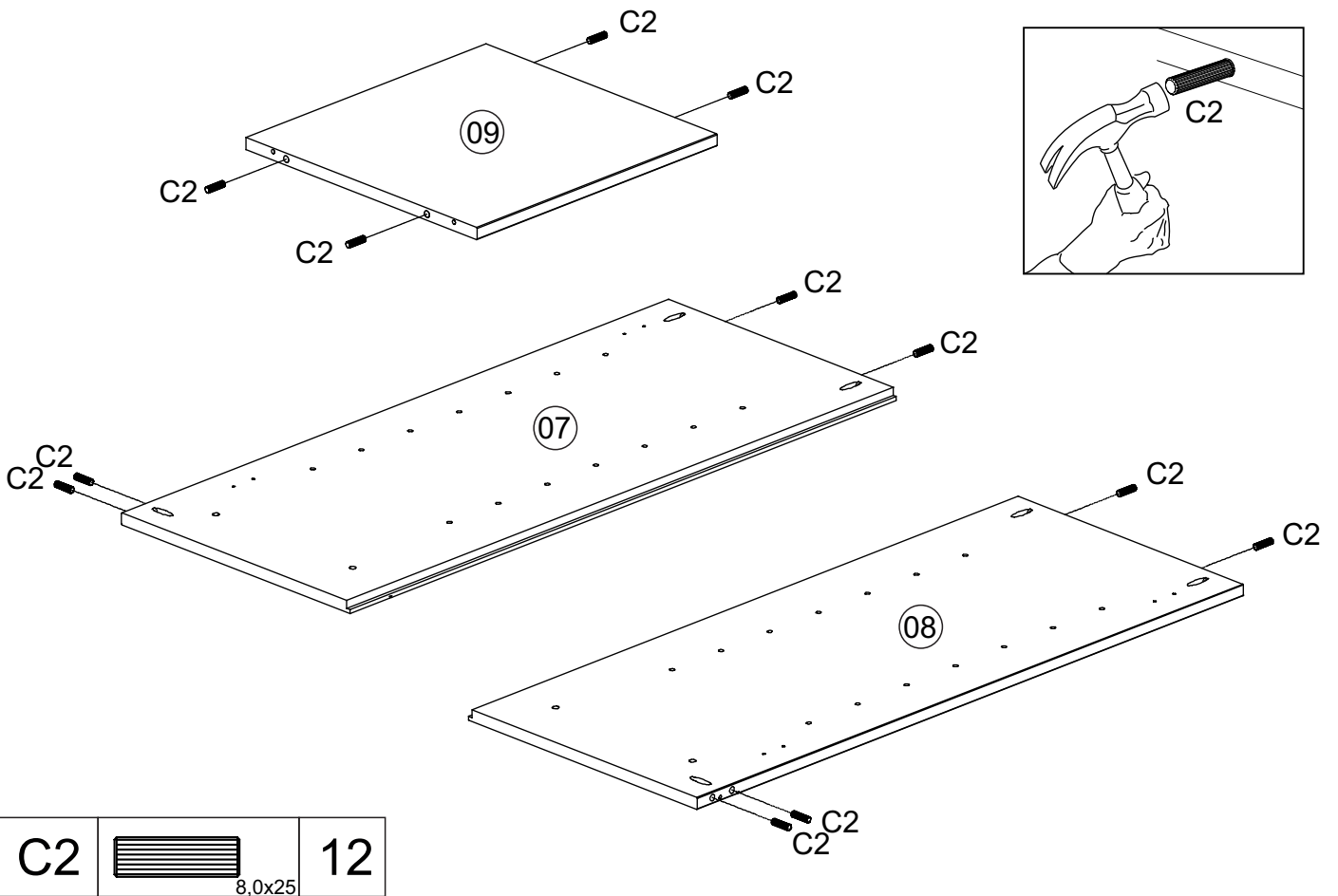
! WARNING:
CHOKING HAZARD
 Small Parts.
 Adult Supervision Required.
 Not for children under 3 years old.

! WARNING:

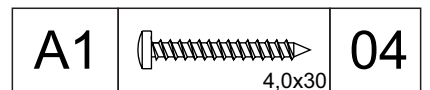
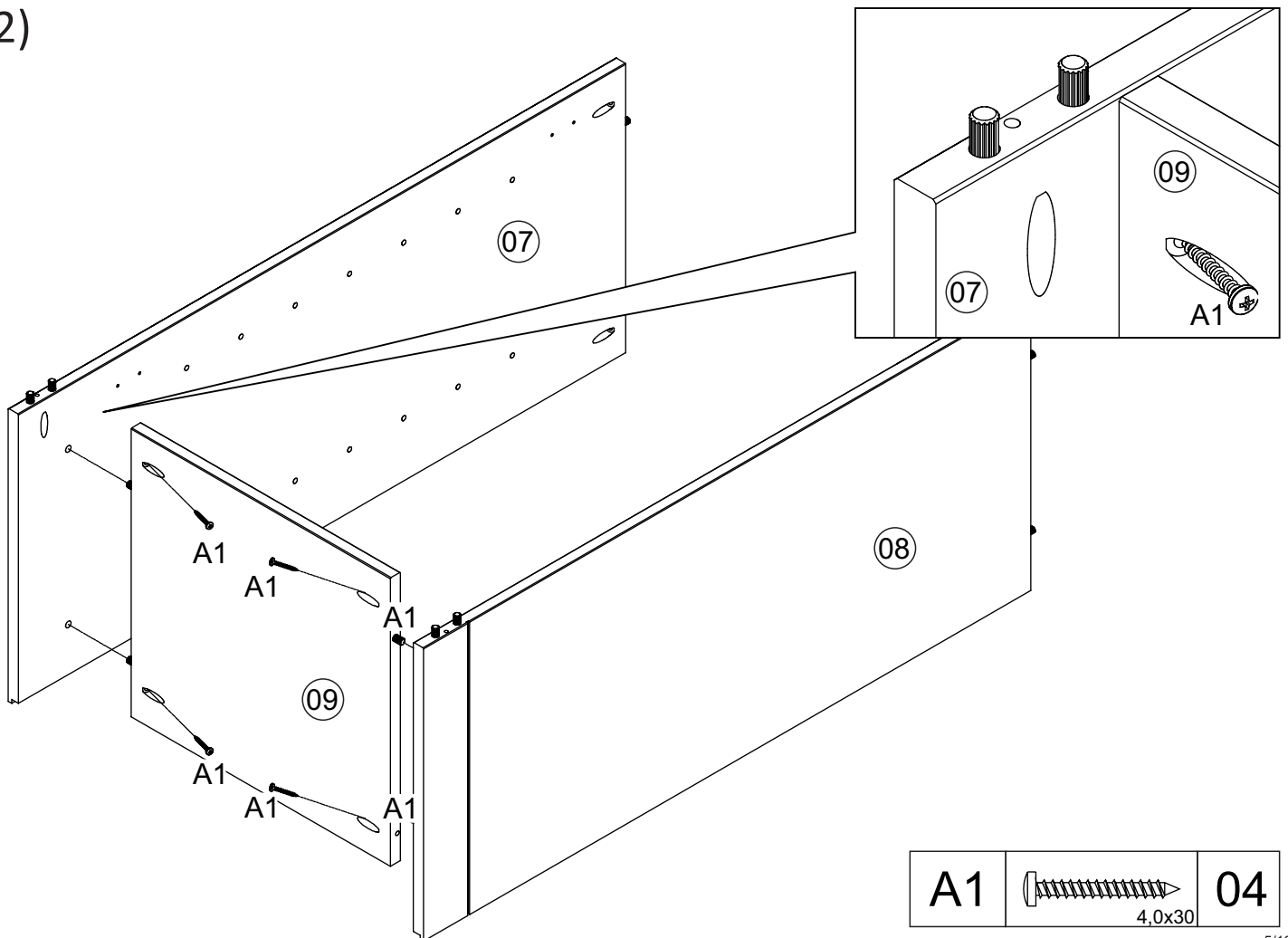
**FURNITURE TIPOVER CAN RESULT
 IN SERIOUS INJURY OR DEATH**

This wardrobe includes tipover-
 prevention hardware that
MUST BE ATTACHED TO THE WALL
 per the assembly instructions.

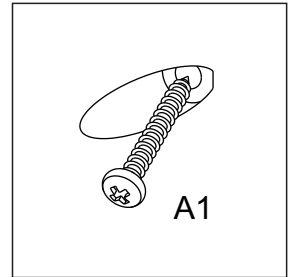
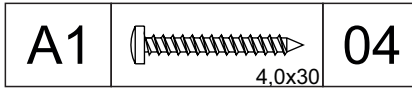
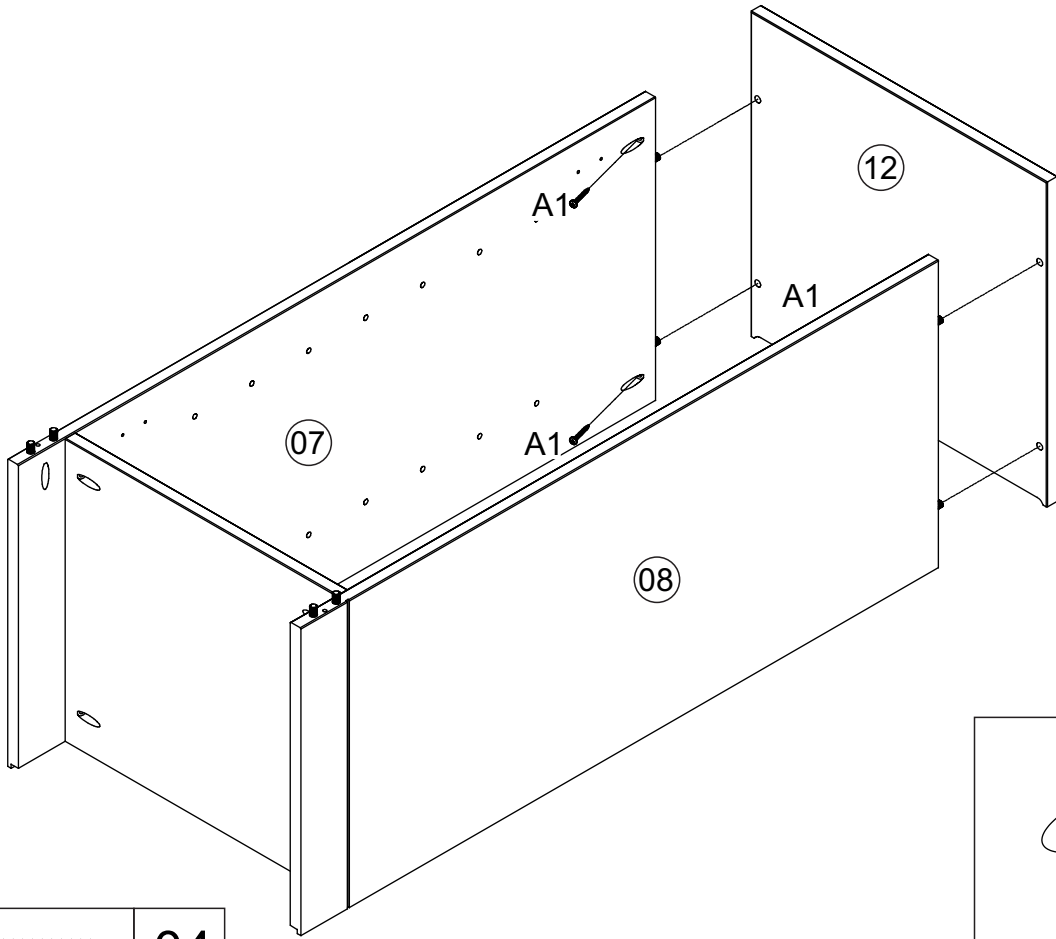
01)



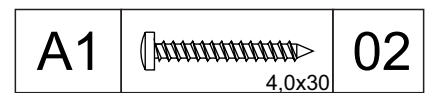
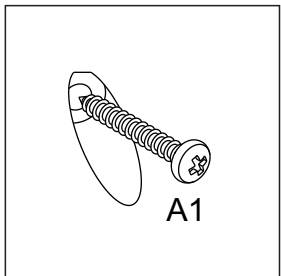
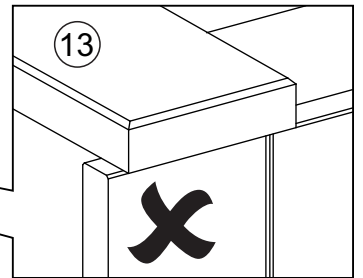
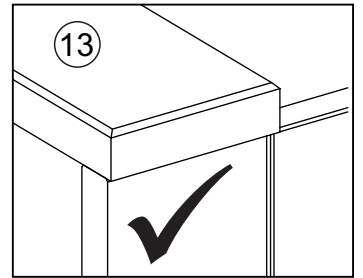
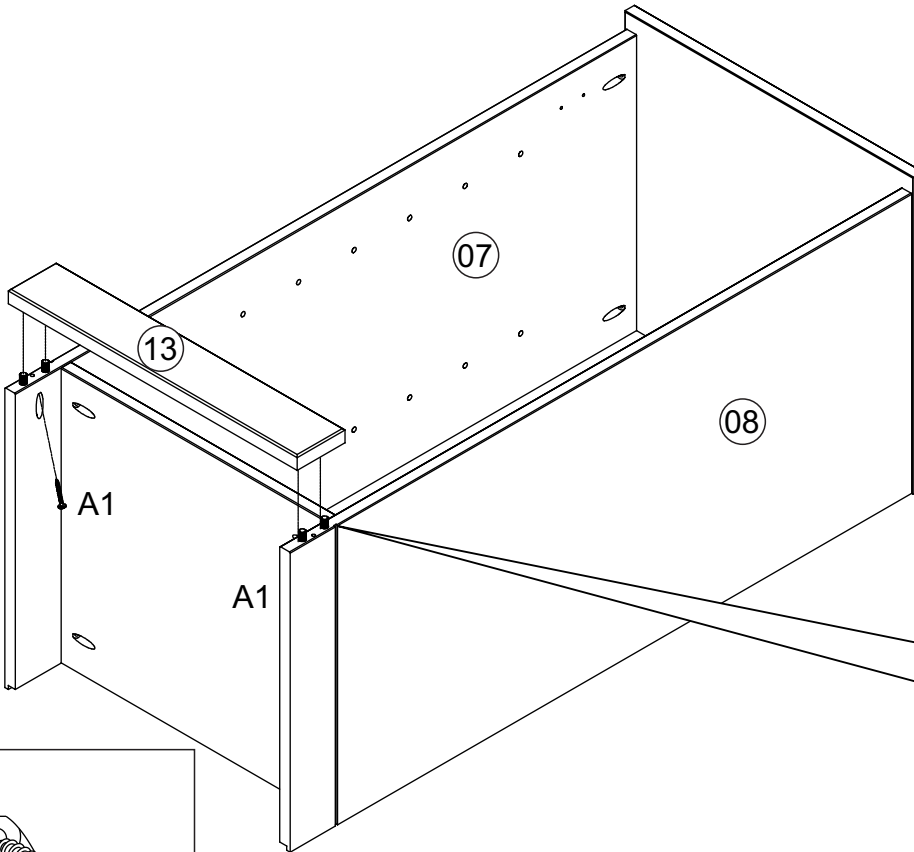
02)



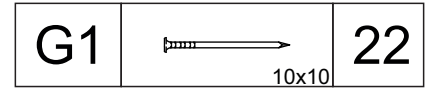
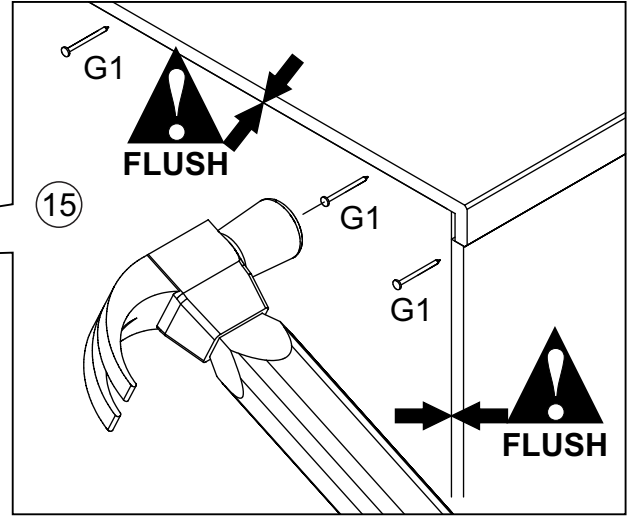
03)



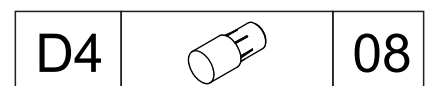
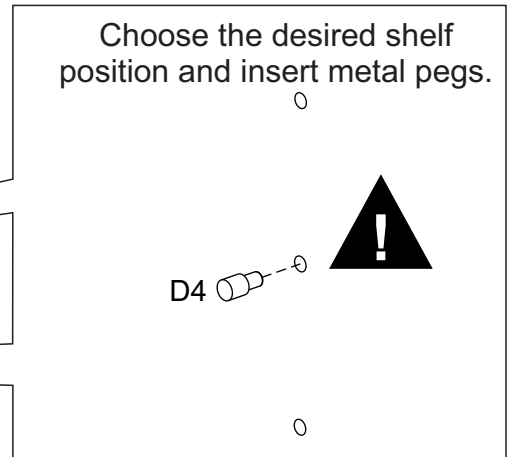
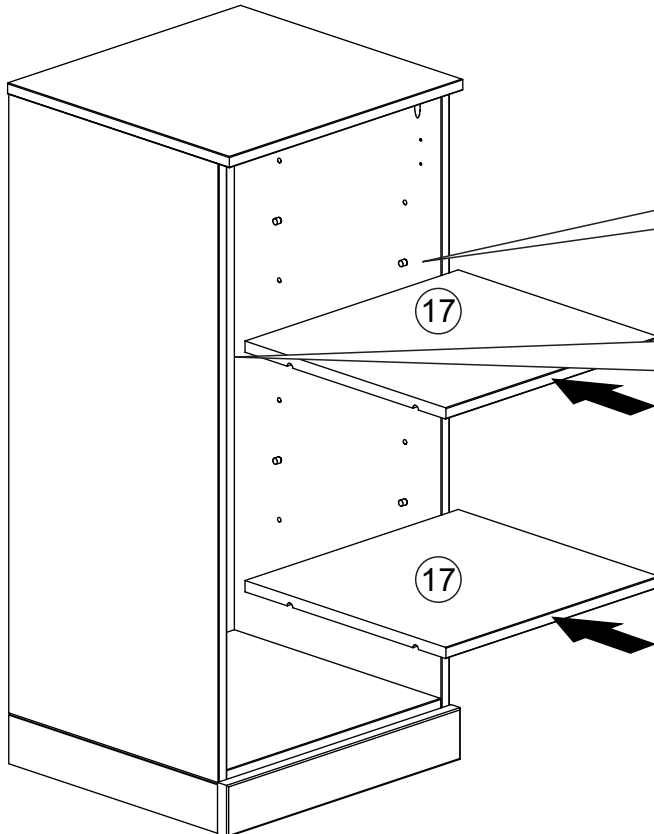
04)



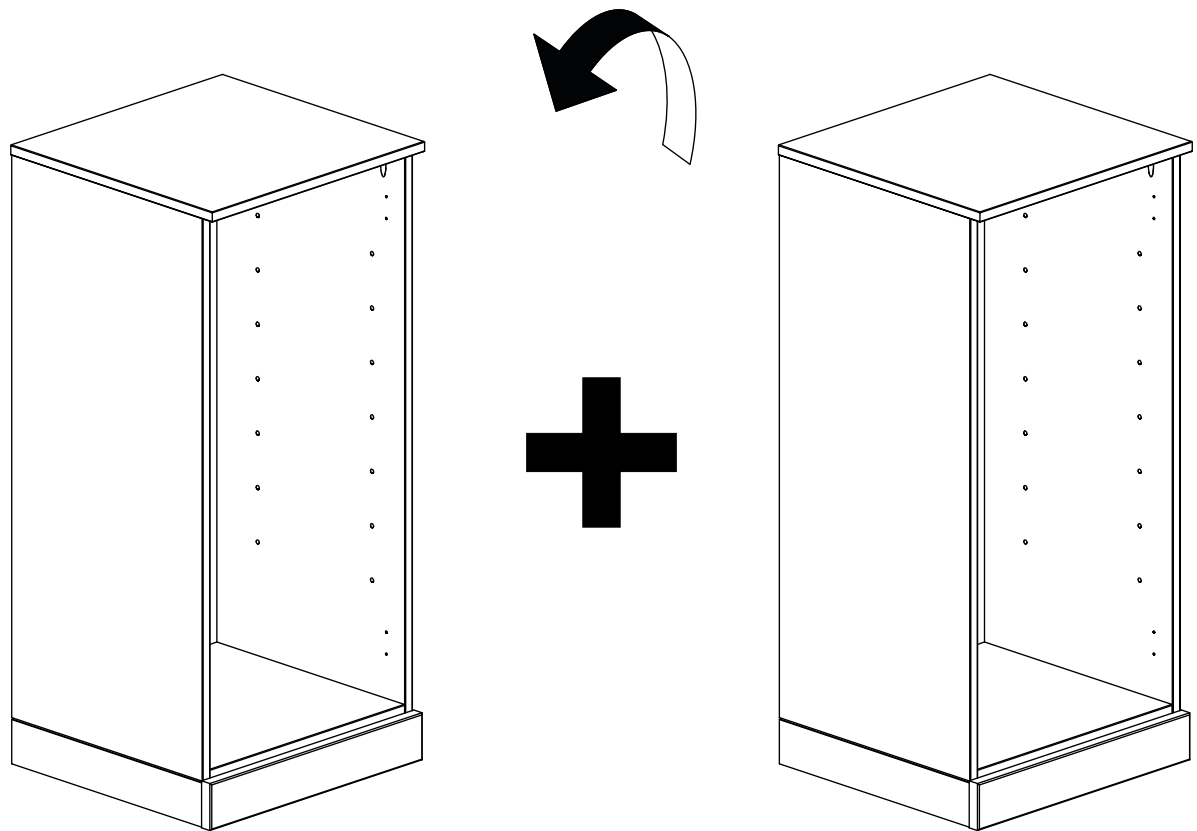
05)



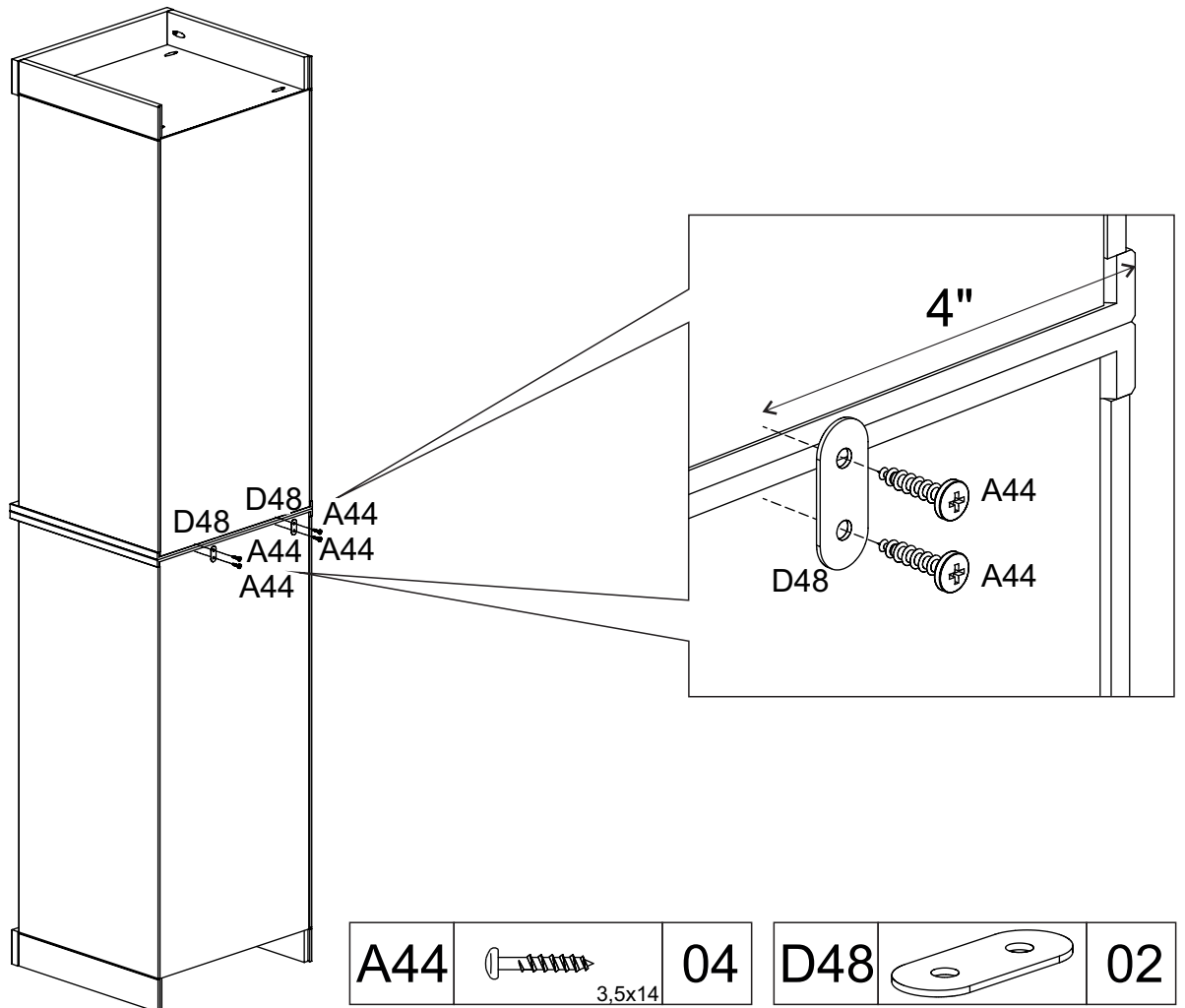
06)



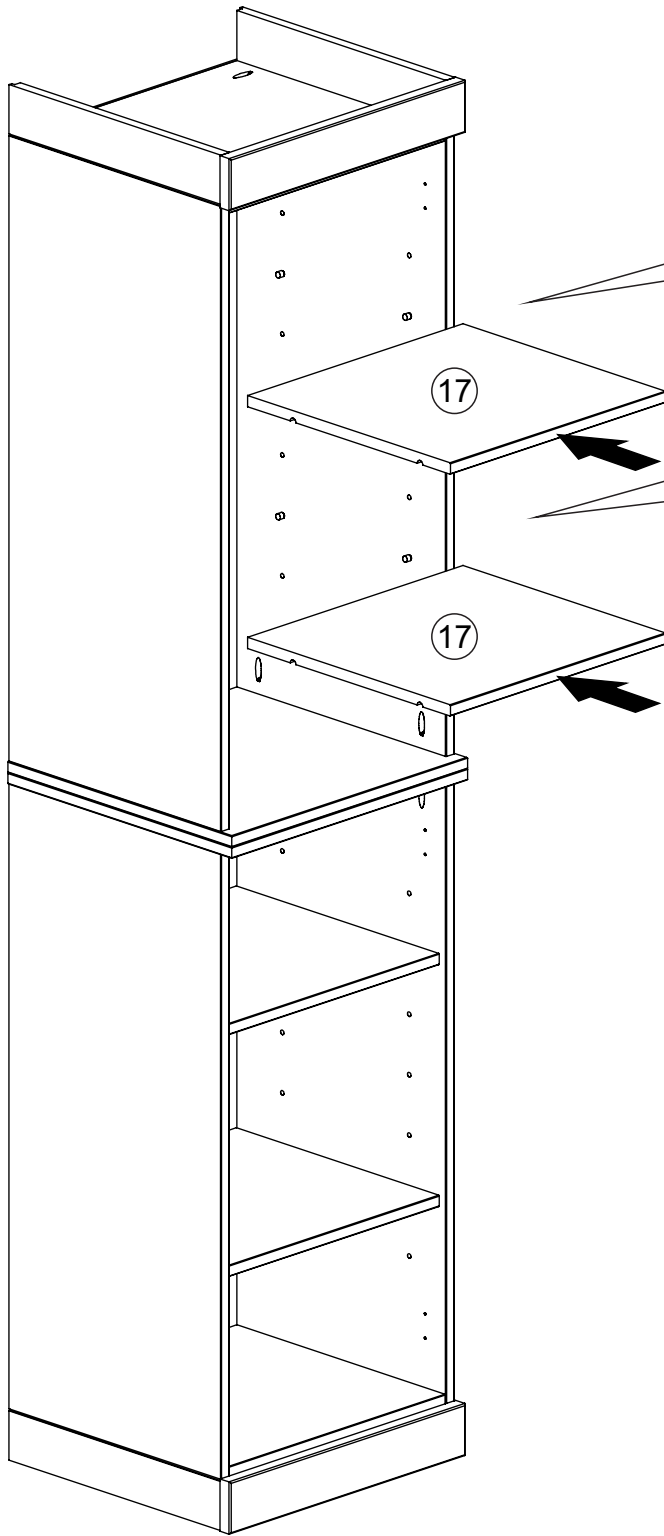
07) Connecting top and bottom cabinets
(2 cabinets must be purchased).



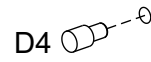
08)

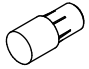


09)

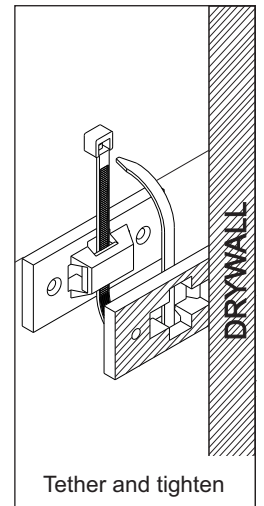
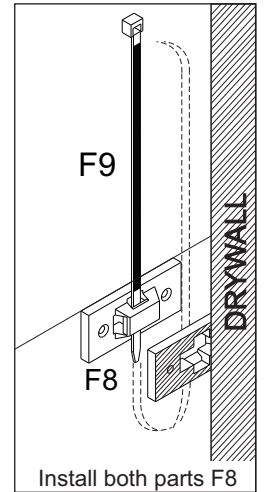
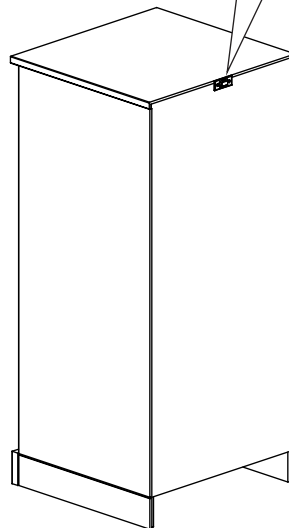
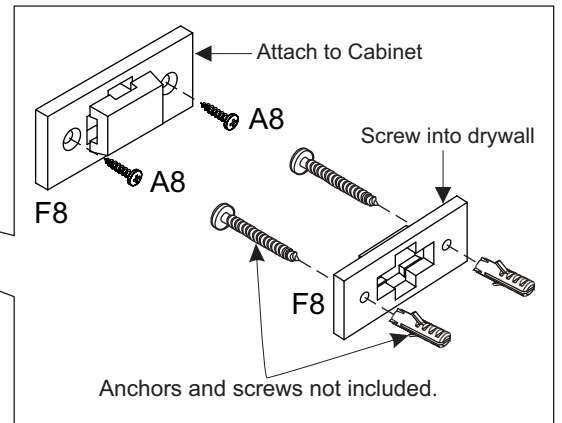
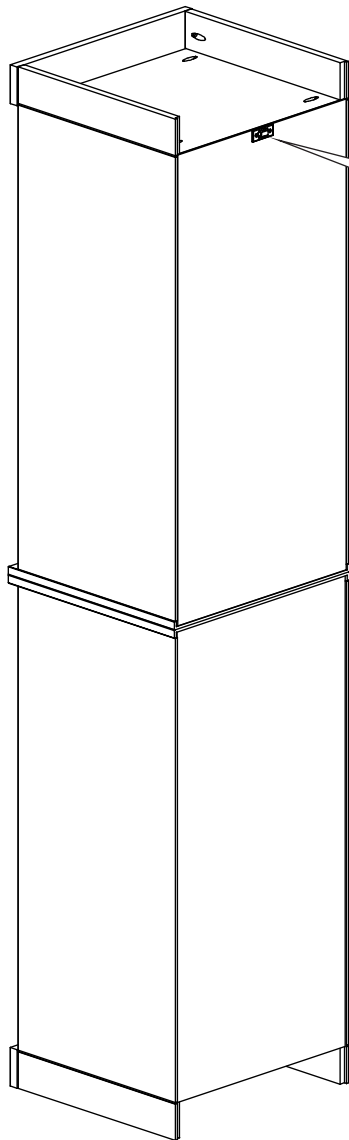
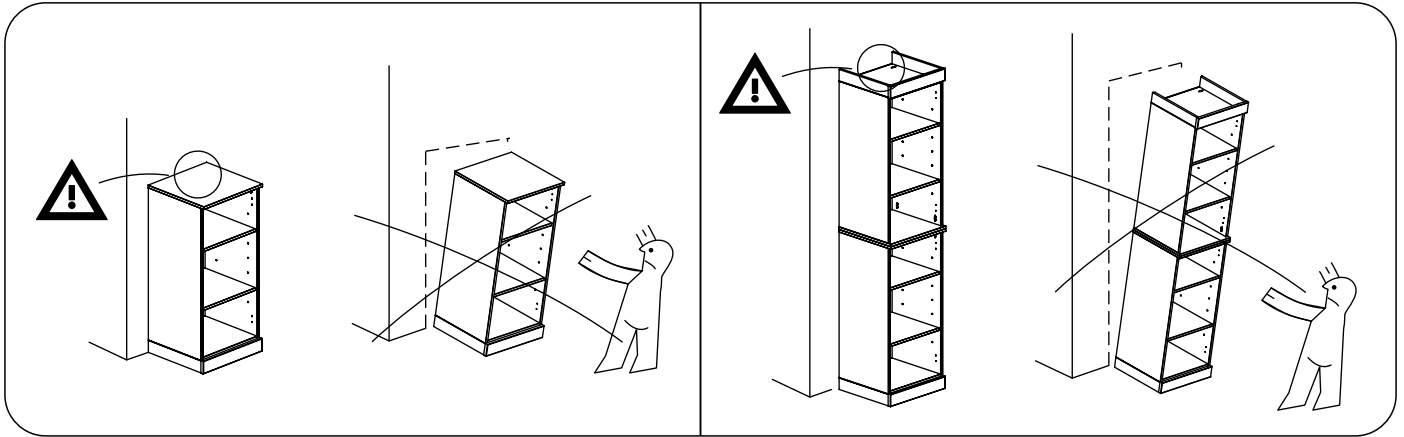



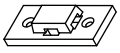

Choose the desired shelf position and insert metal pegs.



D4		08
----	---	----

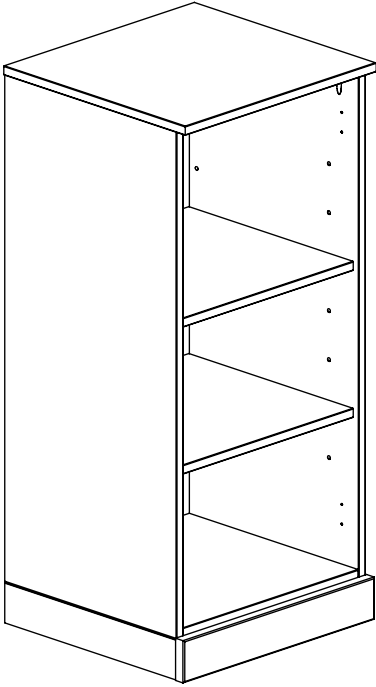
10) FURNITURE TIPOVER PREVENTION KIT INSTALLATION



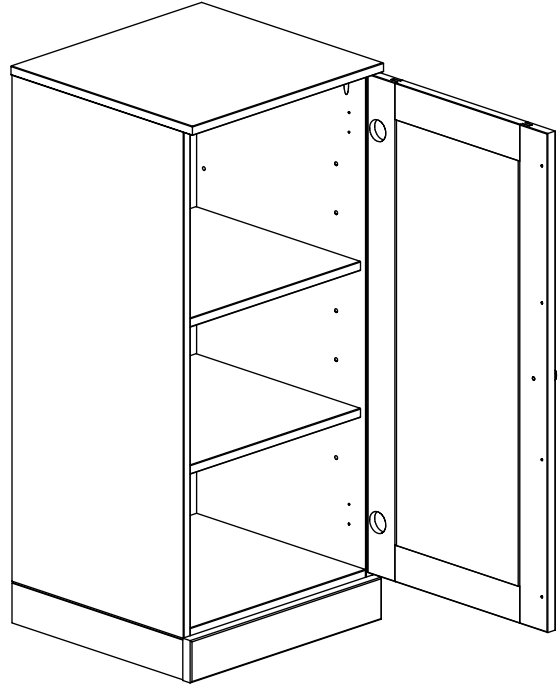
A8	 3.0x20	02
F8		02
F9		01

11) Multiple configurations are possible by purchasing additional

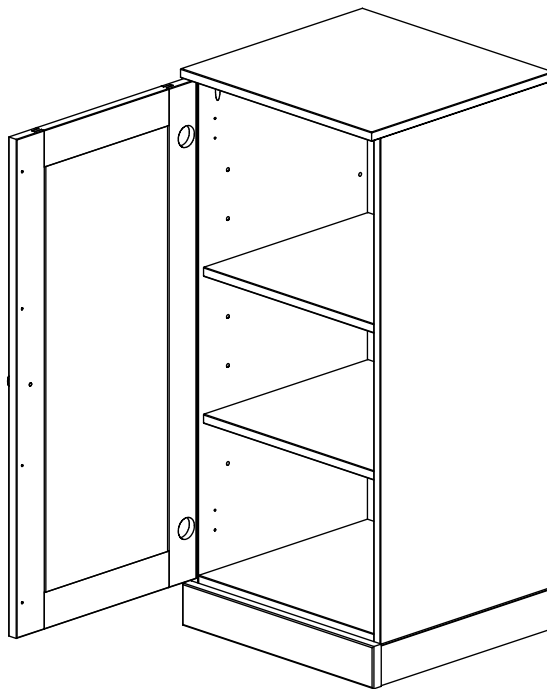
- cabinets
- raised panel doors
- clear glass doors



Cabinet

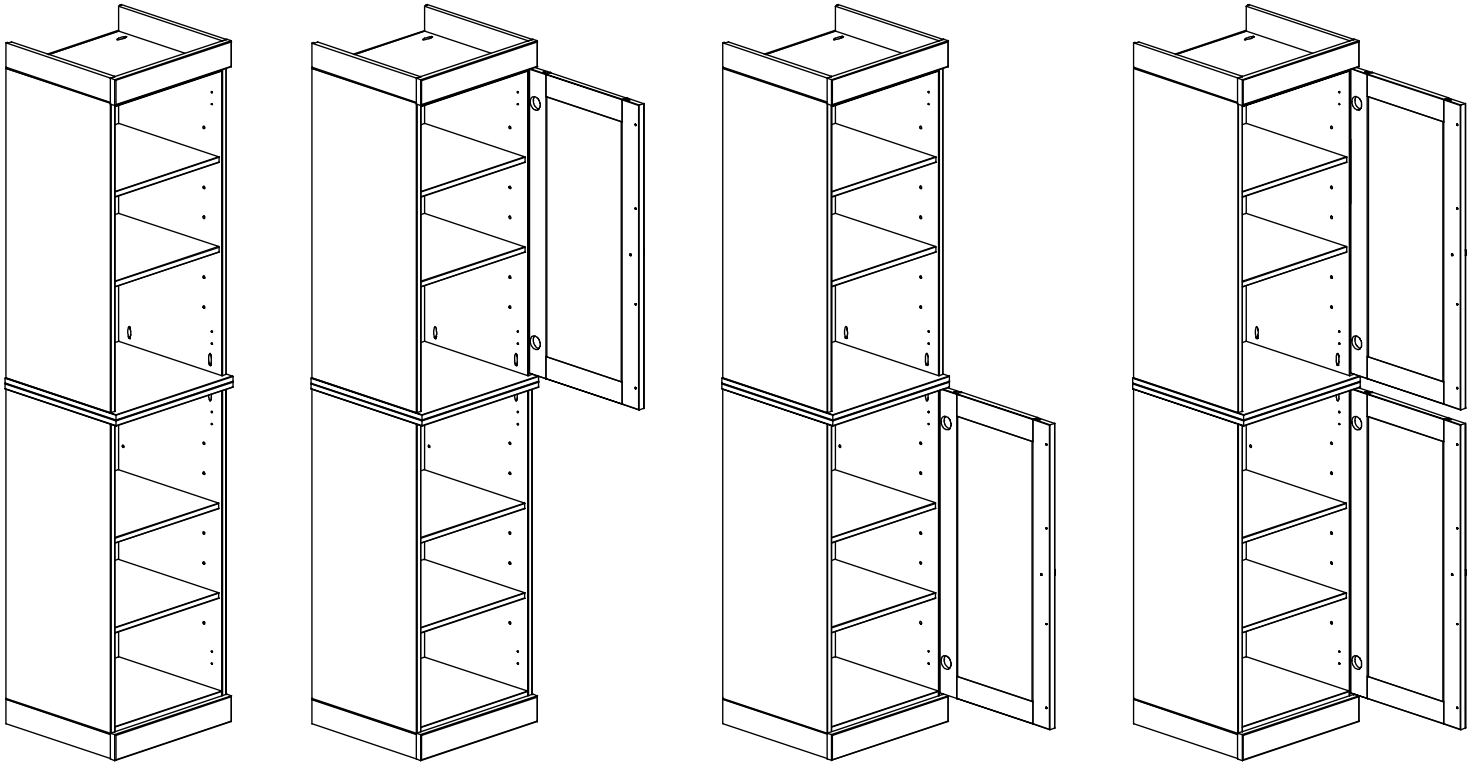


Cabinet+Door on the right



Cabinet+Door on the left

12) Additional possible configurations with the door on the right.



13) Additional possible configurations with the door on the left.

