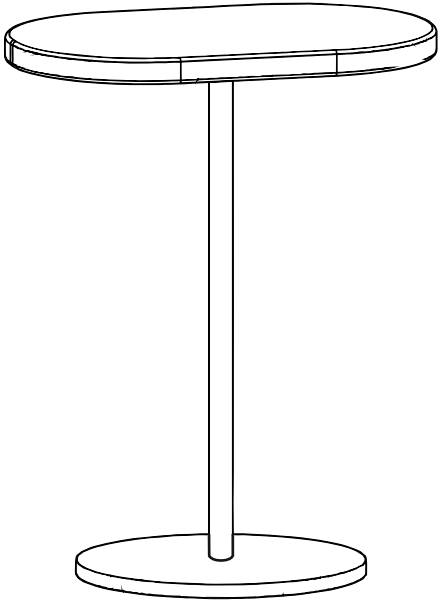
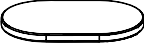
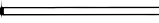



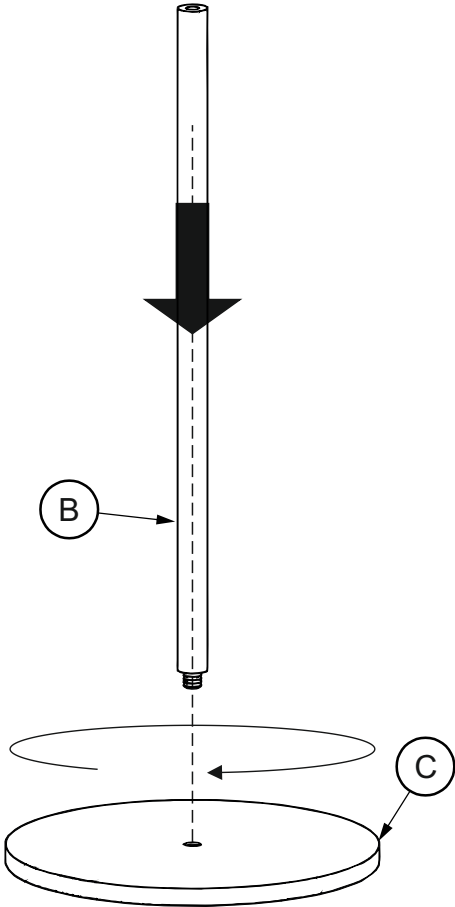
ASSEMBLY INSTRUCTION FOR

END TABLE

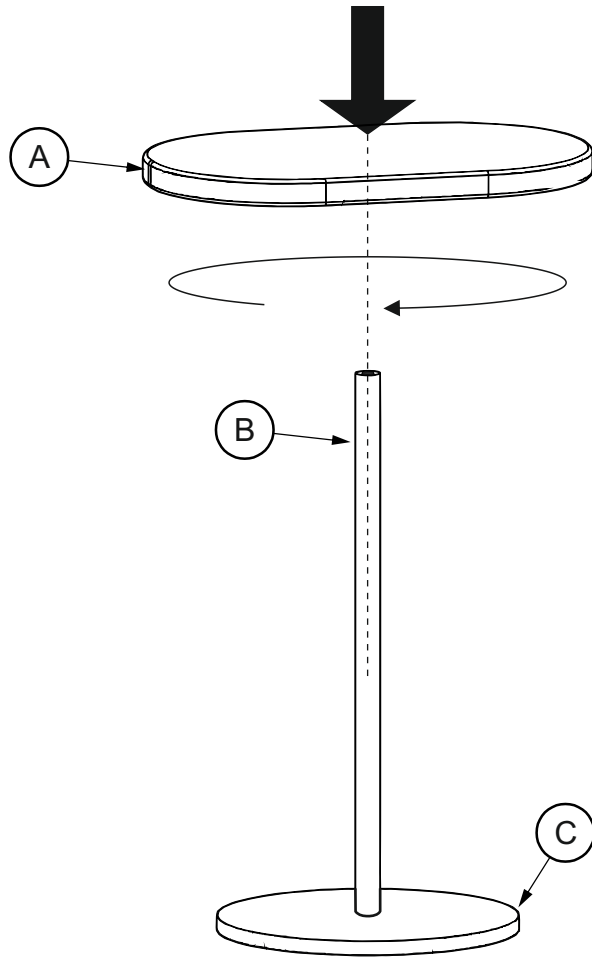


HARDWARE LIST				
A		GLASS TOP	317 X 210 19mm.	1
B		MID POST	Ø19 X 406 mm	1
C		BASE	Ø216 X 12mm	1

Step 1



Step 2



Step 3

