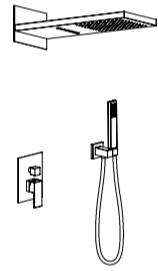


## Instruction for installation and use of shower head



The product is subject to standard design. Thank you for purchasing this product. Please read this instruction carefully before using it.

This product is designed to your benefit, under a year 10-year warranty, under our full warranty. All information is written based on the latest published product information to write the characteristics, packaging or product types. The manual includes important contents about installation, maintenance and cleaning. Please give these materials to users for reading.

### Contents

1. Installation environment	1
2. Install the auxiliary tool	2
3. Packing list	3
4. Installation dimensions	4
5. Installation process and methods	5
6. Repair and maintenance	10

## 1. Installation environment

1. During installation, carefully observe the water inlet pipeline is properly installed and has been flushed with water, ensure no impurities in the water inlet pipeline.
2. The valve core of the thermostatic faucet has been tested and debugged by the factory. Please do not disassemble it yourself.
3. The size of the packaged faucet matches the size of the faucet mounting hole.
4. Make water pressure requirement: 0.05MPa, inlet pressure: 0.5MPa. To ensure the good use of the faucet, please keep the water supply pressure of cold and hot water balanced.
5. Water temperature requirements: the cold water temperature is 20-25°C (68-77°F), the hot water temperature is 55-60°C (131-142°F), and the recommended control valve is hot water temperature is 55-60°C (131-142°F). Please prohibit the use of hot and cold water supply pipes in buildings, and the medium temperature is not more than 100°C. Cannot be used for other fluid and non-pressure supply water or other purposes. Please note that the product or parts may be damaged if the environmental temperature of the product is too low (below 0°C/32°F) or too high (above 100°C).
6. When installing the faucet, be sure to secure the hot and cold water inlet ends of the faucet and indicate the water and flow direction (cold water).
7. During the installation of accompanying products such as hoses, it should be controlled and protected. If there is a problem, please stop and stop working on the surface. It must be cleaned within 30 minutes.
8. If customers use hot for a long time or don't use the faucet for a long time, please close the main valve of the faucet first and turn on the faucet switch to drain the pressure and accumulated water in the faucet.

- 1 -

## 2. Installation of auxiliary tools



- 2 -

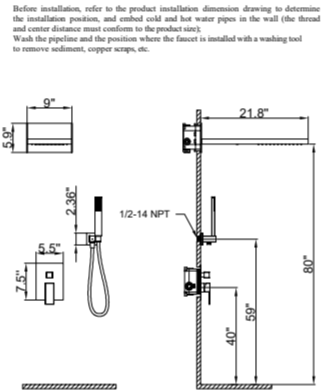
## 3. Packing list

When you open the product package, please count the accessories with the packing list. If there is a shortage, please contact the dealer soon. The following figure and table are for reference only. Note: The product appearance may be different.

No.	Name	Quantity
1	Faucet	1
2	Hot Water Control	1
3	Cold Water Control	1
4	Decorative Water Stop	1
5	Hot Water Filter	1
6	Cold Water Filter	1
7	Hot Water Seal	1
8	Cold Water Seal	1
9	Hot Water Control	1
10	Cold Water Control	1
11	Hot Water Control	1
12	Cold Water Control	1
13	Decorative Water Stop	1
14	Hot Water Filter	1
15	Cold Water Filter	1
16	Hot Water Seal	1
17	Cold Water Seal	1

- 3 -

## 4. Installation size

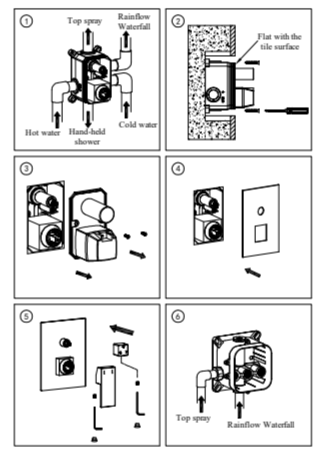


- 4 -

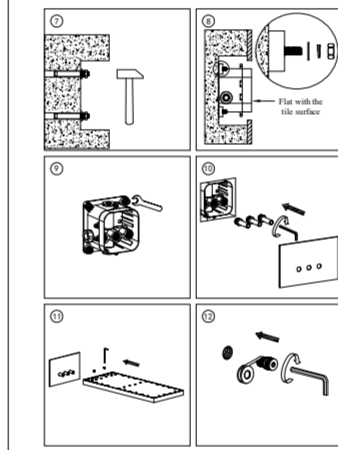
## 5. Installation items and methods

1. The faucet body has been tested and debugged before leaving the factory. Please do not disassemble it by yourself!
2. Before installing the faucet, please be sure to confirm whether the water inlet pipeline and angle valve are correctly installed. The expansion and damage on the installed water pipe have been corrected to avoid blocking the faucet and affecting the water outlet function.
3. After installation, please check whether the joints are tightly connected and whether the pipe is leak.
4. The working water pressure of the faucet is 0.05MPa or less, and the water inlet pressure is 0.5MPa or less.
5. When installing and using the faucet, please use normal torque to prevent the handle and hot from being broken.
6. When using, please turn on cold water first, and then turn on hot water to adjust the temperature, so as not to burn.
7. Users must cover and protect the accompanying products such as faucets when installing them. If there is a problem, please stop work and stop working on the surface. It must be cleaned within 30 minutes.

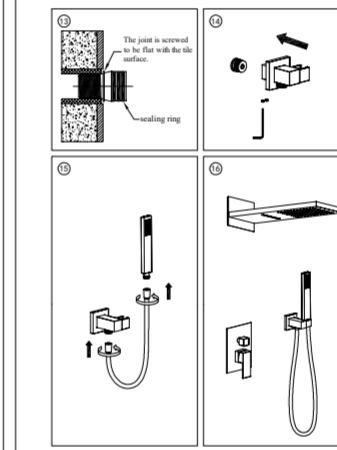
- 5 -



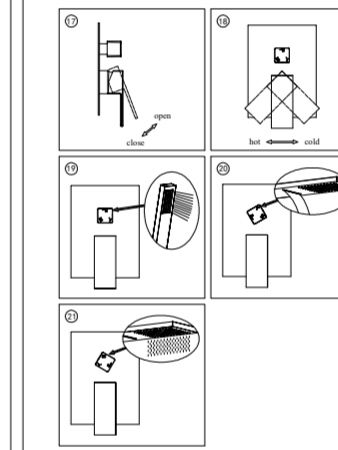
- 6 -



- 7 -



- 8 -



- 9 -

## 6. Repair and maintenance

1. To keep the faucet bright and clean, please clean the faucet frequently or regularly.
2. Rinse with water only, and dry the faucet with soft cotton cloth.
3. Do not use detergent containing coarse particles such as cleaning powder or polishing powder, nylon brush, emery cloth or sandpaper, avoiding scratching the product.
4. Do not use any acidic cleaning agent or rough cleaning agent or soap to polish.
5. When the water flow of the faucet is obviously reduced, please clean the filter screen of the shower head and the rubber particle hole of the shower head, so as not to affect the water flow of the shower head or to block it. Example: The water flow of the shower head is obviously reduced or some other particles do not enter use. Please clean the rubber particle of the shower head. Note: Use soft washing brush to make holes in the rubber particle at the shower head.
6. If a lot of cleaning work is needed, please follow the following procedures:
  - A. Use clean water and soft cloth to remove dirt and scale film on the surface as far as possible.
  - B. The edge of the following cleaning agent is necessary to clean the dirt and scale film. Mild liquid detergent.
  - C. Clean the glass shower panicle shower that has no grinding effect and can be completely dissolved (and stored according to the manufacturing instructions).
 Pay attention to the following:
  - A. Soften the dirt can be soaked in hot vinegar, then wiped with water and scrubbed with toothbrush or soft nylon brush or cloth.
  - C. After cleaning, please remove all cleaning agents with clean water and wipe them dry with soft cotton cloth.

- 10 -