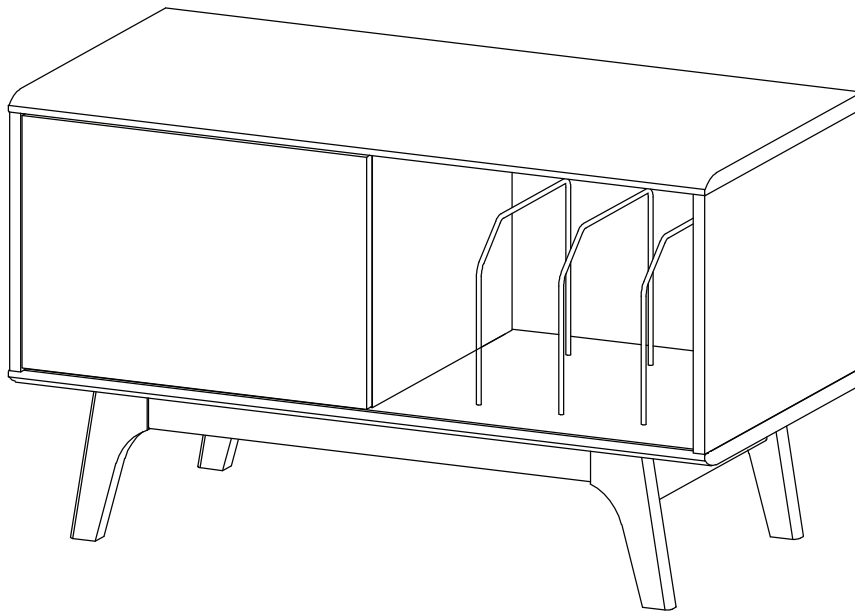


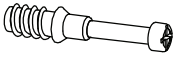


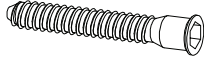



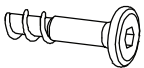




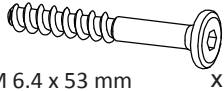



CABINET

Thank you for purchasing the **CABINET** !Before you start, here are some helpful advice:

1. We suggest you spend a short time reading through this leaflet and then follow the simple step-by-step instructions.
2. Owing to the size and weight of the Cabinet, we recommend that it is assembled by two adults, on a carpeted or padded area, in the room that it is intended for. Approximate assembly time: 60 minutes.
3. Please do not use any tools other than those provided or recommended in these instructions.
4. Please do not throw away any of the packaging or instructions until you have checked all the components and hardware and the furniture is fully assembled.
5. Assemble all components loosely until advised to tighten. Depending on use, it may be necessary to tighten the components from time to time, so please save the tools that have been provided.
6. Please keep all pieces out of reach of children.

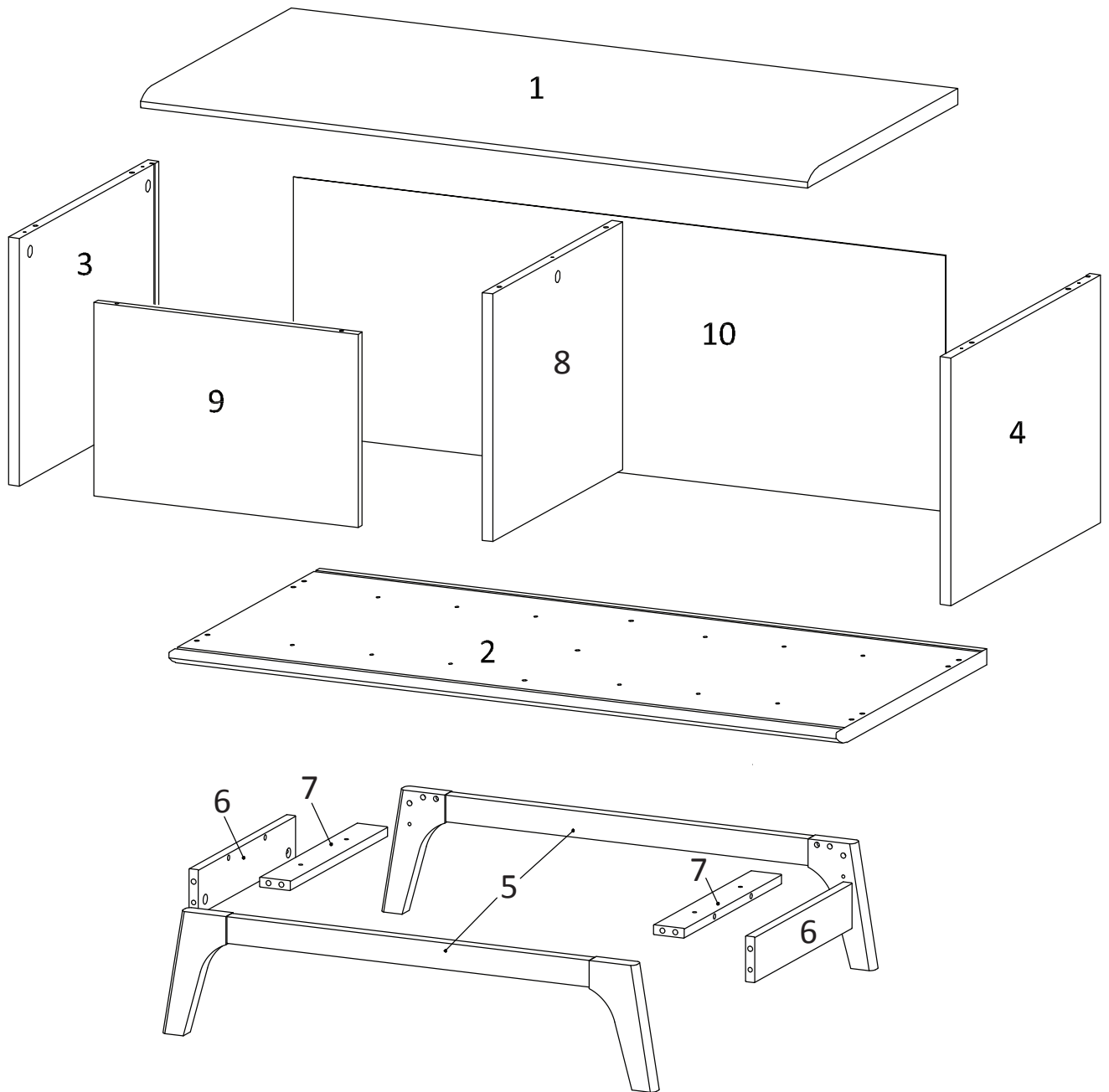


Hardware :

| | | | | |
|---|--|---|---|--|
| A) Cambolt/Metal  \varnothing 6 x 35 mm x 9 | B) CamLock/Metal  \varnothing 15 mm x 9 | C) Dowel/Wood  \varnothing 8 x 30 mm x 32 | D) Screw/Metal  M 7 x 50 mm x 5 | E) Hex /Allen Key/Metal  L 4 x 1 |
| F) Wedge/Plastic  9 x 14 x 10 mm x 8 | G) Screw/Metal  M 3.5 x 15.5 mm x 8 | H) Screw/Metal  M 6.4 x 25 mm x 4 | I) Pin Sliding Top/Plastic  \varnothing 8 x 19 mm x 2 | J) Pin Sliding Bottom/Plastic  \varnothing 8 x 16 mm x 2 |
| K) Bumper/Silicone  \varnothing 8 mm x 2 | L) Floor Protector/Sponge/Felt  25 x 25 x 2 mm x 4 | M) Screw/Metal  M 6.4 x 53 mm x 4 | N) Divider wire/Metal  x 6 | O) Screw Cap/Plastic  \varnothing 15 mm x 5 |
| P) x 1  Screwdriver (Not Include) | | | | |

CABINET

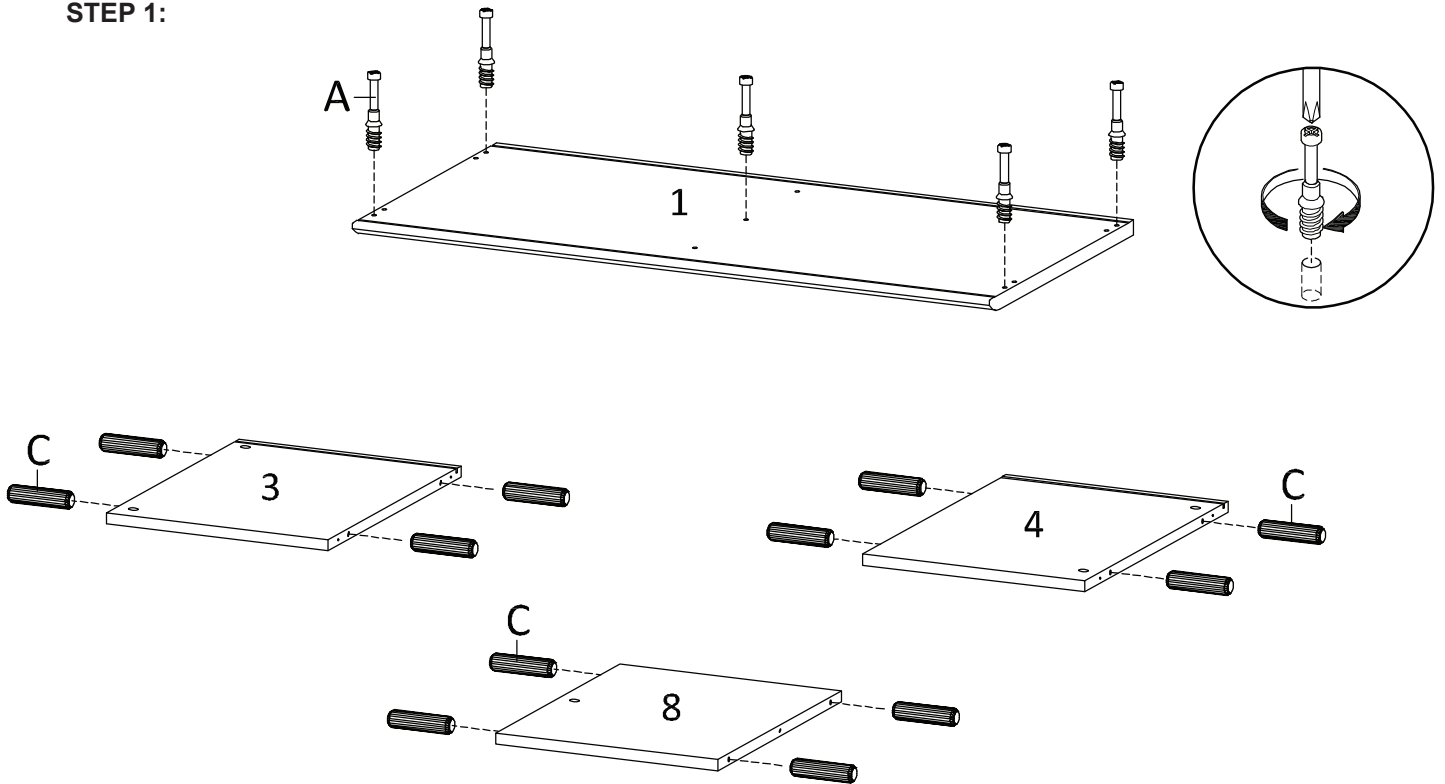
Components:

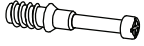

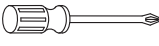


| | | | | | | | | | | | |
|---|--------------|----|----|-----------------|----|---|-----------------|----|---|------------------|----|
| 1 | Top Board | x1 | 2 | Bottom Board | x1 | 3 | Side Board Left | x1 | 4 | Side Board Right | x1 |
| 5 | Assembly Leg | x2 | 6 | Support Board 1 | x2 | 7 | Support Board 2 | x2 | 8 | Center Board | x1 |
| 9 | Wooden Door | x1 | 10 | Back Board | x1 | | | | | | |

CABINET

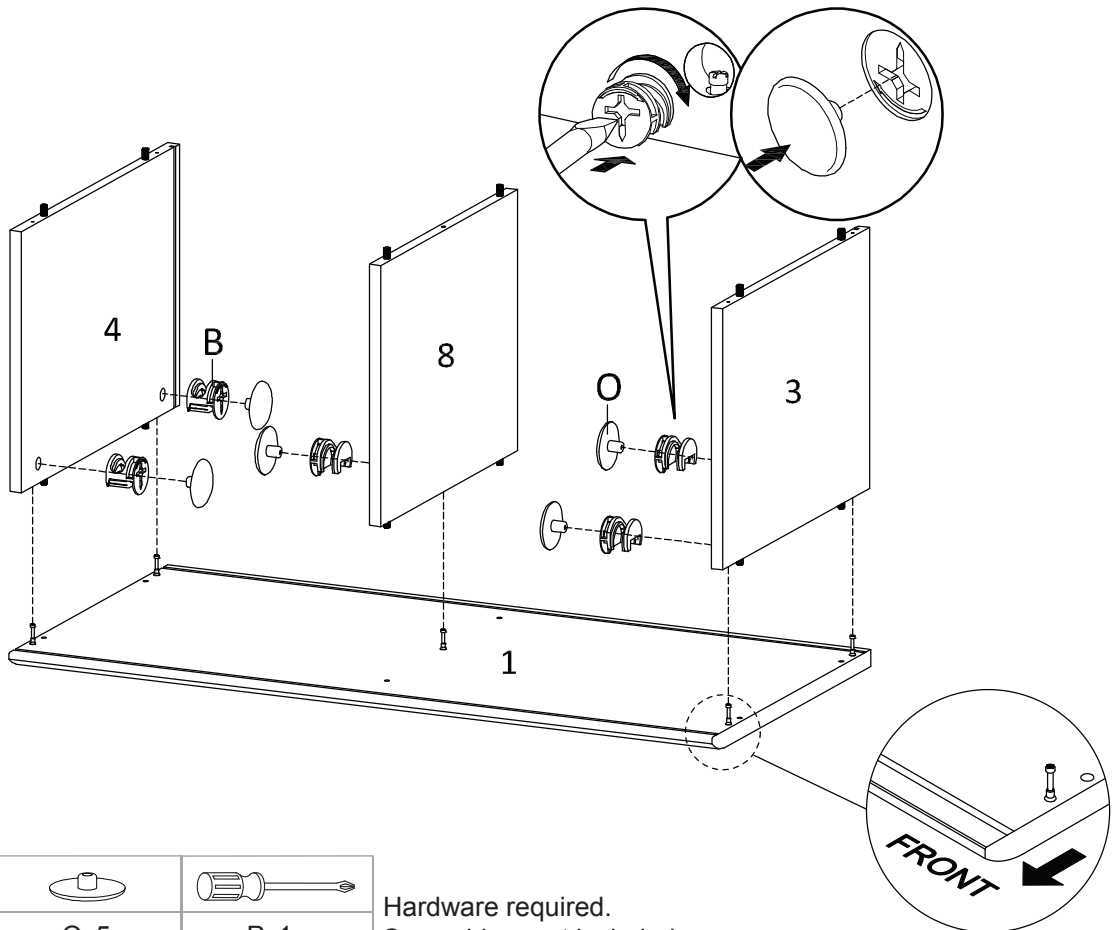
STEP 1:



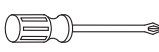


| | | |
|---|---|---|
|  |  |  |
| Ax5 | Cx12 | Px1 |

Hardware required.
Screwdriver not included

STEP 2:

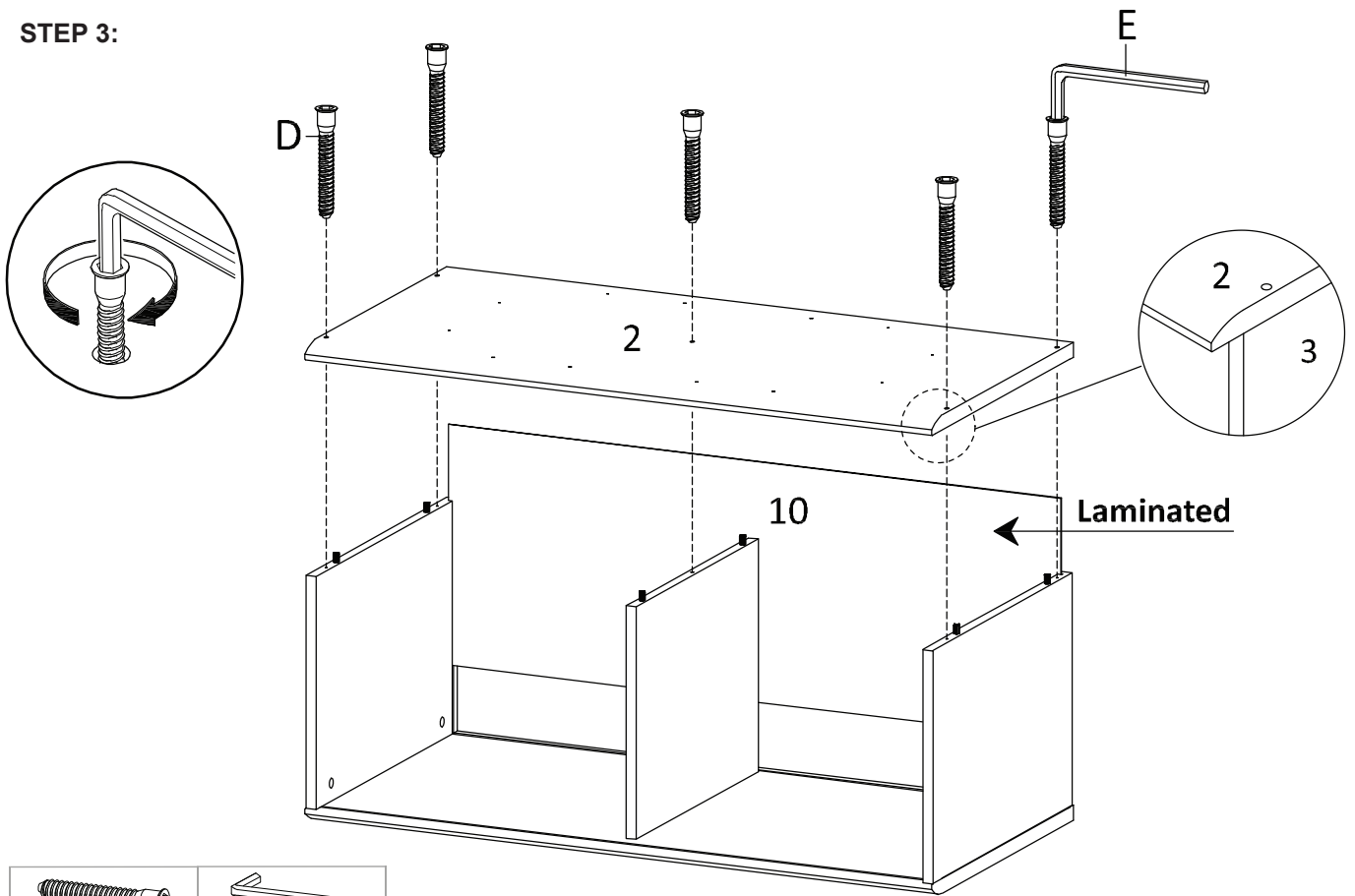




| | | |
|---|---|---|
|  |  |  |
| Bx5 | Ox5 | Px1 |

Hardware required.
Screwdriver not included

CABINET

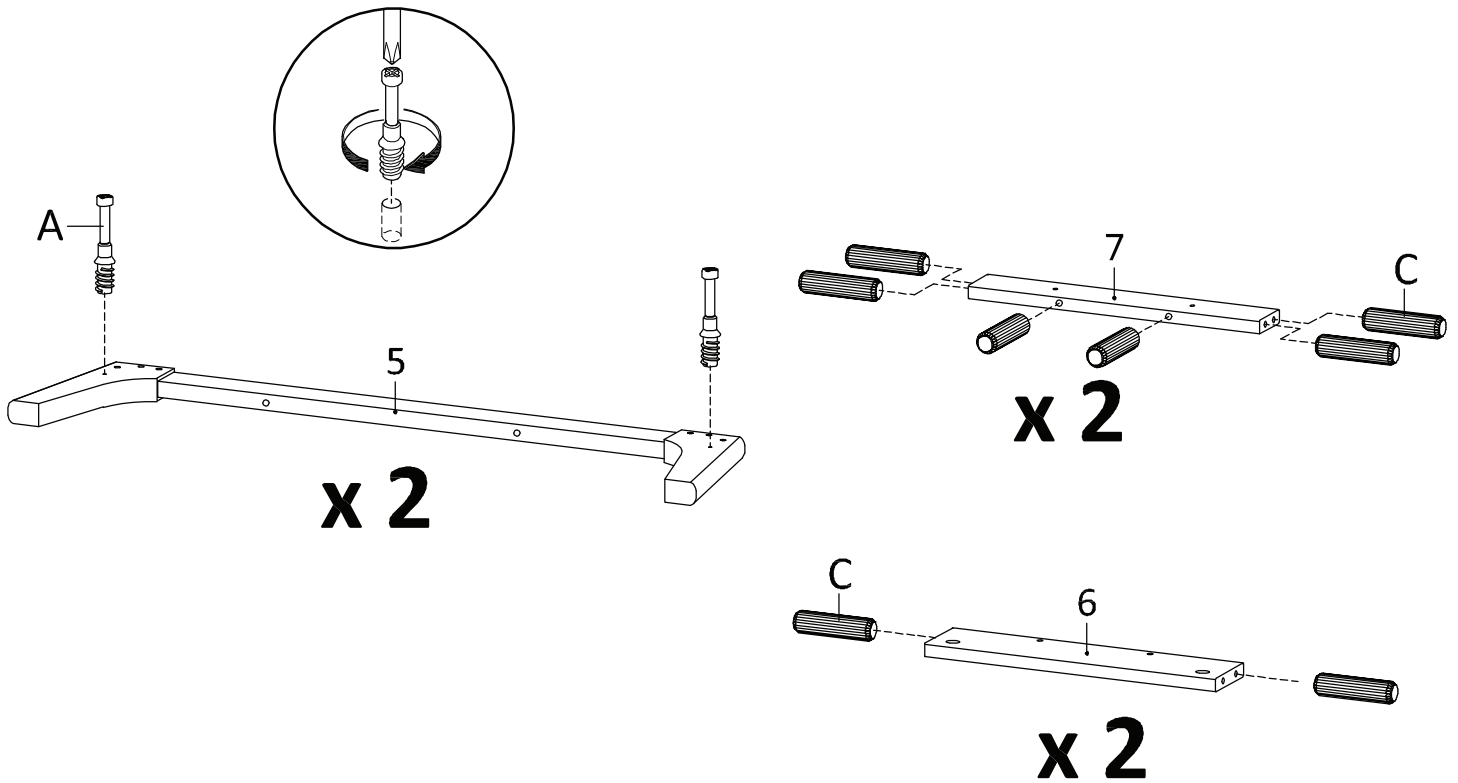
STEP 3:






| | |
|---|---|
|  |  |
| Dx5 | Ex1 |

Hardware required.

STEP 4:

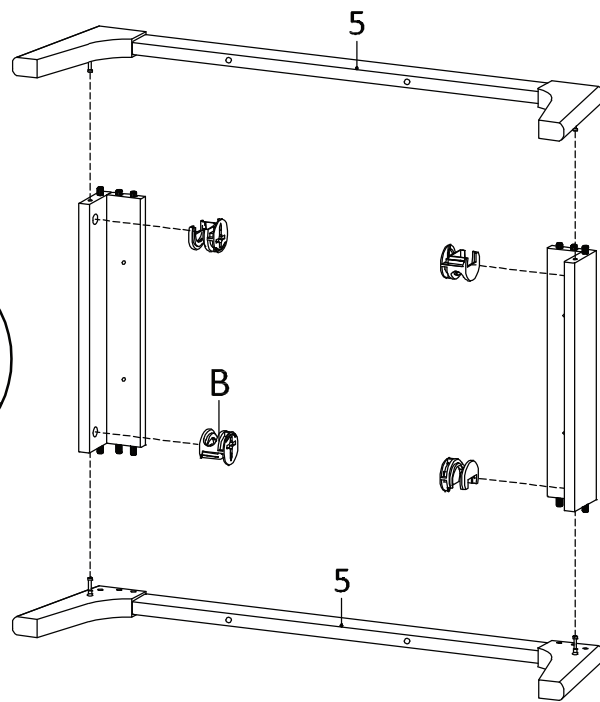
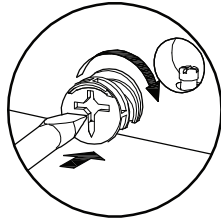
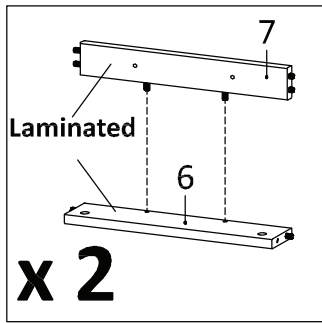



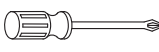
| | | |
|---|---|---|
|  |  |  |
| Ax4 | Cx16 | Px1 |

Hardware required.
Screwdriver not included

CABINET

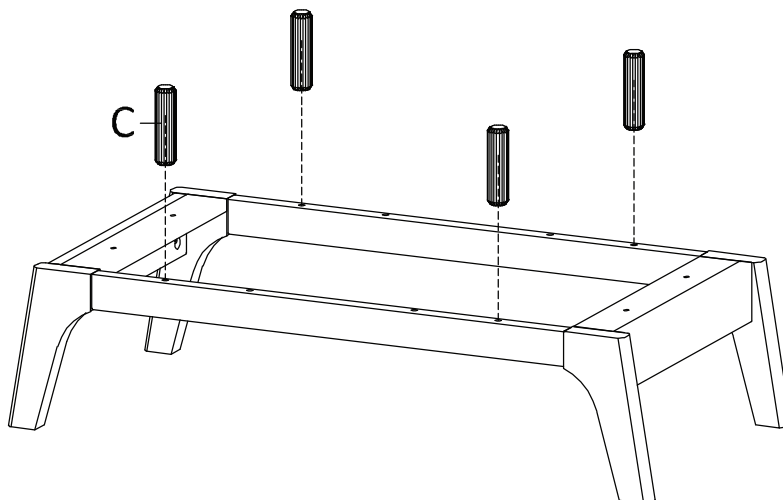
STEP 5:




| | |
|---|---|
|  |  |
| Bx4 | Px1 |

Hardware required.
Screwdriver not included

STEP 6:

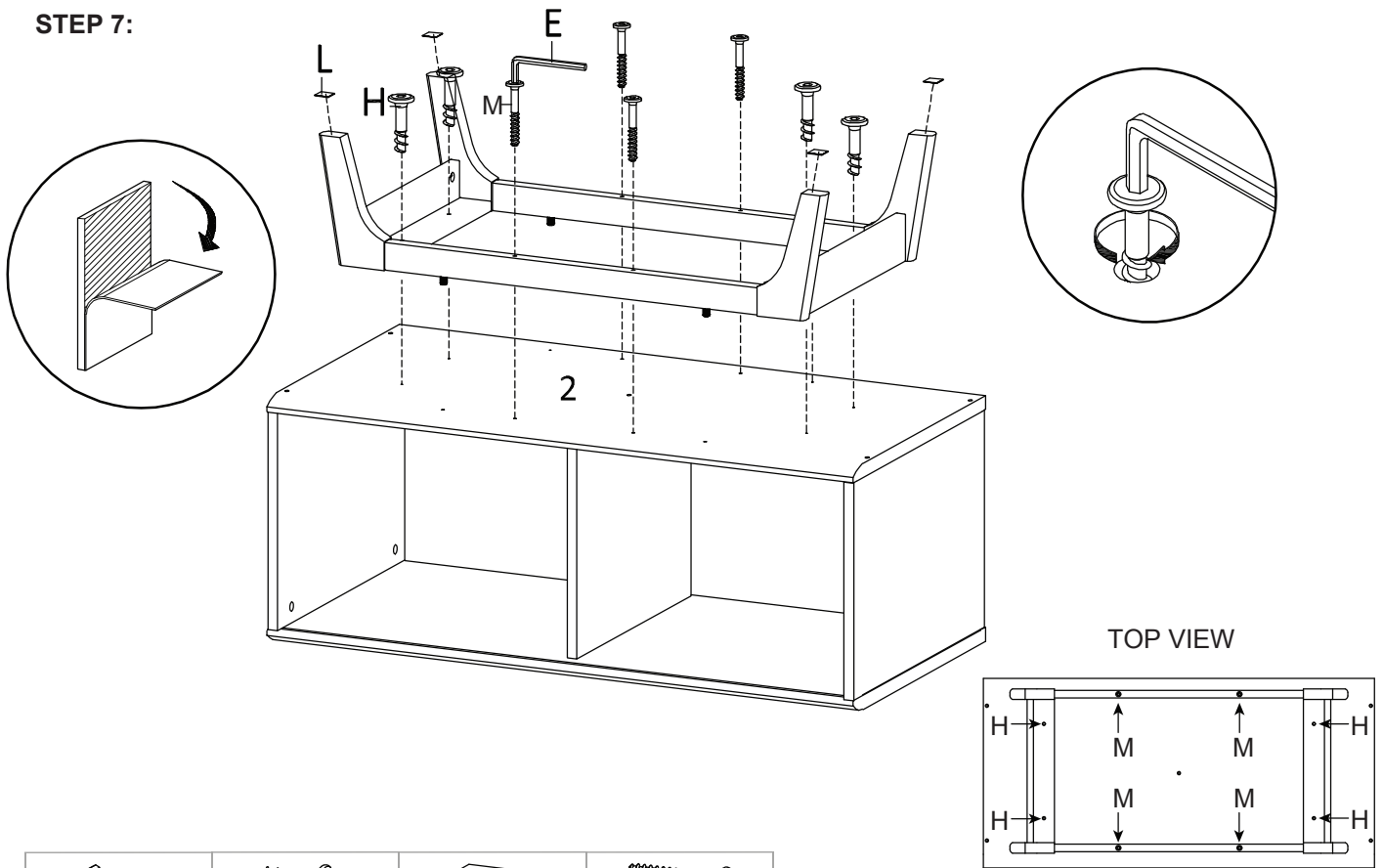






| |
|---|
|  |
| Cx4 |

Hardware required.

CABINET

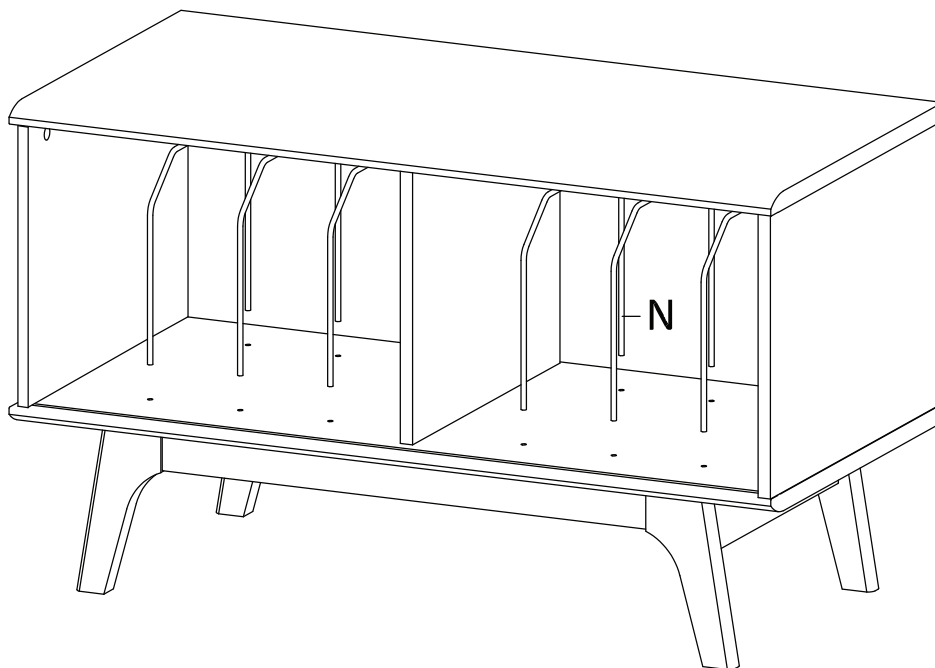
STEP 7:




| | | | |
|---|---|---|---|
|  |  |  |  |
| E | Hx4 | Lx4 | Mx4 |

Hardware required.
Screwdriver not included

STEP 8:

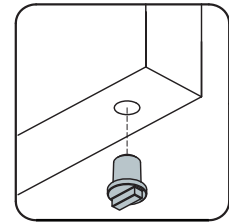
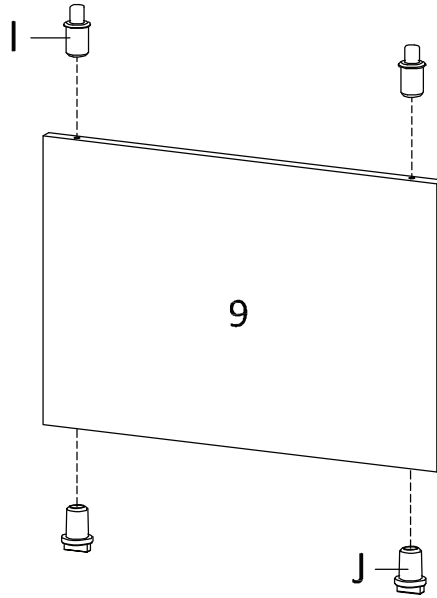
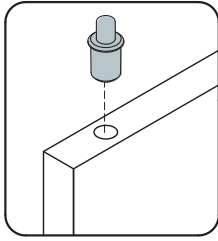




| |
|---|
|  |
| Nx6 |

Hardware required.

CABINET

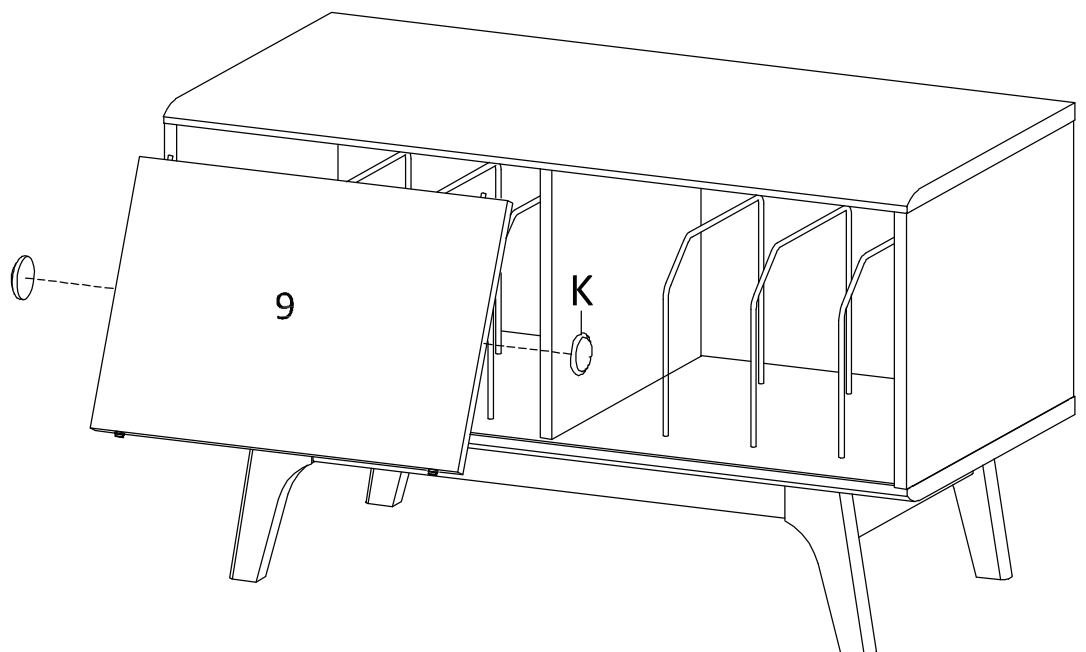
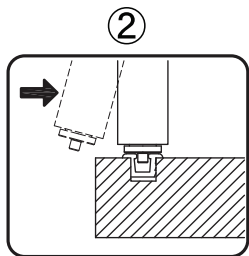
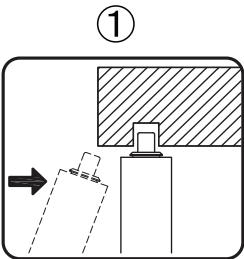
STEP 9:




| | |
|---|---|
|  |  |
| Ix2 | Jx2 |

Hardware required.

STEP 10:

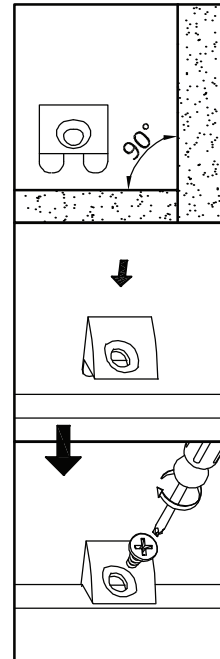
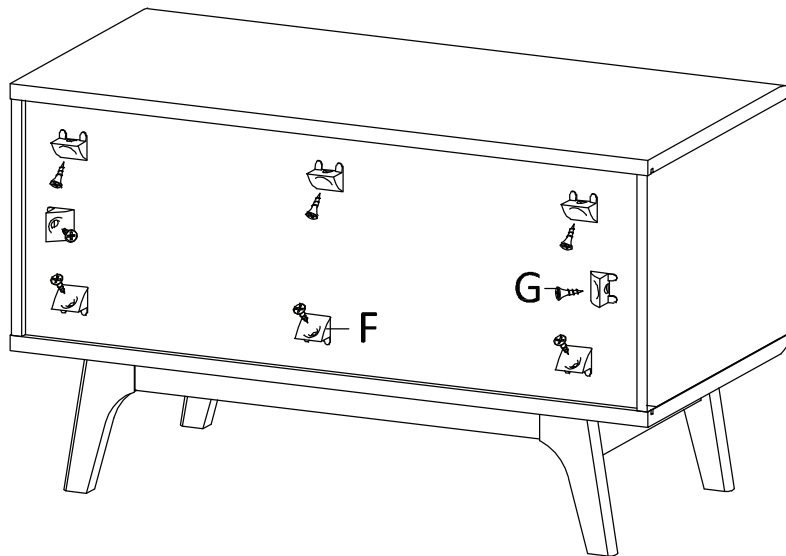




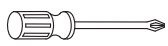
| |
|---|
|  |
| Kx2 |

Hardware required.

CABINET

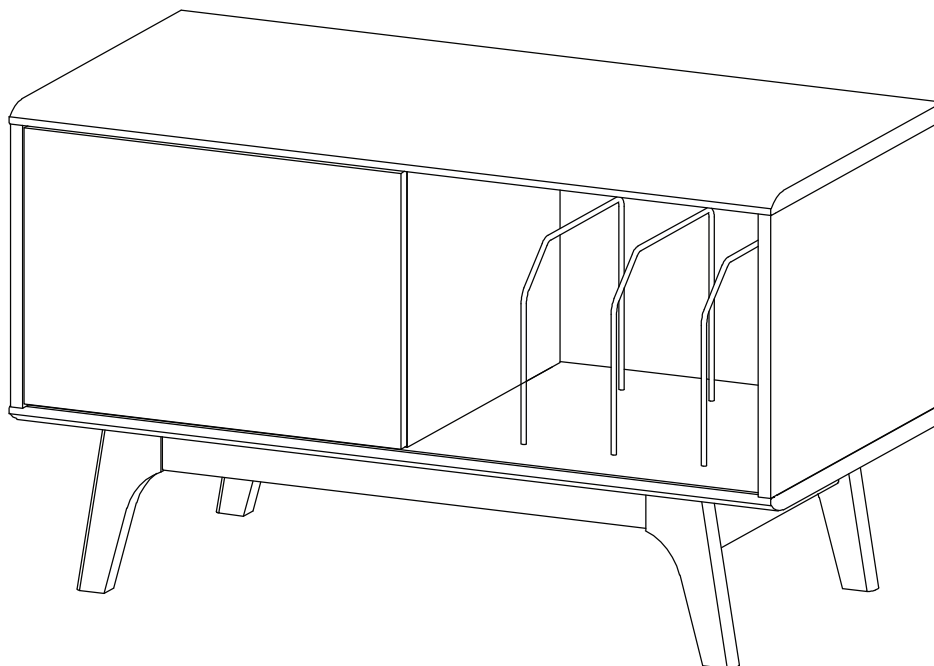
STEP 11:



| | | |
|---|---|---|
|  |  |  |
| Fx8 | Gx8 | Px1 |

Hardware required.
Screwdriver not included

STEP 12:



Assembly is complete. The Cabinet is ready to enjoy now !