

CONTENTS

Safety and care advice	1
Components	2
Assembly instructions	4
Copyright	12

⚠ SAFETY AND CARE ADVICE ⚠

PLEASE READ THESE INSTRUCTIONS CAREFULLY AND KEEP FOR FUTURE REFERENCE

- **Warning:** Please lift with care.
- Check you have all the components and tools listed on pages 2 and 3.
- Remove all fittings from the plastic bags and separate them into their groups.
- Keep children and animals away from the work area, small parts could choke if swallowed.
- Make sure you have enough space to lay out the parts before starting.
- Do not stand or put weight on the product, this could cause damage.
- Assemble the item as close to its final position (in the same room) as possible.

- Assemble on a soft level surface to avoid damaging the unit or your floor (use opened out unit carton).



- We do not recommend the use of power drill/drivers **for inserting screws**, as this could damage the unit. Only use hand screwdrivers.
- Dispose of all packaging carefully and responsibly.

CARE AND MAINTENANCE

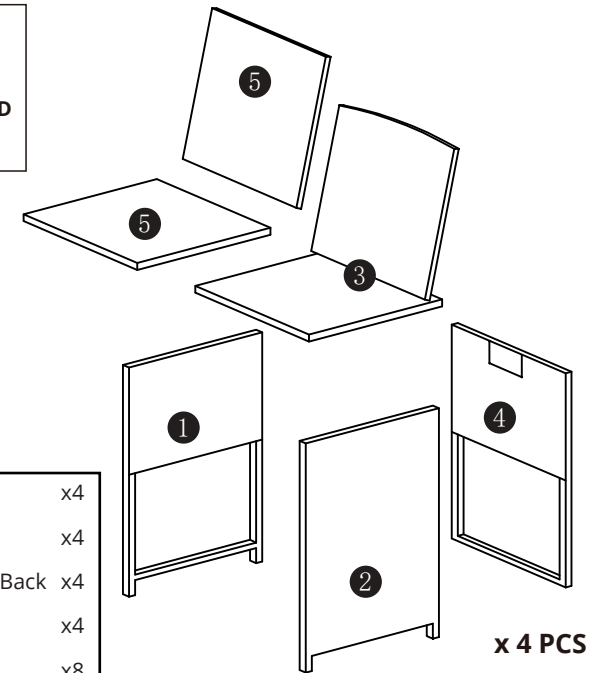
- Only clean using a damp cloth and mild detergent, do not use bleach or abrasive cleaners.
- From time to time check that there are no loose screws on this unit.

- This product should not be discarded with household waste. Take to your local authority waste disposal center.

Note If required the next page can be cut out and used as reference throughout the assembly. Keep this page with these instructions for future reference.

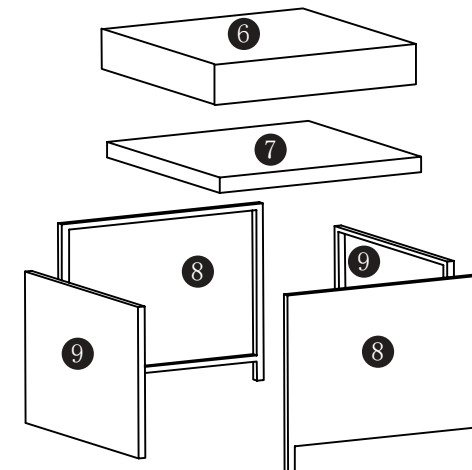
COMPONENTS

Please check you have all the panels listed below:



PANEL LIST

1	Chair Right Arm	x4
2	Chair Left Arm	x4
3	Chair Seat with Small Back	x4
4	Chair Big Back	x4
5	Chair Cushion	x8



PANEL LIST

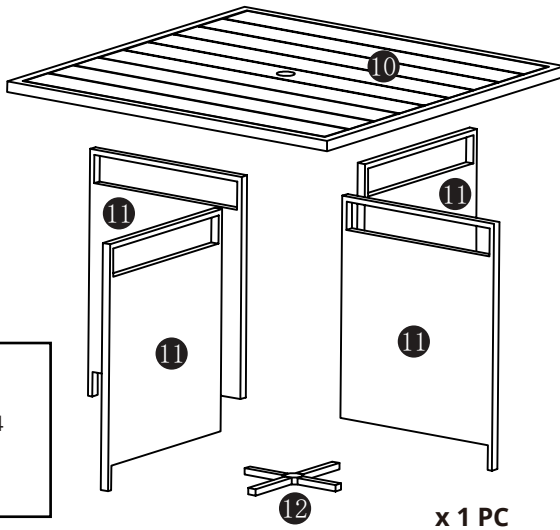
6	Stool Cushion	x4
7	Stool Top	x4
8	Stool Foot	x8
9	Stool Side	x8

x 4 PCS



COMPONENTS

Please check you have all the panels listed below:



PANEL LIST

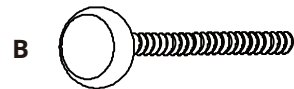
10	Table Top	x1
11	Table Foot	x4
12	Table Connector	x1

x 1 PC

Please check you have all the fittings listed below:



Allen wrench x1



50mm Screw x1



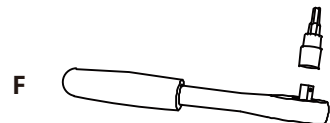
Washer x104



M6-35mm Screw x48



M6-30mm Screw x56

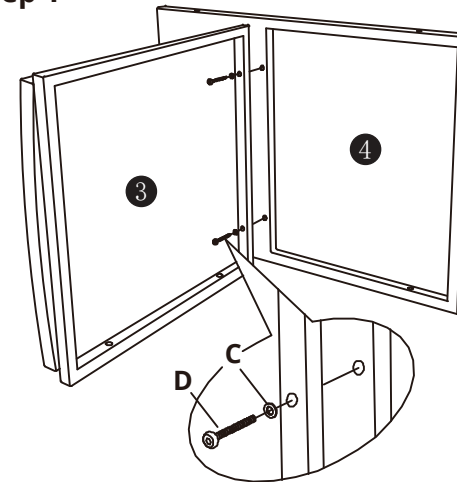


Ratchet wrench x1

ASSEMBLY INSTRUCTIONS

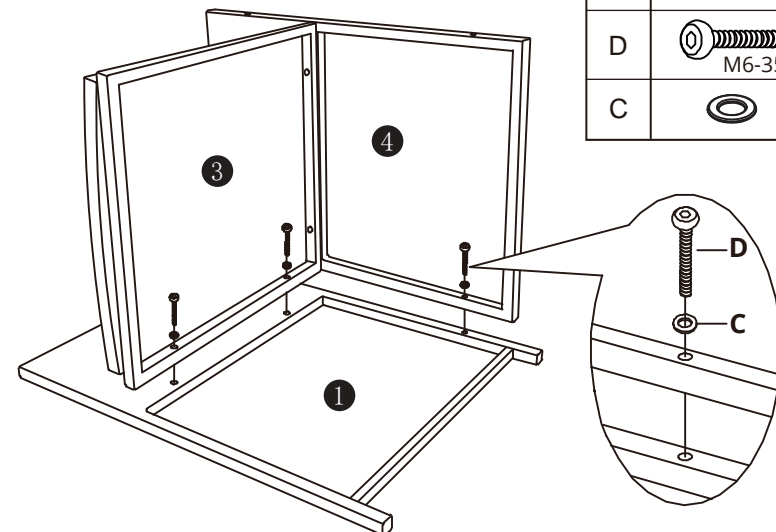
Please note, When building this product bolts should be finger tightened until all parts are in place. Only once all parts and bolts are assembled should bolts them be fully tightened using the ratchet.

Step 1



A		1
D	 M6-35mm	2
C		2

Step 2


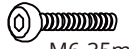



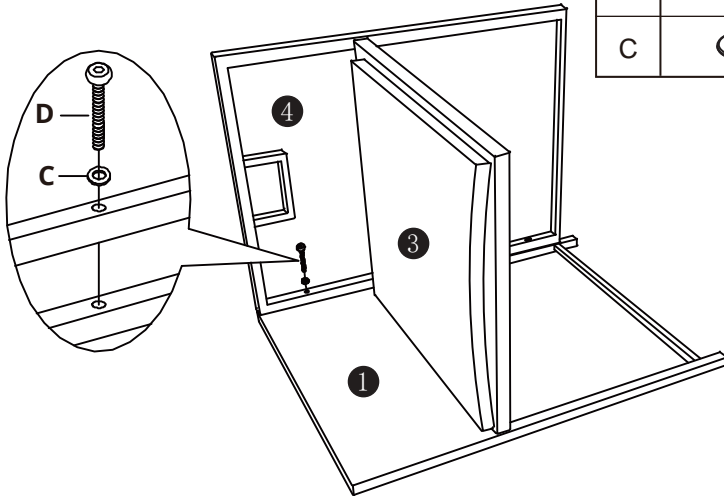
A		1
D	 M6-35mm	3
C		3






ASSEMBLY INSTRUCTIONS

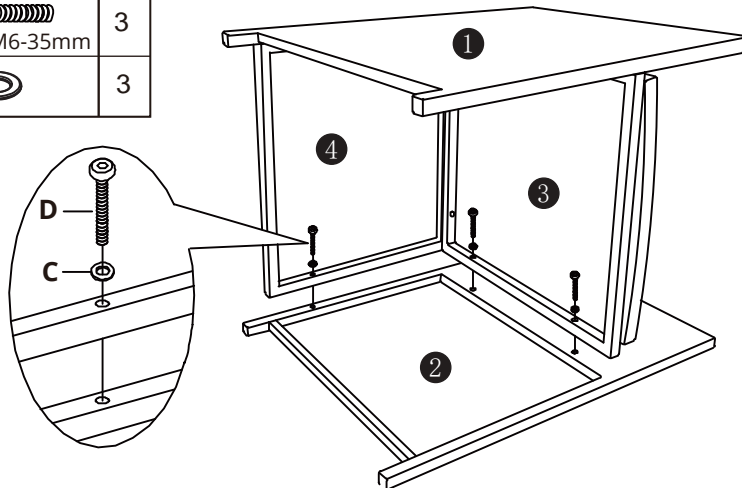
Step 3

A		1
D	 M6-35mm	1
C		1






Step 4

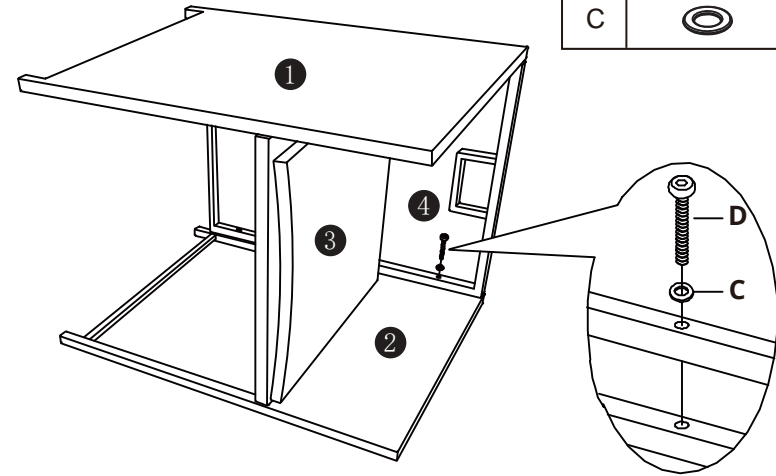
A		1
D	 M6-35mm	3
C		3



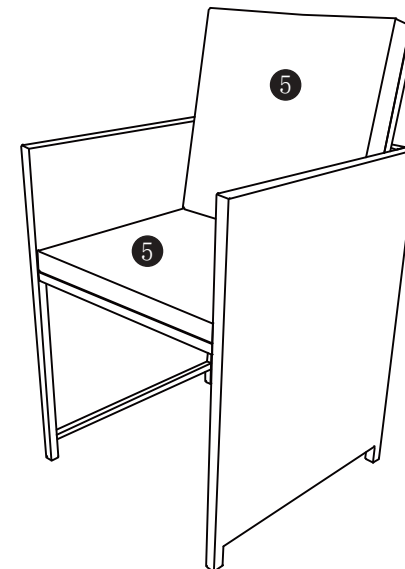
ASSEMBLY INSTRUCTIONS

Step 5

A		1
D	 M6-35mm	1
C		1






Step 6

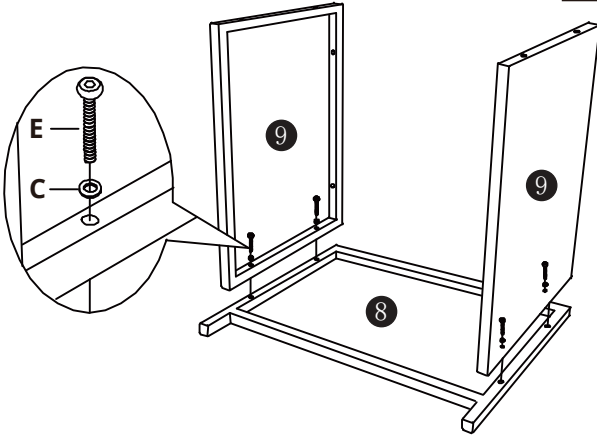


 Repeat Steps 1 to 6 for all 4 chairs.




ASSEMBLY INSTRUCTIONS

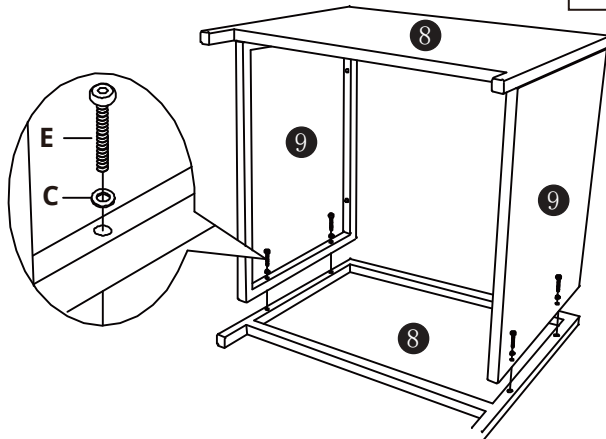
Step 7

A		1
E	 M6-30mm	4
C		4






Step 8

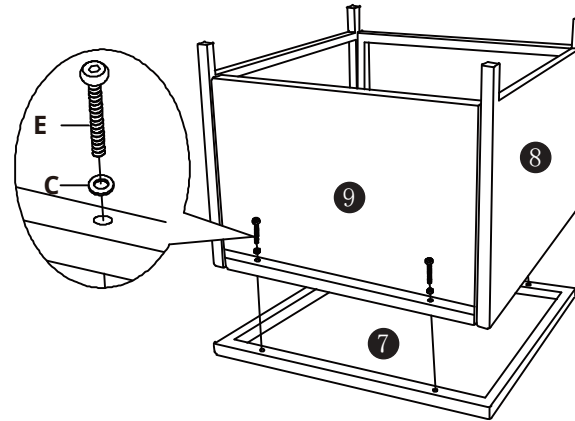
A		1
E	 M6-30mm	4
C		4



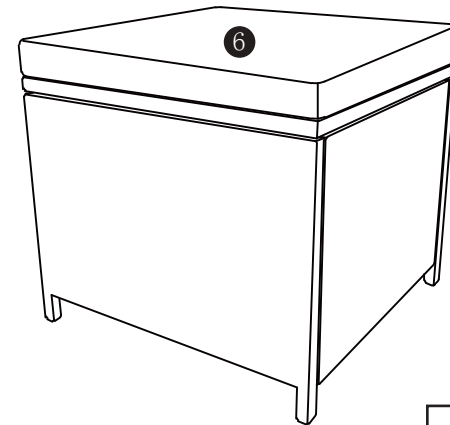
ASSEMBLY INSTRUCTIONS

Step 9

A		1
E	 M6-30mm	4
C		4



Step 10






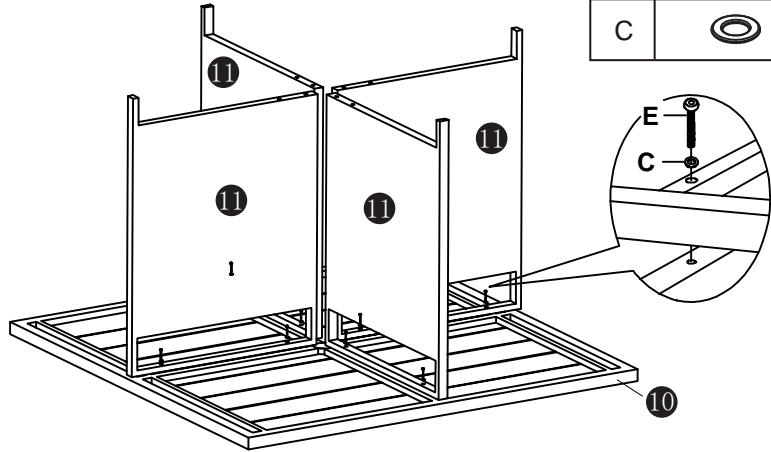
 Repeat Steps 7 to 10 for all 4 stools.

ASSEMBLY INSTRUCTIONS





Step 11

Please note, the table legs are upside down in this picture.

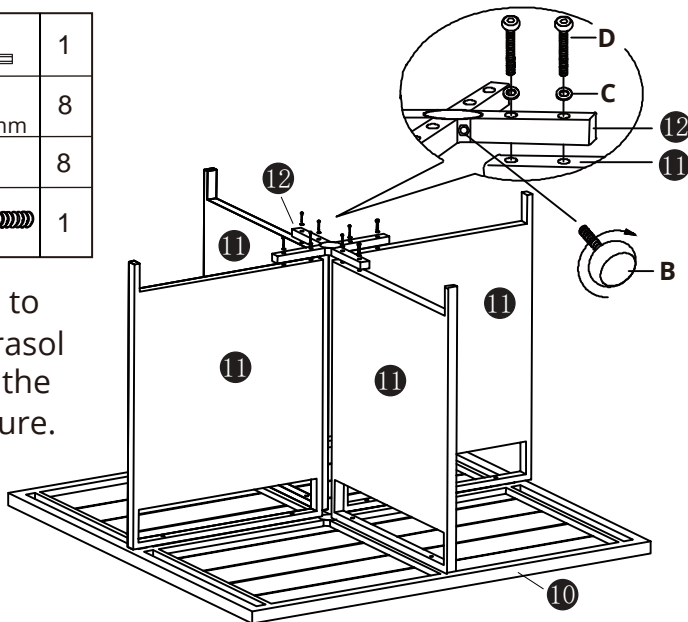
A		1
E	 M6-30mm	8
C		8



Step 12 Attach Part 12 to the bottom of the table legs.

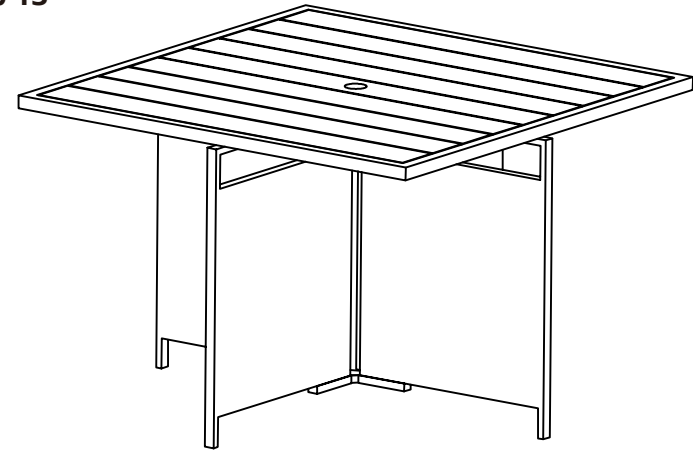
A		1
D	 M6-35mm	8
C		8
B		1

Part B is used to clamp the parasol to Part 12, so the parasol is secure. Please attach firmly.



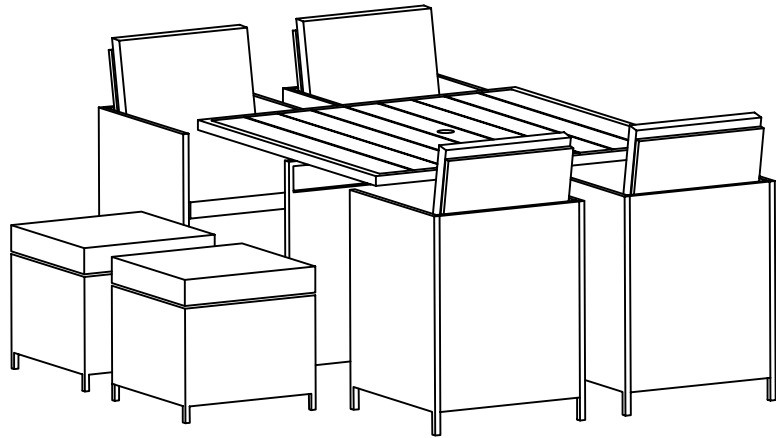
ASSEMBLY INSTRUCTIONS

Step 13



Flip the structure, so the table legs and feet are resting firmly on the ground.

ASSEMBLY INSTRUCTIONS



Congratulations! Now you have finished assembling the product. There may be some dust or hand marks on your item, we recommend using a standard wood polish to clean this product.

IF YOU FIND A DEFECTIVE PART

We fully stock all parts and components. Any defective part can be quickly replaced. Take note of the defective part number in manual and we will arrange a replacement.