



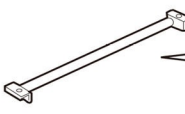



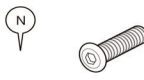






ASSEMBLY INSTRUCTIONS

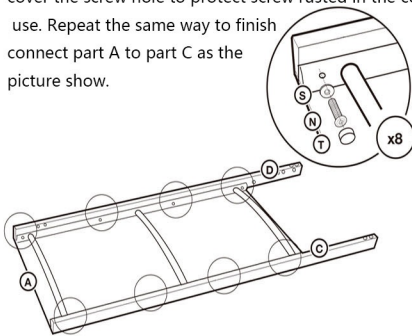
Part list

 A x 2	 B x 2	 C x 2	 D x 2
 E x 2	 F x 4	 G x 1	

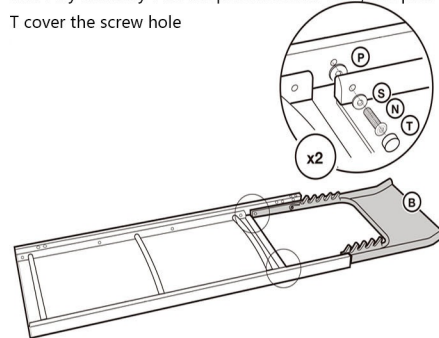
Hardware list

 M x 24 M6x15	 N x 28 M6x35	 S x 52	 P x 4	 T x 52
 Y x 1				

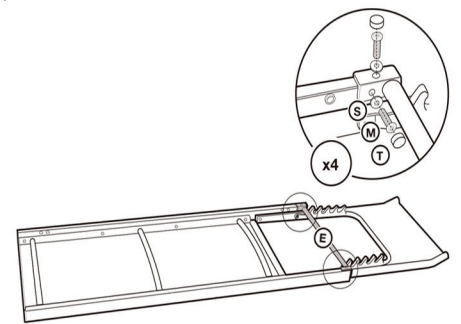
Step 1, Connect the part A to the part C. Align the hole in the part A to the predrilled hole in part C, screw in and tighten the screw N with washer S by Allenkey Y. Then use part T to cover the screw hole to protect screw rusted in the coming use. Repeat the same way to finish connect part A to part C as the picture show.



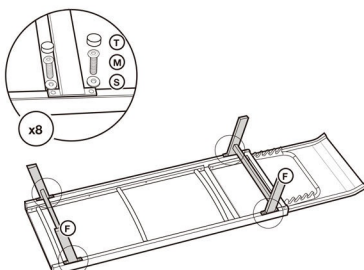
Step 2, Connect the part B to the frame finished in step 1. Align the hole in part B to the predrilled hole in frame C and D, screw in and tighten the screw N with washer S and P by Allenkey Y as the picture show. Then, use part T cover the screw hole



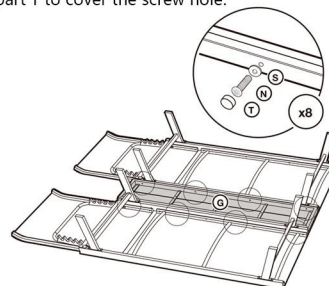
Step 3, install the support bar E. Align the hole in the part E to the hole in the part C and D, screw in and tighten the screw M with washer S by Allenkey Y as the picture show. Then use part T to cover the screw hole.



Step 4, Install the legs to the finished part in step 3. Align the hole in the leg part F to the hole in frame C and D, screw in and tighten the screw M with washer S by Allenkey Y. then use the part T cover the screw hole.



Step 5, Use part G to connect two lounge chair. Align the hole in the part G to the hole in the lounge chair finished in step 4, screw in and tighten the screw N with washer S by Allenkey Y. then use part T to cover the screw hole.



Step 6, Now your lounge chair is ready to use.

