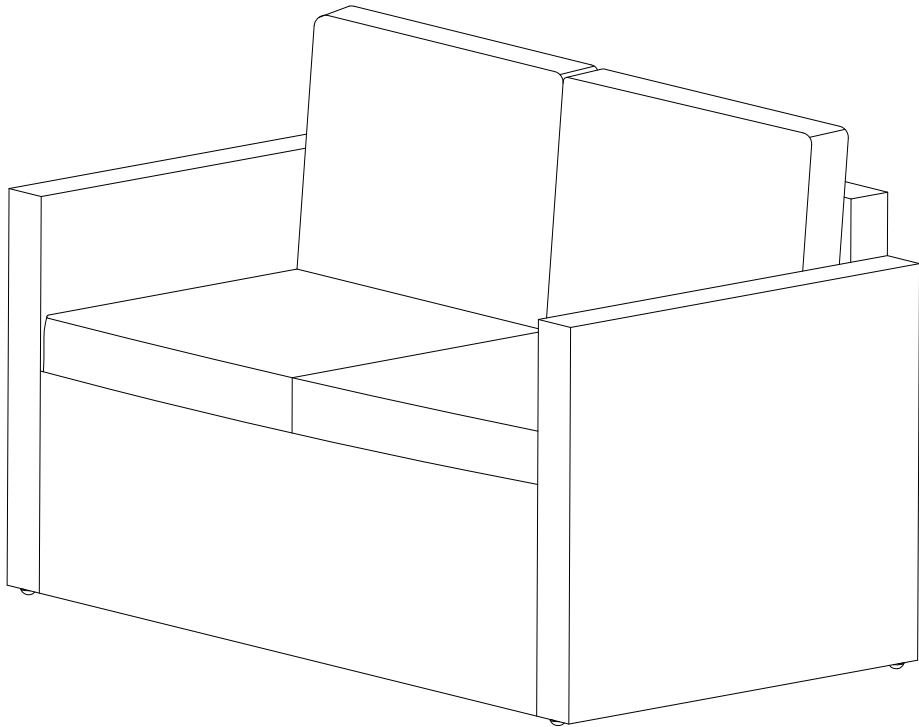


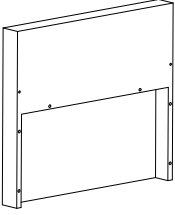
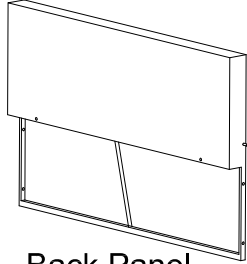
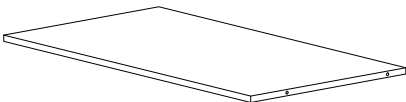

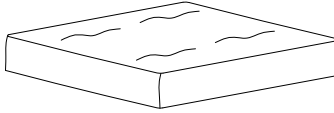

Outdoor Wicker Love Seat



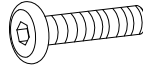
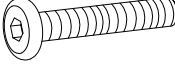
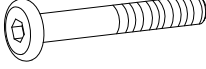
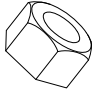

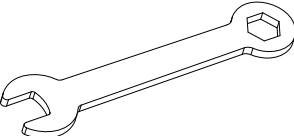

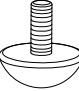
We strived to provide fine furniture products, built with quality materials and hand finished details. Please carefully follow the assembly instructions to ensure your furniture is assembled correctly to provide long lasting enjoyment.

Care: Use a soft, clean cloth that will not scratch the surface when cleaning. The use of solvents is not necessary. Should you choose to use solvents, test in an inconspicuous area first to avoid damaging the finish. TO clean, simply use a soft, clean cloth lightly dampened with water.

PART LIST

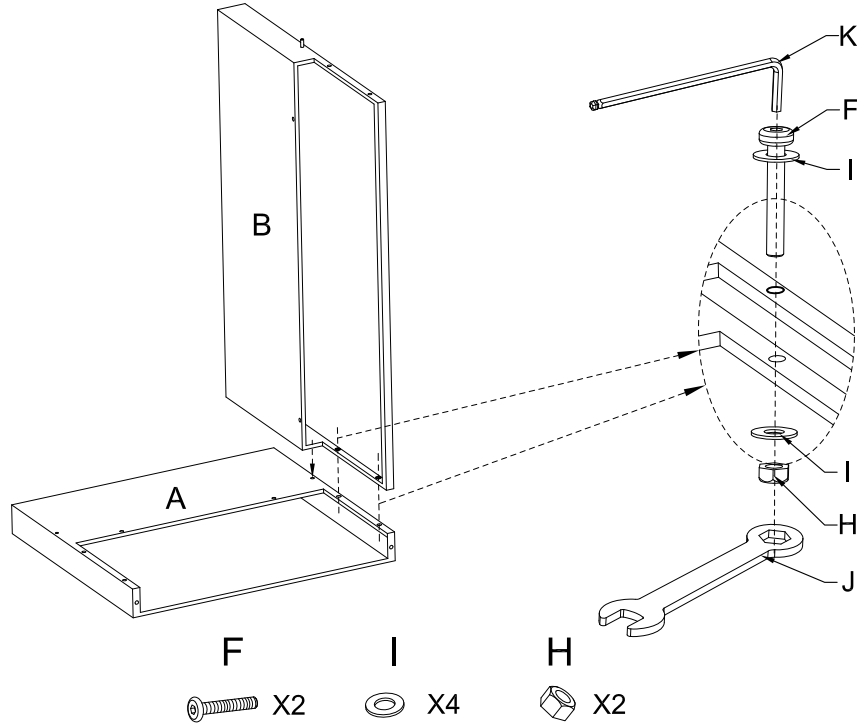
 <p>Arm Panel</p>		 <p>Back Panel</p>		 <p>Seat Panel</p>	
A	2pcs	B	1pc	C	1pc
 <p>Lower Front Panel</p>		 <p>Seat Cushion</p>		 <p>Back Cushion</p>	
D	1pc	M	2pcs	N	2pcs

HARDWARE LIST

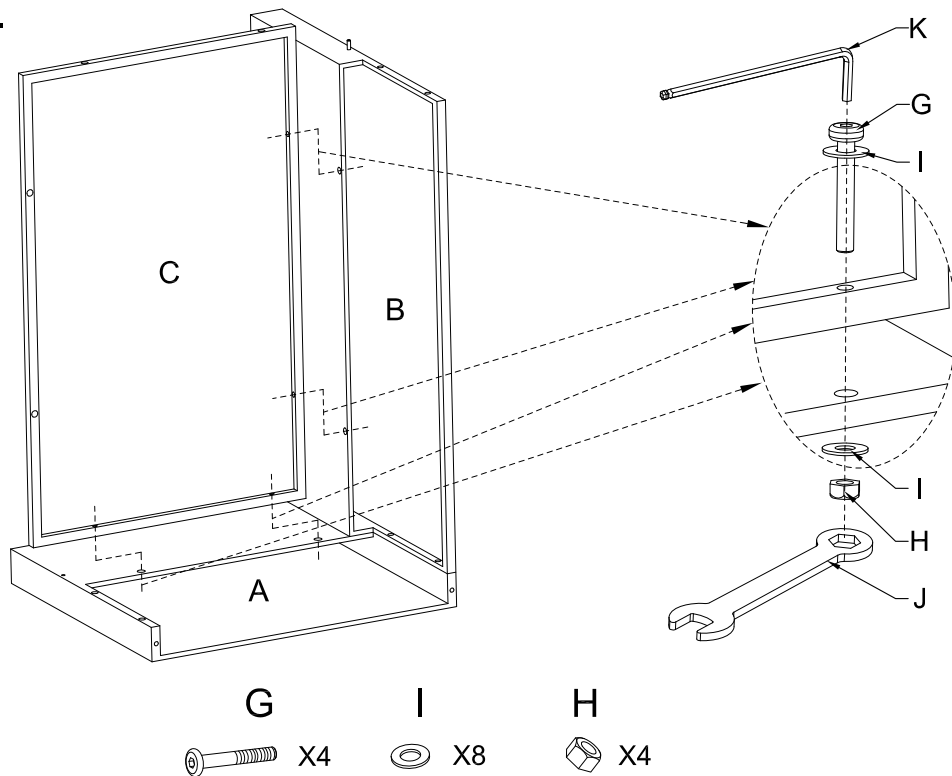
 <p>Short Bolt(M6*30mm)</p>		 <p>Medium Bolt(M6*40mm)</p>		 <p>Long Bolt(M6*50mm)</p>	
E	2pcs	F	4pcs	G	10pcs
 <p>Nut(M6mm)</p>		 <p>Washer(M6mm)</p>		 <p>Wrench(M6mm)</p>	
H	14pcs	I	30pcs	J	1pc
 <p>Allen Key(M6mm)</p>		 <p>Adjustable Leveler</p>			
K	1pc	L	4pcs		

Step 1. Lay Arm Panel (A) down on a flat surface. Attach Back Panel(B) to Arm Panel(A) using the Medium Bolt(F), Washer(I), Nut(H), Wrench (J) & Allen Key (K).

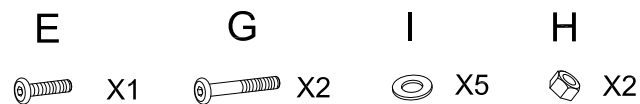
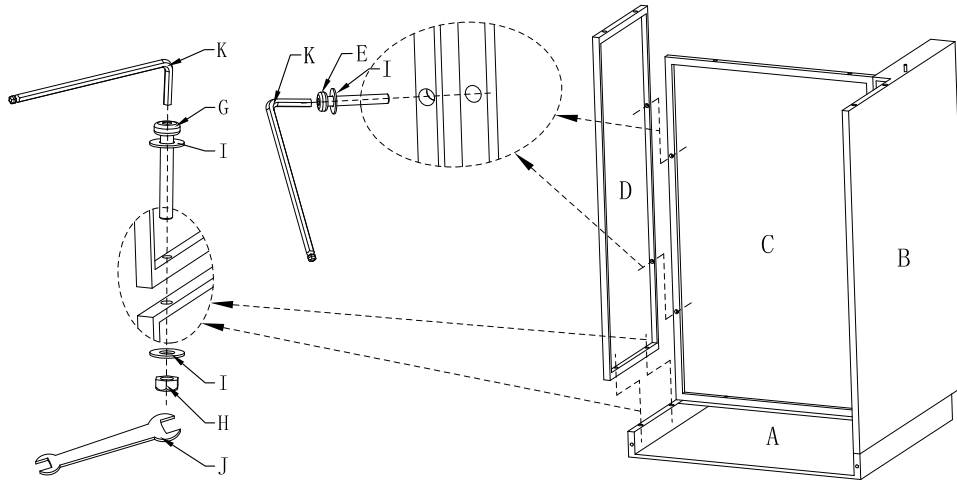
NOTE: Do not fully tighten bolt until all bolts are in place.



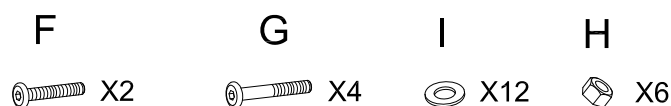
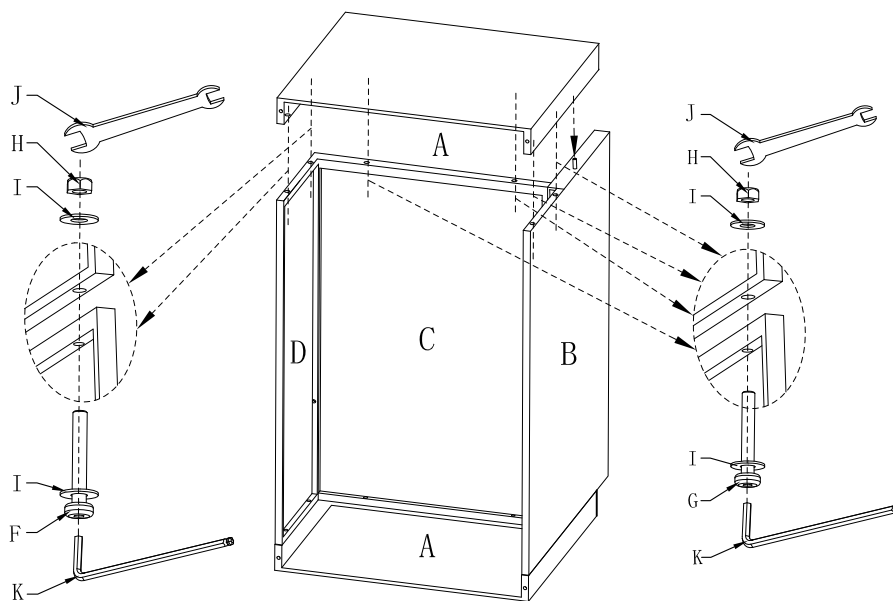
Step 2. Attach Seat Panel(C) to Arm Panel(A) and Back Panel (B) using the Long Bolt(G) Washer(I), Nut(H), Wrench (J) & Allen Key (K).



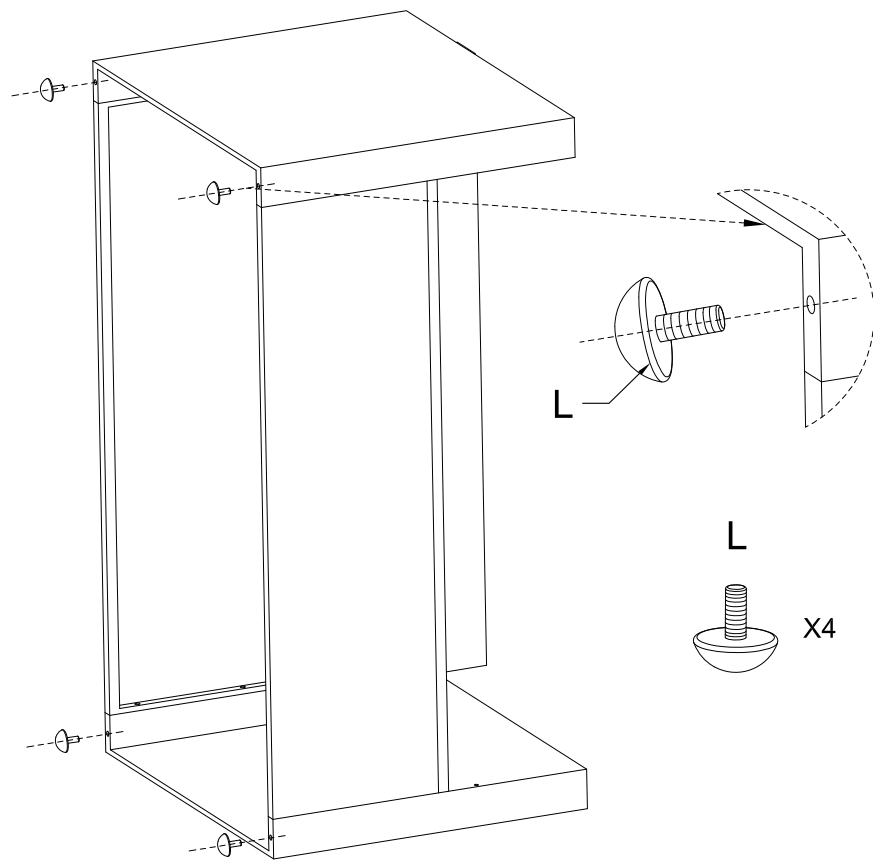
Step 3. Attach Lower Front Panel (D) to Arm Panel (A) using the Long Bolt(G), Washer (I), Nut(H), Allen Key (K) & Wrench (J), to Seat Panel (C) using Short Bolt (E), Washer (I) & Allen Key (K).



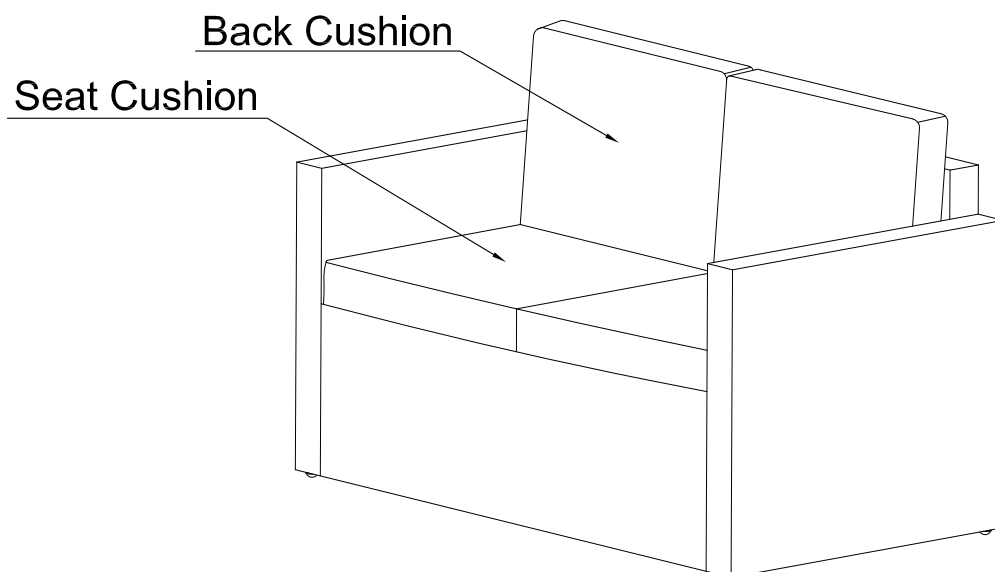
Step 4. Attach Arm Panel (A) to the Assembled Part (A,B,C&D) using Bolt (F), Bolt (G), Washers (I), Nut (H), Wrench (J) and Allen Key (K) as shown.



Step 5. Screw the Adjustable Levelers (L) into the pre-drilled holes, to the desired position, on the bottom of the chair.



Step 6. Turn the assembled chair upright on a flat surface, add the Seat and Back Cushions.



Limited Manufacturers Warranty