

1551-00

The manual will assist you during the whole process of assembling. Make sure you have all the parts & hardware as list 1 and list 2 shown; prepare the level ground for installation.

Pre-assembly



1. Two or more people are required for assembly.



2. You will need one or more stepladders.



3. Wearing protective gloves is recommended.



4. You may need a safety hat.



5. Please use a Phillips screw driver.



6. For ease of construction, you may need a drill.



7. You may need a safety goggle.



8. Do not fully tighten screws prior to complete assembly.

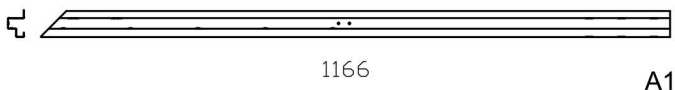





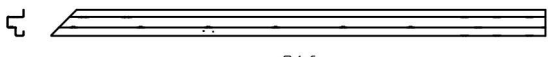
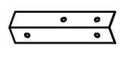
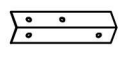
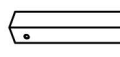


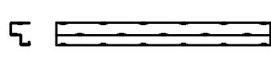
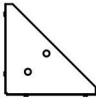
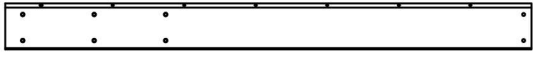
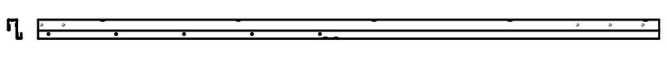



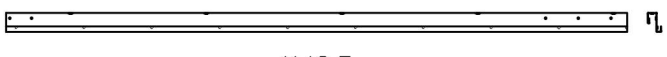
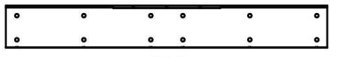
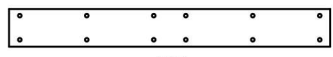

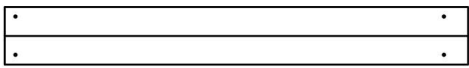
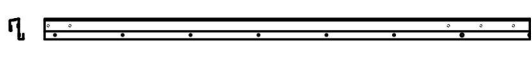

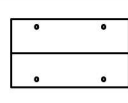
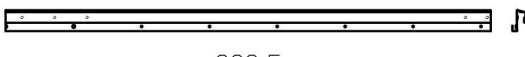

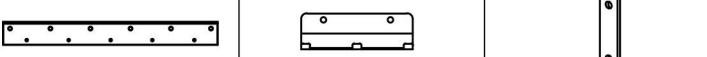
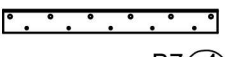
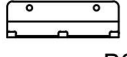

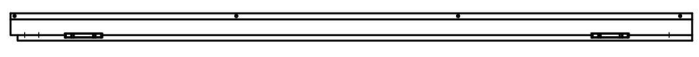

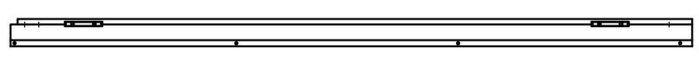
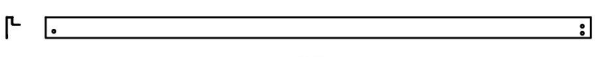
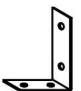





Warning & Attention

-Try to assemble this product on the flat ground, otherwise it is difficult to carry out;


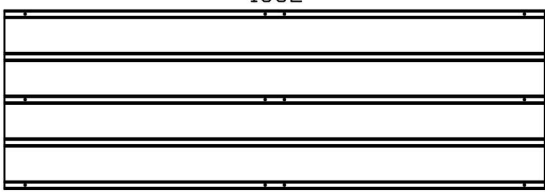
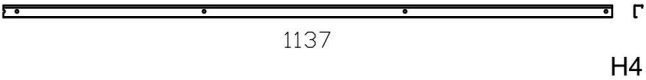
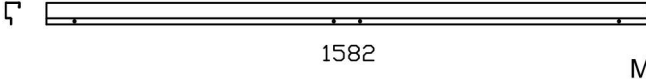
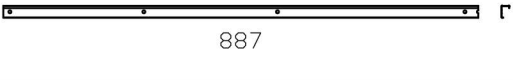
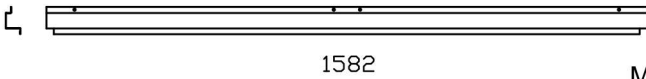
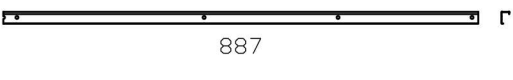
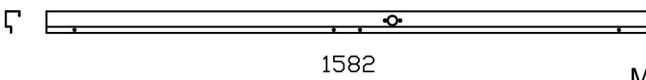



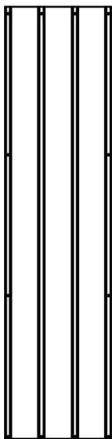
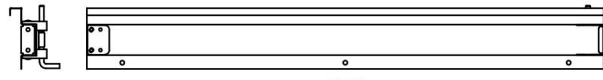
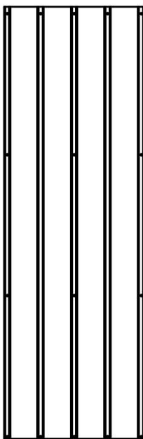
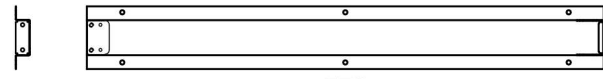


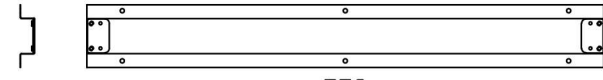
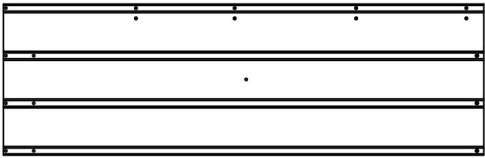
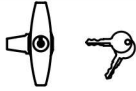
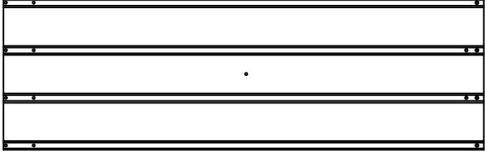

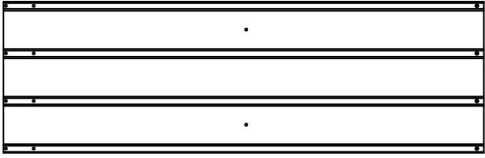

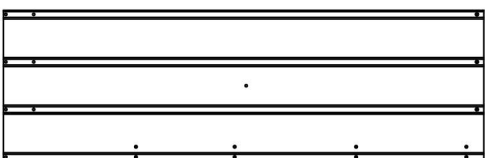





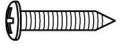





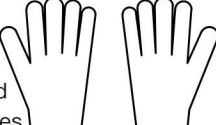
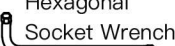
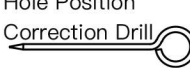
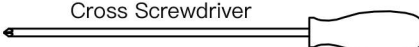
-It would be much easier to assemble the product with three or more people;

-After assembly, please check whether all screws are tightened, to prevent parts from falling apart.

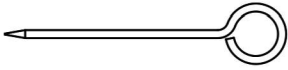
▲ Use bolts to secure the frame to the ground to against the strong wind.

 1166 A1(x1)	 1165 D1(x2)		
 1166 A2(x1)			
 1166 A3(x1)	 1165 D2(x2)		
 1166 A4(x1)			
 916 A5(x2)	 D3(x2)	 D4(x2)	 D(x4)
 916 A6(x2)	 919,5 E1(x2)		
 A7(x4)	 A(x4)	 919,5 E2(x2)	
 1143,5 B1(x1)	 919,5 E3(x2)		
 1143,5 B2(x1)	 919,5 E4(x2)		
 1143,5 B3(x1)	 600 E5(x4)	 600 E6(x1)	
 1143,5 B4(x1)	 937,5 F(x2)		
 893,5 B5(x2)	 F1(x2)	 F2(x1)	
 893,5 B6(x2)	 1260,6 G1(x2)		
 1608,5 C(x4)	 B7(x4)	 B8(x1)	 B(x4)
 1609 C1(x1)	 1260,6 G2(x2)		
 1609 C2(x1)	 954 G3(x2)		
 C3(x2)	 C4(x2)	 G5(x2)	 G6(x2)
		 551 H1(x2)	 551 H2(x2)

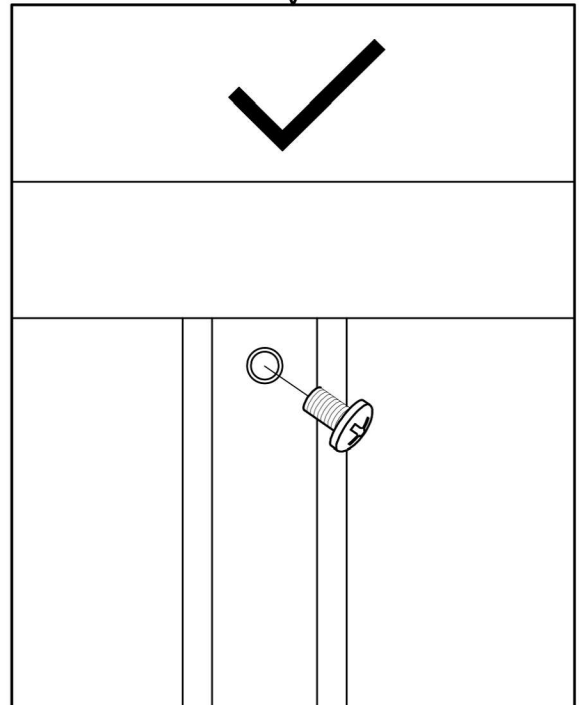
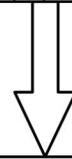
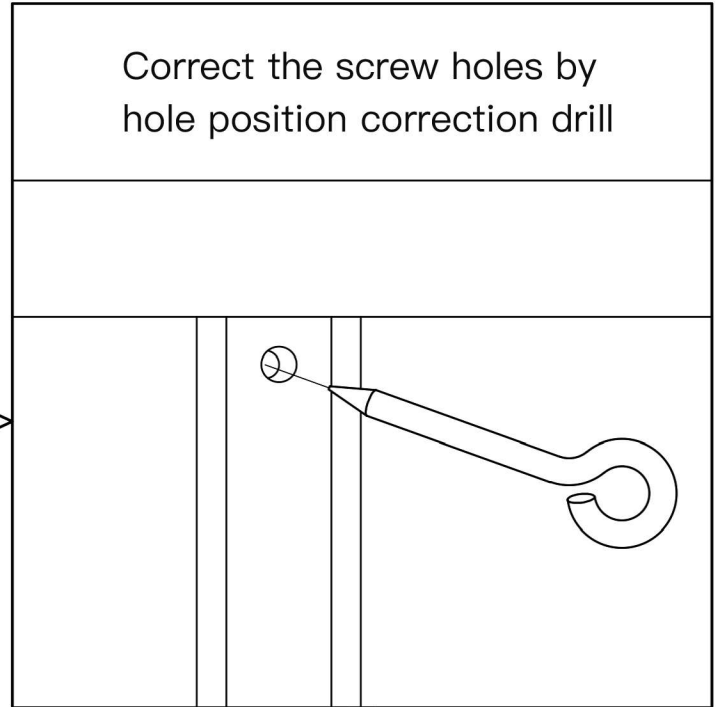
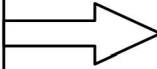
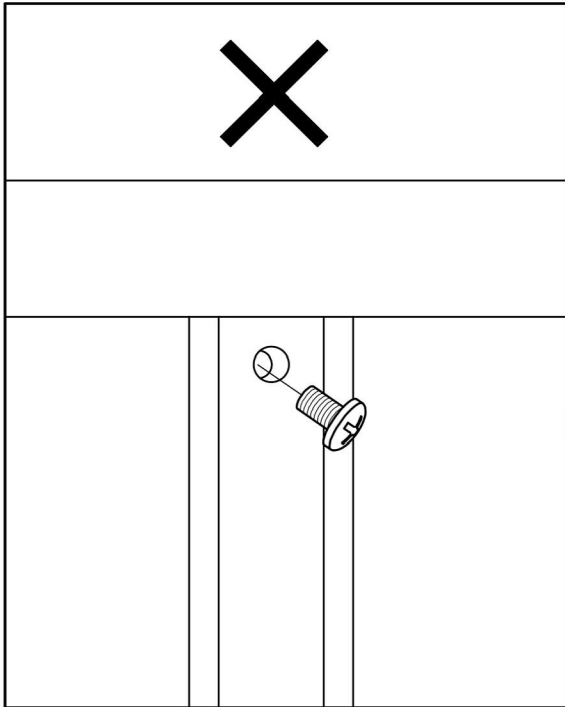
List-1

		1137 H3 (x2)				1582 M (x2)	
		1137 H4 (x2)				1582 M1 (x2)	
		887 H5 (x4)				1582 M2 (x1)	
		887 H6 (x4)				1582 M3 (x1)	
			H7 (x6)	Y (x4)	Z (x46)		
		1608 J (x10)				579 M4 (x1)	
		1608 J1 (x6)				579 M5 (x1)	
						579 M6 (x1)	
						579 M7 (x2)	
						579 M8 (x1)	
		1265 K4 (x2)				M9 (x1)	
		1265 K3 (x2)				M10 (x1)	
		1265 K2 (x4)				4x10 1# (x230)	
		1265 K1 (x2)				M4x6 2# (x104)	
						M4x8 3# (x64)	
						4x20 4# (x28)	
						4x22 5# (x14)	
						M4x10 6# (x12)	
						ST4.2x22 7# (x8)	
						M4x8 8# (x8)	
						4x12 9# (x86)	
						M4x8 10# (x24)	
						M4x20 11# (x4)	
						4x16 12# (x40)	
		Hand Gloves				Hexagonal Socket Wrench	
						Hole Position Correction Drill	
						Cross Screwdriver	

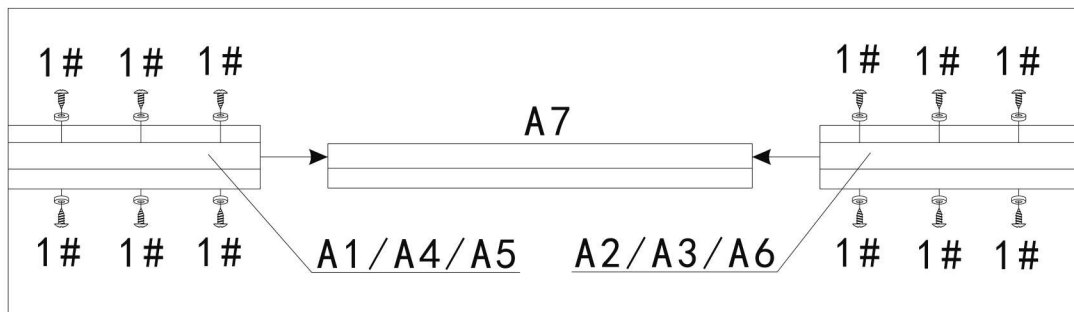
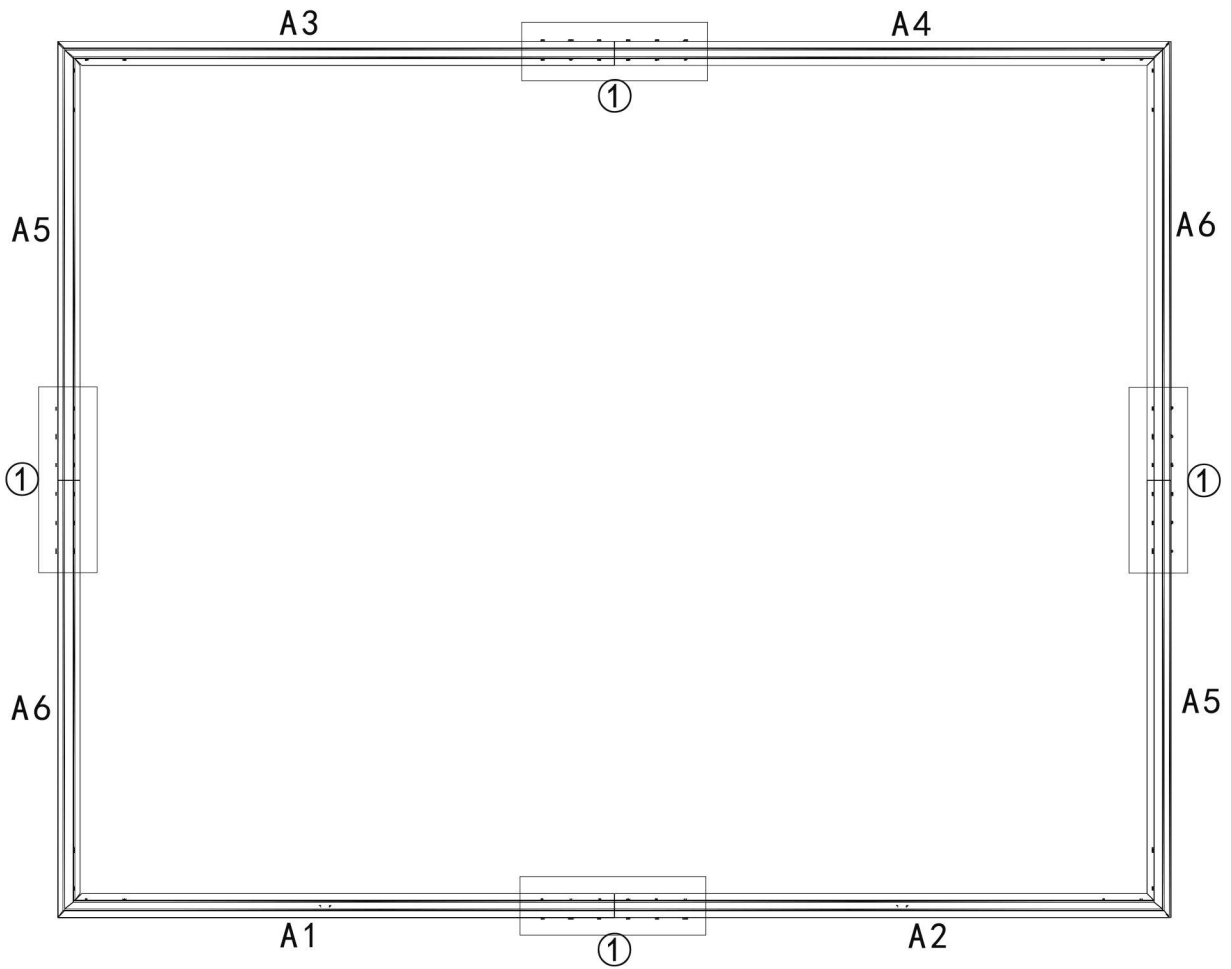
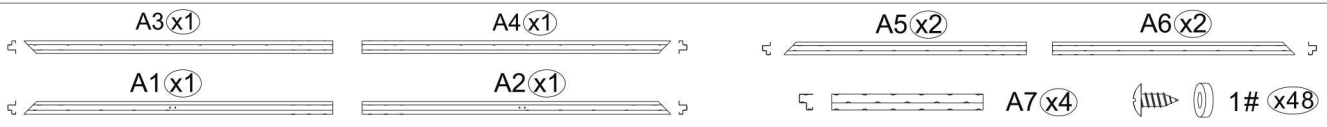
List-2



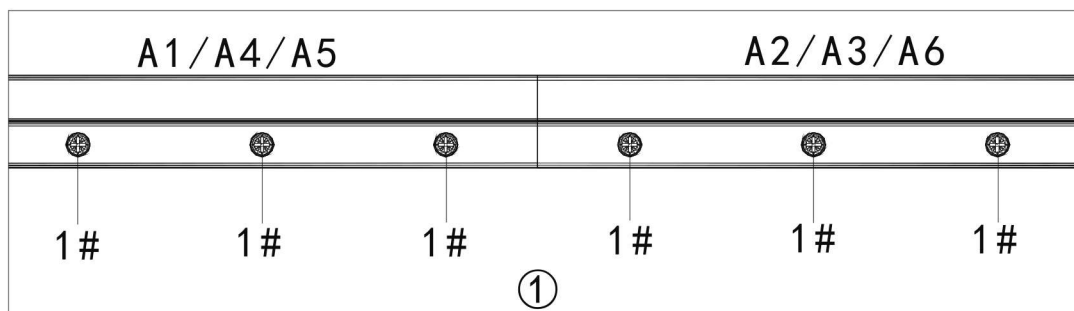
Hole position correction drill



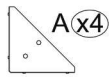
If the screw holes are not symmetrical, you can use this tool to correct the hole position



1. Firstly, use the part#A7 to connect part#A1(A4/A5) with part#A2(A3/A6) respectively, and then form the bottom frame as shown.

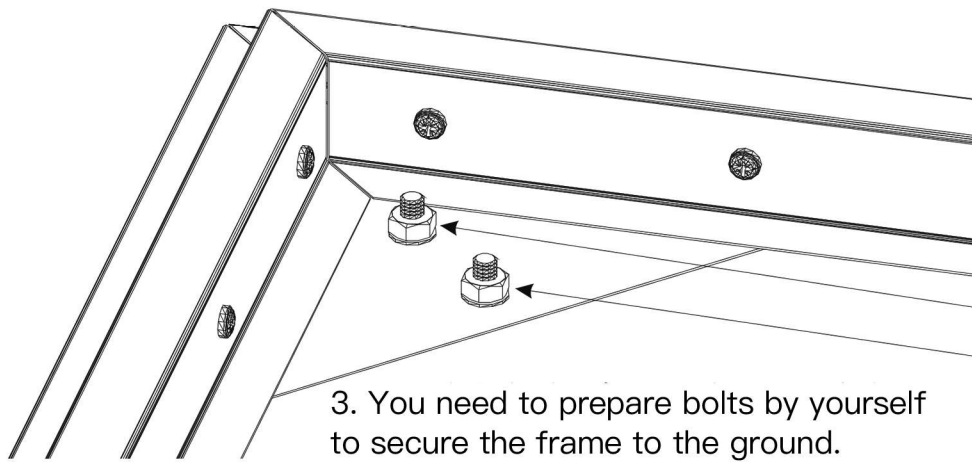
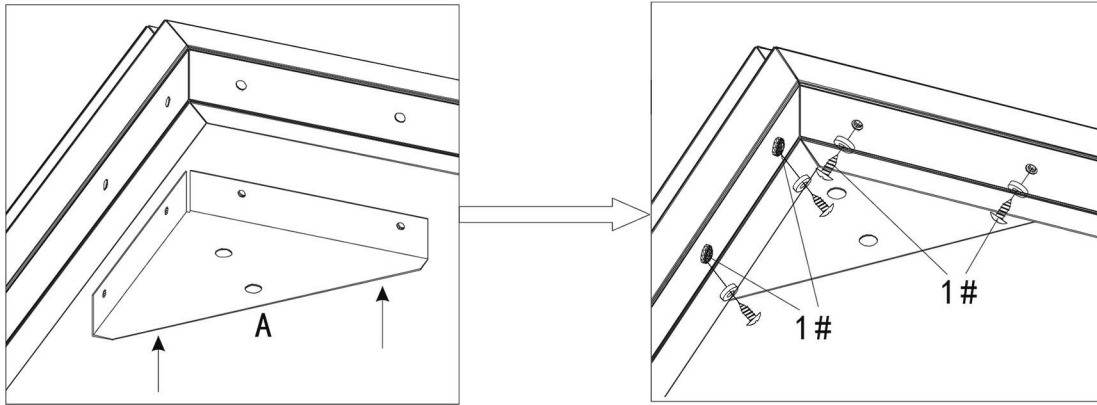


Plastic Gaskets 1# x16

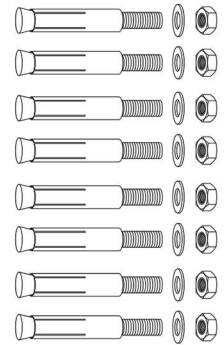


Plastic Gaskets 9# x4

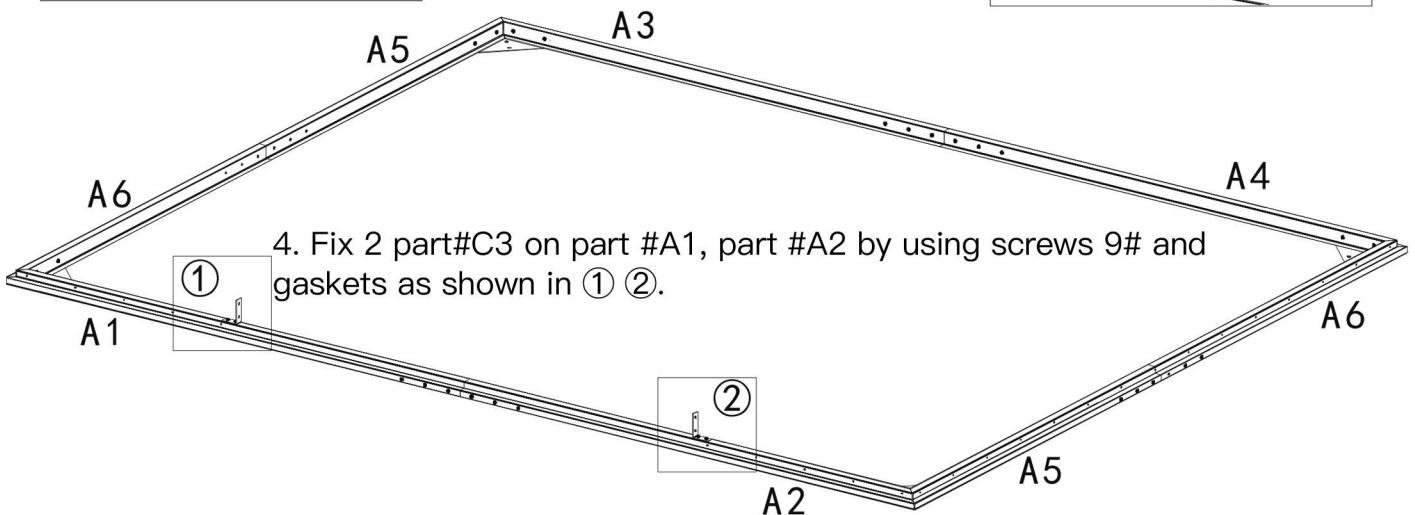
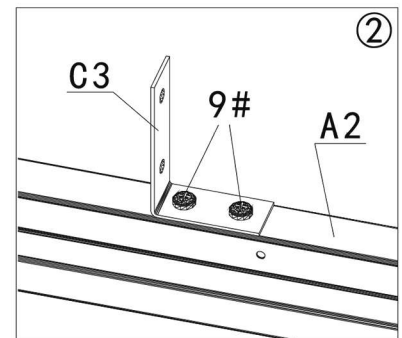
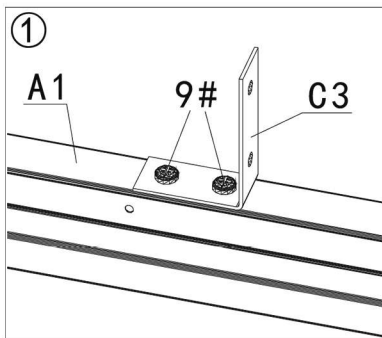
2. Fix the corners with part#A and fasten with screws 1# and gaskets.



M6-8 pcs

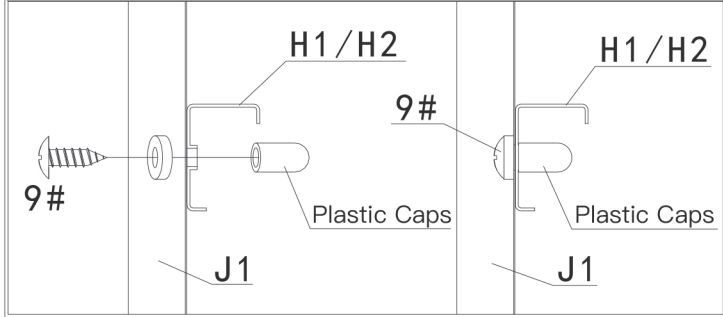
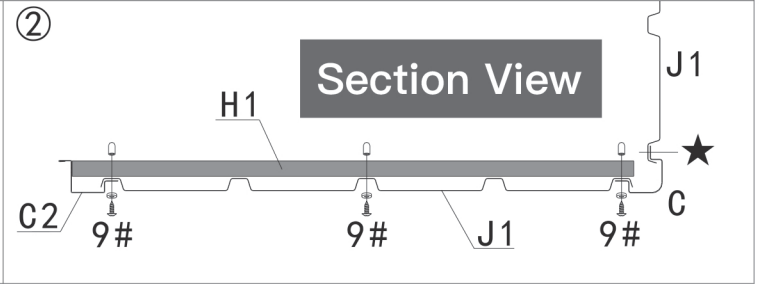
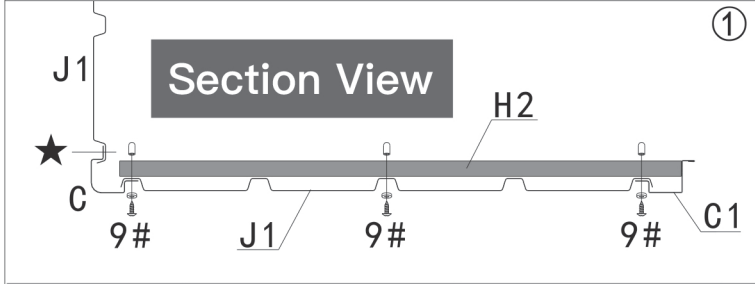
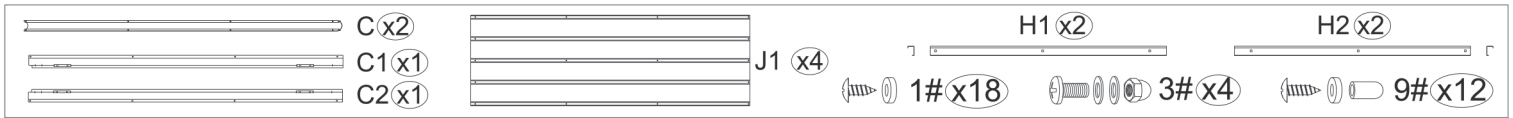


3. You need to prepare bolts by yourself to secure the frame to the ground.



4. Fix 2 part#C3 on part #A1, part #A2 by using screws 9# and gaskets as shown in ① ②.

▲ Attention: four corners MUST be right angles and check if the two diagonal distance of square is equal by tape measure.



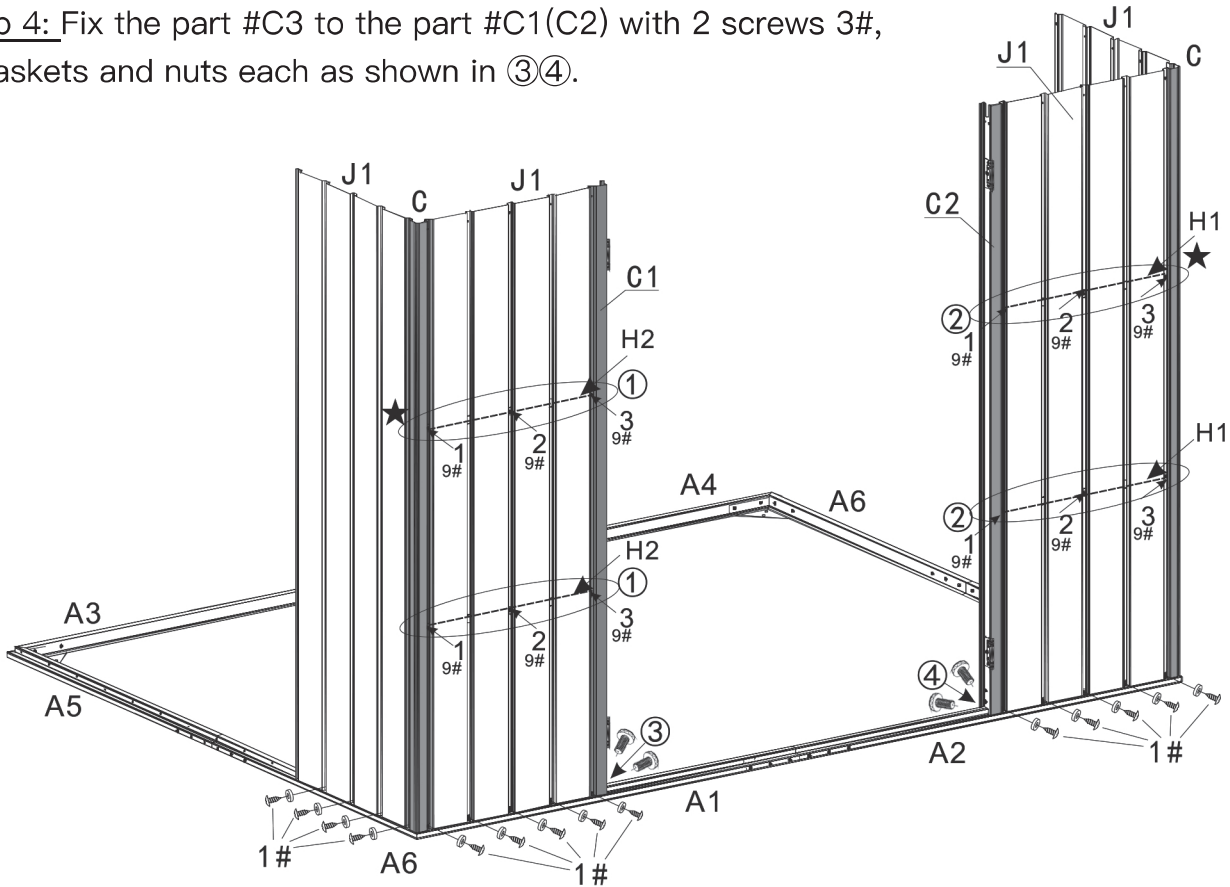
Step 1: Use 6 screws 9#, gaskets and caps to connect 2 part H2 with part #C/J1/C1 as shown in ① to form a front side wall panel.

Step 2: Place the assembled front side wall panel (C/J1/C1) on the bottom frame(A1), using 5 screws 1# and gaskets to fix.

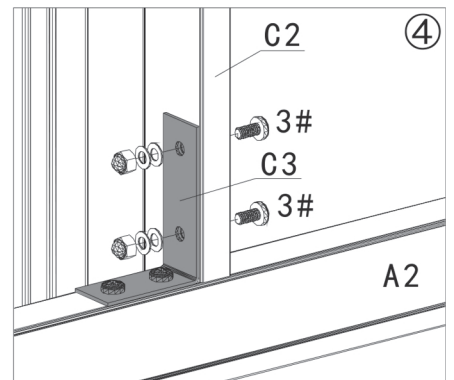
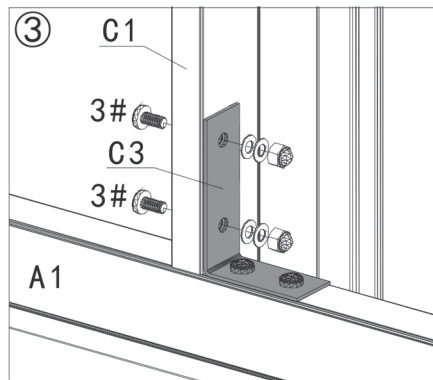
Step 3: Place part #J1 on the bottom frame(A6), using 4 screws 1# and gaskets to fix.

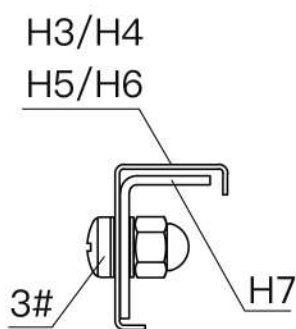
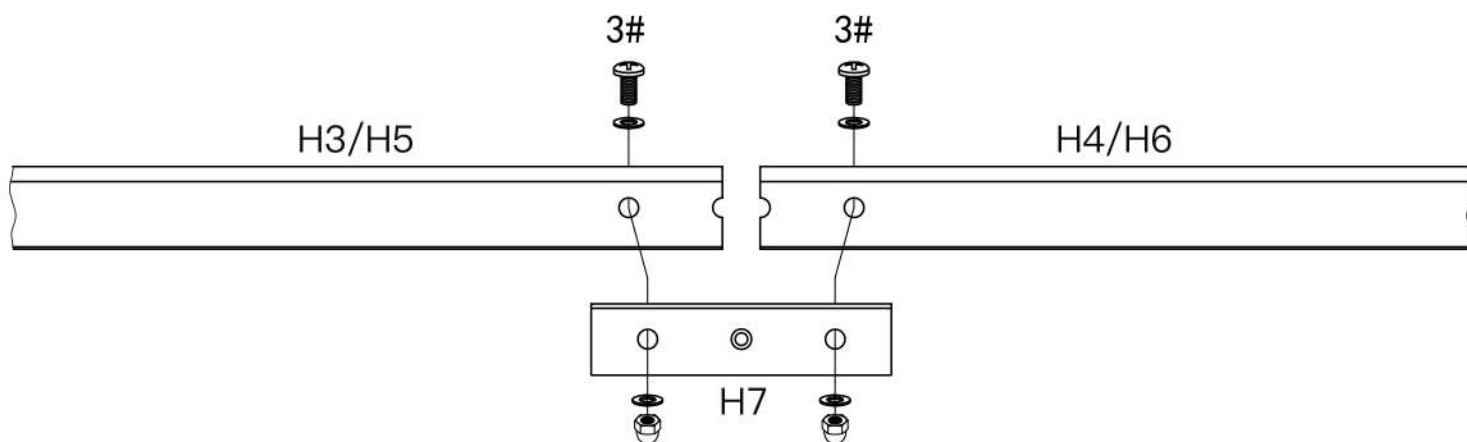
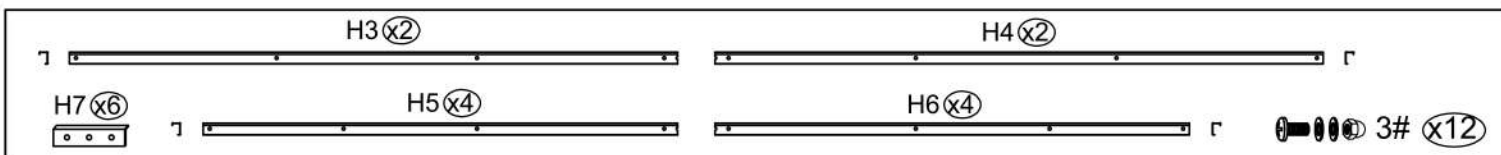
Repeat the above procedures to assemble the another side as shown in ②.

Step 4: Fix the part #C3 to the part #C1(C2) with 2 screws 3#, 2 gaskets and nuts each as shown in ③④.



Attention: To ensure the stability of the wall panel(J1) during assembly, you can temporarily reinforce this position(☆) with screws 2#, and replace it with other correct screws when the next installation is made.





Side View

Use part#H7 to connect part#H3 and part#H4, and fix by screws 3#, gaskets and nuts.

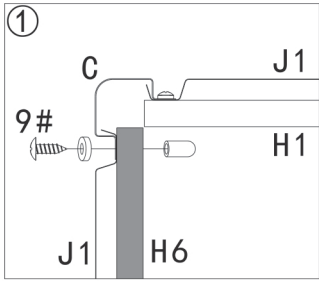
Repeat the above procedures to connect part#H5 and part#H6.



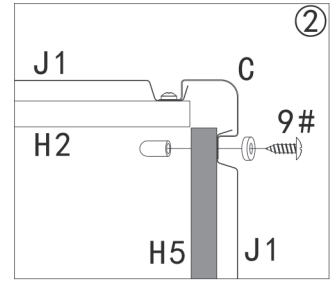
X2



X4



Step 1: Place part #J1/C/J on the bottom frame (A6/A4), using 7 screws 1# and gaskets to fix.
Step 2: Use 2 screws 9# and gaskets to install 2 part# (H5+H6) with part#C & J1, then put on the plastic caps as shown in ①.



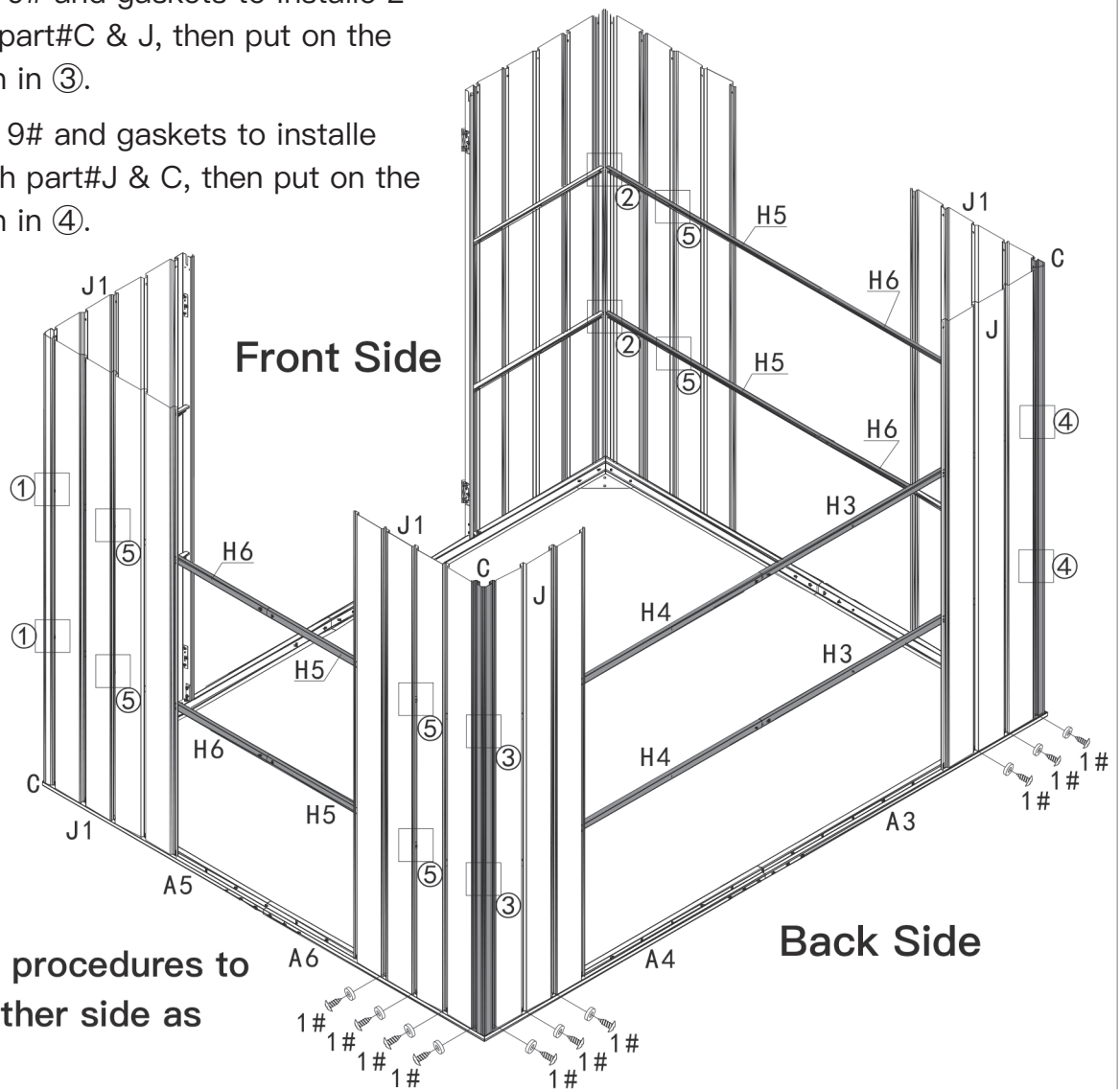
Step 3: Use 2 screws 9# and gaskets to install 2 part# (H5+H6) with part#J1 & C, then put on the plastic caps as shown in ③.

Step 4: Use 4 screws 9# and gaskets to install 2 part# (H5+H6) with 2 part#J, then put on the plastic caps as shown in ⑤.

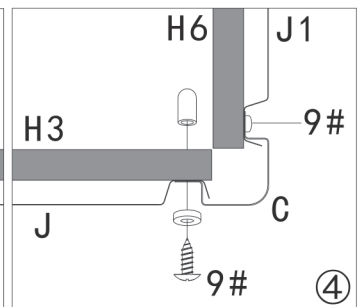
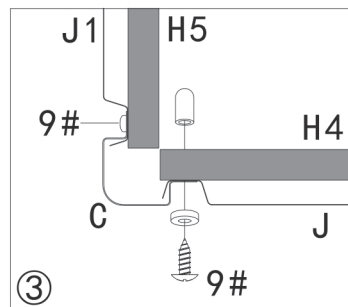
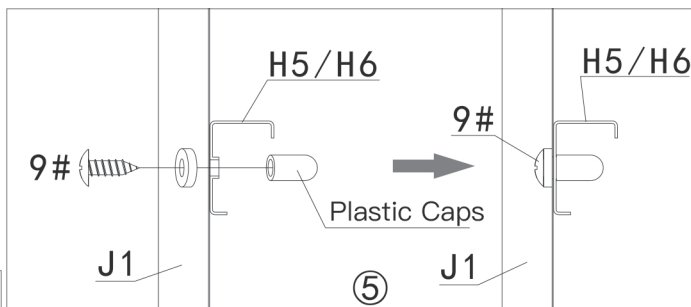
Repeat the above procedures to assemble the another side as shown in ②④⑤.

Step 5: Use 2 screws 9# and gaskets to install 2 part# (H4+H3) with part#C & J, then put on the plastic caps as shown in ③.

Step 6: Use 2 screws 9# and gaskets to install 2 part# (H4+H3) with part#J & C, then put on the plastic caps as shown in ④.



Repeat the above procedures to assemble the another side as shown in ②④⑤.





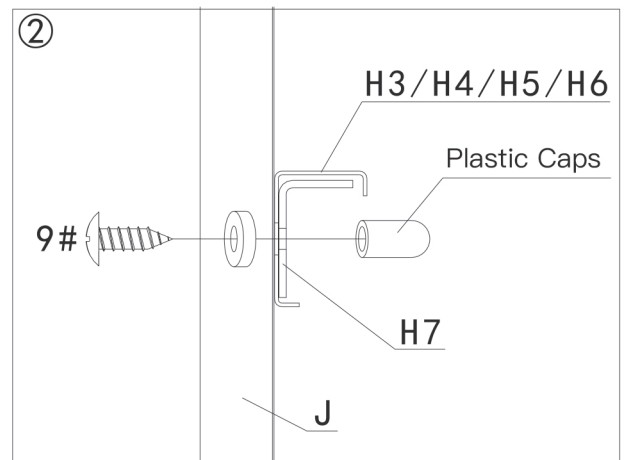
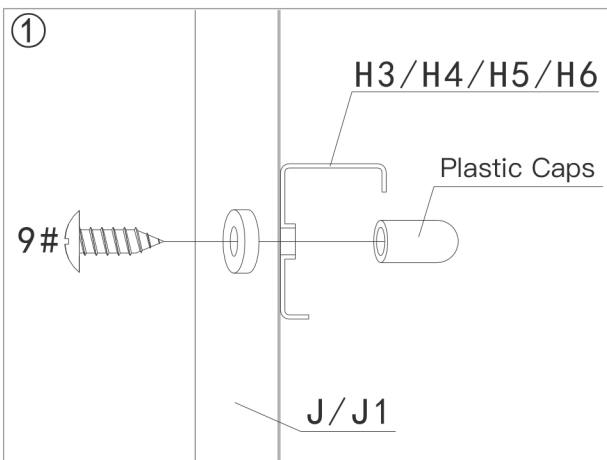
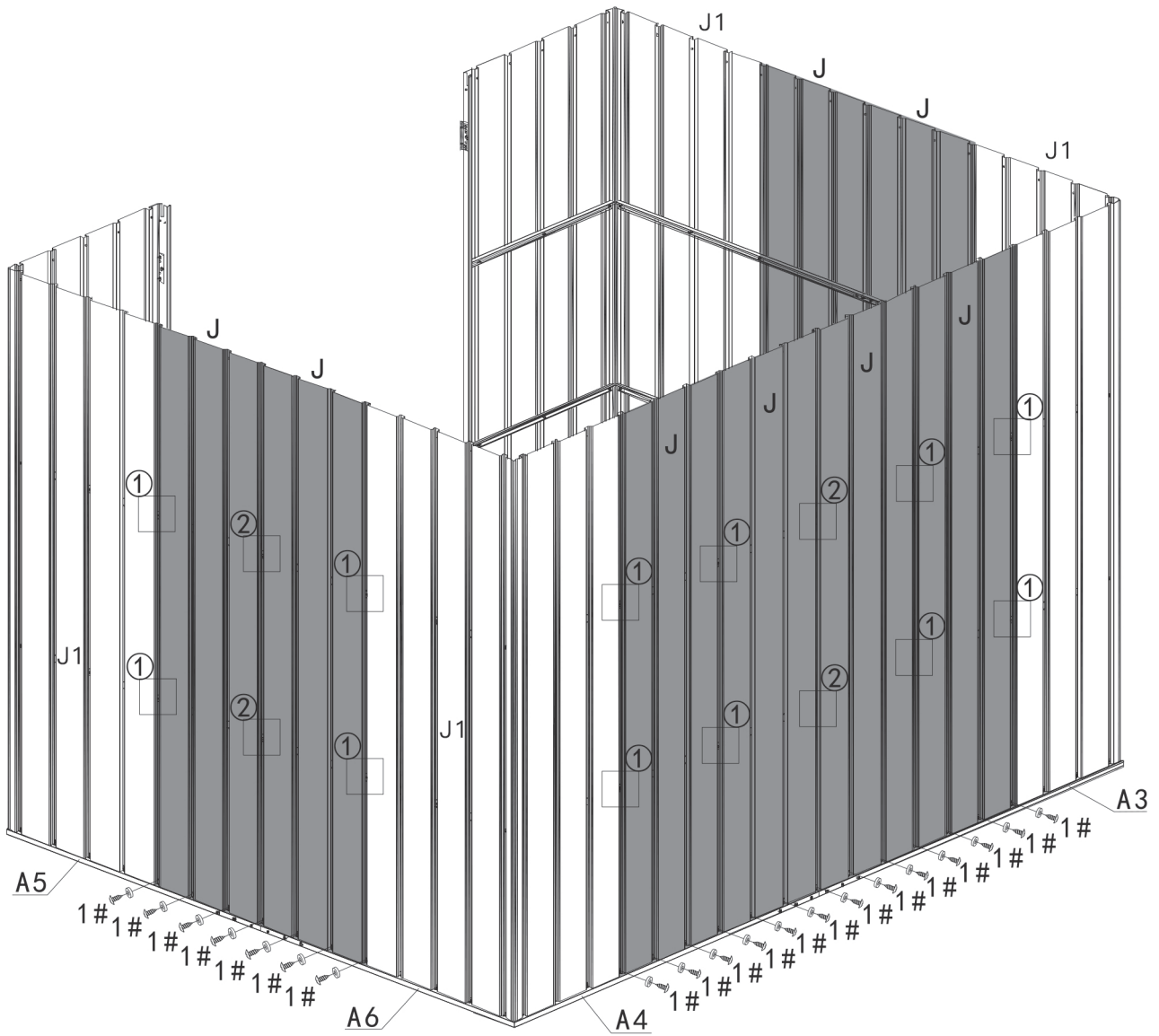
Step 1: Use 7 screws 1# and gaskets to fix 2 part#J on the bottom frame(A5 & A6).

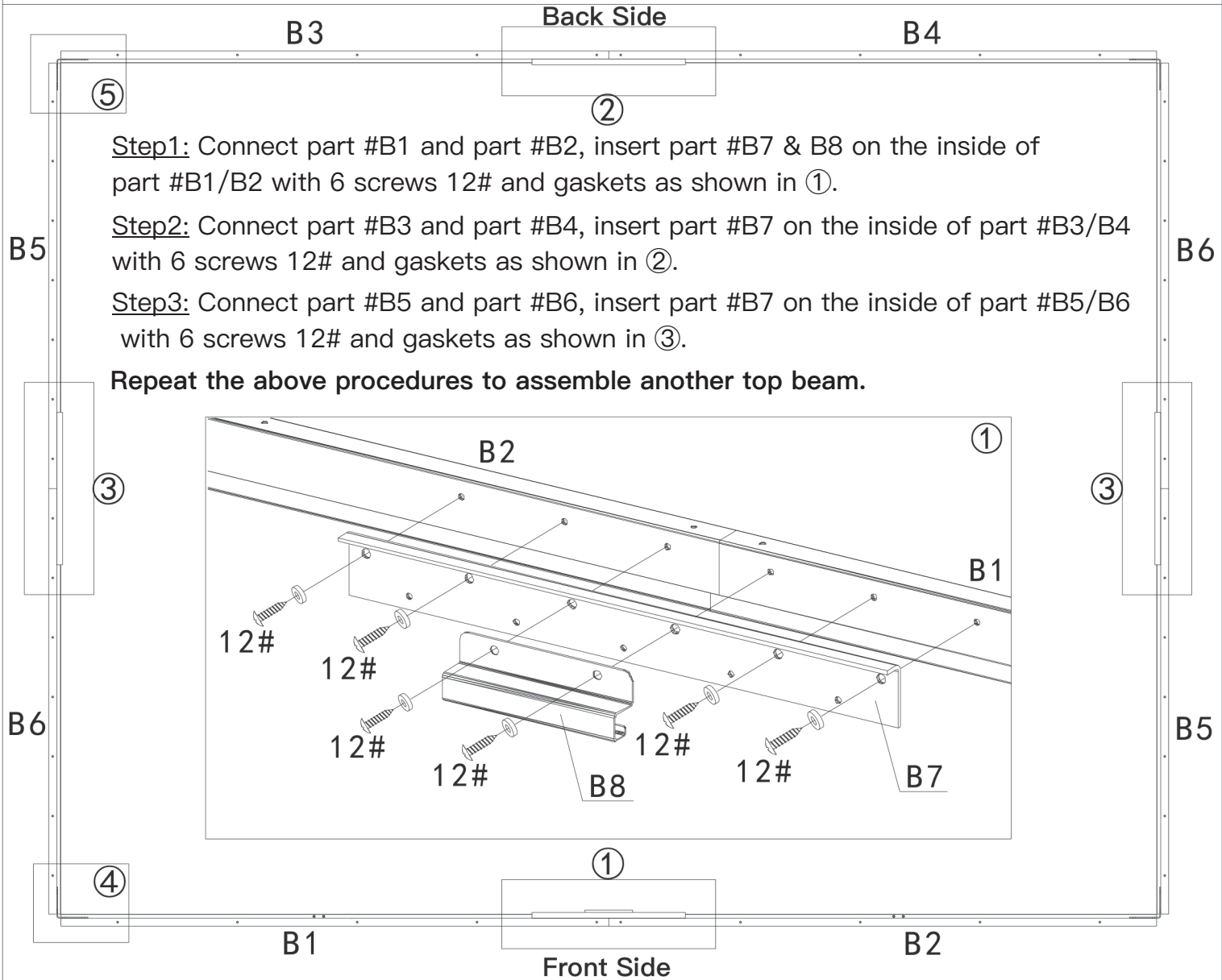
Step 2: Use 6 screws 9# and gaskets to fix 2 part#J with 2 part#(H5+H6), then put on the plastic caps to form a whole side wall as shown in ①②.

Repeat the above procedures to assemble another side wall.

Step 3: Use 13 screws 1# and gaskets to fix 4 part#J on the bottom frame(A4 & A3).

Step 4: Use 10 screws 9# and gaskets to fix 4 part#J with 2 part#(H3+H4), then put on the plastic caps to form a whole back wall as shown in ①②.



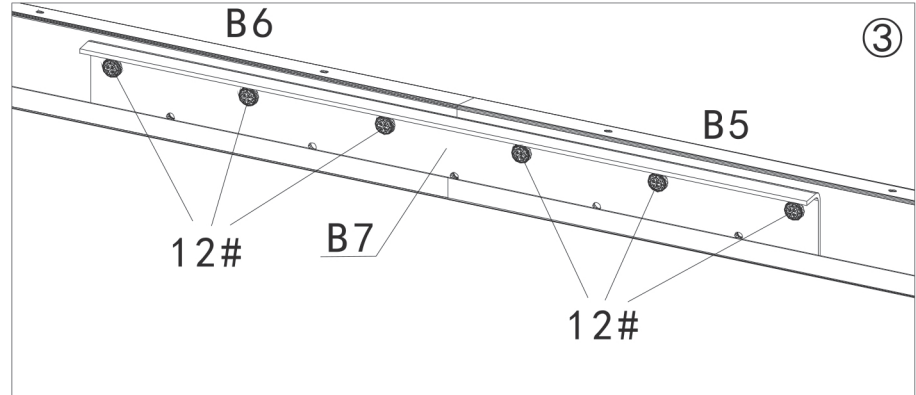
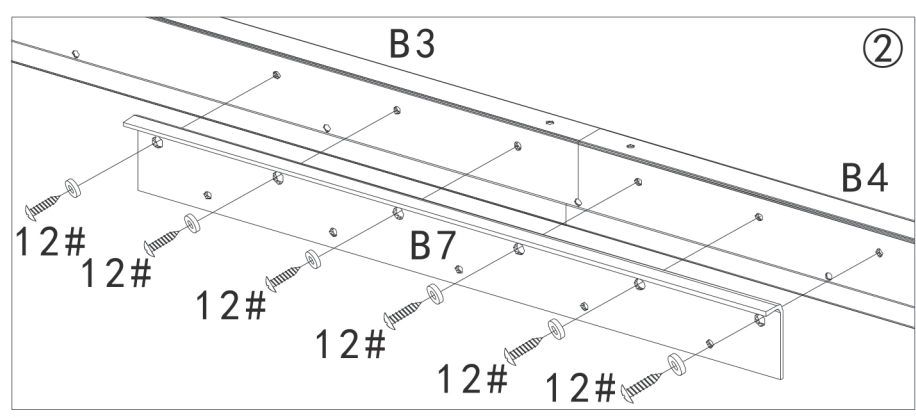
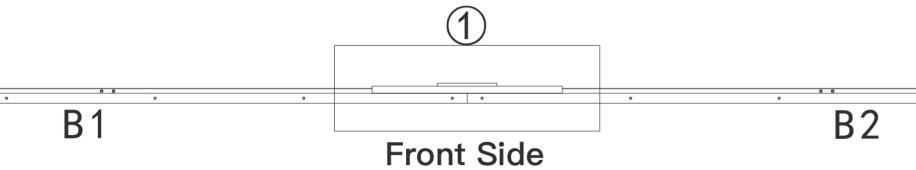
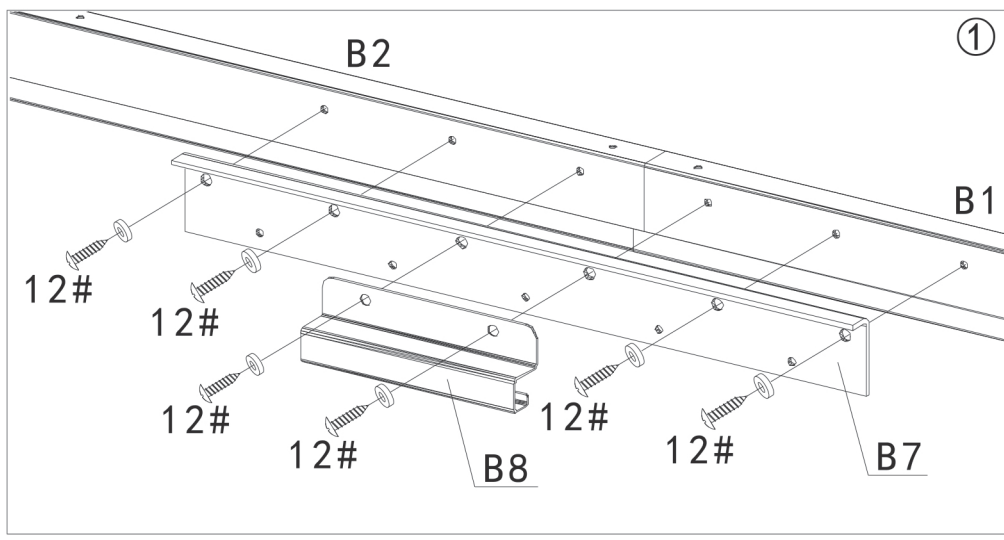


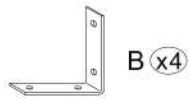
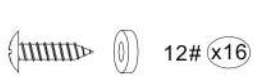
Step1: Connect part #B1 and part #B2, insert part #B7 & B8 on the inside of part #B1/B2 with 6 screws 12# and gaskets as shown in ①.

Step2: Connect part #B3 and part #B4, insert part #B7 on the inside of part #B3/B4 with 6 screws 12# and gaskets as shown in ②.

Step3: Connect part #B5 and part #B6, insert part #B7 on the inside of part #B5/B6 with 6 screws 12# and gaskets as shown in ③.

Repeat the above procedures to assemble another top beam.

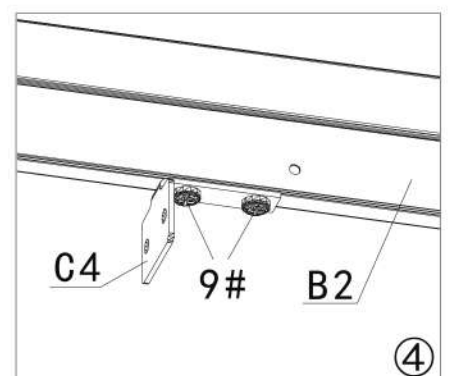
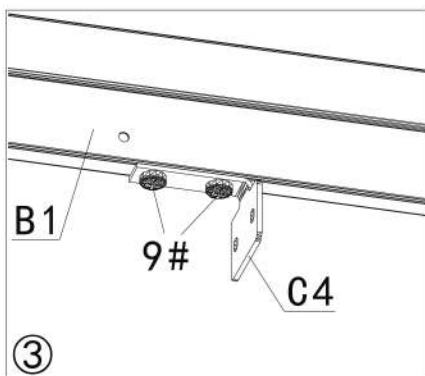
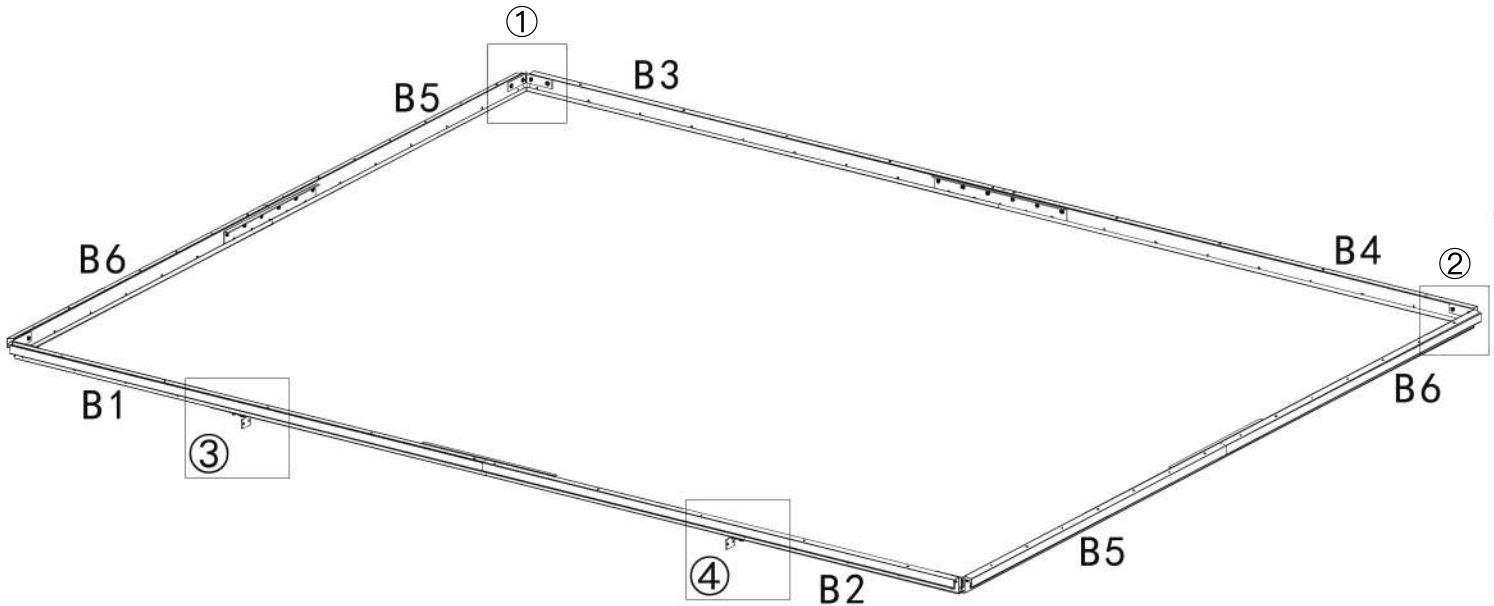
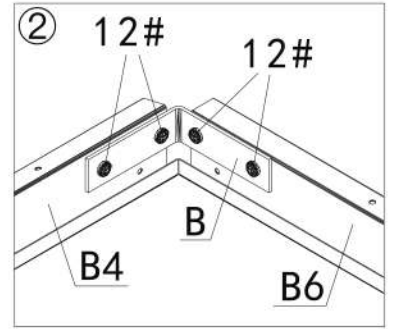
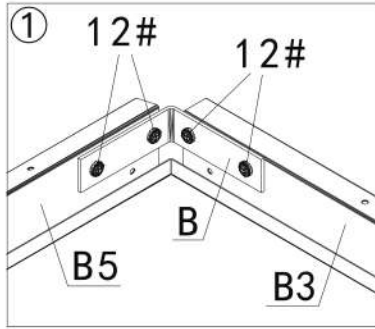


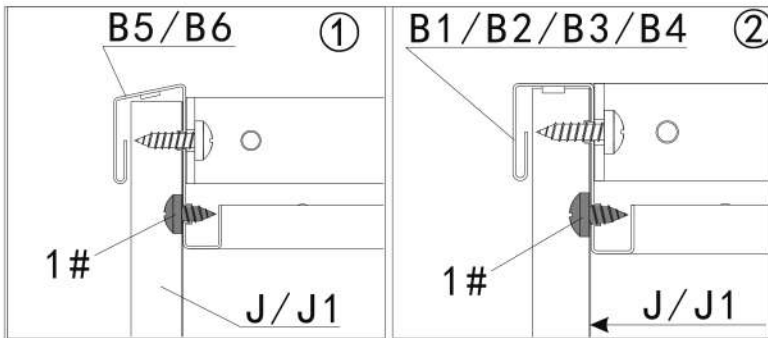


Enclose with part #B5/B3, part #B4/B6, part #B5/B2, part #B1/B6, according to the figure above, and the part#B connects the four corners, then fixed with 16 screws 12# and gaskets as shown in ①②.

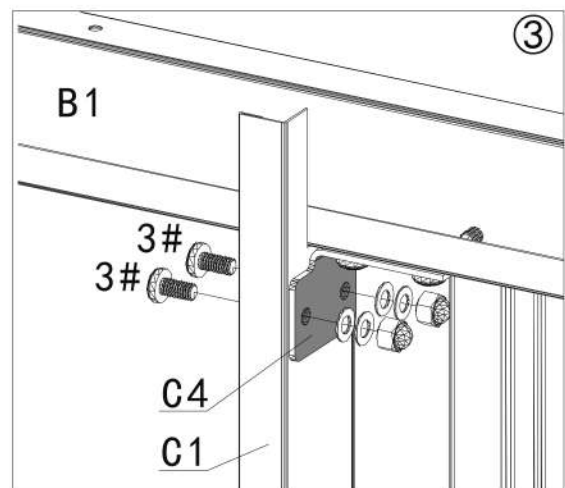
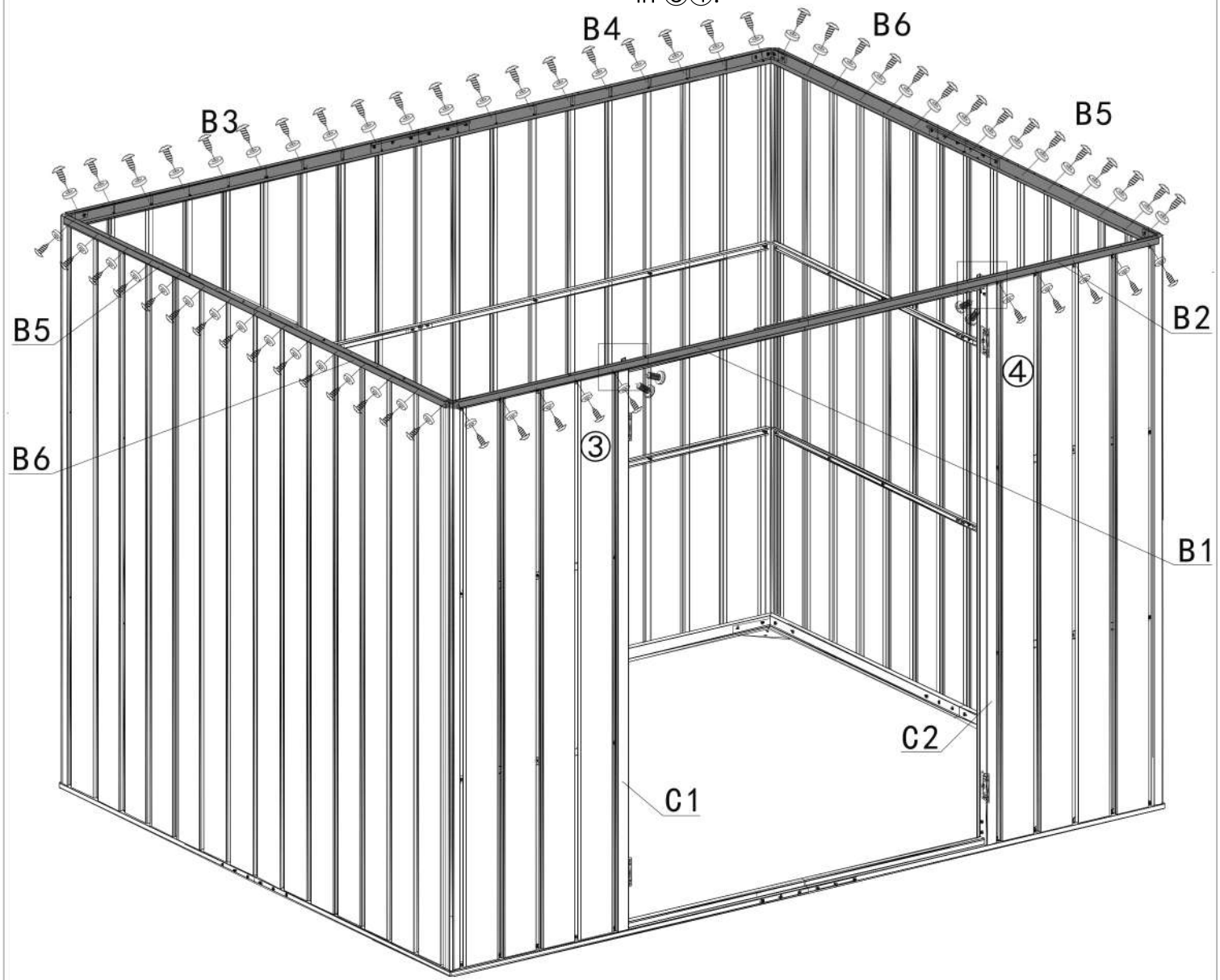
Fix 2 part #C4 on part #B1, part #B2 by 4 screws 9#, gaskets as shown in ③④.

! You can also install the top frame on each wall separately.

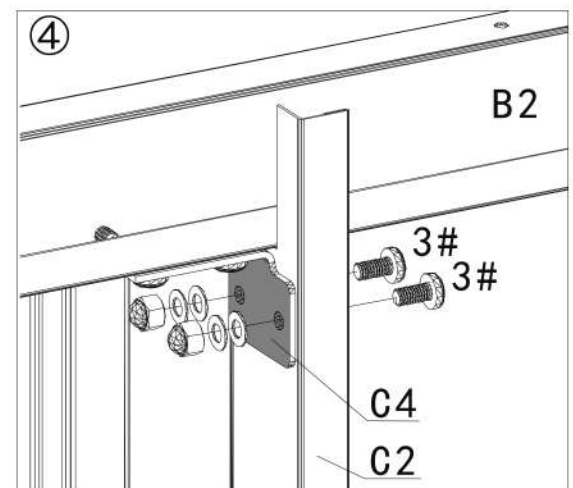




Place the assembled beam (B1,B2, B3,B4,B5,B6) on the upper end of the wall panel, and fix with 59 screws 1# and gaskets as shown in ①②. Fix the upper end of the part #C1/C2 with part #B1 and part#C4 by using screws 3#, the nuts and gaskets are on the back side as shown in ③④.



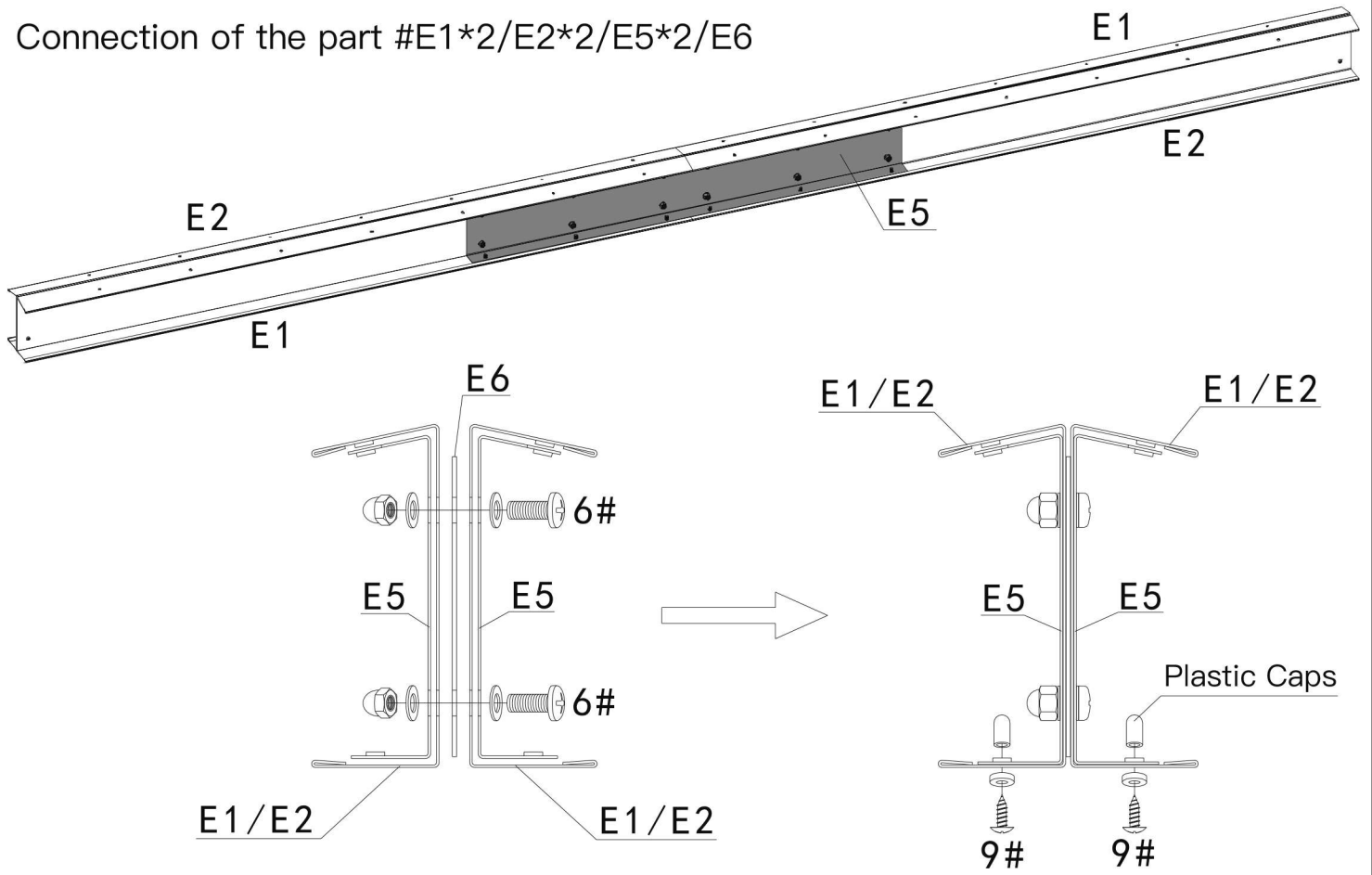
Inside View



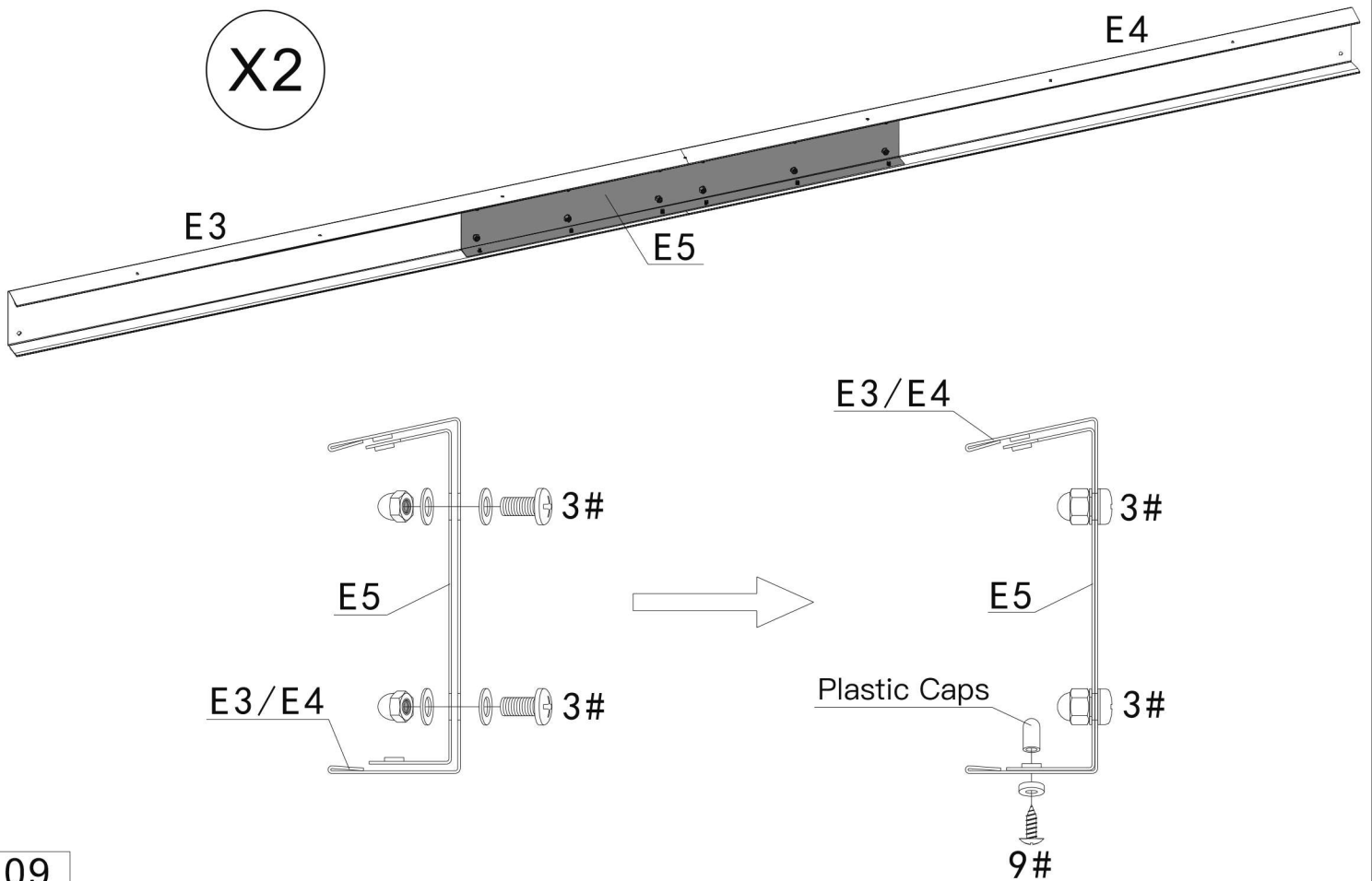
Inside View

- | | | | | | |
|--|--------|--|--------|--|---------|
| | E1(x2) | | E2(x2) | | 9#(x24) |
| | E3(x2) | | E4(x2) | | 3#(x24) |
| | E5(x4) | | E6(x1) | | 6#(x12) |

Connection of the part #E1*2/E2*2/E5*2/E6



Connection of the part #E3/E4/E5



D1 (x2)

D2 (x2)

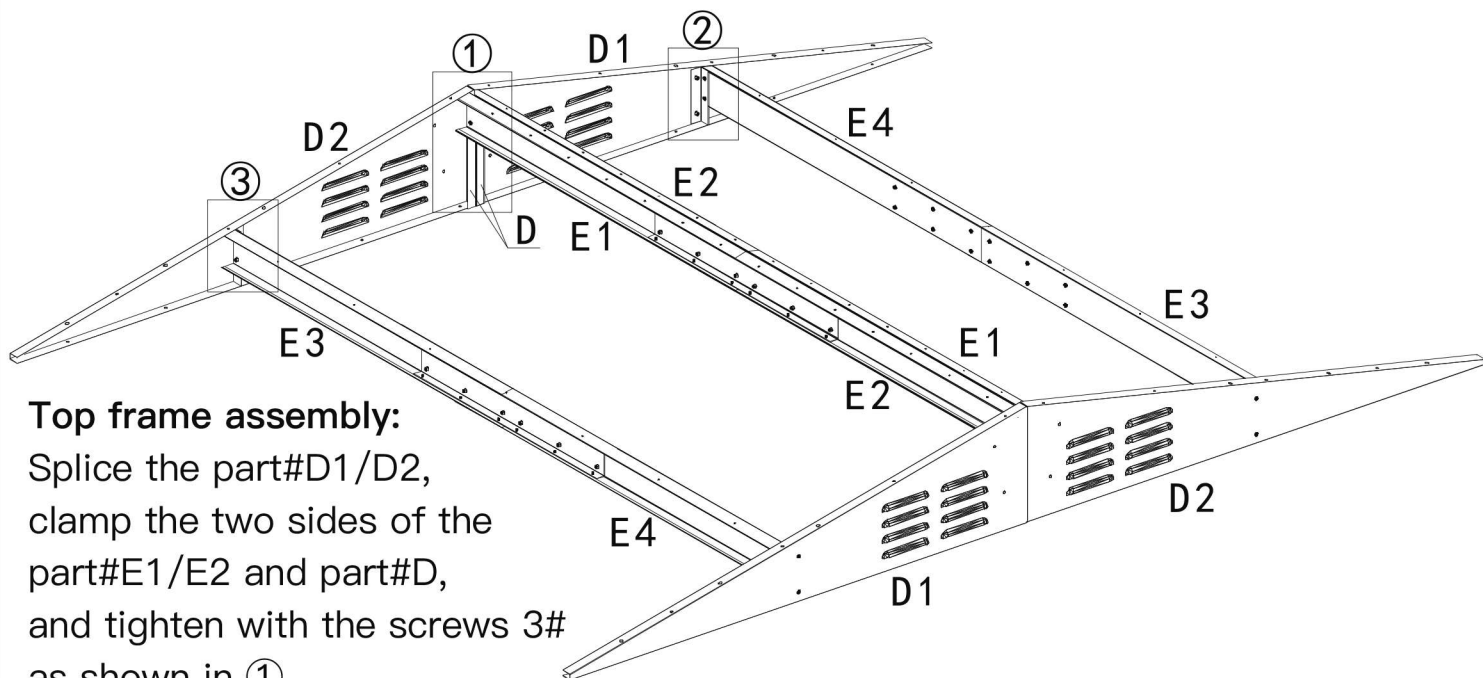
D3 (x2)

D (x4)

2# (x16)

D4 (x2)

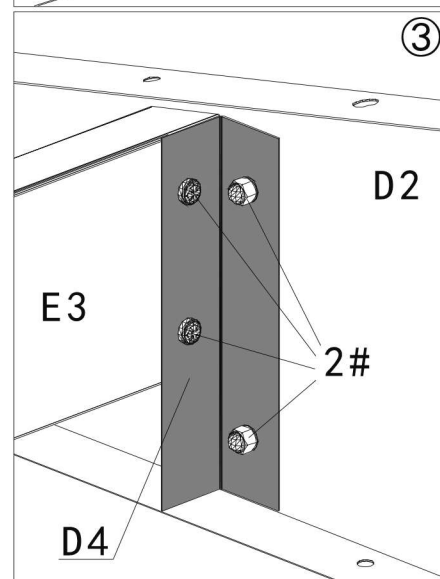
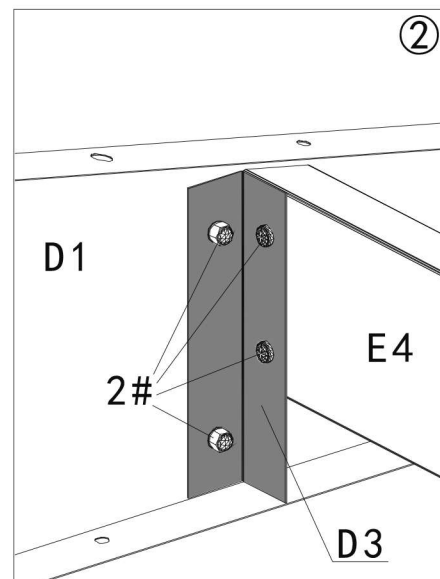
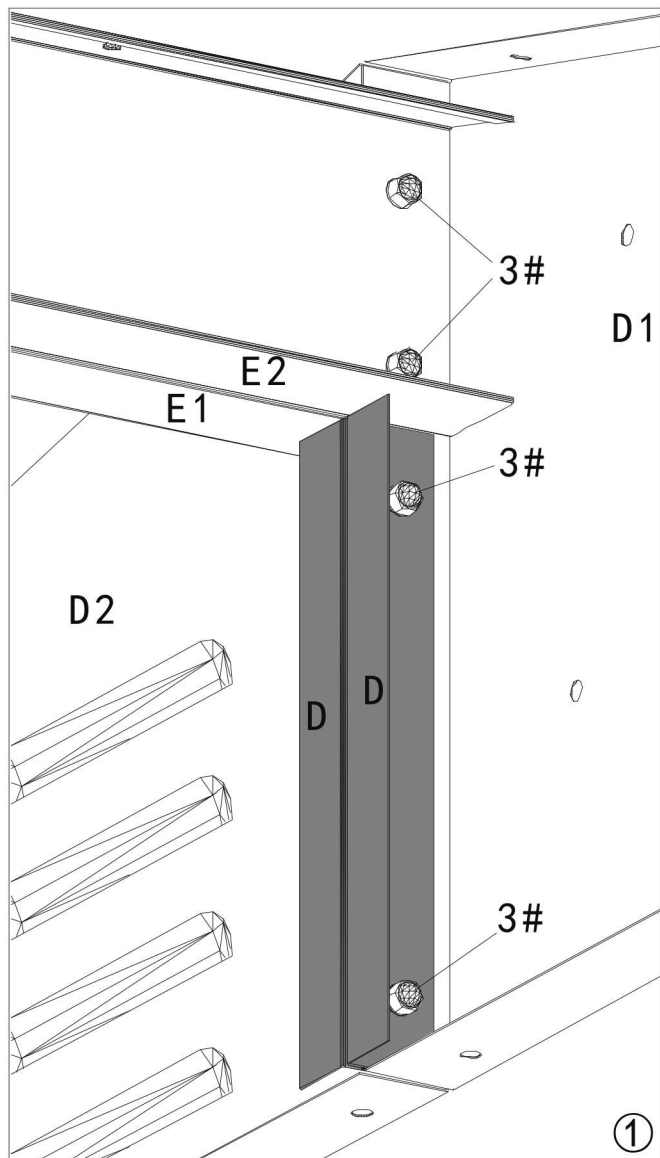
3# (x8)



Top frame assembly:

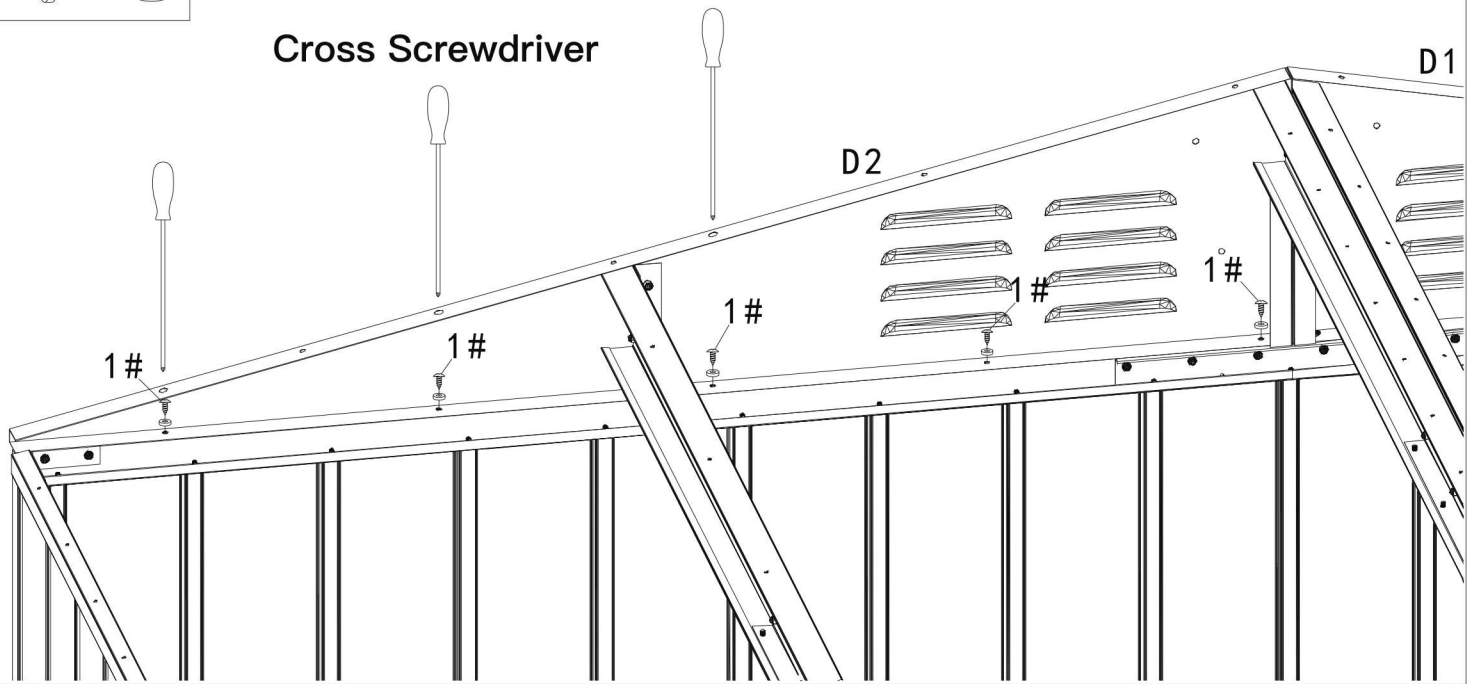
Splice the part#D1/D2,
clamp the two sides of the
part#E1/E2 and part#D,
and tighten with the screws 3#
as shown in ①.

Fix part#E3/E4 with part#D3/D4 as shown in ②③.

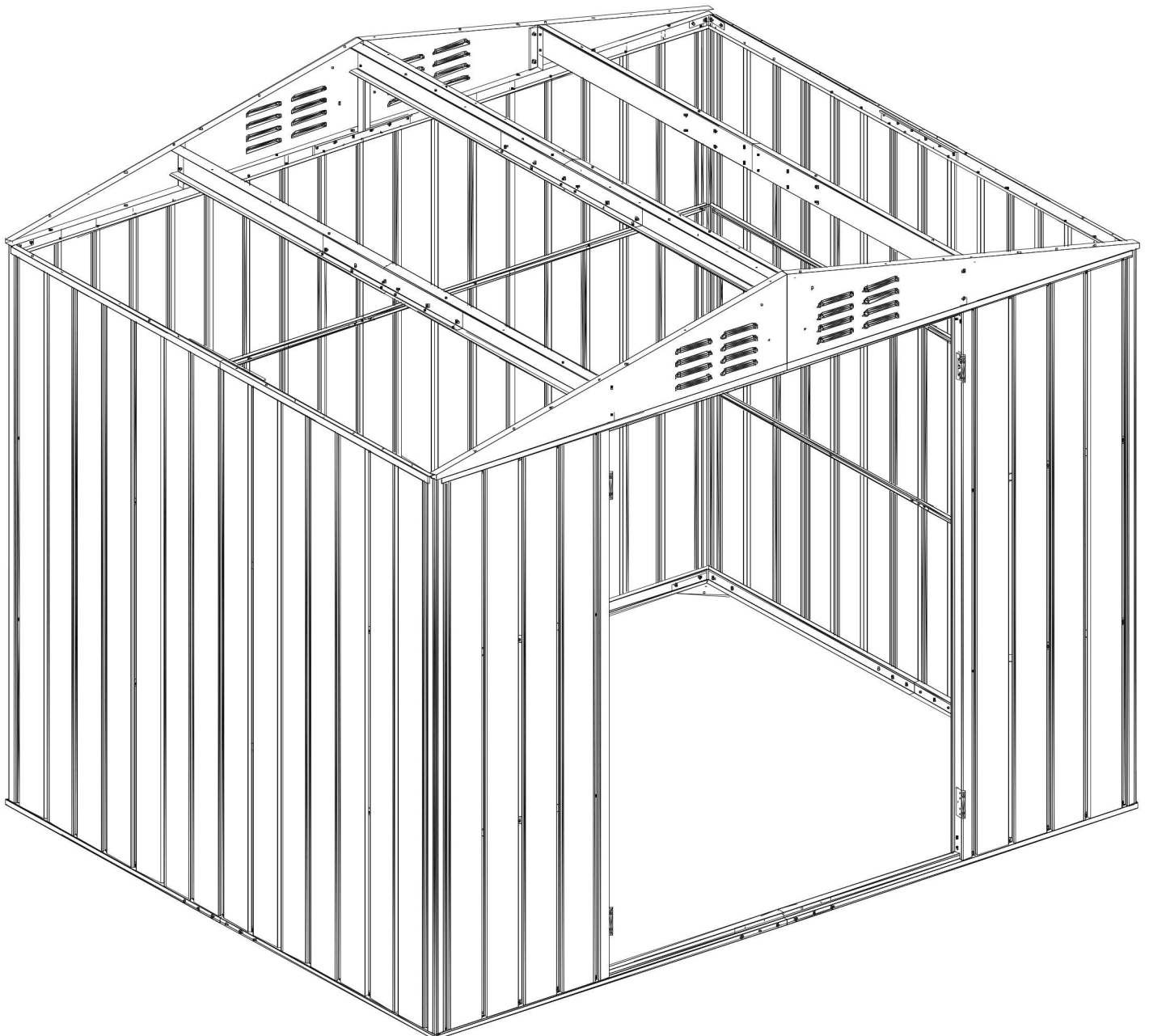


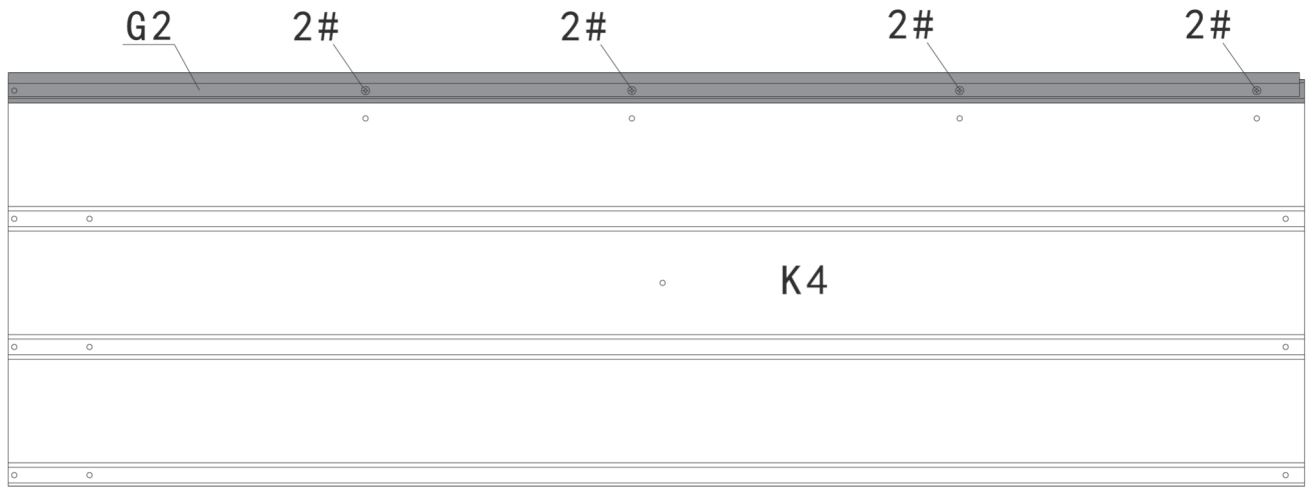
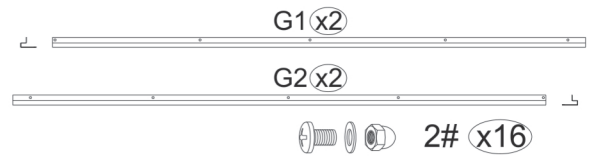
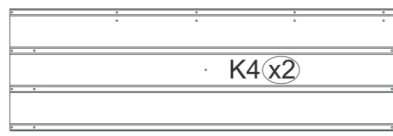
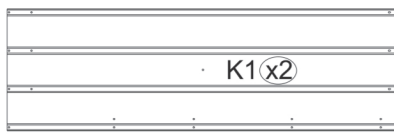
1# x20

Cross Screwdriver



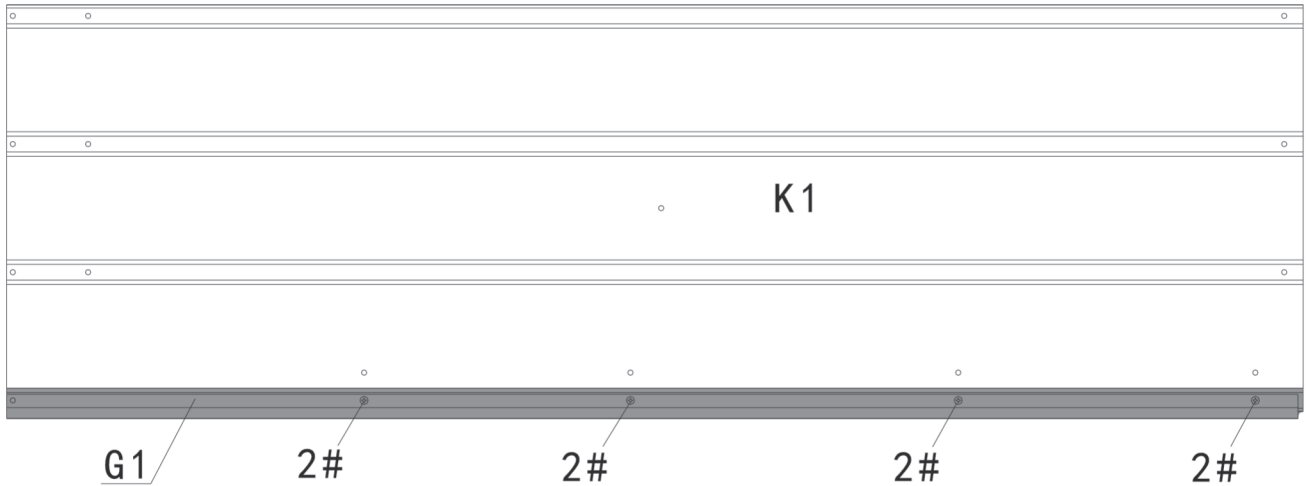
Put the top frame on beam(#B1 & #B2 & #B3 & #B4), use 20 screws #1 to fix.





X2

Assemble the part#G2 to the one side of part#K4 with 4 screws 2# gaskets and nuts.
Assemble the part#G1 to the one side of part#K1 with 4 screws 2# gaskets and nuts.



X2



Section View



Z x42

1# x28

4# x28

2# x12

5# x14

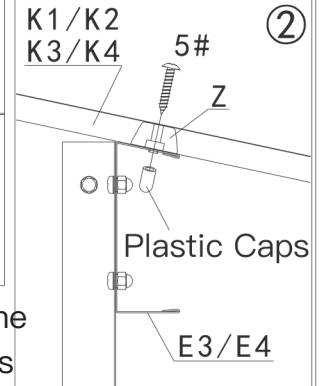
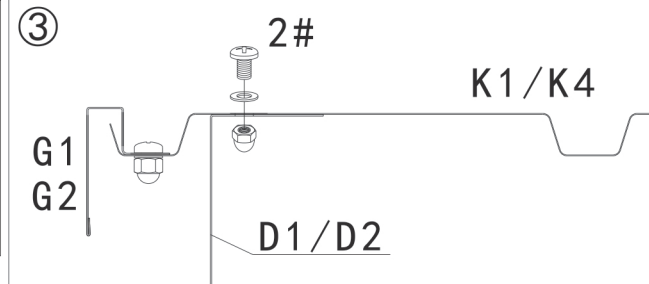
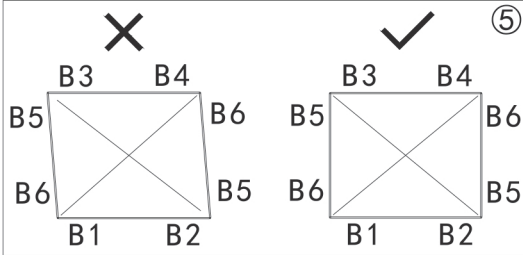
K1

K2

K3

K2

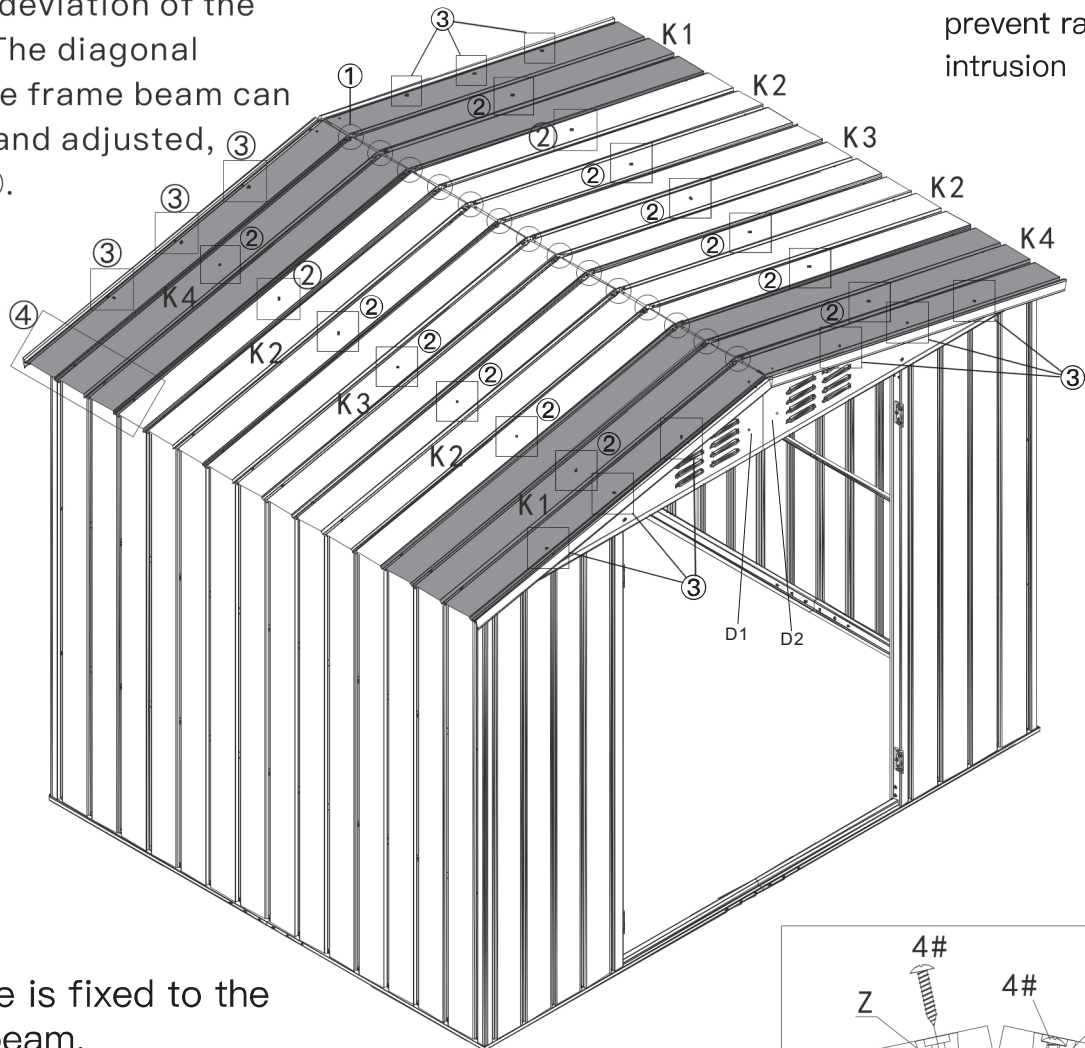
K4



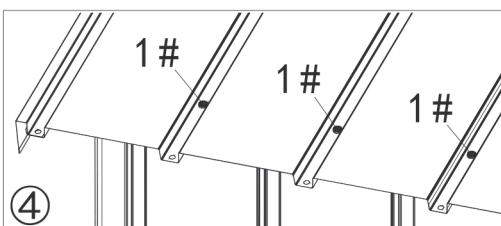
Attention: The top plate can be installed in order or reverse order. If there is a deviation between the top plate and the top frame installation hole, it is generally caused by the diagonal size deviation of the frame beam. The diagonal distance of the frame beam can be measured and adjusted, as shown in ⑤.

The roof panel K1/K4 is fixed with top frame D1/D2 by using screws 2#, gaskets and nuts as shown in ③, then fix with screw 1# and gaskets to side top beam as shown in ④.

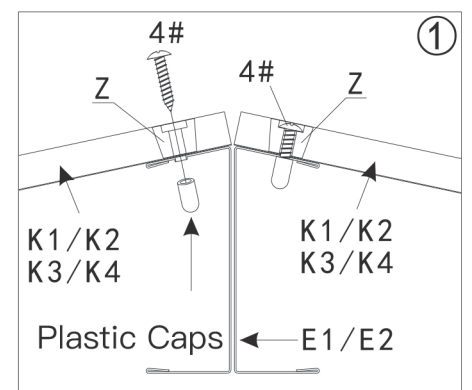
Part #Z shall be inserted at the fixed position of top beam and top roof to prevent rainwater intrusion

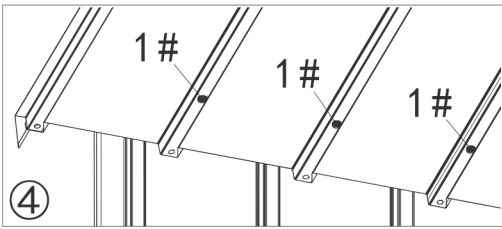
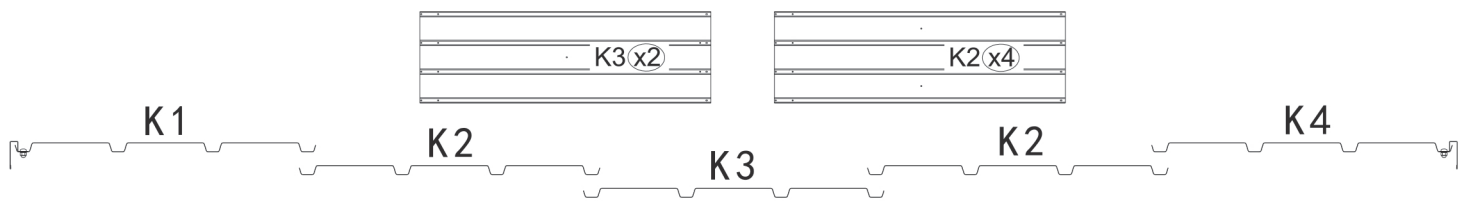


The top plate is fixed to the side frame beam.

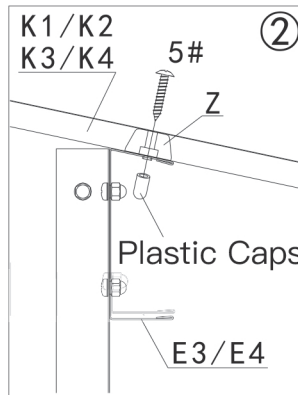


Secure the top plate to the top beam with self-tapping screw 4# and pad Z.



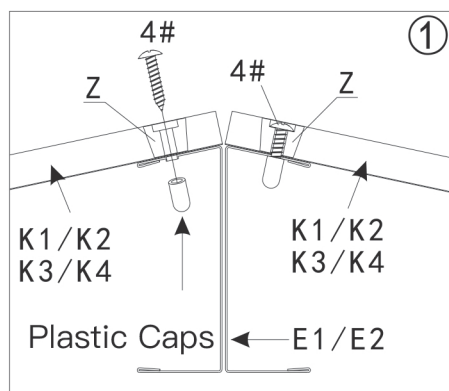
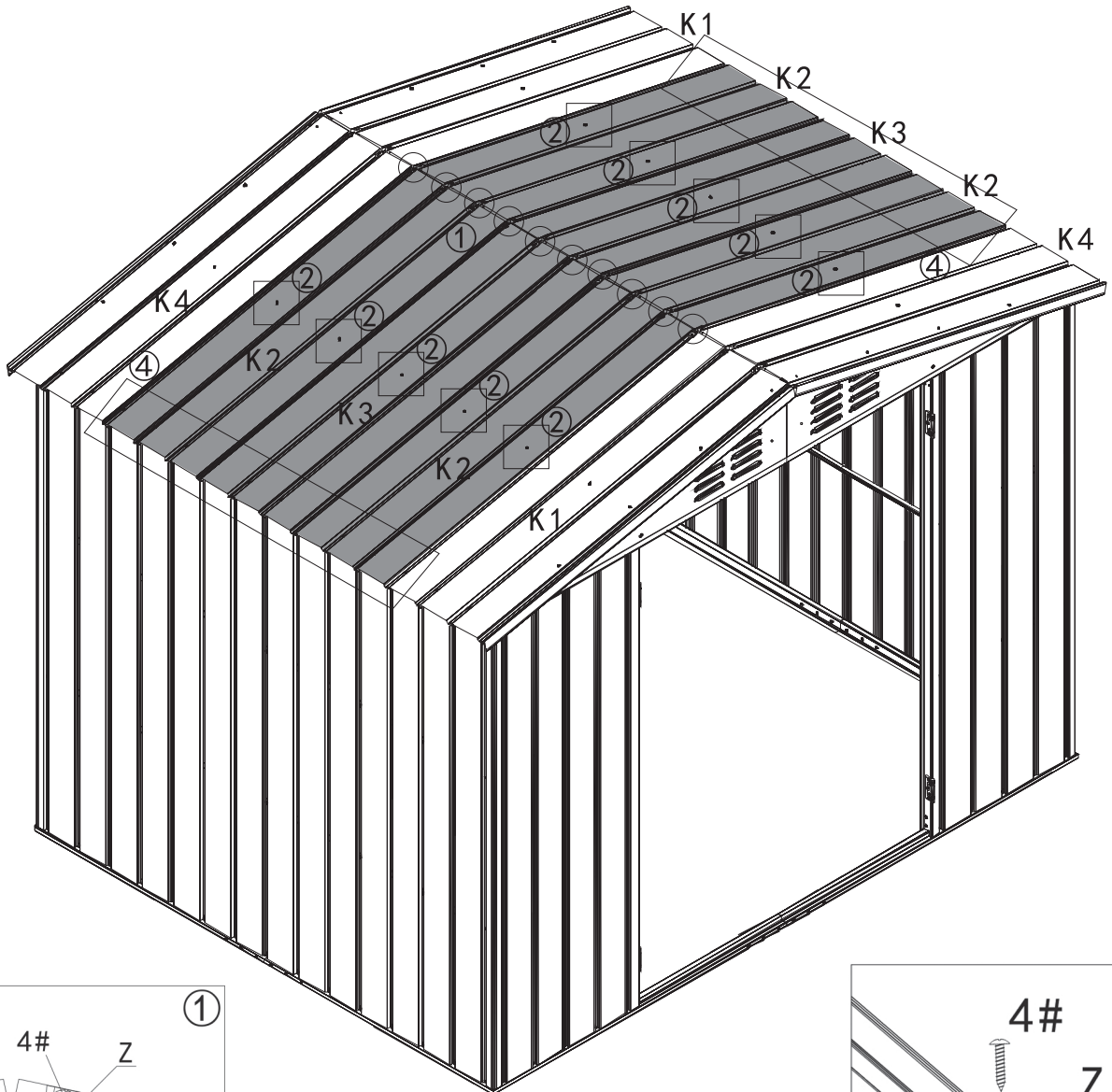


The top plate is fixed to the side frame beam.

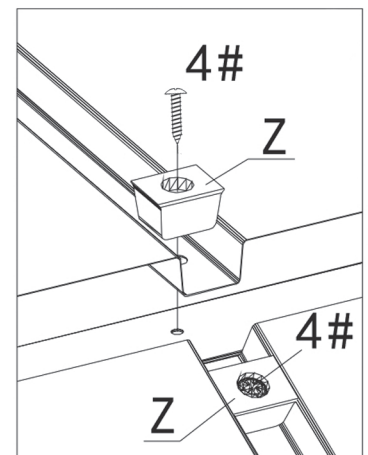


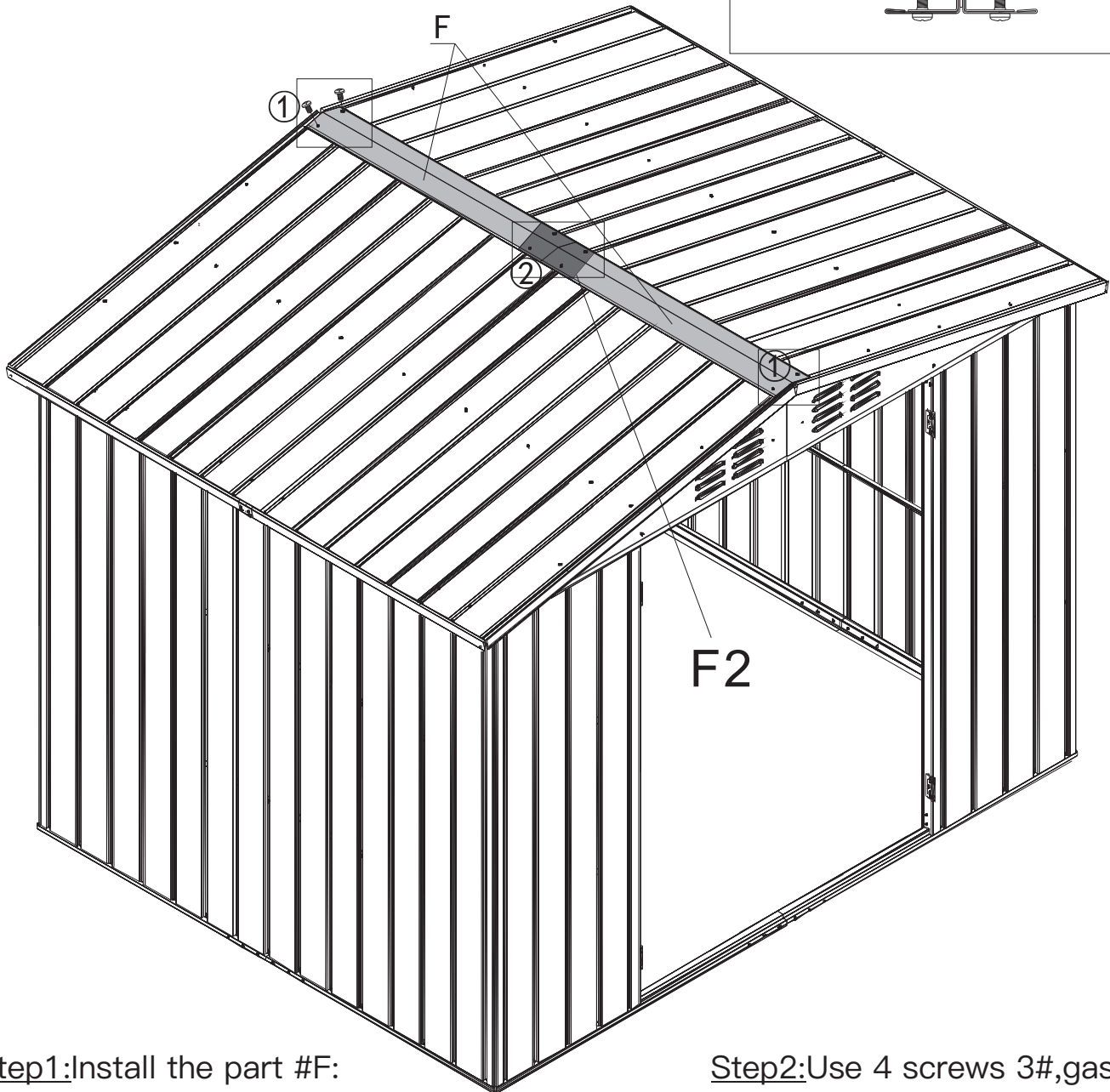
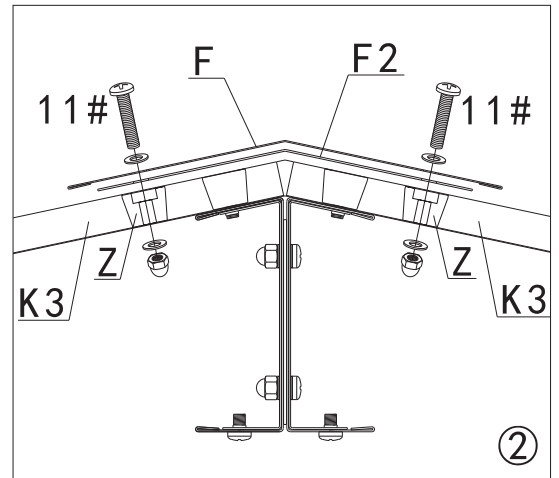
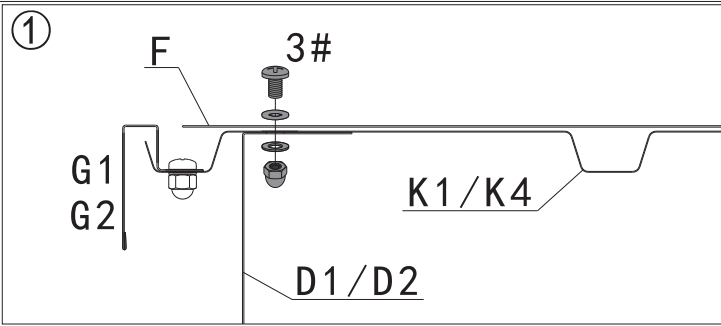
Part #Z shall be inserted at the fixed position of top beam and top roof to prevent rainwater intrusion.

Fix the roof panel K2/K3/K2 by using screws 2# gaskets and nuts as shown in (2), then fix with screw 1# and gaskets to side frame beam as shown in (4).



Secure the top plate to the top beam with self-tapping screw 4# and pad Z.





Step1:Install the part #F:
 Insert part #Z into the top panel groove, use 4 screws 11#,gaskets and nuts to fix part#F2 and part #F on the roof top.(part #F should cover on part#F2) as shown in ②.

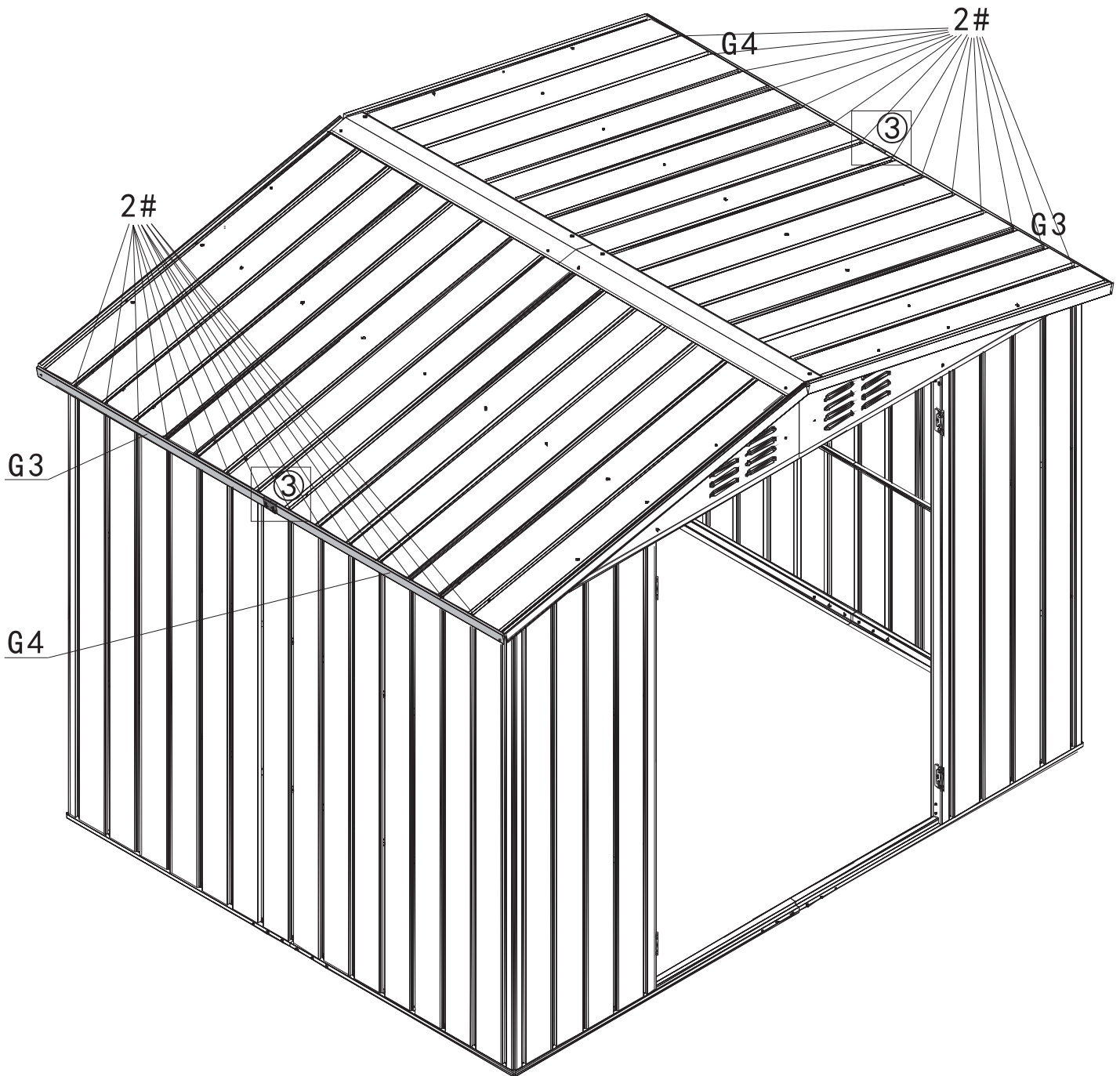
Step2:Use 4 screws 3#,gaskets and nuts to fix the 2 sides of part #F with part #K1/K4 and part #D1/D2 as shown in ①.

G3(x2)

G4(x2)

2#(x36)

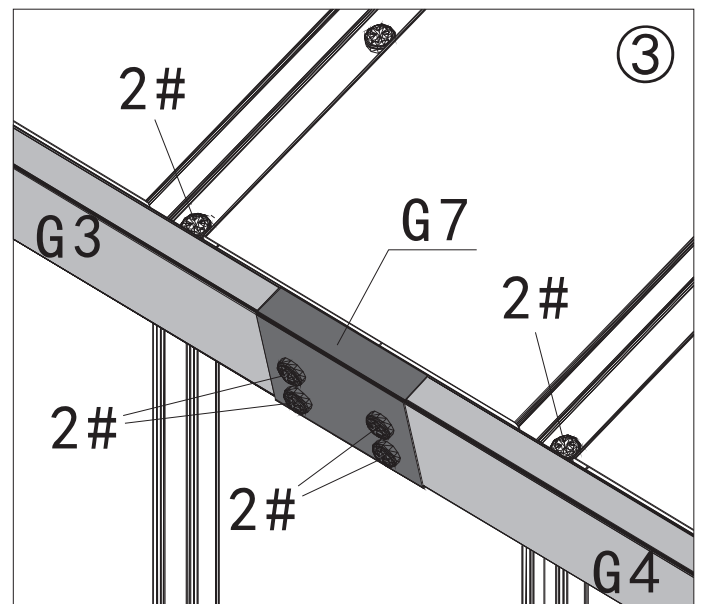
G7(x2)



Step1: Use 14 screws 2# gaskets and nuts to fix part #G3 and part#G4 on the cornice of top roof.

Step2: Use 4 screws 2#,gaskets and nuts to cover part #G7 on the connection of part #G3 and part#G4 as shown in ③.

Repeat the above producers to assemble the another side.





F1(x2)



G5(x2)



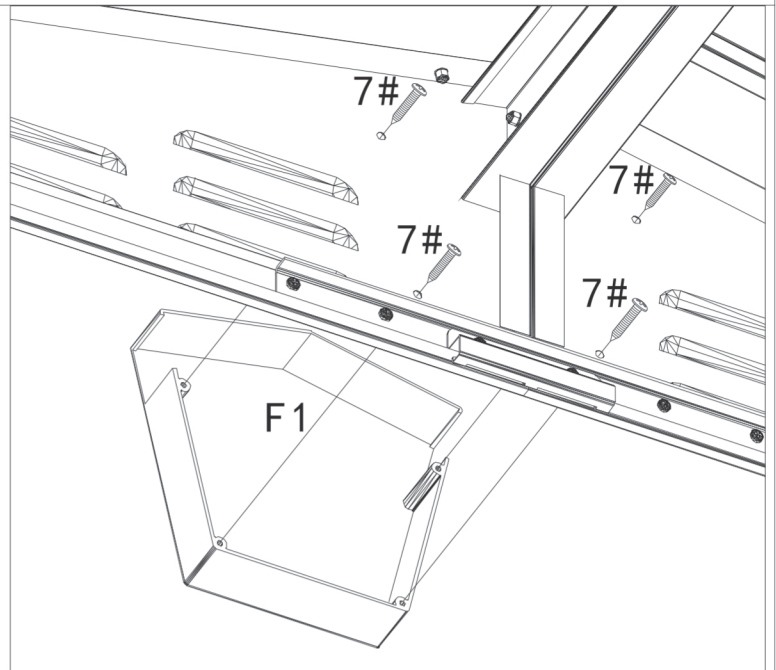
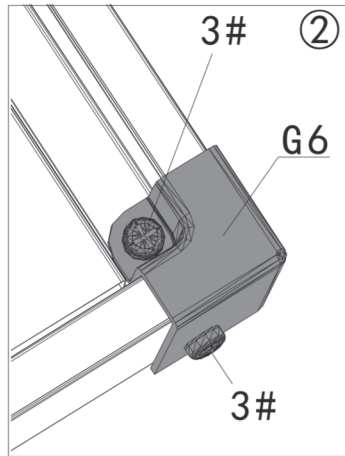
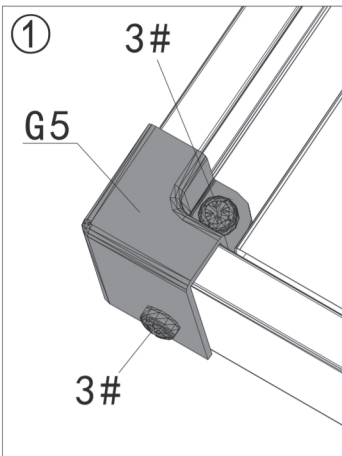
G6(x2)



3#(x8)

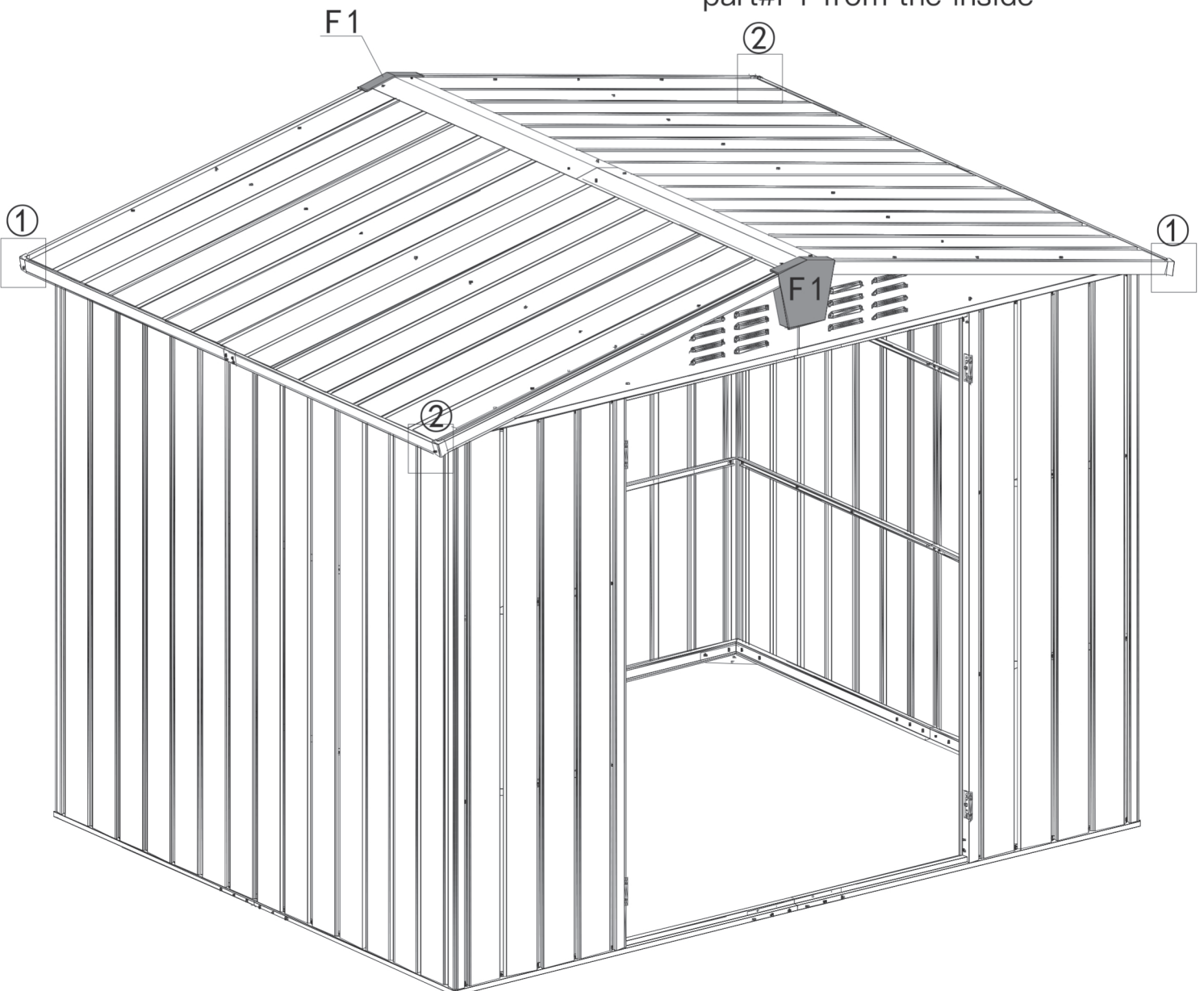


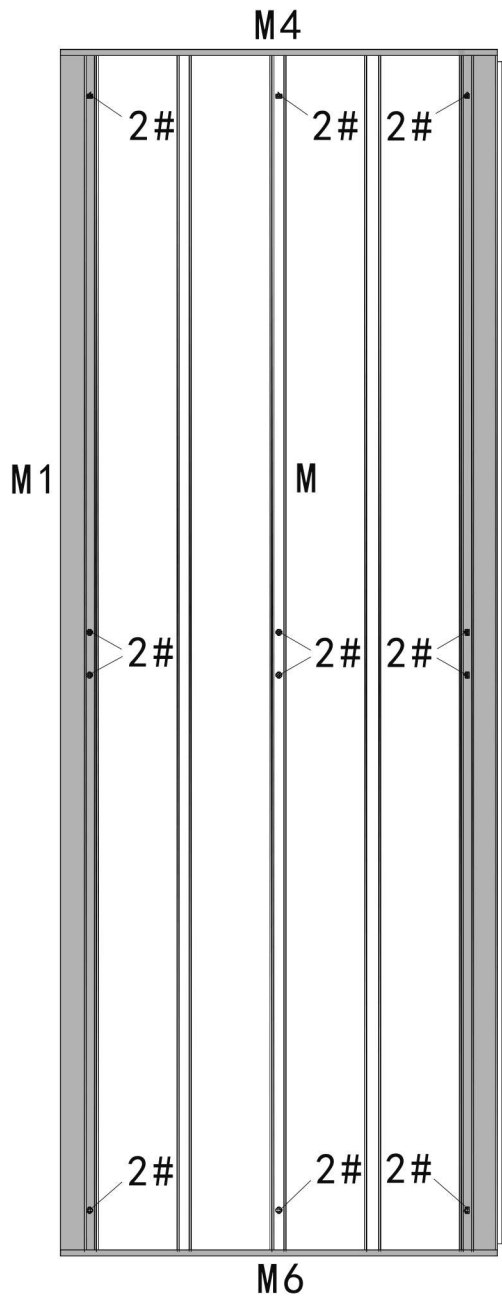
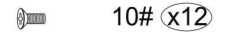
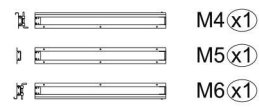
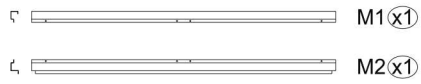
7#(x8)



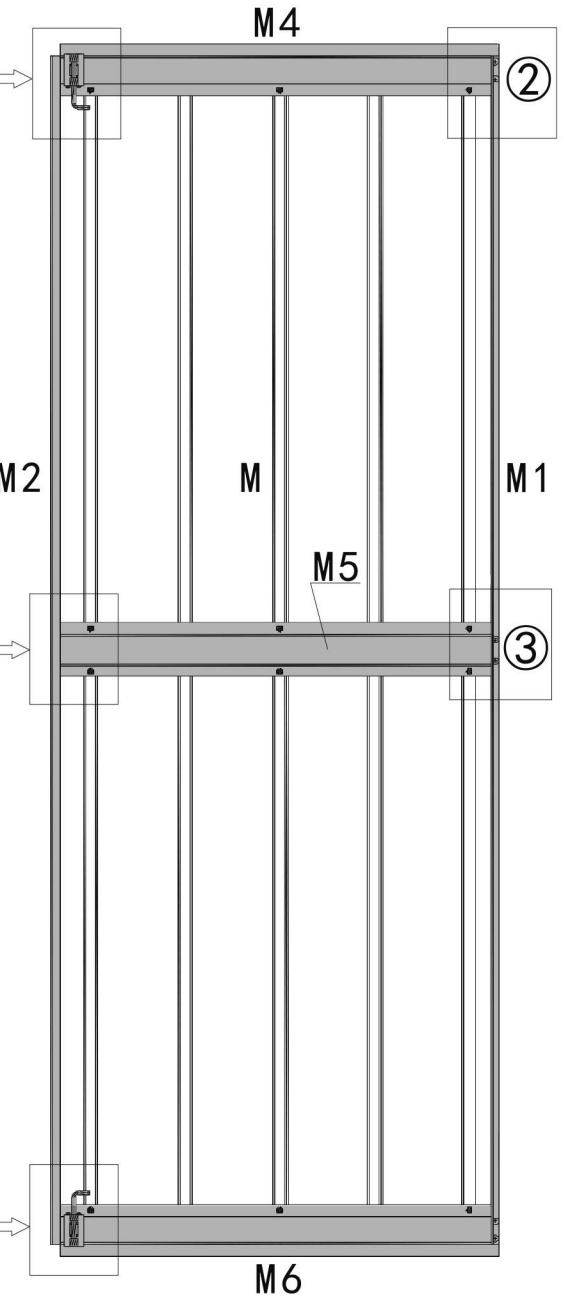
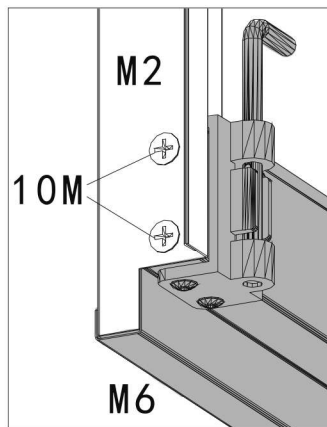
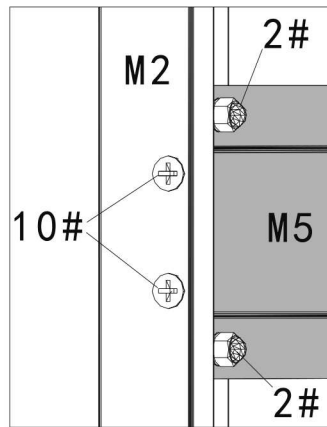
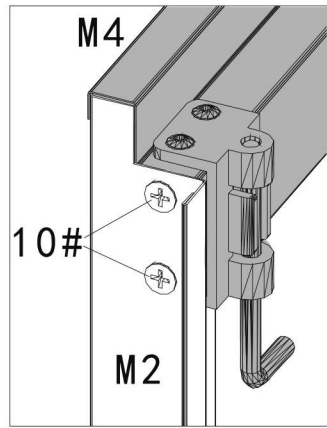
Install the part#G5/G6
with 8 bolts and nuts 3#.

Use screws 7# to install the
part#F1 from the inside

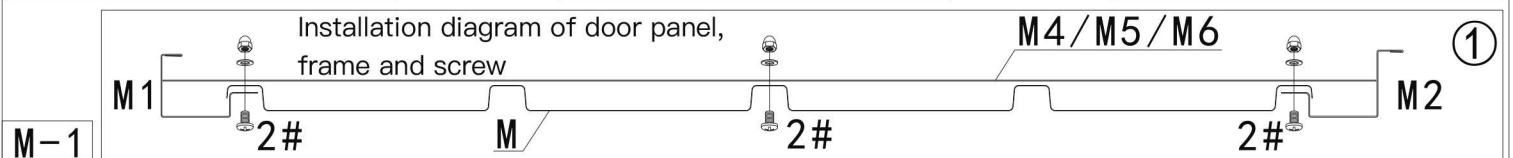
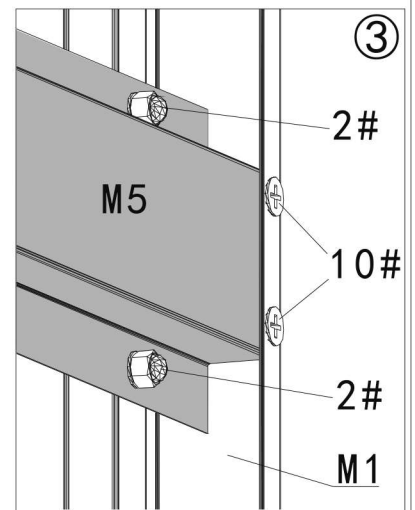
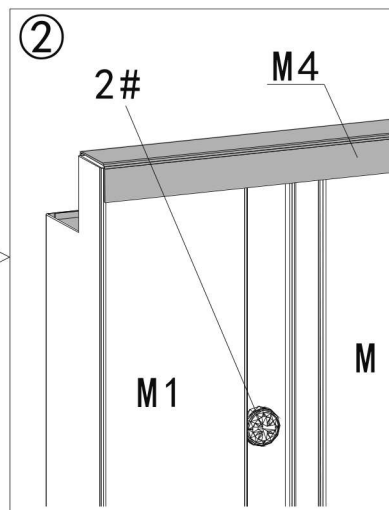
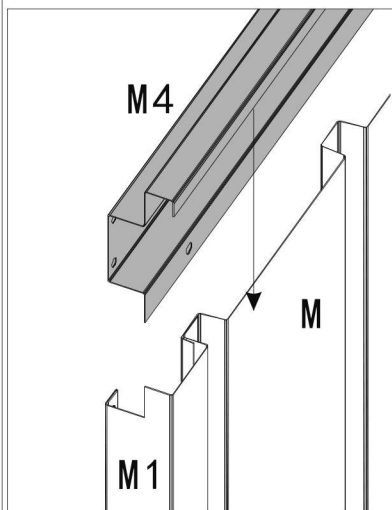




The front side of the left door



The back side of the left door





M (x1)



M1 (x1)



M3 (x1)



M7 (x2)



M8 (x1)

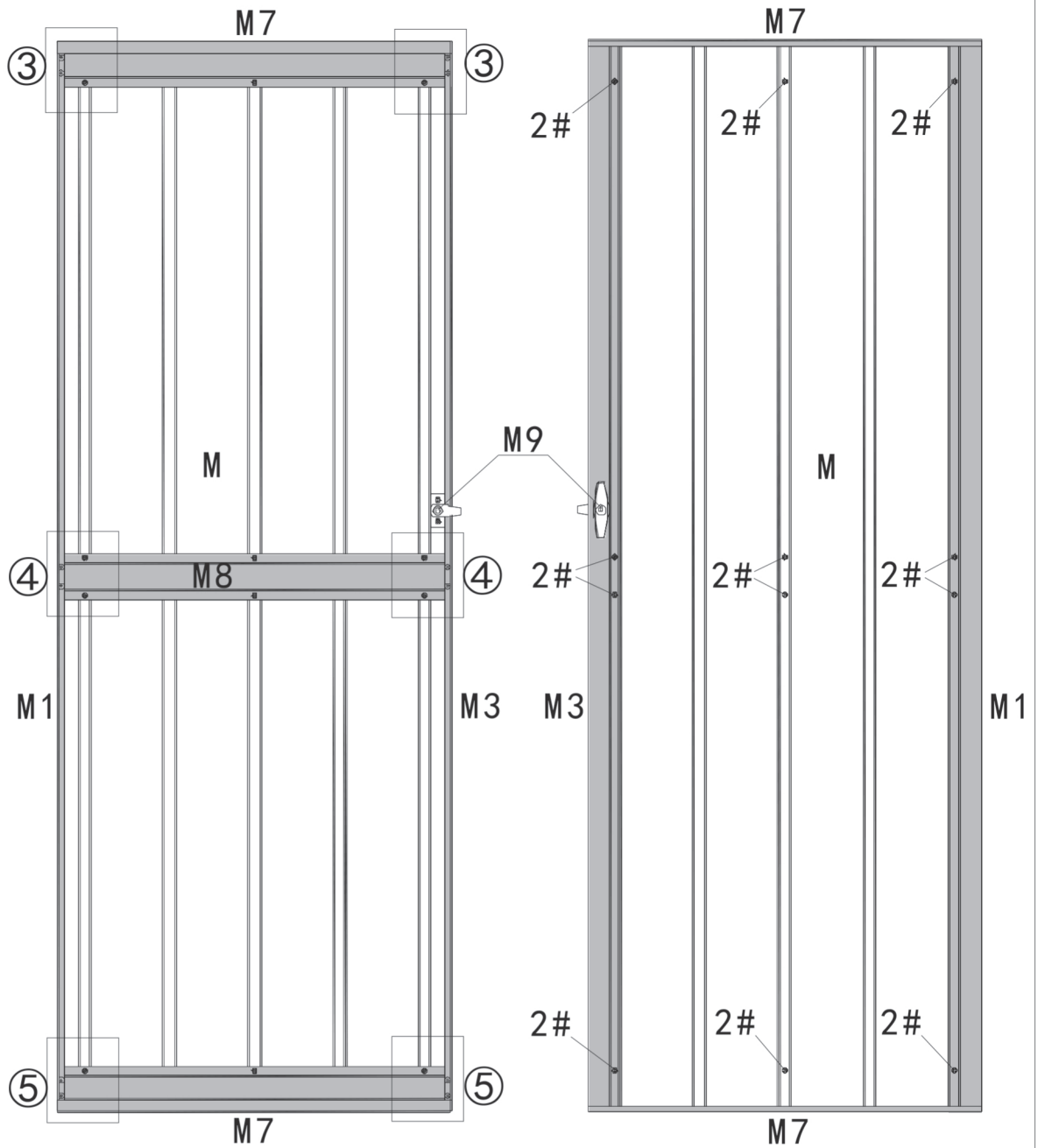
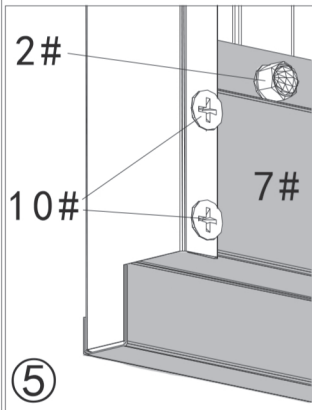
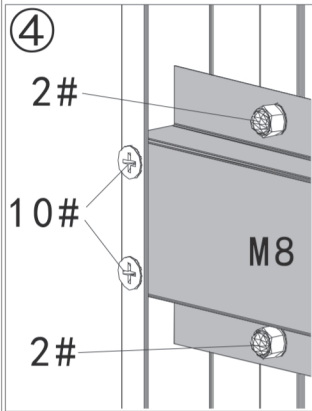
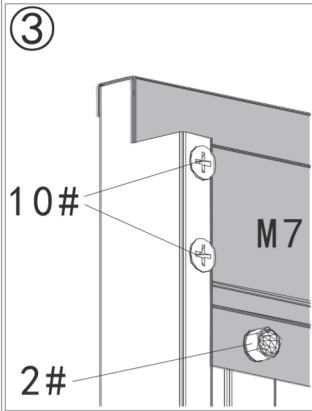
M9 (x1)

M10 (x1)

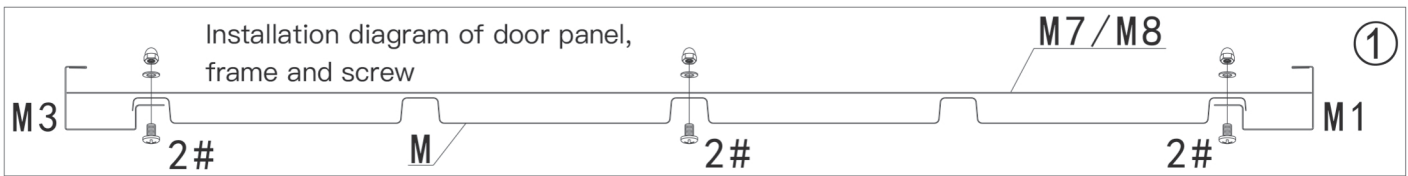
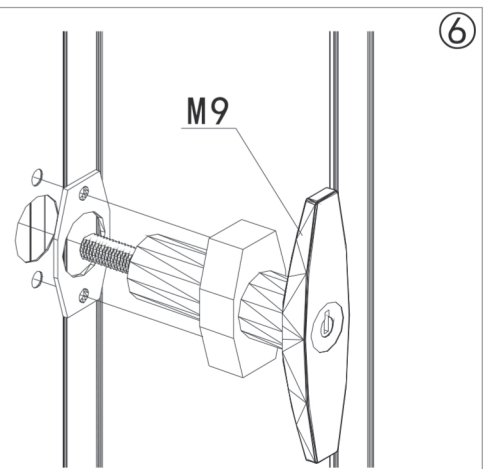
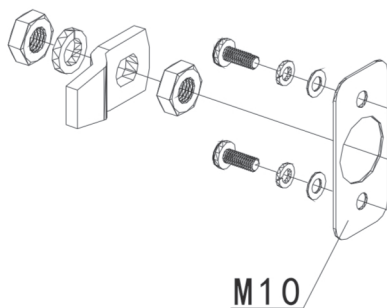
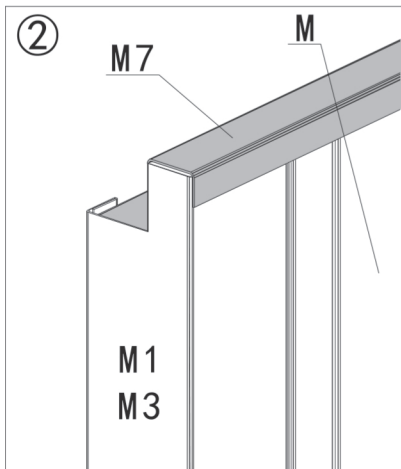
2# (x12)



10# (x12)

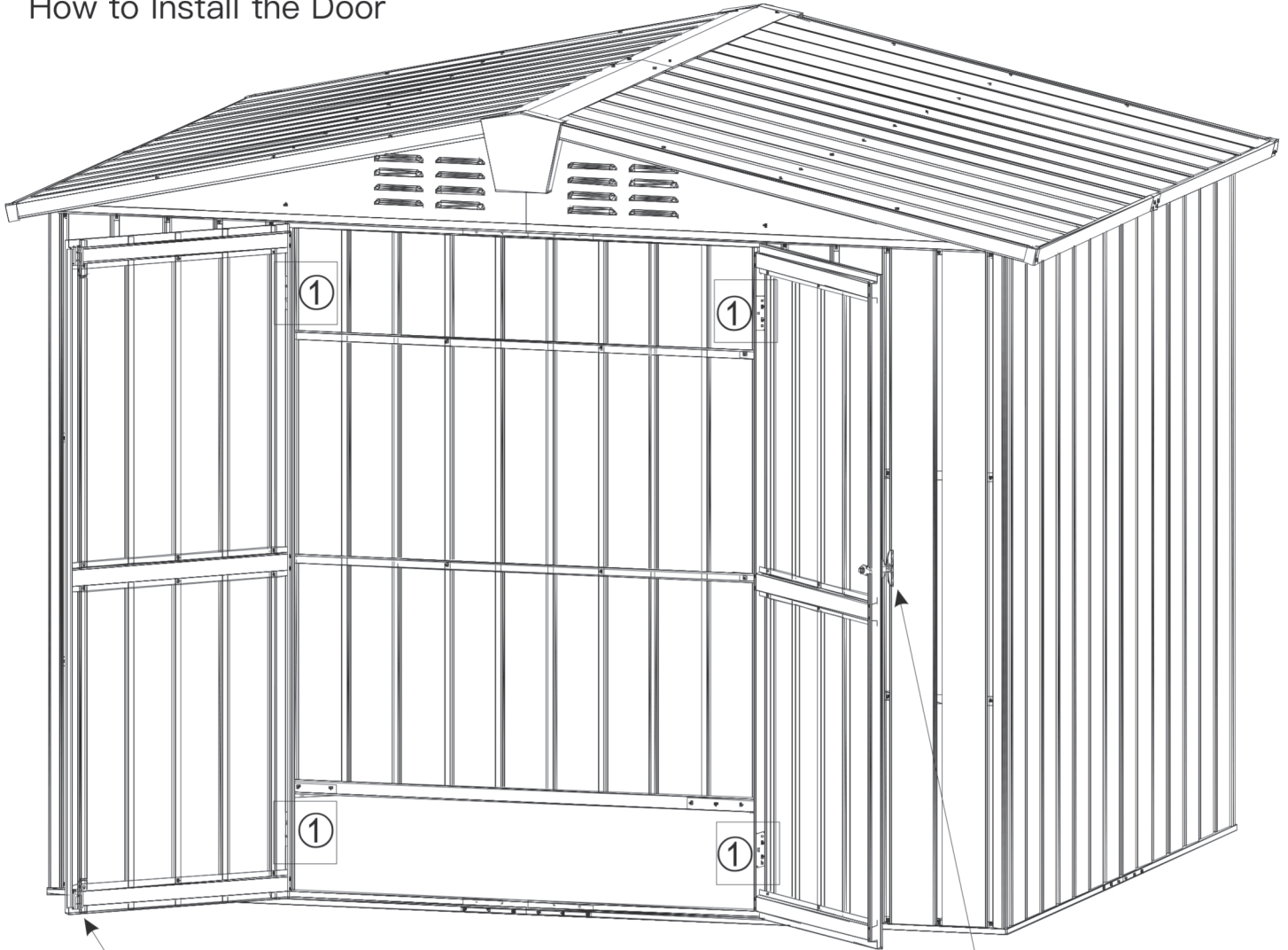


The back side of the right door The front side of the right door



M-2

How to Install the Door

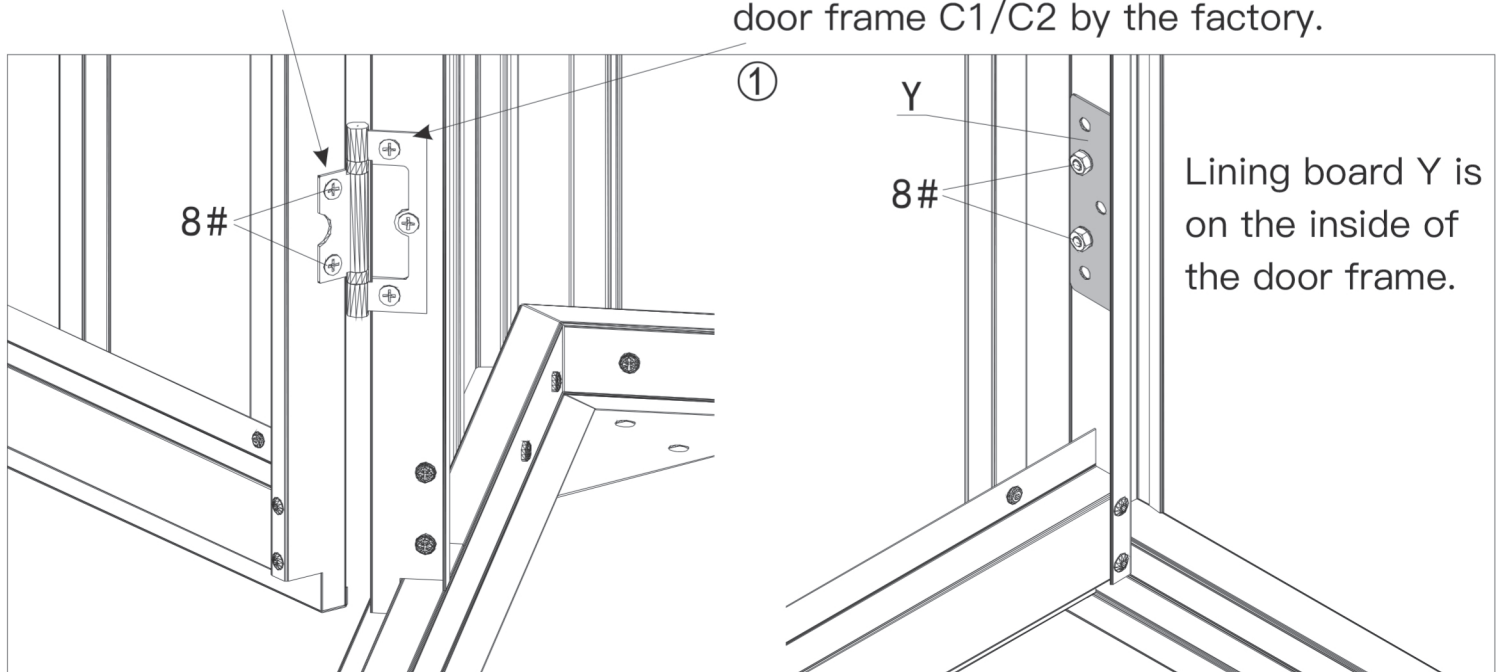


There is a bolt on the left door

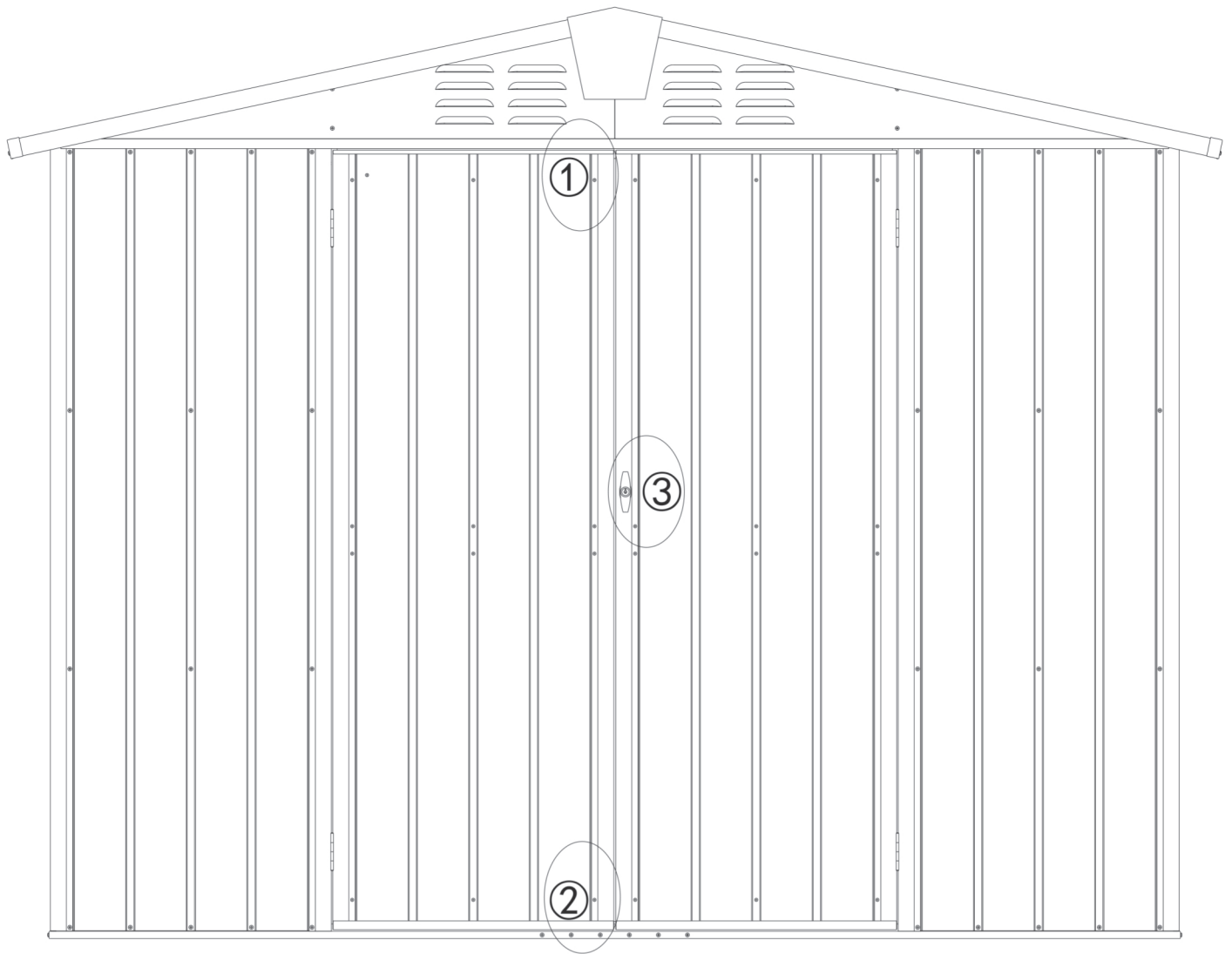
There is a handle on the right door

This section is installed by the user.

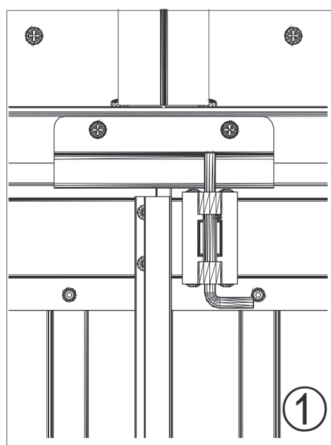
The hinge has been pre-installed on the door frame C1/C2 by the factory.



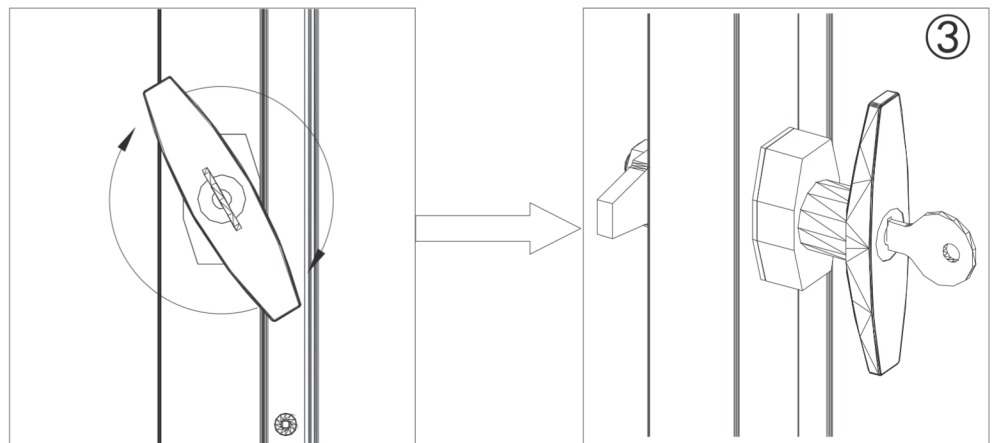
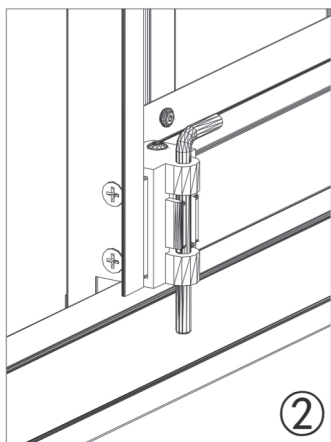
Lining board Y is on the inside of the door frame.



Insert the bolt and lock the left door.



Open the door: insert the key, rotate 180 counterclockwise, and rotate the handle counterclockwise to open the door.
Lock the door: close the door, insert the key, rotate the handle clockwise, then rotate the key 180 clockwise and pull the key out.



Insert the bolt and lock the left door.