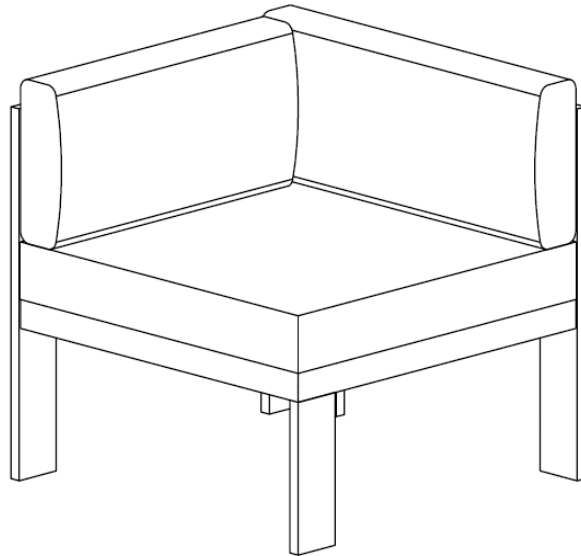


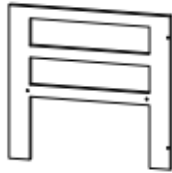
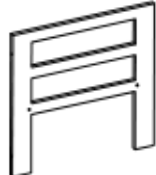

Assembly Instructions

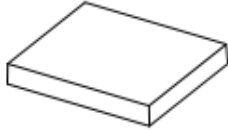

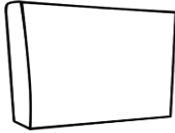
Caution : You must read this before you proceed

Corner


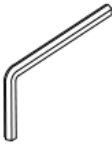



Part List

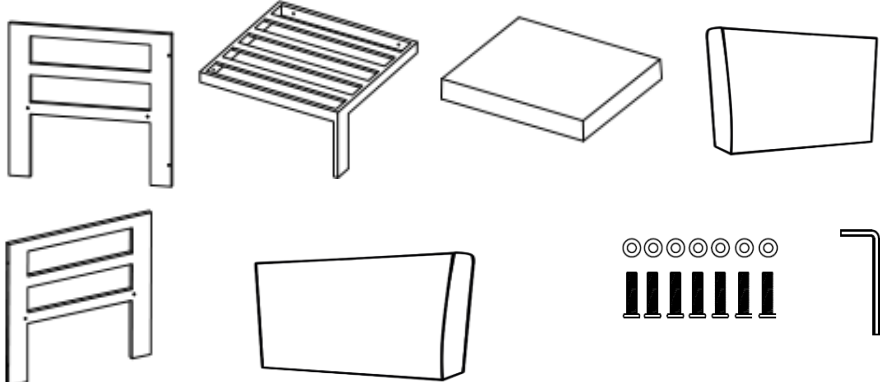
Label	Picture	Description	QTY
I		Left Backrest (with Legs)	1
J		Right Backrest (with Legs)	1
K		Seat Panel (with Leg)	1

L		Seat Cushion	1
M		Long Back Cushion	1
N		Short Back Cushion	1

Hardware

Label	Picture	Description	QTY
②		Bolt (M6*35mm)	7
③		Allen Key	1
⑤		Washer	7

Assembly Preparation

<p>Before Beginning Assembly:</p>	
-----------------------------------	--



- Read instructions, cover to cover-



- Have 2 adults on hand for assembly-



- Do not assemble on flooring or carpet-



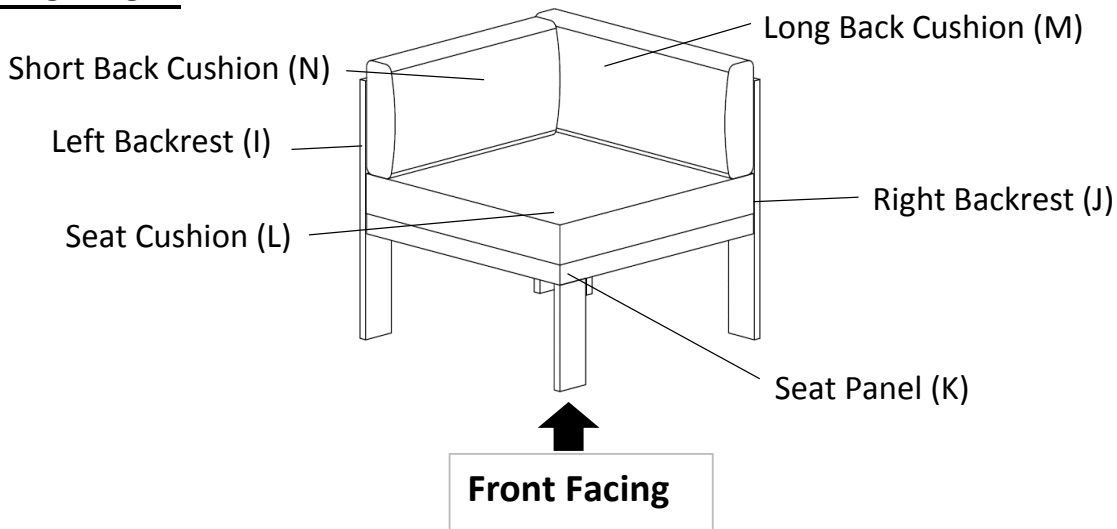
- Assemble on a clean non-marring surface (packing foam)-



- Save all packaging until finished-

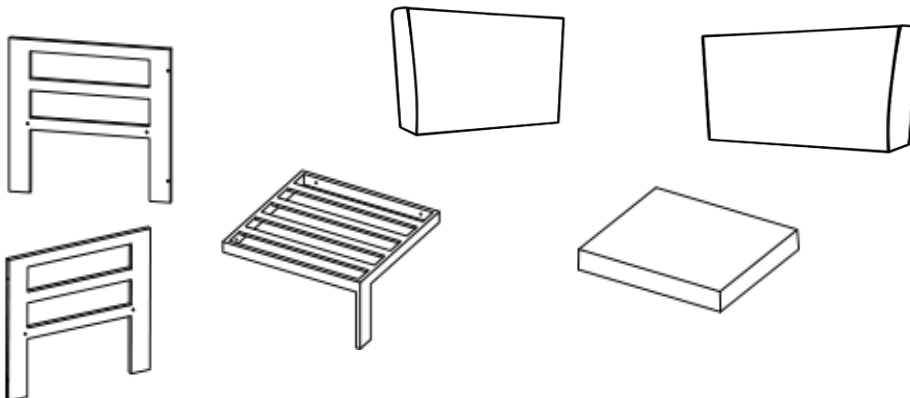
Assembly Steps

Overview



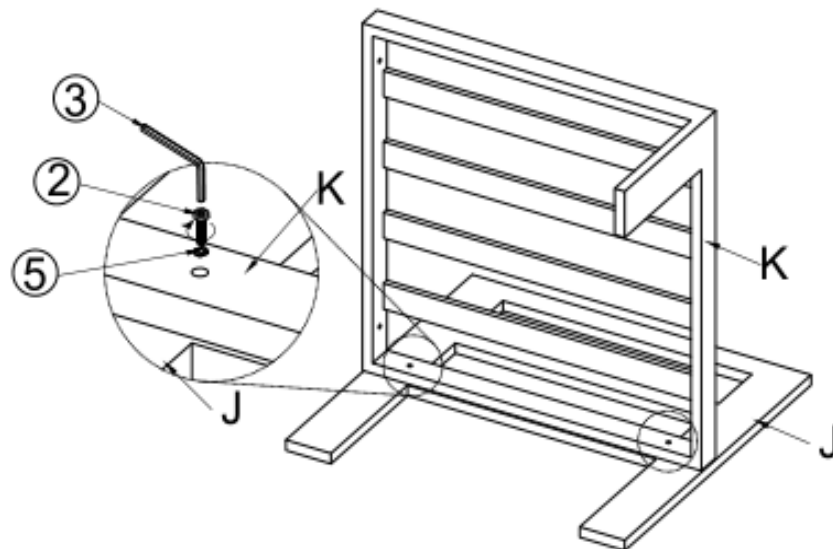
This Corner has multiple parts and may require up to 30 minutes to assemble. To give you an overview of the side Corner parts, the above picture is to help you put the various parts into perspective. Please read through the instructions below to familiarise yourself with the parts and steps before assembly.

Step 1



Unpack and place all parts on a clean, non-marring surface.

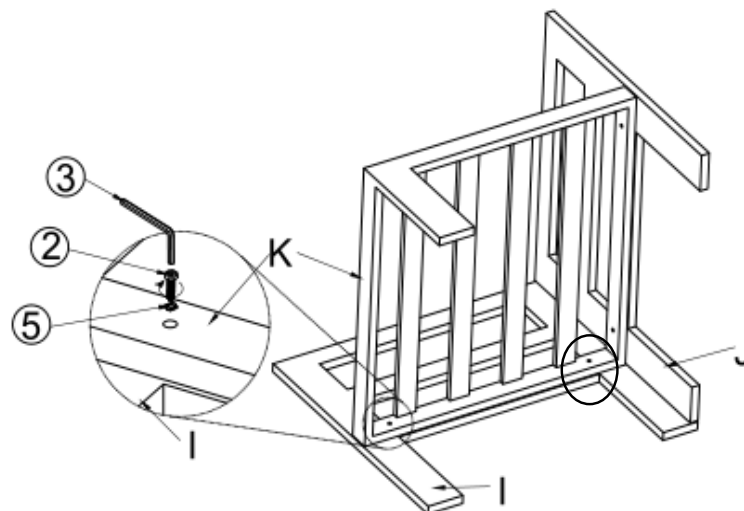
Step 2



Attach the Seat Panel(K) to Right Backrest(J) using Bolts(②) and Washers(⑤) with Allen Key(③).

Do not fully tighten the Bolts.

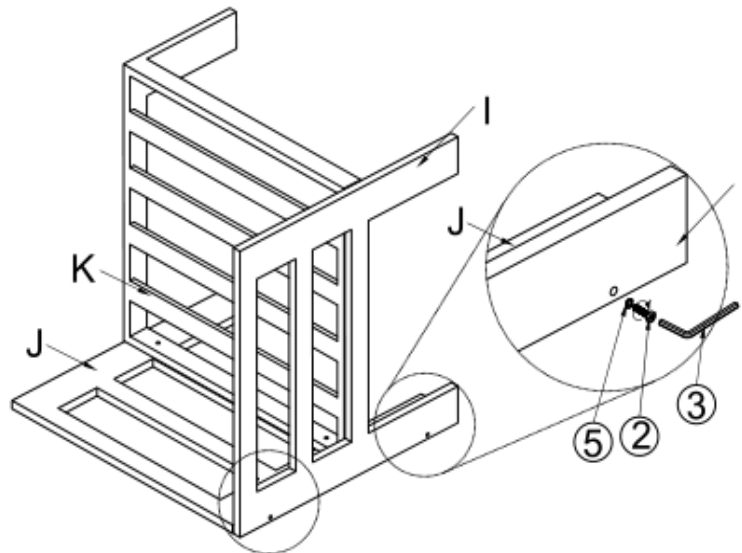
Step 3



Attach the Seat Panel(K) to Left Backrest(I) using Bolts(②) and Washers(⑤) with Allen Key(③).

Do not fully tighten the Bolts.

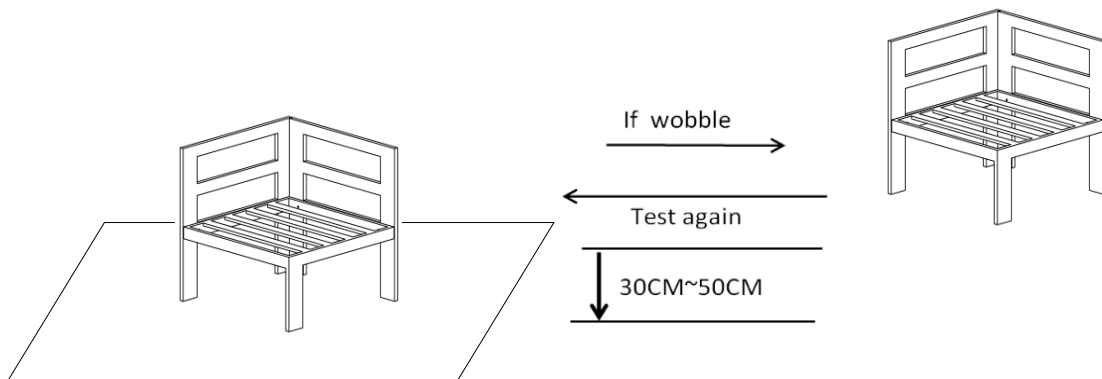
Step 4



Attach the Left Backrest(I) to Right Backrest(J) using Bolts(②) and Washers(⑤) with Allen Key(③).

Do not fully tighten the Bolts.

Step 5



Place the Corner on a **LEVEL SURFACE** to see if it wobbles.

If it wobbles, lift the Corner some 30cm to 50cm high from the ground.

Keep your feet and toes well away from the drop zone.

Drop the Corner freely and vertically with the four legs, hitting the ground, at the same time.

This Drop Test will help to ensure that all the Bolts and gaps all reach full alignment status.

Test again for evenness on a **LEVEL SURFACE**.

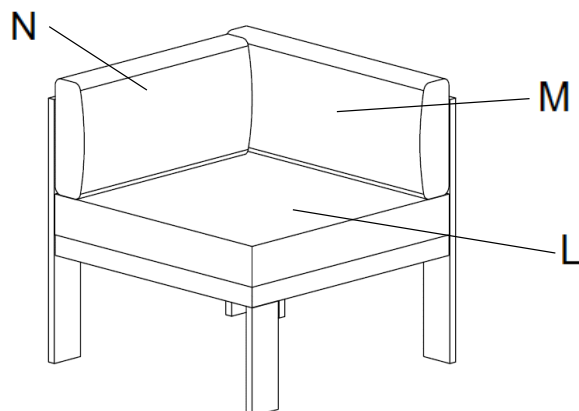
If no wobbles are found, proceed to tighten all the Bolts.

When tightening the Bolts, tighten sequentially.

DO NOT tighten any Bolt fully and then move on to the next one.

If there are still wobbles, loosen the Bolts and execute the same drop test.











Step 6



Place the Seat Cushion(L) and Back Cushions(M & N) on the Corner.
Your Corner is ready for use.

This Corner can only be used on a flat, level surface.

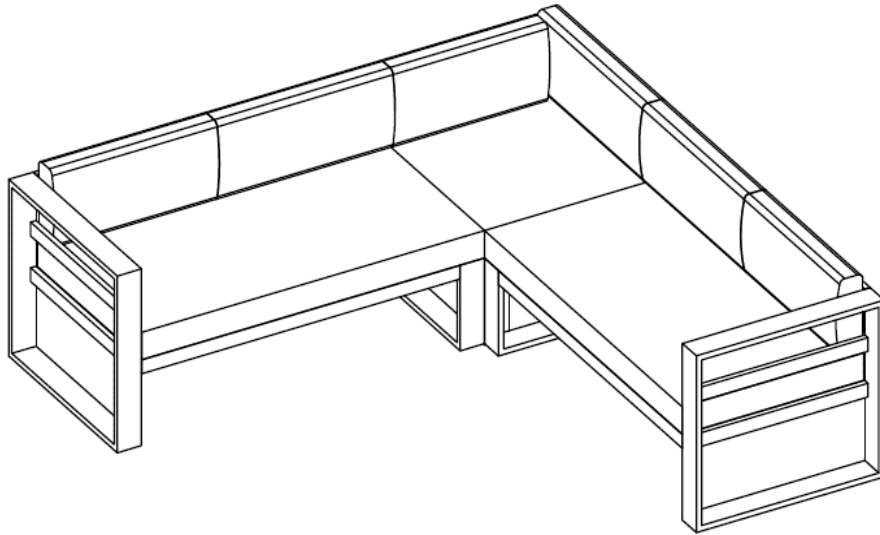
Care & Maintenance

-  ● Do not put hot items directly on furniture surface
 -  ● Do not clean furniture with harsh cleansers or polish.
 -  ● To obtain the longest lifespan of your outdoor products, minimizing exposure to direct sunlight is recommended.
 -  ● Children should not climb or jump on the furniture.
 -  ● Do not write on furniture without a padded barrier to protect the surface.
 -  ● To obtain the longest lifespan of your outdoor products, avoid extended and lengthy exposure to rain, snow, and direct sunshine. Whenever possible cover the product and /or place under patio or awnings.
 -  ● Not for commercial use. For residential use only .
 -  ● Stains may be removed with mild soap solution and damp cloth.
 -  ● Keep away from sources of ignition.
-
-  ● Dust and pick-up spills using a clean, non-colored, lint-free cloth.

Assembly Instructions



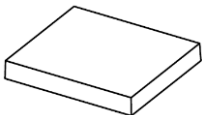

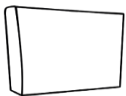
Caution: You must read this before you proceed

Sofa Set


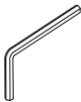



Part List

Label	Picture	Description	QTY
A1	A line drawing of the left loveseat component, showing a rectangular frame with a slatted seat and a backrest.	Left Loveseat	1
A2	A line drawing of the right loveseat component, showing a rectangular frame with a slatted seat and a backrest.	Right Loveseat	1
A3	A line drawing of the corner piece component, showing a square-shaped frame with a slatted seat and a backrest.	Corner	1

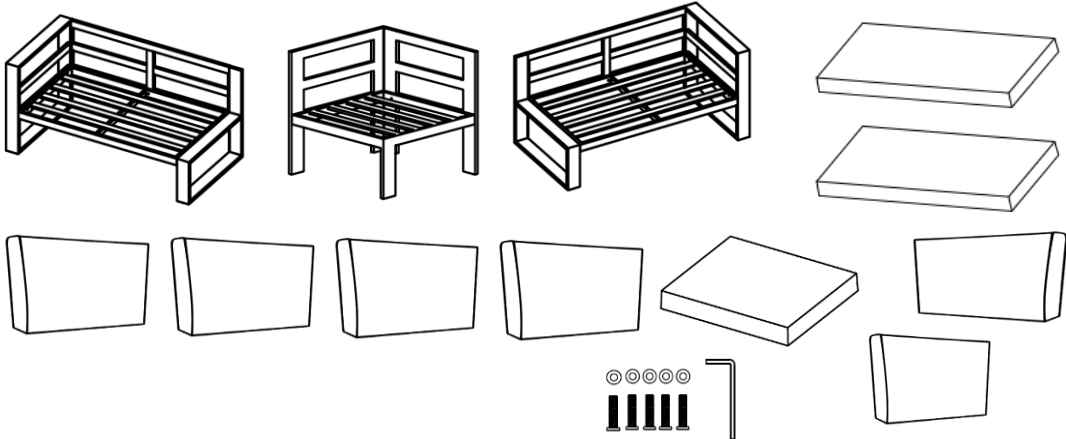
E		Seat Cushion (Loveseat)	2
F		Back Cushion (Loveseat)	4
L		Seat Cushion (Corner)	1
M		Long Back Cushion (Corner)	1
N		Short Back Cushion (Corner)	1

Hardware

Label	Picture	Description	QTY
②		Bolt (M6*35mm)	5
③		Allen Key	1
⑤		Washer	5

Assembly Preparation

Before Beginning Assembly:



The diagram illustrates the components for assembly preparation. It shows three different sofa configurations: a loveseat, a corner sofa, and another loveseat. Surrounding these are the cushions specified in the parts list: two rectangular seat cushions (E), four trapezoidal back cushions (F), one rectangular seat cushion (L), one long trapezoidal back cushion (M), and one short trapezoidal back cushion (N). At the bottom, the hardware is shown: five bolts, five washers, and one Allen key.



- Read instructions, cover to cover-



- Have 2 adults on hand for assembly-



- Do not assemble on flooring or carpet-



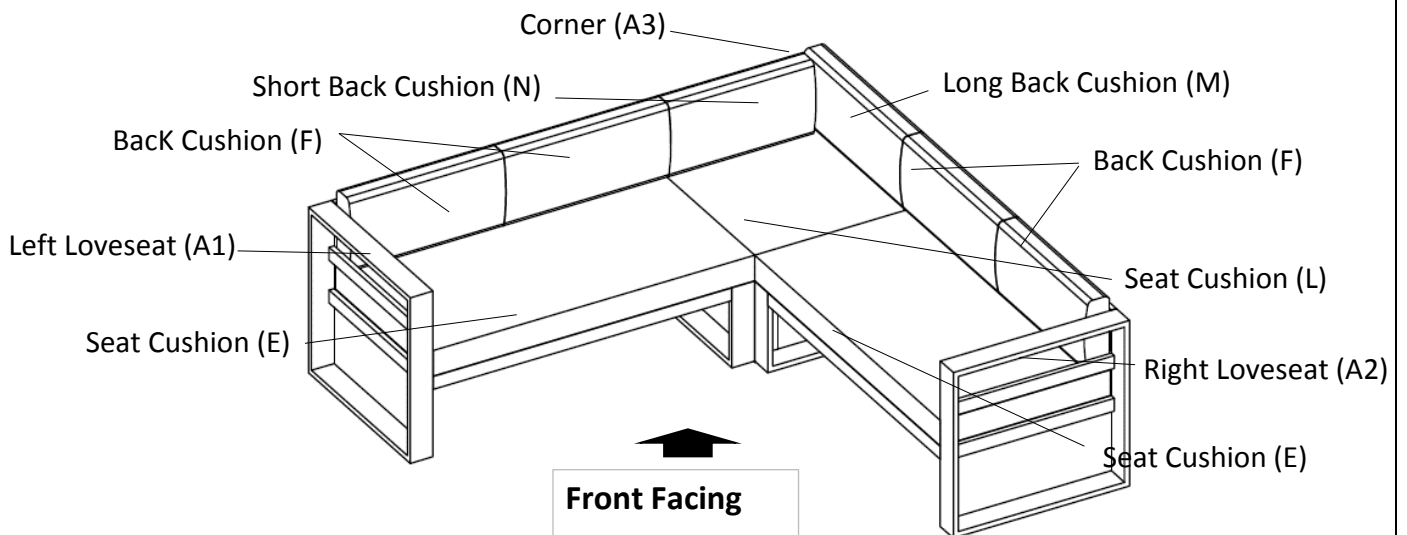
- Assemble on a clean non-marring surface (packing foam)-



- Save all packaging until finished-

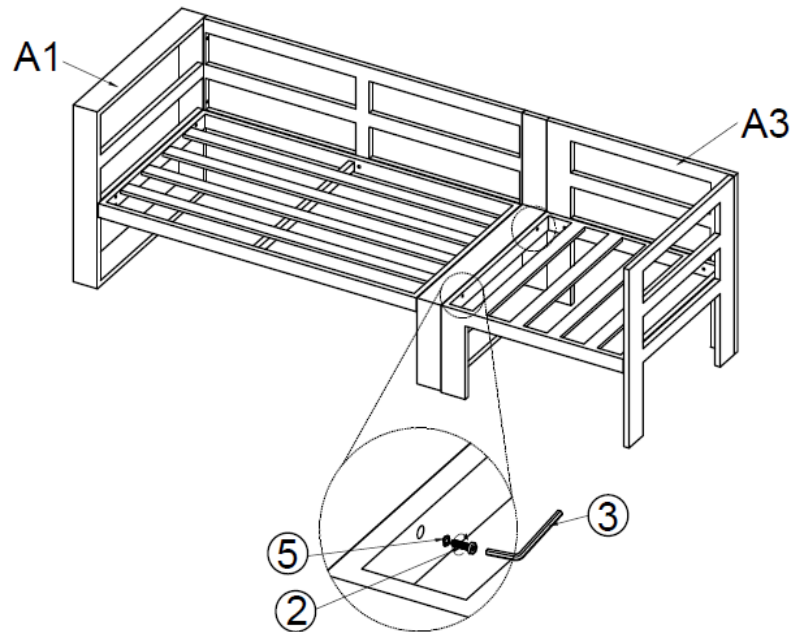
Assembly Steps

Overview



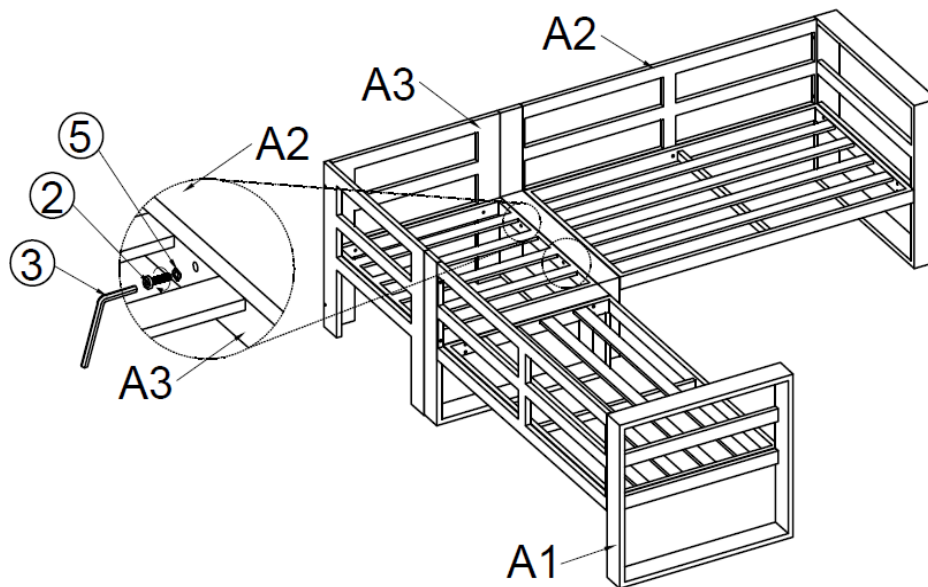
This Sofa Set has multiple parts and may require up to 30 minutes to assemble. To give you an overview of the Sofa Set parts, the above picture is to help you put the various parts into perspective. Please read through the instructions below to familiarise yourself with the parts and steps before assembly.

Step 1



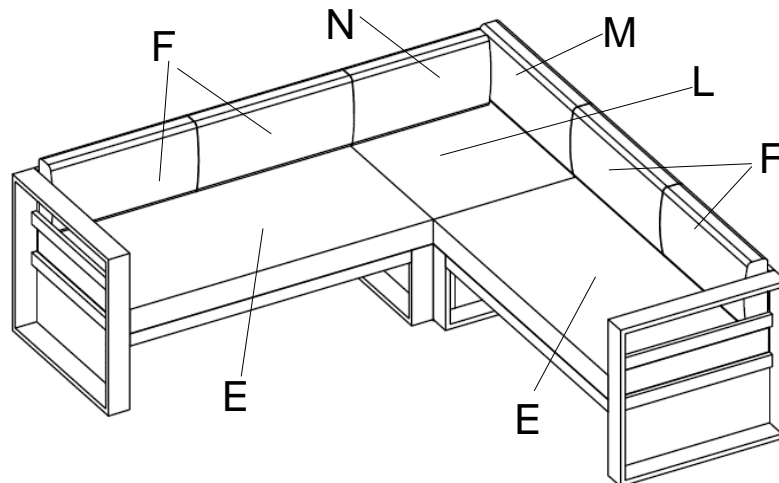
Attach Left Loveseat(A1) with Corner(A3) using Bolts(2) and Washers(5) with Allen Key(3).
Tighten all Bolts at all joints in a sequential manner.

Step 2



Attach Right Loveseat(A2) with Corner(A3) using Bolts(2) and Washers(5) with Allen Key(3).
Tighten all Bolts at all joints in a sequential manner.





















Step 3



Place the Seat Cushions(E & L) and Back Cushions(F & M & N) on the Sofa Set.
Your Sofa Set is ready for use.

This Sofa Set can only be used on a flat, level surface.

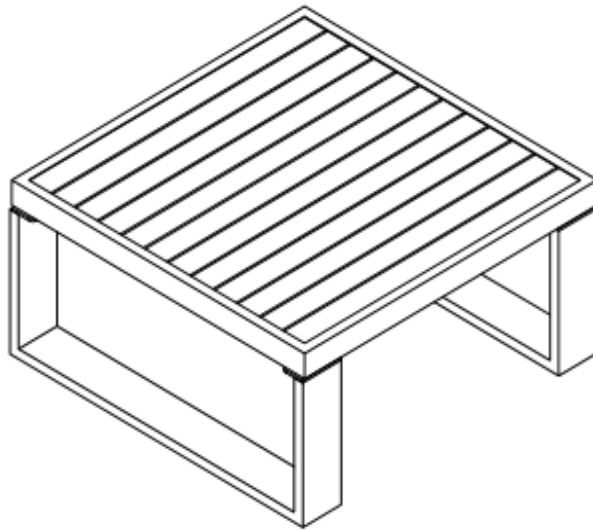
Care & Maintenance

-   ● Do not put hot items directly on furniture surface
 -   ● Do not clean furniture with harsh cleansers or polish.
 -   ● To obtain the longest lifespan of your outdoor products, minimizing exposure to direct sunlight is recommended.
 -   ● Children should not climb or jump on the furniture.
 -   ● Do not write on furniture without a padded barrier to protect the surface.
 -   ● To obtain the longest lifespan of your outdoor products, avoid extended and lengthy exposure to rain, snow, and direct sunshine. Whenever possible cover the product and /or place under patio or awnings.
 -   ● Not for commercial use. For residential use only .
 -   ● Stains may be removed with mild soap solution and damp cloth.
 -   ● Keep away from sources of ignition.
-
-   ● Dust and pick-up spills using a clean, non-colored, lint-free cloth.



Assembly Instructions

Caution : You must read this before you proceed


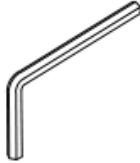

Coffee Table



Part List

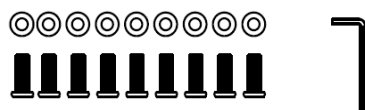
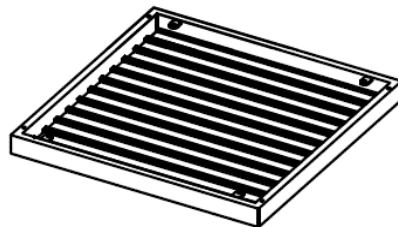
Label	Picture	Description	QTY
O		Table Top	1
P		Leg	2

Hardware

Label	Picture	Description	QTY
④		Bolt (M6*20mm)	9
③		Allen Key	1
⑤		Washer	9

Assembly Preparation

Before Beginning Assembly:



- Read instructions, cover to cover-



- Have 2 adults on hand for assembly-



- Do not assemble on flooring or carpet-



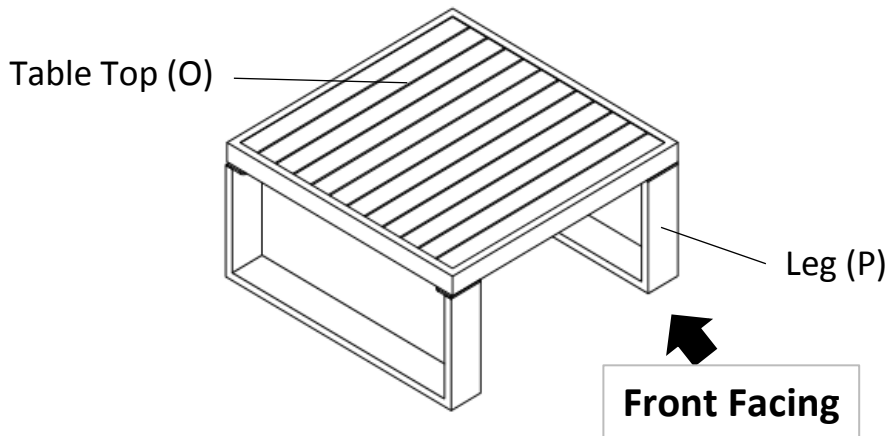
- Assemble on a clean non-marring surface (packing foam)-



- Save all packaging until finished-

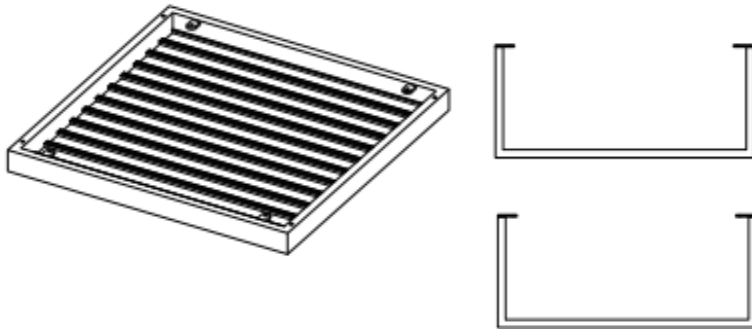
Assembly Steps

Overview



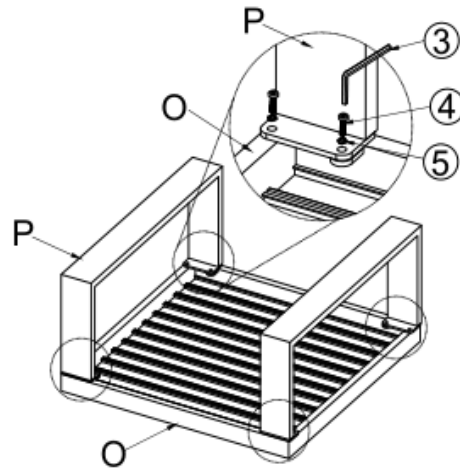
This Coffee Table has multiple parts and may require up to 30 minutes to assemble. To give you an overview of the Coffee Table parts, the above picture is to help you put the various parts into perspective. Please read through the instructions below to familiarise yourself with the parts and steps before assembly.

Step 1



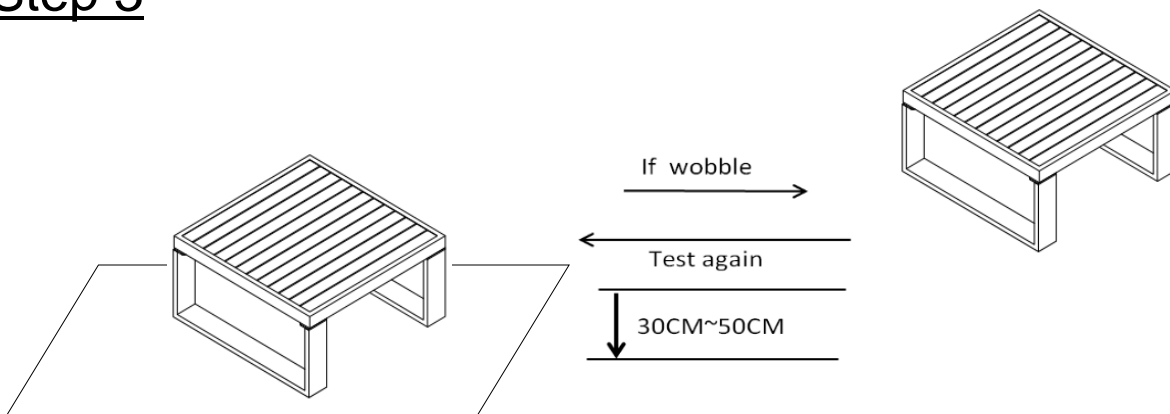
Unpack and place all parts on a clean, non-marring surface.

Step 2



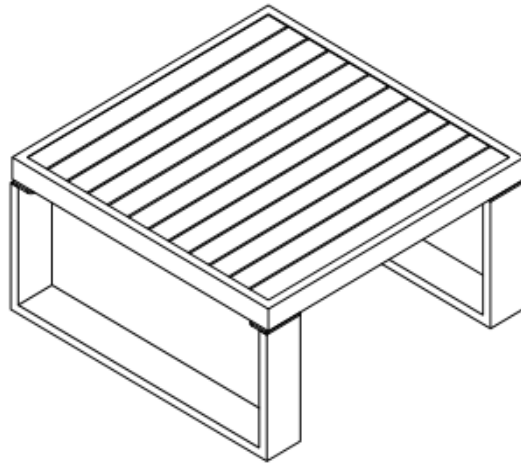
Place the Table Top facedown onto a clean, non-marring surface.
Attach Legs(P) to Table Top(O) using Bolts (④) and Washer (⑤) with Allen Key(③).
Do not fully tighten the Bolts.

Step 3



Place the Coffee Table on a **LEVEL SURFACE** to see if it wobbles.
If it wobbles, lift the Coffee Table some 30cm to 50cm high from the ground.
Keep your feet and toes well away from the drop zone.
Drop the Coffee Table freely and vertically with the four legs, hitting the ground, at the same time.
This Drop Test will help to ensure that all the Bolts and gaps all reach full alignment status.
Test again for evenness on a **LEVEL SURFACE**.
If no wobbles are found, proceed to tighten all the Bolts.
When tightening the Bolts, tighten sequentially.
DO NOT tighten any Bolt fully and then move on to the next one.
If there are still wobbles, loosen the Bolts and execute the same drop test.





















Step 4



Your Coffee Table is ready for use.

This Coffee Table can only be used on a flat, level surface.

Care & Maintenance

-   ● Do not put hot items directly on furniture surface
 -   ● Do not clean furniture with harsh cleansers or polish.
 -   ● To obtain the longest lifespan of your outdoor products, minimizing exposure to direct sunlight is recommended.
 -   ● Children should not climb or jump on the furniture.
 -   ● Do not write on furniture without a padded barrier to protect the surface.
 -   ● To obtain the longest lifespan of your outdoor products, avoid extended and lengthy exposure to rain, snow, and direct sunshine. Whenever possible cover the product and /or place under patio or awnings.
 -   ● Not for commercial use. For residential use only .
 -   ● Stains may be removed with mild soap solution and damp cloth.
 -   ● Keep away from sources of ignition.
-
-   ● Dust and pick-up spills using a clean, non-colored, lint-free cloth.