

NOTICE

- * Please make sure that you have all parts indicated and they are in good condition before you begin assembly of this item. Refer to part list and hardware list below for guidance.
- * This item should be assembled on a soft surface to prevent scratching the finish during assembly.
- * This item may require periodic tightening.
- * If you are having difficulty, our friendly Customer Care team is always here to help.







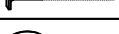





PREPARATION

- * Before beginning assembly of product, make sure all parts are present. Compare parts with part contents list and hardware contents list.
- * If any part is missing or damaged, do not attempt to assemble the product.
- * Estimated Assembly Time: 30 minutes.
- * Tools Required for Assembly : Allen Key (included), Phillips screwdriver (not included)

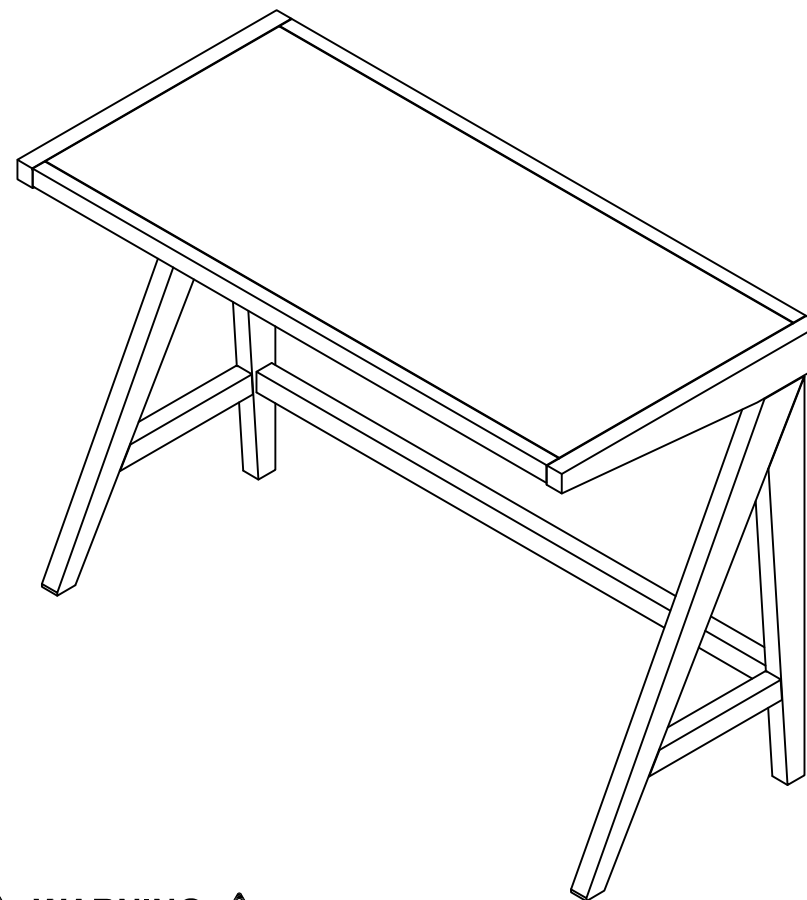
CARE AND MAINTENANCE

Adhesive felt pads should always be applied to areas of furniture which make direct contact with flooring, said application will prevent damage to the furniture and or surfaces on which the furniture lies. Objects placed on articles of furniture should rest on non abrasive material as to prevent damage to the wood finish. Wipe up spills immediately and avoid common hazards such as hot dishes, harsh solvents and abrasives. Cleaning should be done with a soft lint free cotton cloth dampened with water or furniture polish.

Part List and Hardware List

PIECE	DESCRIPTION	PICTURE	QUANTITY
A	TOP PANEL		1X
B	LEFT LEG ASSEMBLY		1X
C	RIGHT LEG ASSEMBLY		1X
D	UPPER STRETCHER		1X
E	LOWER STRETCHER		1X
HW1	BOLT 6 x 1 x 60 MM		8X
HW2	SPRING WASHER		8X
HW3	FLAT WASHER		8X
HW4	ALLEN KEY		1X
HW5	CAMBOLT		8X
HW6	CAMLOCK		8X
HW7	WOODEN DOWEL		6X

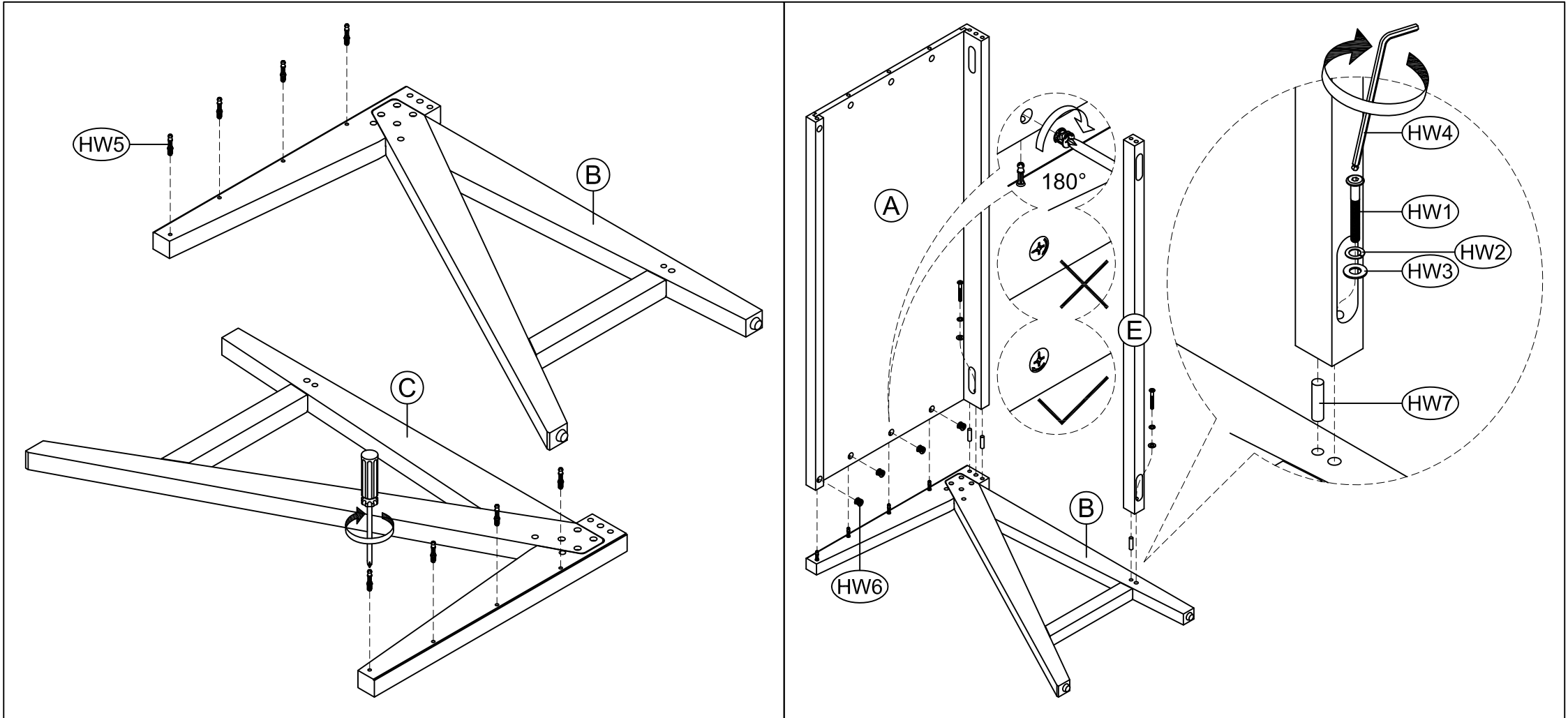
Product Dimensions: 42" W x 20" D x 29.5" H



WEIGHT CAPACITY: TOP: 100 LBS
WARNING: DO NOT STAND ON THE DESK
WARNING: DO NOT OVER TORQUE BOLTS

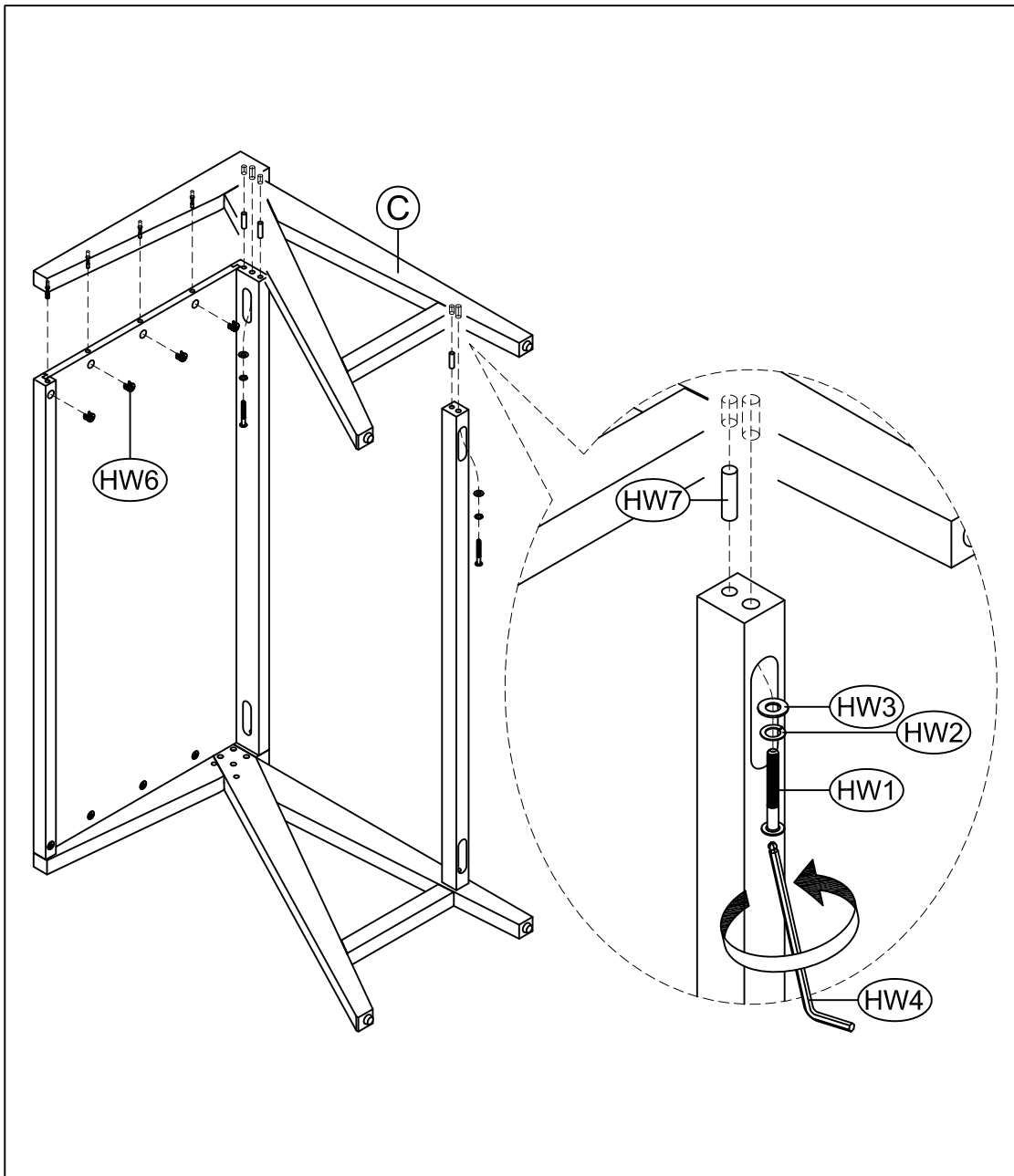
PREPARATION

- * Before beginning assembly of product, make sure all parts are present. Compare parts with part contents list and hardware contents list.
- * If any part is missing or damaged, do not attempt to assemble the product.
- * Estimated Assembly Time: 30 minutes.
- * Tools Required for Assembly : Allen Key (included), Phillips screwdriver (not included)
- * If you are having difficulty, our friendly Customer Care team is always here to help.

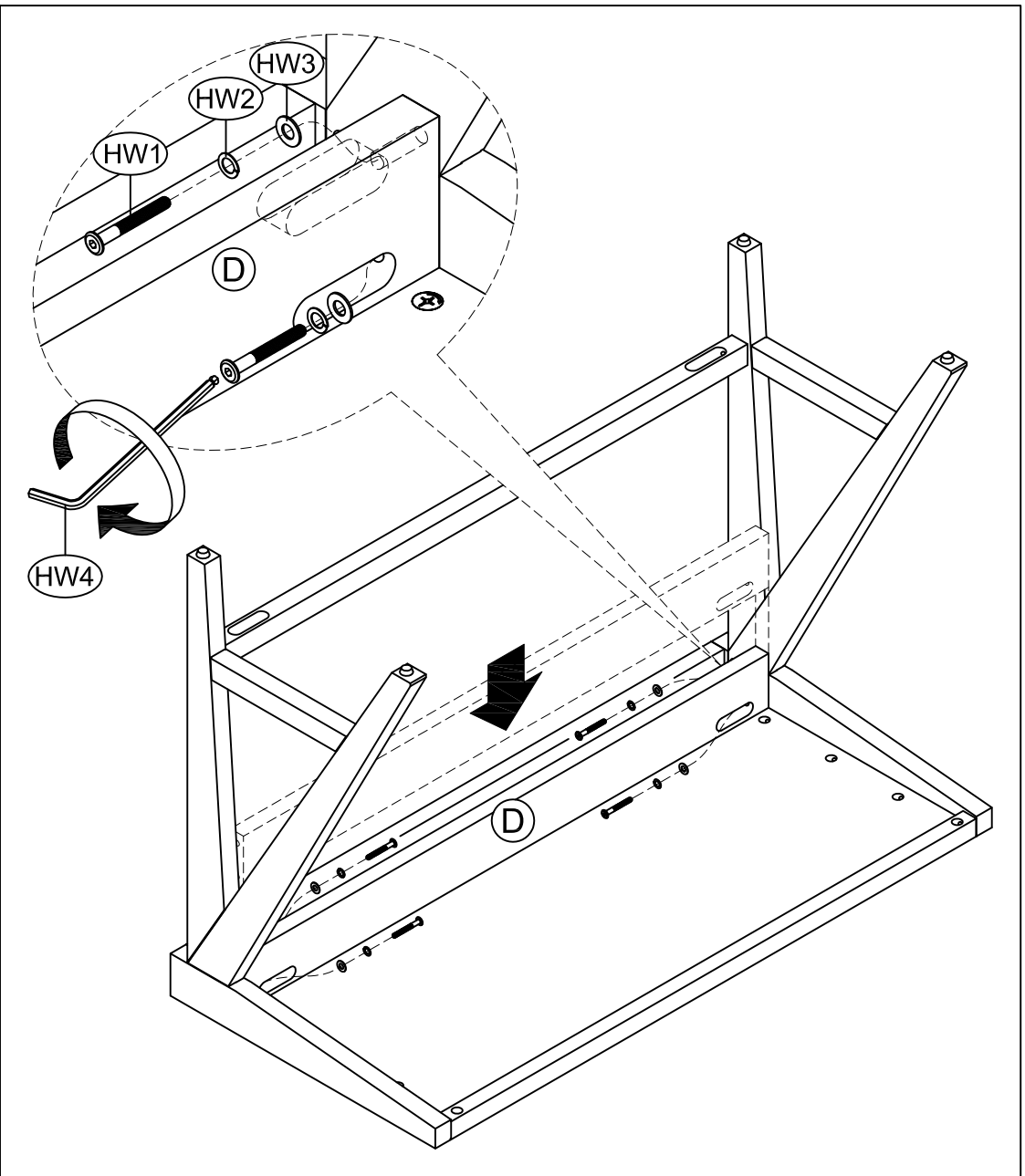


STEP 1 INSERT CAMBOLTS (HW5) INTO PRE-DRILLED HOLES IN LEFT AND RIGHT LEG ASSEMBLIES (B AND C), THEN TIGHTEN. SCREW-IN CAMBOLTS (HW5) MUST BE SCREWED DOWN FLUSH.

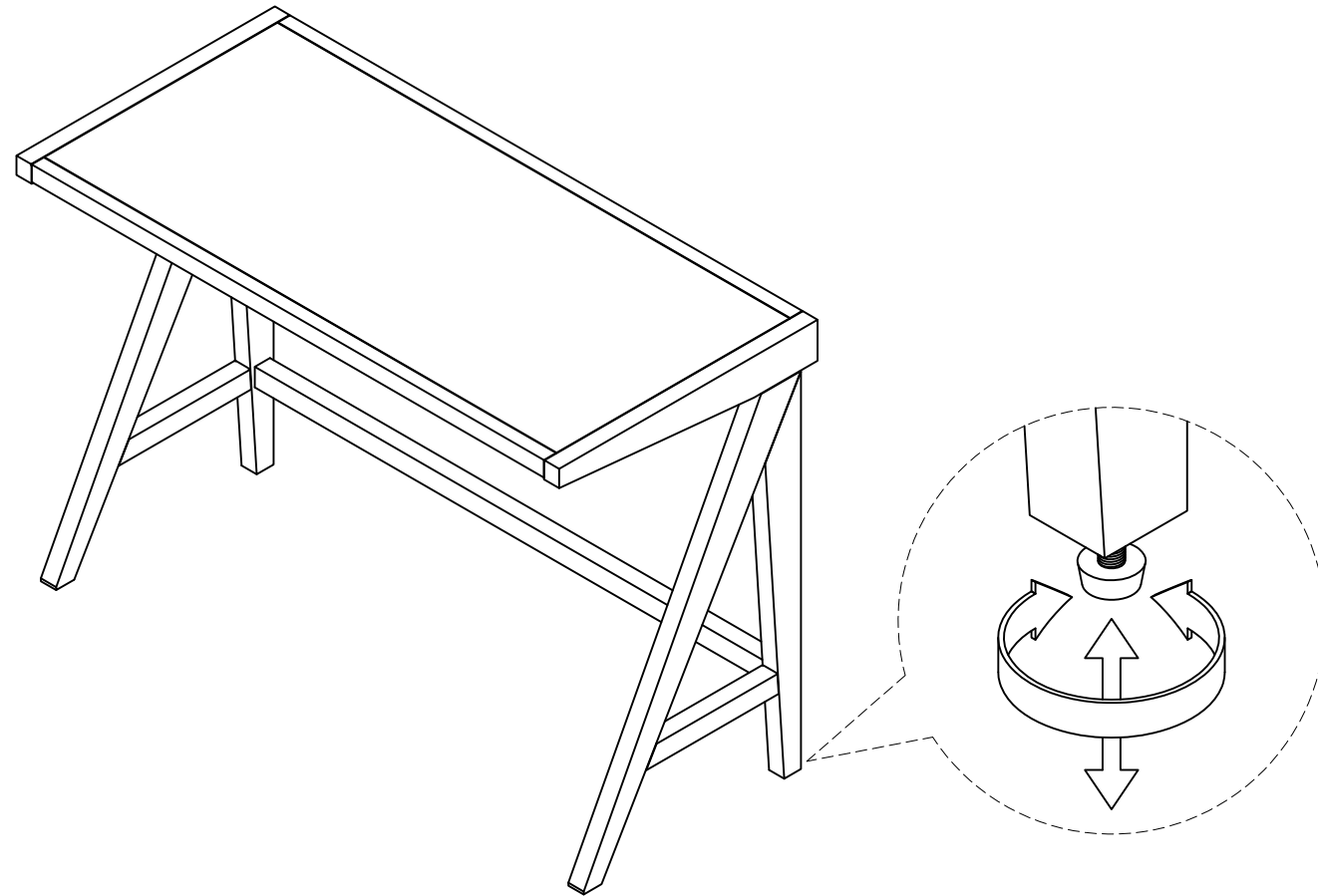
STEP 2 ATTACH TOP PANEL (A) TO LEFT LEG ASSEMBLY (B) USING BOLT 60 MM (HW1), SPRING WASHER (HW2), FLAT WASHER (HW3), CAMLOCKS (HW6) AND WOODEN DOWELS (HW7). ATTACH LOWER STRETCHER (E) TO LEFT LEG ASSEMBLY (B) USING BOLT 60 MM (HW1), SPRING WASHER (HW2), FLAT WASHER (HW3) AND WOODEN DOWEL (HW7). TIGHTEN BOLTS USING ALLEN KEY (HW4).



STEP 3 ATTACH RIGHT LEG ASSEMBLY (C) TO UNIT USING BOLT 60 MM (HW1), SPRING WASHERS (HW2), FLAT WASHERS (HW3), CAMLOCKS (HW6) AND WOODEN DOWELS (HW7). TIGHTEN BOLTS USING ALLEN KEY (HW4).



STEP 4 ATTACH UPPER STRETCHER (D) TO UNIT USING BOLT 60 MM (HW1), SPRING WASHERS (HW2) AND FLAT WASHERS (HW3). TIGHTEN BOLTS USING ALLEN KEY (HW4).



STEP 5 ADJUST THE ADJUSTER BOLT THAT HAS ALREADY ASSEMBLED TO THE LEGS TO STABILIZE YOUR UNIT