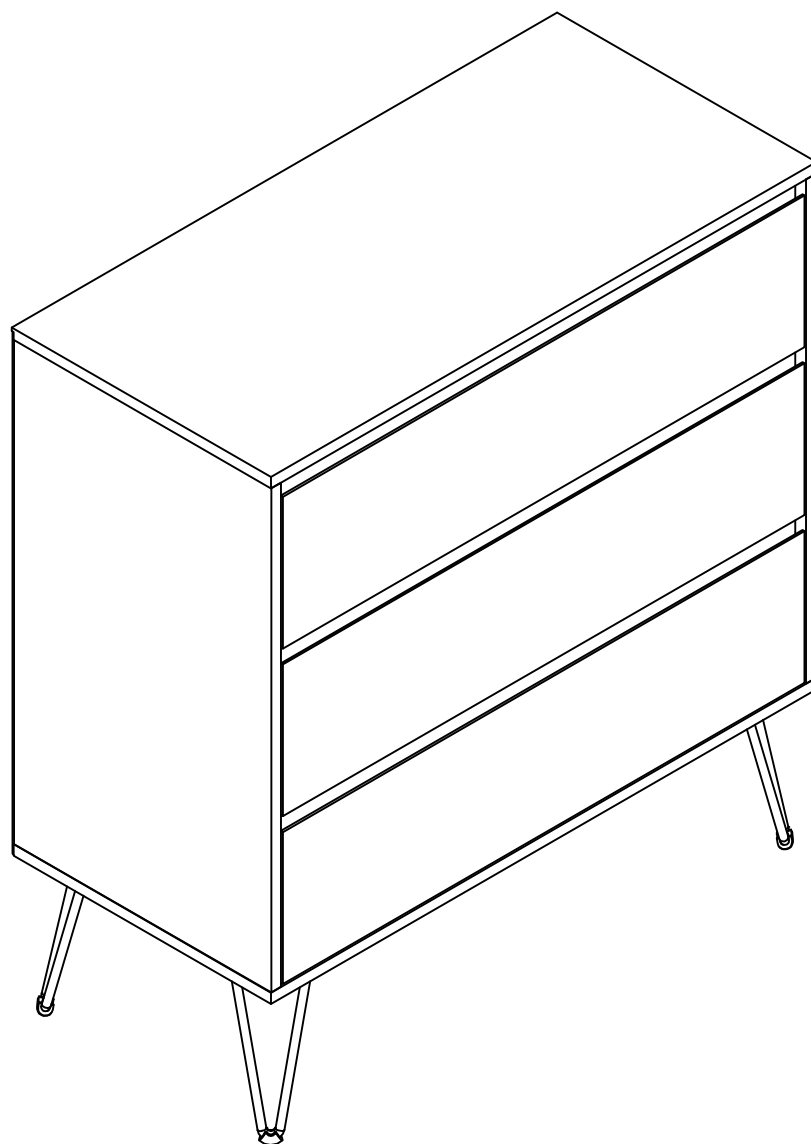


ASSEMBLY INSTRUCTION

3 DRAWER CHEST 2 PERSON ASSEMBLY

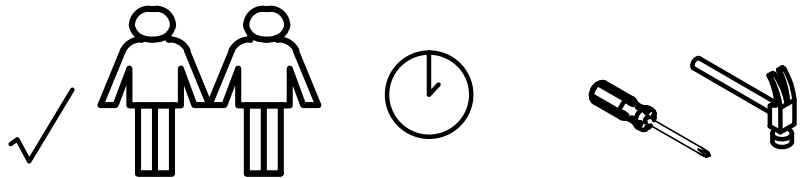
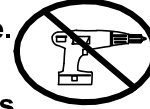
Please check all fittings & panels are
in the box prior to assembly



Safety and Care Advice

IMPORTANT - Please Read This Instruction Carefully Before Assembly.

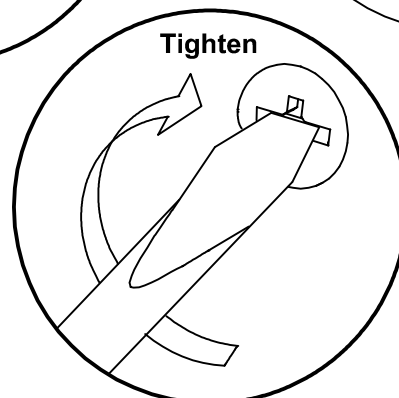
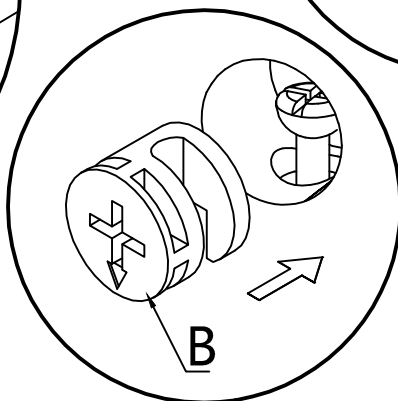
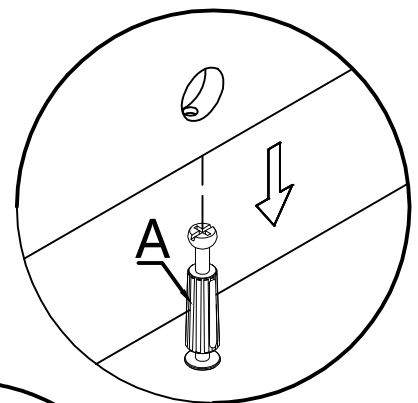
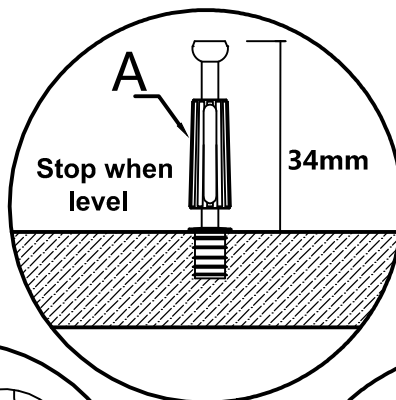
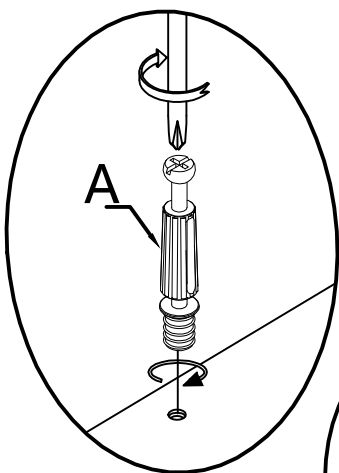
- Check you have all the components and tools listed on page 3.
- Remove all settings from the plastic bags and separate them into their groups.
- Keep children and animals away from the work area, small parts could choke if swallowed.
- Make sure you have enough space to layout the parts before assembly.
- Do not stand or put weight on the product, this could cause damage.
- Assemble the item as close to it's intended position (in the same room) as possible.
- Assemble on a soft level surface to avoid damaging the unit.
- Parts of the assembly will be easier with 2 people.
- Do not use power drill/drivers for assembly, or the unit may be damaged.
- Dispose of all packaging carefully and responsibly.



CARE and MAINTENANCE

- Only clean using a damp cloth and mild detergent, do not use bleach or abrasive cleaners.
- From time to time check that there are no loose screws on this unit.
- This product should not be discarded with household waste. Take to your local authority waste disposal center.

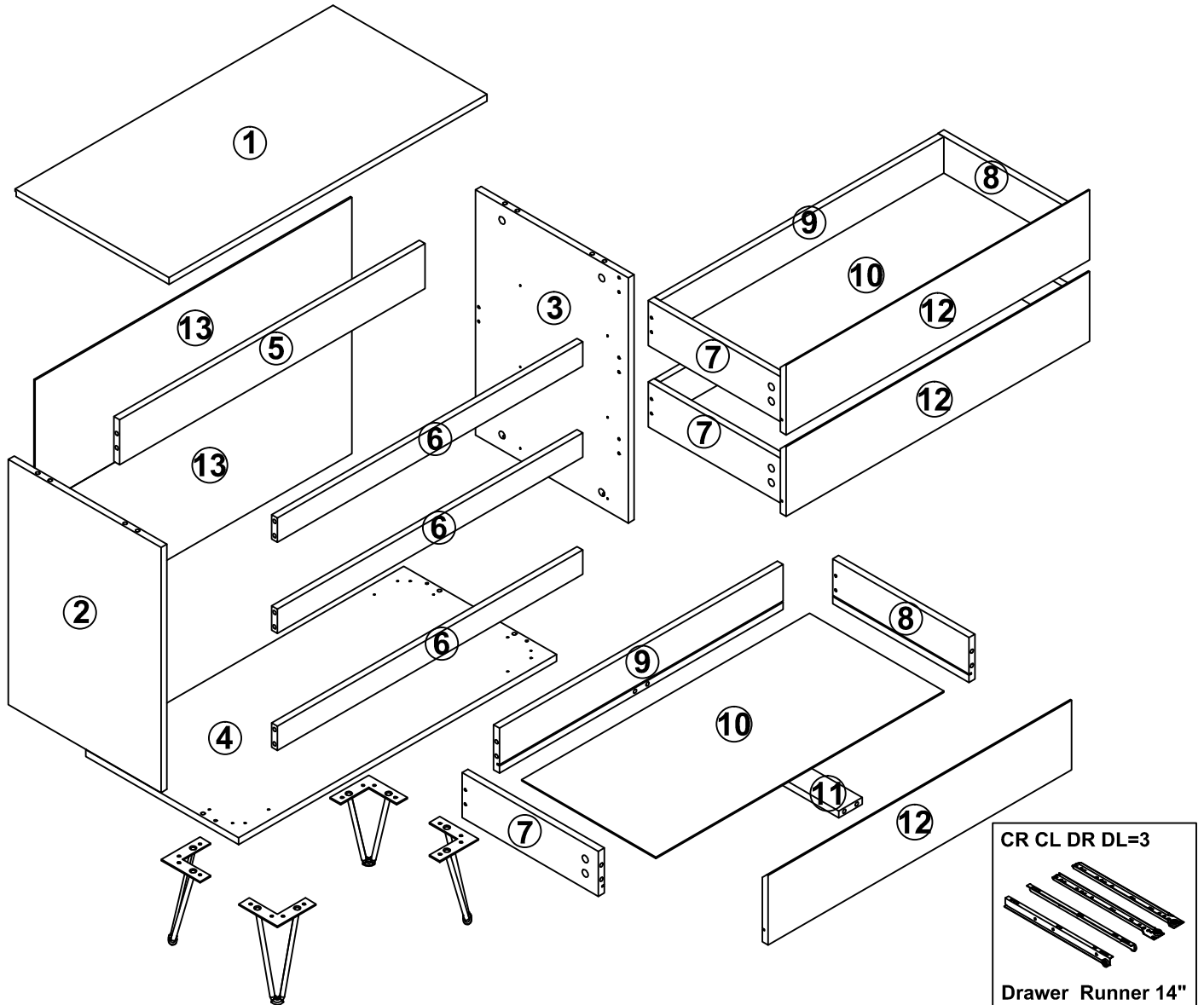
General Hints & Tips

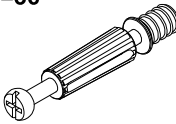
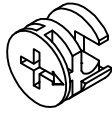
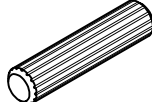
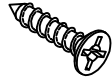




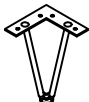
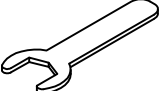
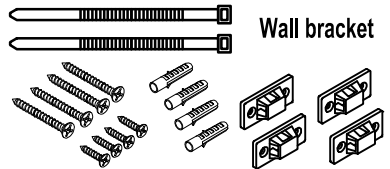


Components and Tools

IMPORTANT - Please Check If You Have All The Components and Tools.

Note: The quantities below are the correct amount to complete the assembly. In some cases more pieces may be supplied than are required.

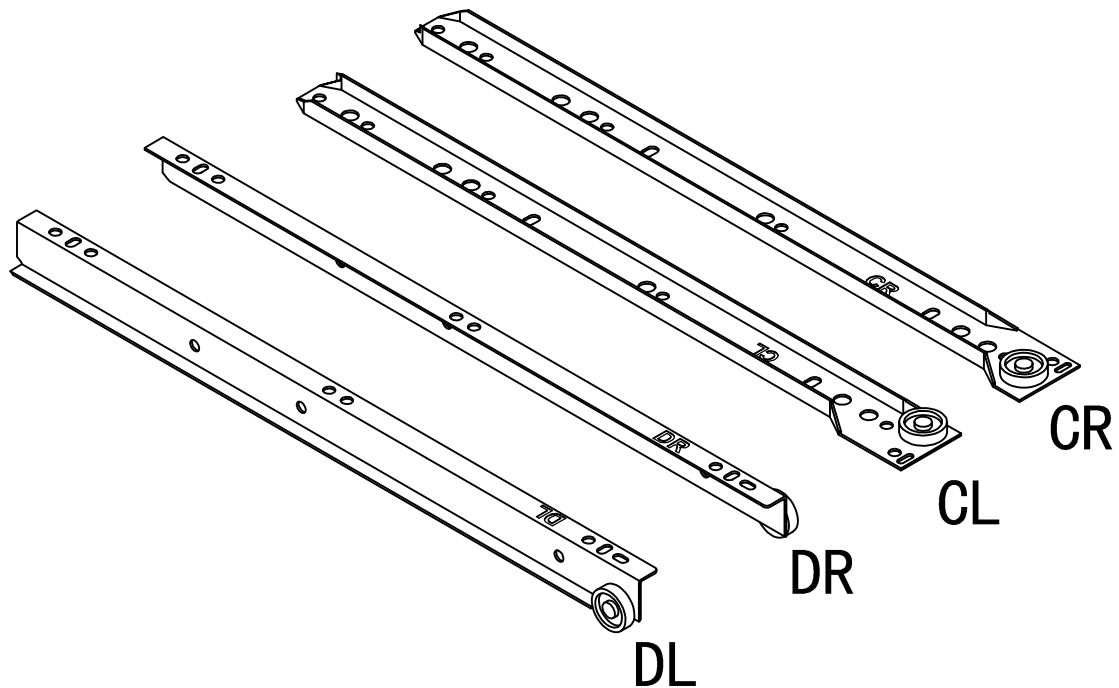


<p>A=36</p>  <p>Peg M6*34mm</p>	<p>B=36</p>  <p>Lock M15*12mm</p>	<p>C=20</p>  <p>Dowel M6*30mm</p>	<p>D=24</p>  <p>Screw M3.5*14mm</p>	<p>E=12</p>  <p>Screw M4*38</p>	<p>F=16</p>  <p>Screw Cap</p>
<p>G=16</p>  <p>Pin</p>	<p>H=16</p>  <p>Screw</p>	<p>I=4</p>  <p>Plastic Feet 150H</p>	<p>J=1</p>  <p>Wrench</p>	<p>P=1</p>  <p>Wall bracket</p>	

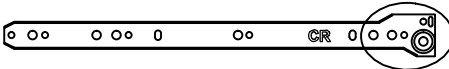
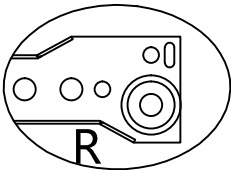
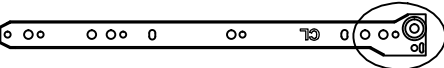
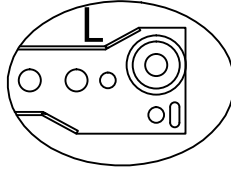
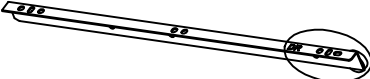
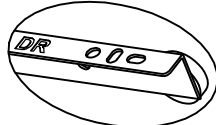
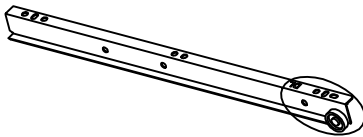
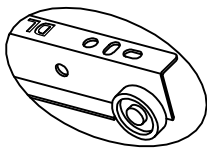
Drawer Runner Instruction

IMPORTANT - Please Read It Carefully.

NOTE: 1 PAIR DRAWER RUNNER INCLUDES 4 PIECES.



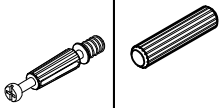
Fittings (not to scale)

NO.	DESCRIPTION	QTY		
CR	Outer Drawer Runner - Right	3PCS		
CL	Outer Drawer Runner - Left	3PCS		
DR	Inner Drawer Runner - Right	3PCS		
DL	Inner Drawer Runner - Left	3PCS		

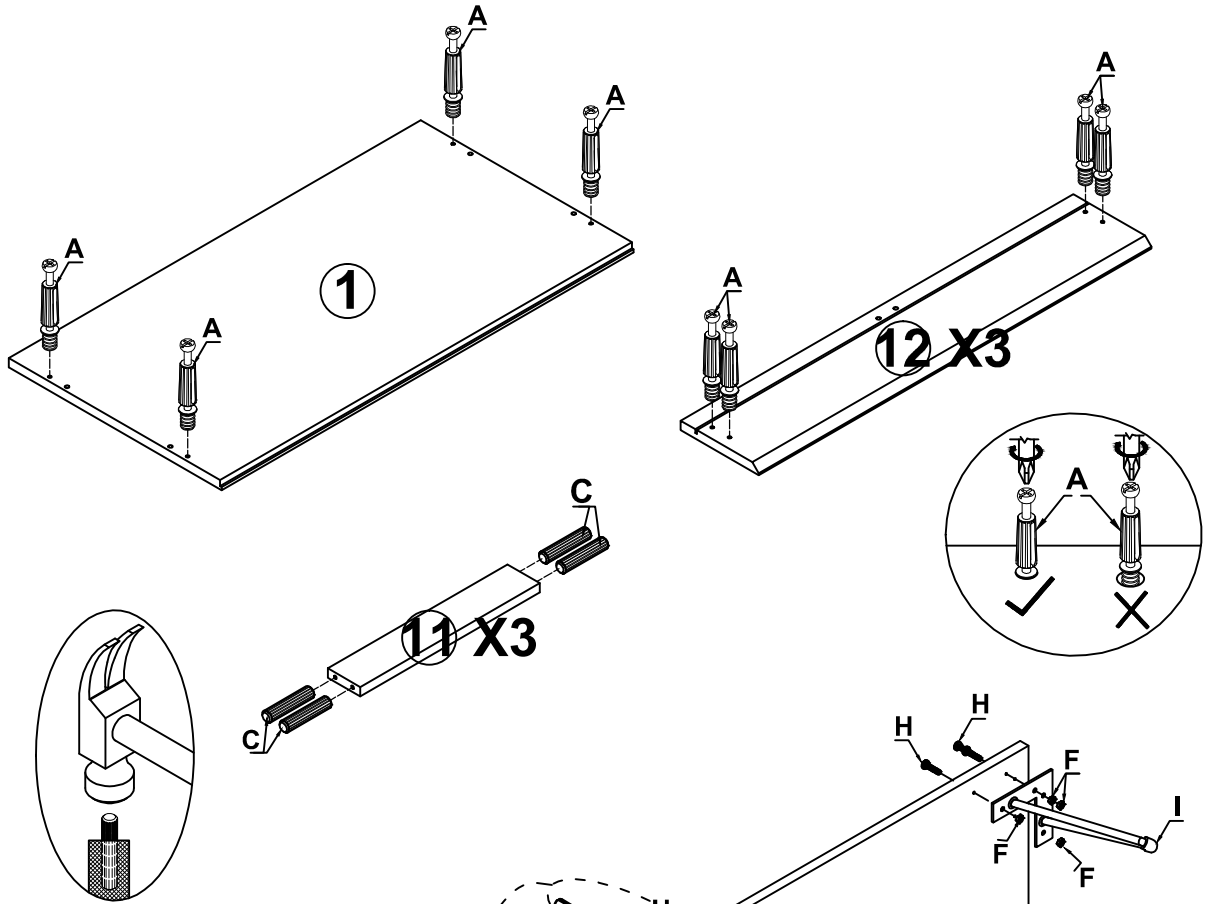
Assembly Instruction

Step 1

A=16 C=12



Peg Dowel



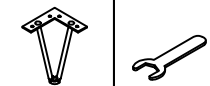
Step 2

F=16 H=16



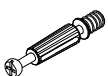
Screw Cap Screw

I=4 J=1

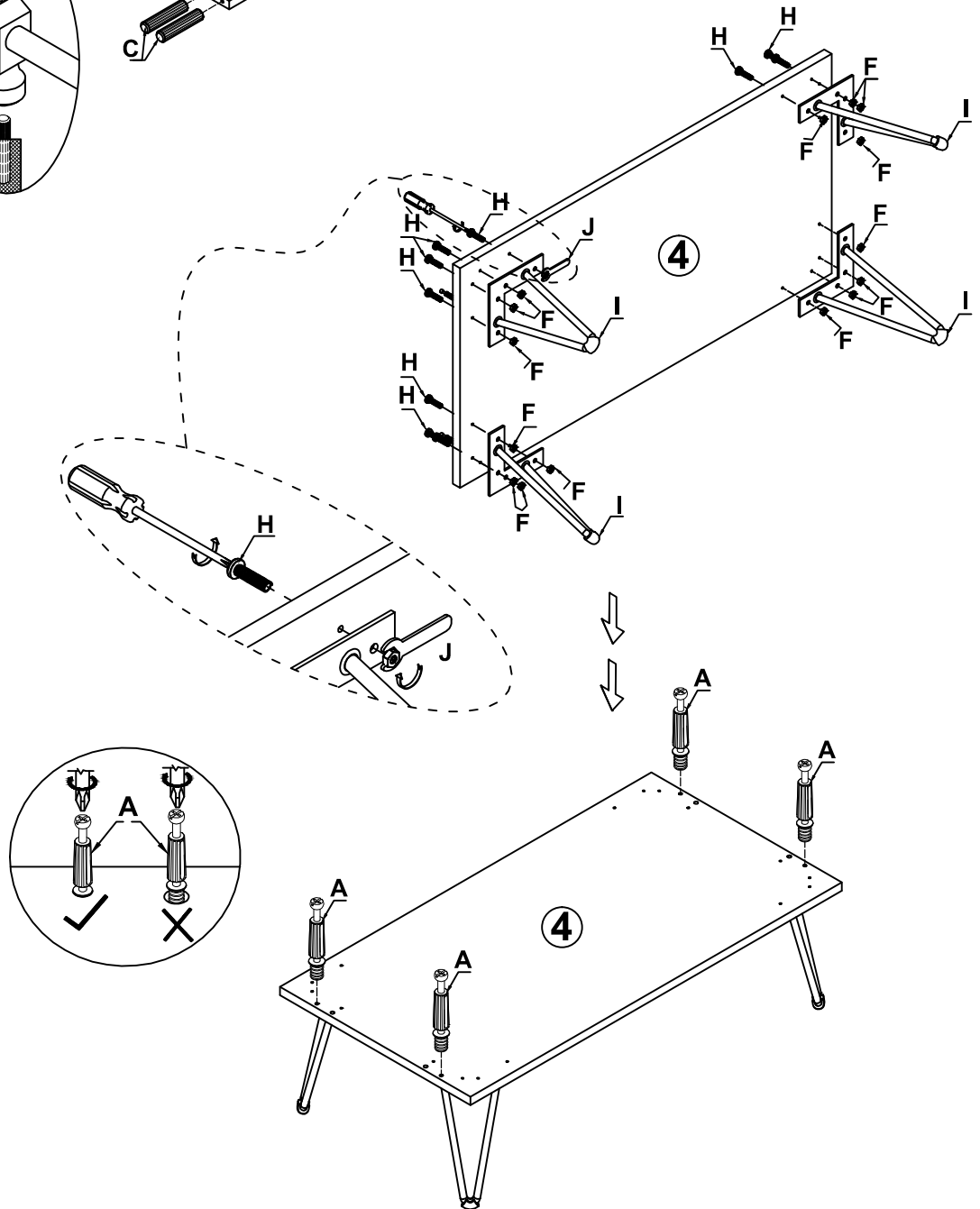


Plastic Foot Wrench

A=4

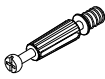
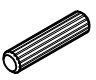
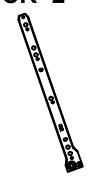



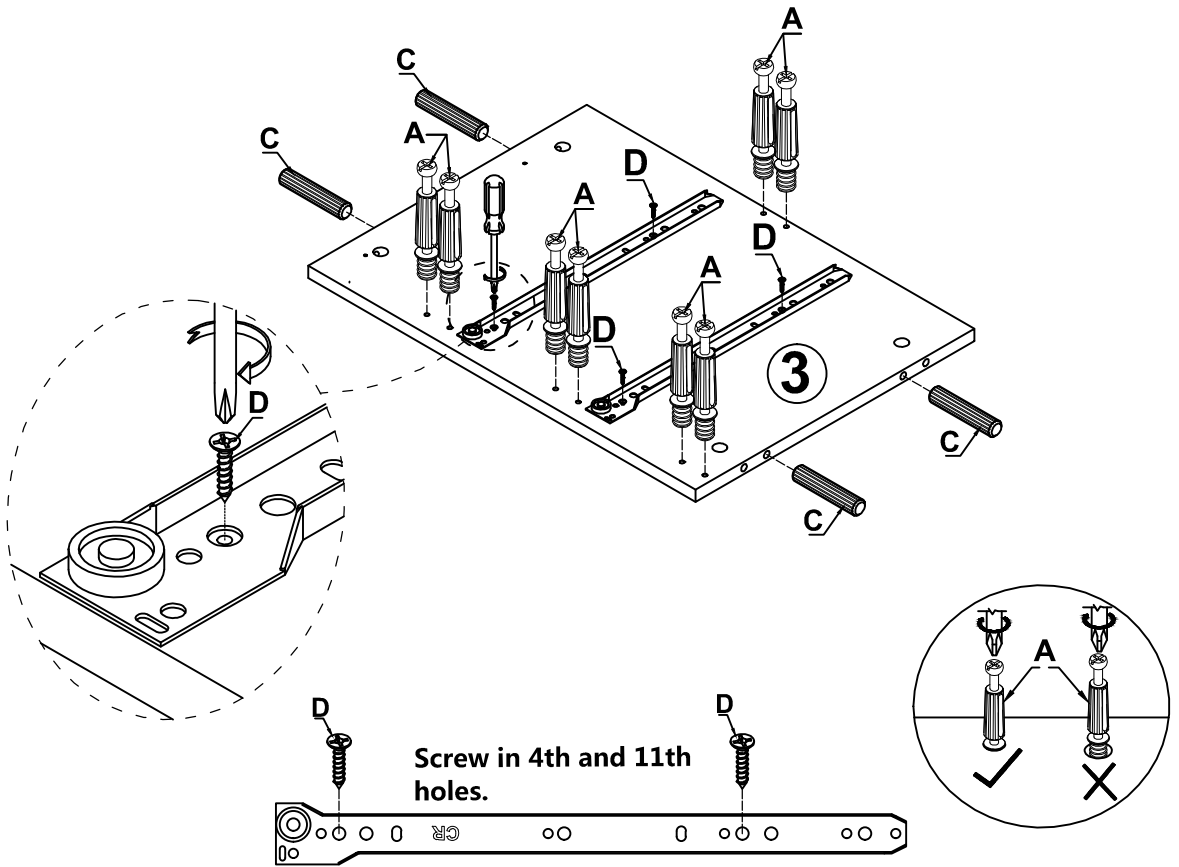
Peg



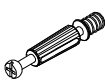
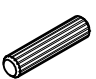
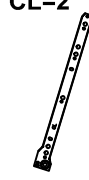

Assembly Instruction

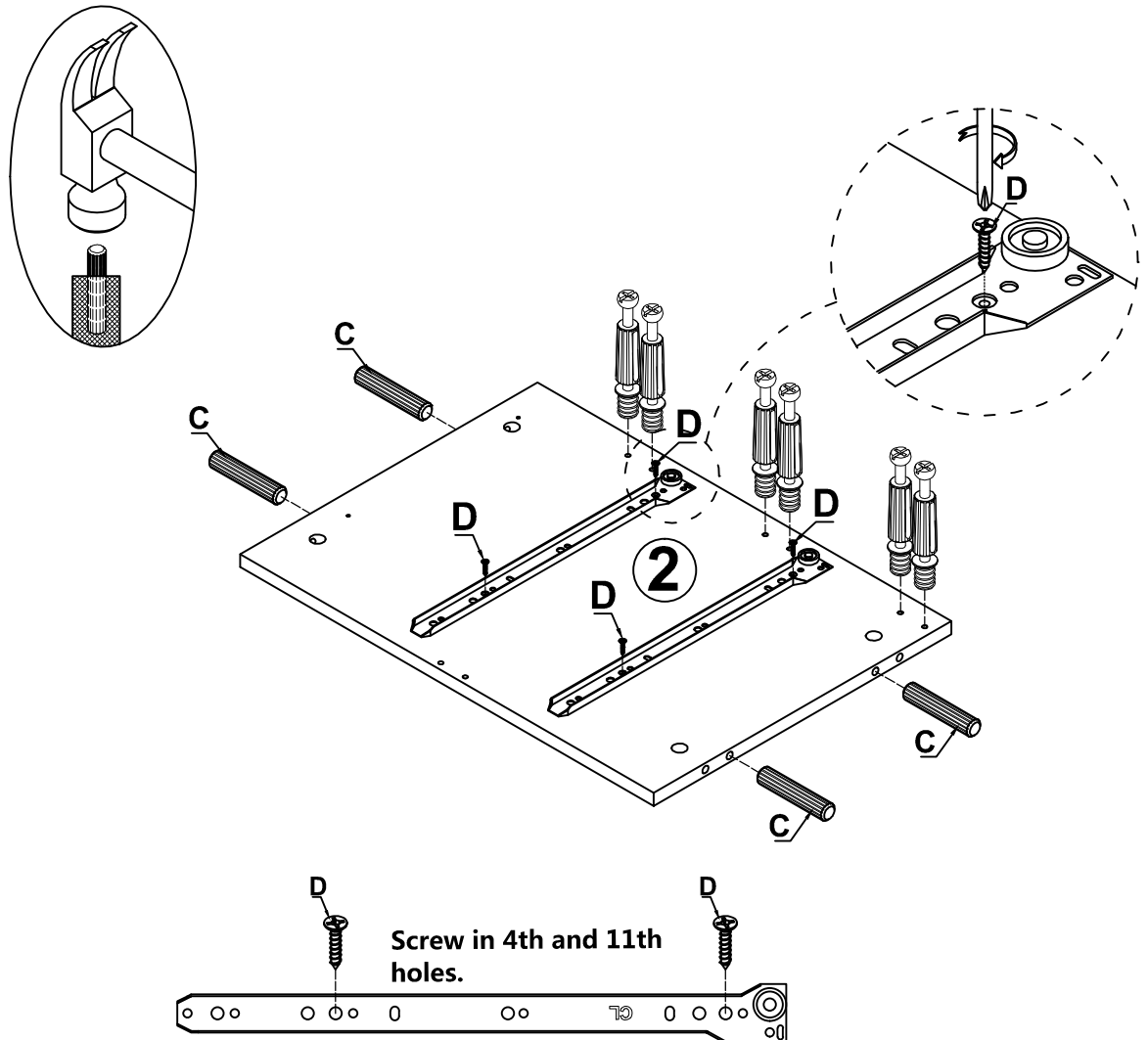
Step 3

A=8	C=4
	
Peg	Dowel
CR=2	D=4
	
Drawer Runner	Screw M3.5*14mm



Step 4

A=8	C=4
	
Peg	Dowel
CL=2	D=4
	
Drawer Runner	Screw M3.5*14mm



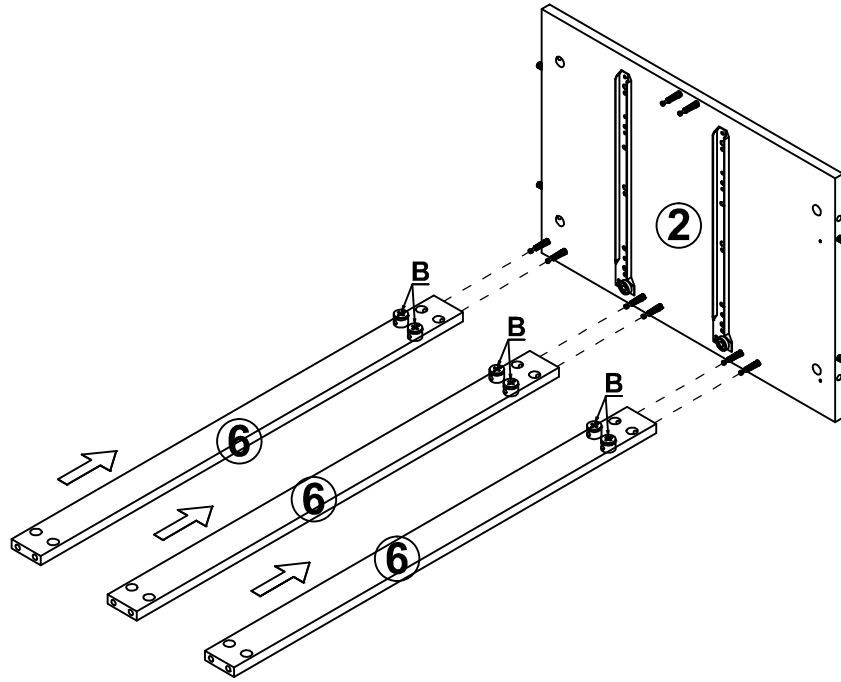
Assembly Instruction

Step 5

B=6



Lock

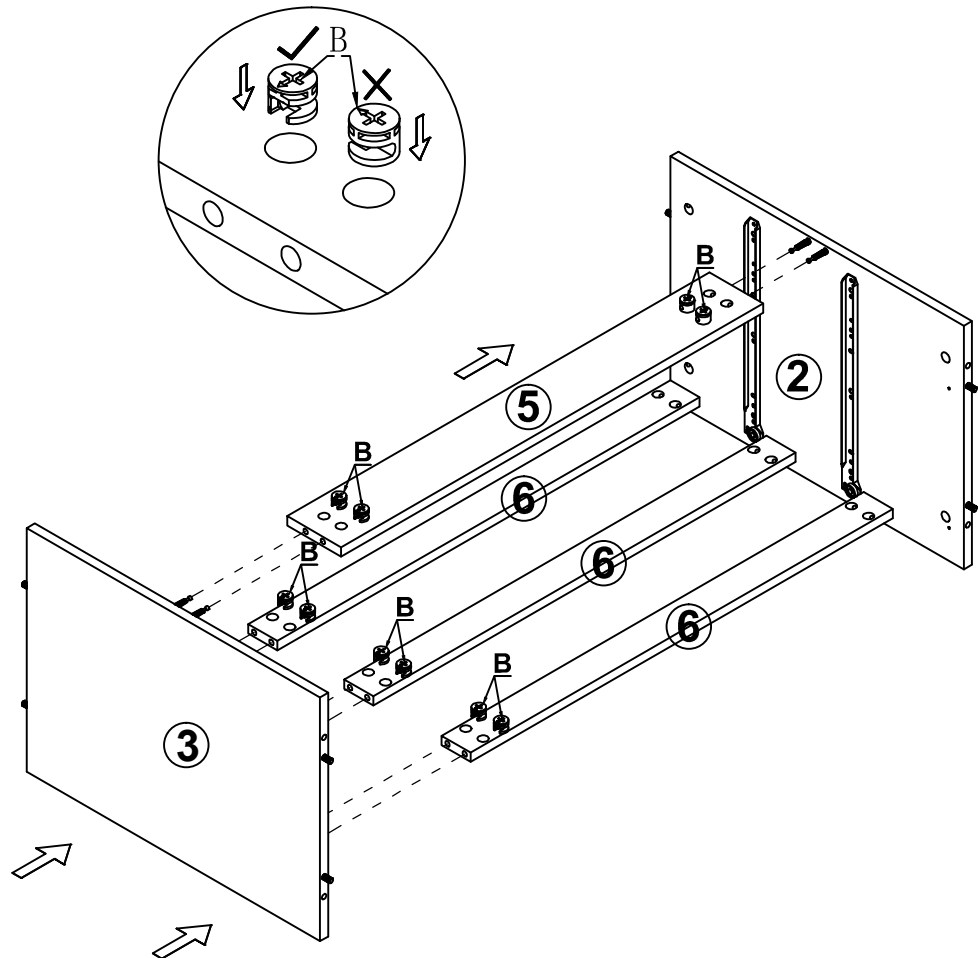


Step 6

B=10



Lock



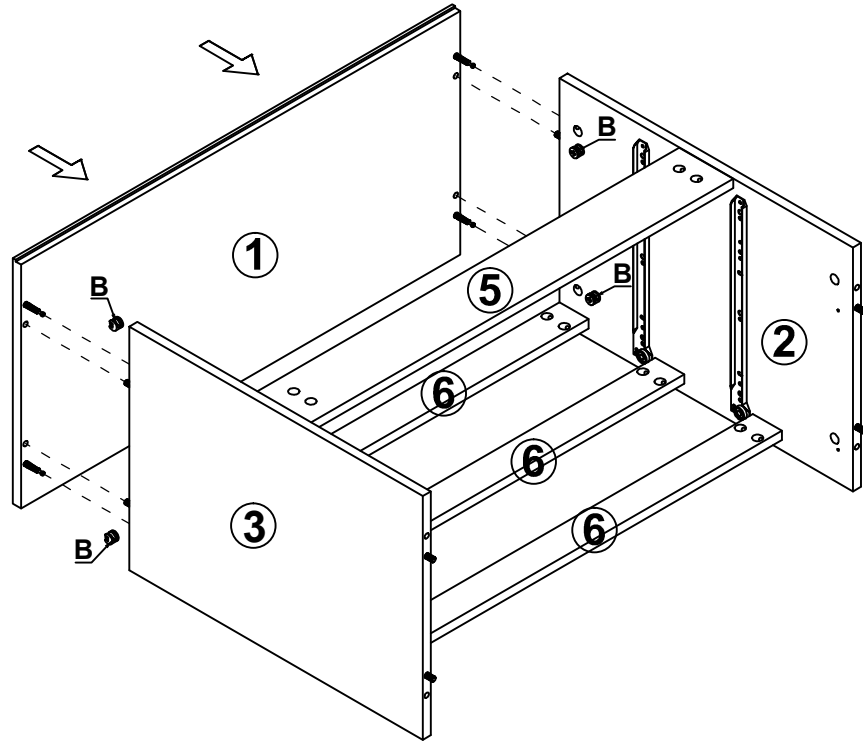
Assembly Instruction

Step 7

B=4



Lock

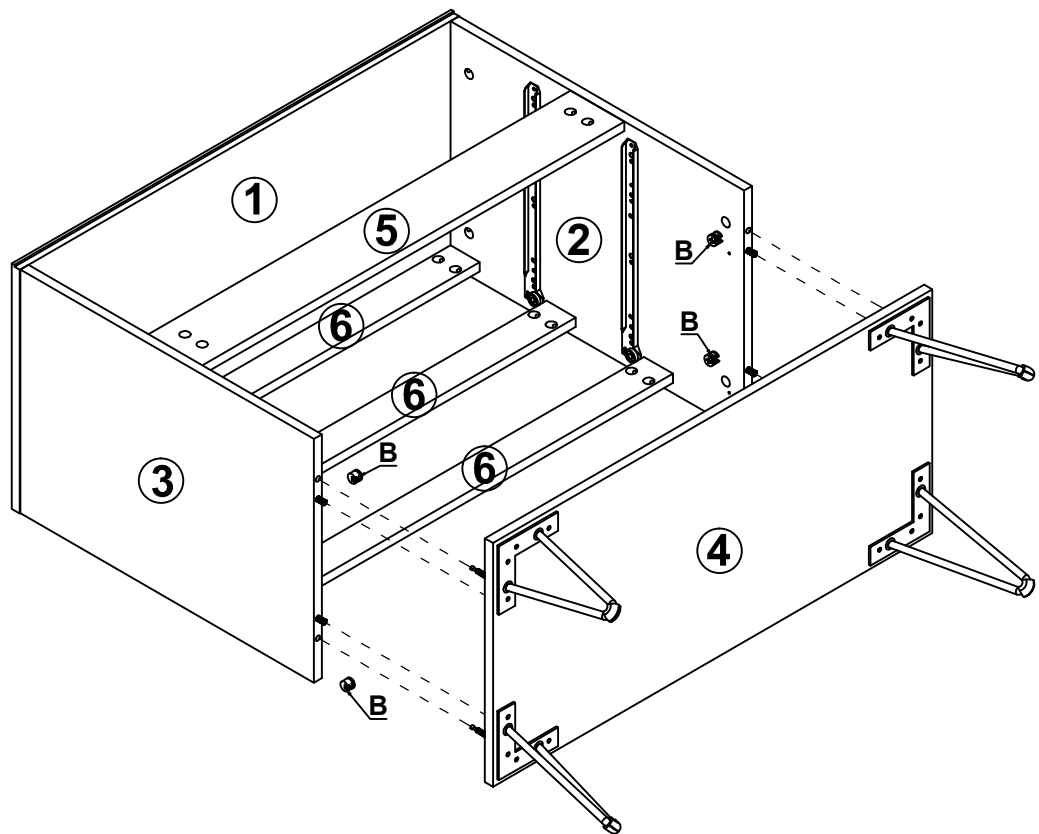


Step 8

B=4



Lock



Assembly Instruction

Step 9

CR=1

CL=1



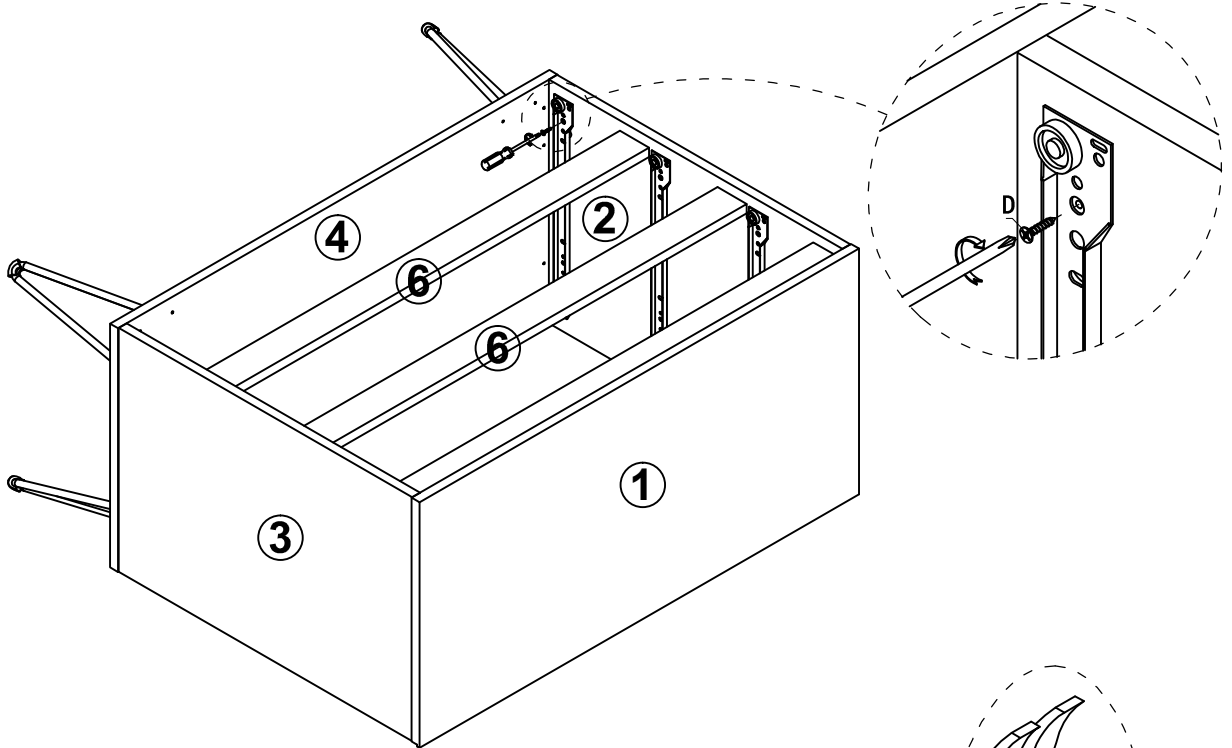
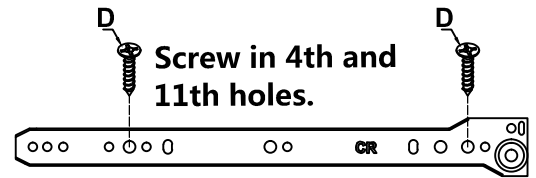
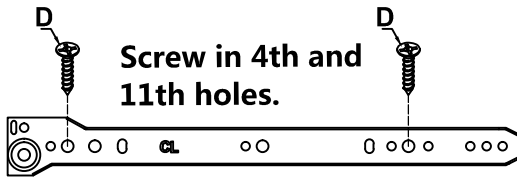
Drawer Runner

Drawer Runner

D=4



Screw
M3.5*14mm



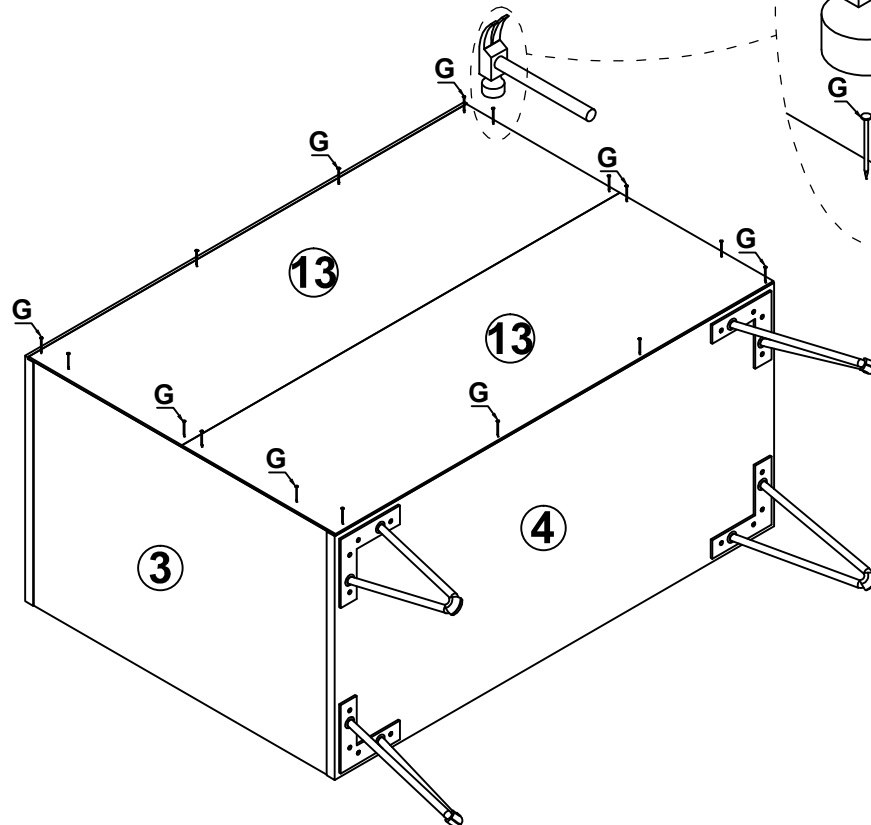
Step 10

G=16



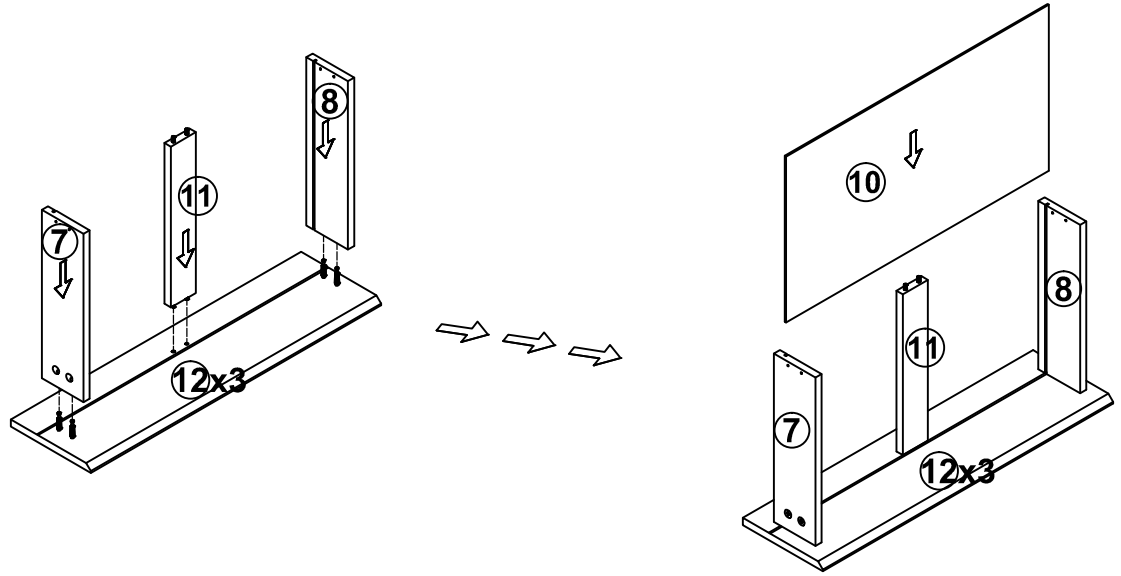
Pin

Turn Over
180°



Assembly Instruction

Step 11



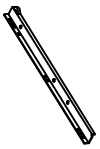
※ Assembly Details

Please slide drawer bottom then fix the cam lock

Step 12

DR=3

DL=3



Drawer Runner

Drawer Runner

D=12

E=12



Screw M3.5*14mm

Screw M4*38

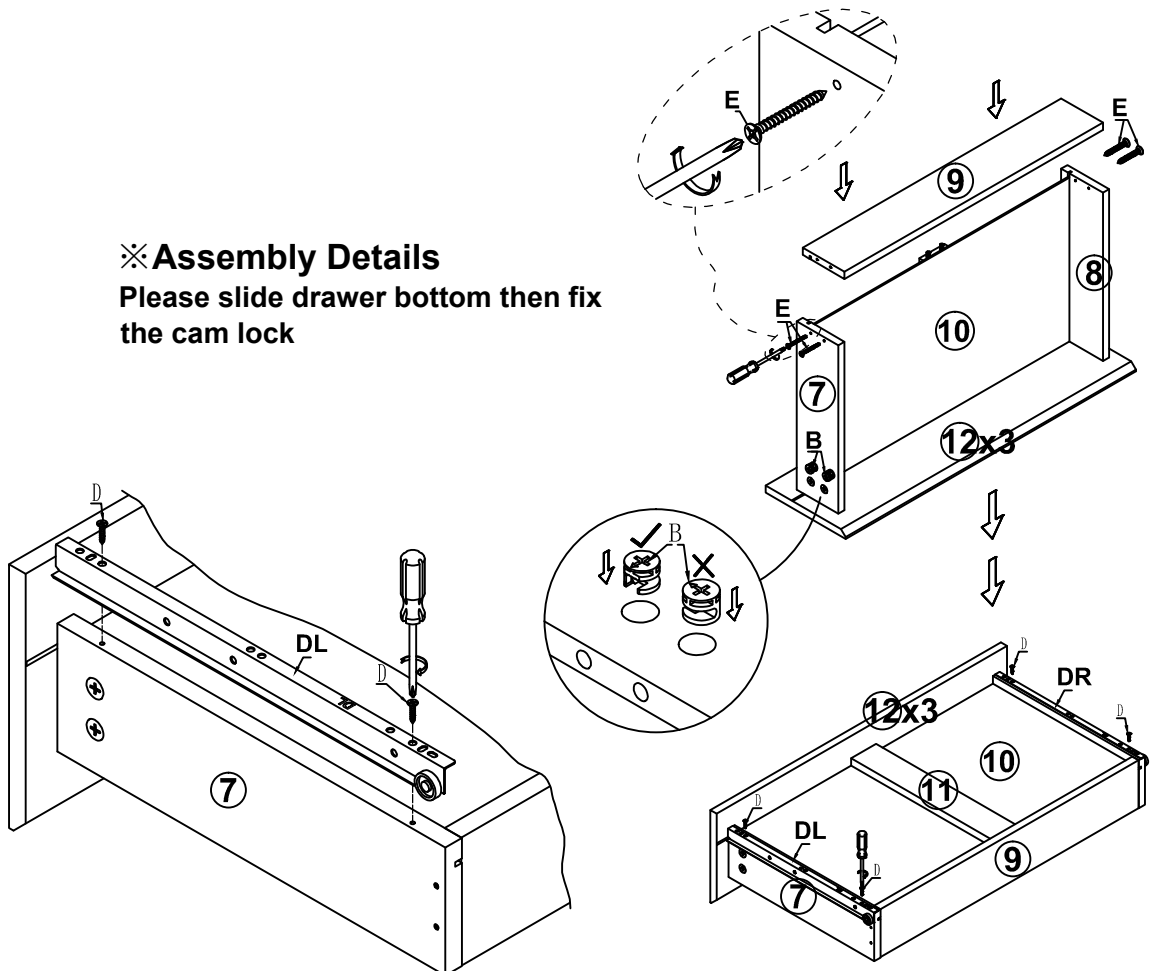
B=12



Lock

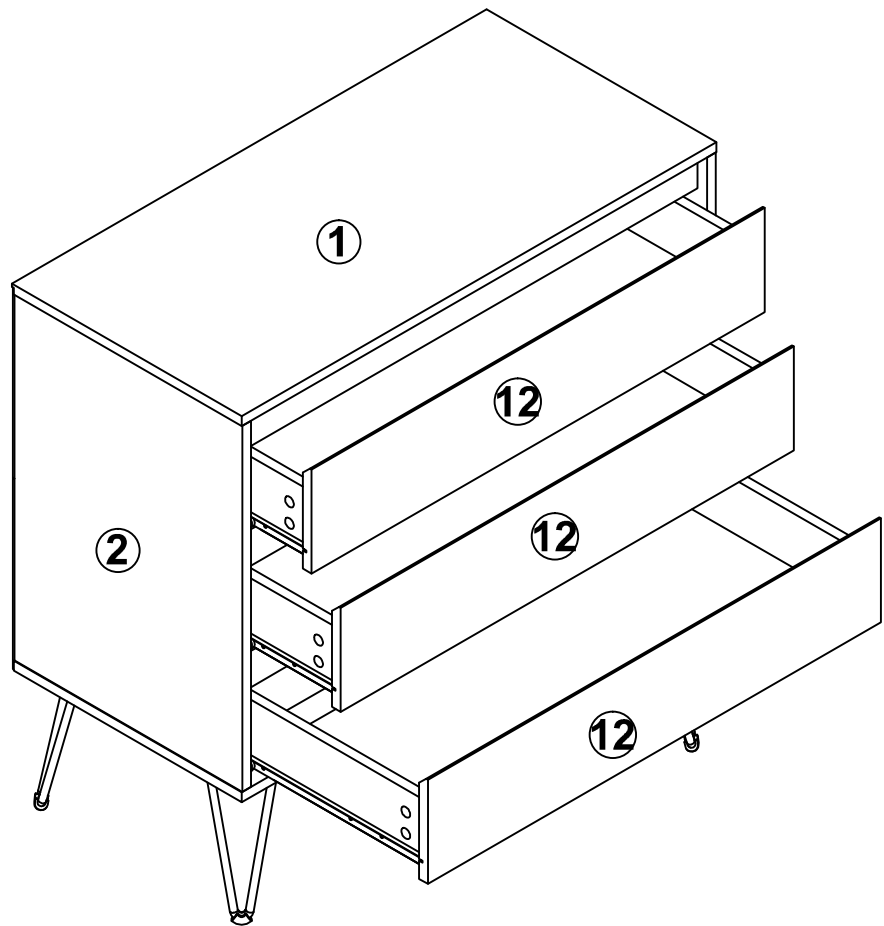
※ Assembly Details

Please slide drawer bottom then fix the cam lock

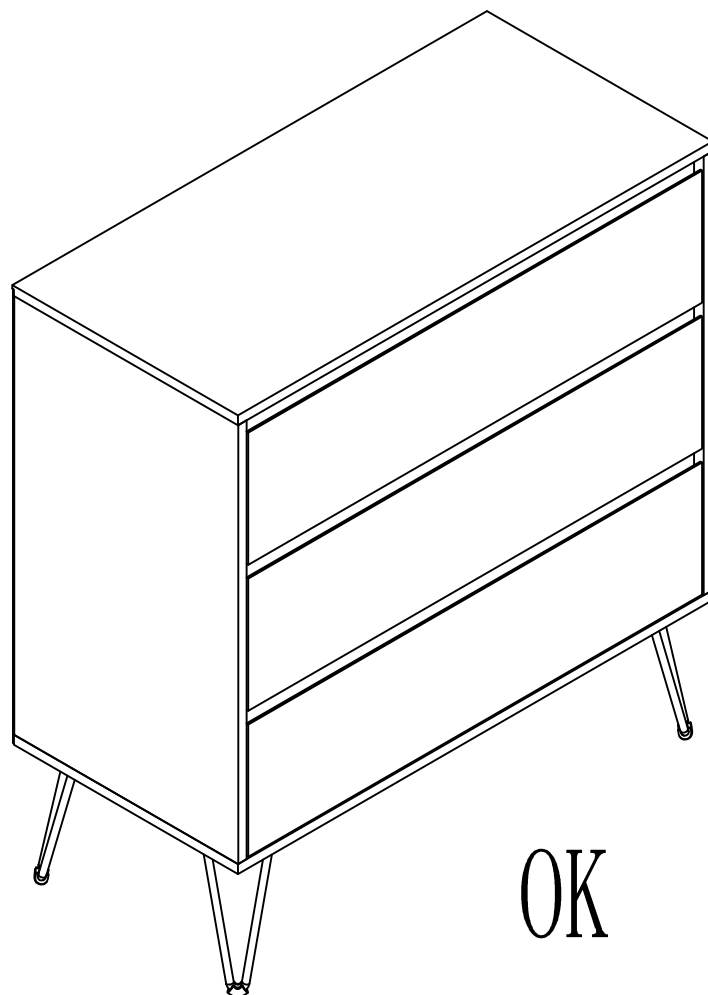


Assembly Instruction

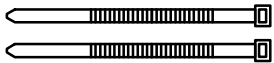
Step 13



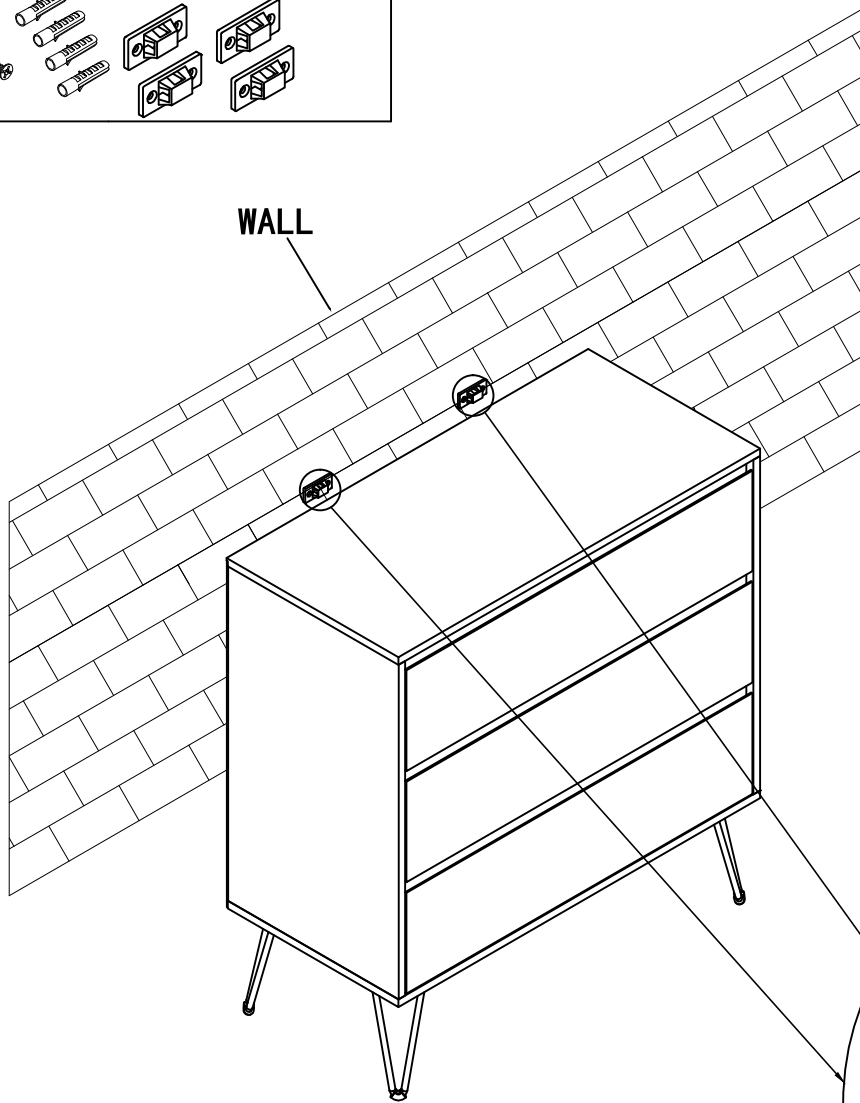
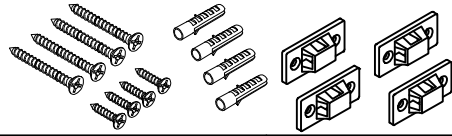
Step 14



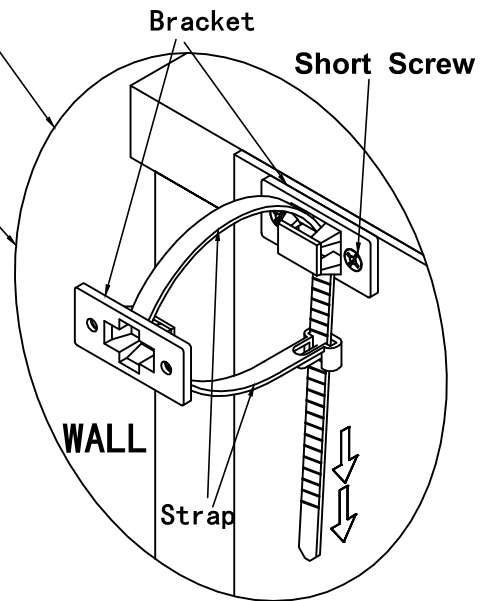
P=1



Wall bracket



WALL

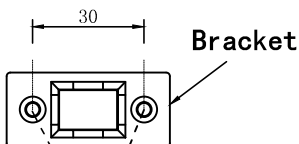


Bracket

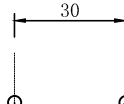
Short Screw

WALL

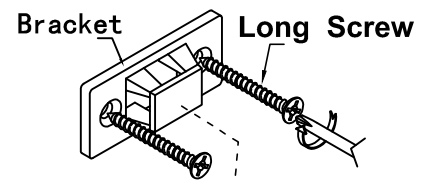
Strap



Bracket



Wall plug



Bracket

Long Screw

