
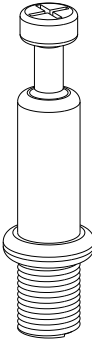
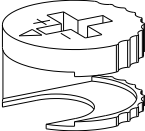
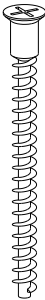
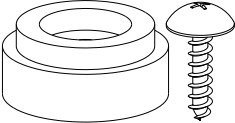
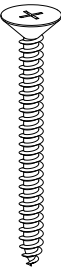
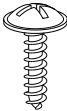

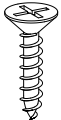
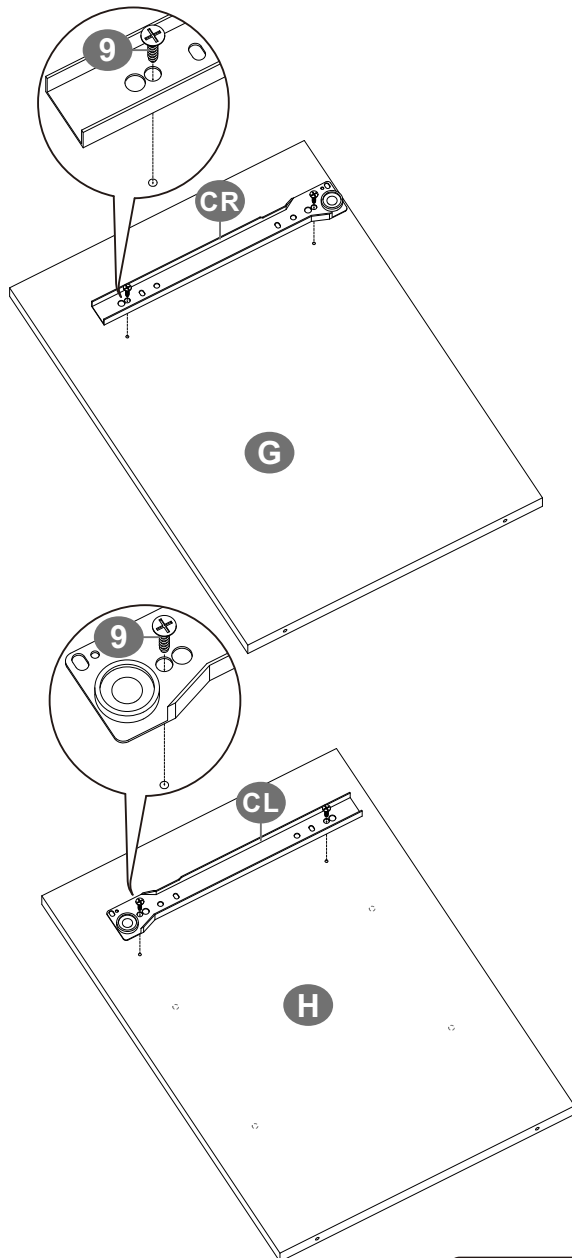
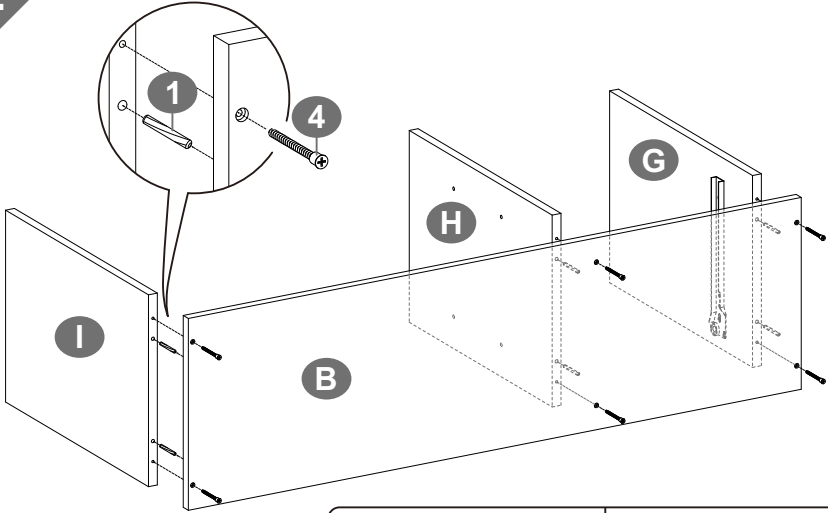


<p>1 6+1</p> 	<p>2 4+1</p> 	<p>3 4+1</p> 
<p>4 12+1</p> 	<p>5 × 6</p> 	<p>6 × 4</p> 
<p>7 24+1</p> 	<p>8 8+1</p> 	<p>9 8+1</p> 

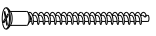
1



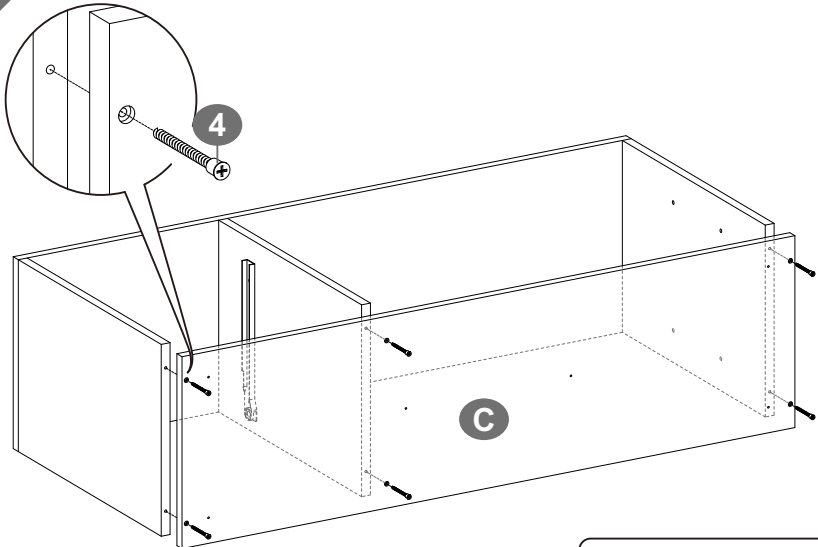
2



1  6PCS

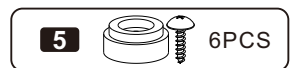
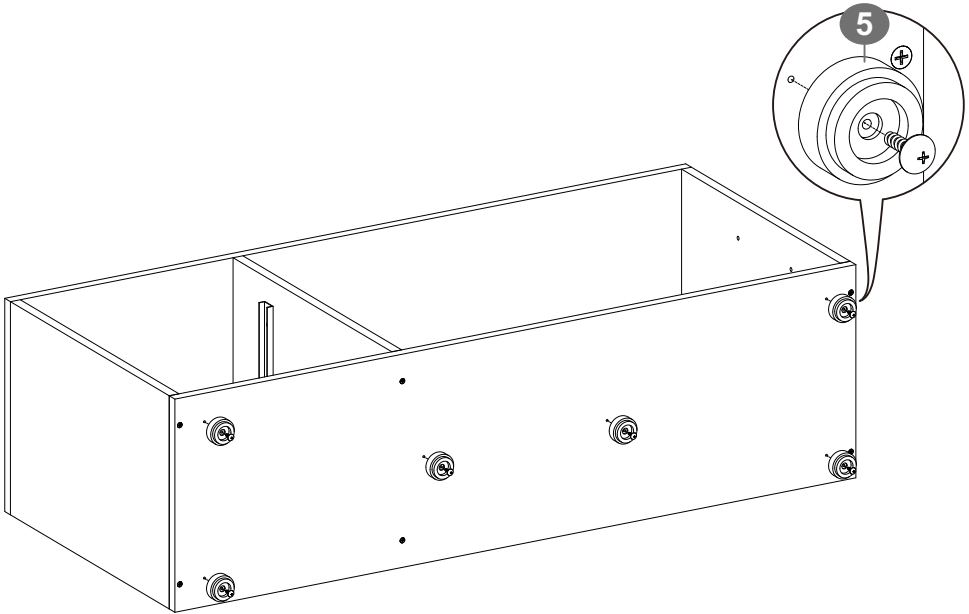
4  6PCS

3

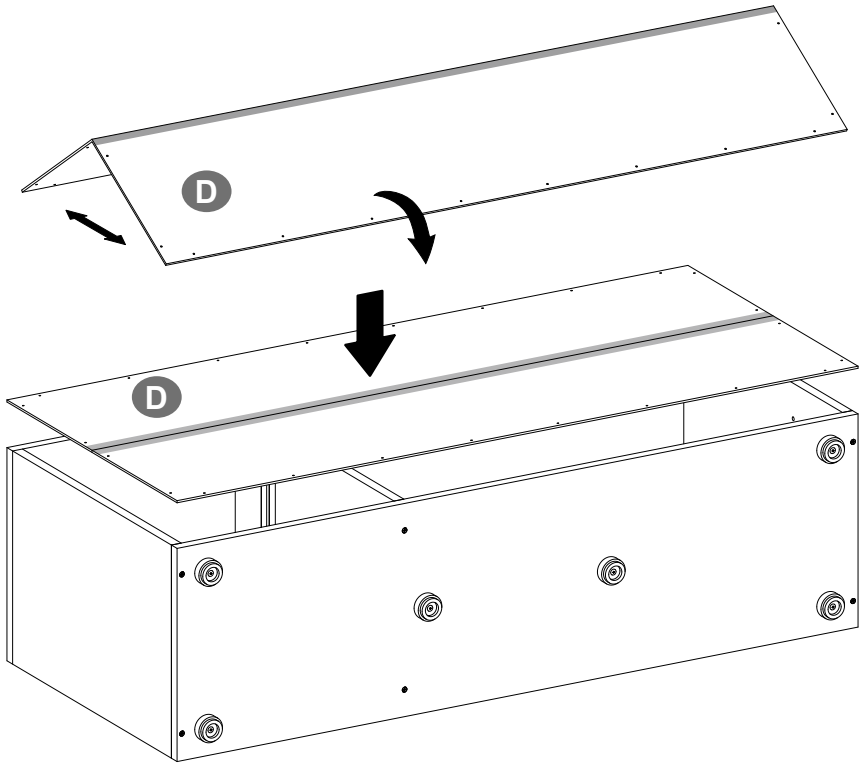


4  6PCS

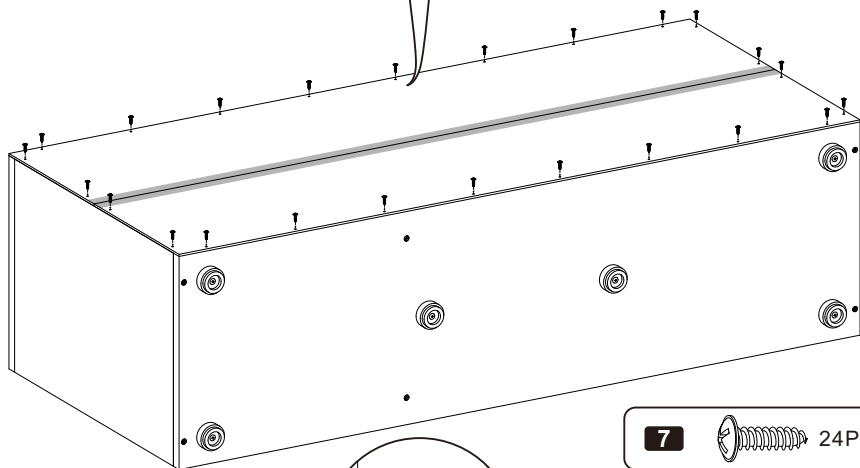
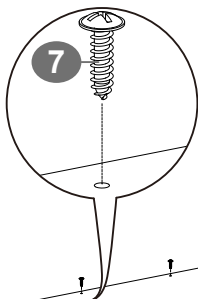
4



5

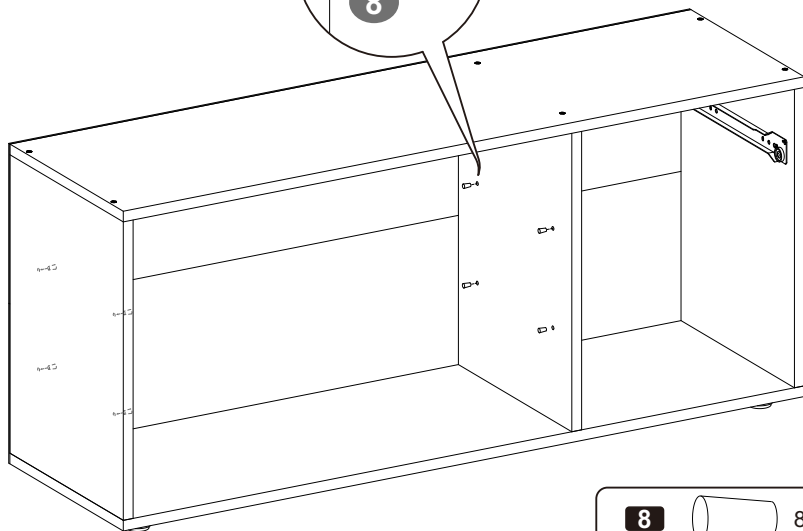
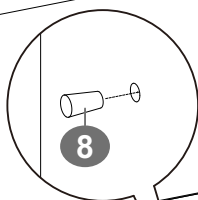


6



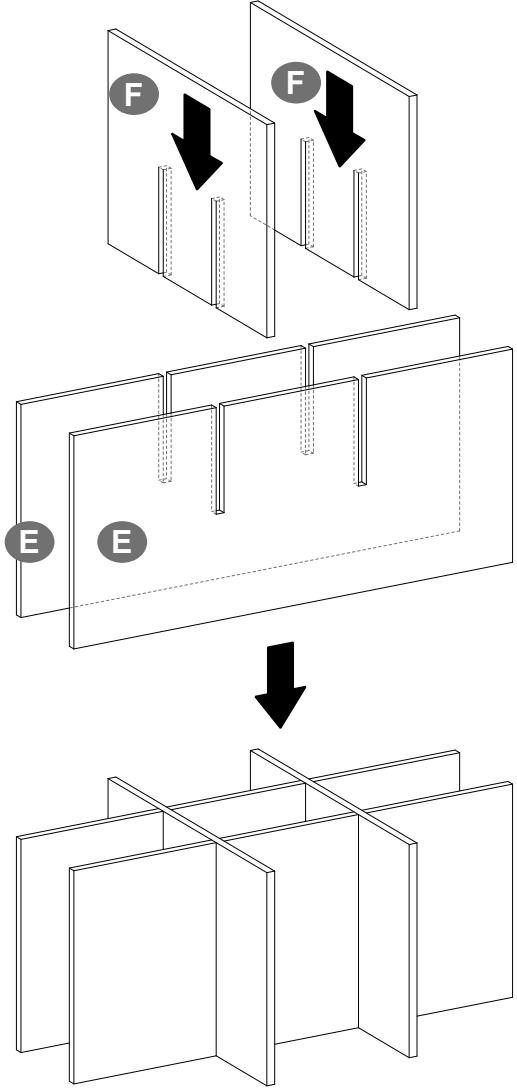
7 24PCS

7

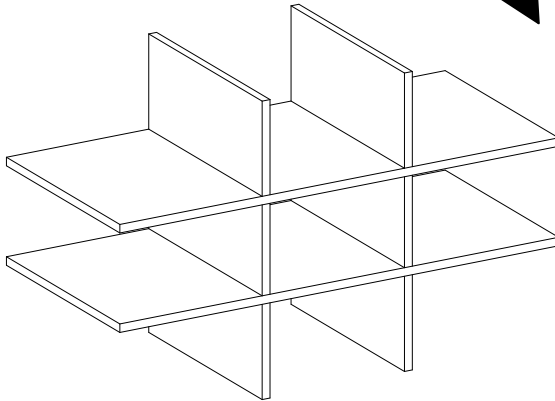
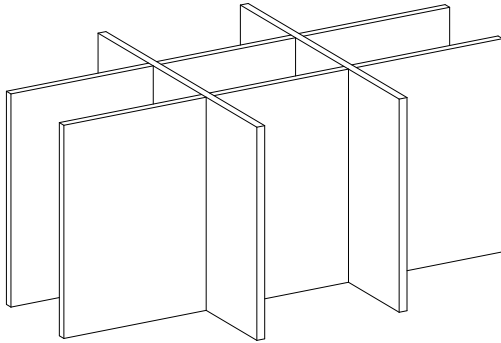


8 8PCS

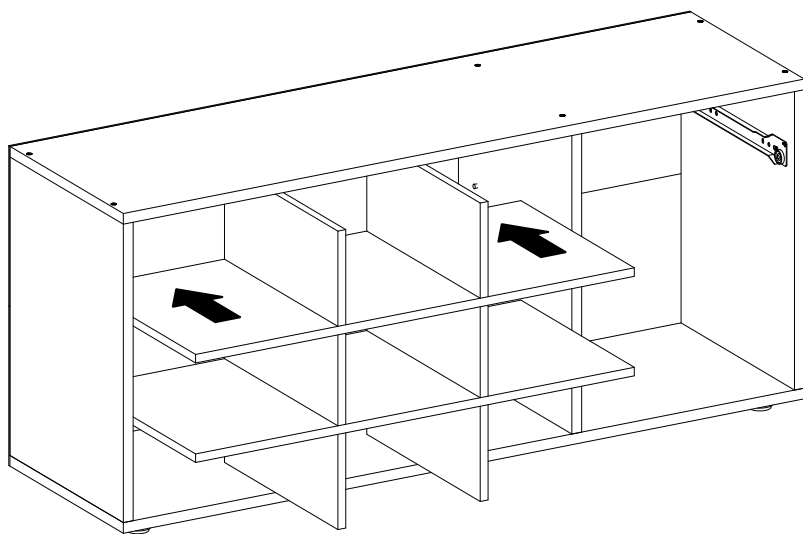
8



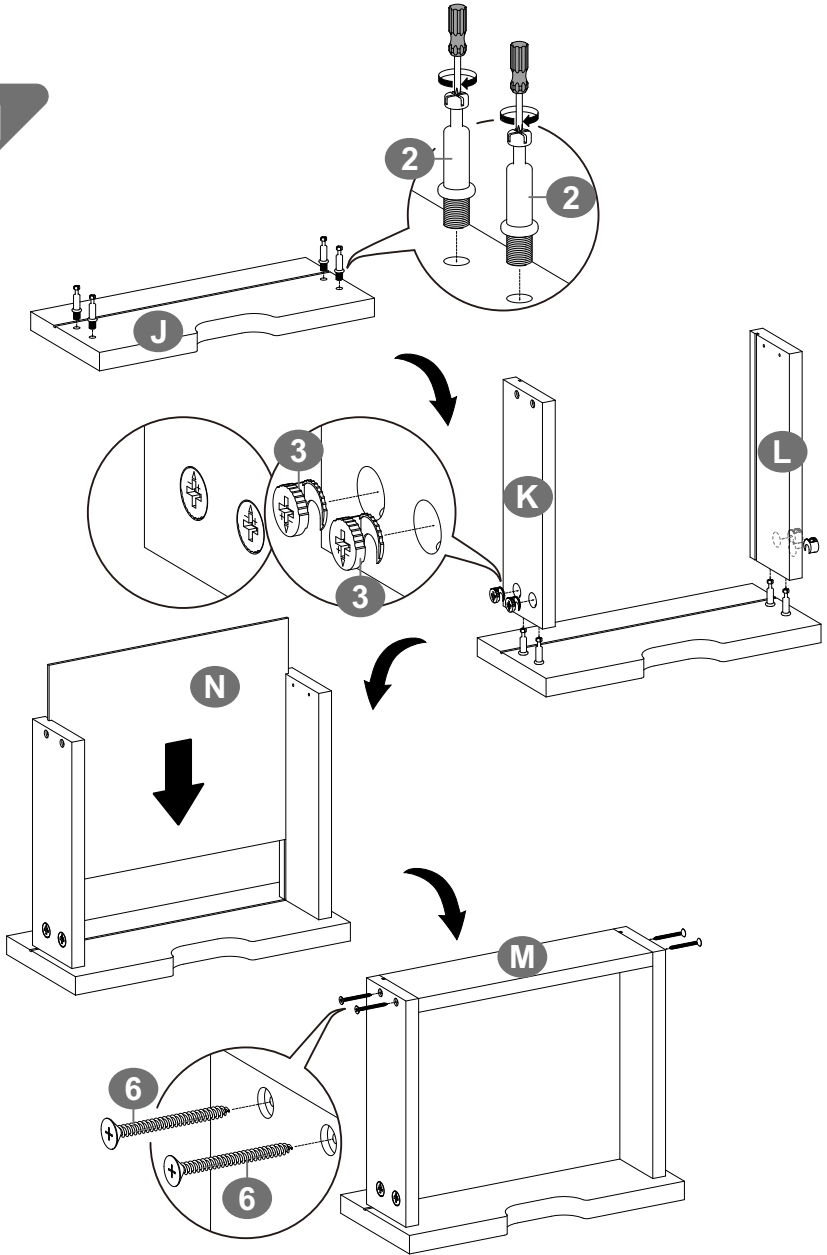
9



10

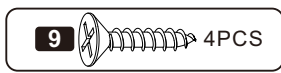
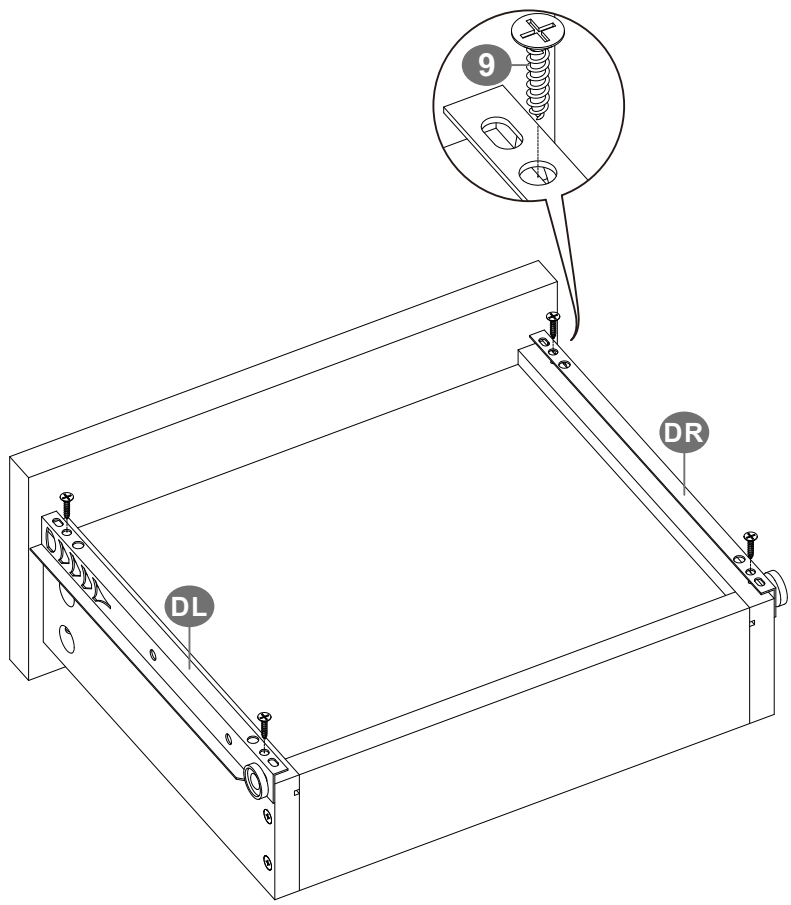


11

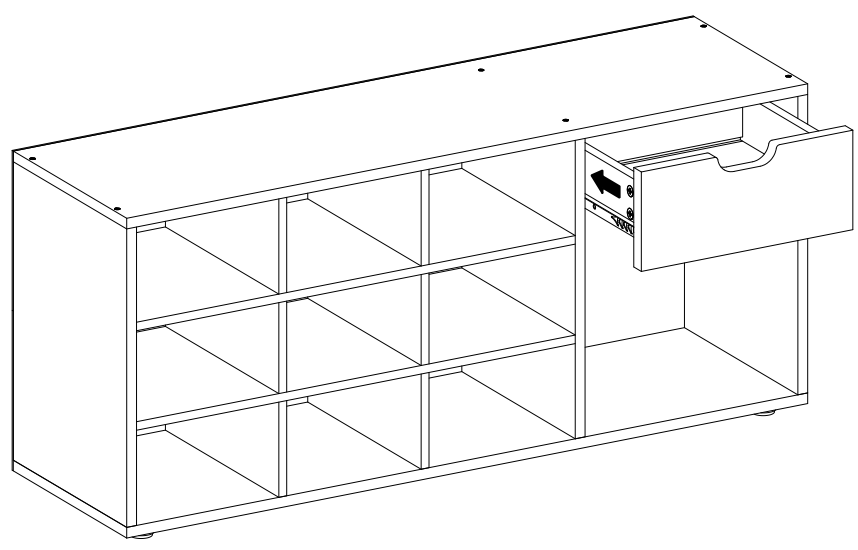


- | | | |
|---|---|---|
| 2  4PCS | 3  4PCS | 6  4PCS |
|---|---|---|

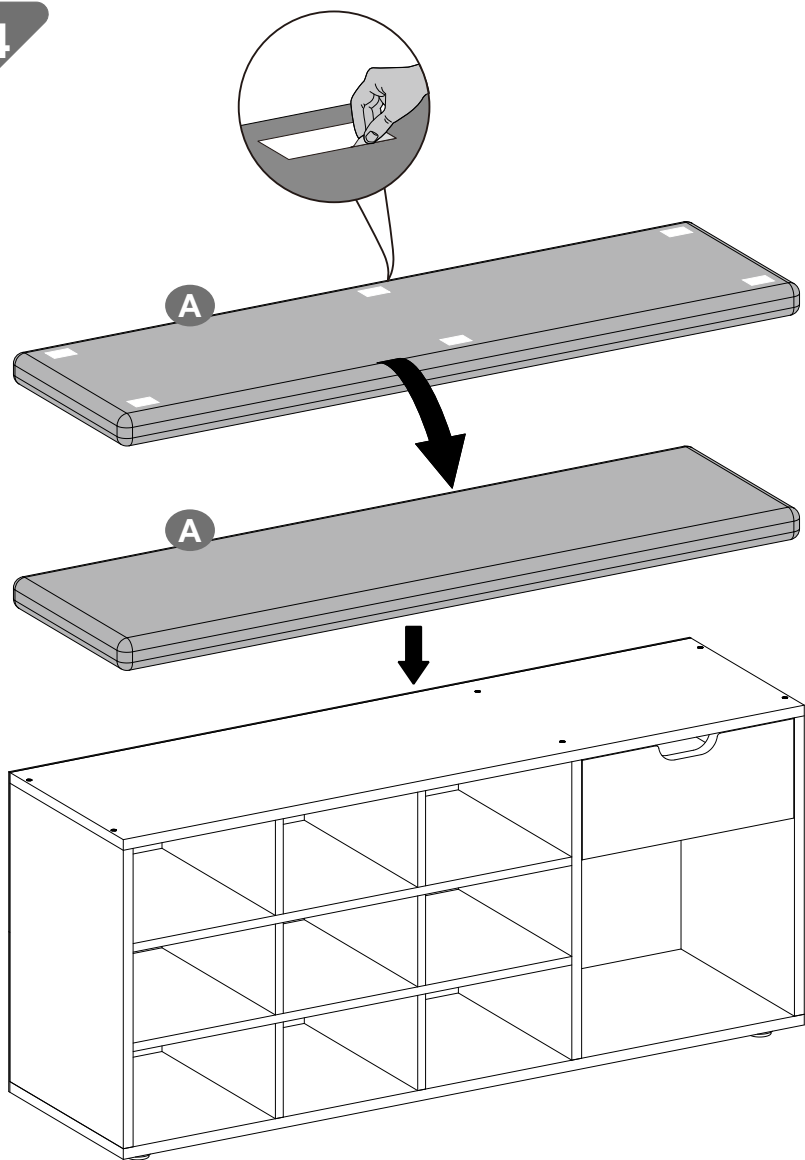
12



13



14



15

