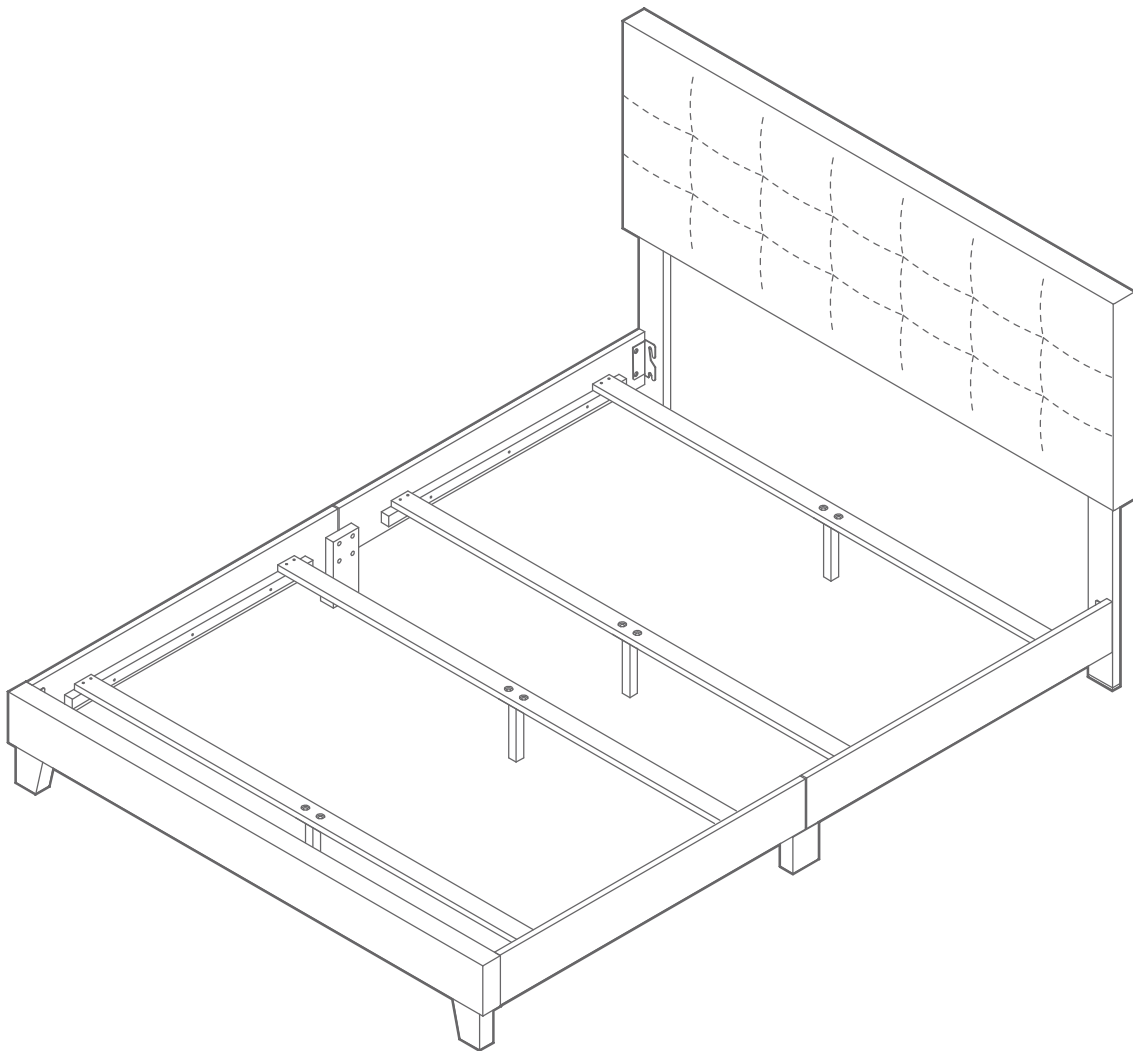


PLATFORM BED

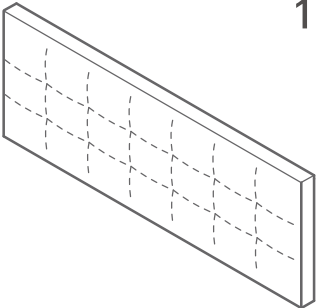
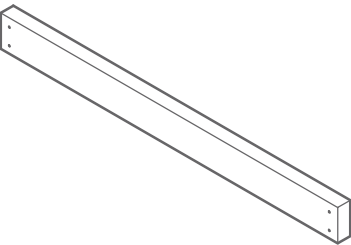
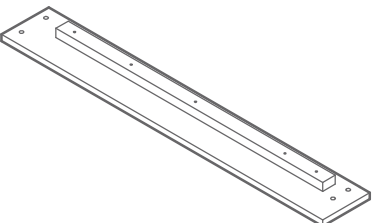
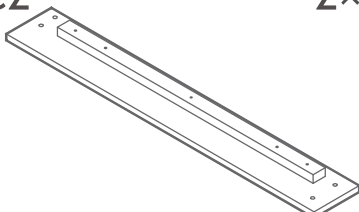
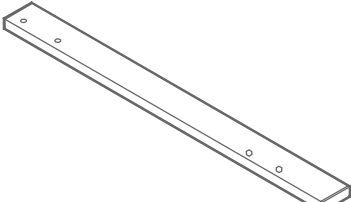
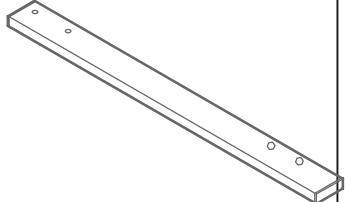
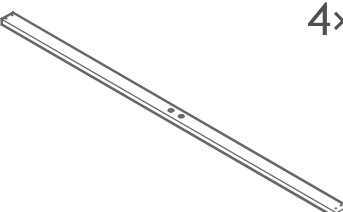
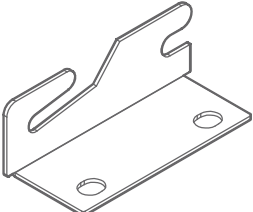
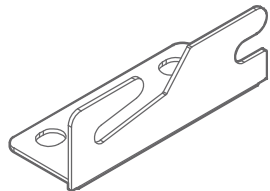
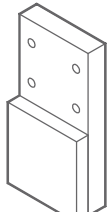
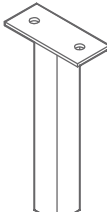
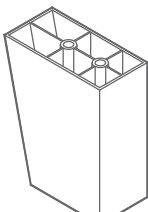
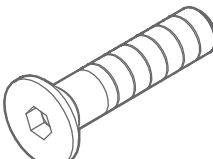
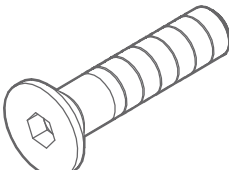
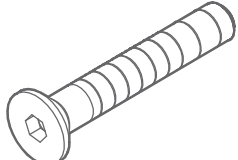
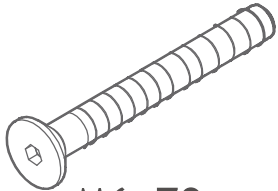
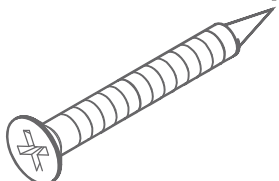
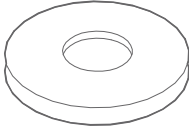
ORIGINAL INSTRUCTION MANUAL

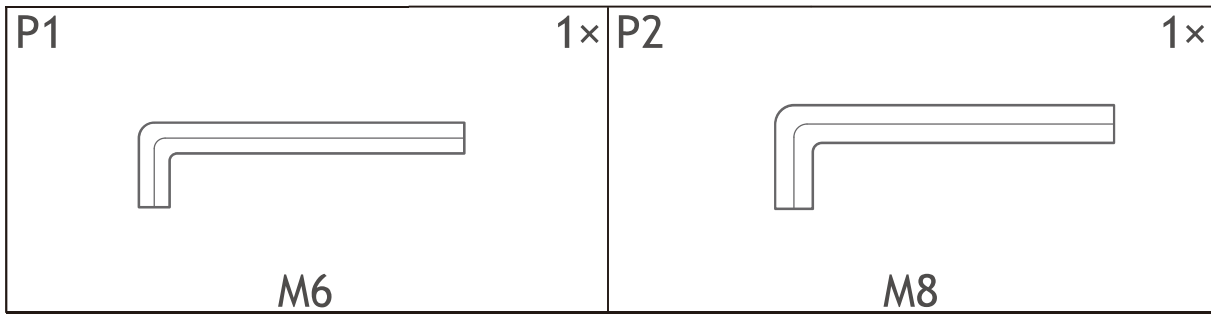


DEAR CUSTOMER,

Thank you for choosing our product. Please read this manual carefully before assembling or using the product, to avoid damage caused by improper use. If the product is passed on to third parties, this manual has to be passed on along with the product. If you have any questions, please don't hesitate to contact us.

PARTS LIST

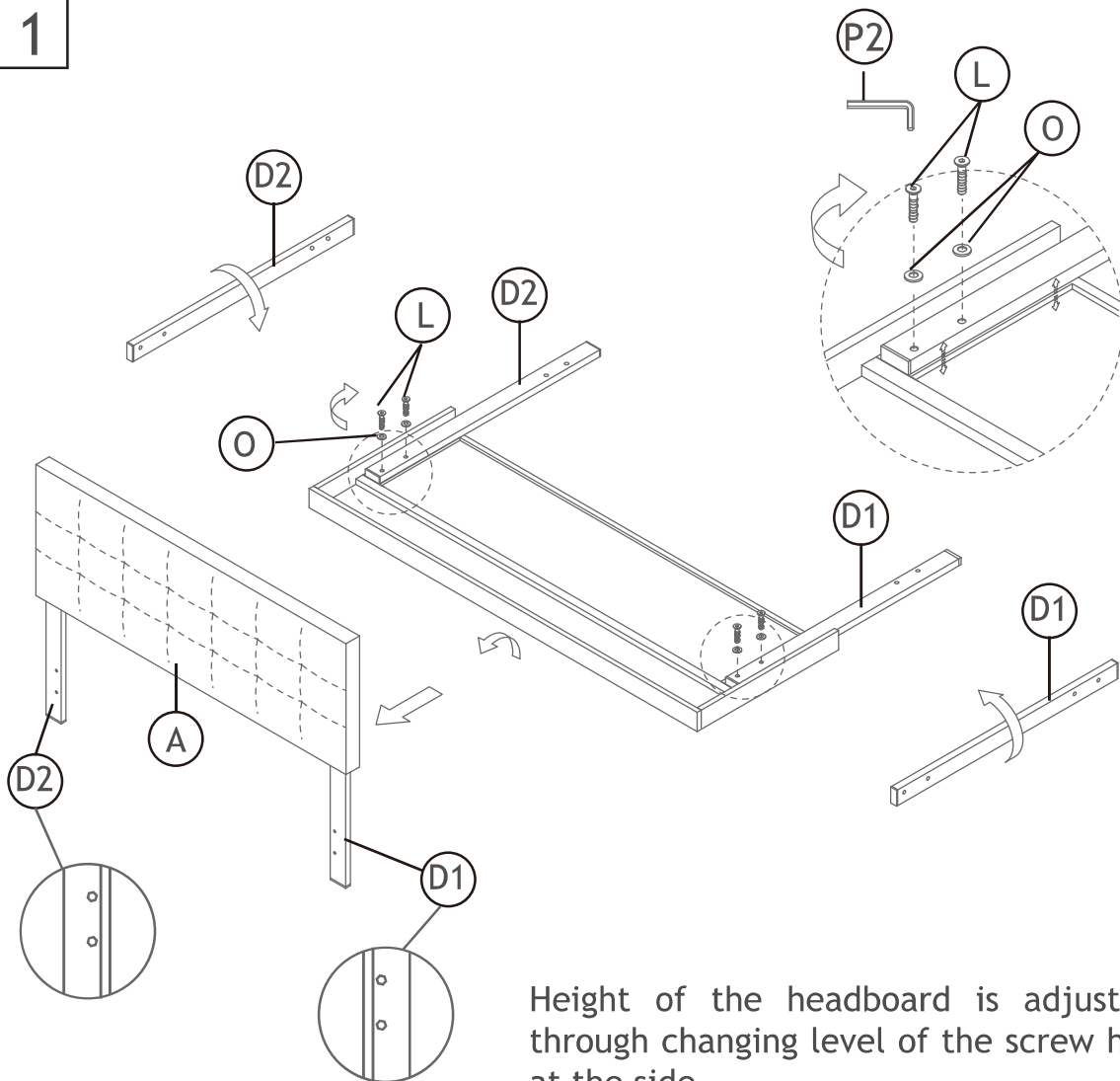
<p>A 1×</p> 	<p>B 1×</p> 	<p>C1 2×</p> 
<p>C2 2×</p> 	<p>D1 1×</p> 	<p>D2 1×</p> 
<p>E 4×</p> 	<p>F1 2×</p> 	<p>F2 2×</p> 
<p>G 2×</p> 	<p>H 4×</p> 	<p>I 2×</p> 
<p>J 8×</p>  <p>M8×18</p>	<p>K 16×</p>  <p>M8×25</p>	<p>L 12×</p>  <p>M8×40</p>
<p>M 4×</p>  <p>M6×70</p>	<p>N 16×</p>  <p>M5×40</p>	<p>O 20×</p> 



ASSEMBLY

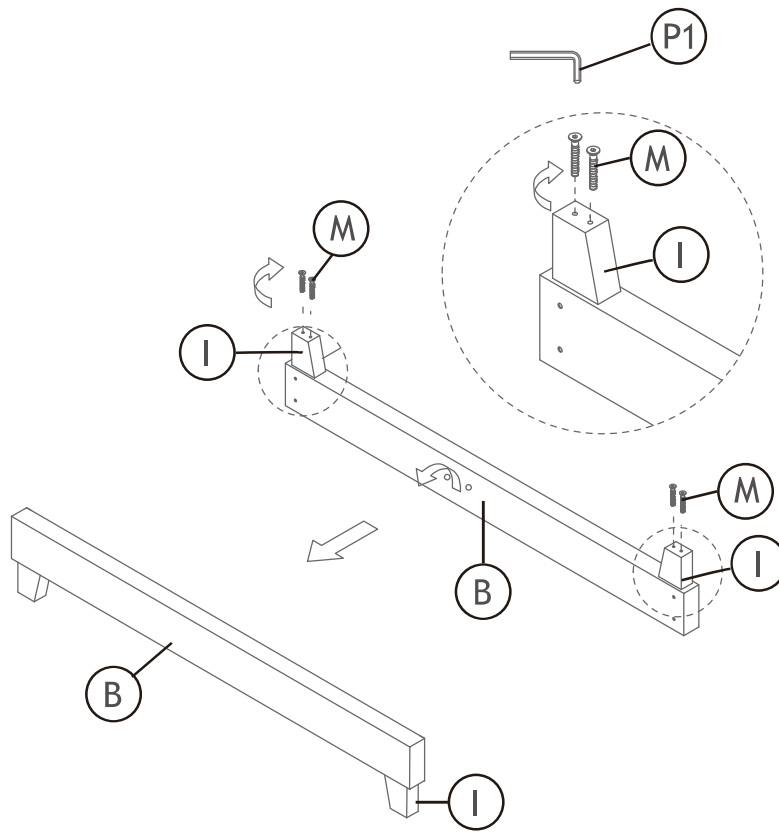
Before your installation, please make sure that you have all the parts listed on the manual. If you find something missing, please stop assembling and contact your supplier immediately.

1

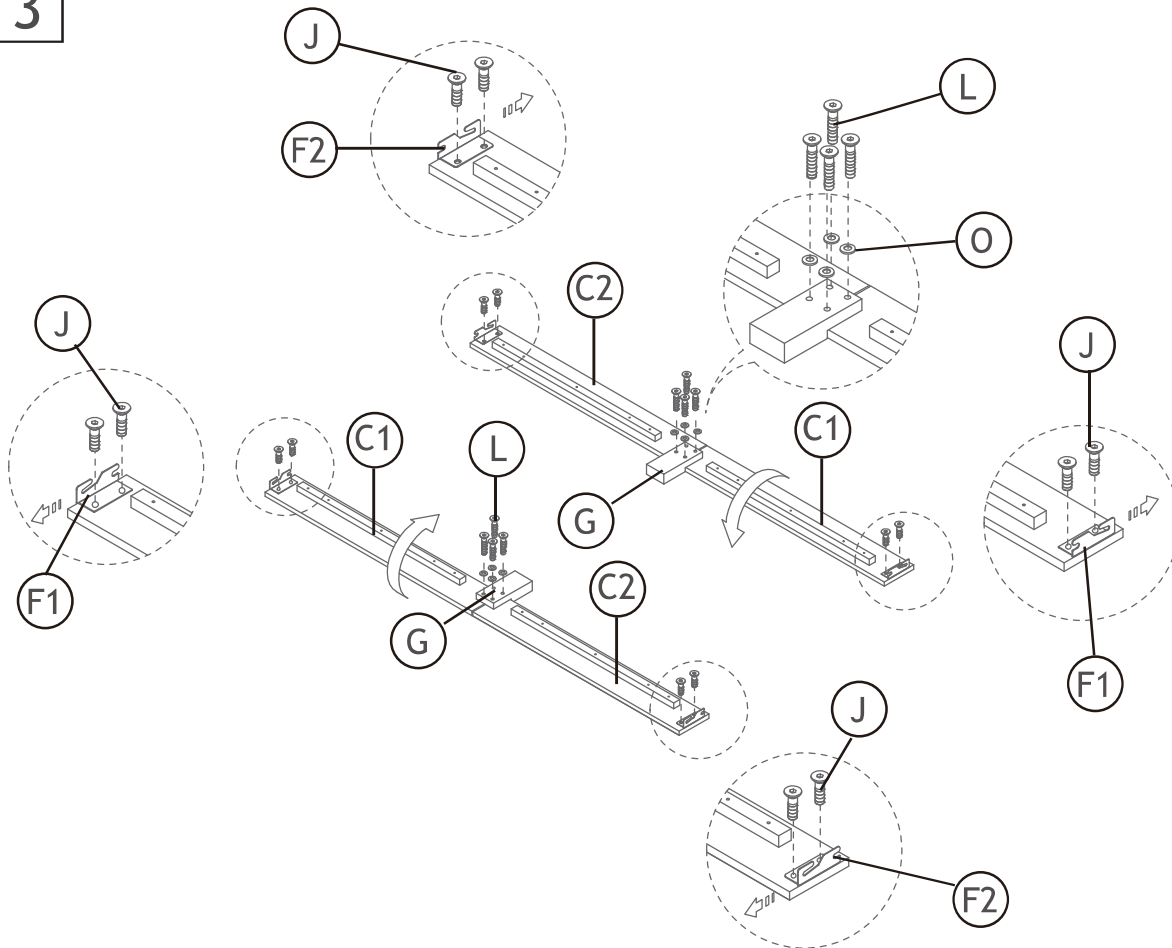


Height of the headboard is adjustable through changing level of the screw holes at the side.

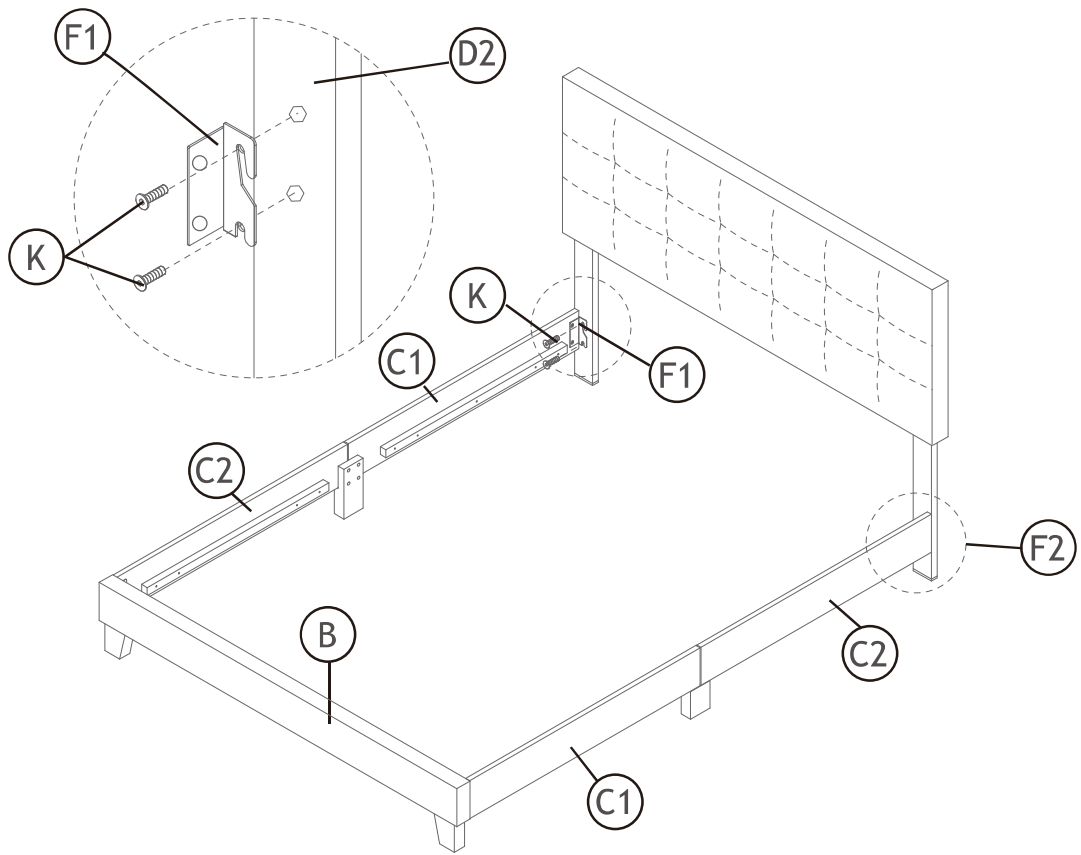
2



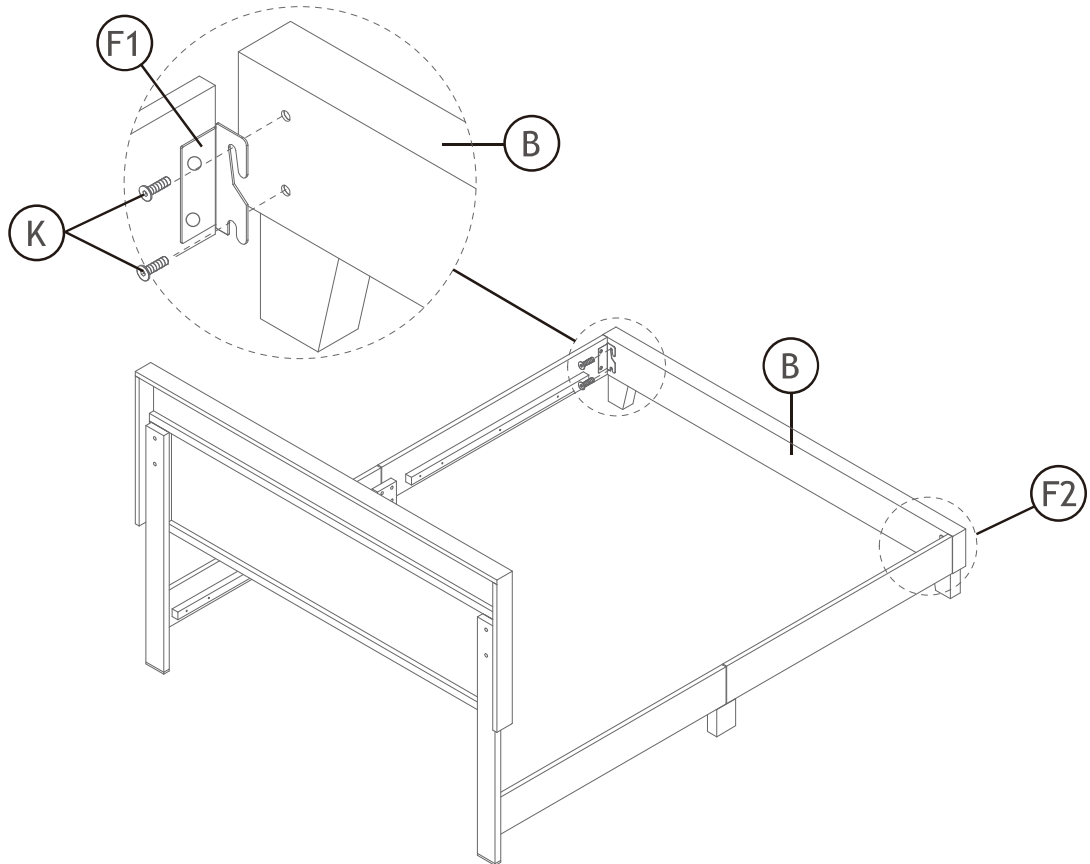
3



4



5



6

