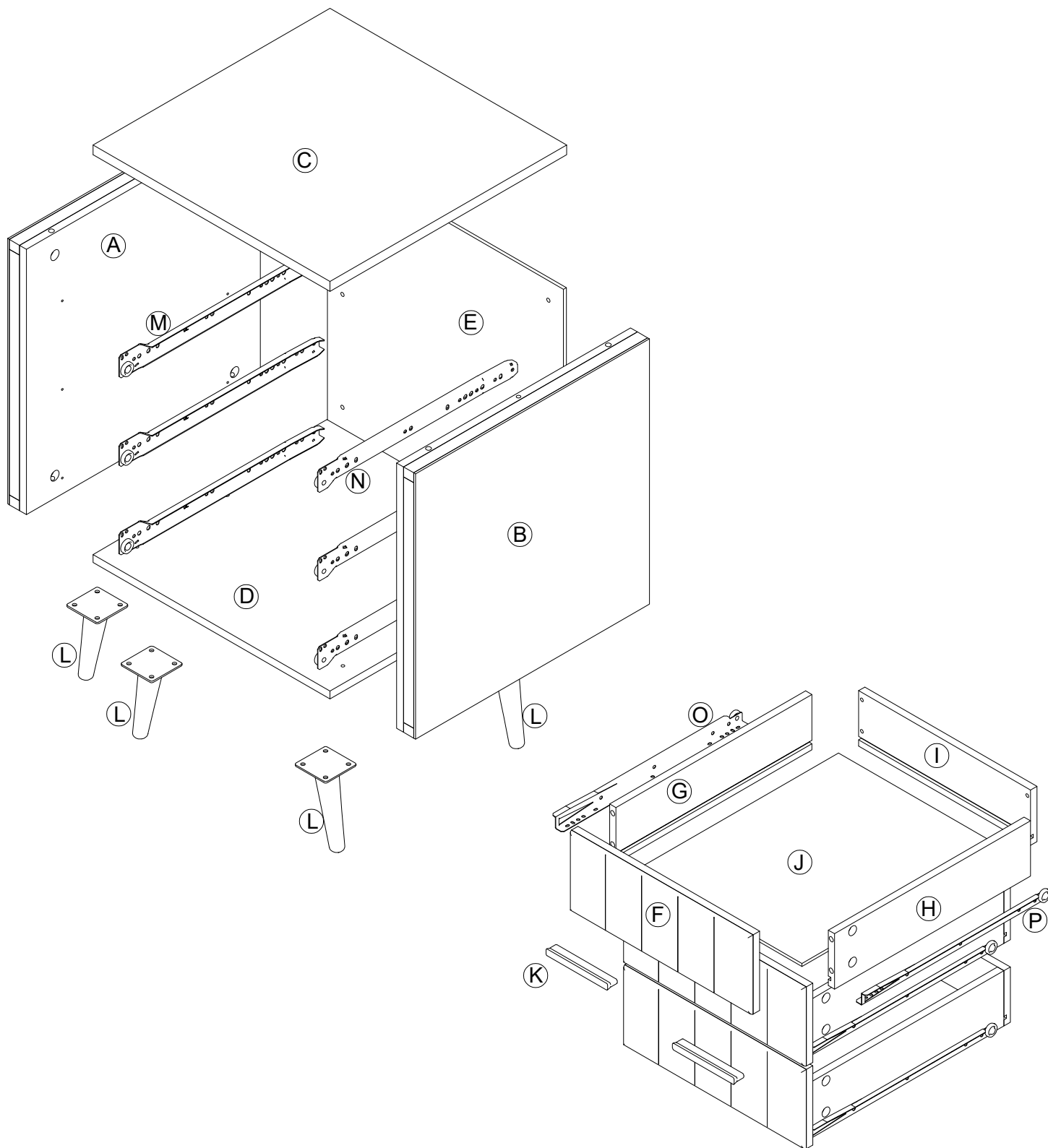


---

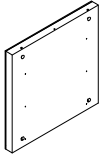
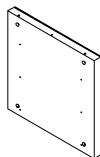
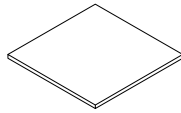
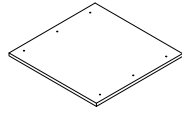
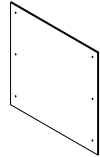
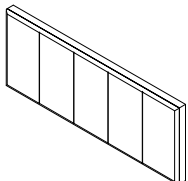
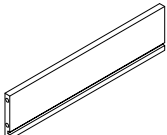
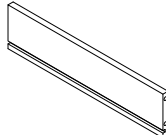
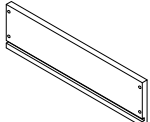
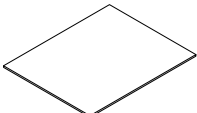

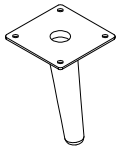

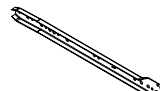
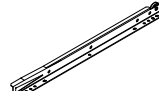
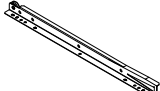
**ASSEMBLY INSTRUCTIONS**  
**INSTRUCTIONS DE MONTAGE**







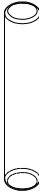



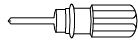
# ASSEMBLY INSTRUCTIONS INSTRUCTIONS DE MONTAGE



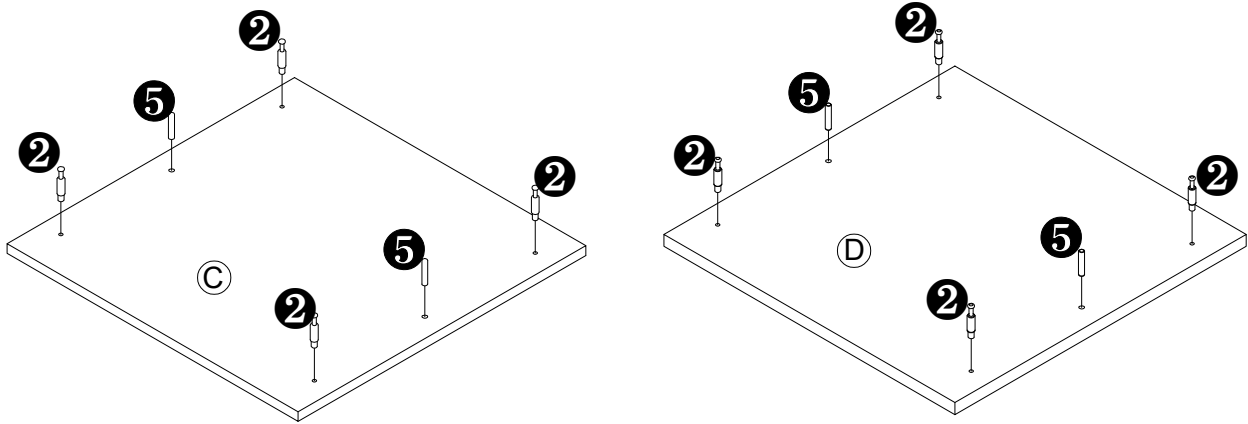
## Part List Liste de pièces



<b>(A)</b>  1PC	<b>(B)</b>  1PC	<b>(C)</b>  1PC	<b>(D)</b>  1PC	<b>(E)</b>  1PC
<b>(F)</b>  3PCS	<b>(G)</b>  3PCS	<b>(H)</b>  3PCS	<b>(I)</b>  3PCS	<b>(J)</b>  3PCS
<b>(K)</b>  3PCS	<b>(L)</b>  4PCS	<b>(M)</b>  3PCS	<b>(N)</b>  3PCS	<b>(O)</b>  3PCS
<b>(P)</b>  3PCS				

## Hardware List Liste de matériel

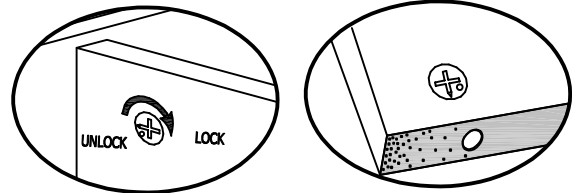
<b>1</b>  M4*16    6PCS	<b>2</b>  M6*40    20PCS	<b>3</b>  Ø15*10    20PCS	<b>4</b>  M4*12    40PCS	<b>5</b>  φ6*30    4PCS
<b>6</b>  M5*30    18PCS	<b>7</b>  4*80    1PC	<b>8</b>  3*80    1PC	<b>9</b>  105    1PC	

1

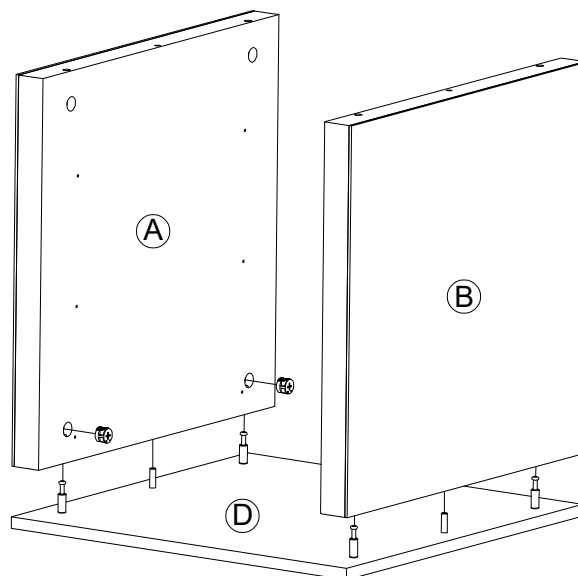
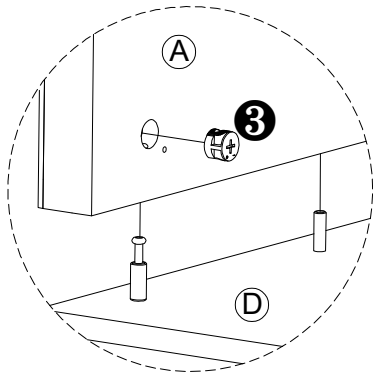



<b>2</b>	 M6*40	8PCS
<b>5</b>	 Ø6*30	4PCS

2

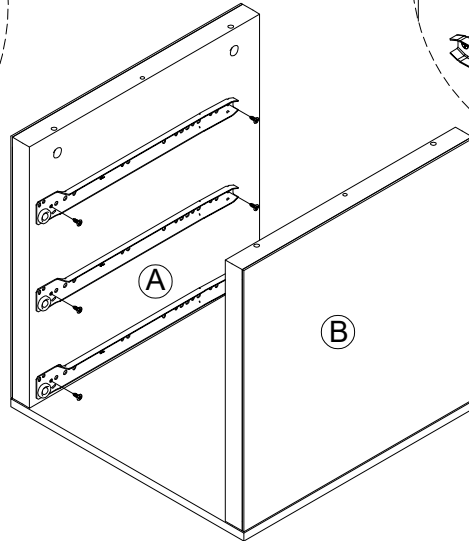
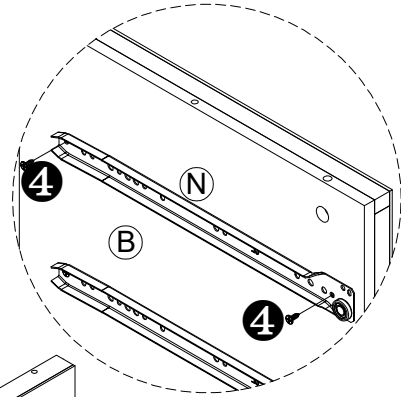
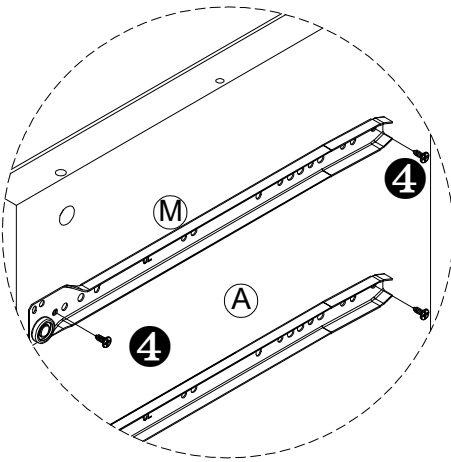


Proper orientation of CAM LOCK  
Orientation appropriée du verrouillage de came

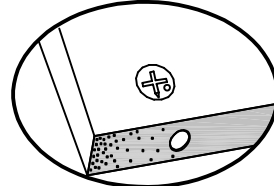
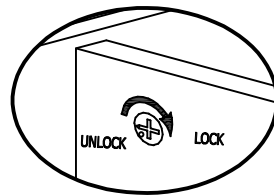
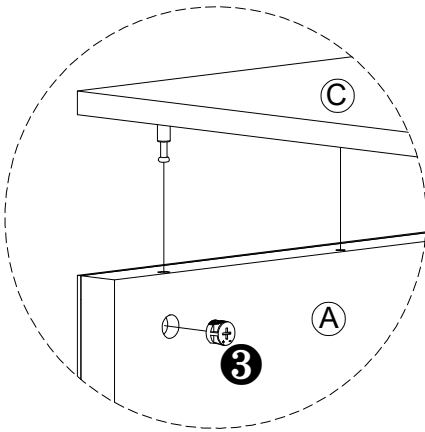


<b>3</b>	 Ø15*10	4PCS
----------	---	------

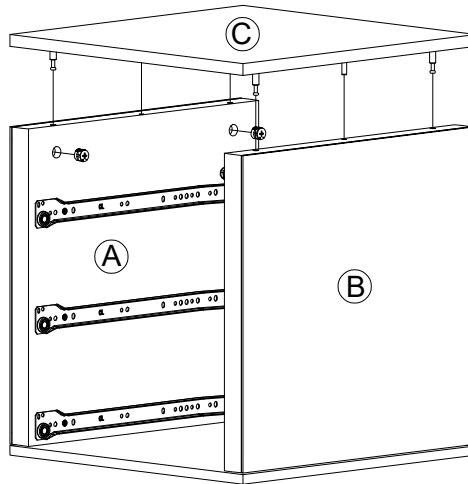
3

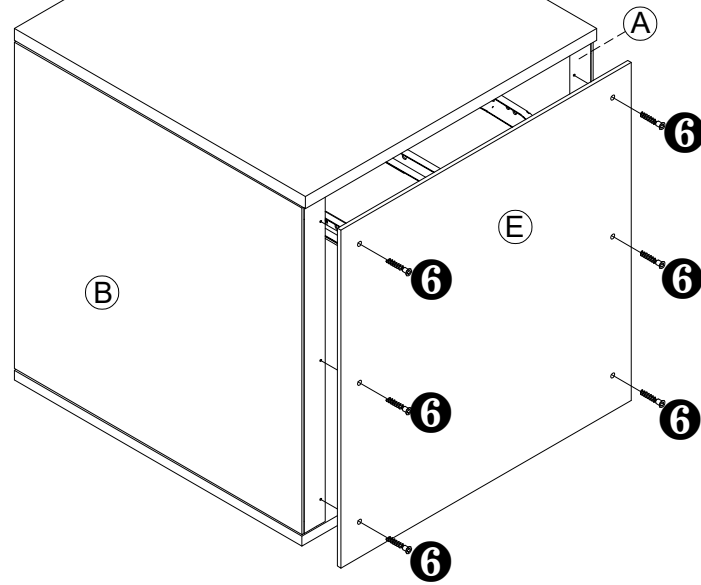


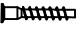
4

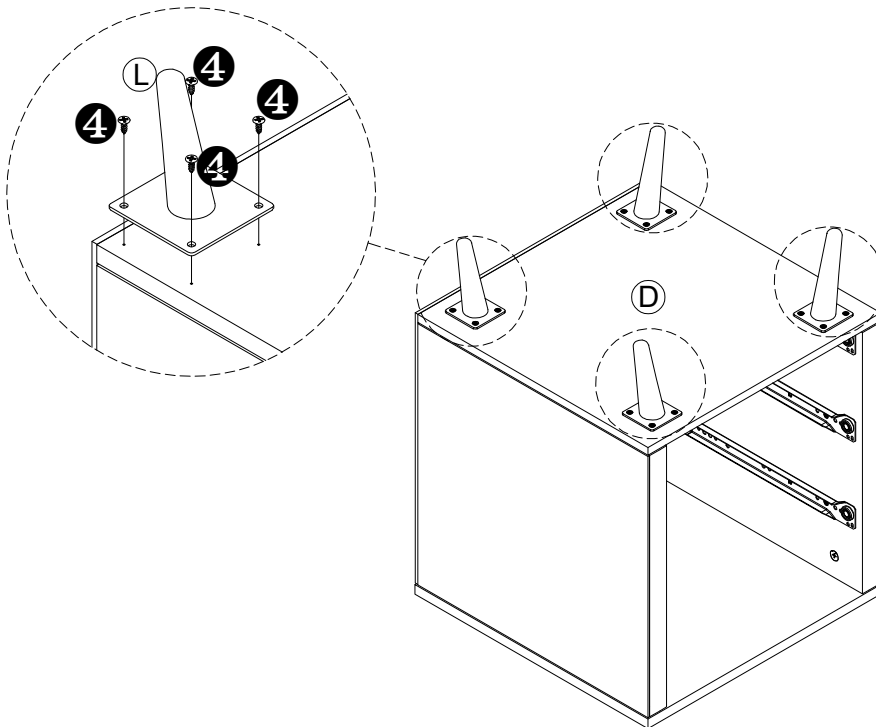



Proper orientation of CAM LOCK  
Orientation appropriée du verrouillage de came

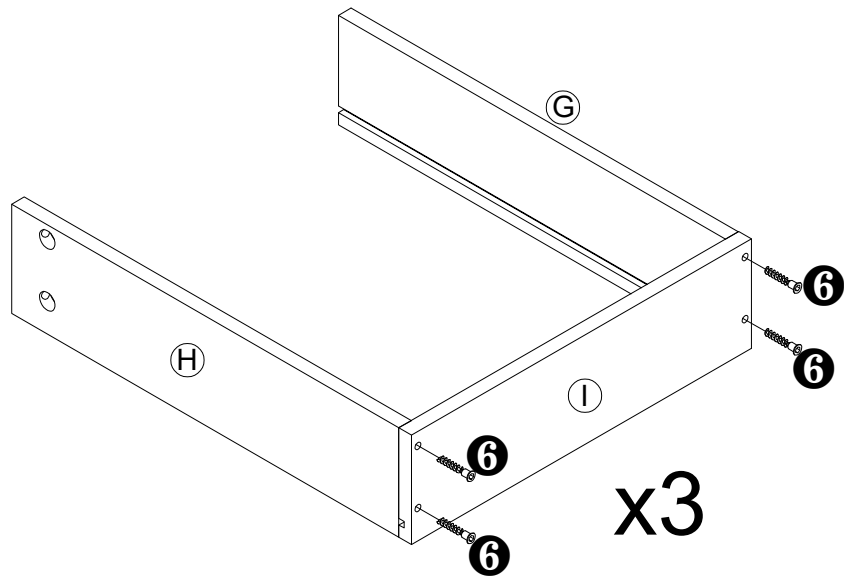


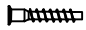


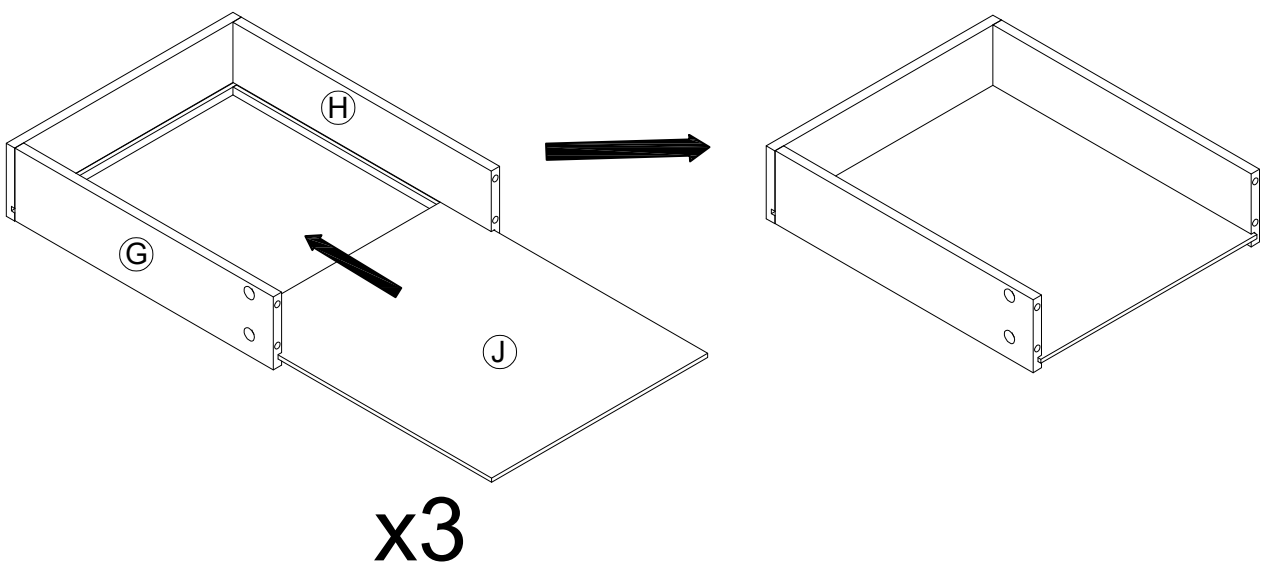
<b>6</b>		6PCS
	M5*30	

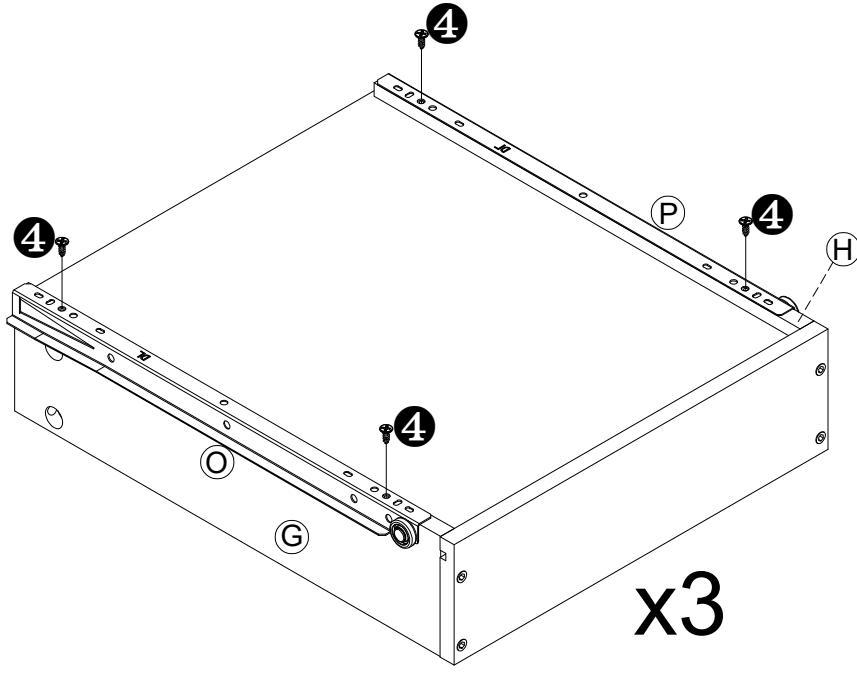


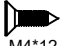
<b>4</b>		16PCS
	M4*12	

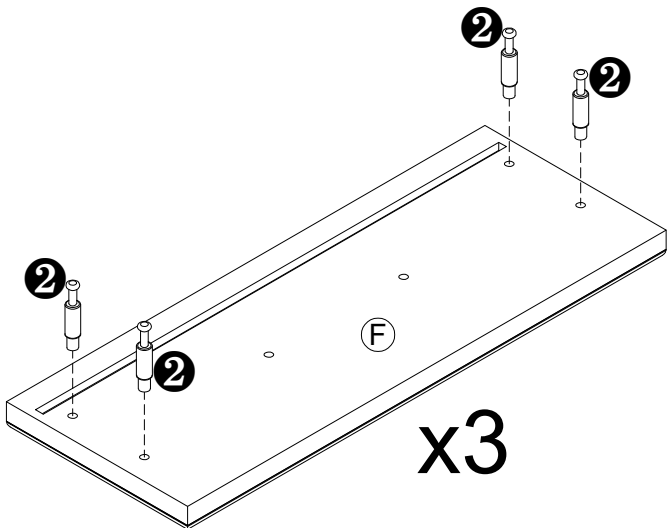


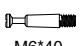
<b>6</b>		12PCS
	M5*30	

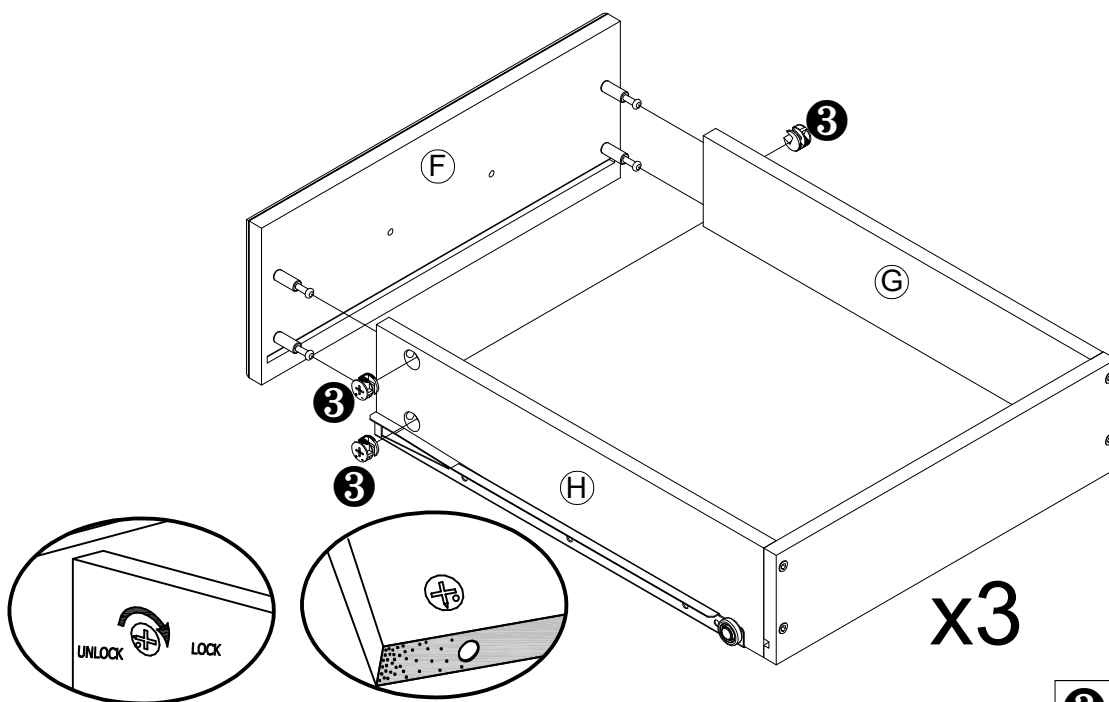




<b>4</b>	 M4*12	12PCS
----------	--	-------



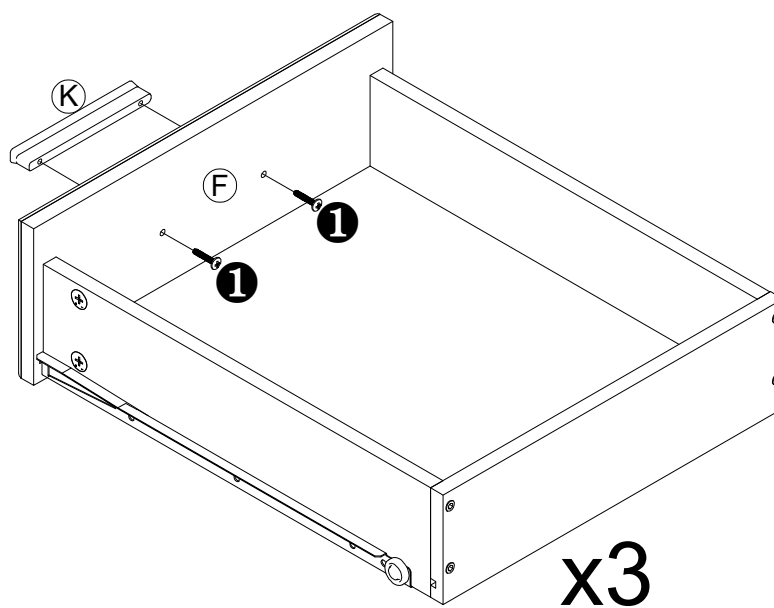
<b>2</b>	 M6*40	12PCS
----------	--	-------




Proper orientation of CAM LOCK  
Orientation appropriée du verrouillage de came

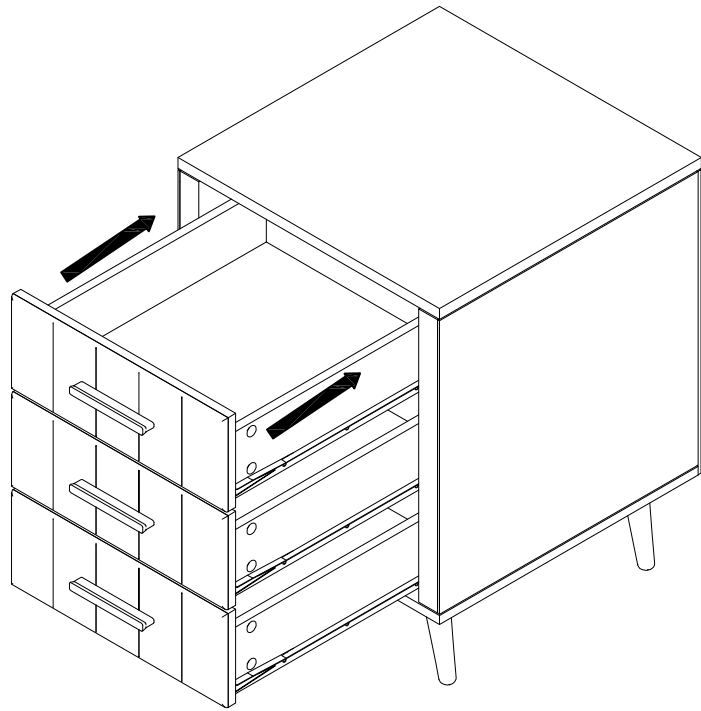
x3

<b>3</b>	 Ø15*10	12PCS
----------	---	-------



x3

<b>1</b>	 M4*16	6PCS
----------	--	------



Finish  
Finition

