

ASSEMBLY INSTRUCTION

MODEL NUMBER:903-1T/F/Q

NOTES:

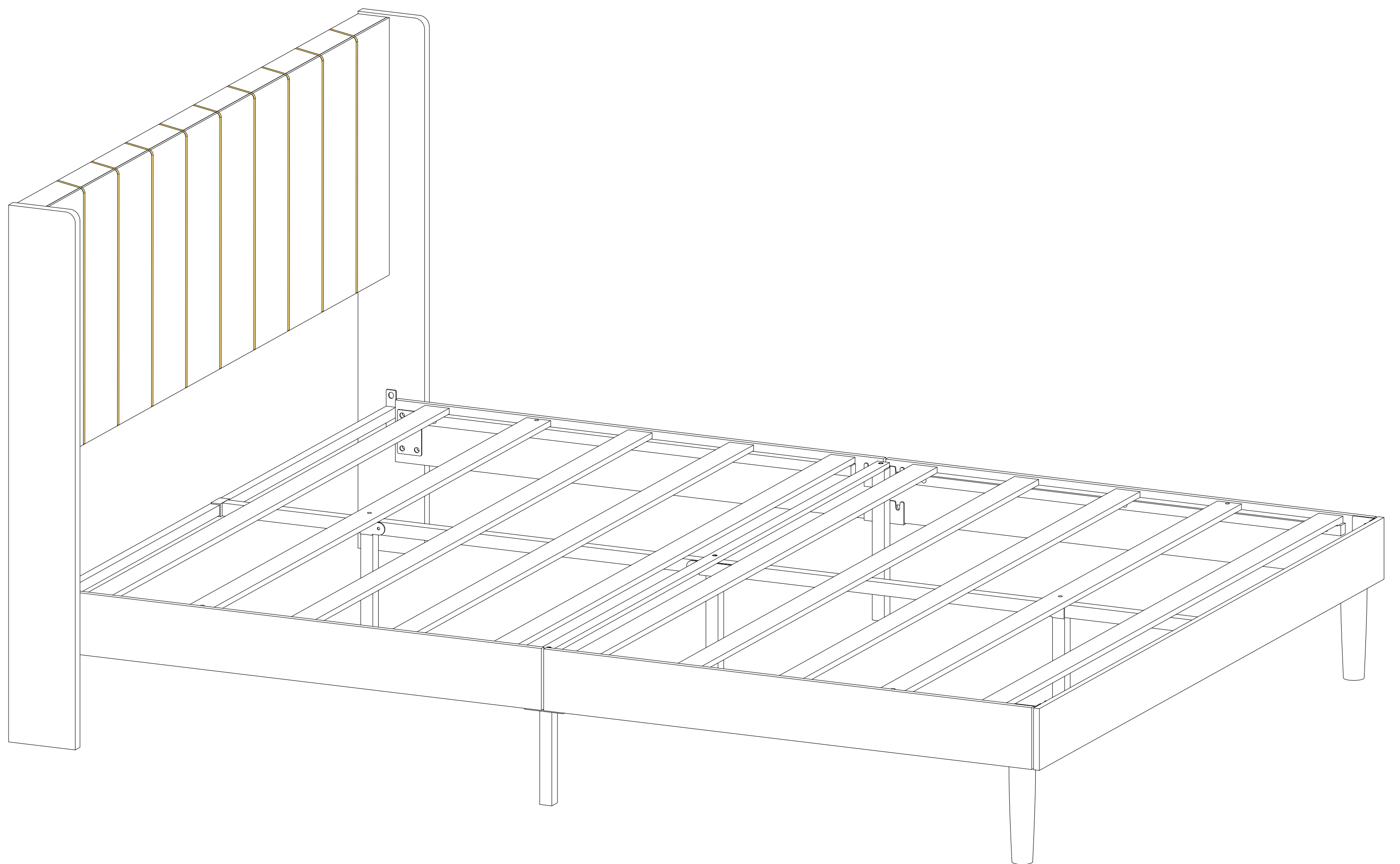
- Do not skip any step.
- Do not fully tight screws until all the bed parts are assembled.

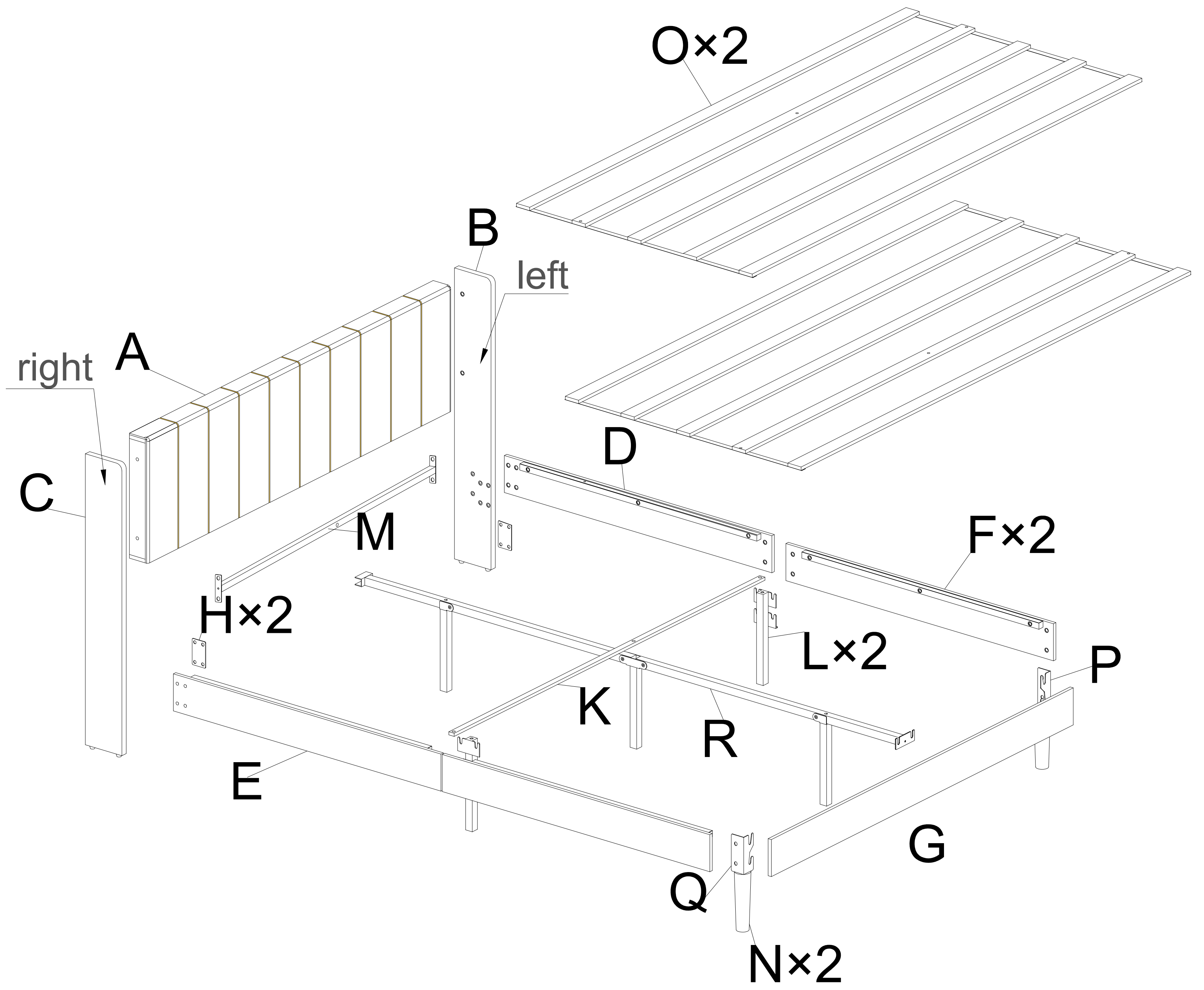
WARNING:

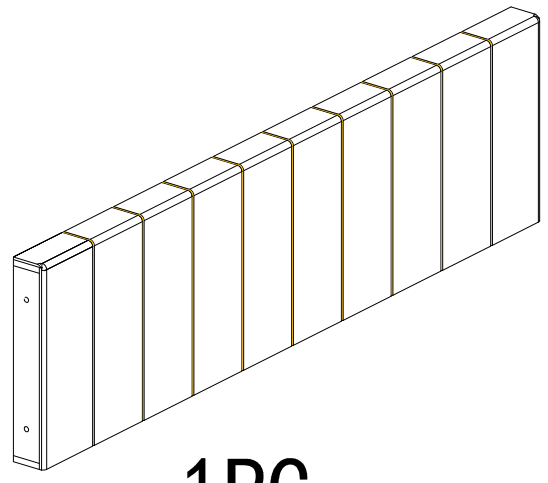
- WARNIND FOR YOUNG CHILDREN-This product contains small components,please ensure that they are kept away from small children while assembling.

Warranty Information:

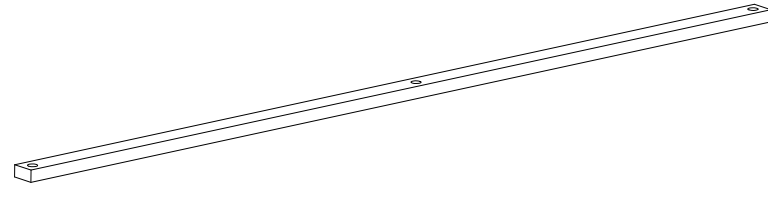
- We warranty this product to be free from defects in materials.If u have any query about bed,pls contact our after -sale support email: Pakkahome@outlook.com





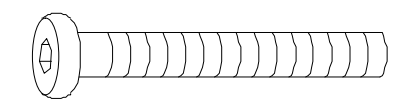
A

1PC

K

1PC

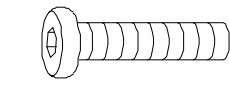
aa



M6*55

4

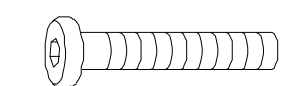
bb



M8x20

4

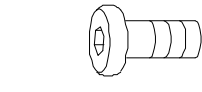
cc



M8x32

14

dd

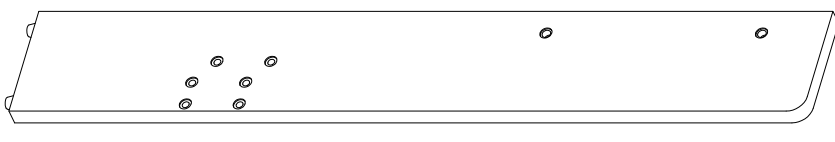


M8x15

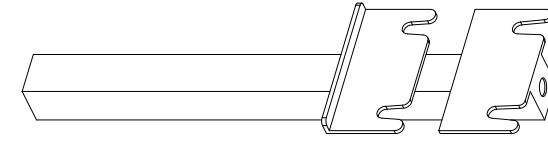
18

B**L**

left

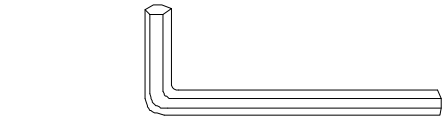


1PC



2PCS

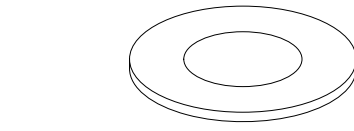
ee



5mm

1

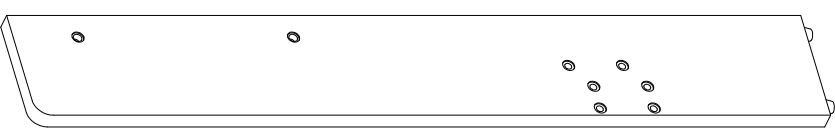
ff



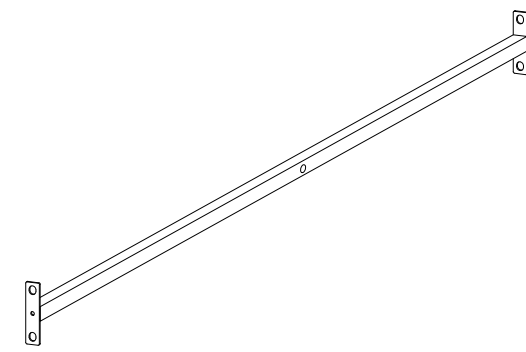
7

C**M**

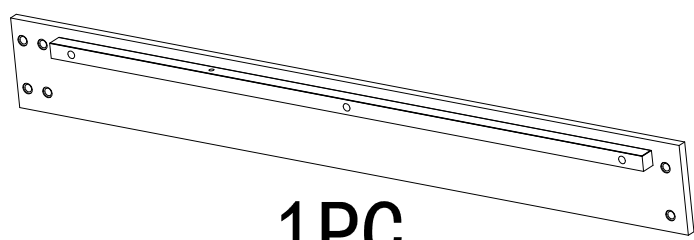
right



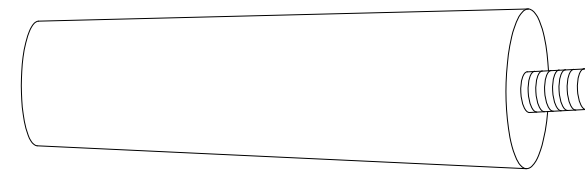
1PC



1PC

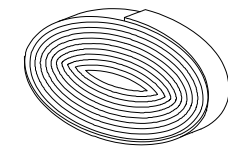
D**N**

1PC

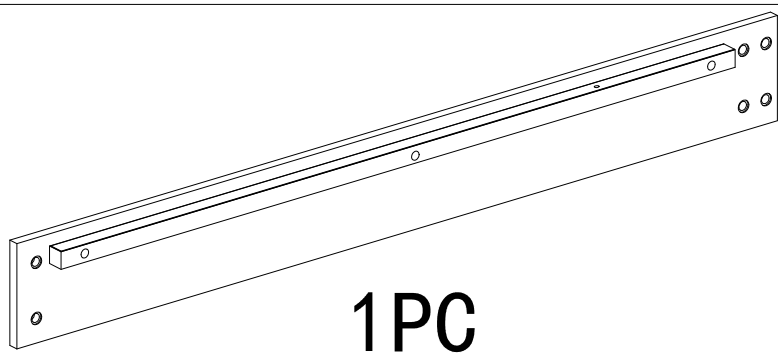


2PCS

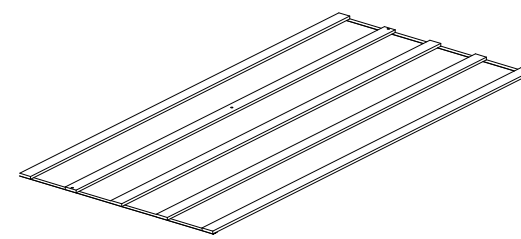
ii



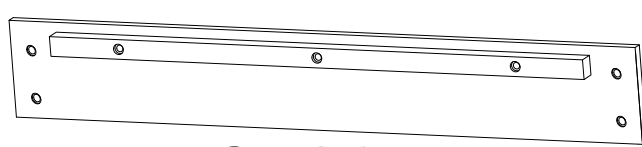
1

E**O**

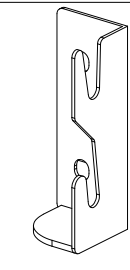
1PC



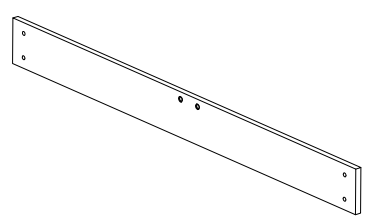
2PCS

F**P**

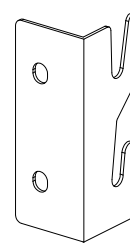
2PCS



1PC

G**Q**

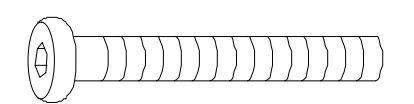
1PC



1PC

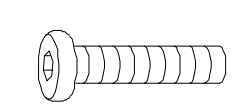
SPARE

aa



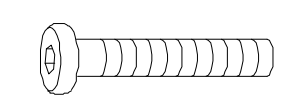
1

bb



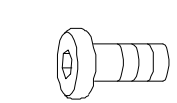
1

cc



1

dd

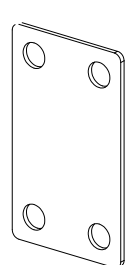


1

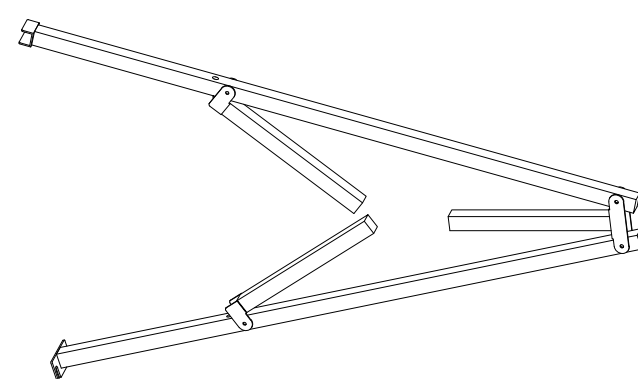
ff



1

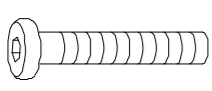

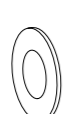
H**R**

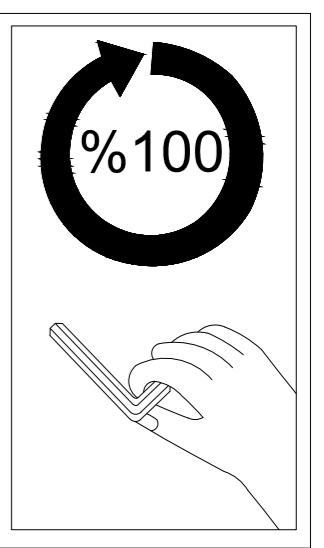
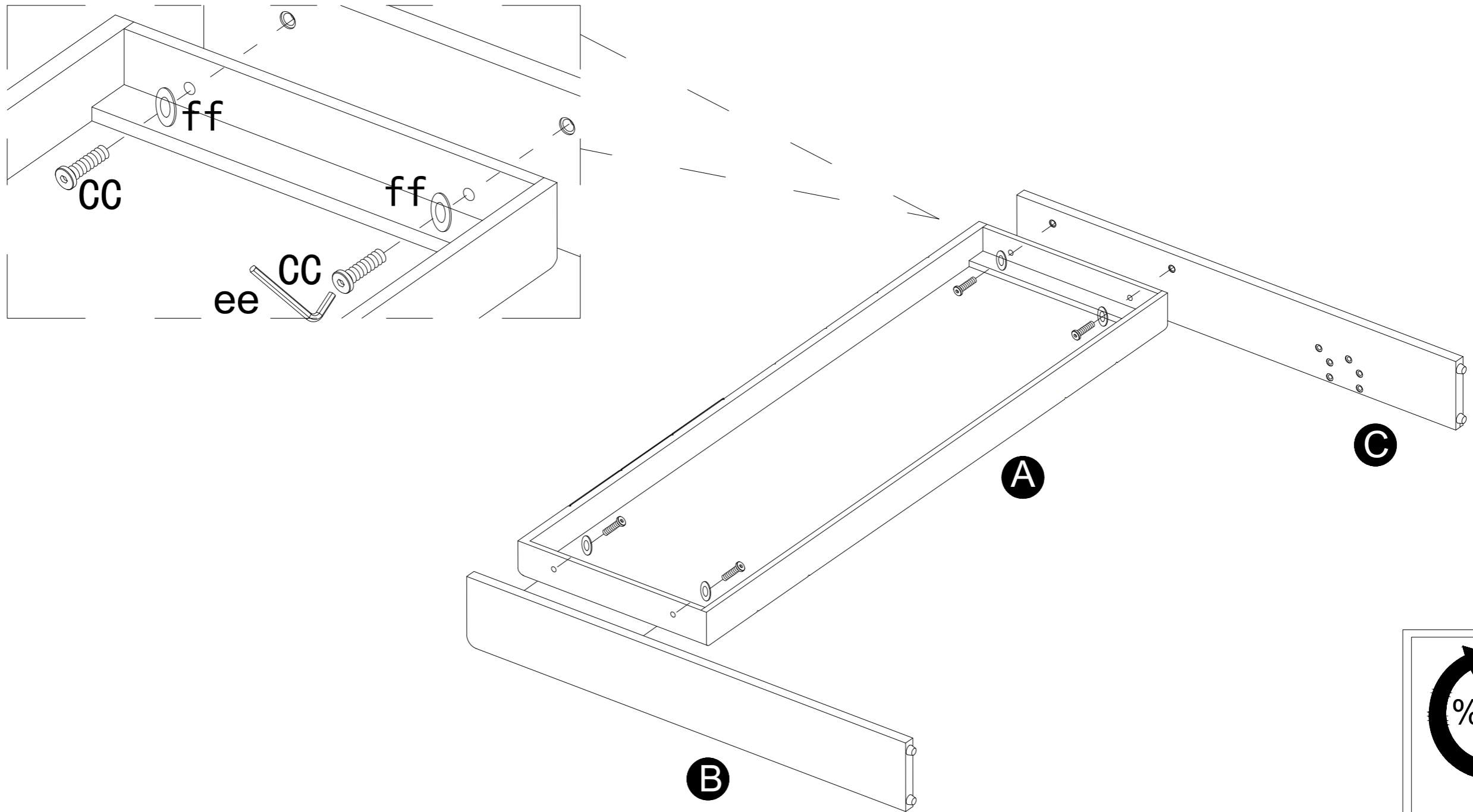
2PCS



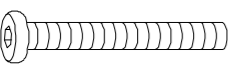

1PC

Step 1

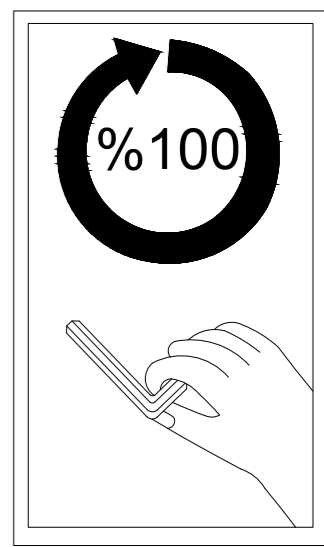
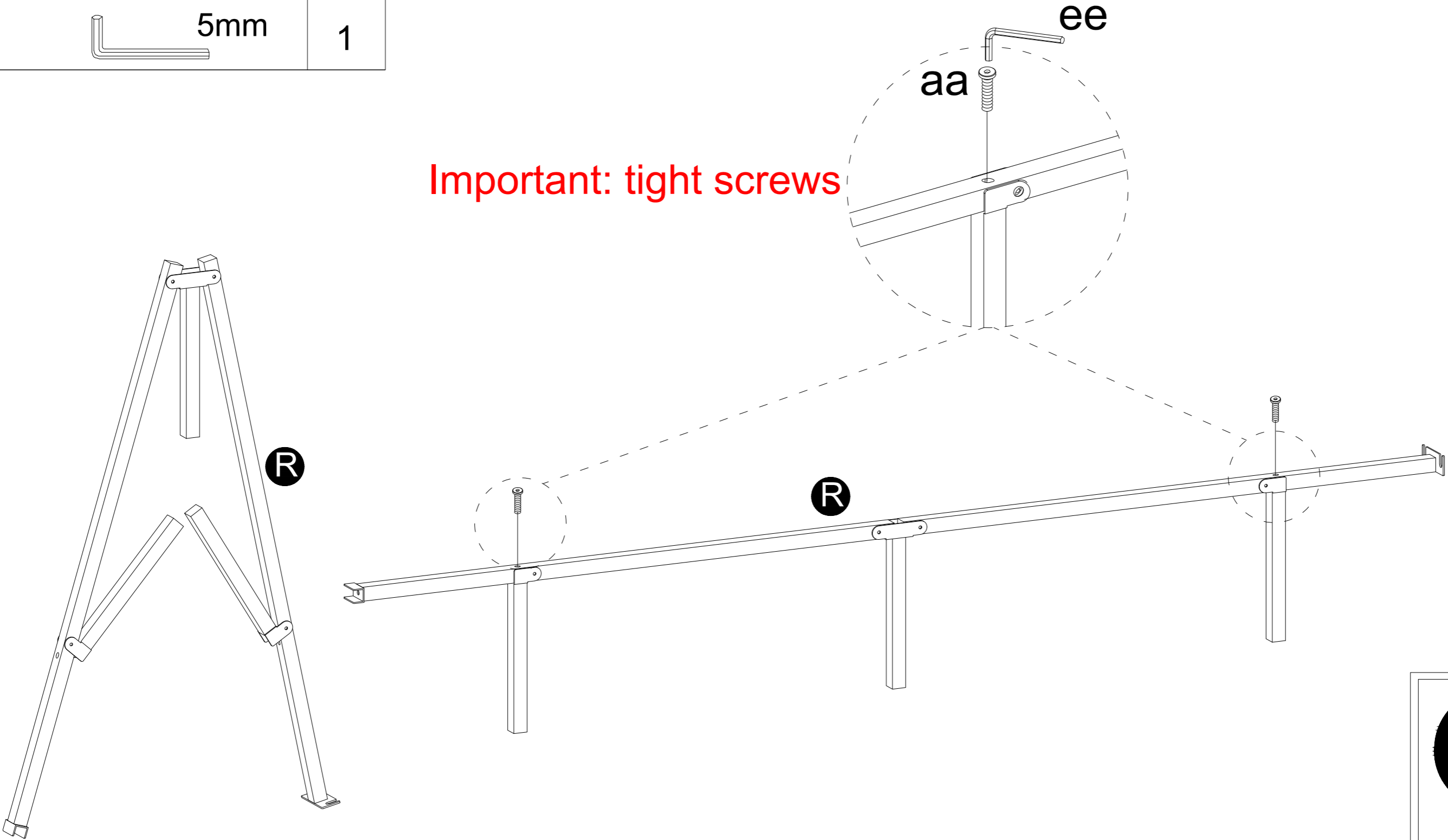
CC	 M8x32	4
ee	 5mm	1
ff		4



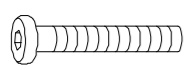
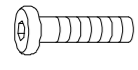


Step 2

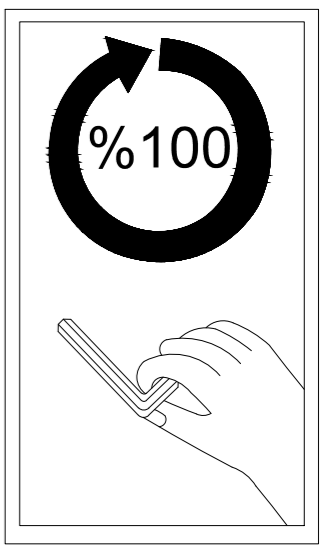
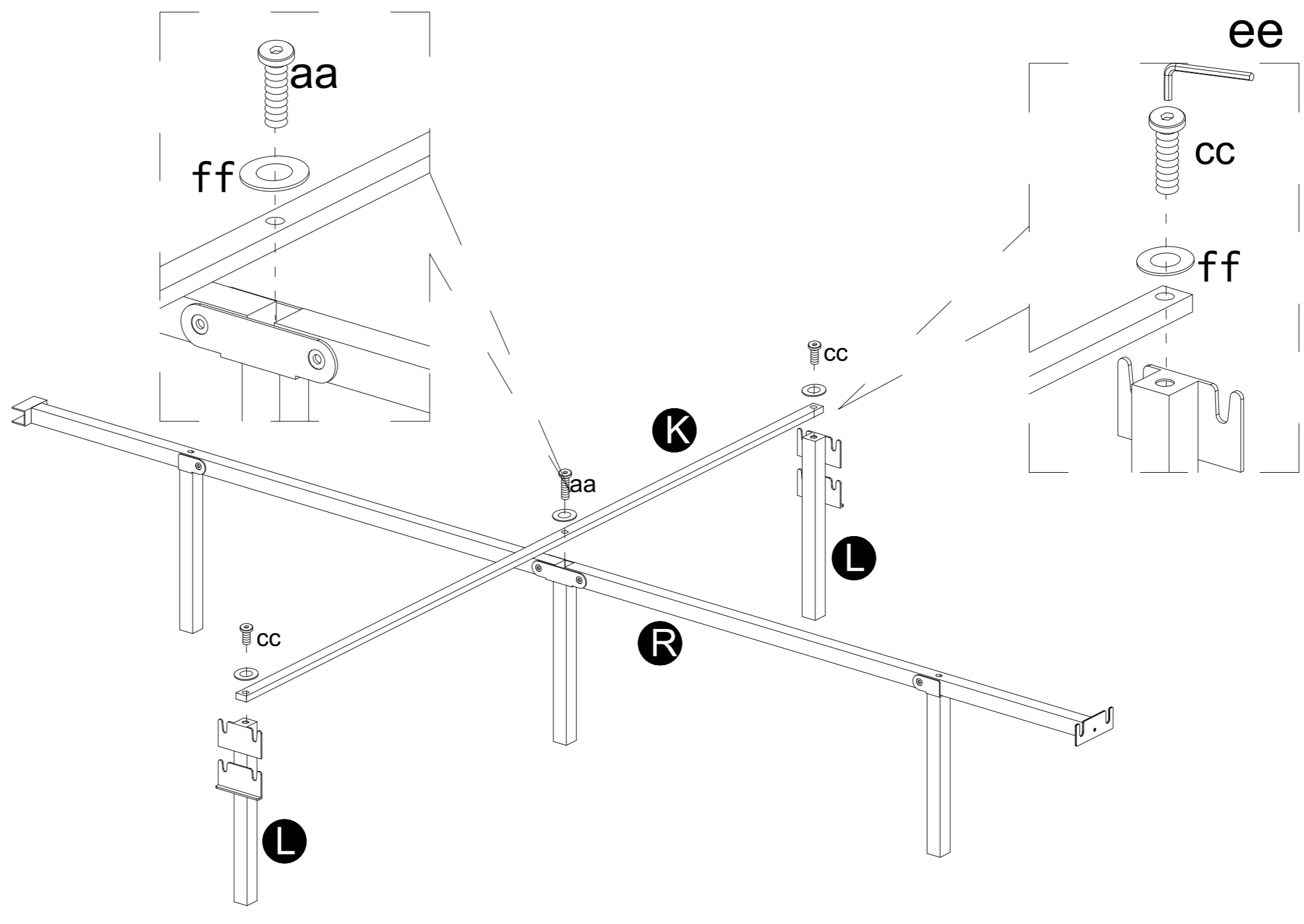
aa	 M6x55	2
ee	 5mm	1

Important: tight screws

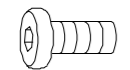



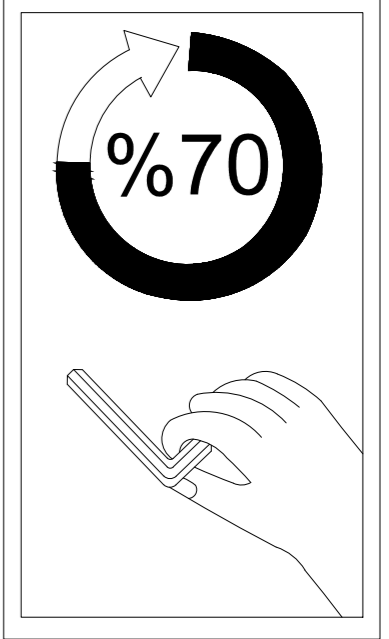
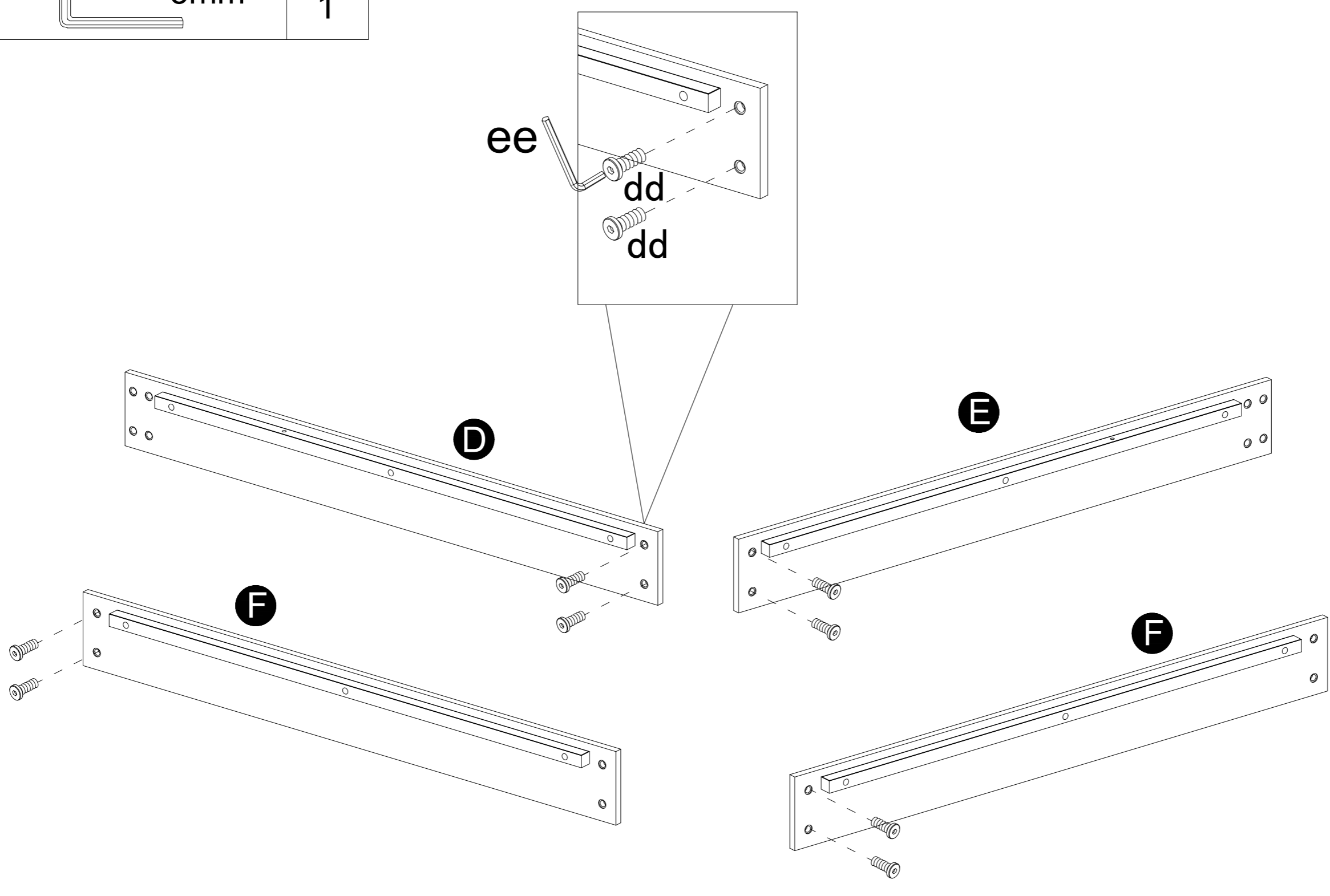
Step 3

aa		M6x55	1
cc		M8x32	2
ee		5mm	1
ff			3

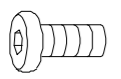



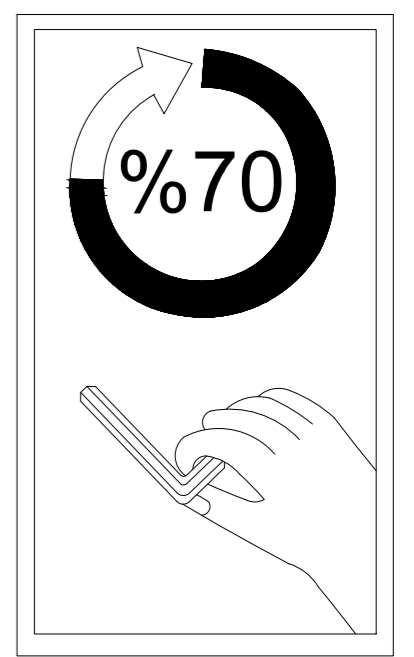
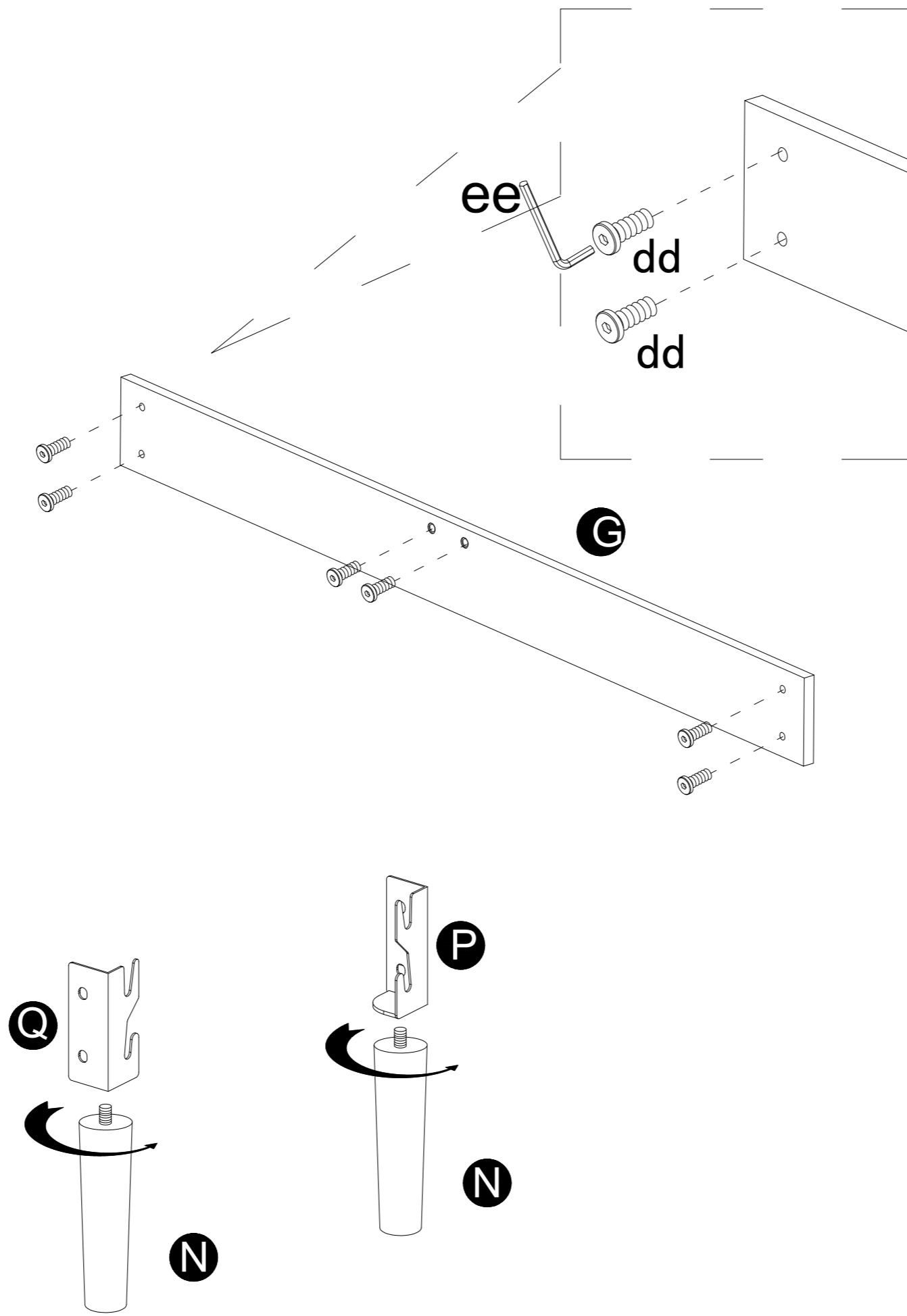
Step 4

dd		M8x15	8
ee		5mm	1

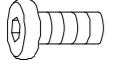
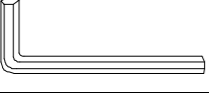


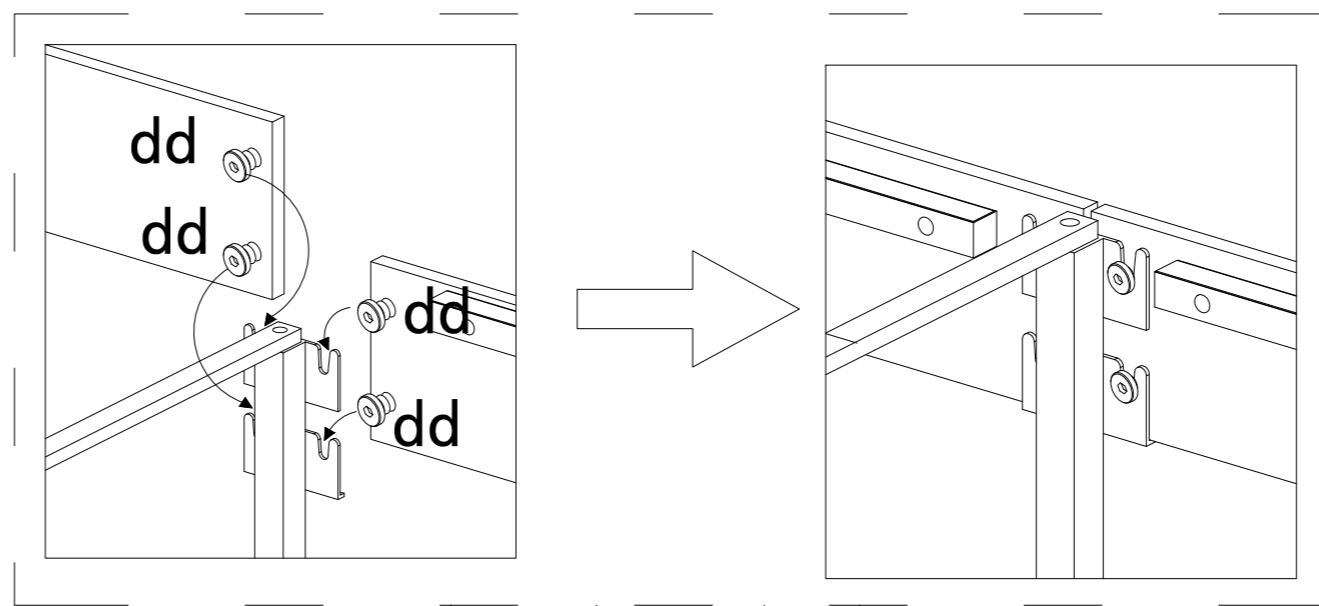
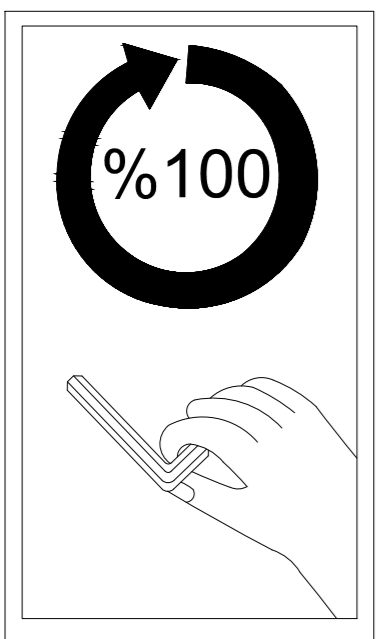
Step 5

dd		M8x15	6
ee		5mm	1

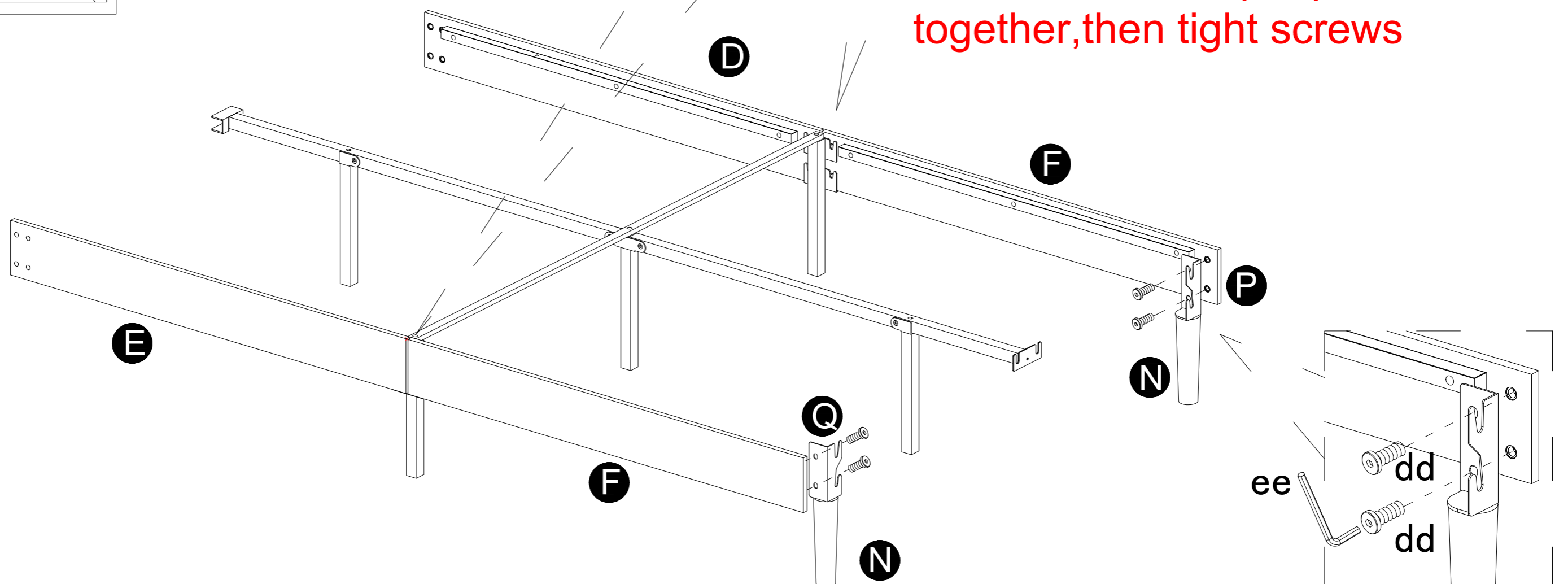


Step 6


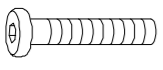
dd		M8x15	4
ee		5mm	1

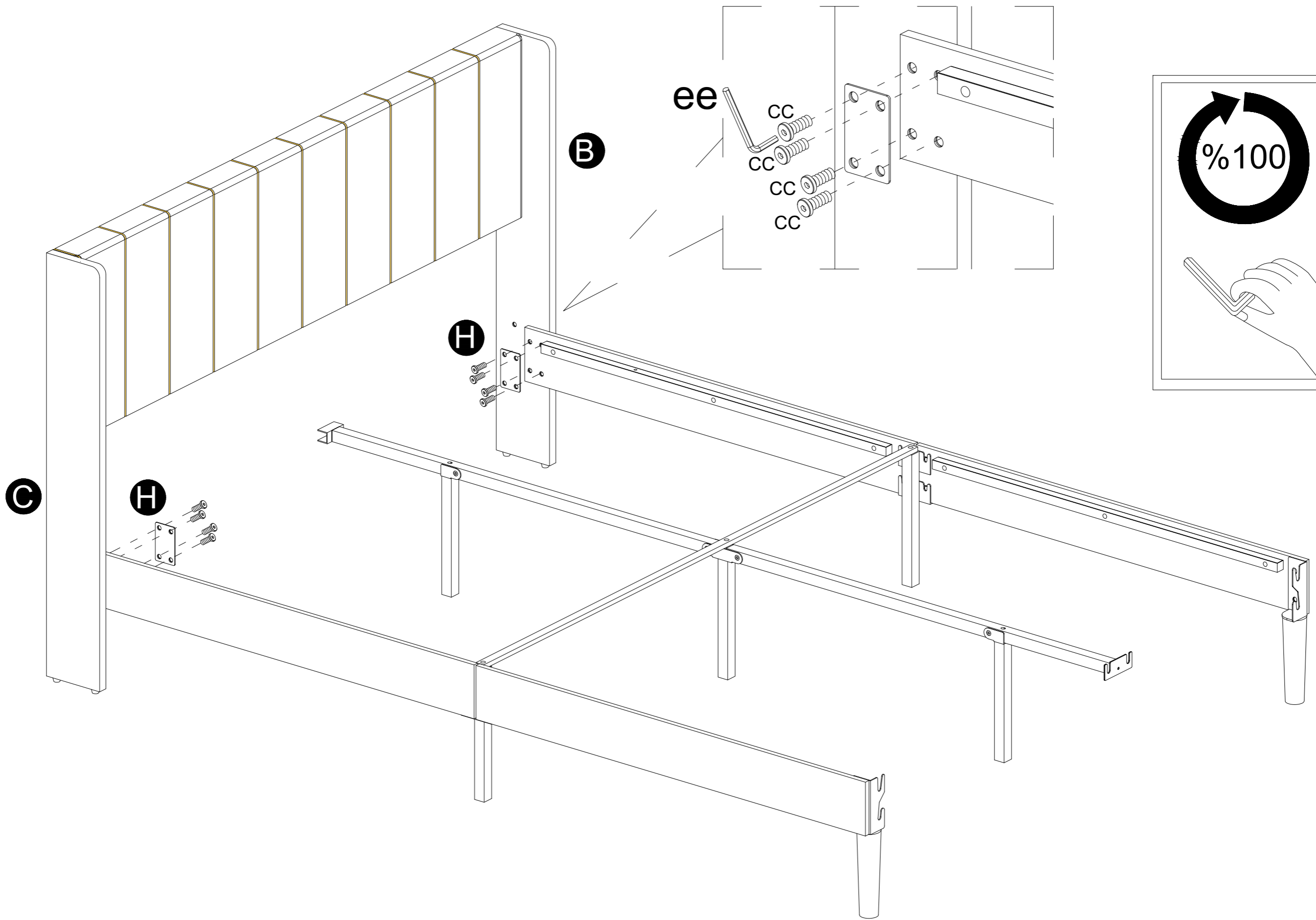


Release screws, put part together, then tight screws



Step 7

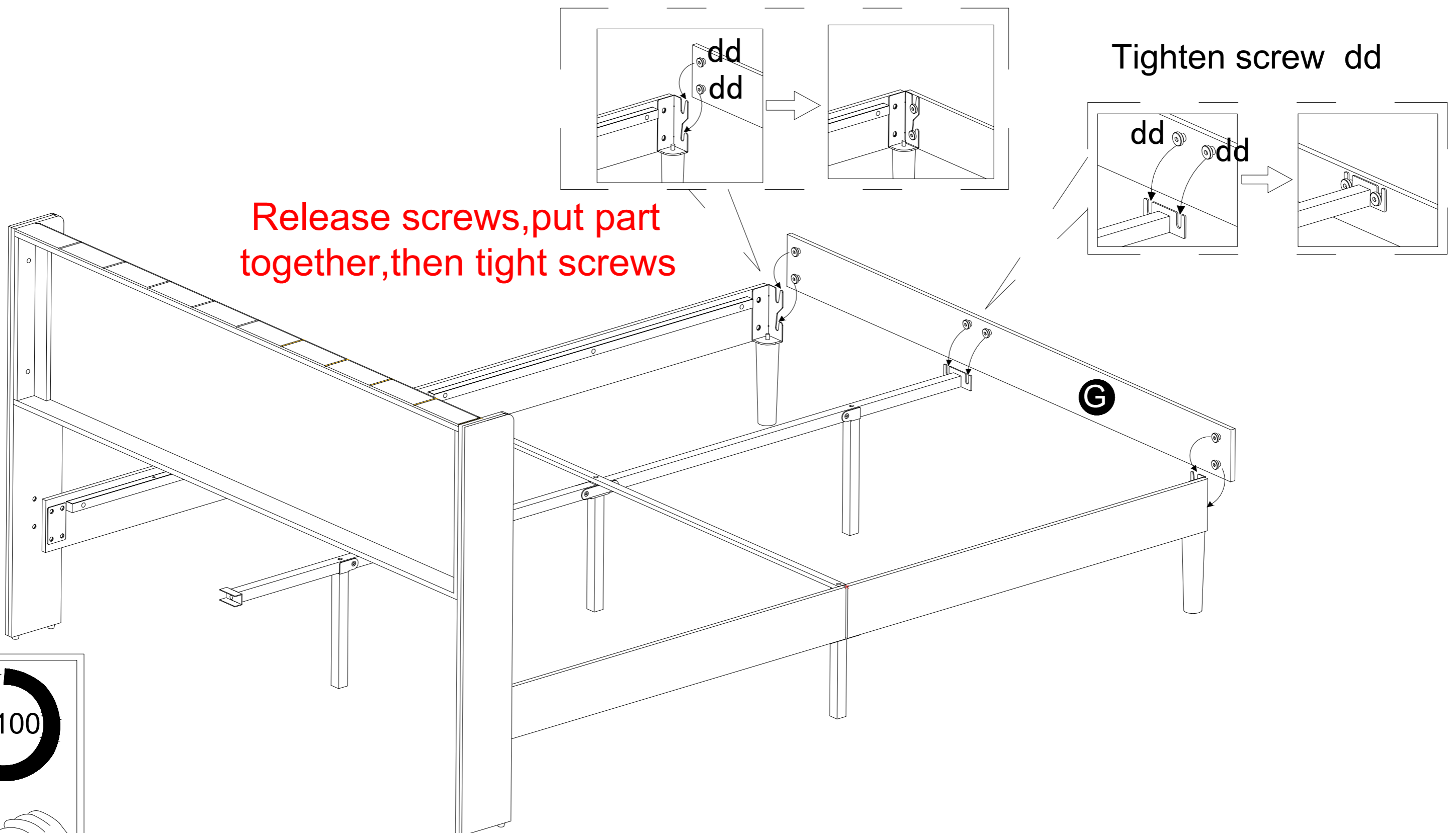
ee		5mm	1
cc		M8x32	8



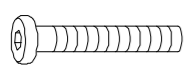
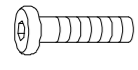

Step 8

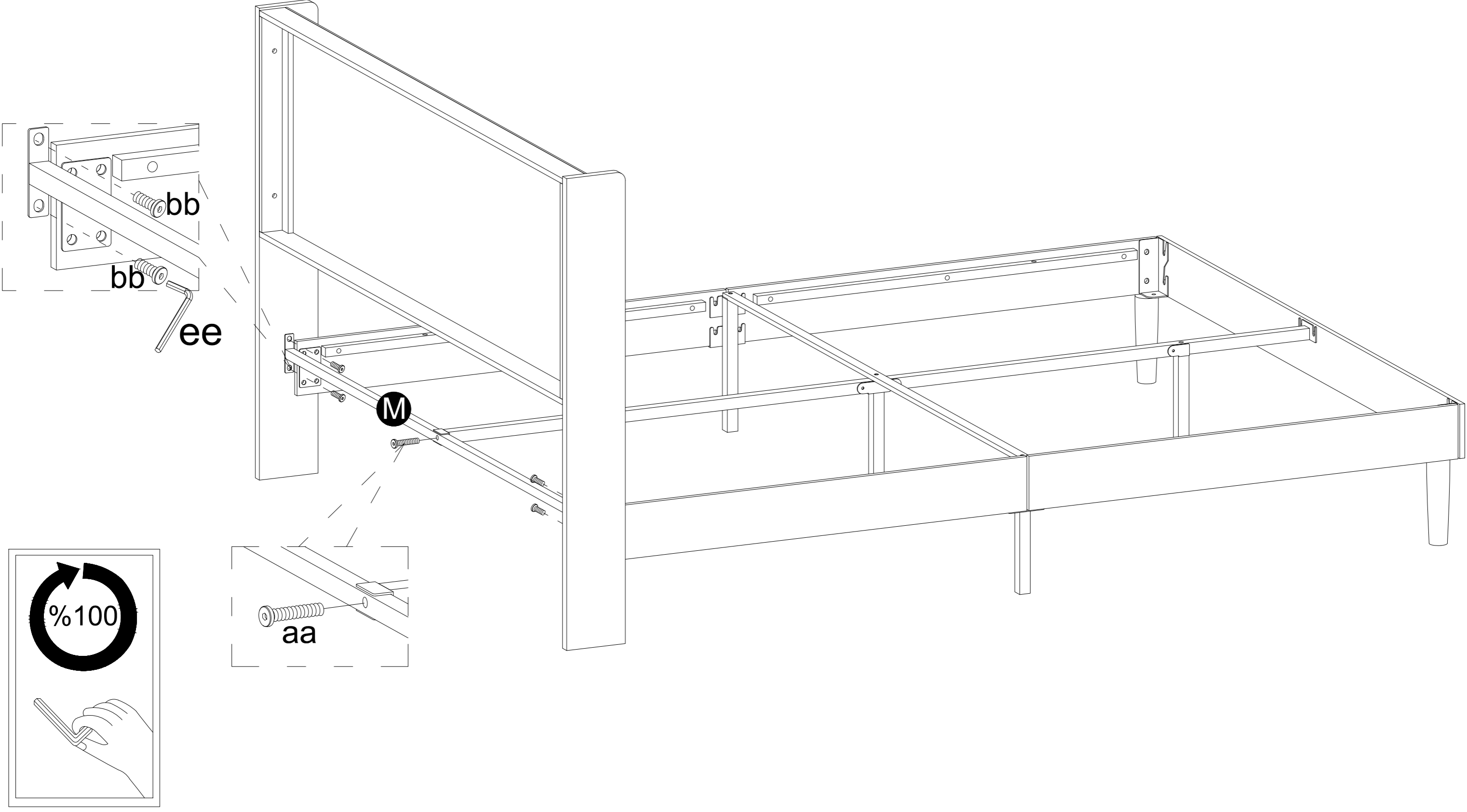
Release screws, put part together, then tight screws

Tighten screw dd




Step 9

aa		M6x55	1
bb		M8x20	4
ee		5mm	1



Step 10

ii			1
----	-------------------------------------------------------------------------------------	--	---

To prevent friction noise, unroll part ii and fit it on part R. the length of part ii can cut as you will.

