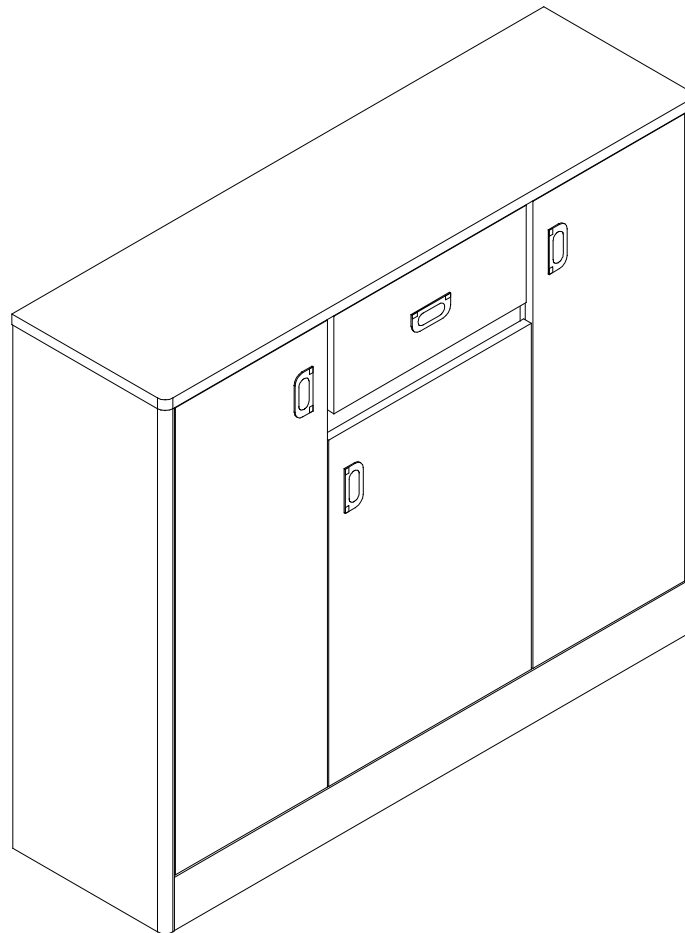


ASSEMBLY INSTRUCTION FOR ACME FURNITURE

MODEL#DN00742

Thank you for purchasing the quality product. Be sure to check all packing material carefully for small parts which may have come loose inside the carton during shipment. Separate, identify and count all parts and metal hardware. Compare with all parts list to be sure all parts are present. If any part(s) are missing or damaged, please contact your local furniture dealer. For efficient and speedy service, please indicate the model number and code letter of part(s) needed.

*****Do not fully tighten screws until fully assembled*****

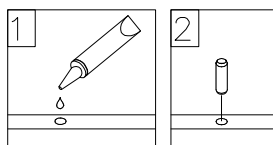


Attention:

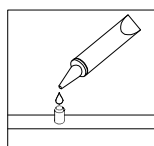
*****Some number parts listed on the instruction sheet may not be in parts bag as they may already be assembled. Carefully check parts and packing materials prior to ordering replacements.**

General Assembly Guidelines

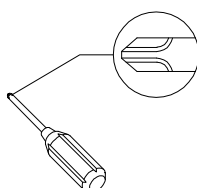
- I. Ensure that all parts and hardware are available before beginning assembly.
- II. Follow each step carefully to ensure the proper assembly of this product.
- III. Two people are recommended for ease in the assembly of this product.
- IV. The three main types of hardware used to assemble this product are: wood dowels, screws and bolts.
- V. The provided glue is to secure wood dowels in place. When first inserting dowels, locate the appropriate hole for the dowel, place a small amount of glue in the hole and insert the dowel. Wipe away excess glue immediately.



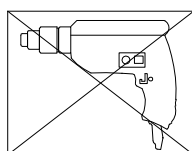
In future assembly steps when dowels are necessary to attach assembly parts together, place a small amount of glue on the end of the dowel before attaching parts together. Wipe away excess glue immediately.



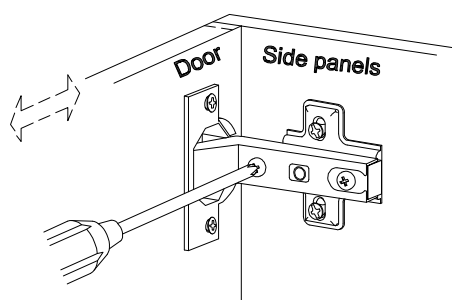
- VI. A Phillips head screwdriver is required for the assembly of this product.



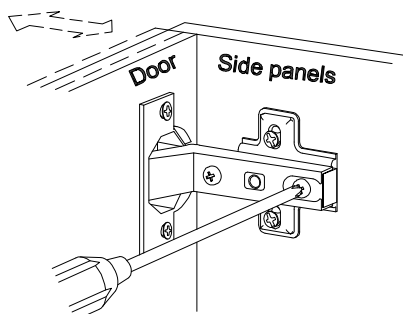
- VII. Power tools should not be used to assemble this product.



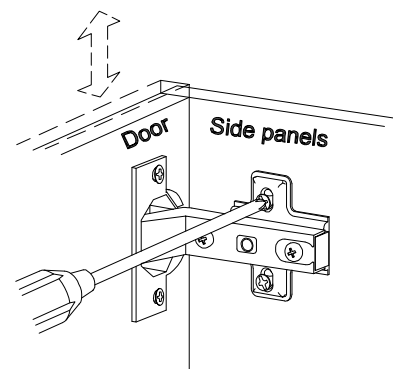
- VIII. Concealed hinges are three-way adjustable.



Horizontal
by screw adjustment

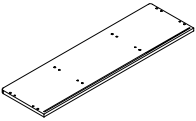
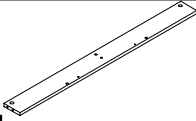

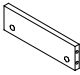

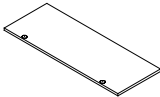

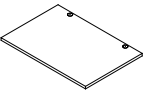

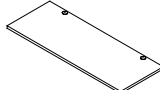

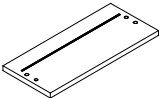
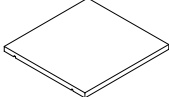
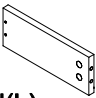
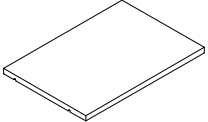
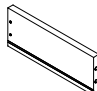
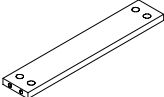
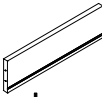

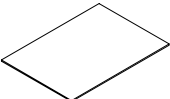

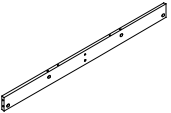


In-and-Out
by loosening the hinge-arm
mounting screw or via cam
adjustment


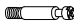





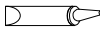

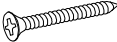








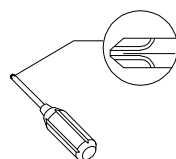
Vertical
Via slots in the mounting
plate or via cam adjustment

COMPONENT PARTS

DESCRIPTION	PART NAME	QTY(PCS)	DESCRIPTION	PART NAME	QTY(PCS)
①	Table Top 	1	⑬	Bottom Rail 	1
②	Table Bottom 	1	⑭	Support Panel 	1
③	Left side pane 	1	⑮	Door 	1
④	Right side panel 	1	⑯	Door 	1
⑤	Left middle side panel 	1	⑰	Door 	1
⑥	Right middle side panel 	1	⑱	Drawer Front Panel 	1
⑦	Shelf 	4	⑲	Drawer Side Panel(L) 	1
⑧	Shelf 	1	⑳	Drawer Side Panel(R) 	1
⑨	Support Panel 	1	㉑	Drawer Back Panel 	1
⑩	Back plane 	1	㉒	Drawer Bottom Panel 	1
⑪	Back plane 	2			
⑫	Bottom Rail 	1			

Hardware List

A		Ø8x30mm	Wooden dowel	26 pcs
B		Ø6x35mm	Cam bolt	30 pcs
C		Ø15x11mm	Cam lock	30 pcs
D			Sticker	12 pcs
E		Ø6x50mm	Screw	4 pcs
F			Hinge	4 pcs
G		4mm	Allen Key	1 pcs
H			Glue tube	1 pcs
I			Handle	4 pcs
J		Ø4x30mm	Screw	4 pcs
K		Ø3.5x14mm	Screw	40 pcs
L			Drawer slider	1 pcs
M			Plastic wedge	12 pcs
N		Ø3x17mm	Screw	12 pcs
O		Ø8x5x16mm	Shelf support pin	20 pcs
P			Hinge	2 pcs

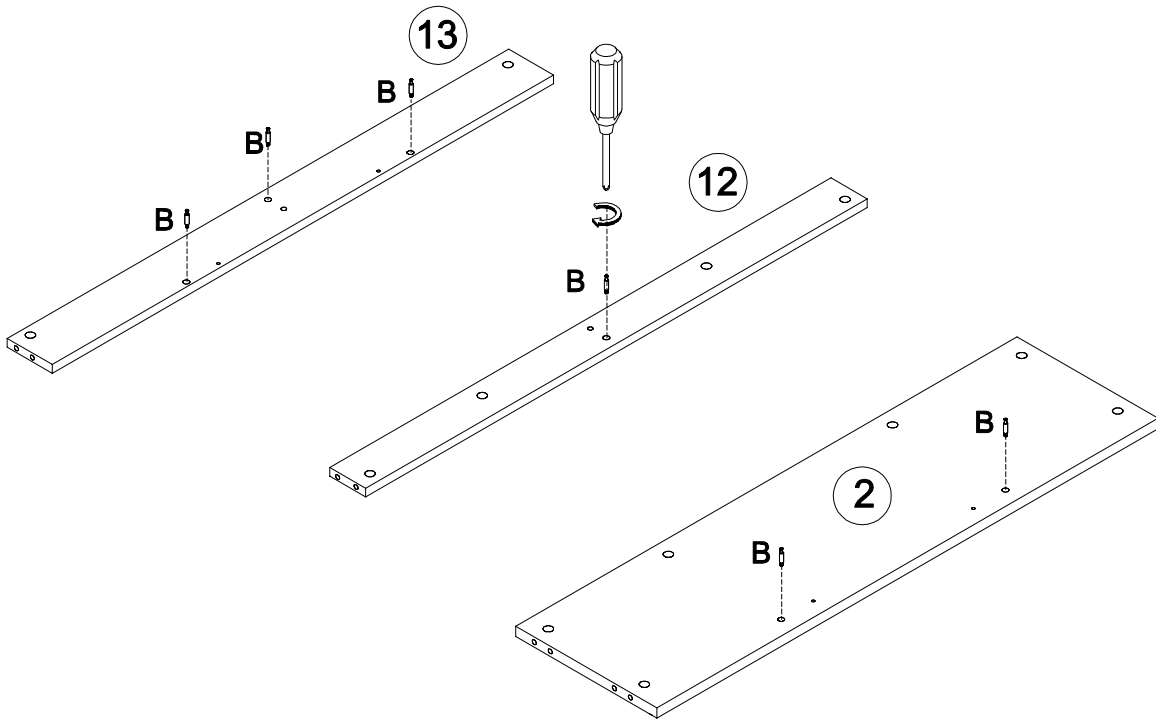


Philips head screwdriver required for assembly
(not included)

*The hardware quantities listed above are required for proper assembly.
Some extra hardware may also have been included.*

Step 1

B x 6

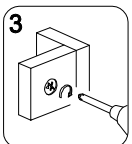
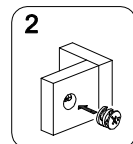
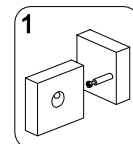
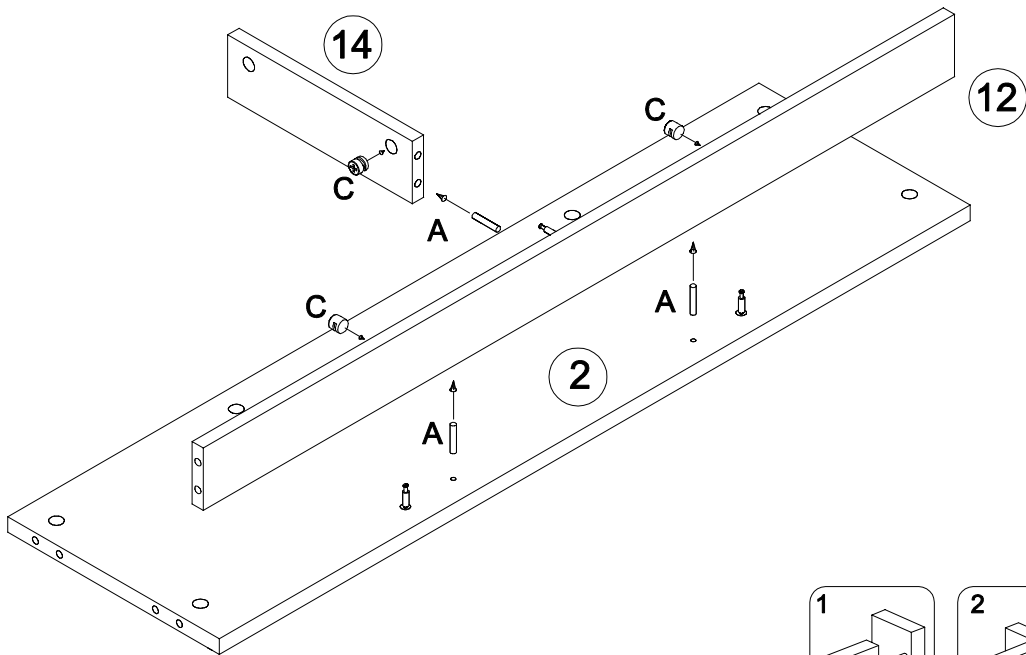


Step 2



A x 3

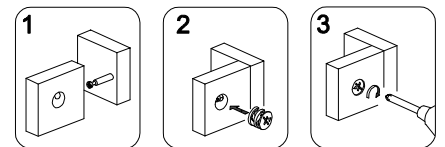
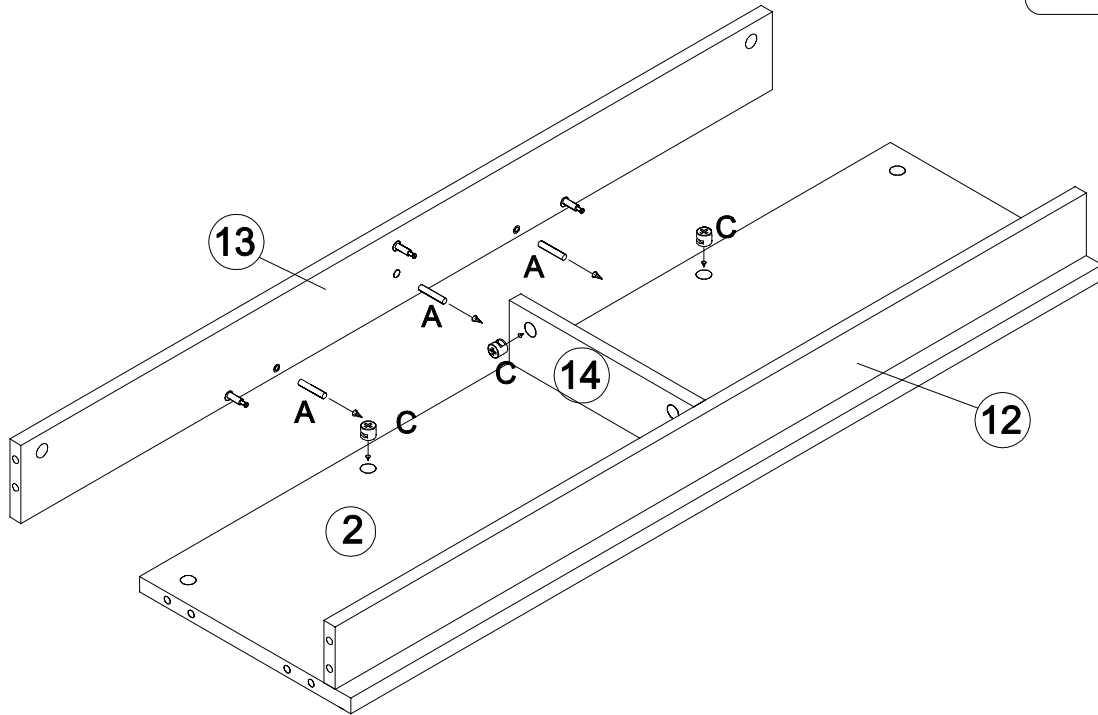


C x 3

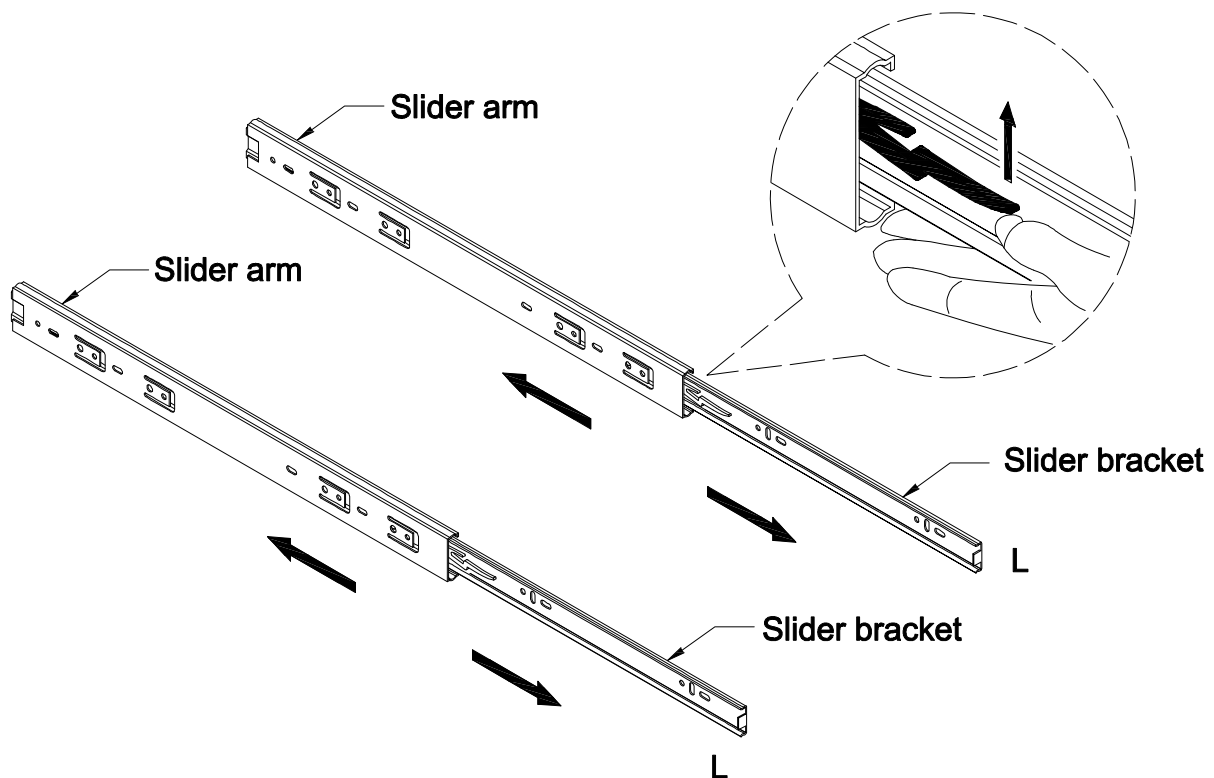


Step 3



A x 3	C x 3
	
Ø8x30mm	Ø15x11mm

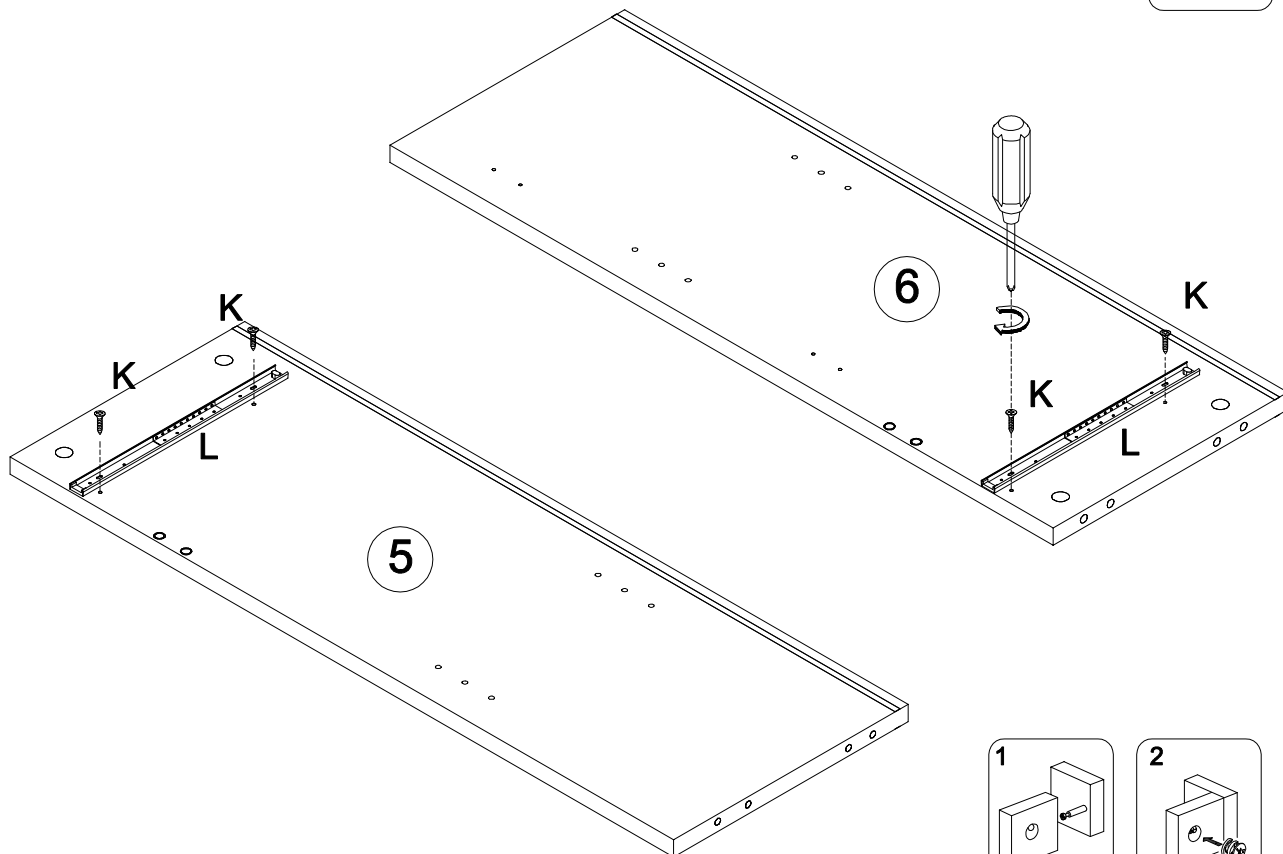


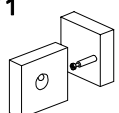
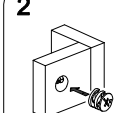
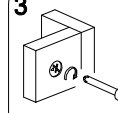
Step 4




Step 5

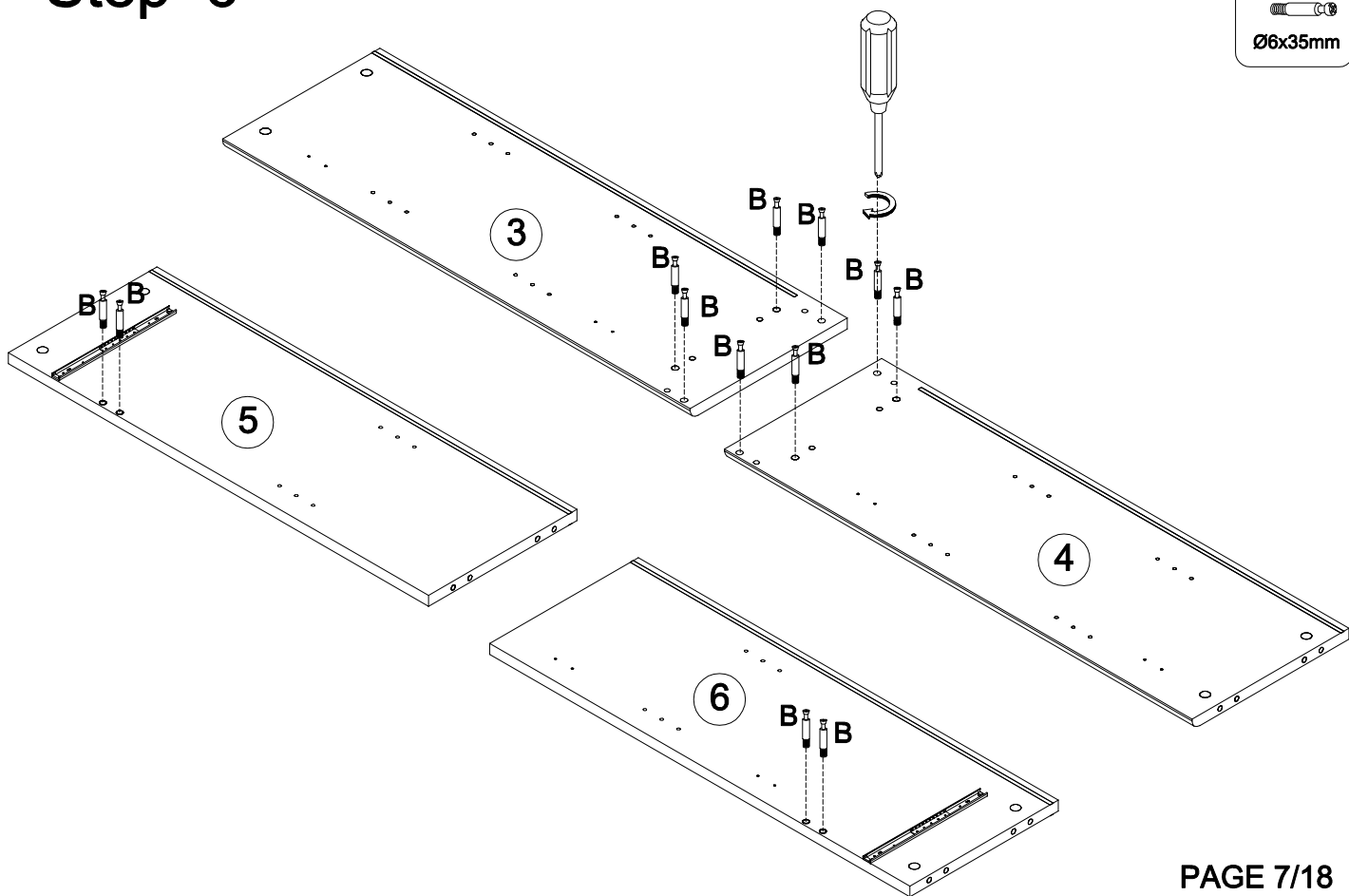
L x 1	K x 4
	
	Ø3.5x14mm




1	2	3
		

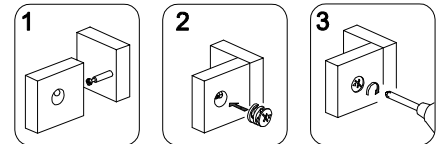
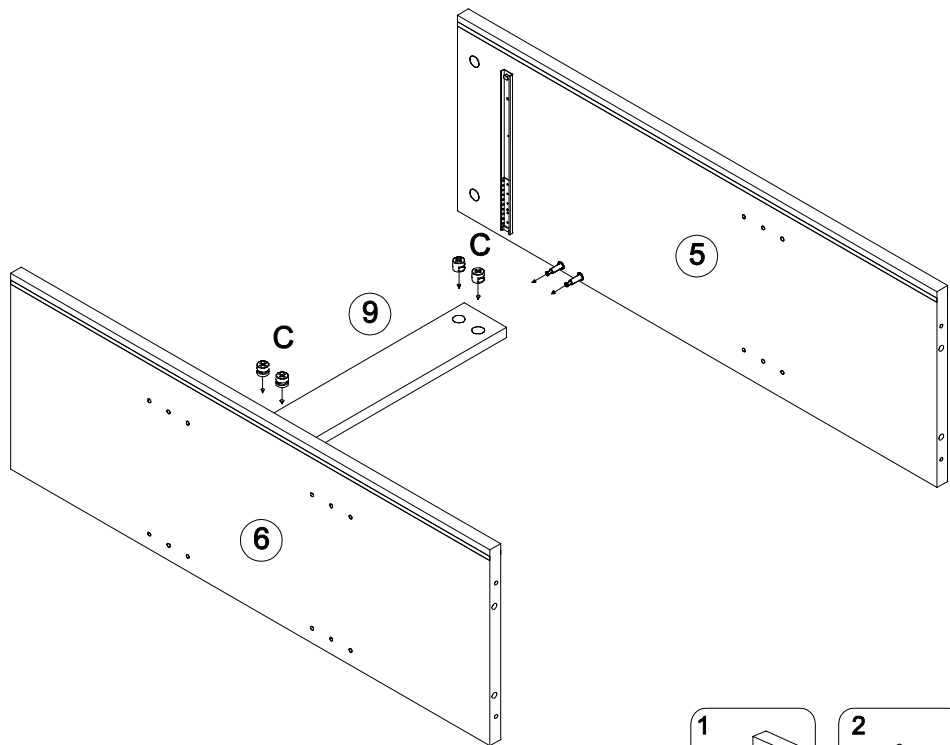
Step 6

B x 12

Ø6x35mm







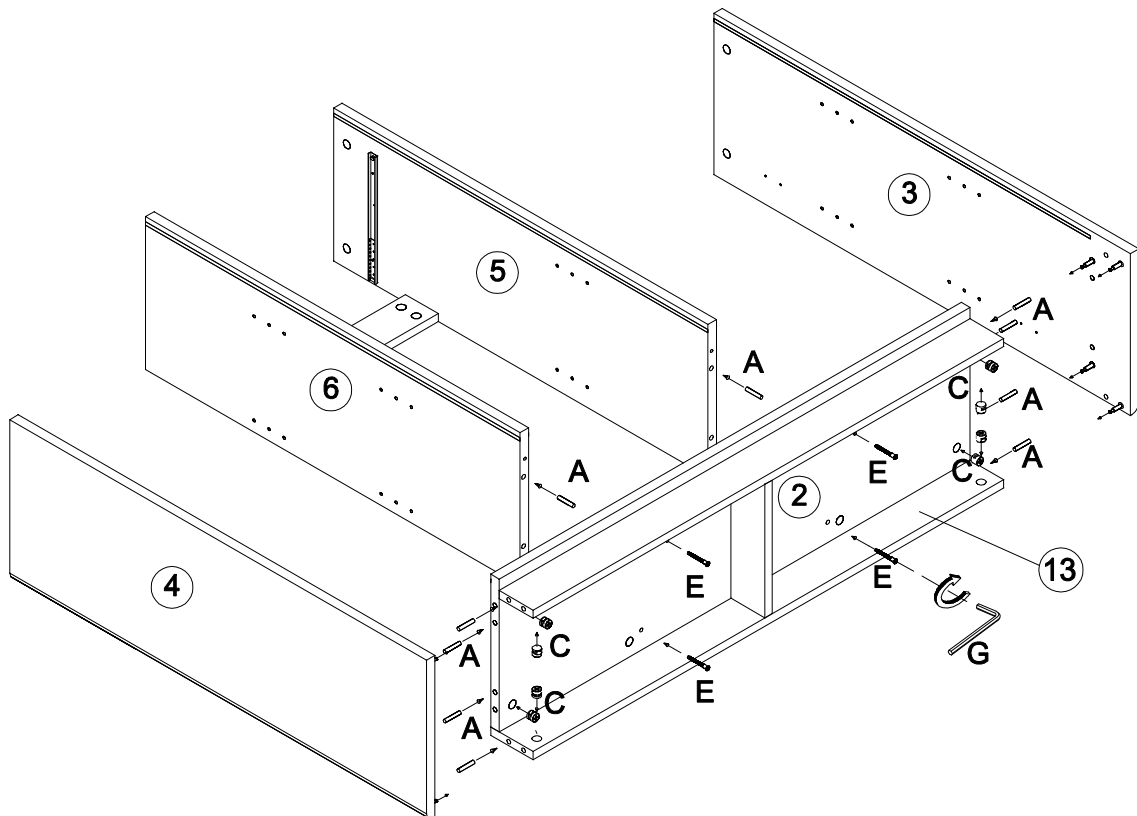
Step 7

C x 4

Ø15x11mm

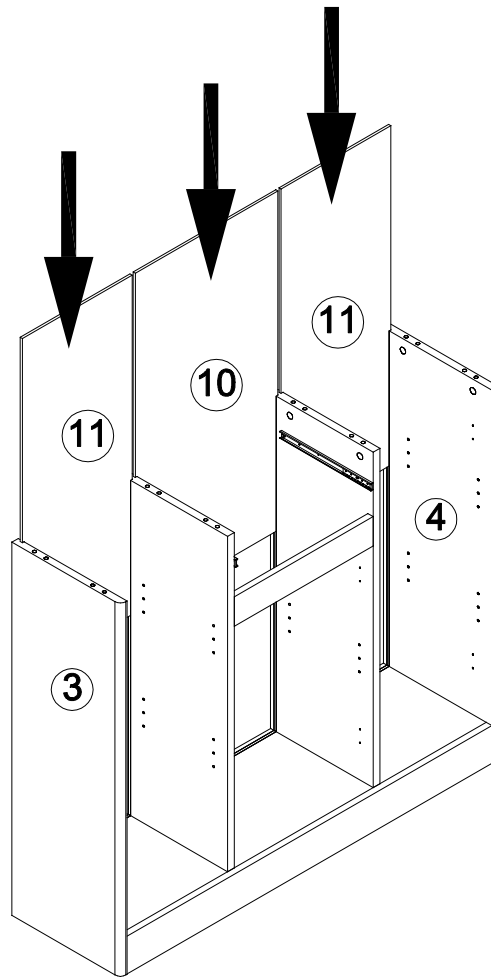


Step 8

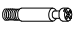
A x 12  Ø8x30mm	C x 8  Ø15x11mm	E x 4  Ø6x50mm	G x 1  4mm
---	--	---	---

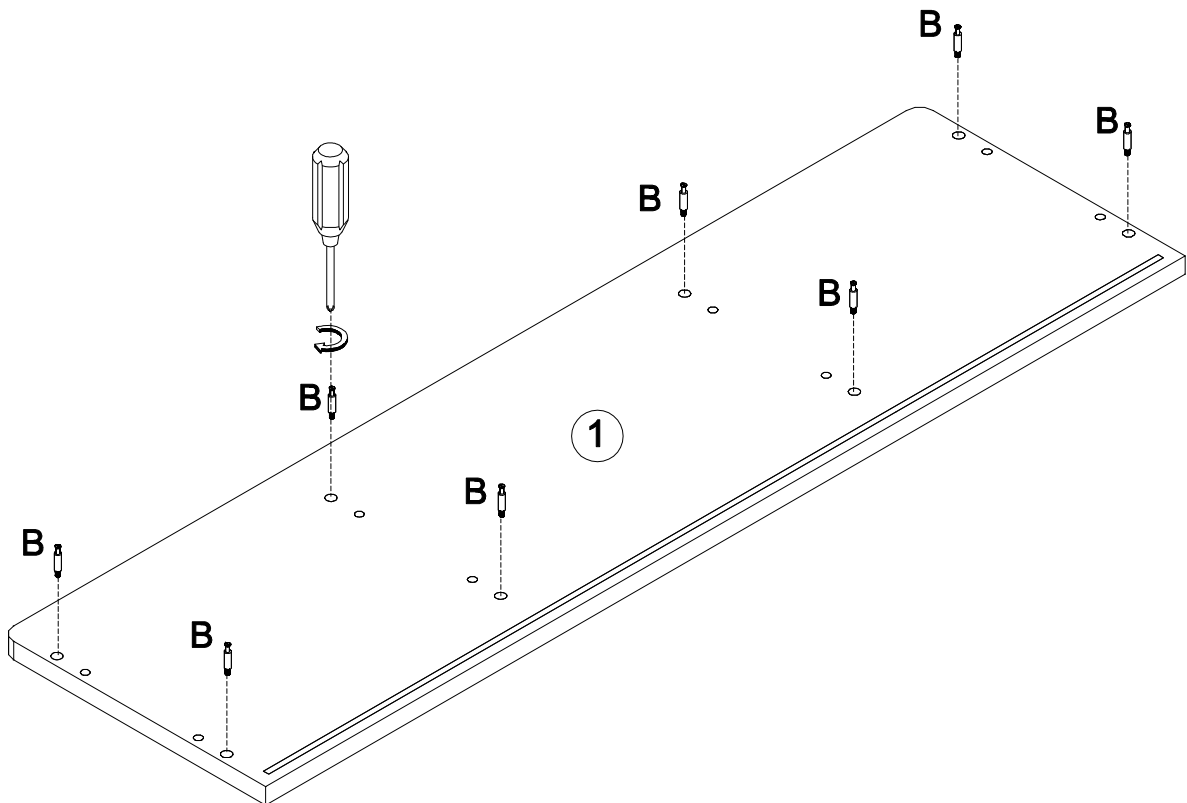


Step 9





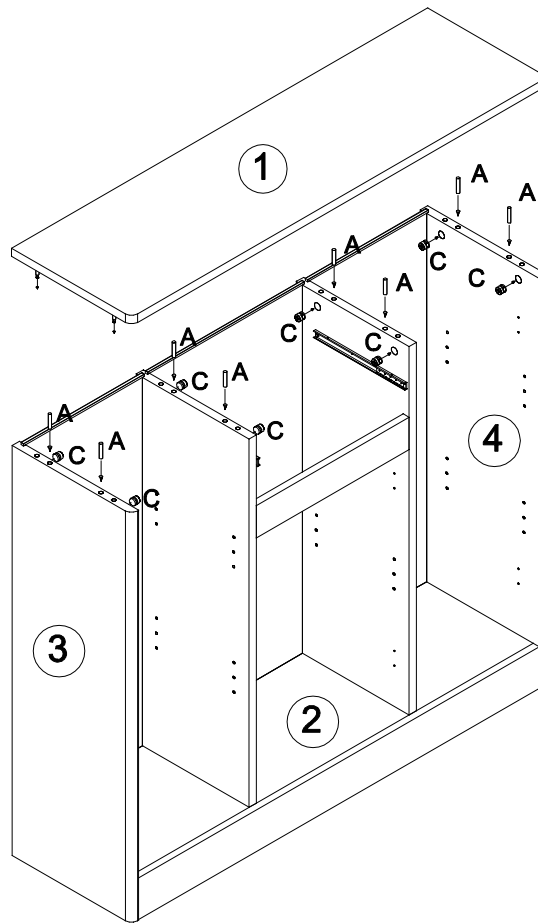
Step 10

B x 8

Ø6x35mm





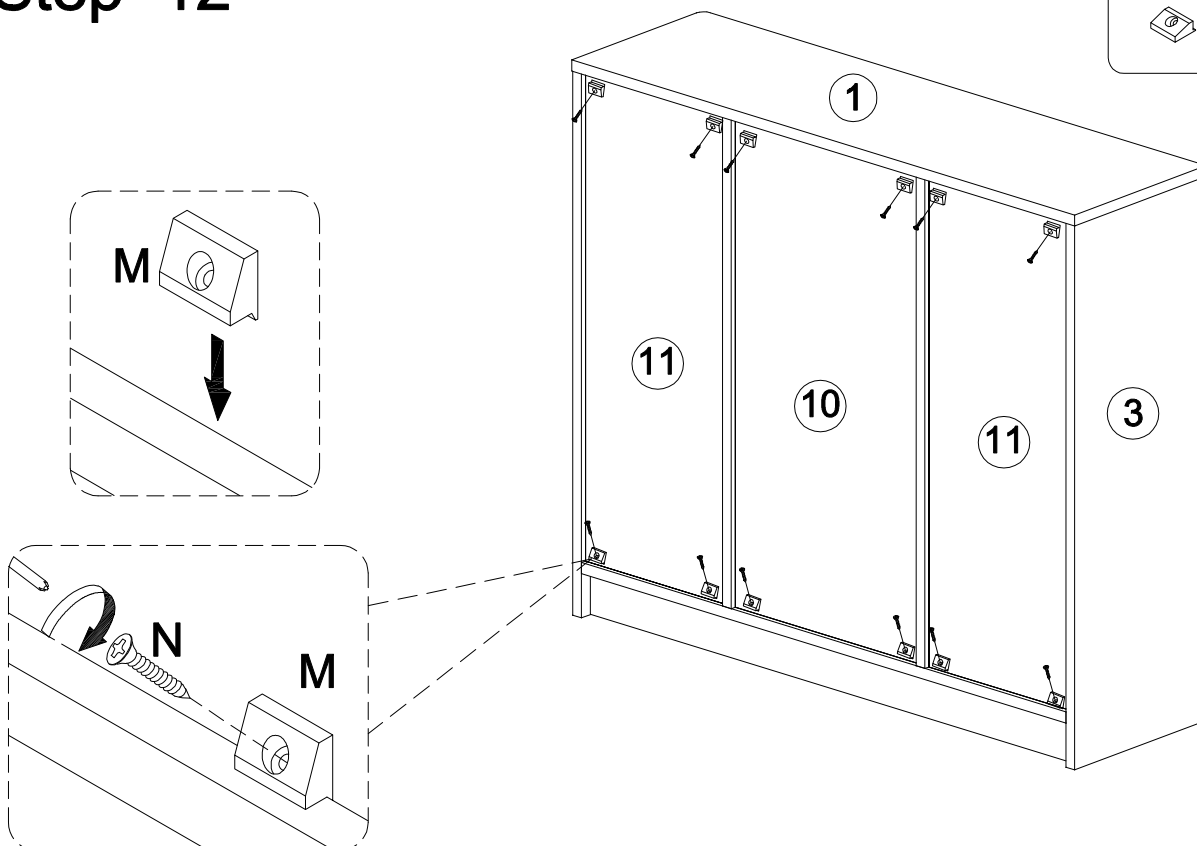
Step 11

A x 8	C x 8
	
Ø8x30mm	Ø15x11mm



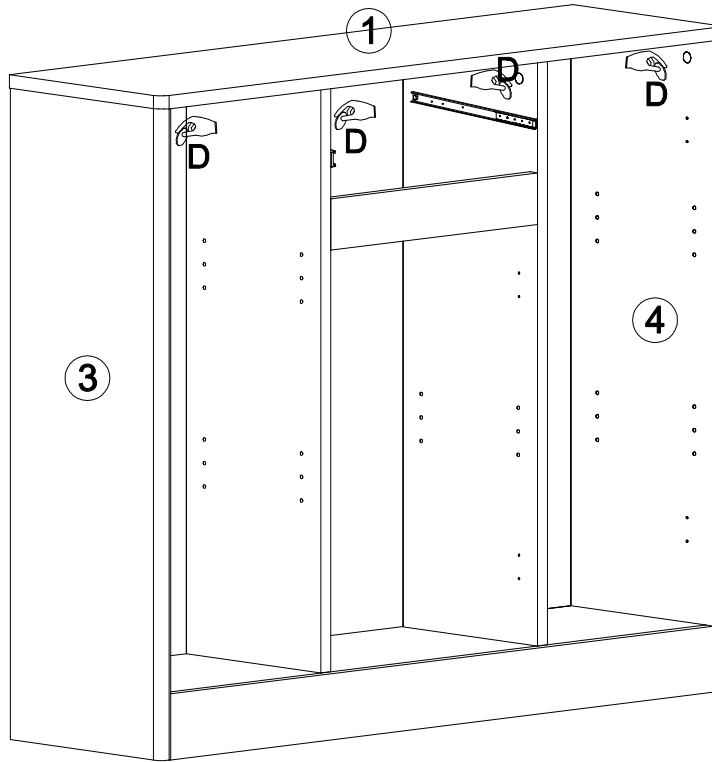

Step 12

M x 12	N x 12
	
	Ø3x17mm



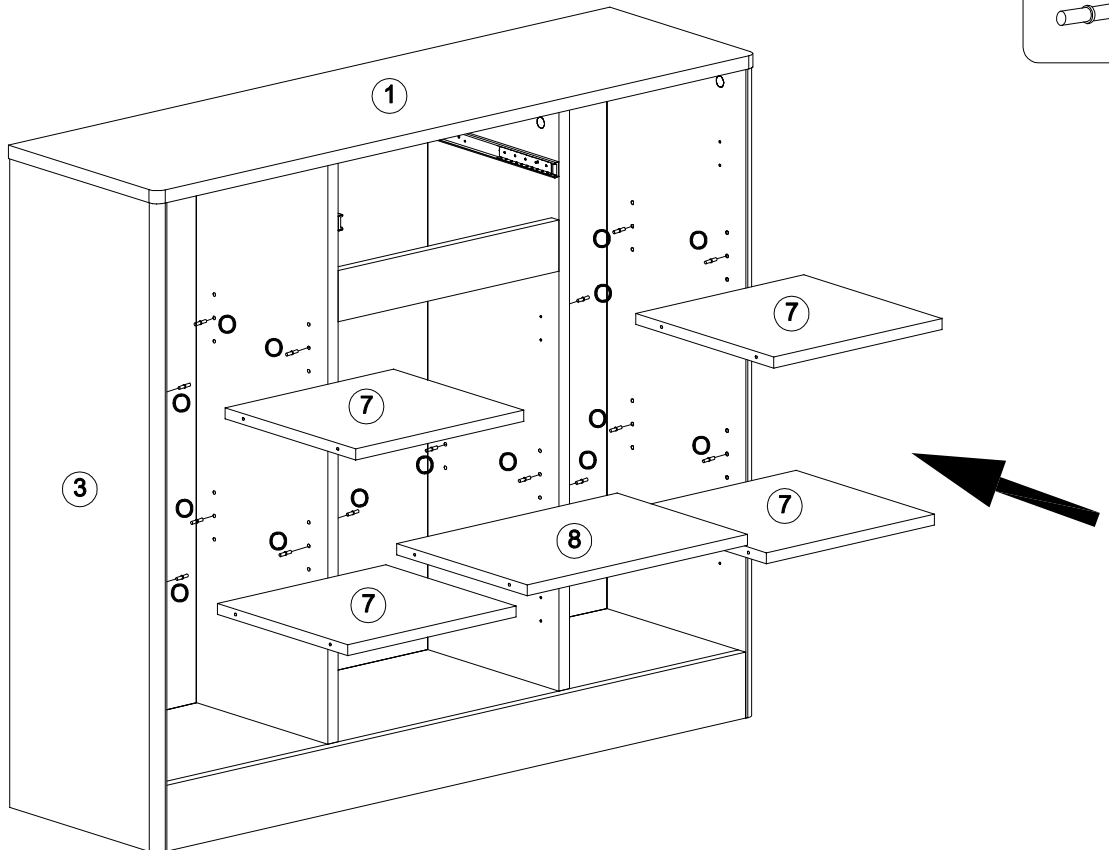

Step 13

D x 8

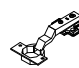




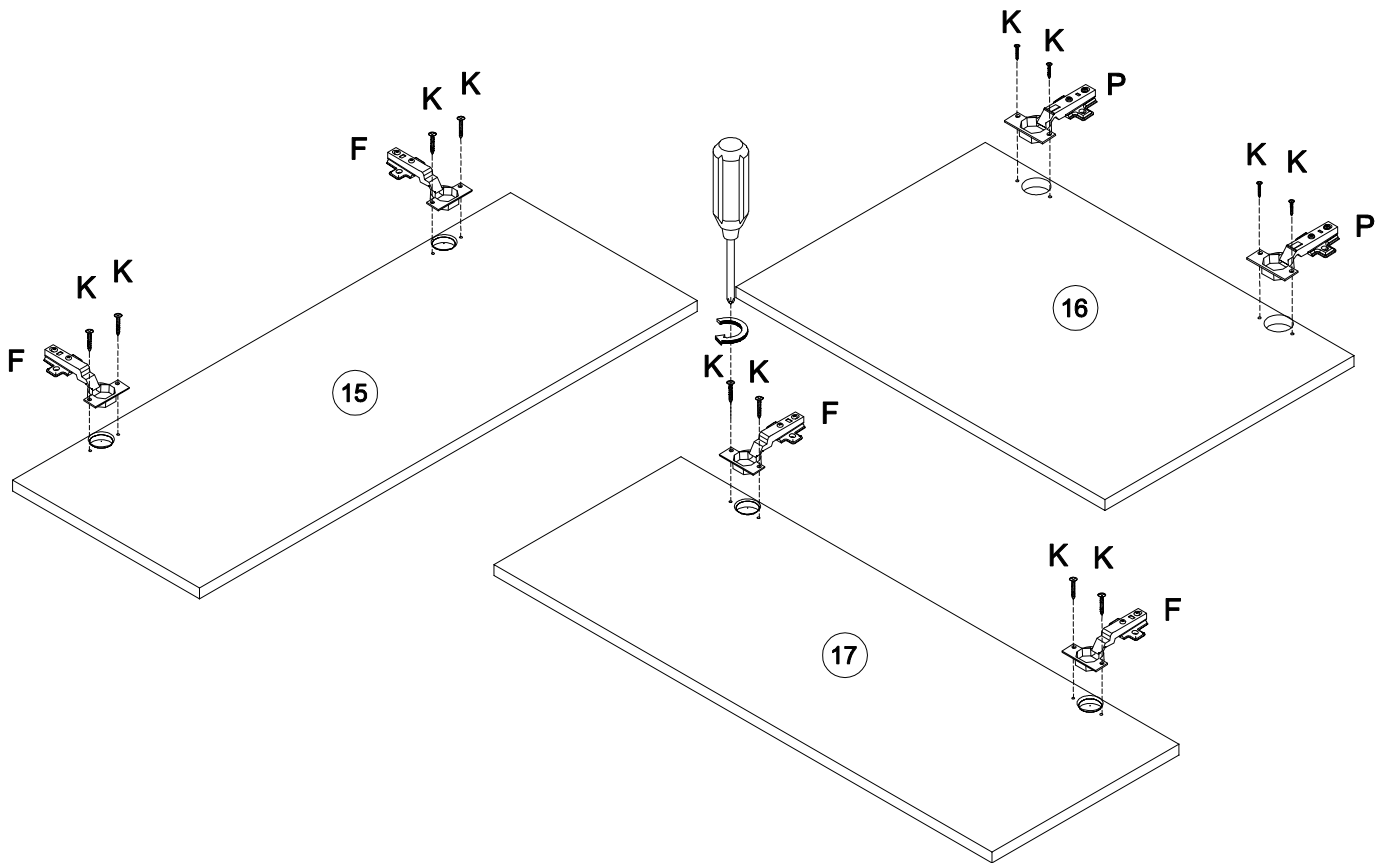
Step 14

O x 20


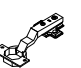


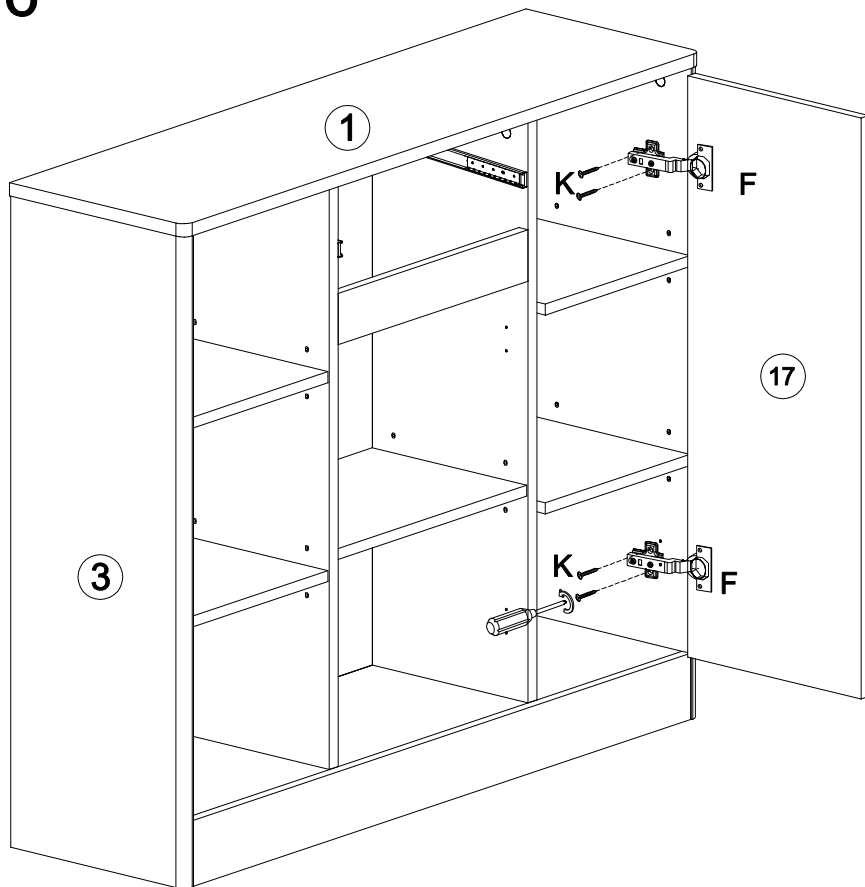
Step 15

F x 4	K x 12	P x 2
	 Ø3.5x14mm	





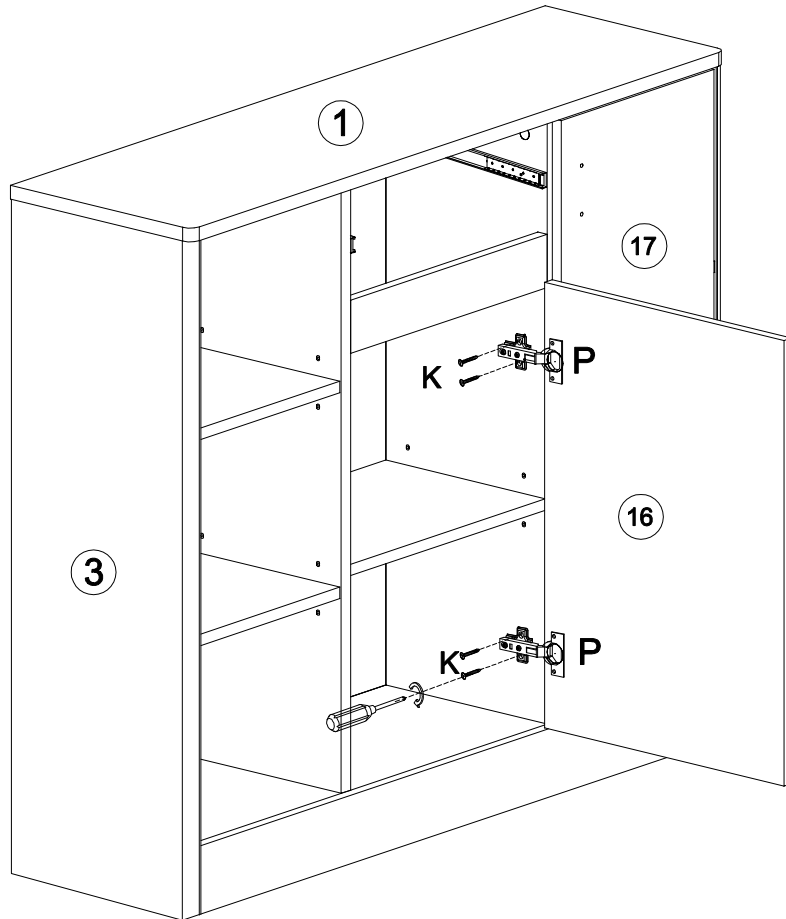
Step 16

K x 4	F x 2
 Ø3.5x14mm	





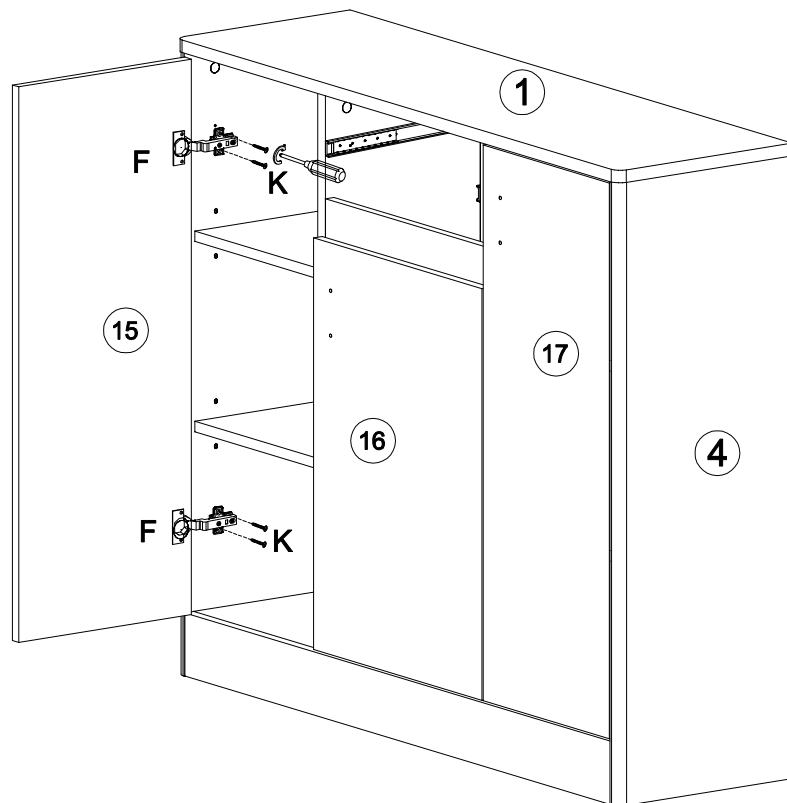
Step 17

K x 4	P x 2
 Ø3.5x14mm	



Step 18

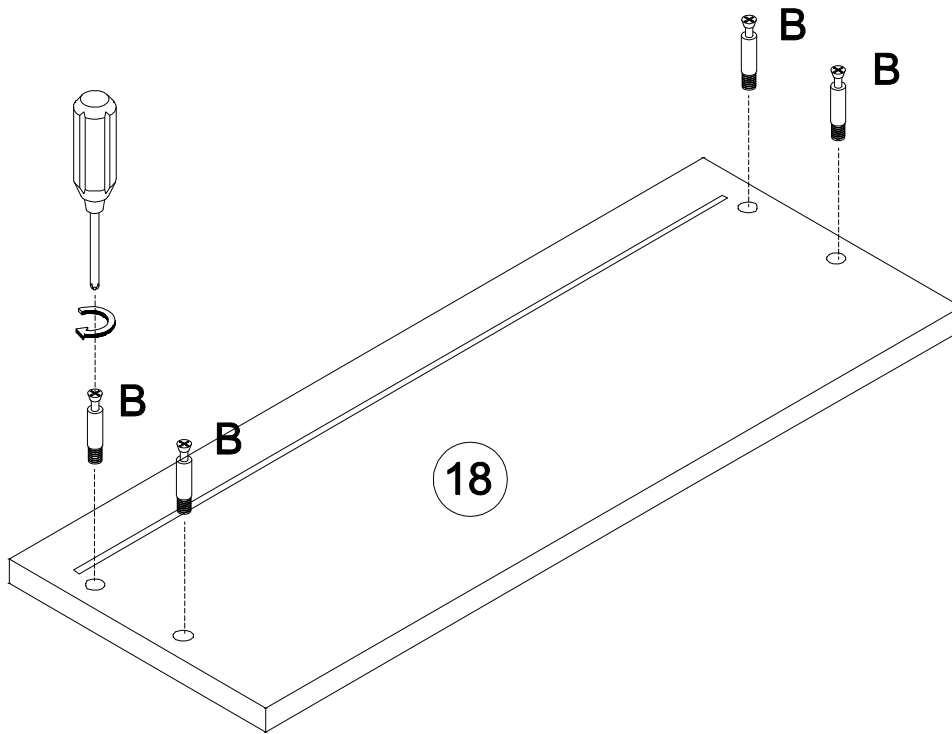
K x 4	F x 2
 Ø3.5x14mm	



Step 19

B x 4

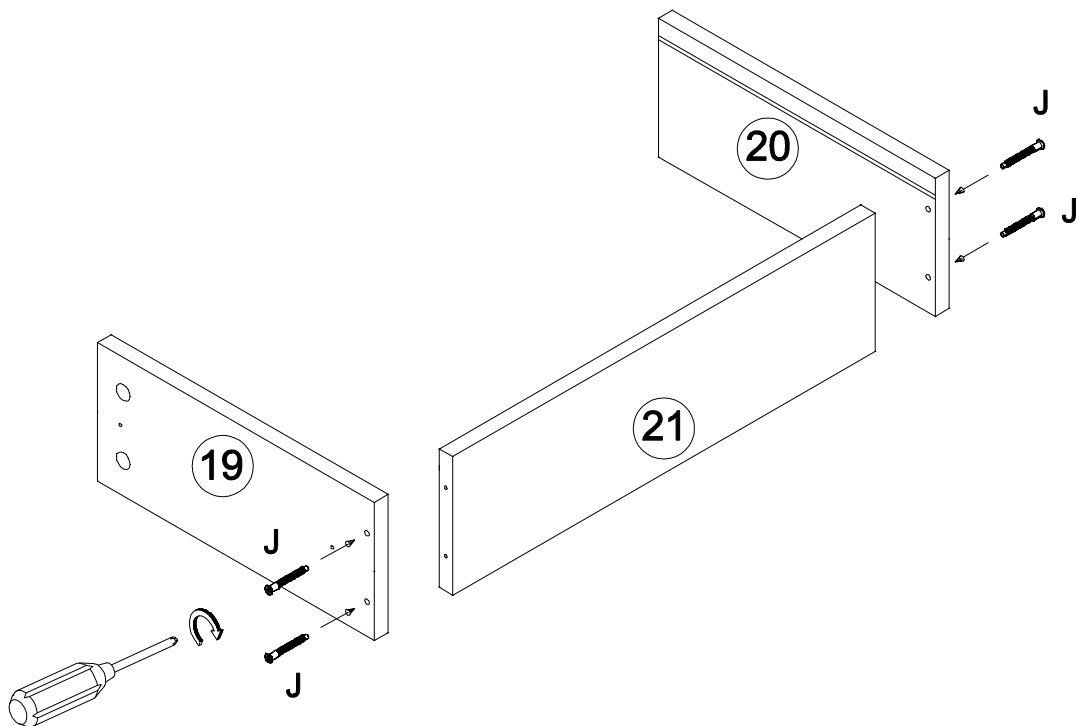
Ø6x35mm



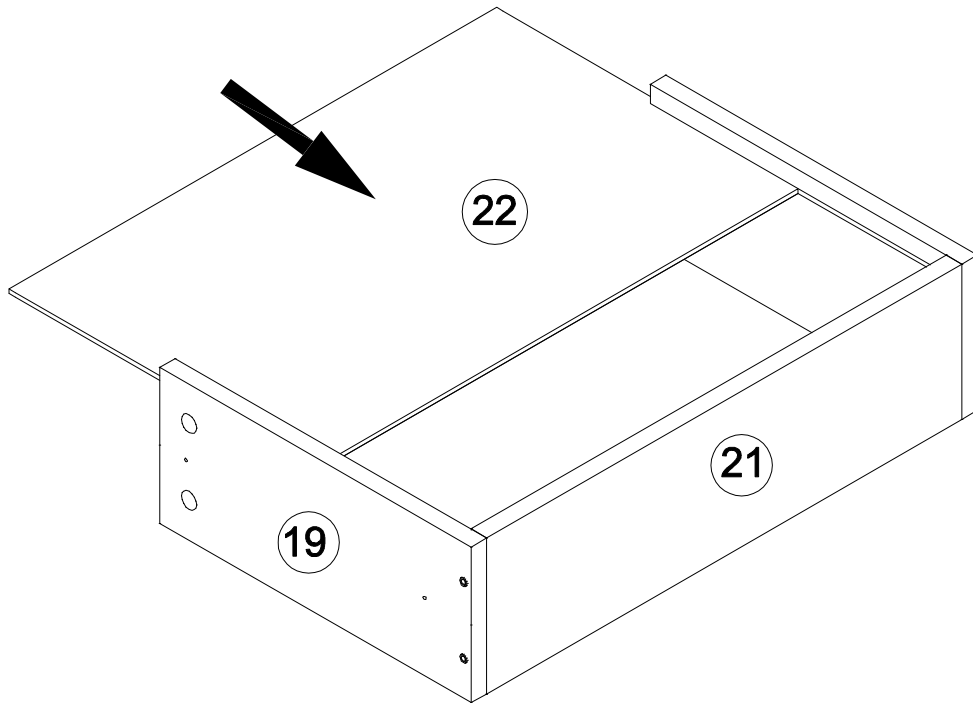
Step 20

J x 4


Ø4x30mm

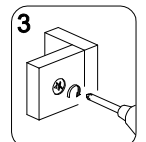
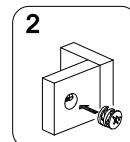
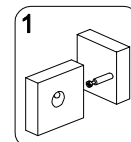
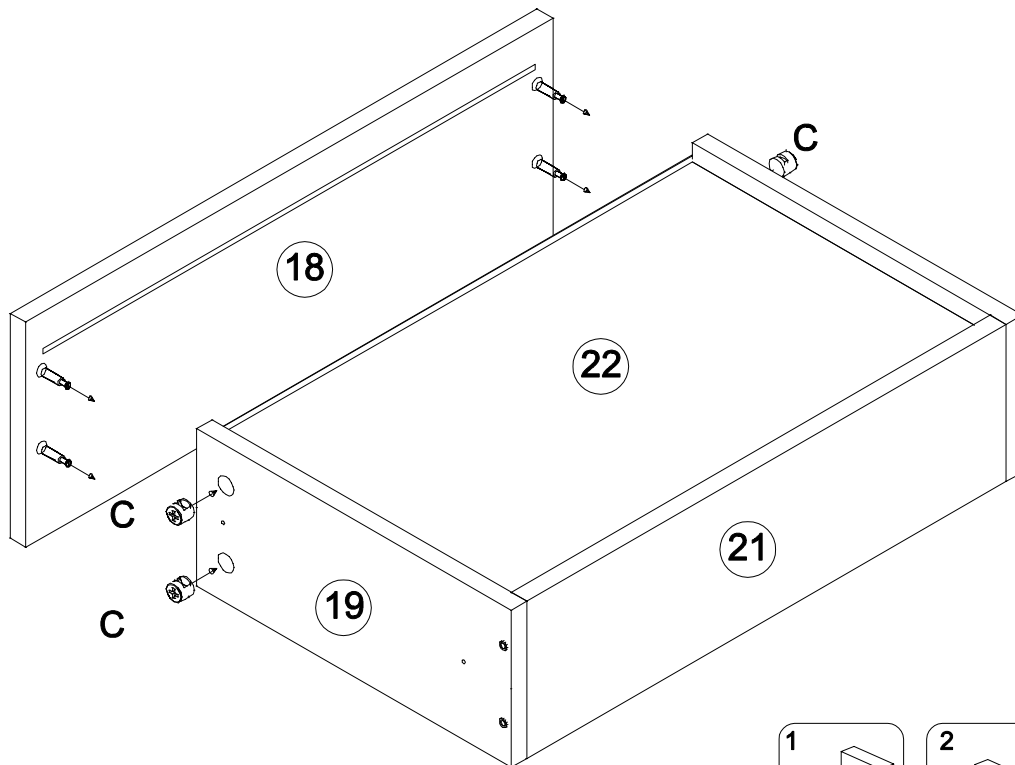


Step 21





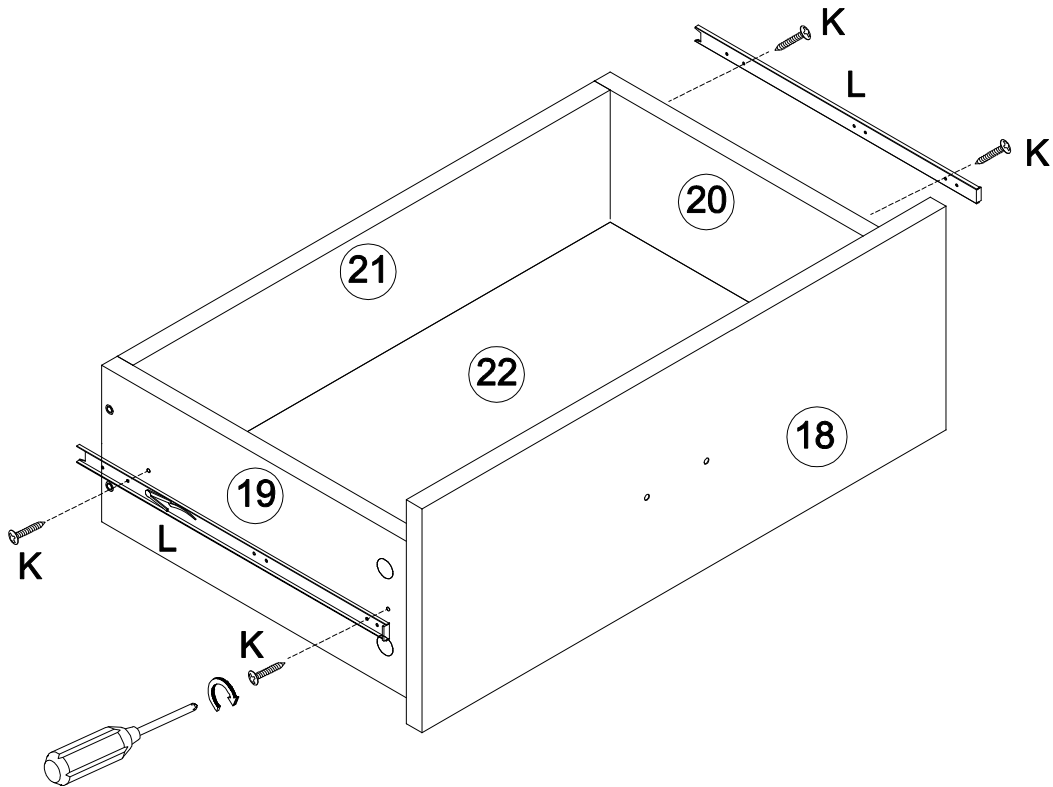
Step 22

C x 4

Ø15x11mm




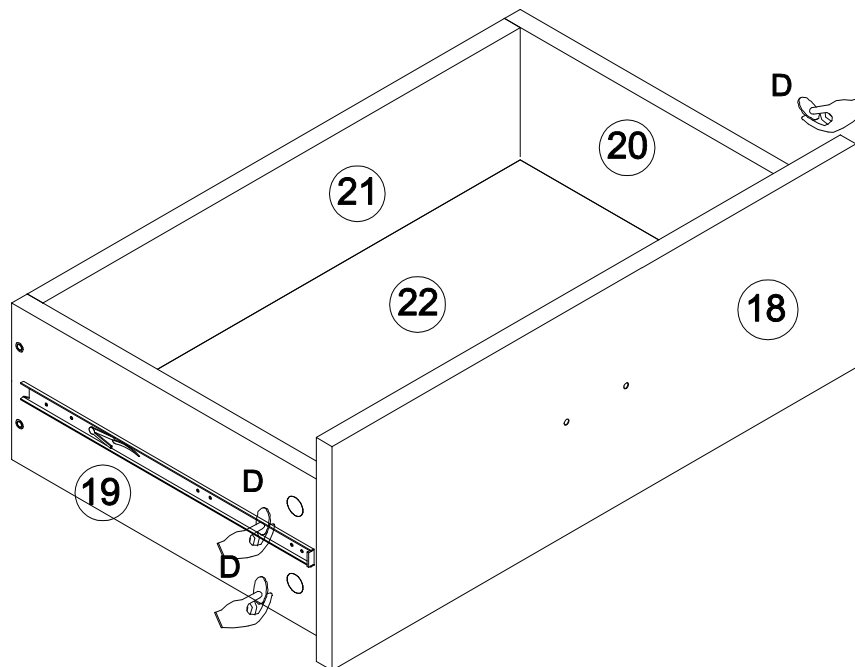
Step 23

L x 1	K x 4
	
	Ø3.5x14mm

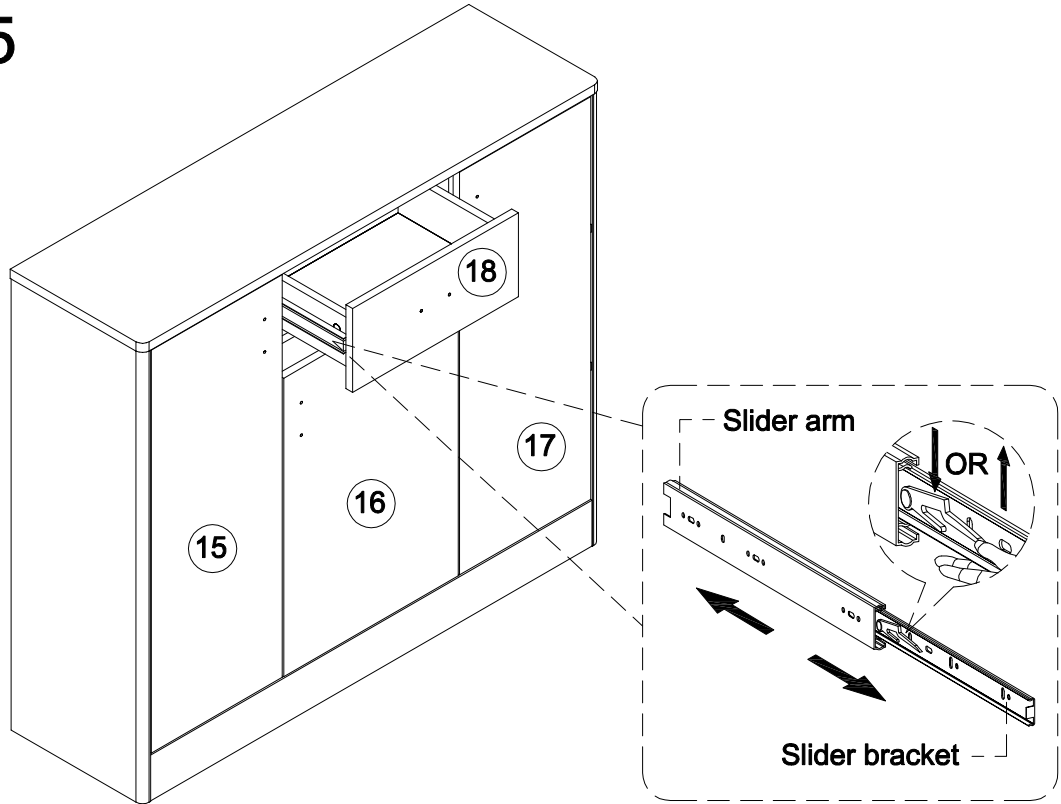


Step 24

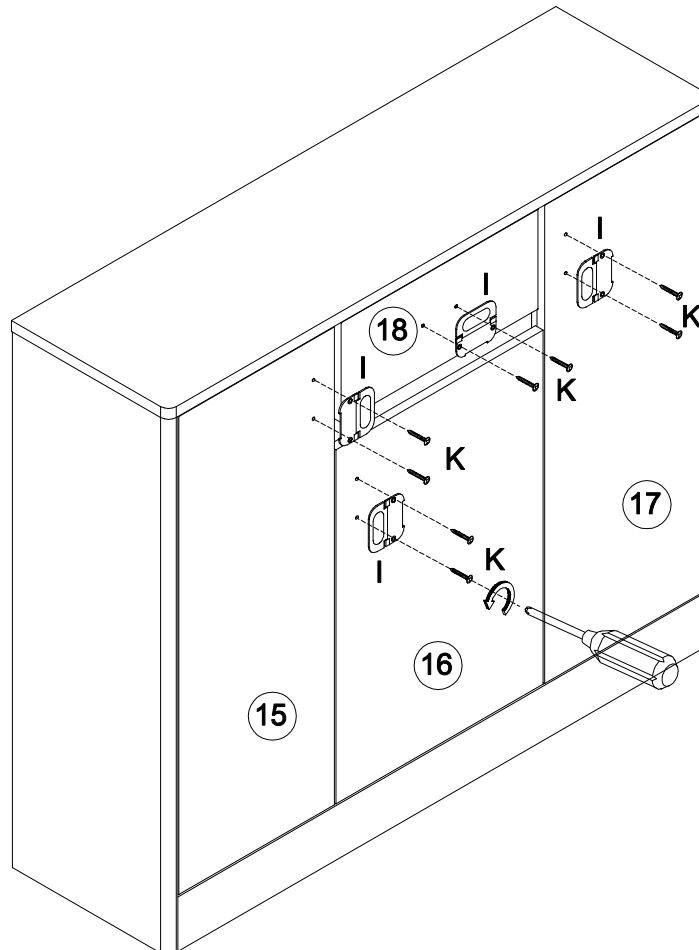
D x 4






Step 25



Step 26



K x 8	I x 4
 Ø3.5x14mm	

Step 27

