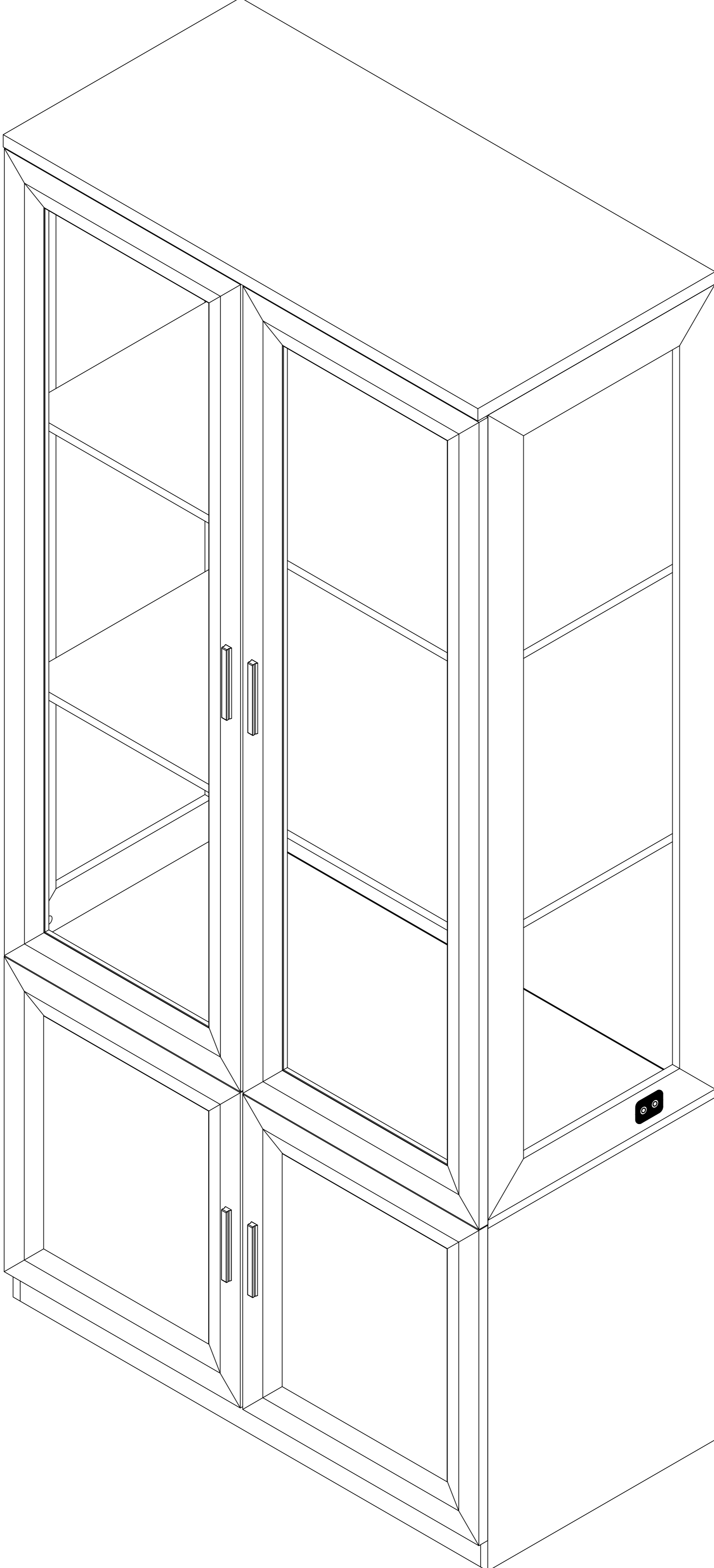
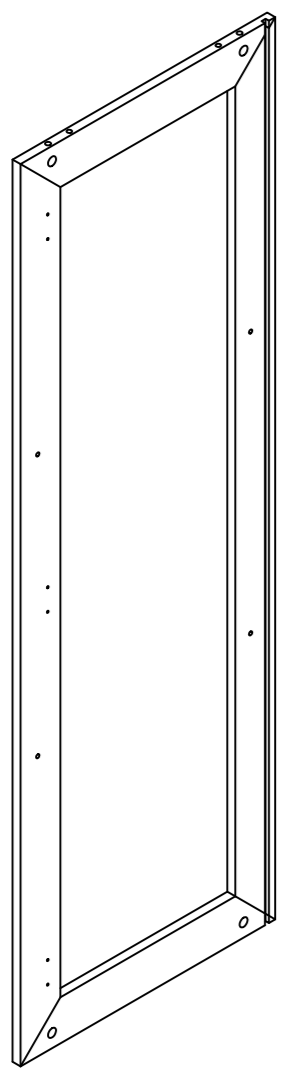
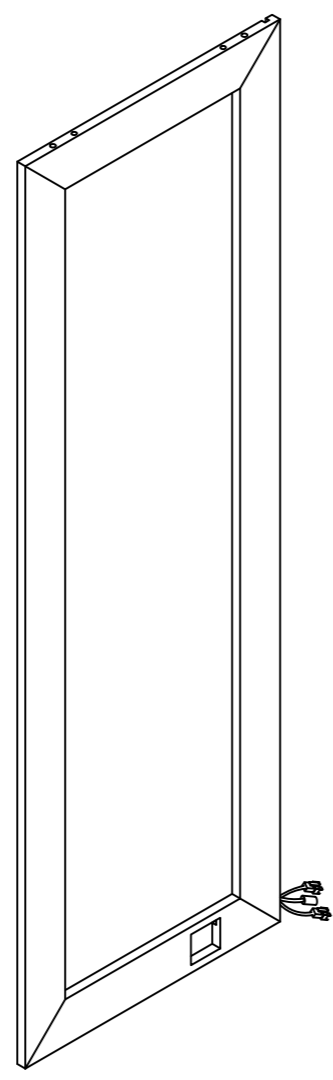


Product Installation Instructions

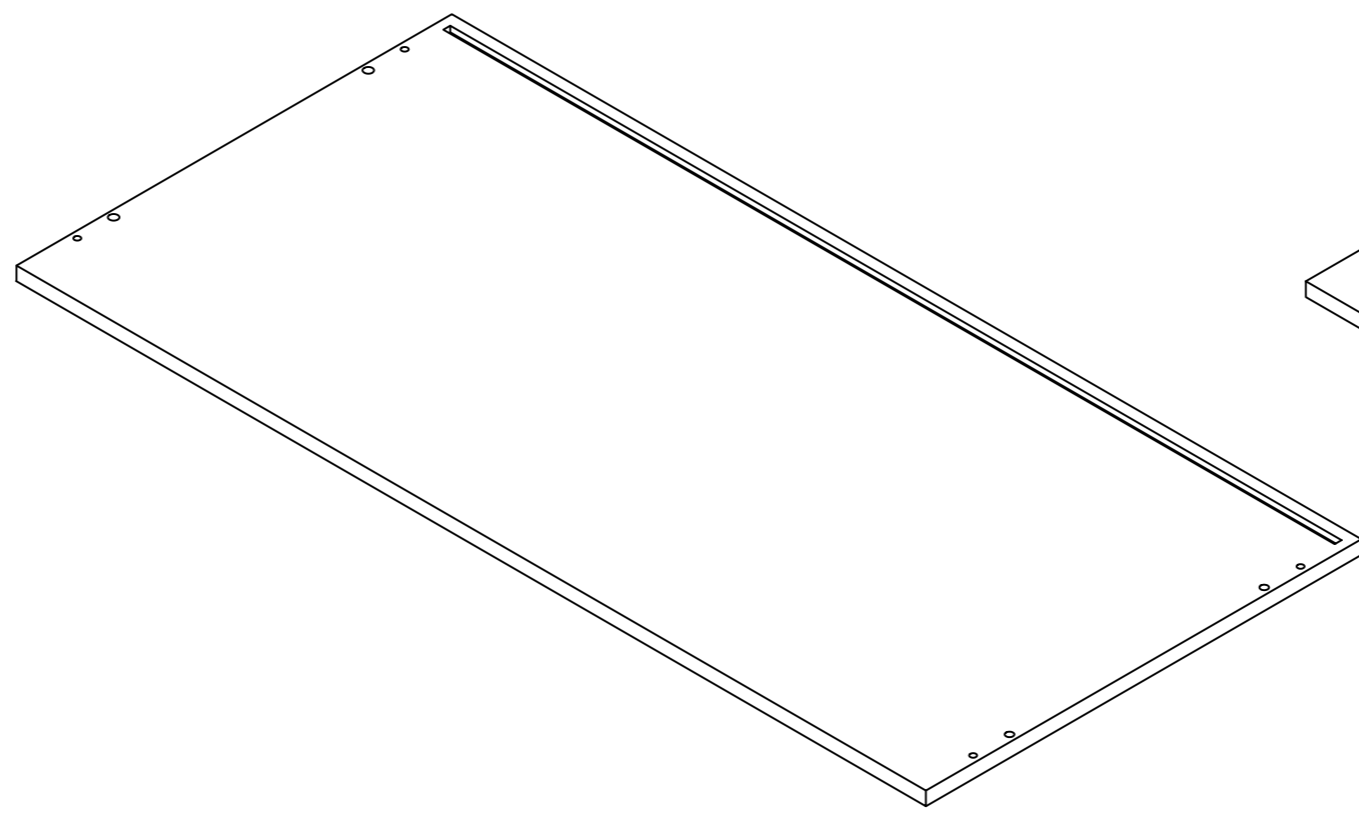




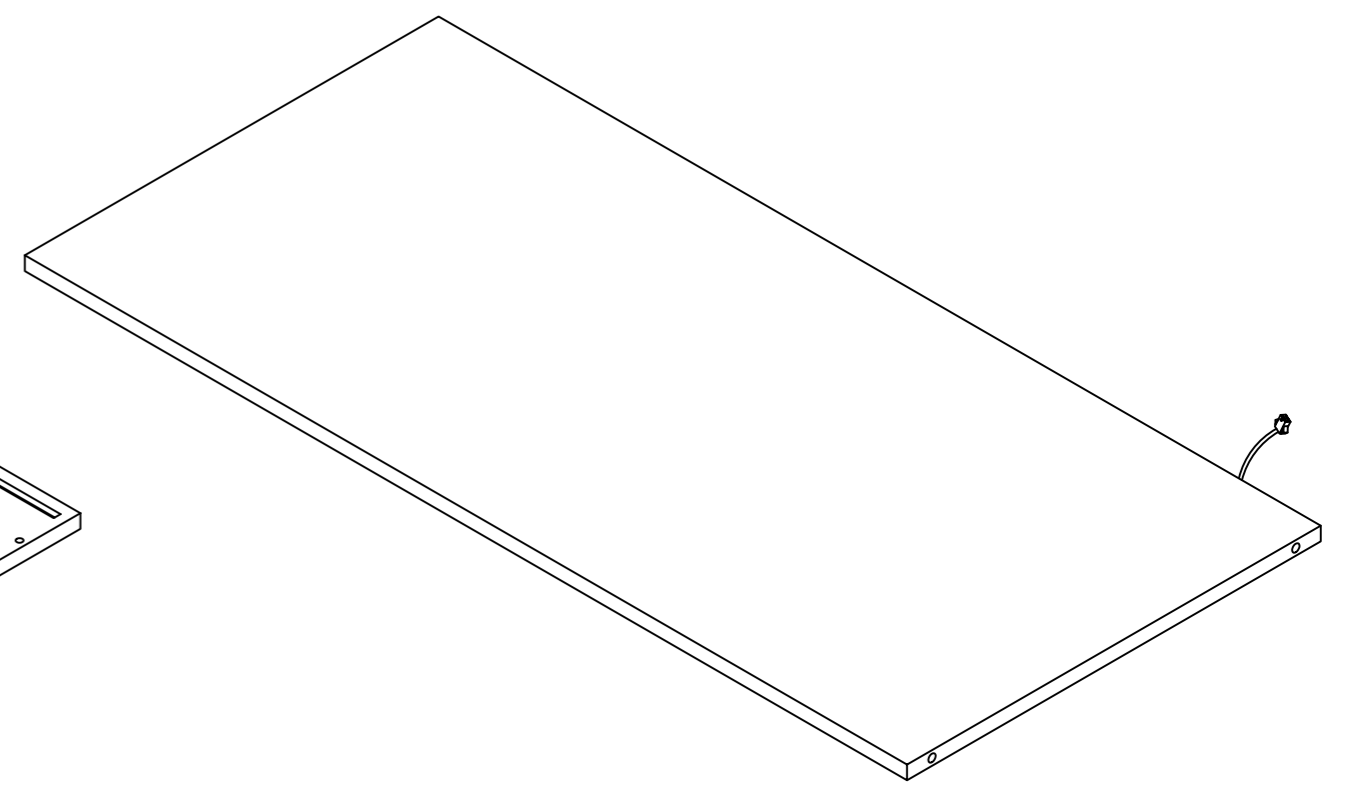
1x1



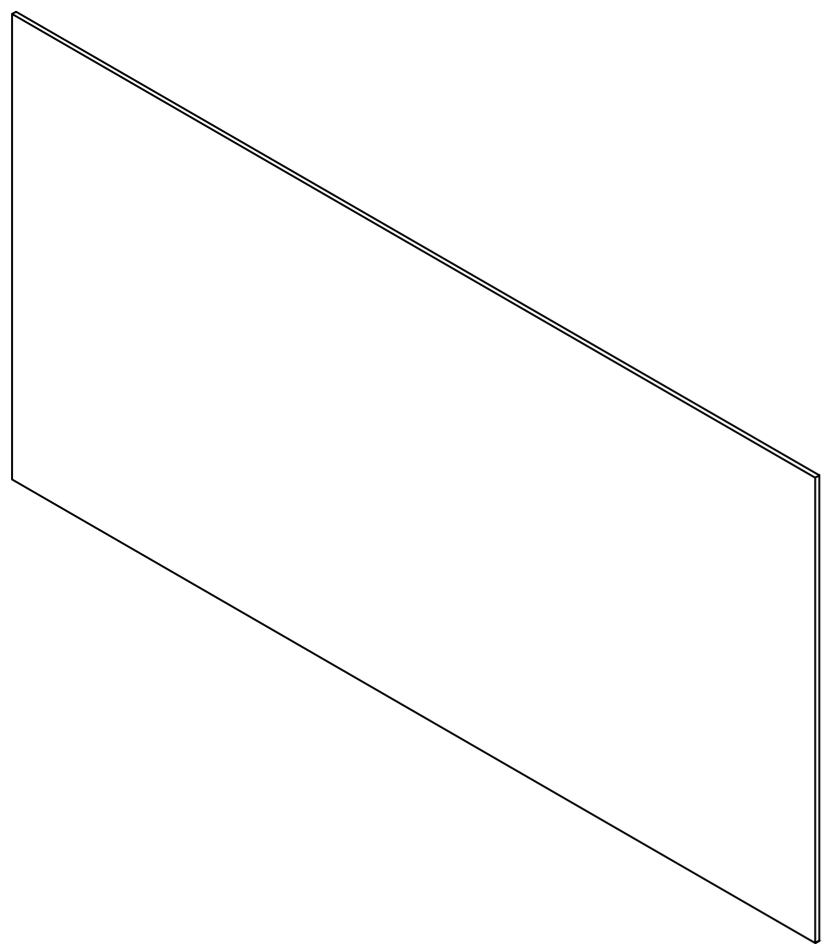
2x1



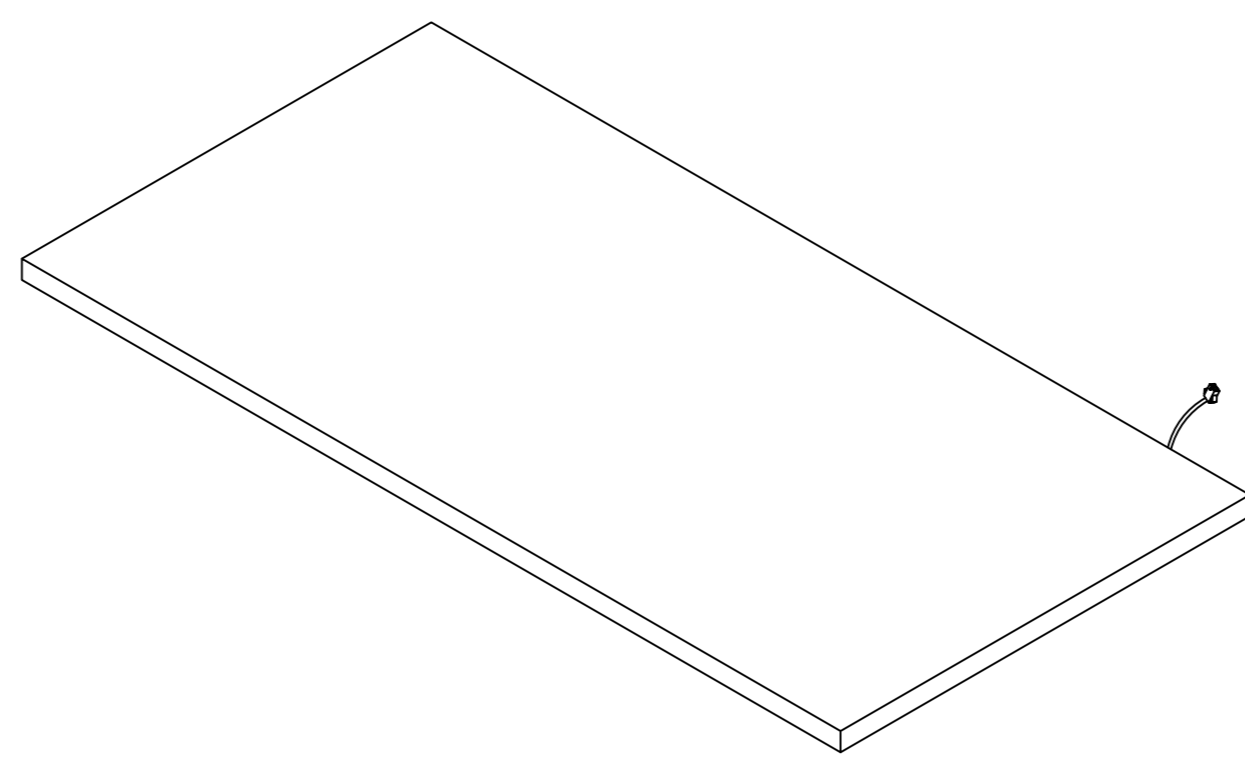
3x1



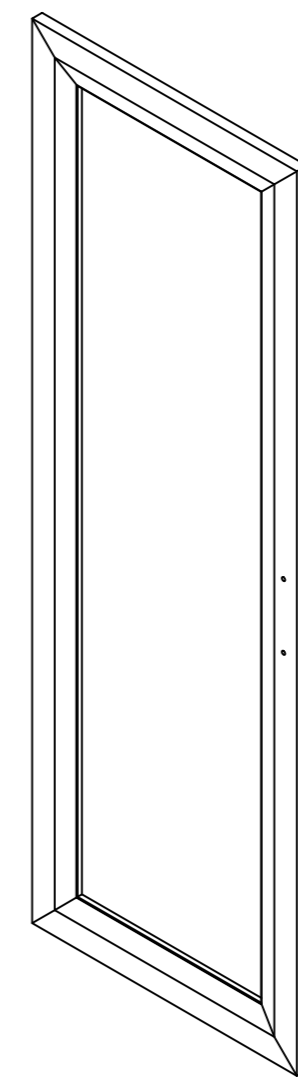
4x2



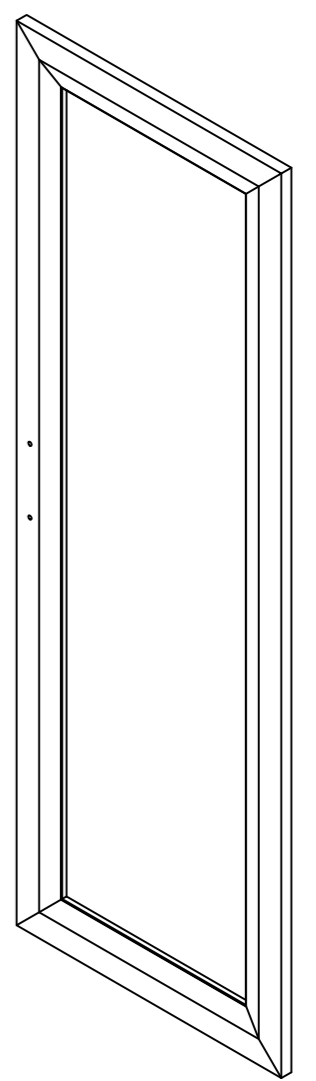
5x2



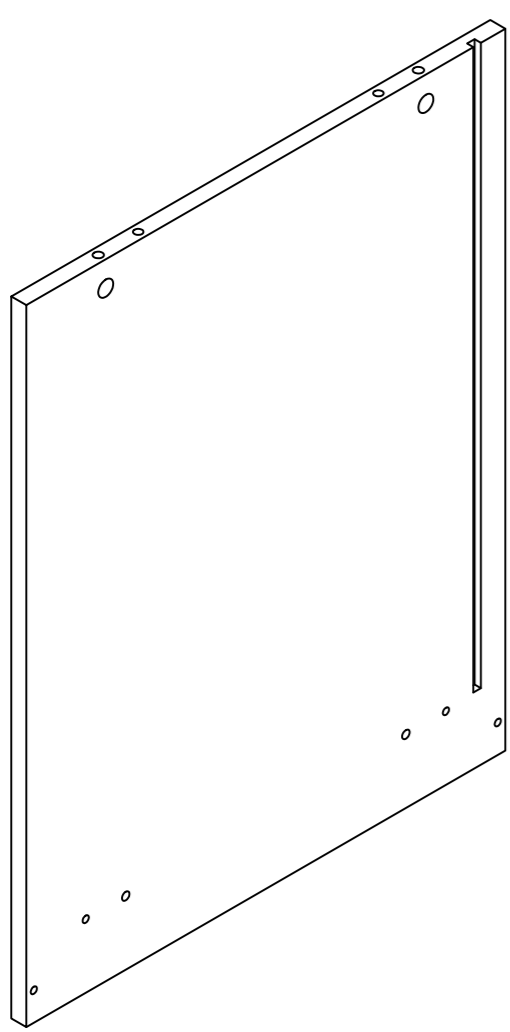
6x1



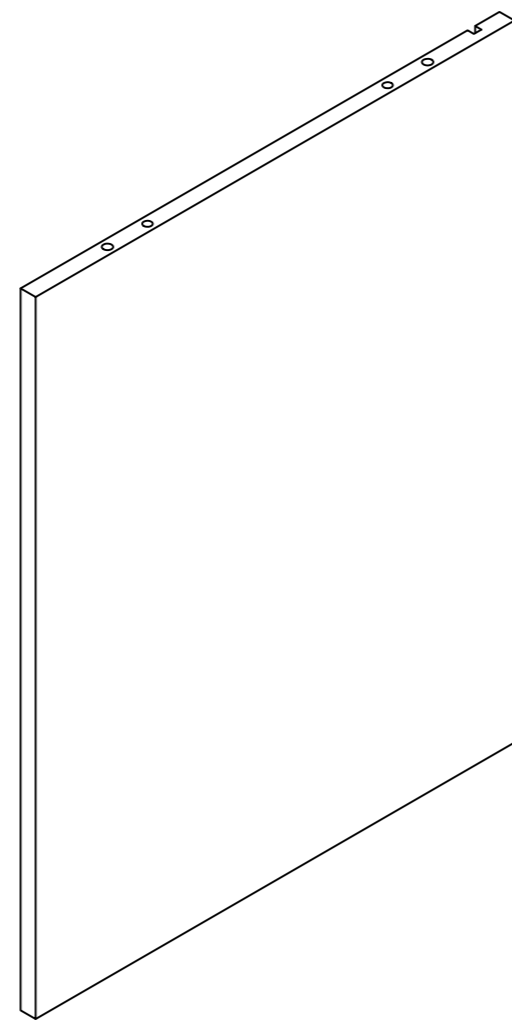
7x1



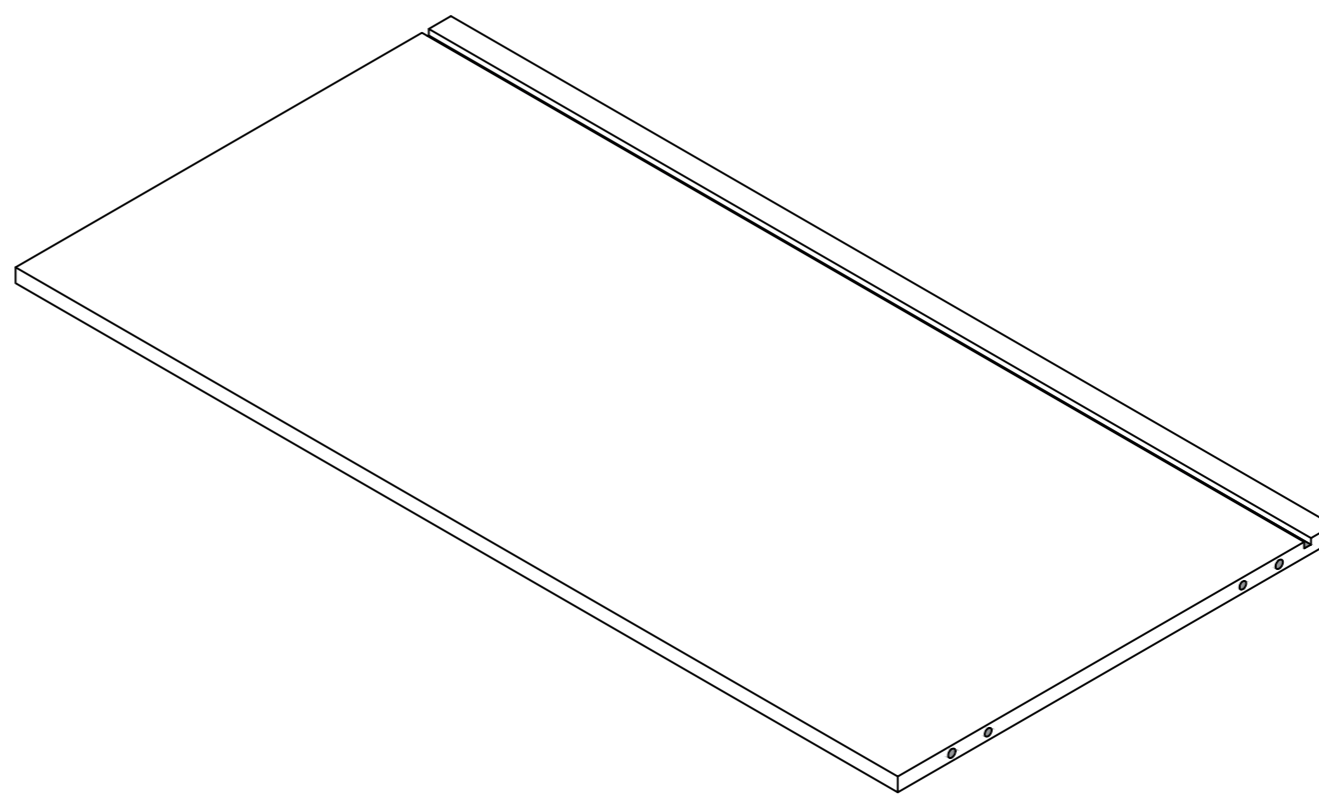
8x1



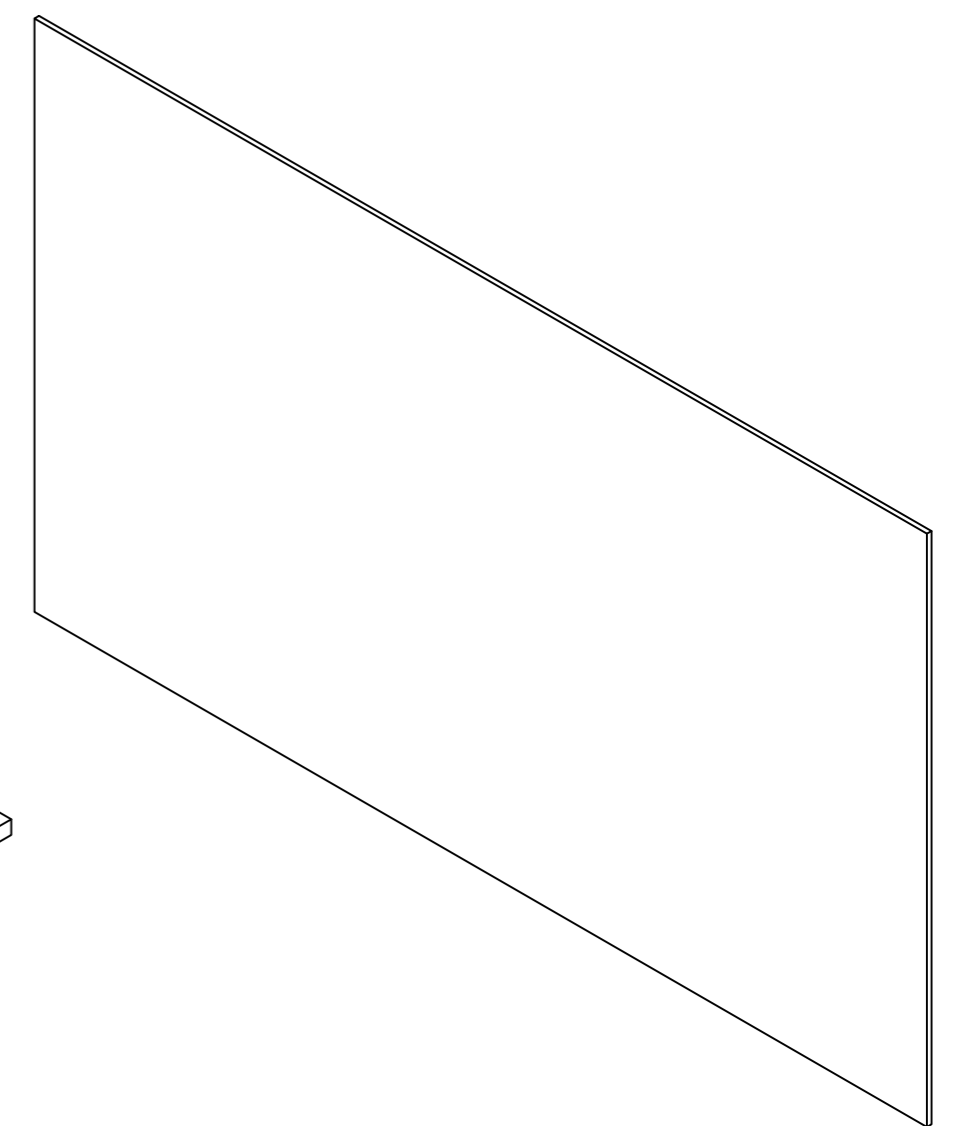
9x1



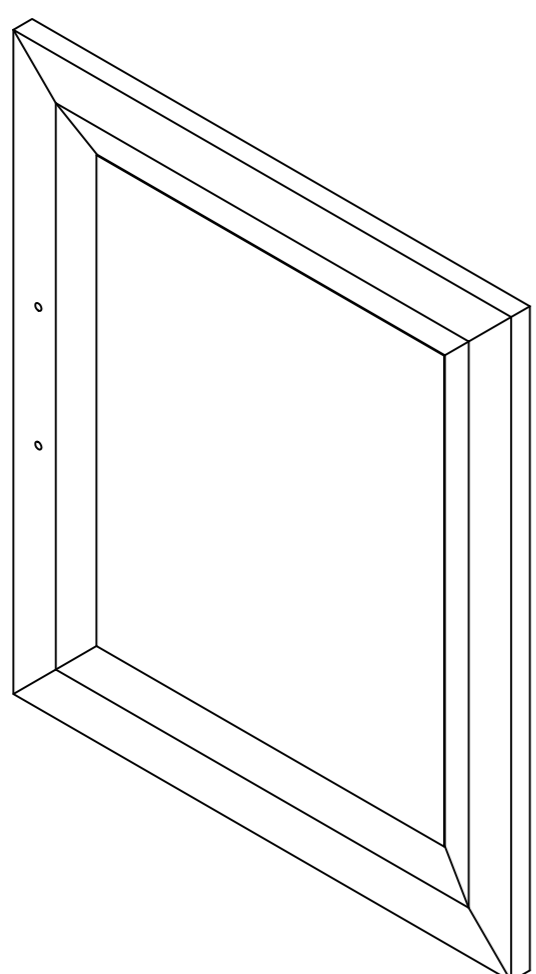
10x1



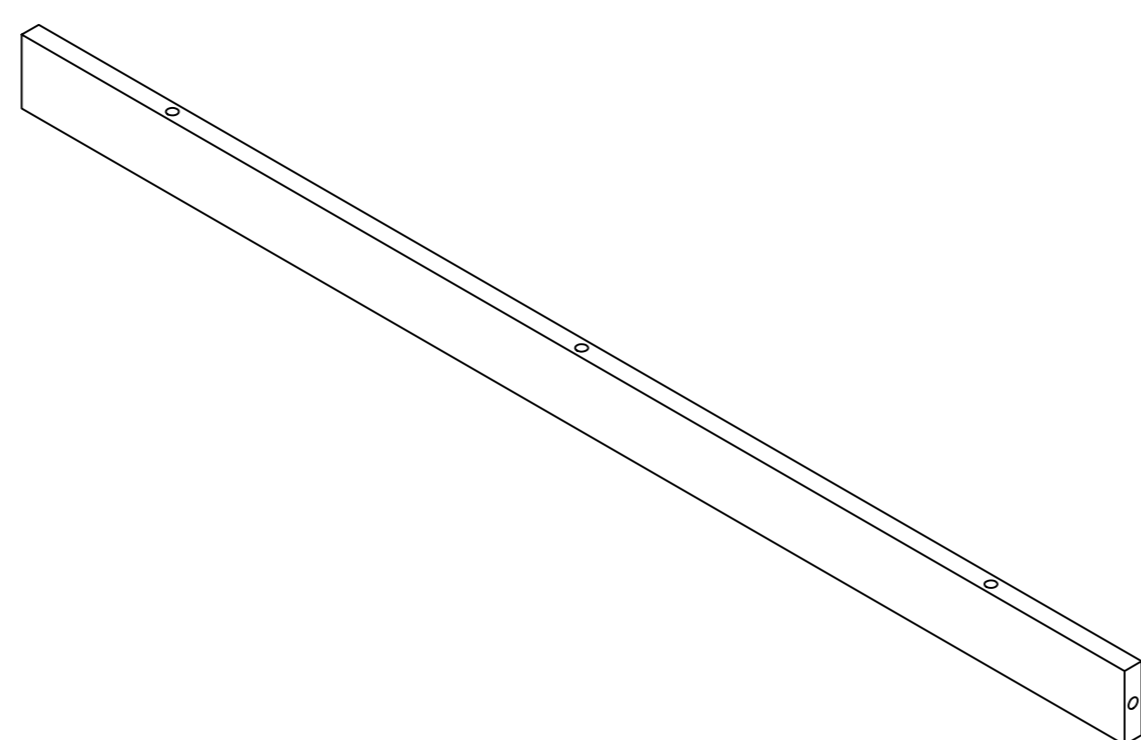
11x1



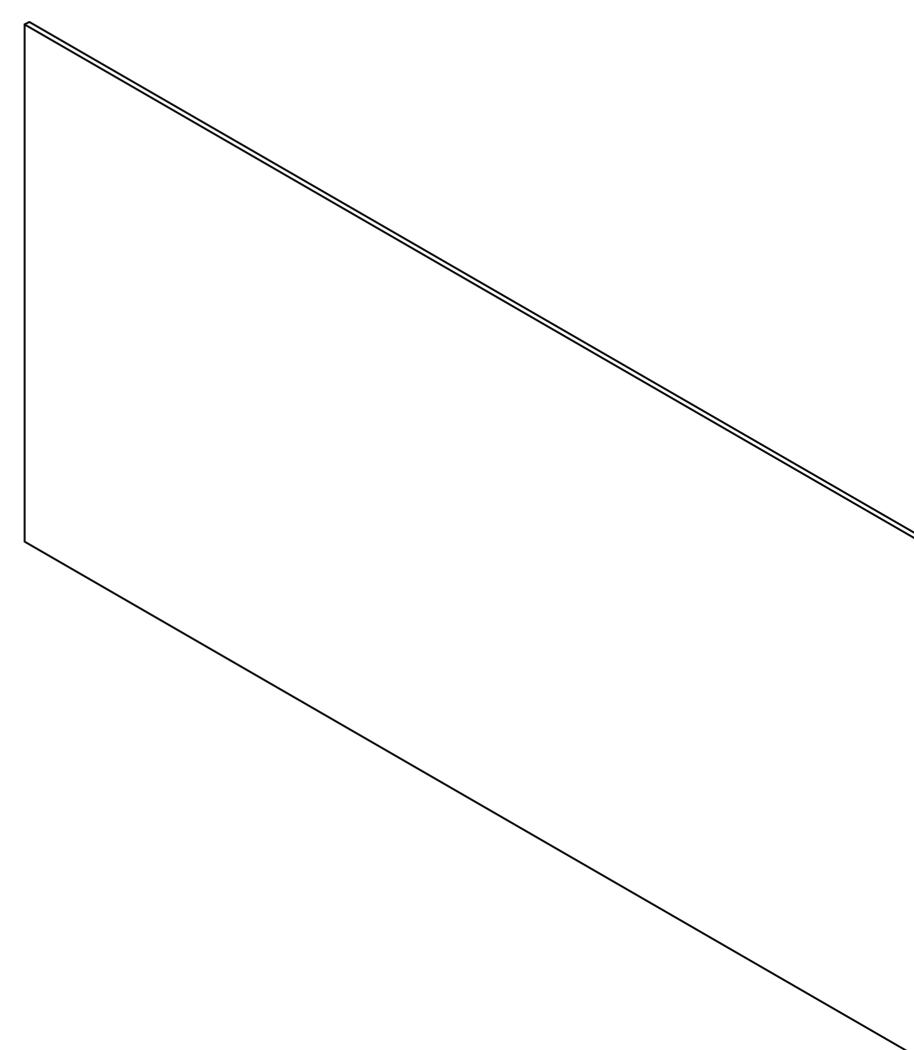
12x2



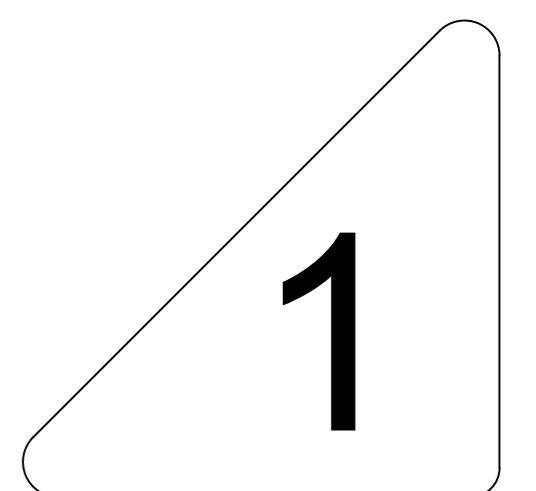
13x2



14x2

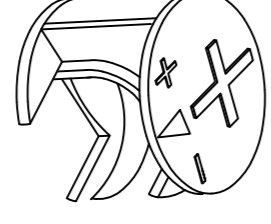
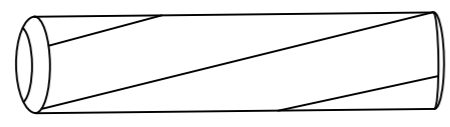
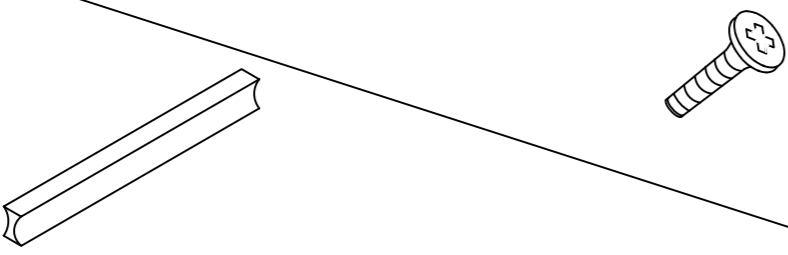
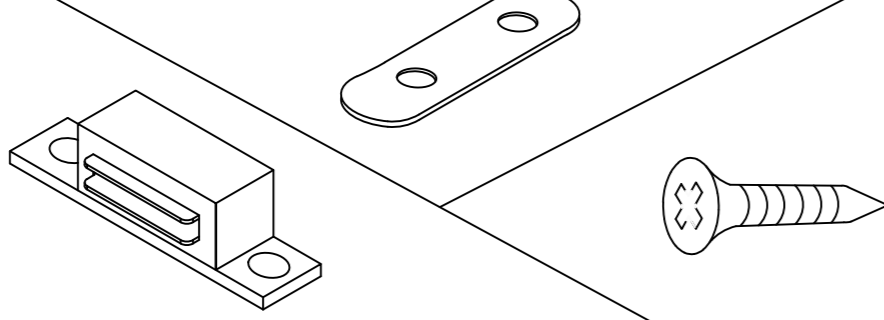
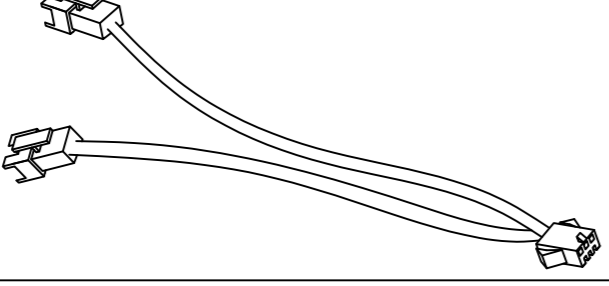
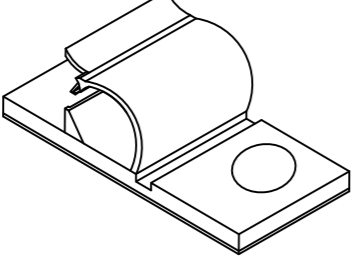
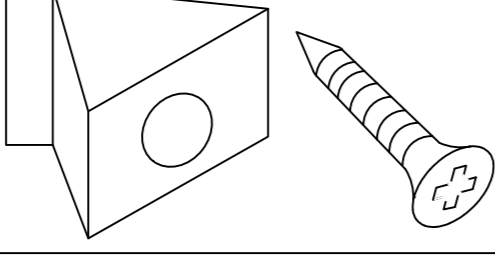
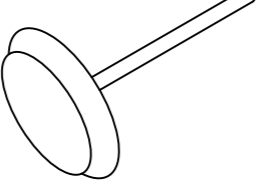
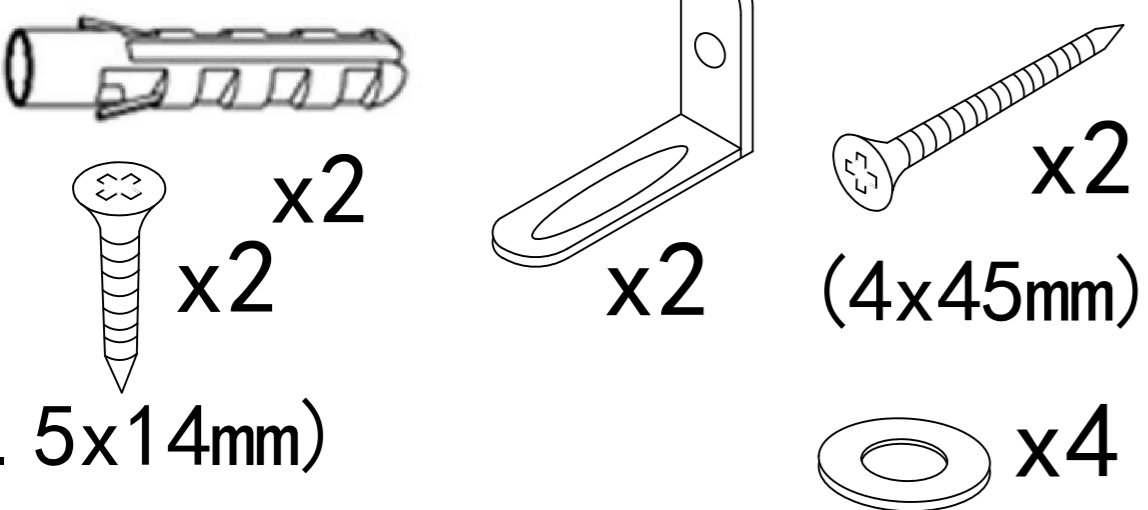
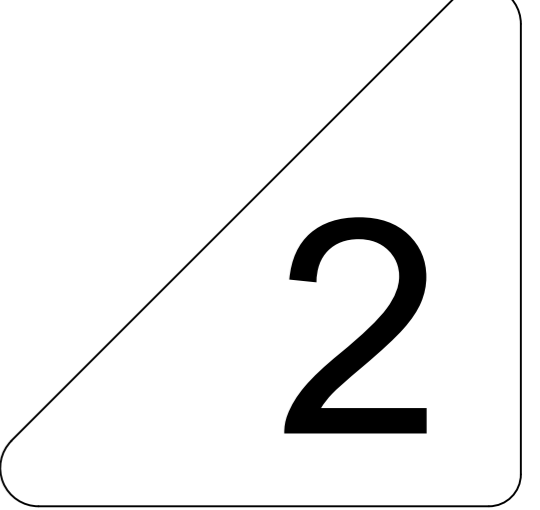


15x1

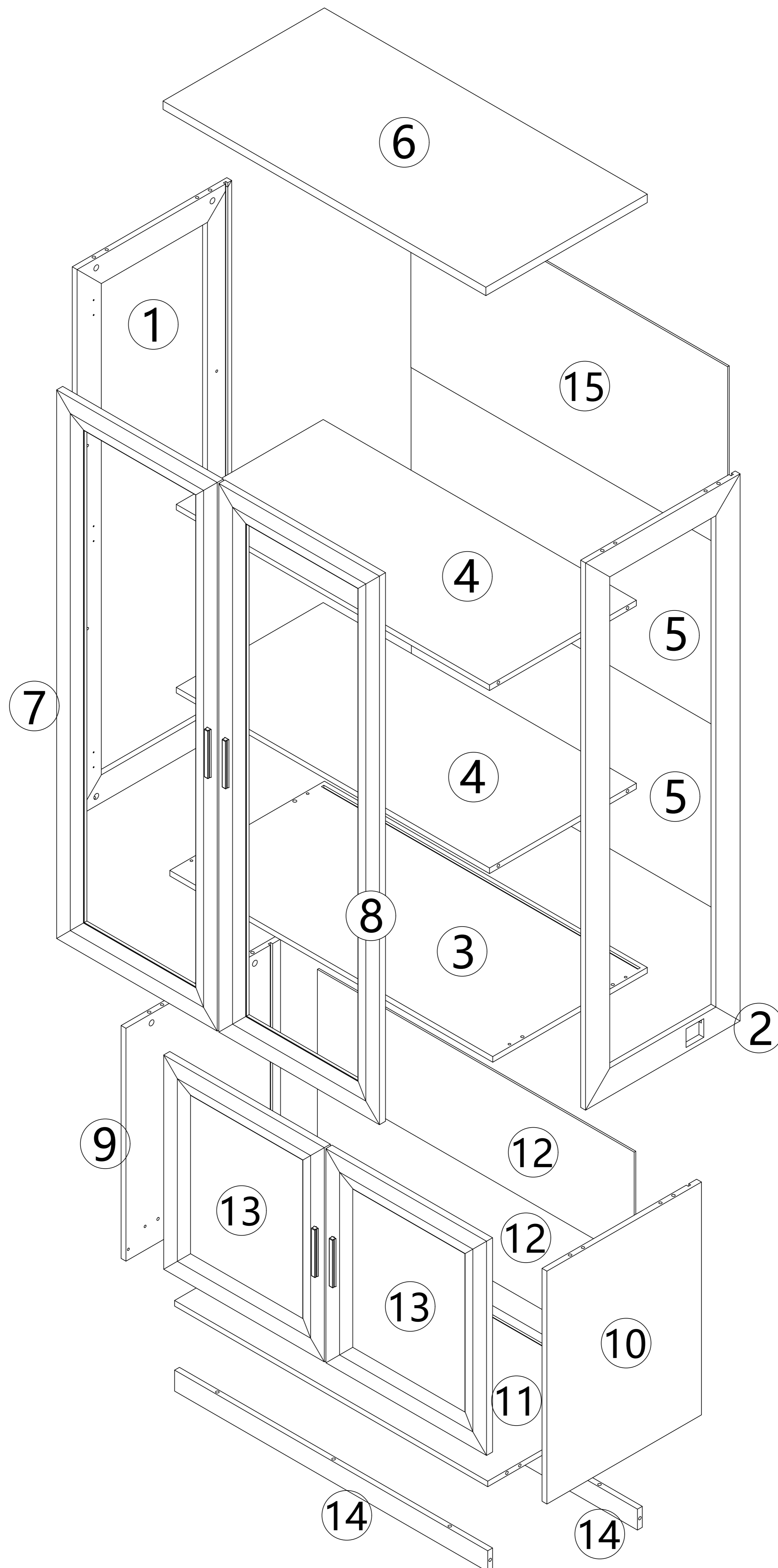


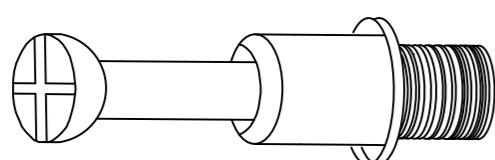
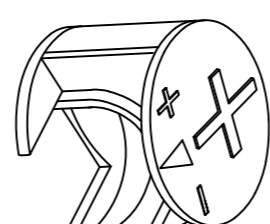

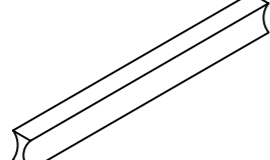

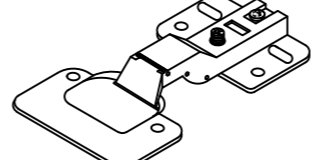
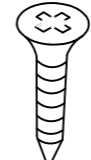
1

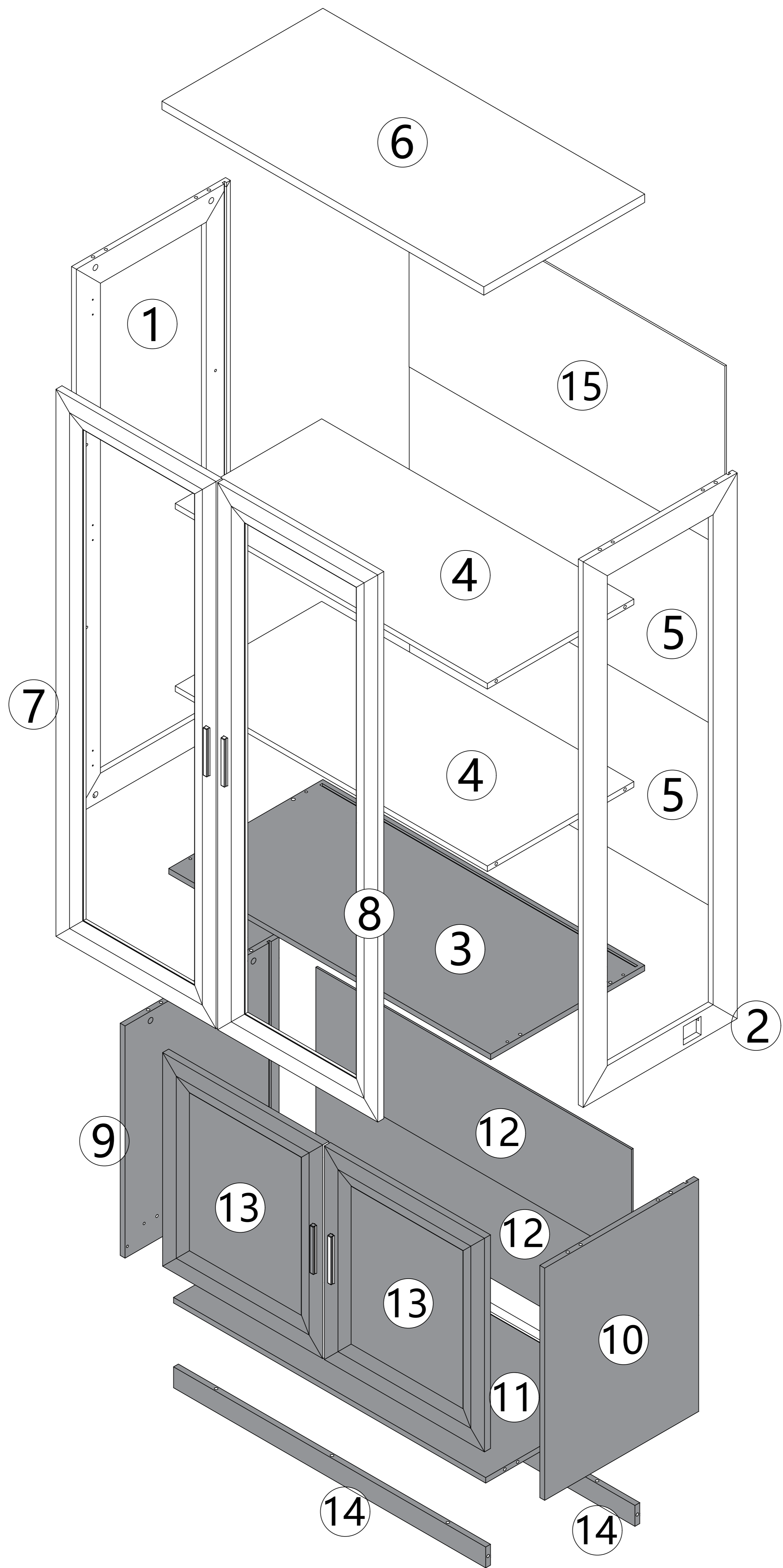
Accessories list

<p>A</p>		<p>Two In One Screw (6x28mm)</p>	<p>34pcs +4pcs</p>
<p>B</p>		<p>Two In One Nut (10x12mm)</p>	<p>34pcs +4pcs</p>
<p>C</p>		<p>Wood Chipping (6x30mm)</p>	<p>16pcs +2pcs</p>
<p>D</p>		<p>Handle & screw (4x18mm)</p>	<p>4pcs 8pcs +1pcs</p>
<p>E</p>		<p>Hinge & Screw (3.5x12mm)</p>	<p>6pcs 36pcs +4pcs</p>
<p>F</p>		<p>Magnetic attraction & Iron sheet & screw (3x12mm)</p>	<p>1pcs 2pcs 6pcs +2pcs</p>
<p>G</p>		<p>Non-slip pads (50x10x2mm)</p>	<p>8pcs +2pcs</p>
<p>H</p>		<p>Double end connecting line</p>	<p>1pcs</p>
<p>I</p>		<p>Clamp</p>	<p>3pcs +2pcs</p>
<p>J</p>		<p>Fixing clip & screw (3x16mm)</p>	<p>18pcs +2pcs</p>
<p>K</p>		<p>Foot nail</p>	<p>2pcs +2pcs</p>
		<p>AC/DC Adapter (12V=2.0A)</p>	<p>1pcs</p>
<p>L</p> <p>Anti Fall Hardware</p>  <p>(3.5x14mm) x2 x2 (4x45mm) x2 x4</p>	 <p>1pcs</p> <p>Double-head screwdriver, use as required</p>		 <p>2</p>

Product structure decomposition

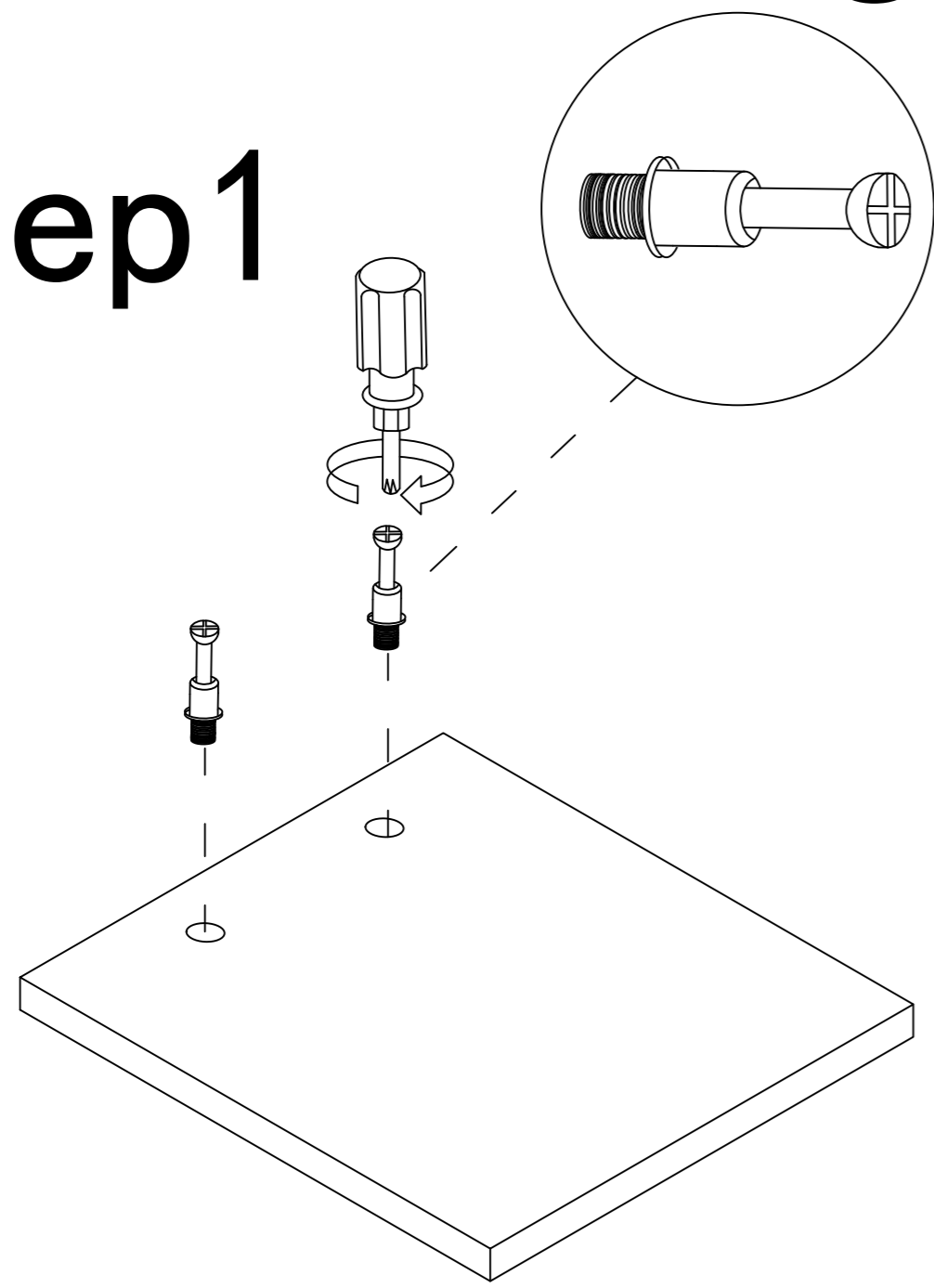


A		18pcs	B		18pcs	C		8pcs
D	 2pcs	 4pcs	E	 4pcs	 24pcs			

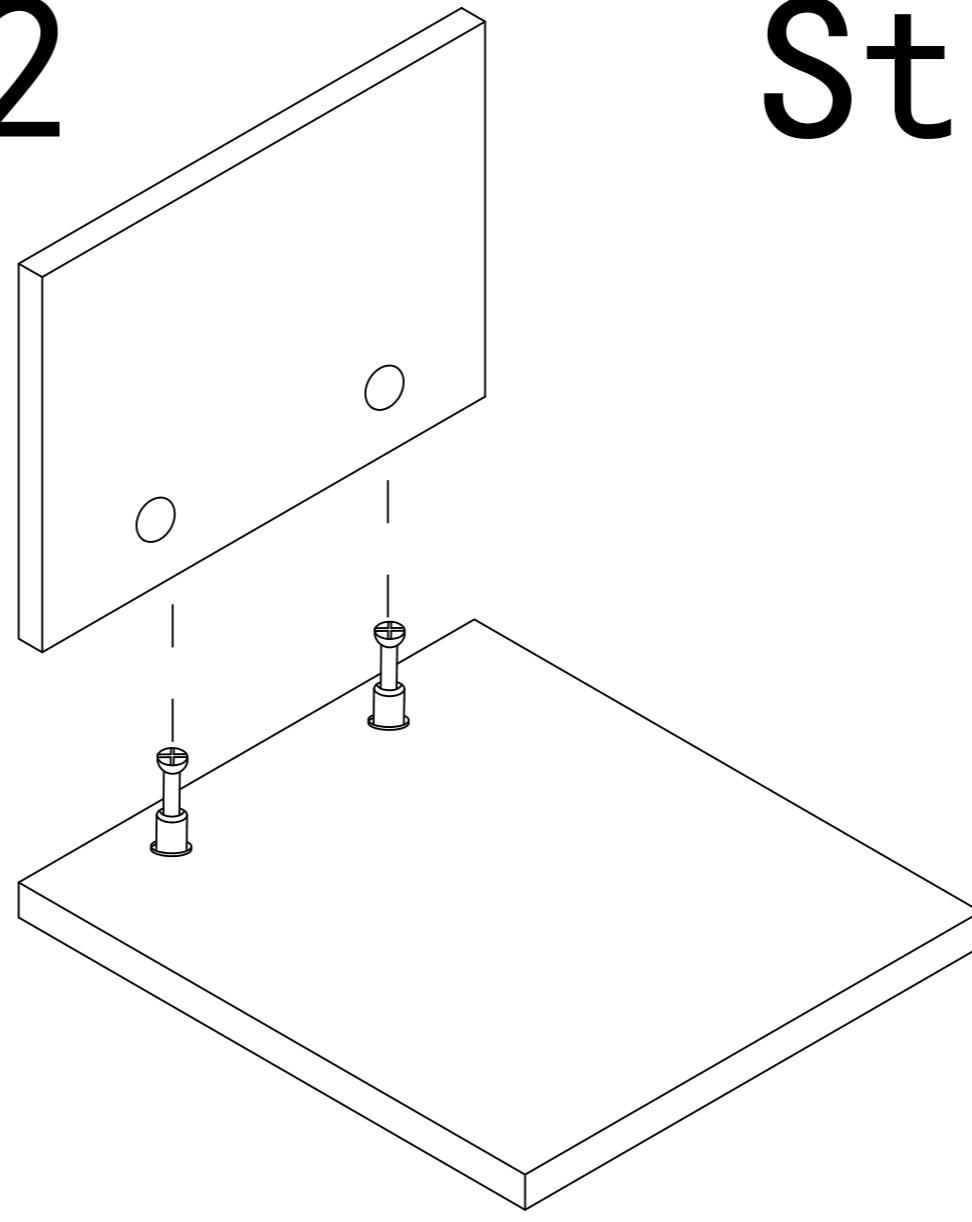


Use parts A and B

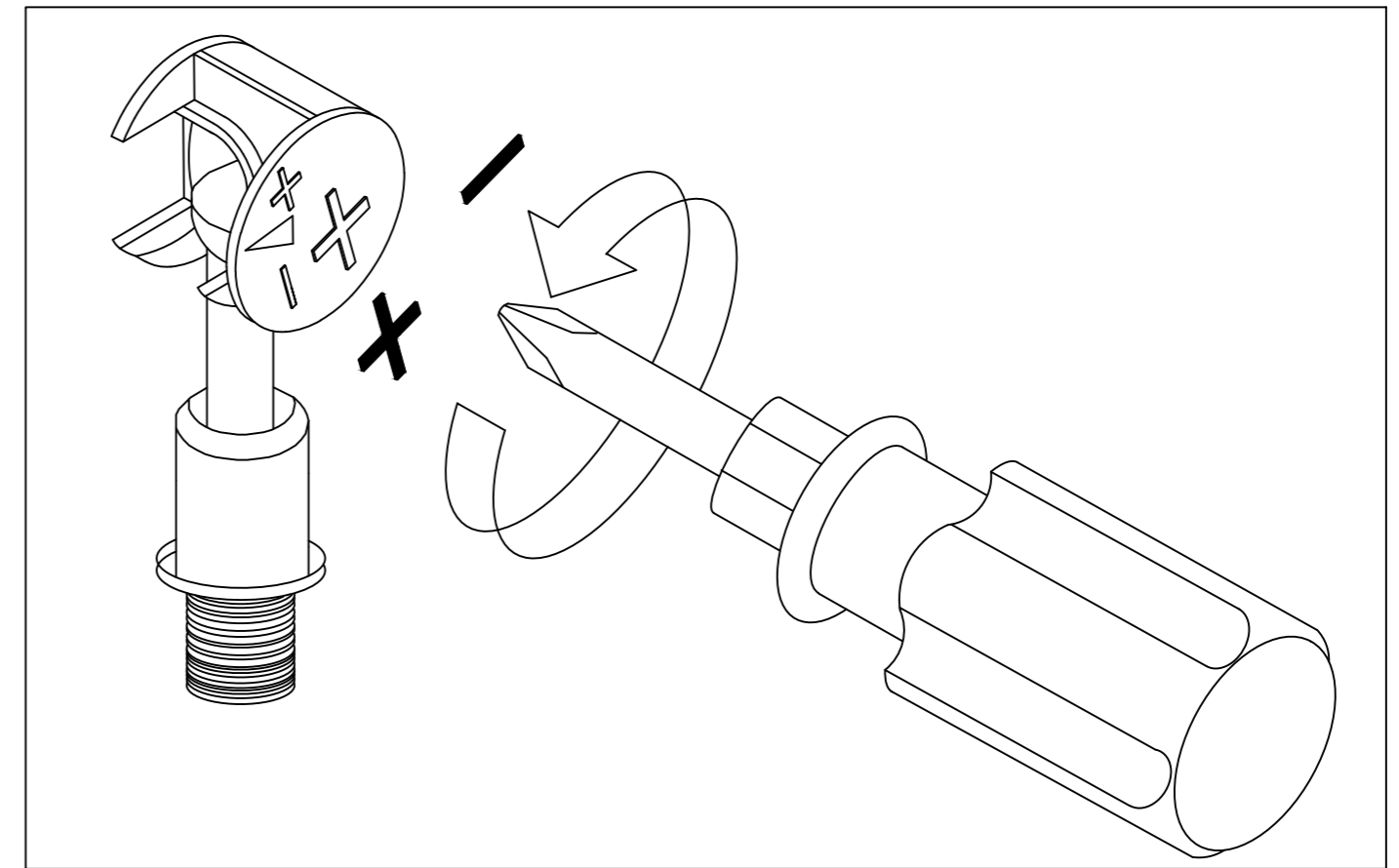
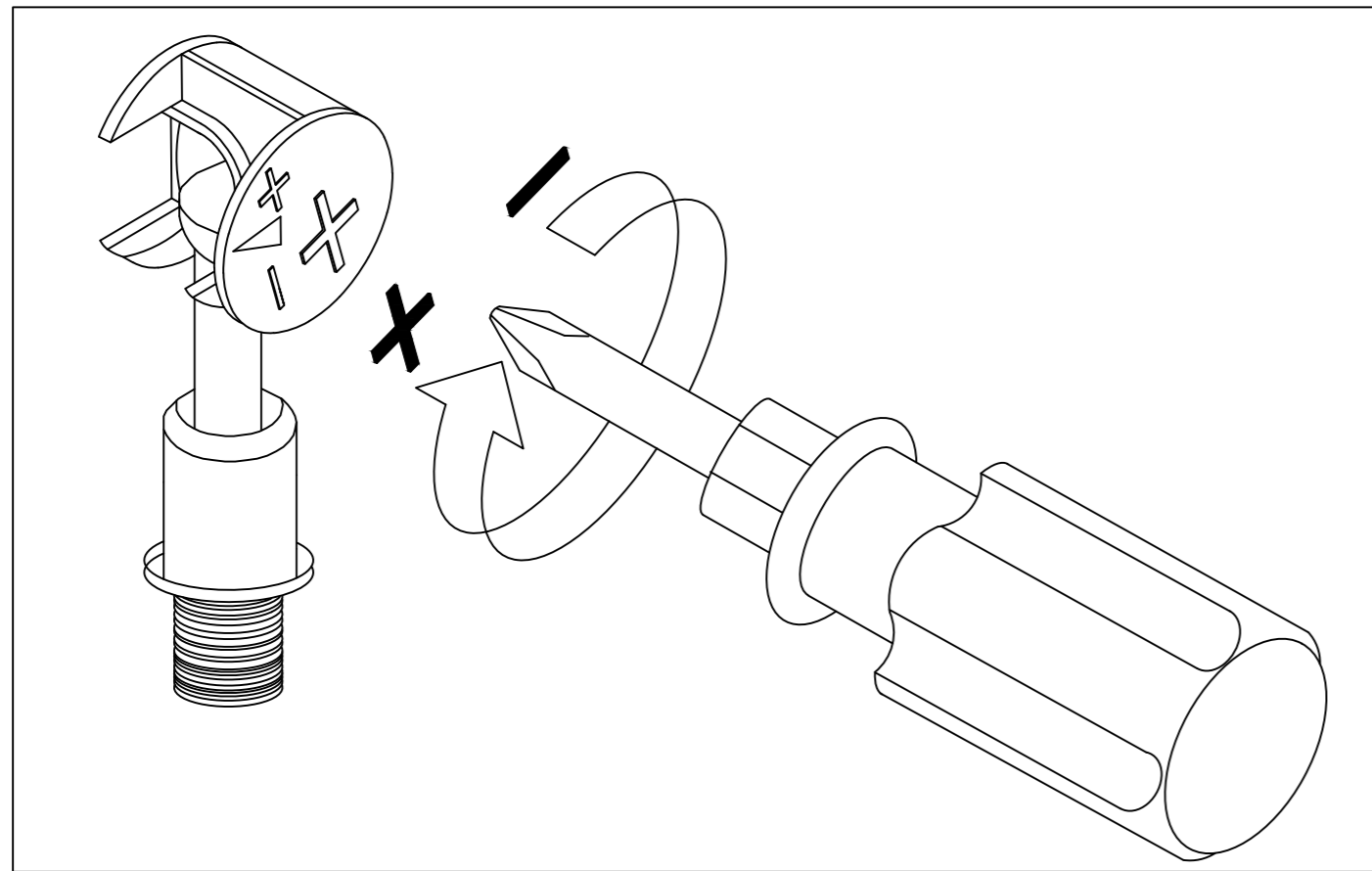
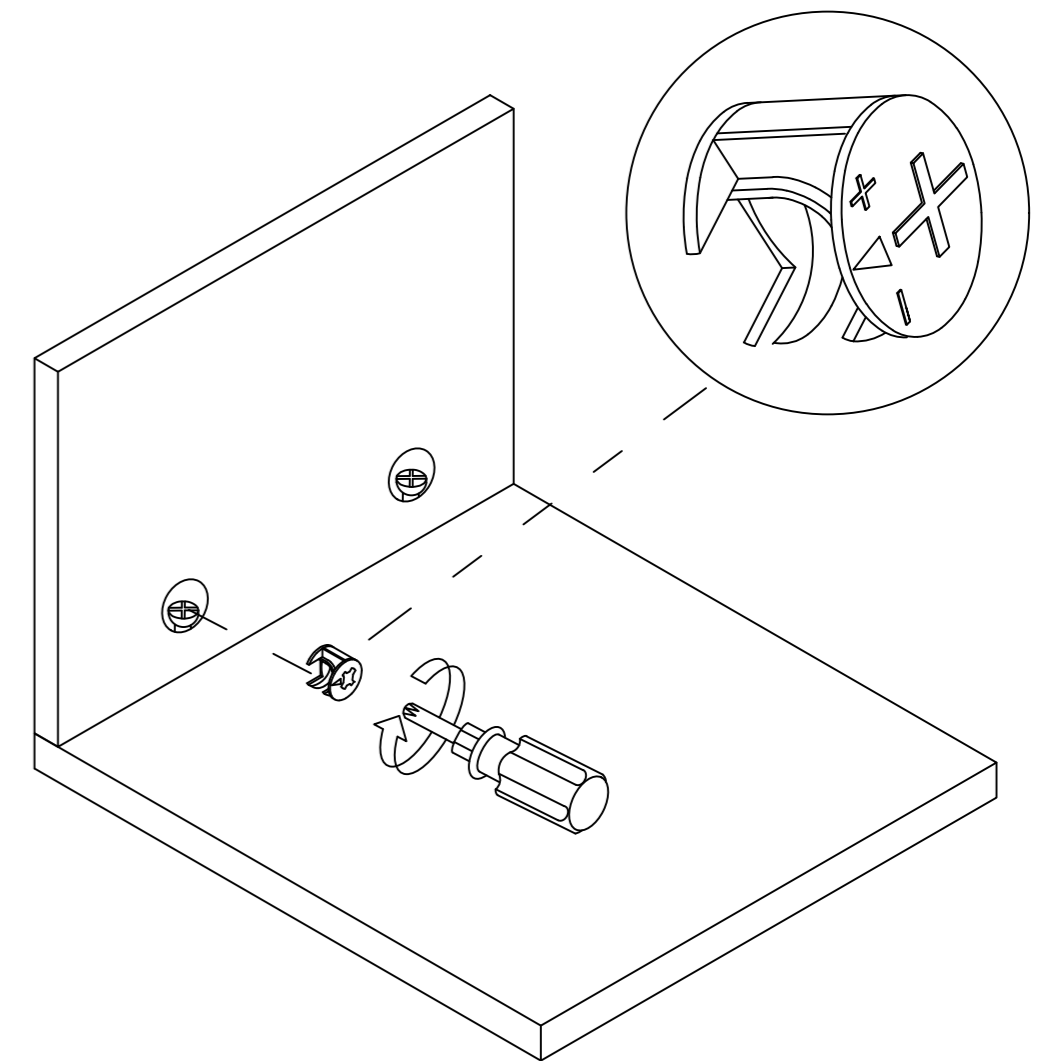
Step 1



Step 2



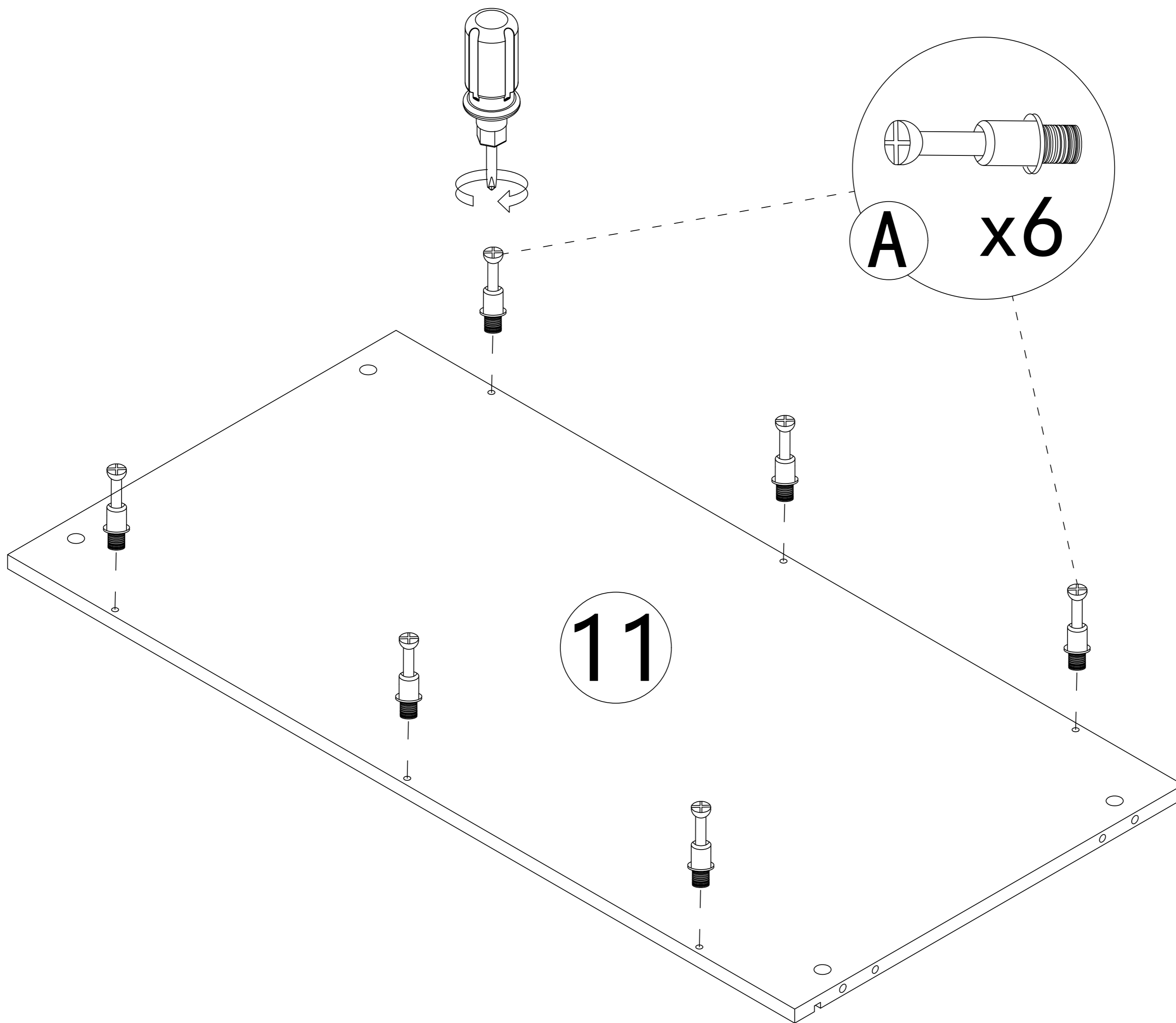
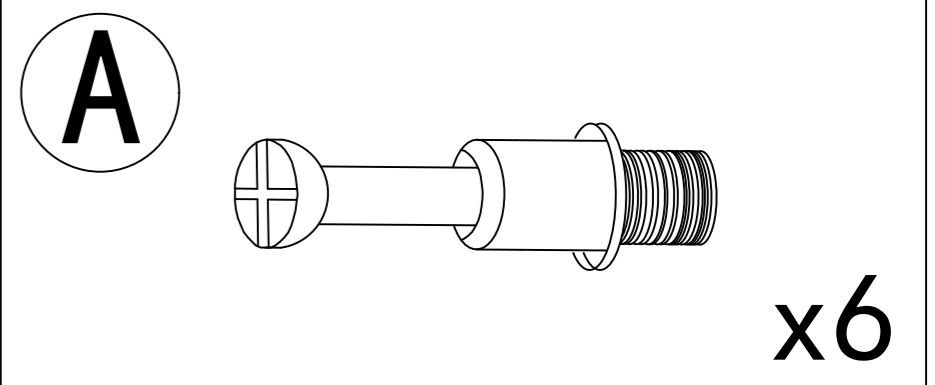
Step 3



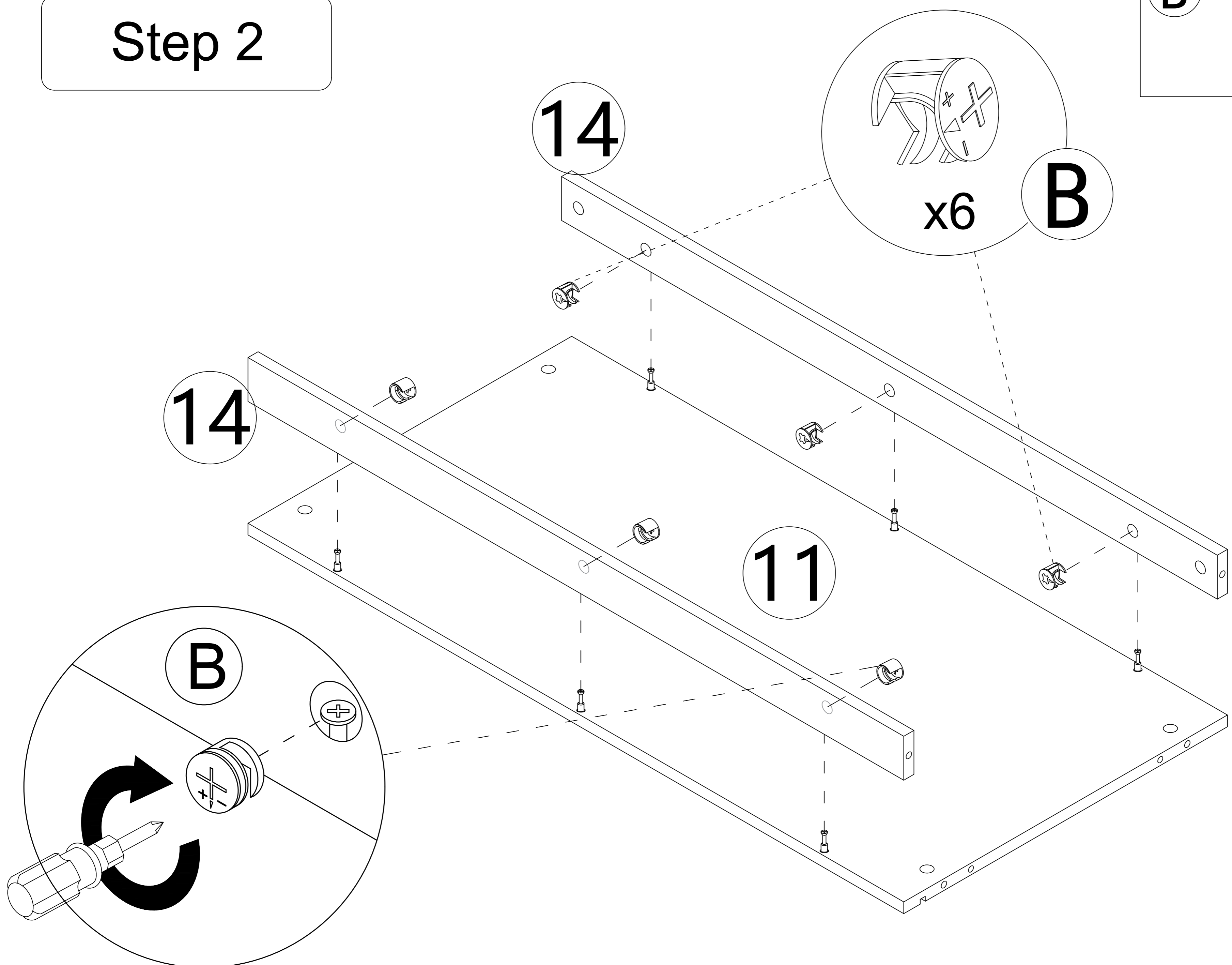
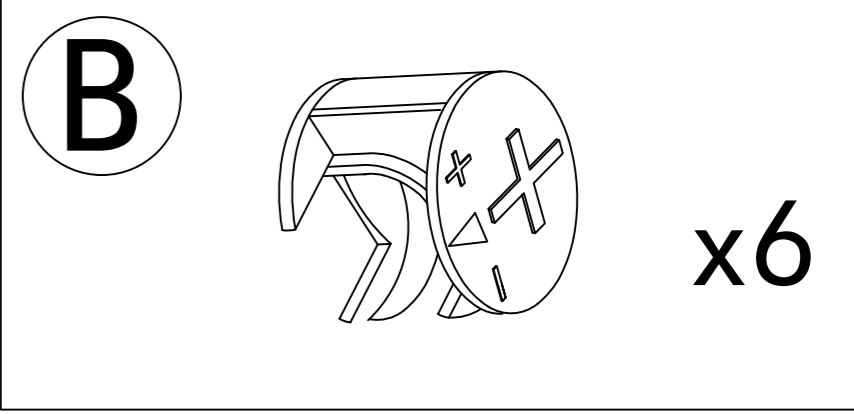
Use a screwdriver to lock in the direction of the "+" sign

Disassemble along the direction of "-" sign

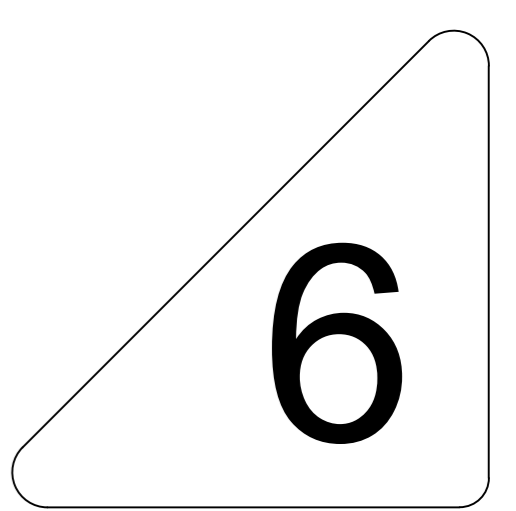
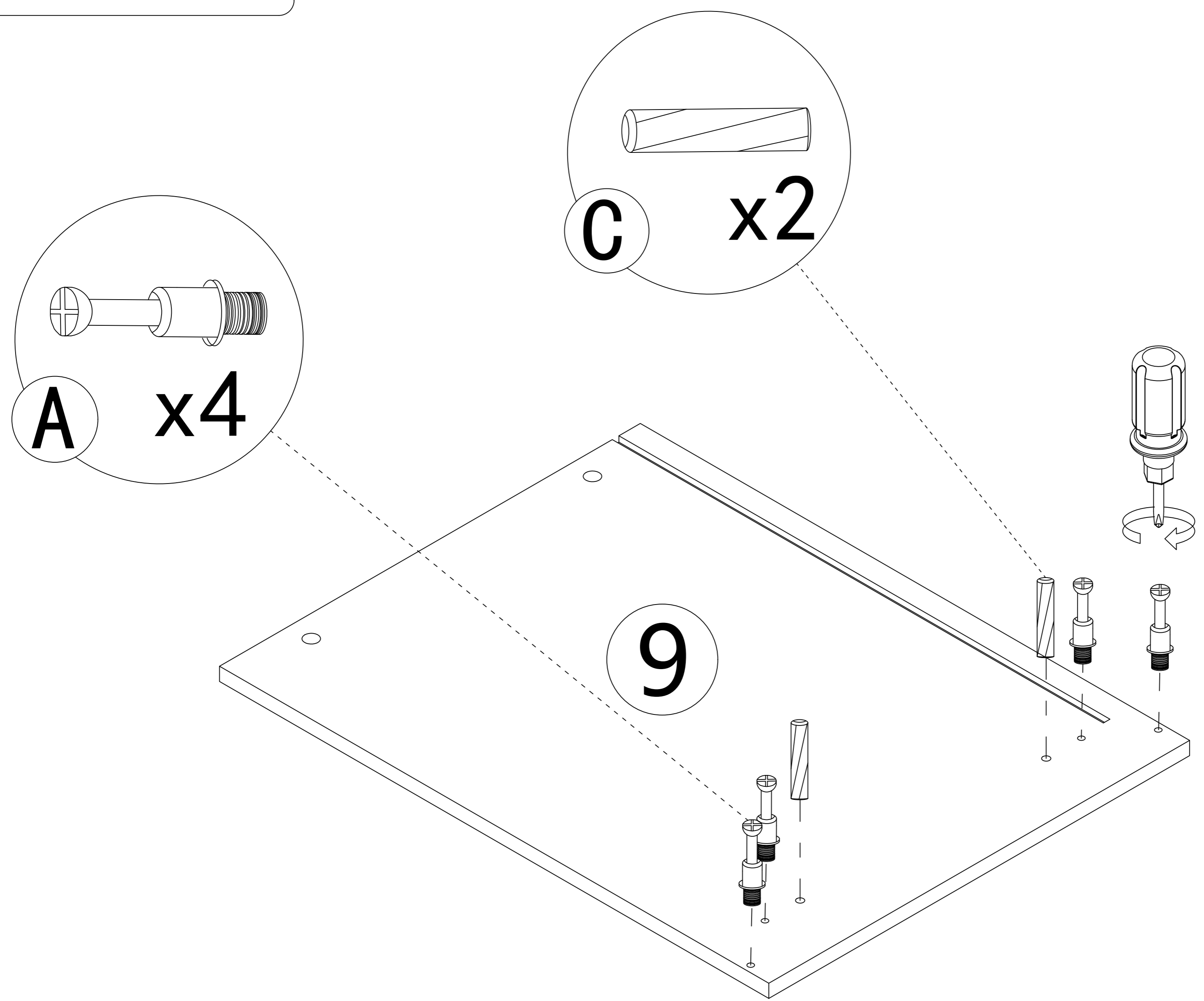
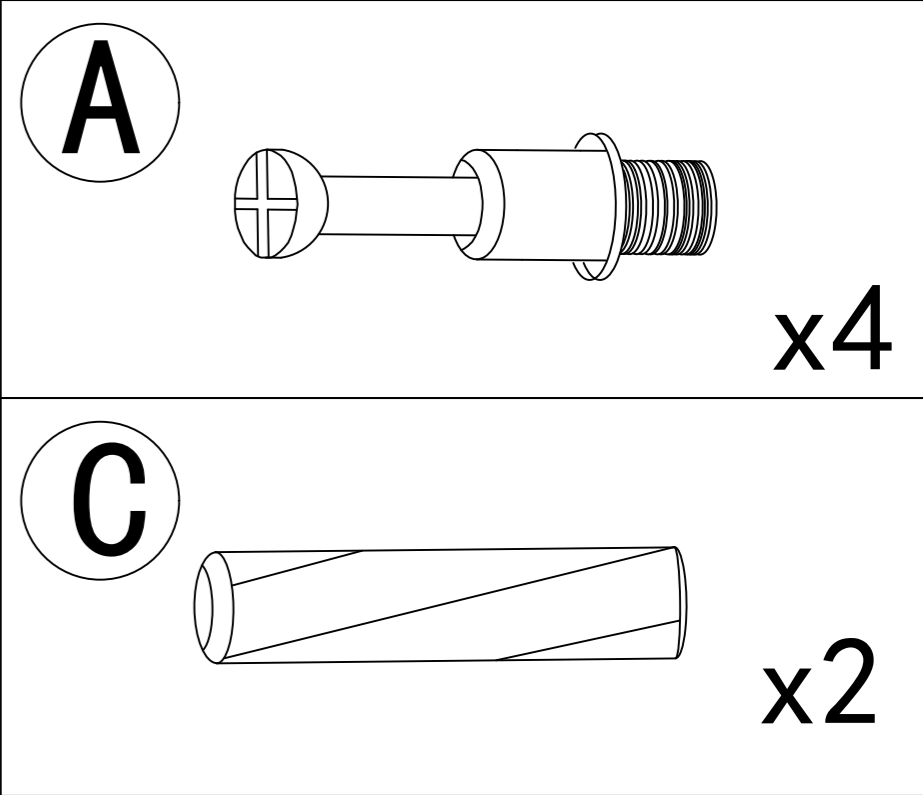
Step 1



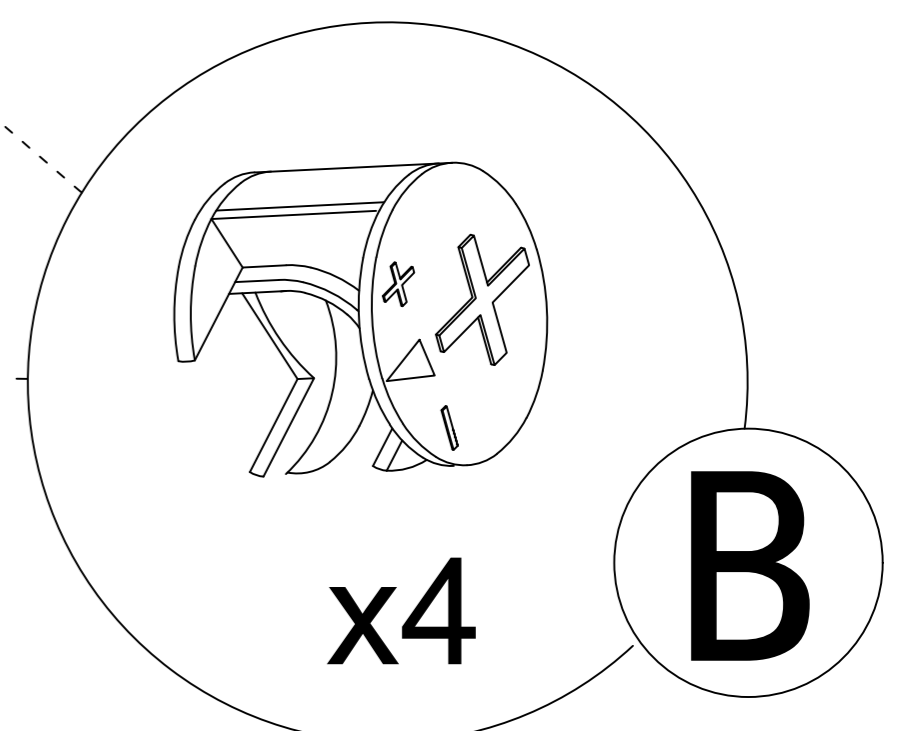
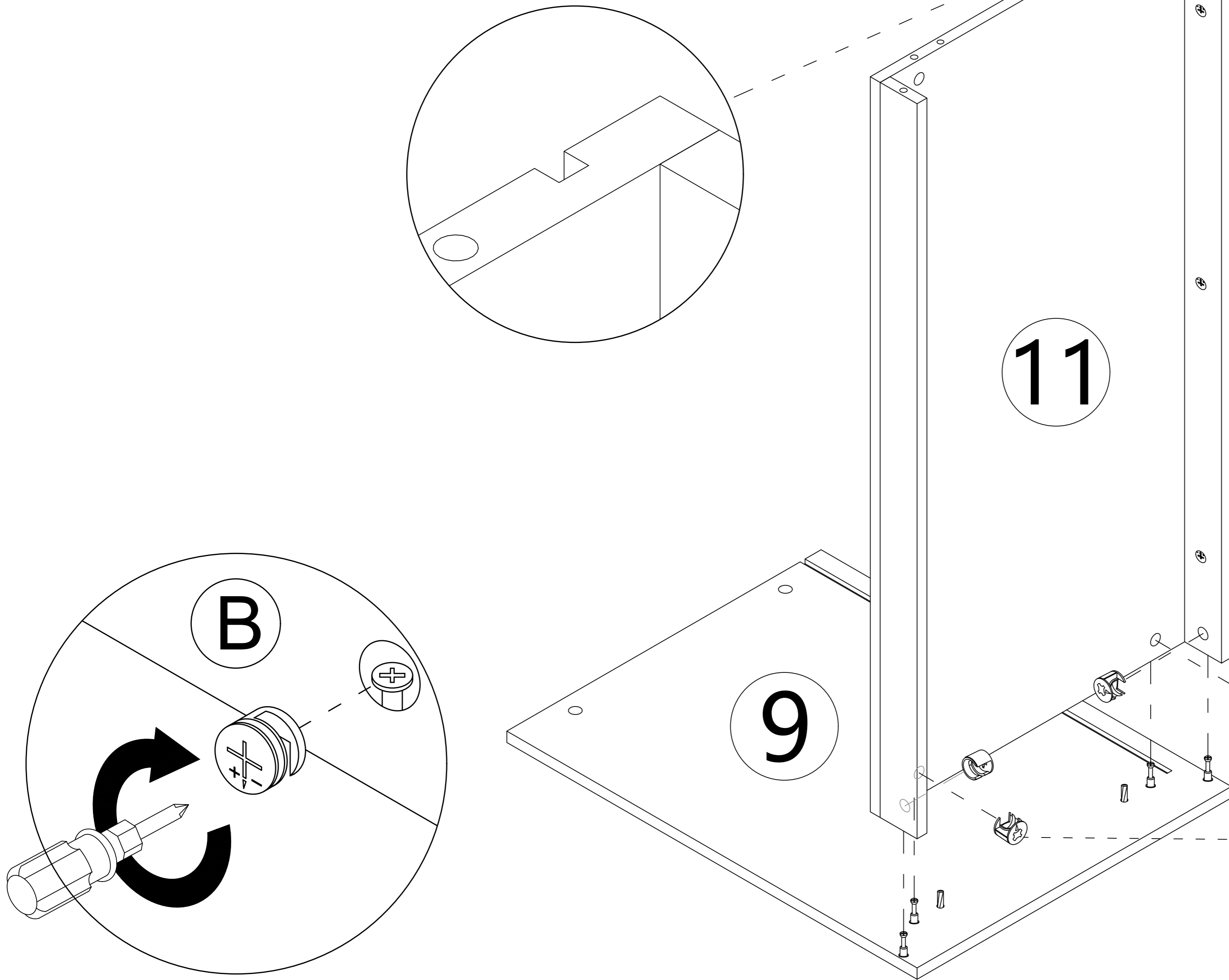
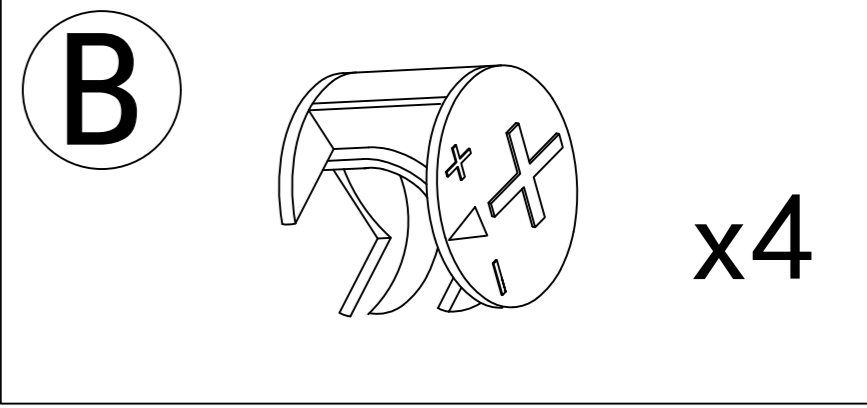
Step 2



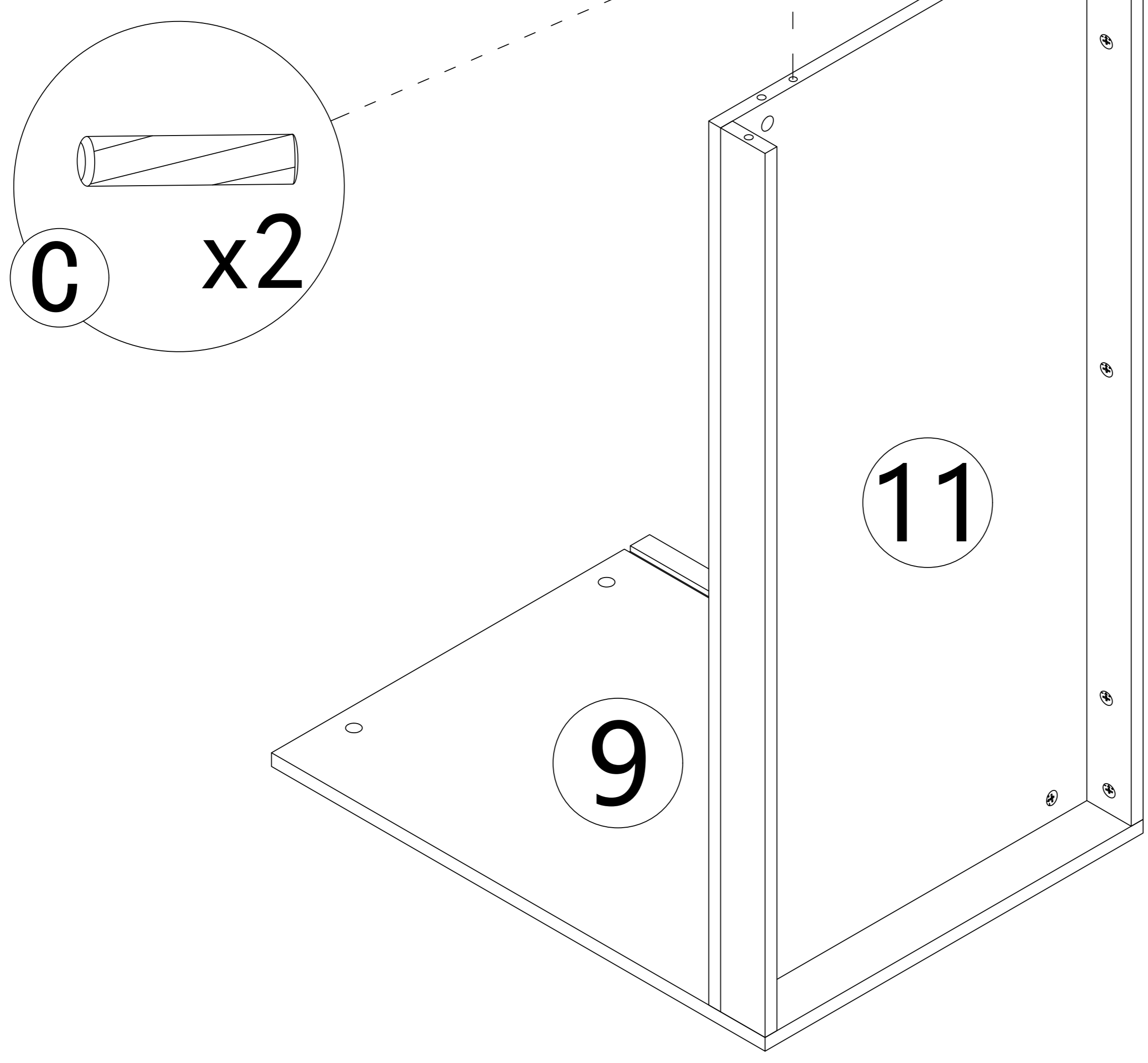
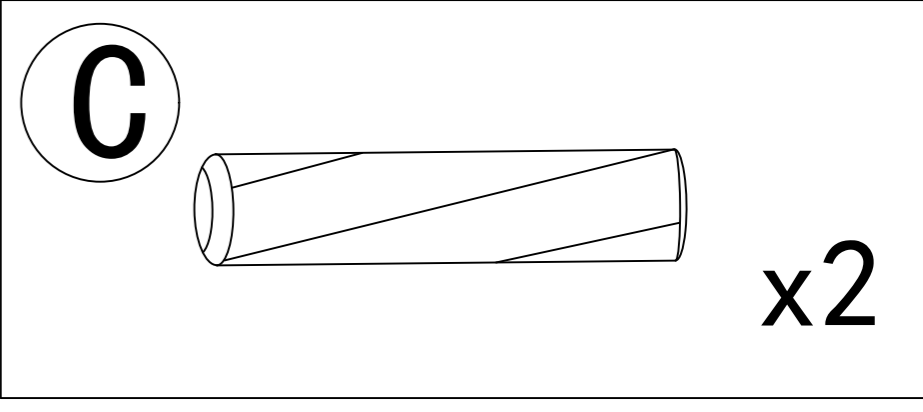
Step 3



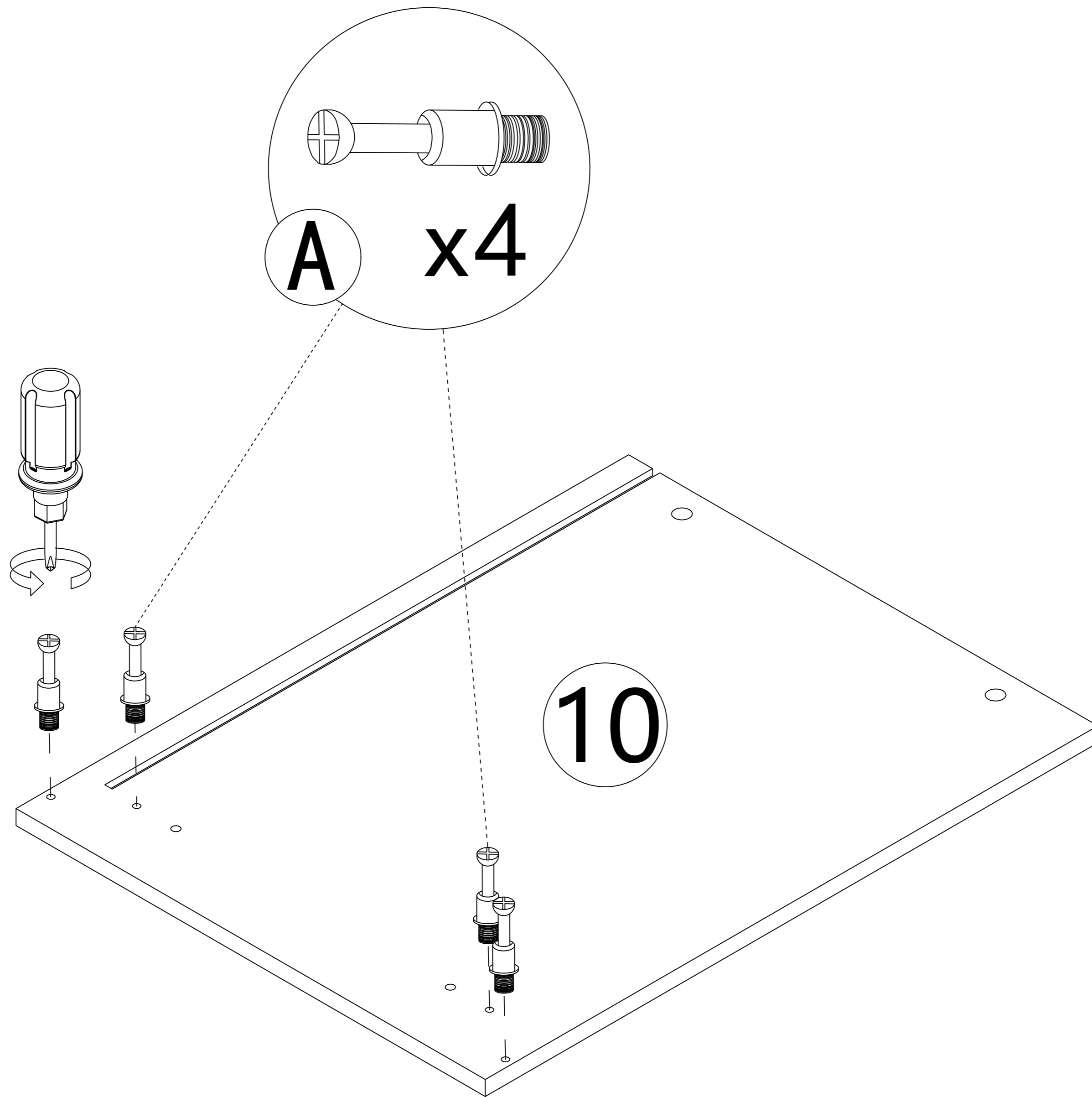
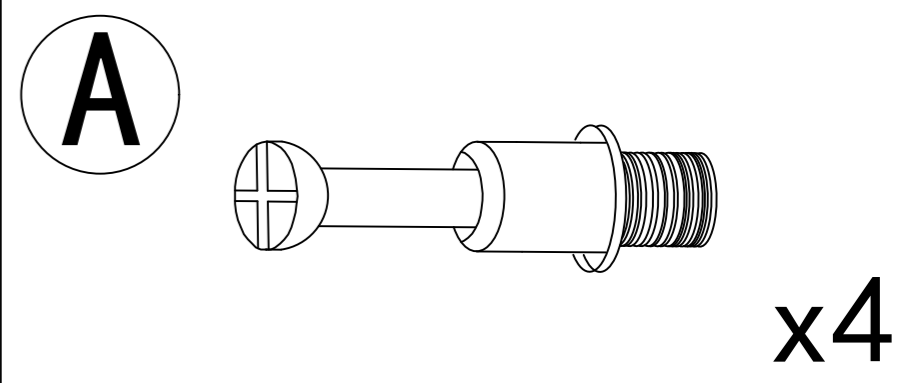
Step 4



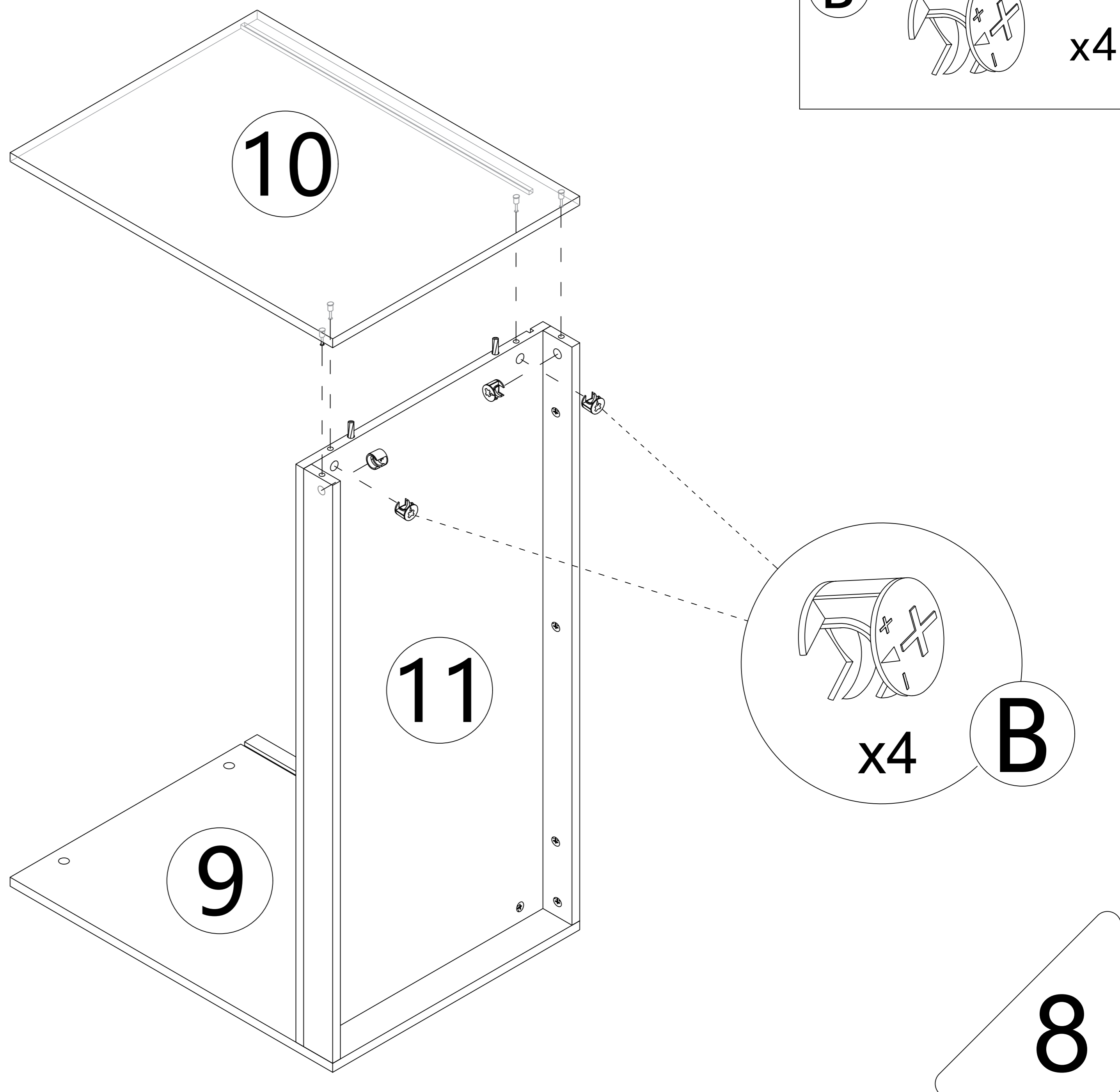
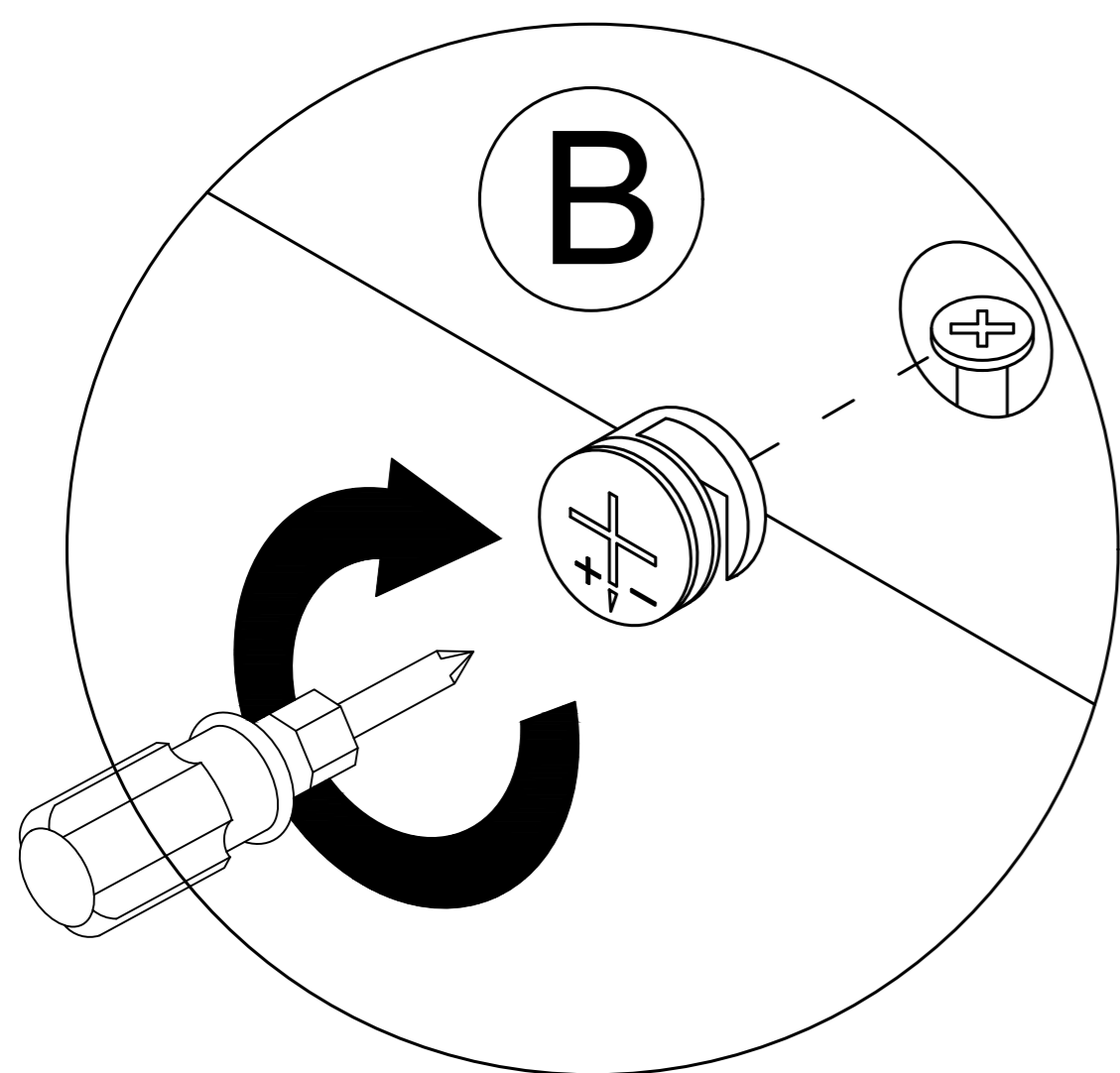
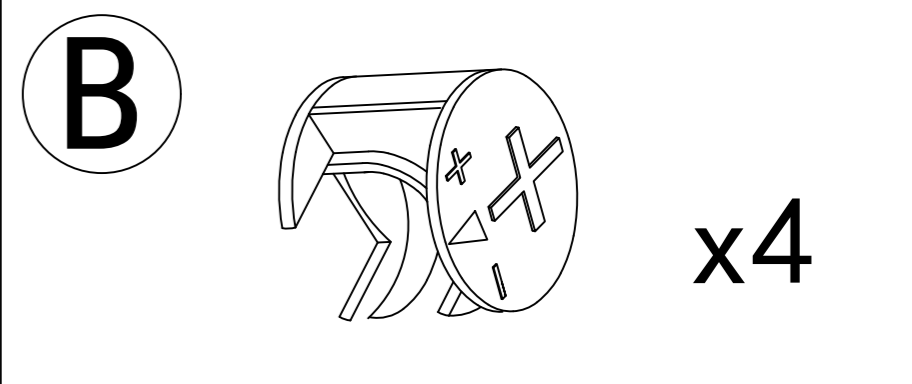
Step 5



Step 6

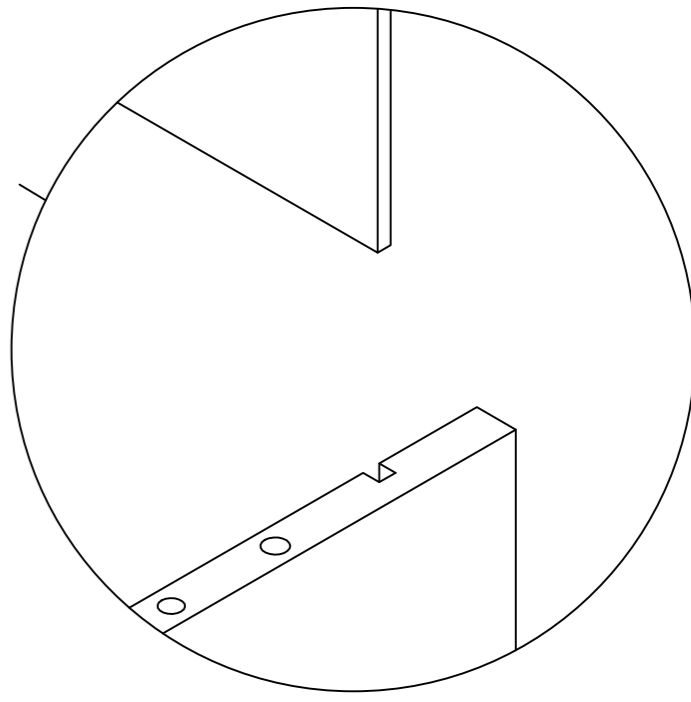
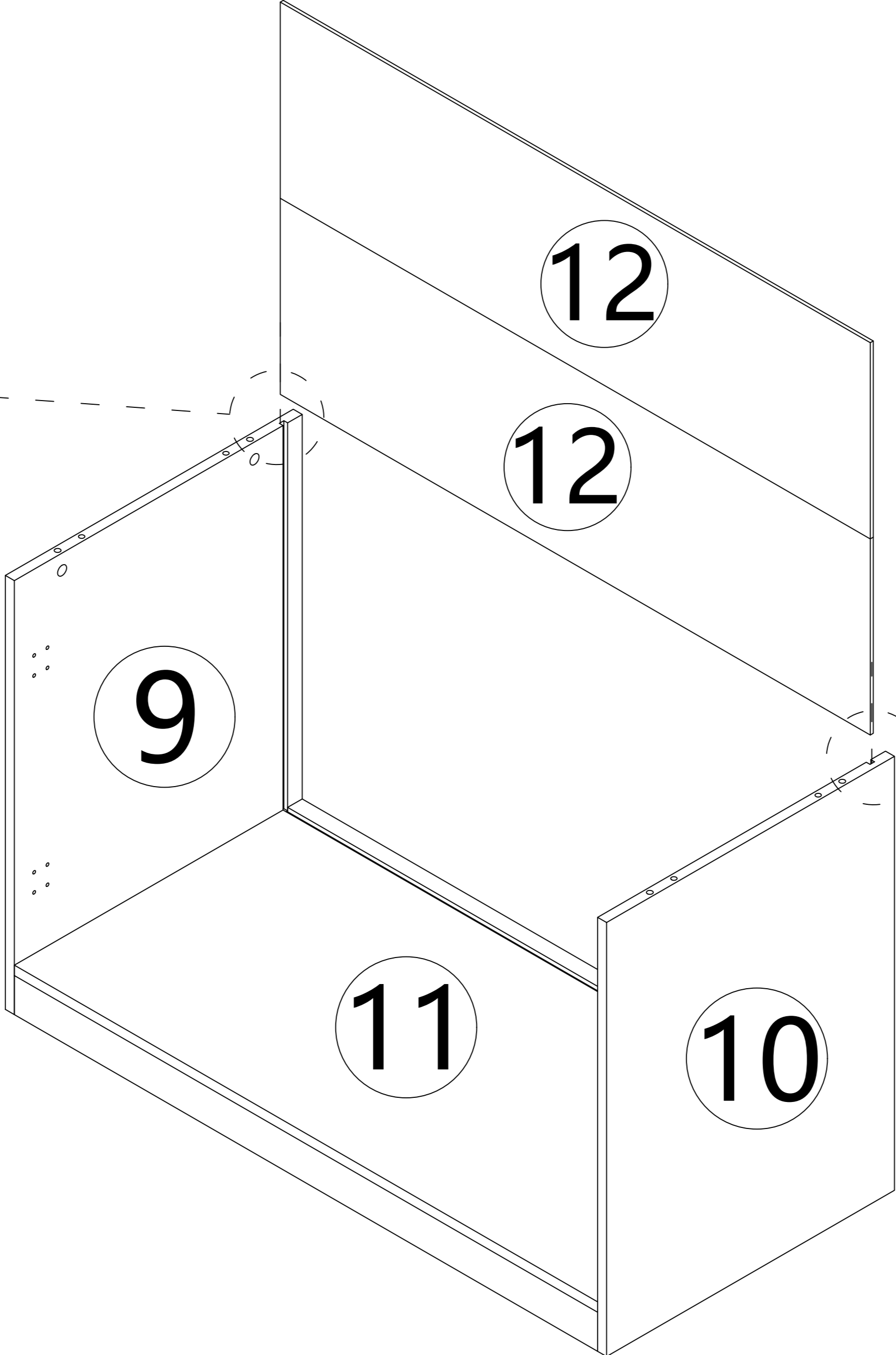
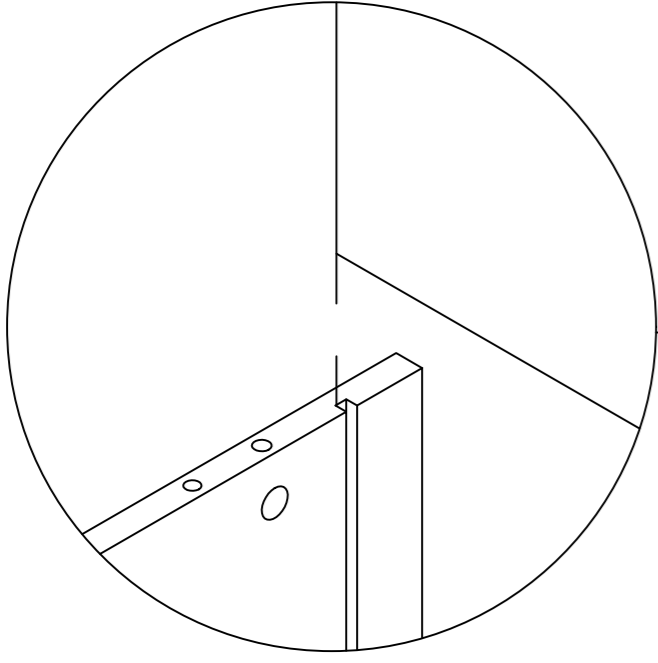


Step 7

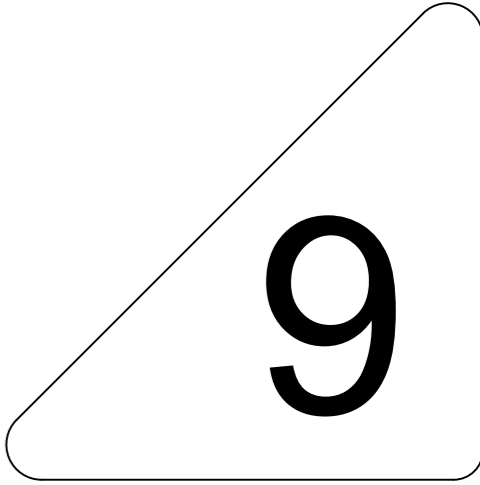
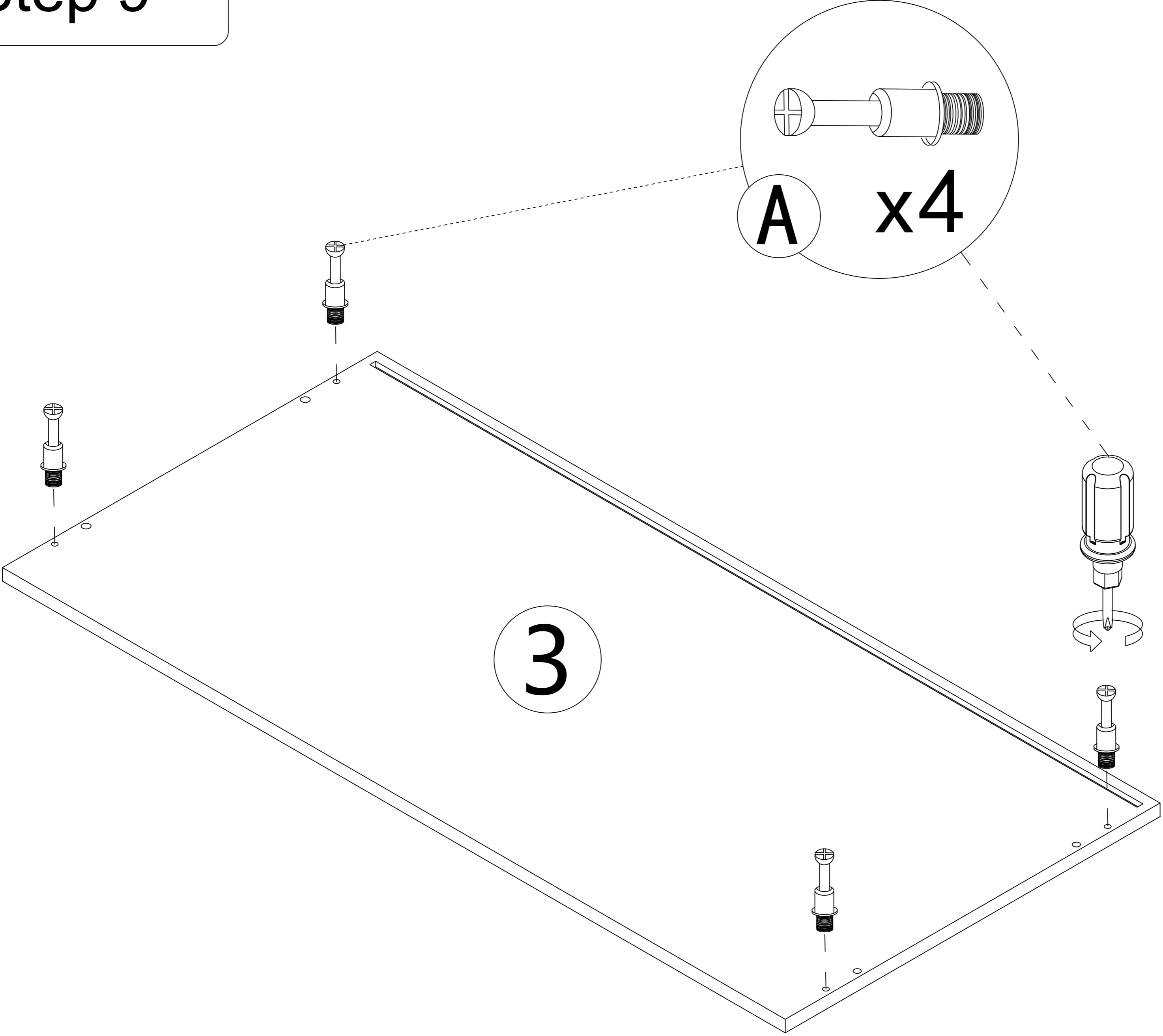
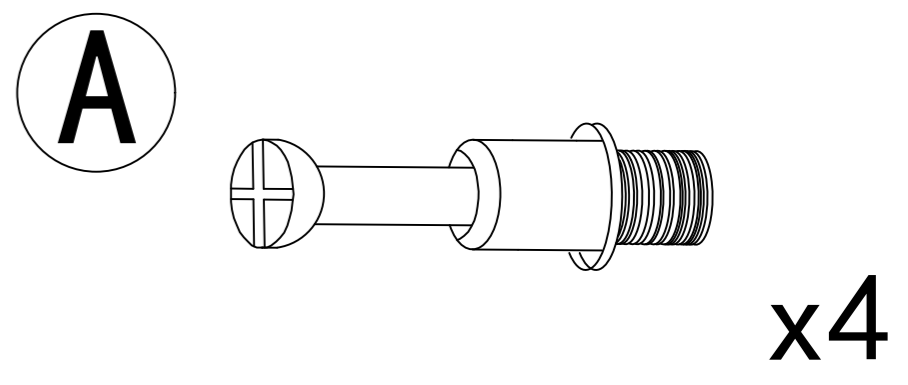


Step 8

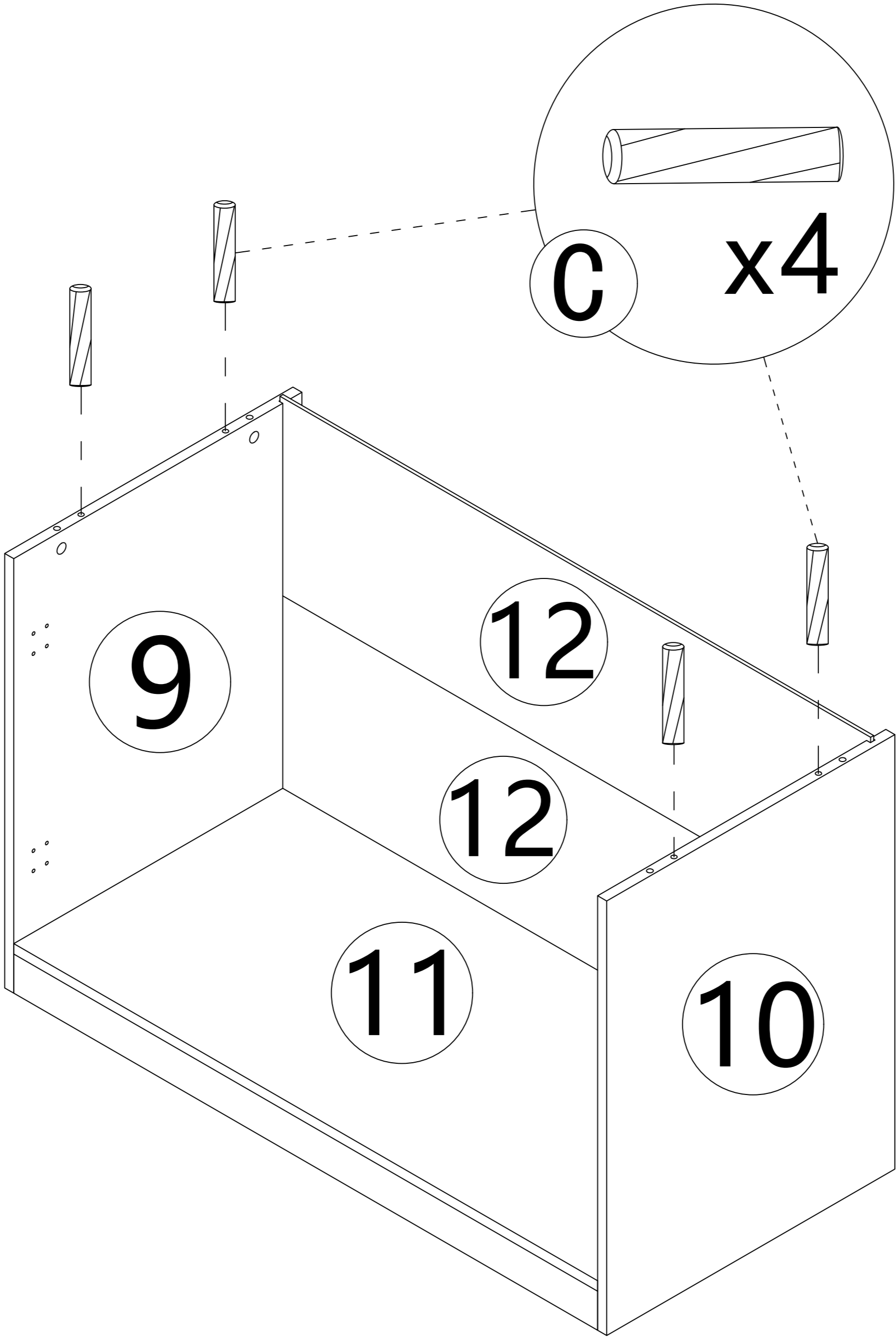
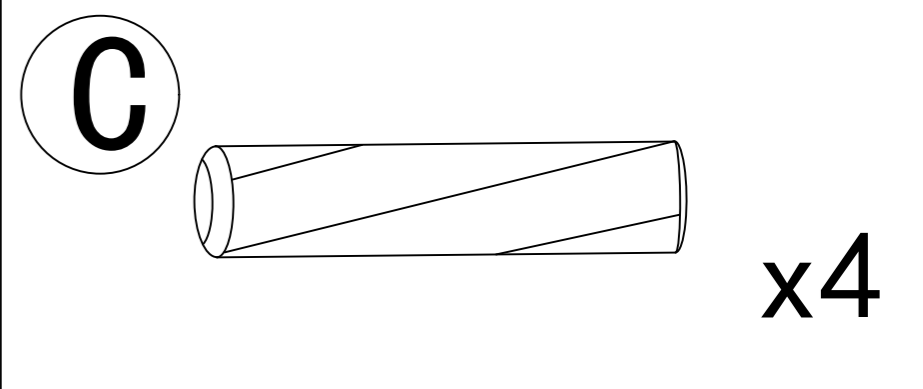
Snap the backplane into the slot



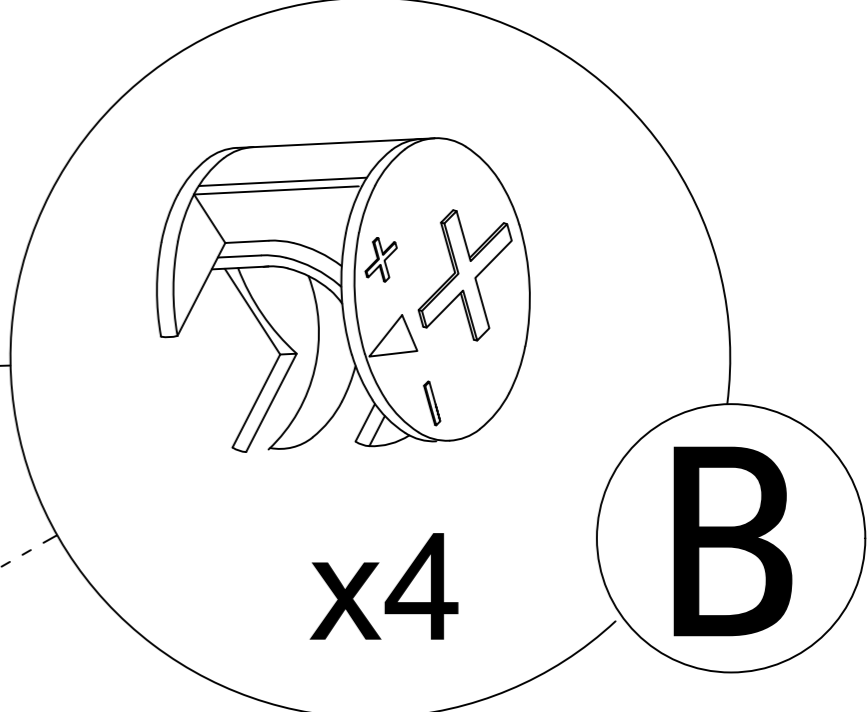
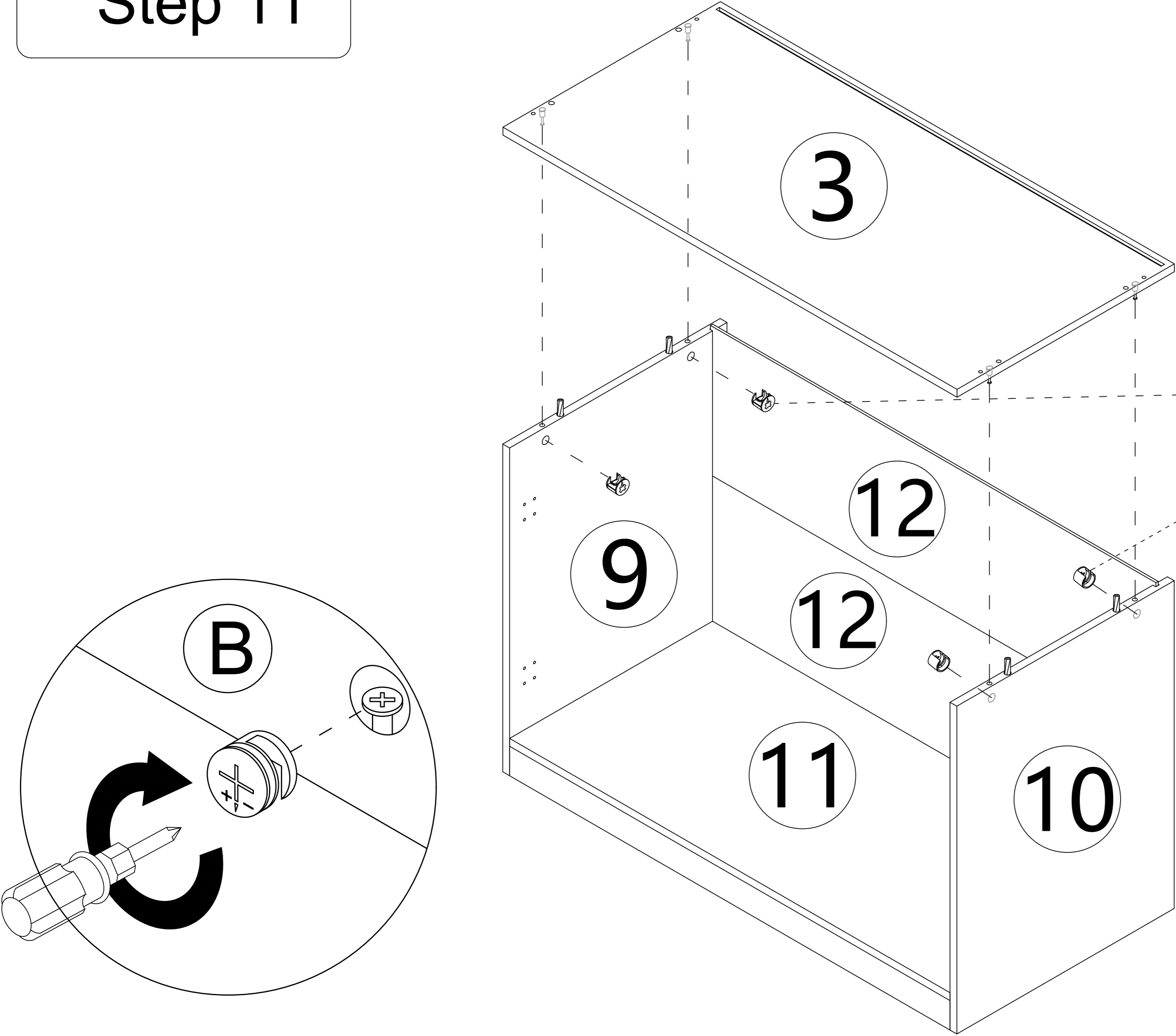
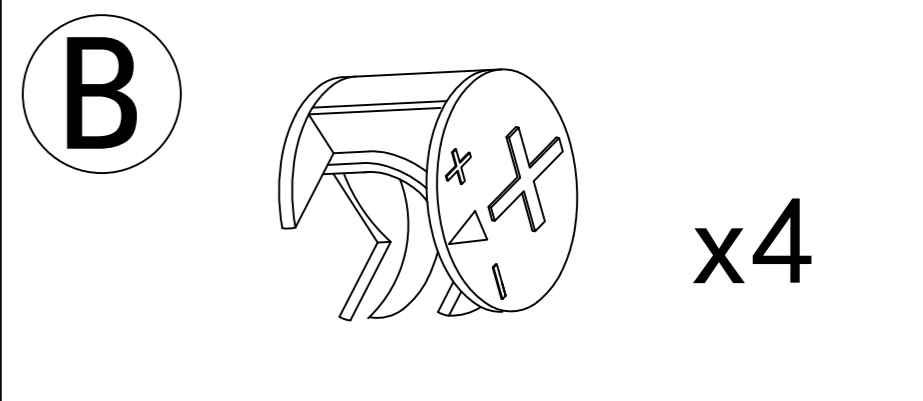
Step 9



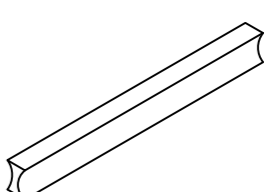
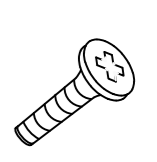
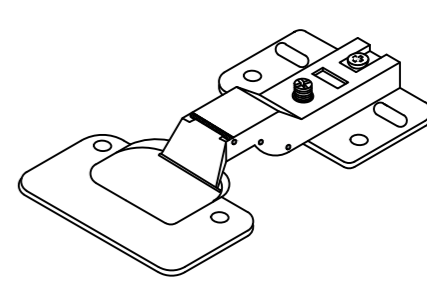
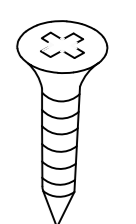
Step 10



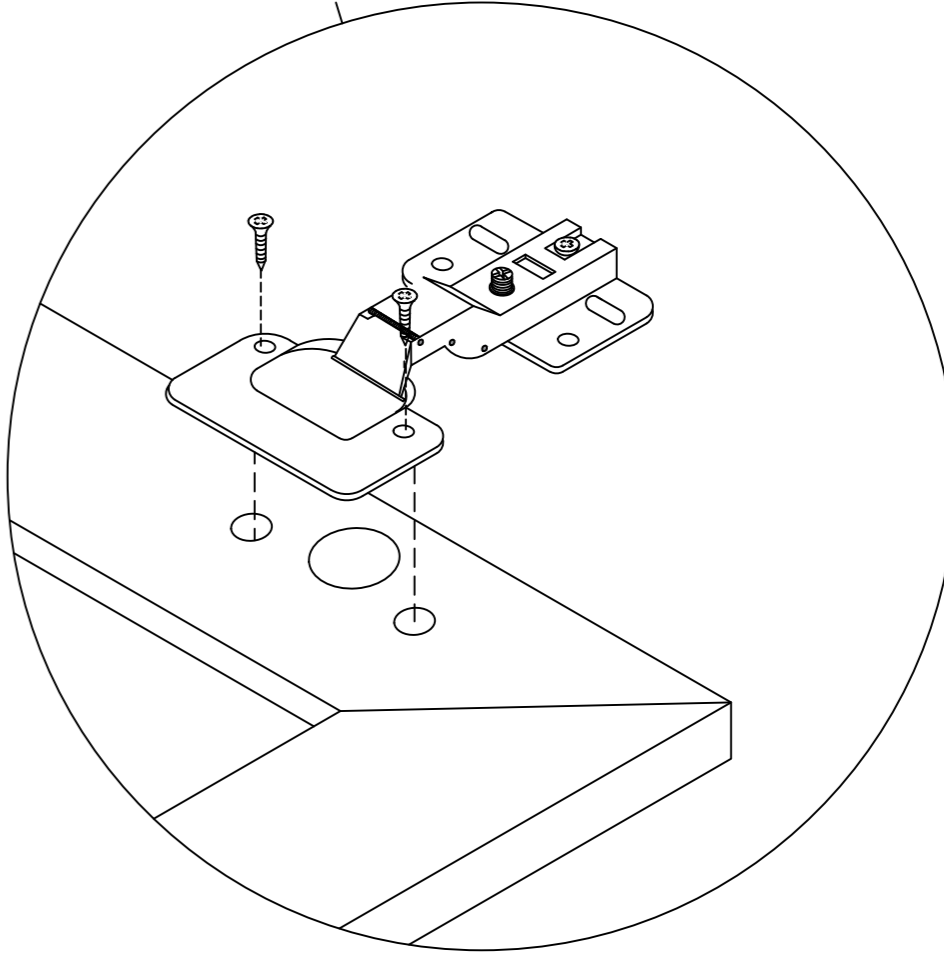
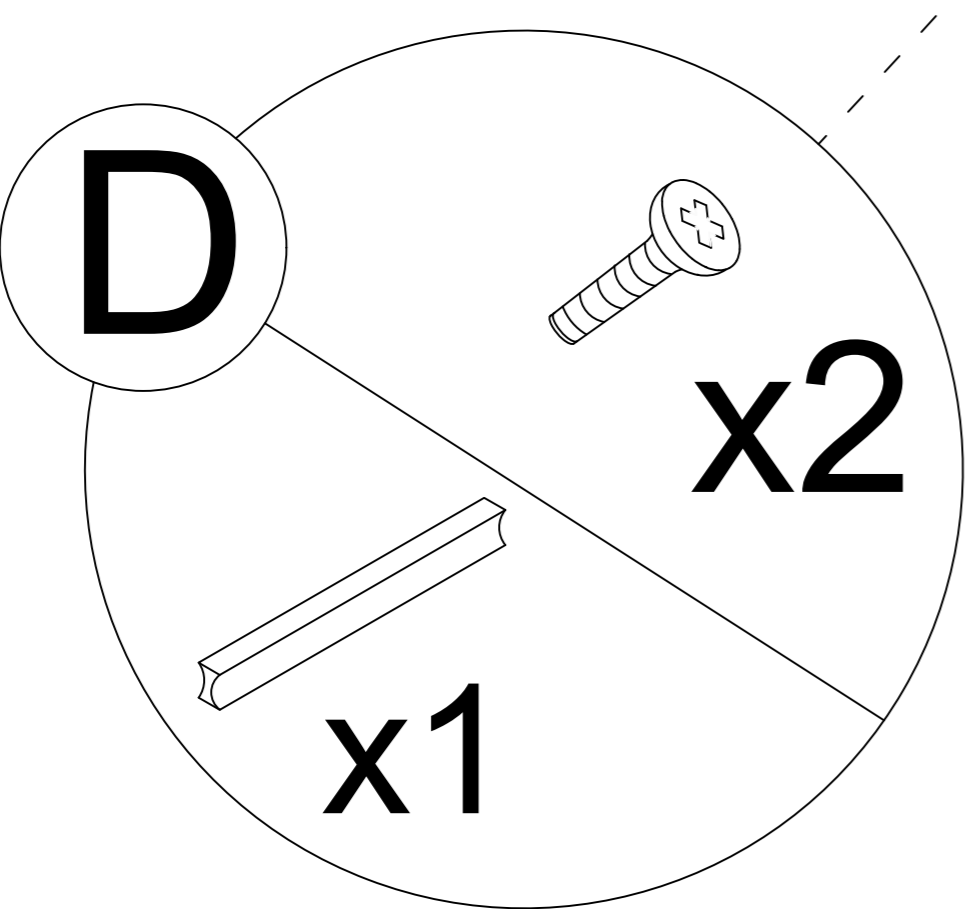
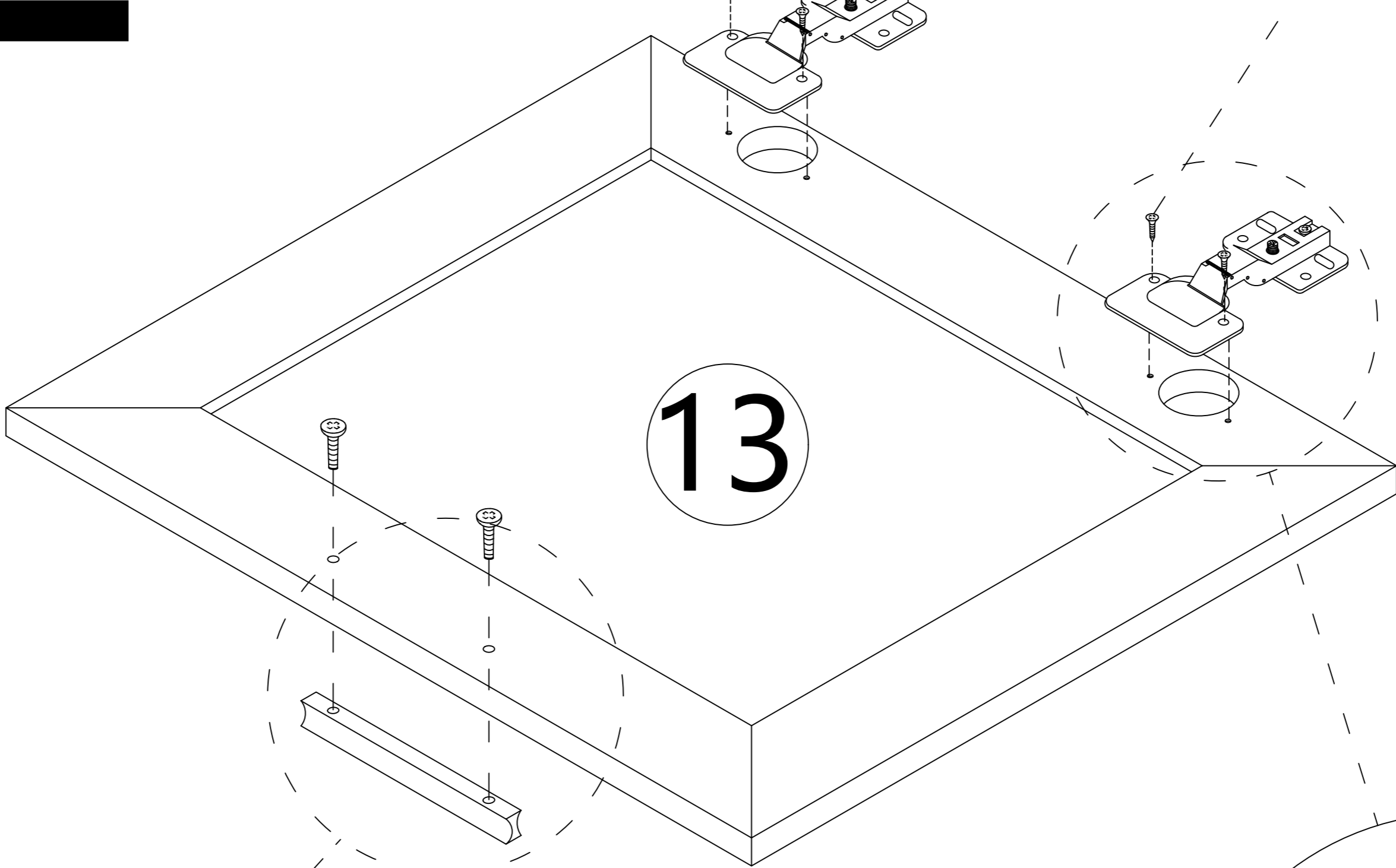
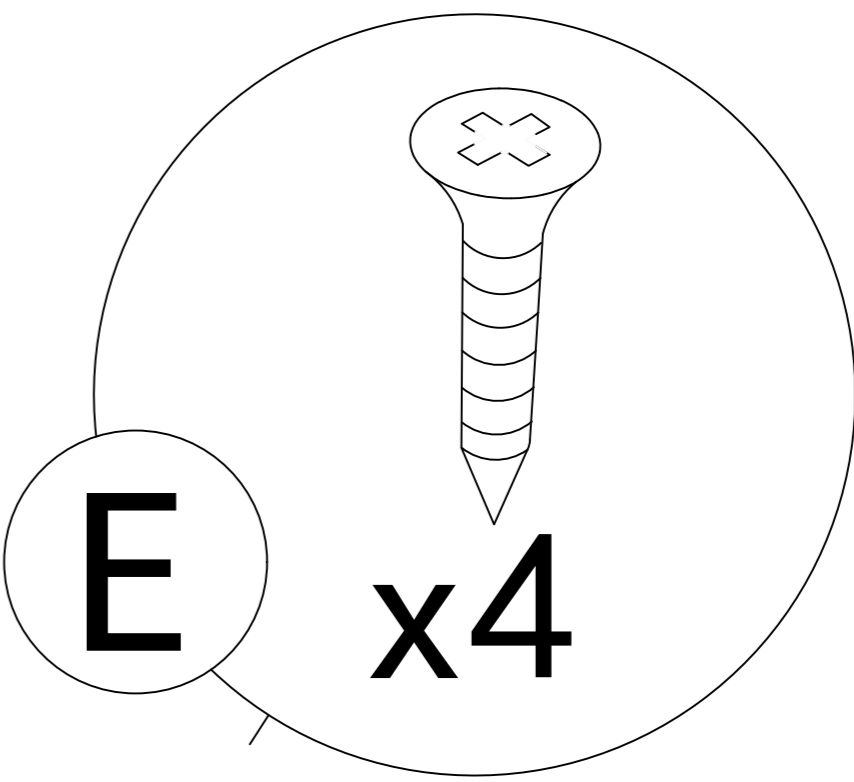
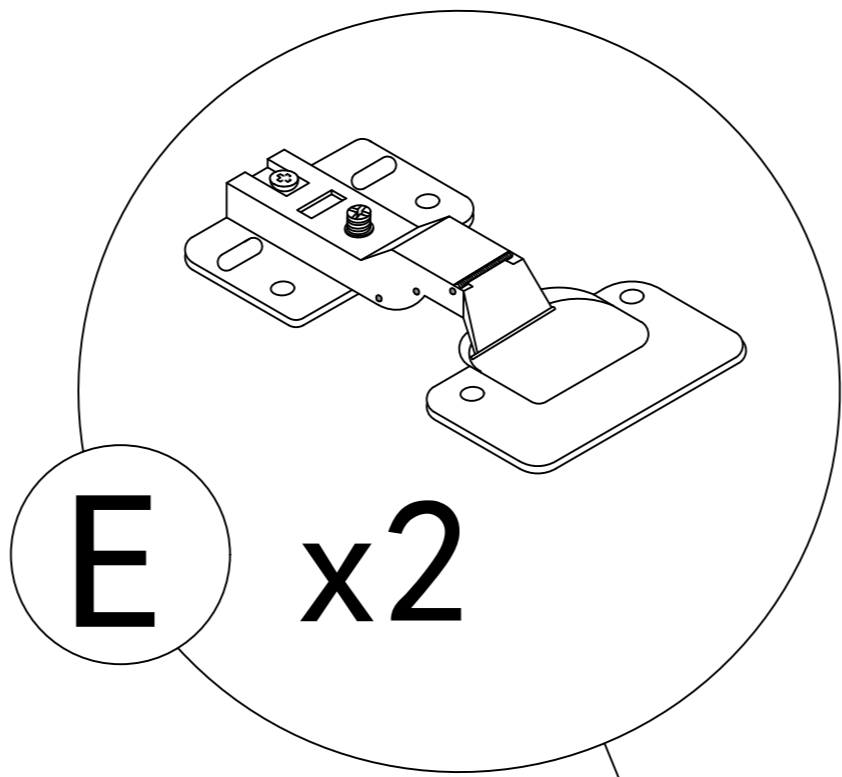
Step 11



Step 12

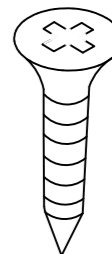
- D**  x2  x4
- E**  x4  x8

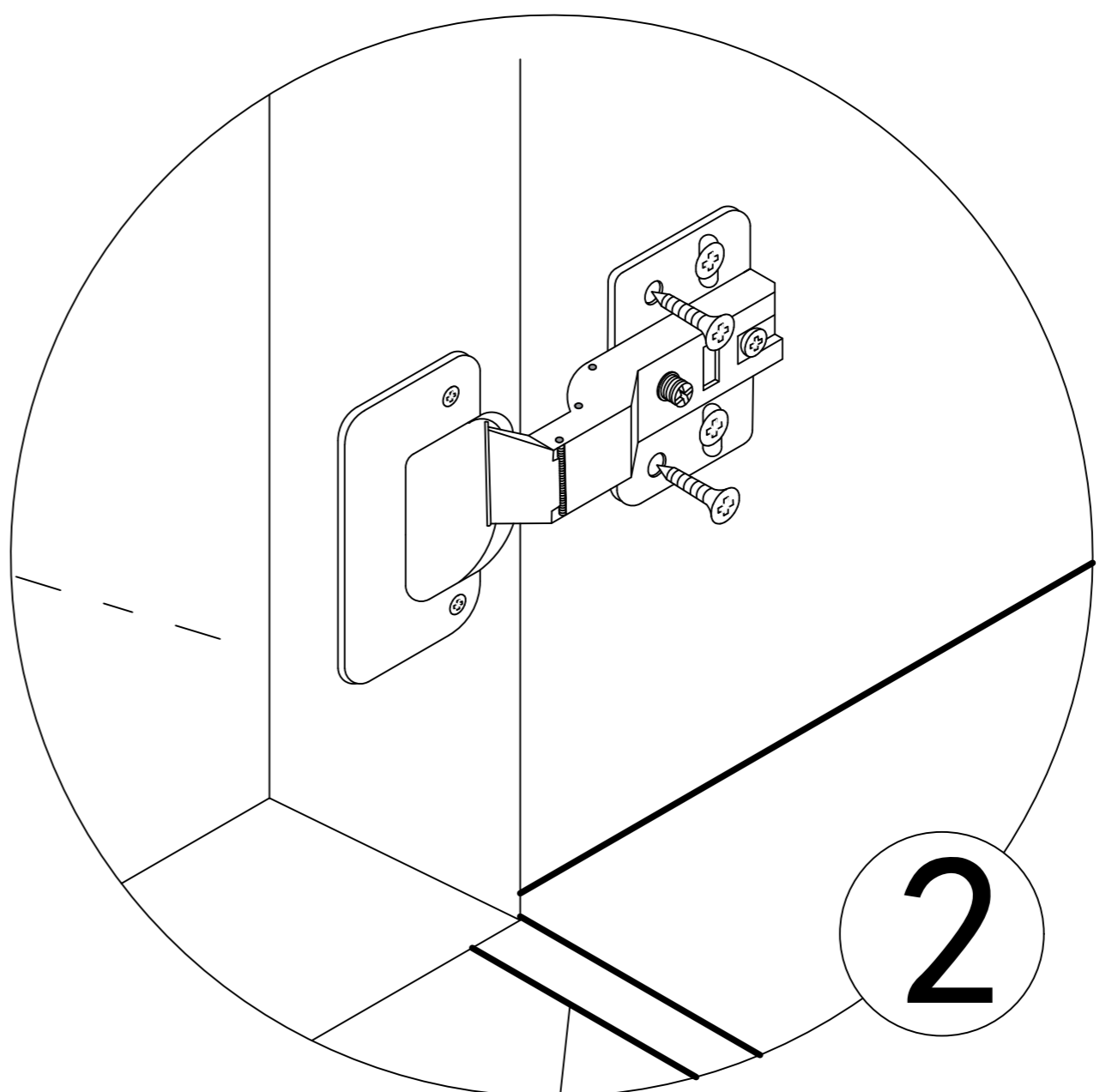
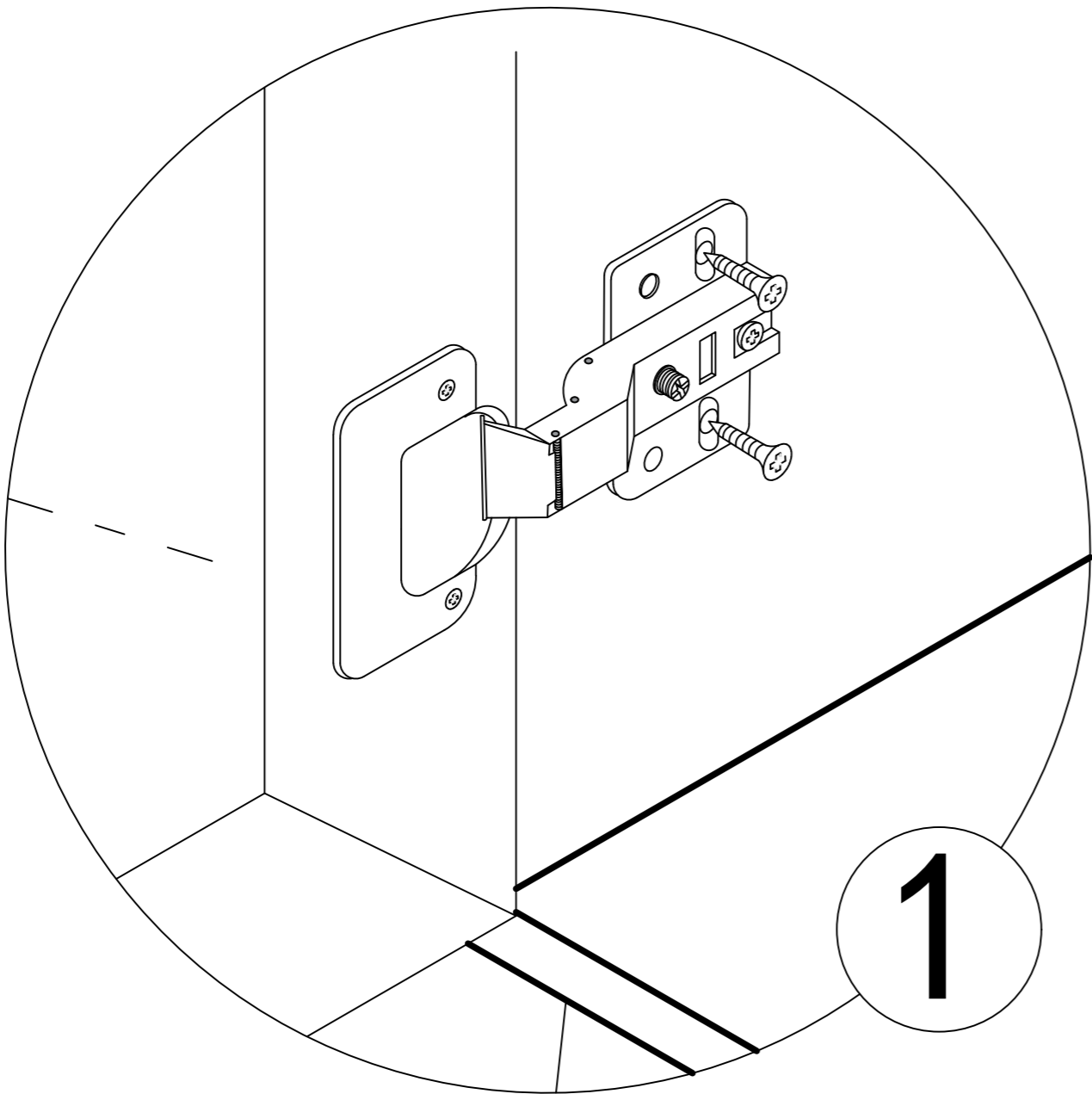
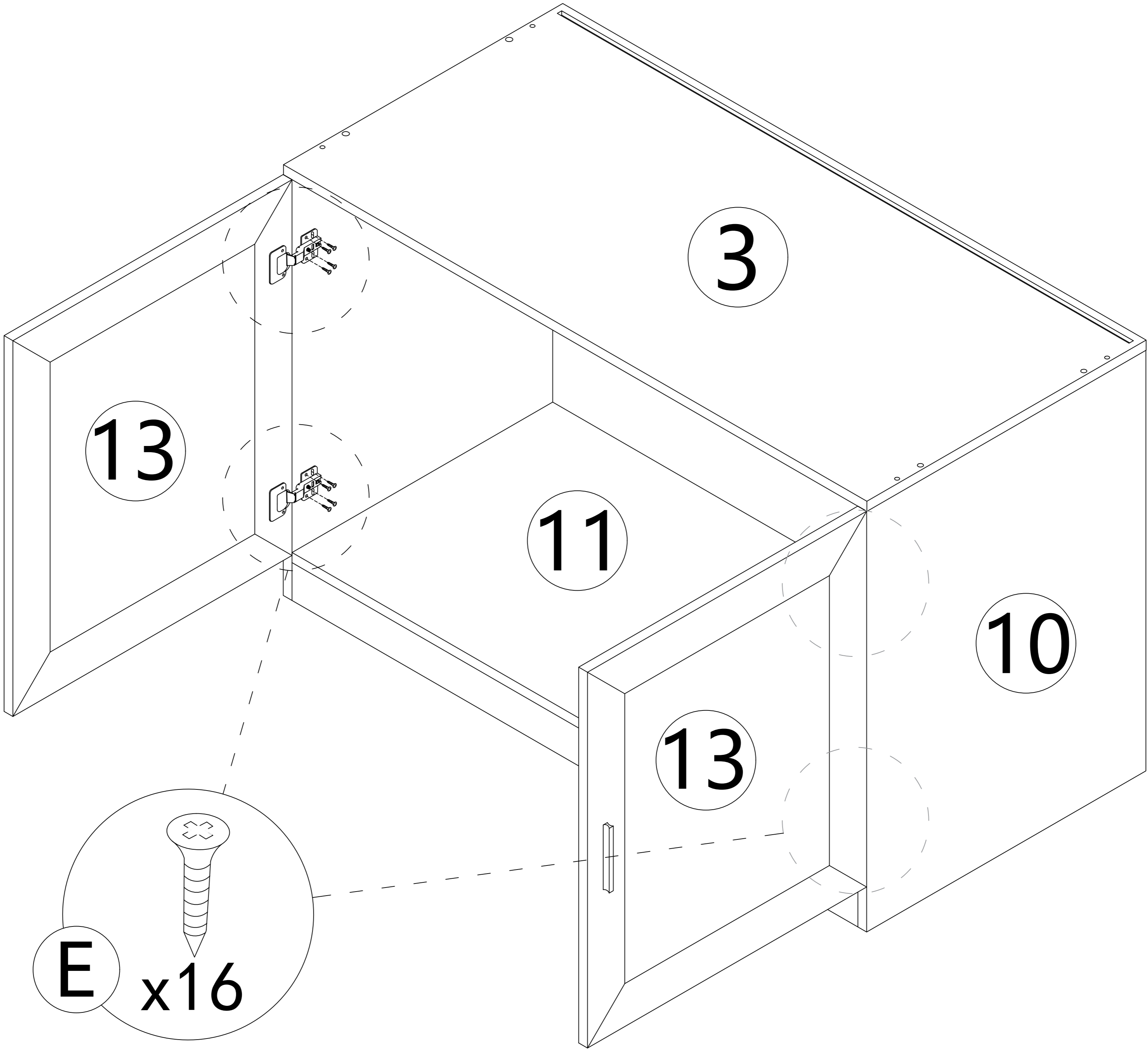
x2



Repeat the installation steps of the door panel

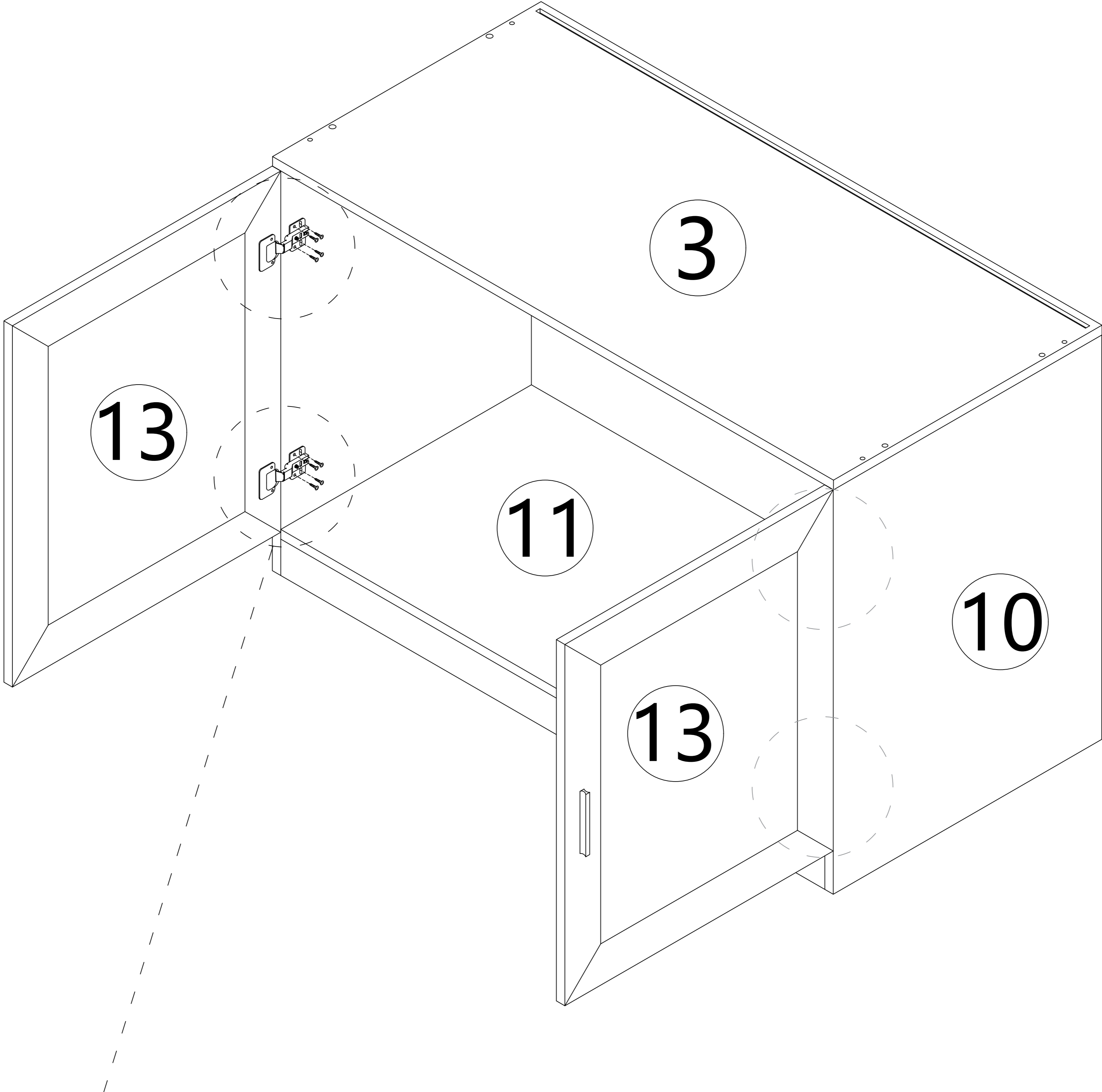
Step 13

E  x16

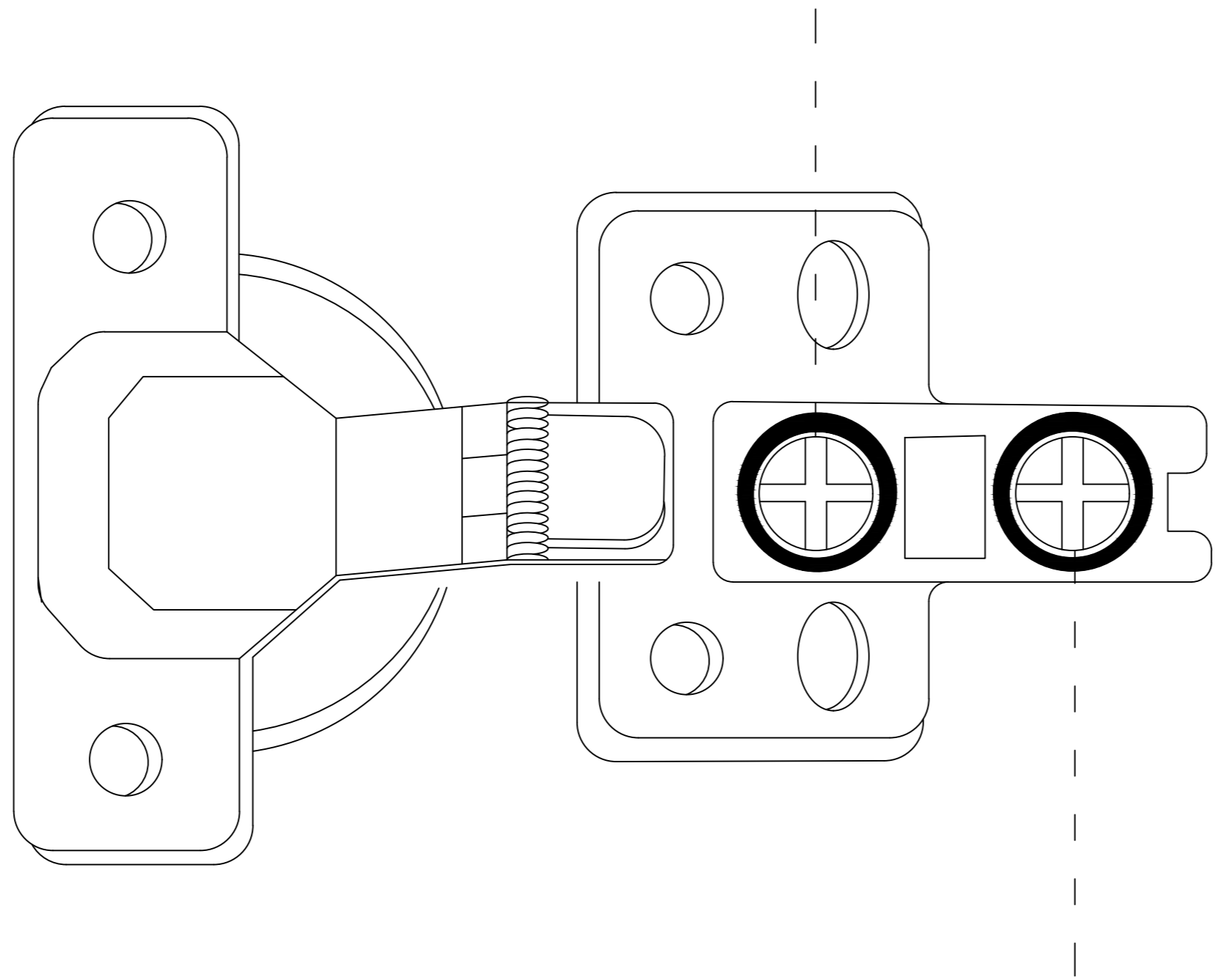


First lock the elliptical hole
then lock the fixed hole

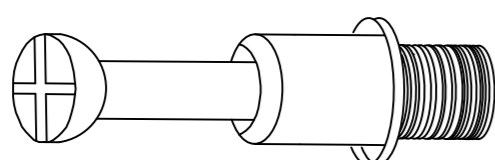
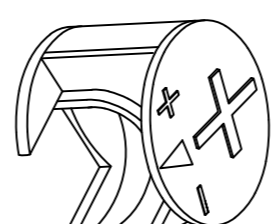

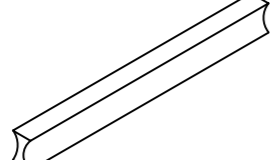

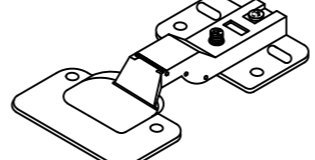
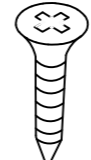
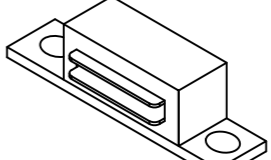
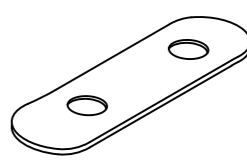

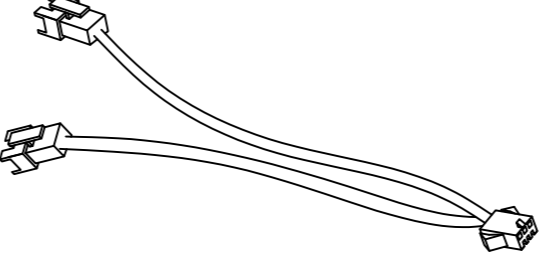
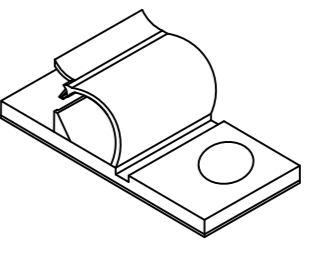
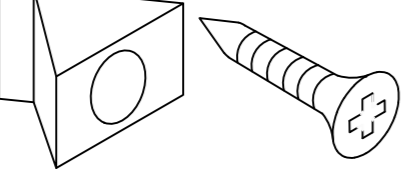
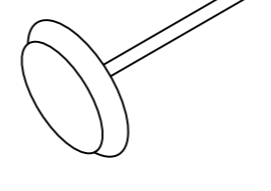

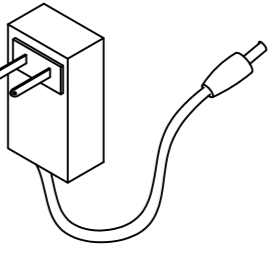

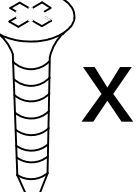
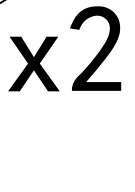
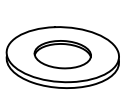

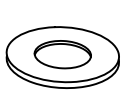
Step 14

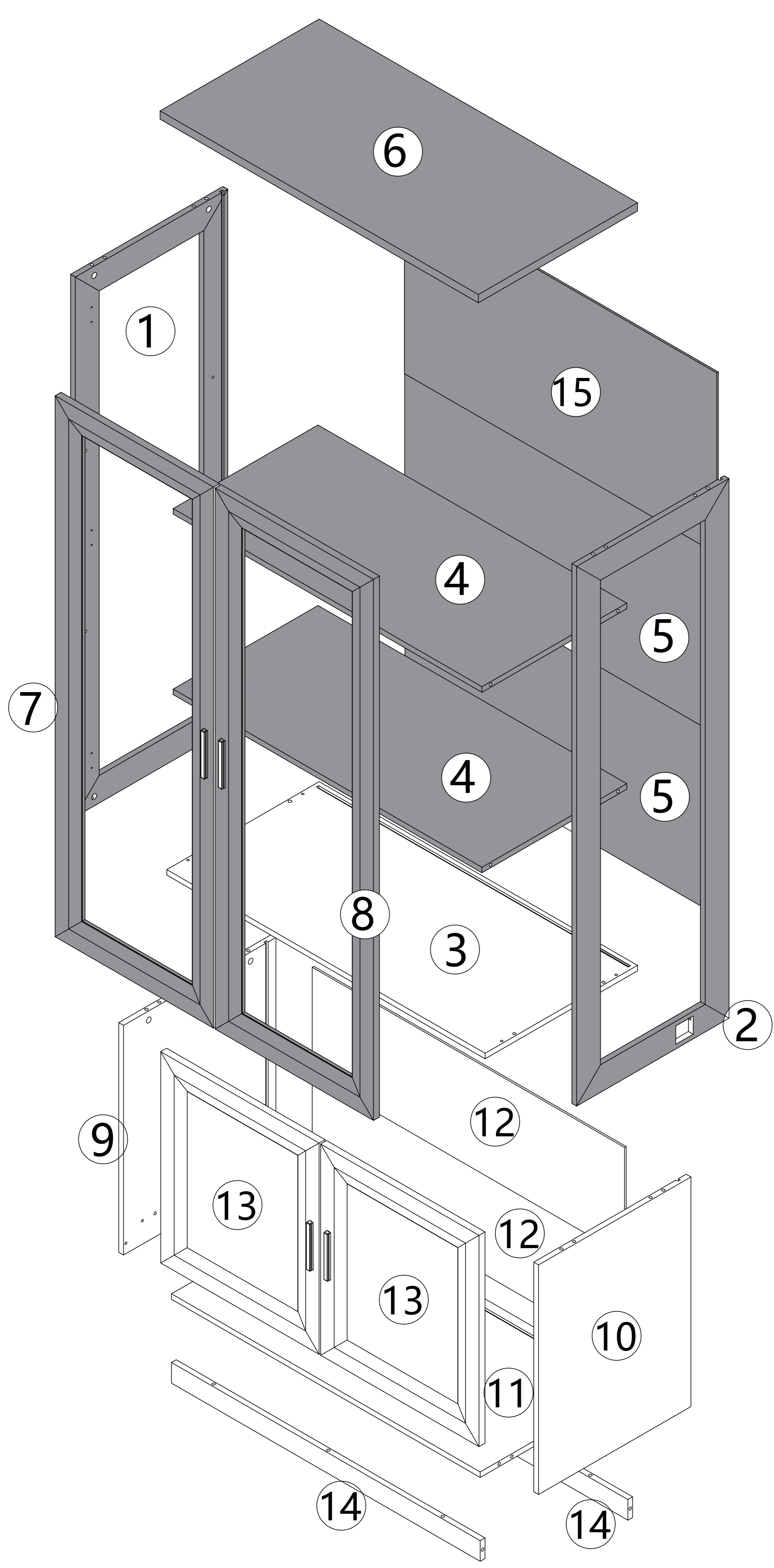


Turning this screw can effectively adjust the size of the door gap.

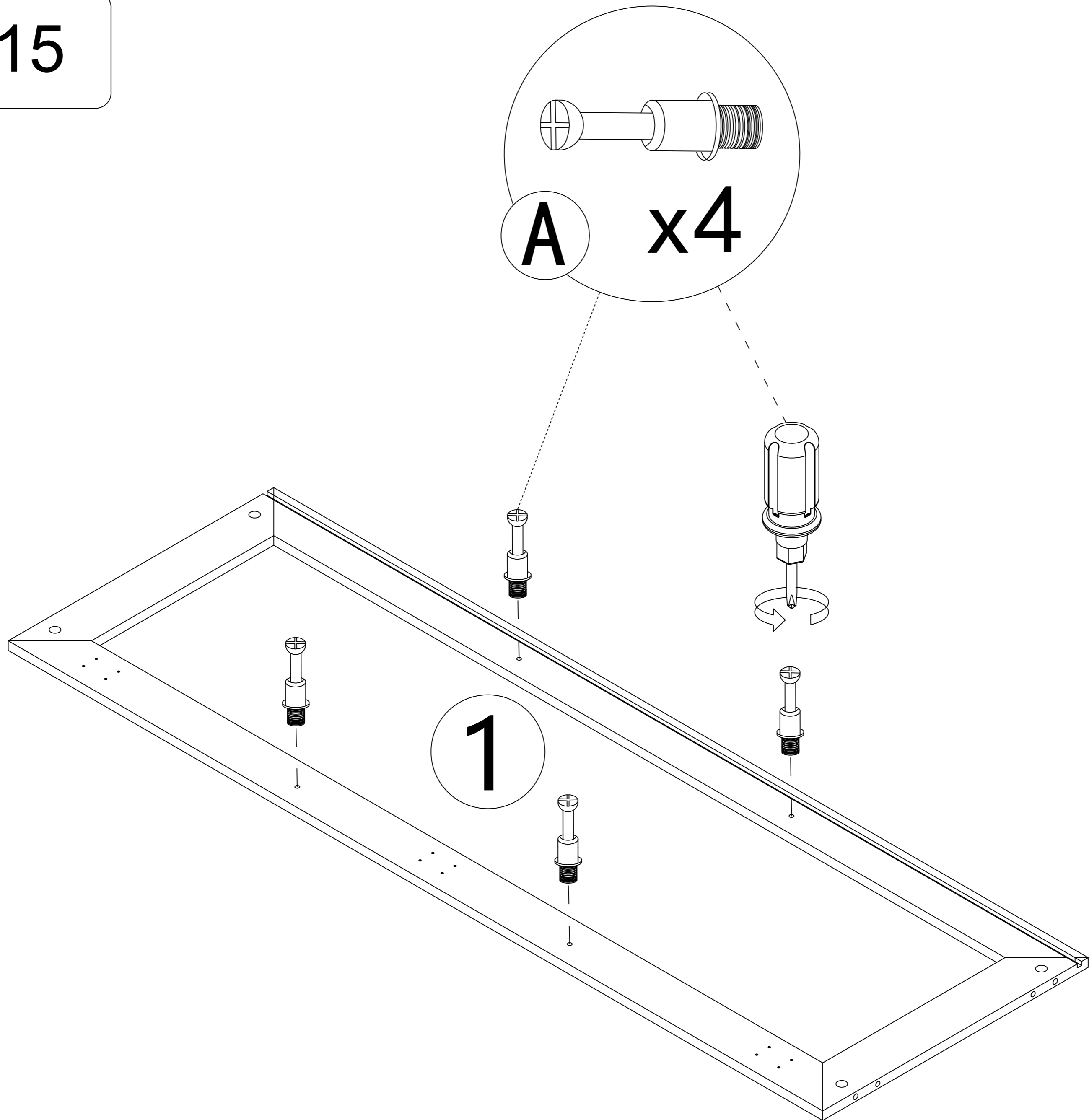
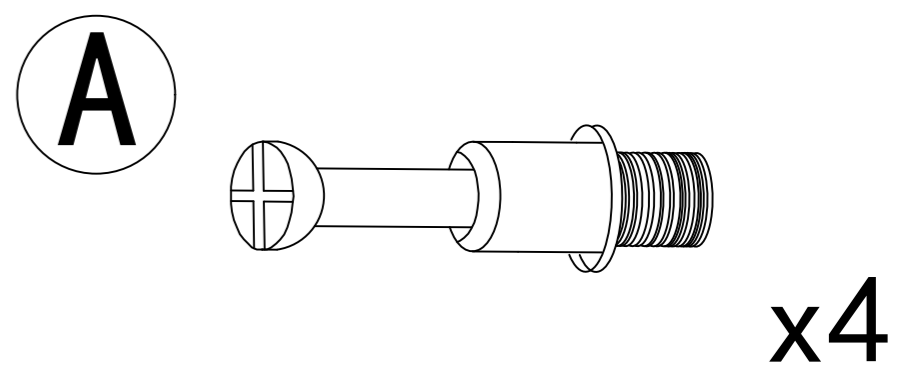


Turn this screw to adjust the door panel to be flat with the side panel.

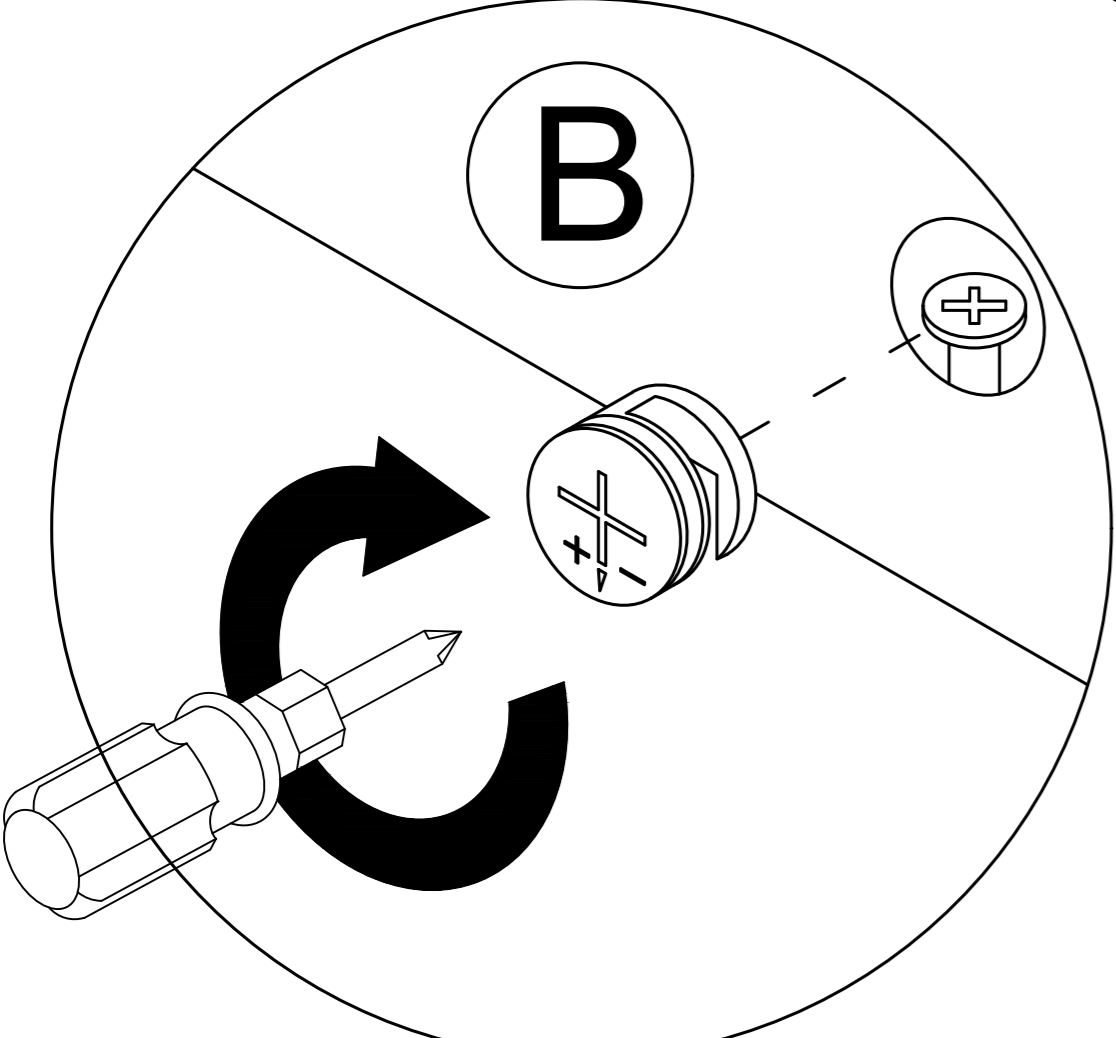
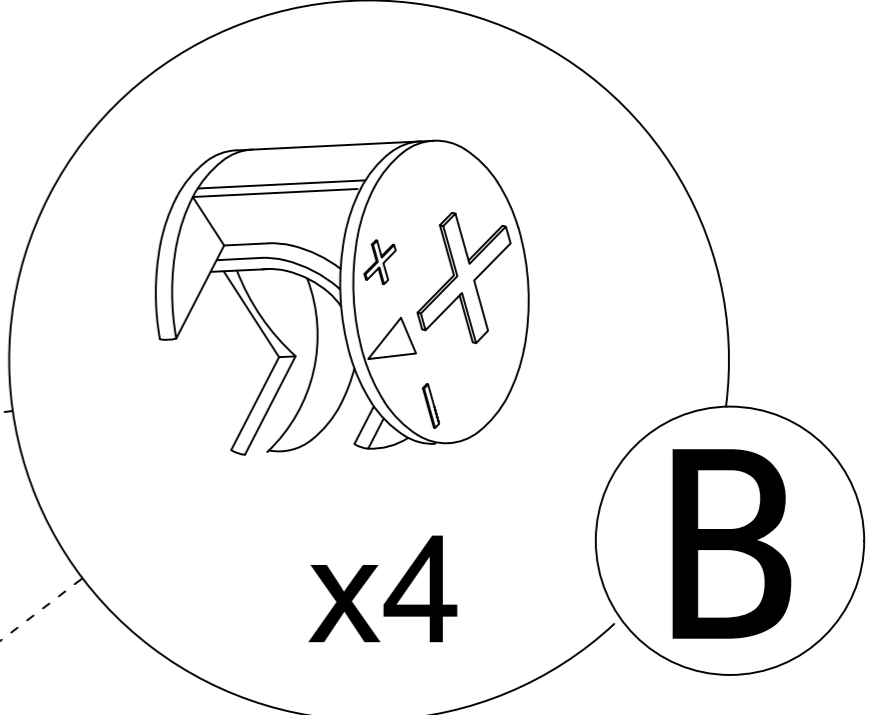
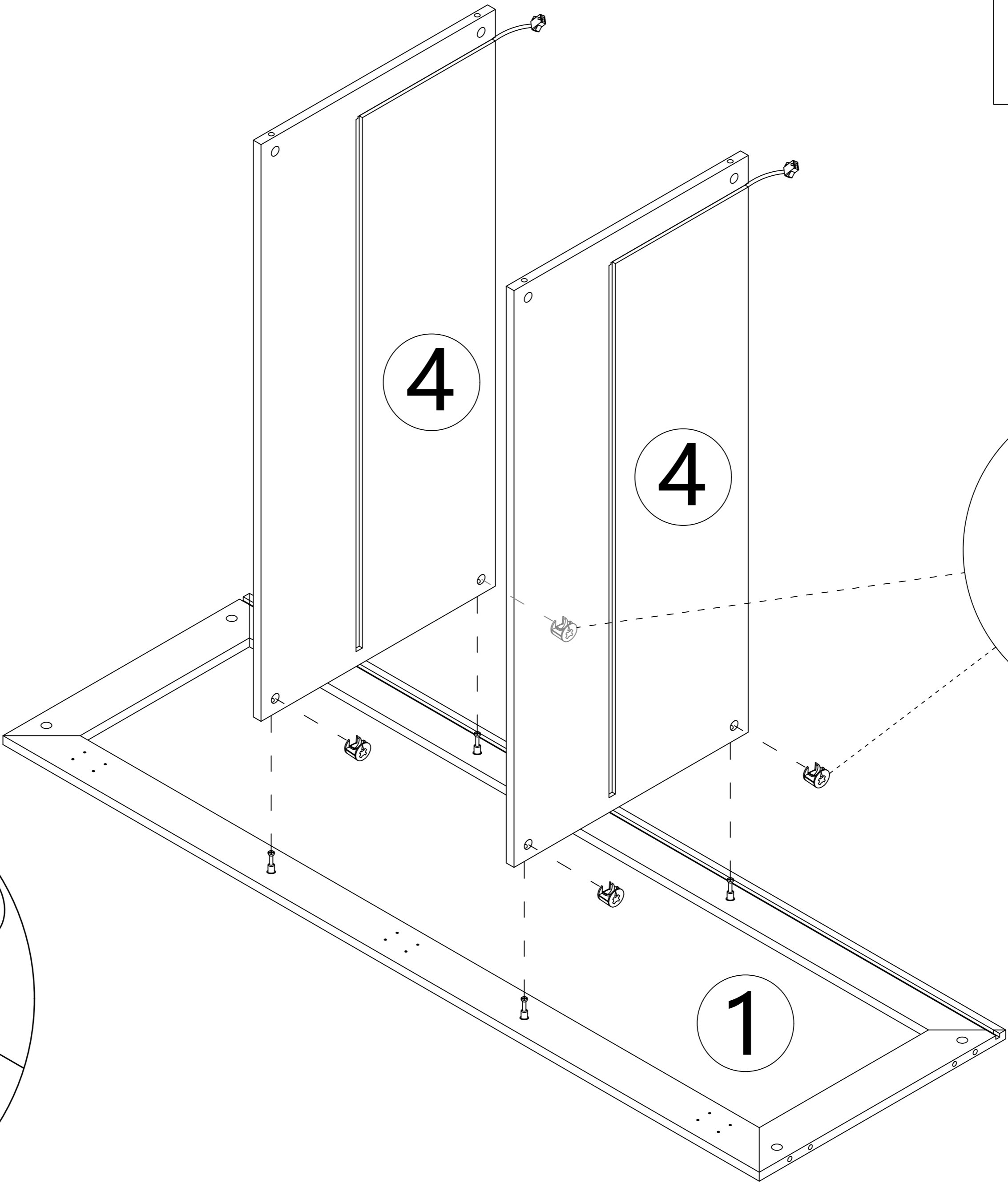
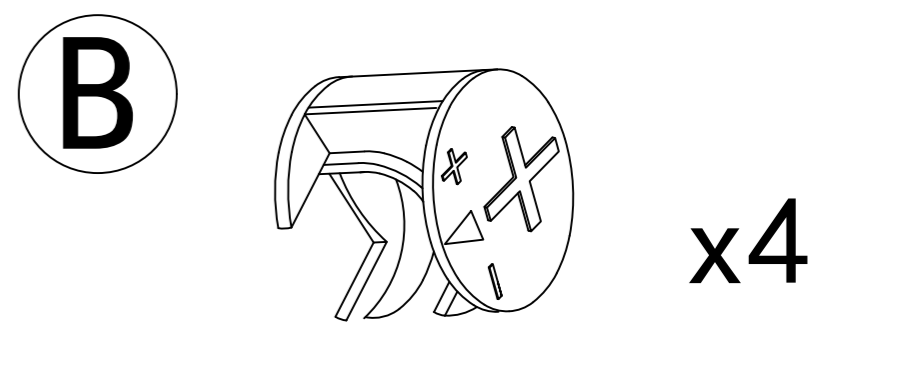
A		16pcs	B		16pcs	C		8pcs			
D		2pcs		4pcs	E		6pcs		36pcs		
F		1pcs		2pcs	G		8pcs	H		1pcs	
I		3pcs	J		18pcs	K		2pcs	L		x2
M		1pcs	N		x2	O		x2	P		x2
Q		x4	R		x2	S		x4			



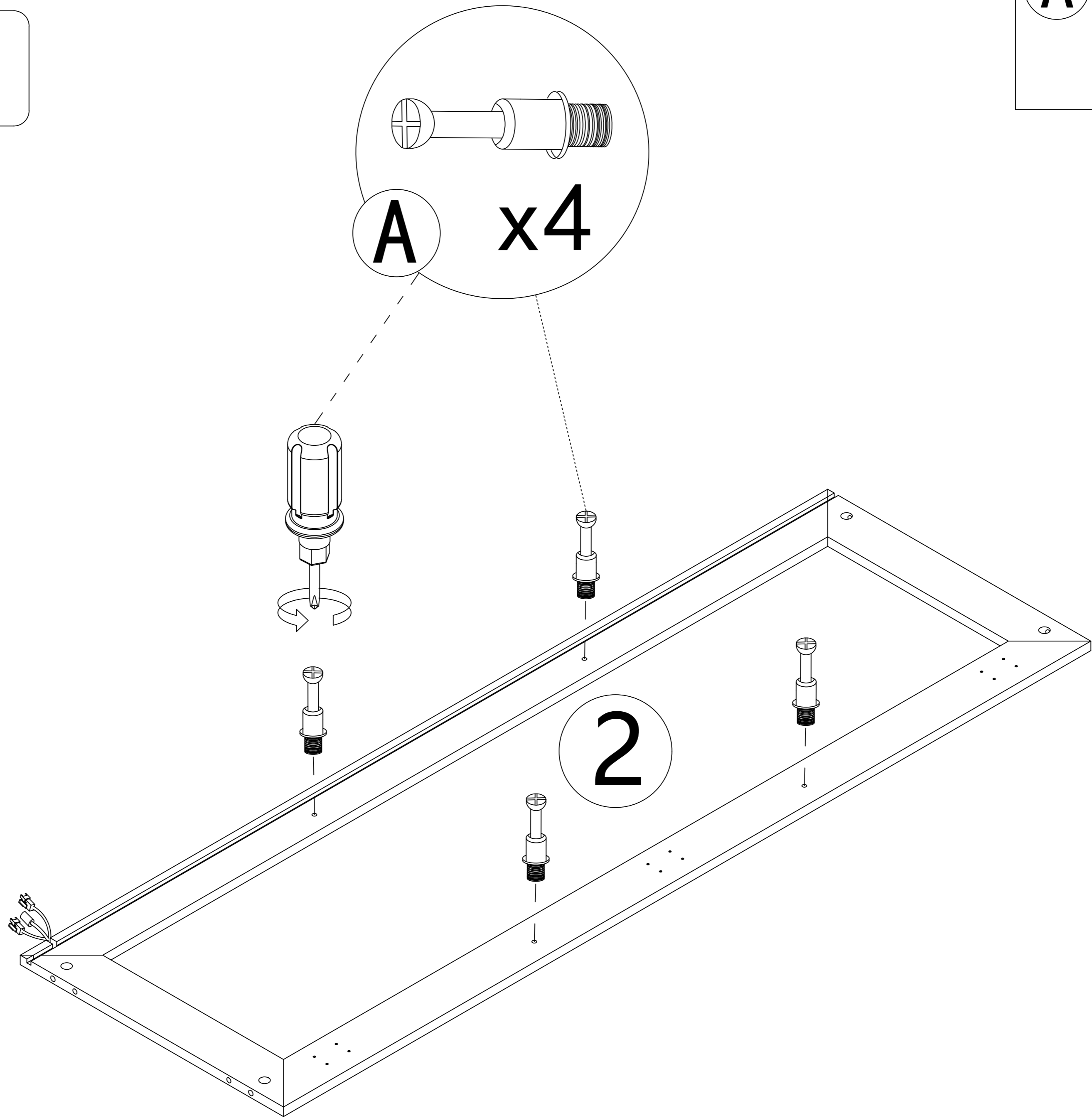
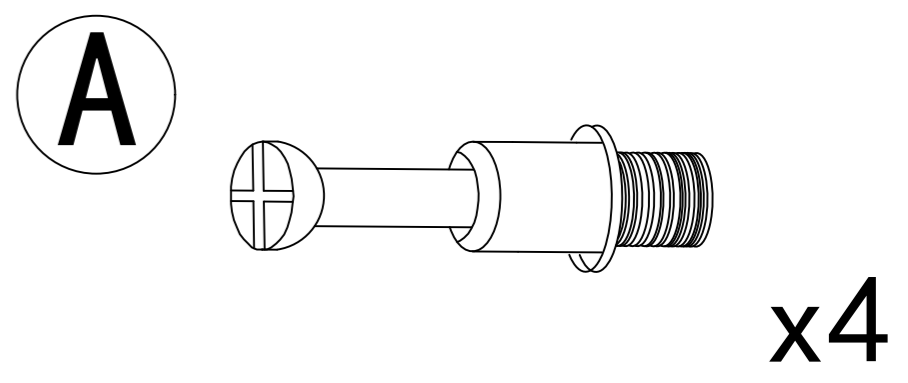
Step 15



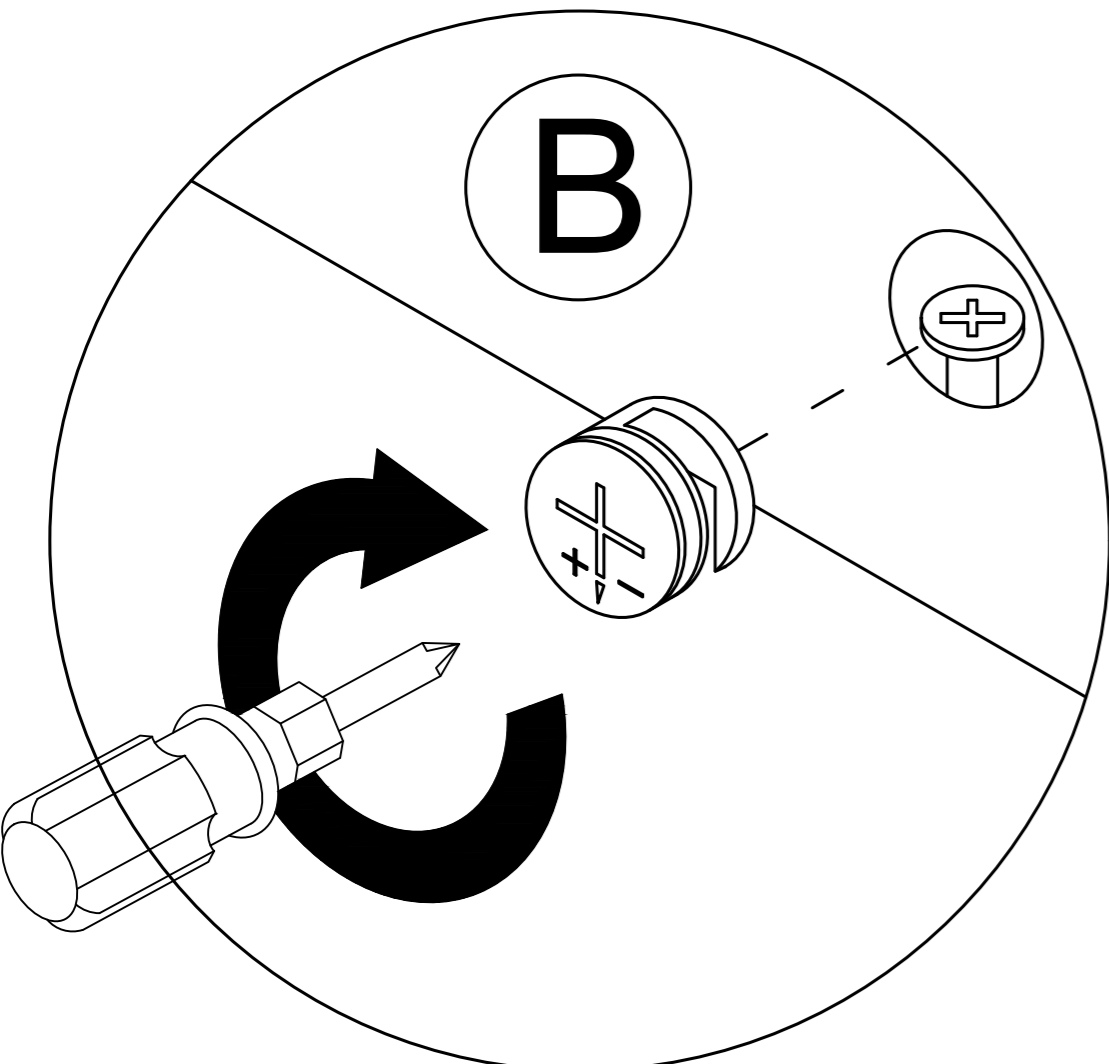
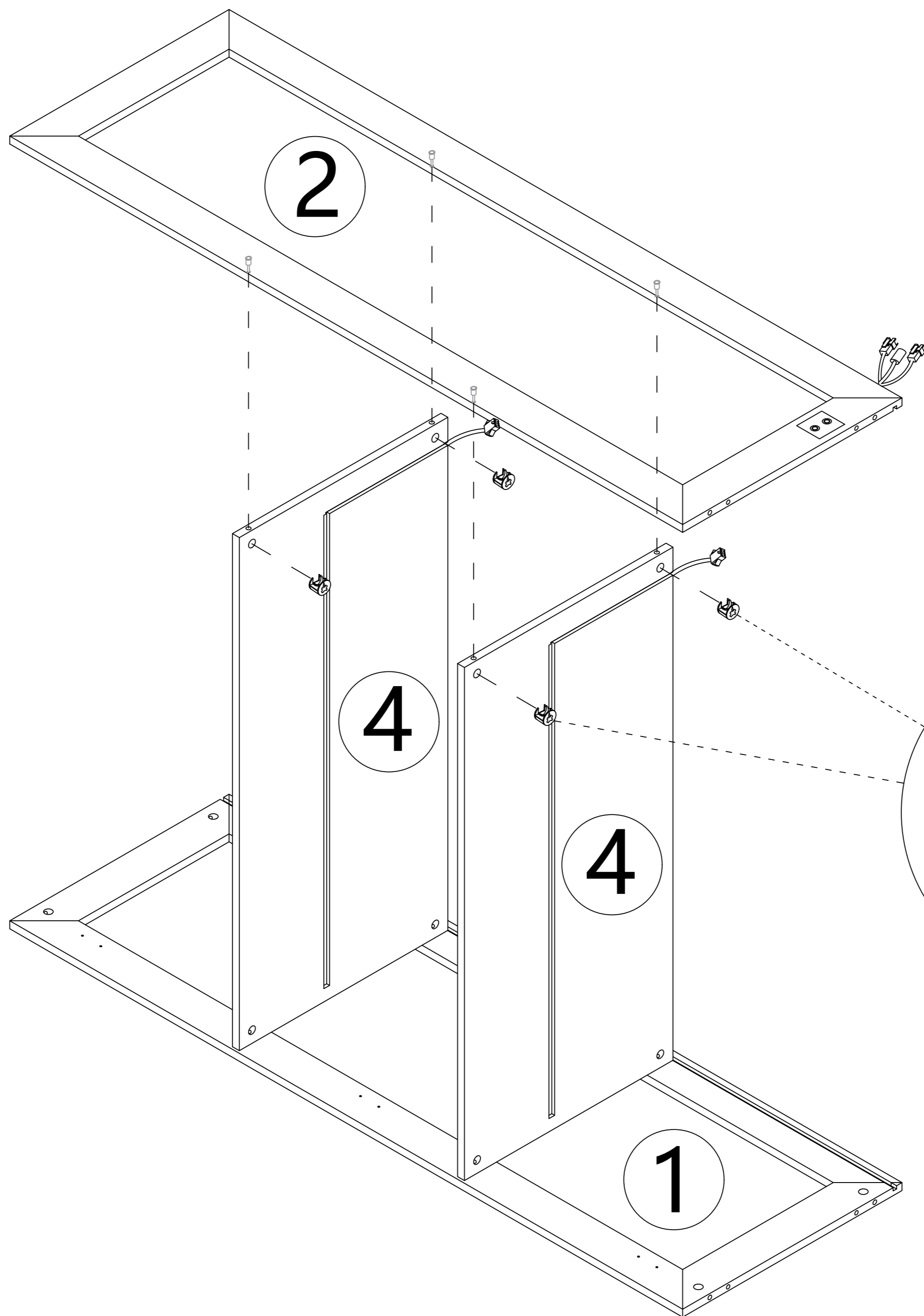
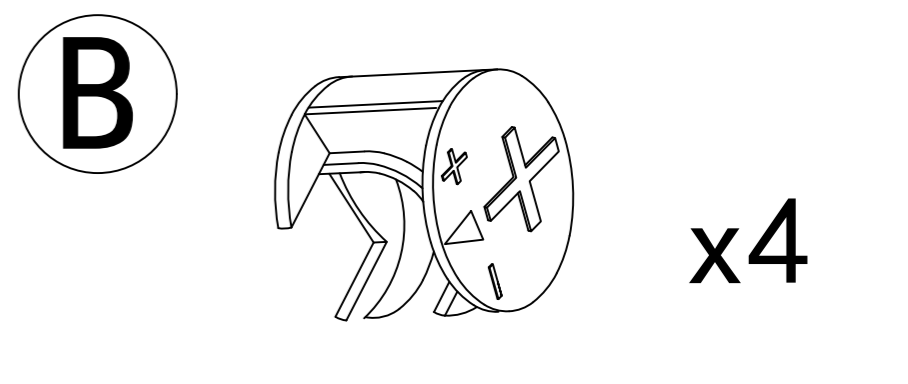
Step 16



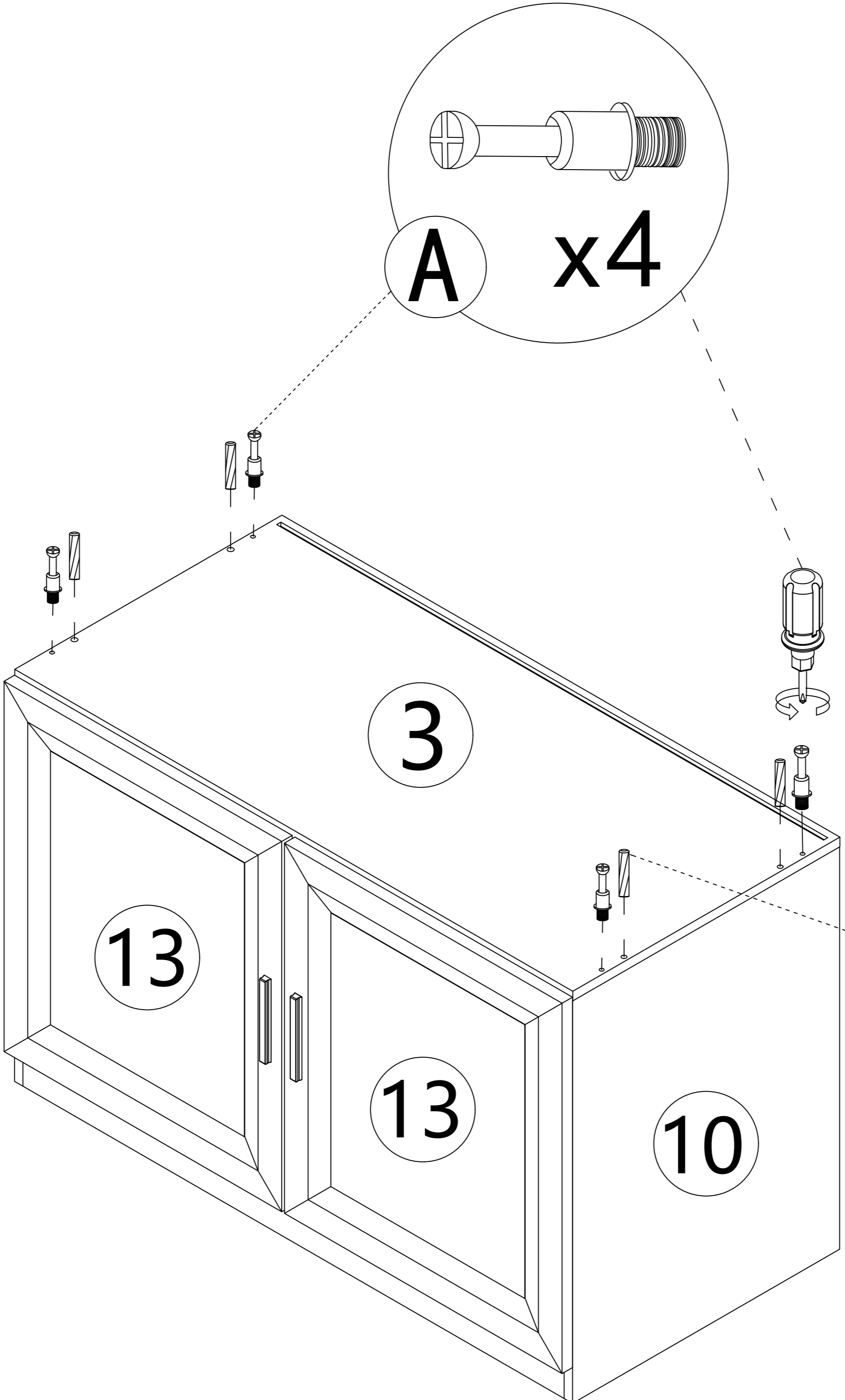
Step 17

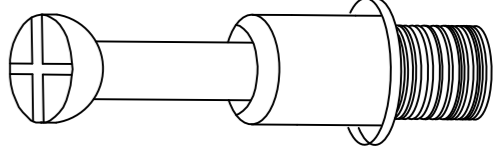


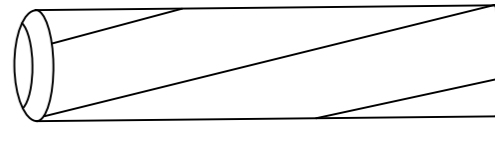
Step 18

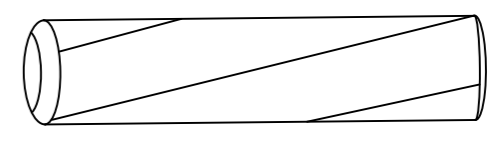


Step 19

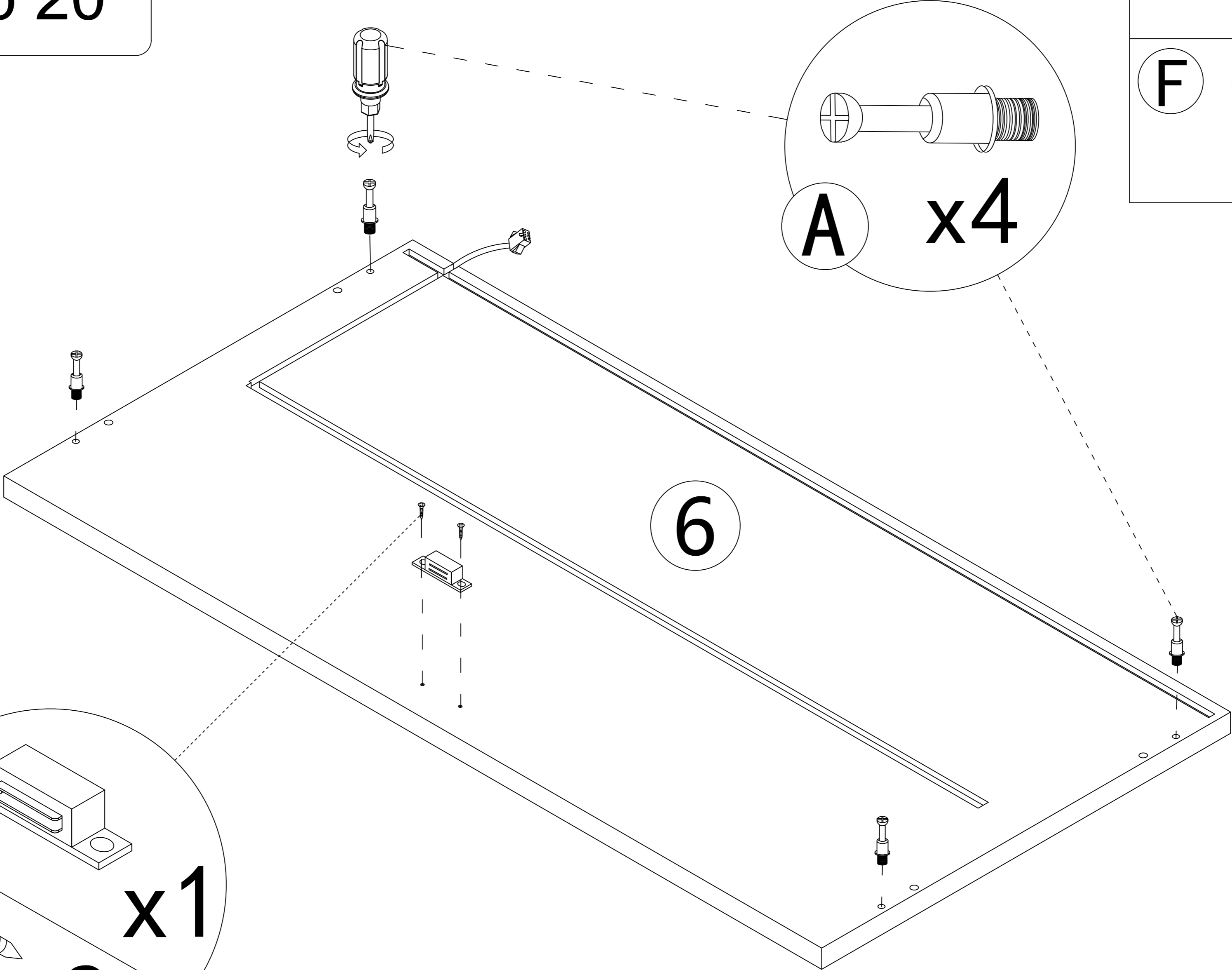


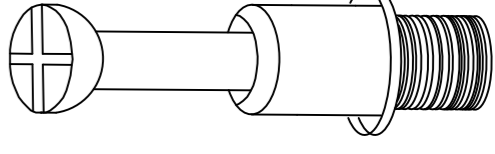
A  x4

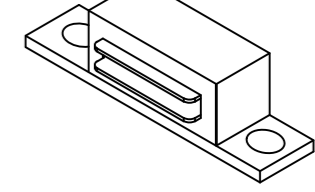
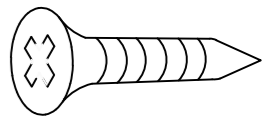
C  x4

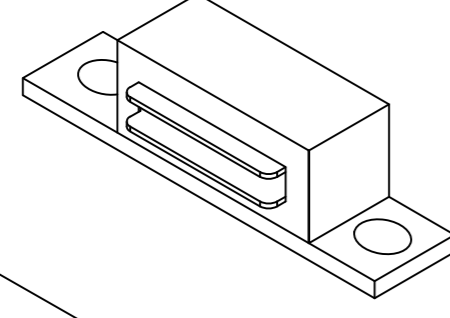
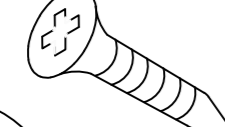
C  x4

Step 20

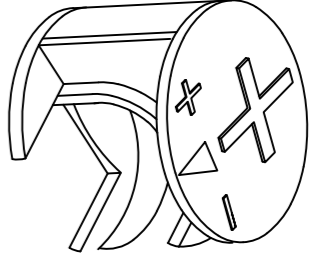


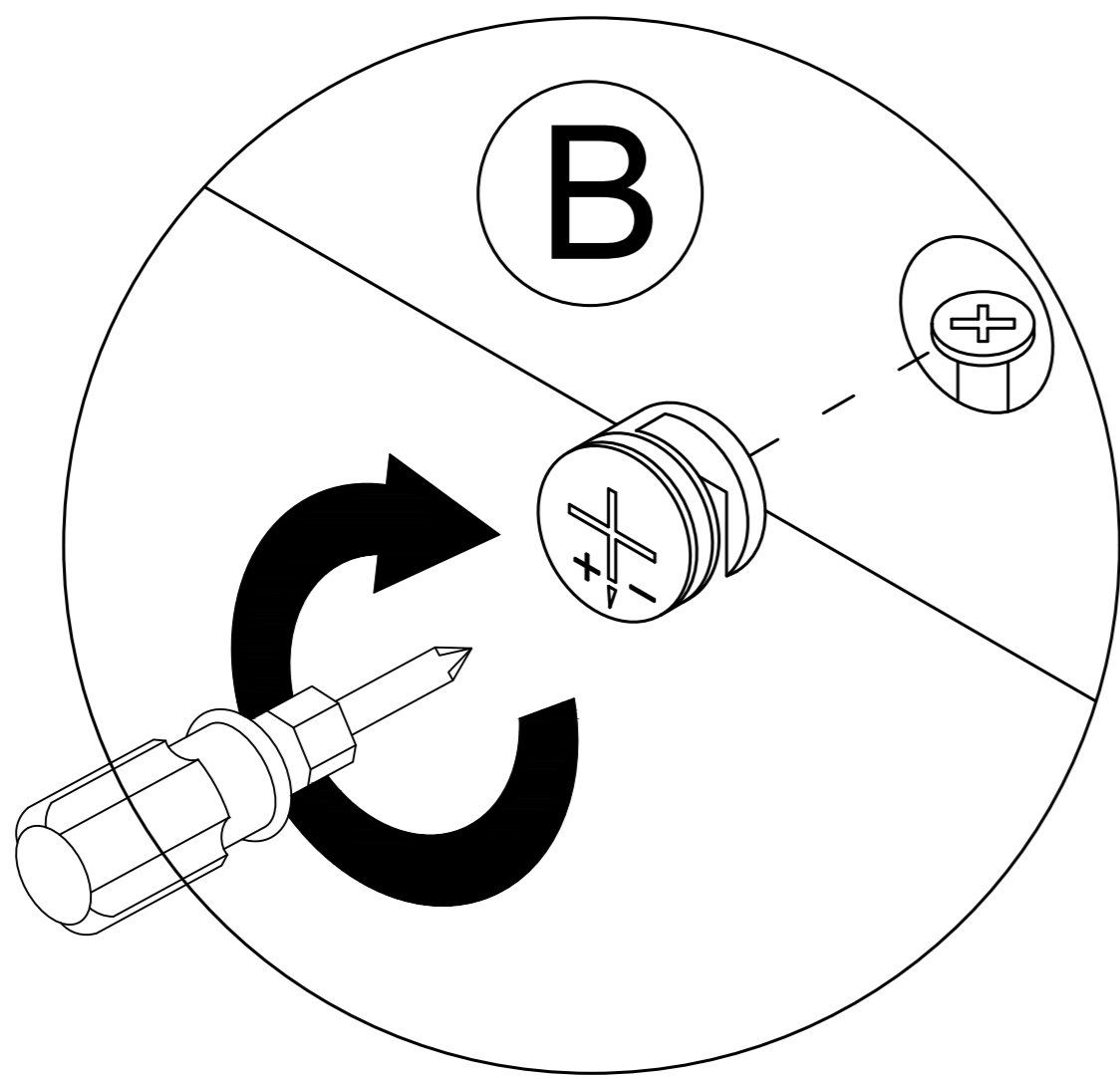
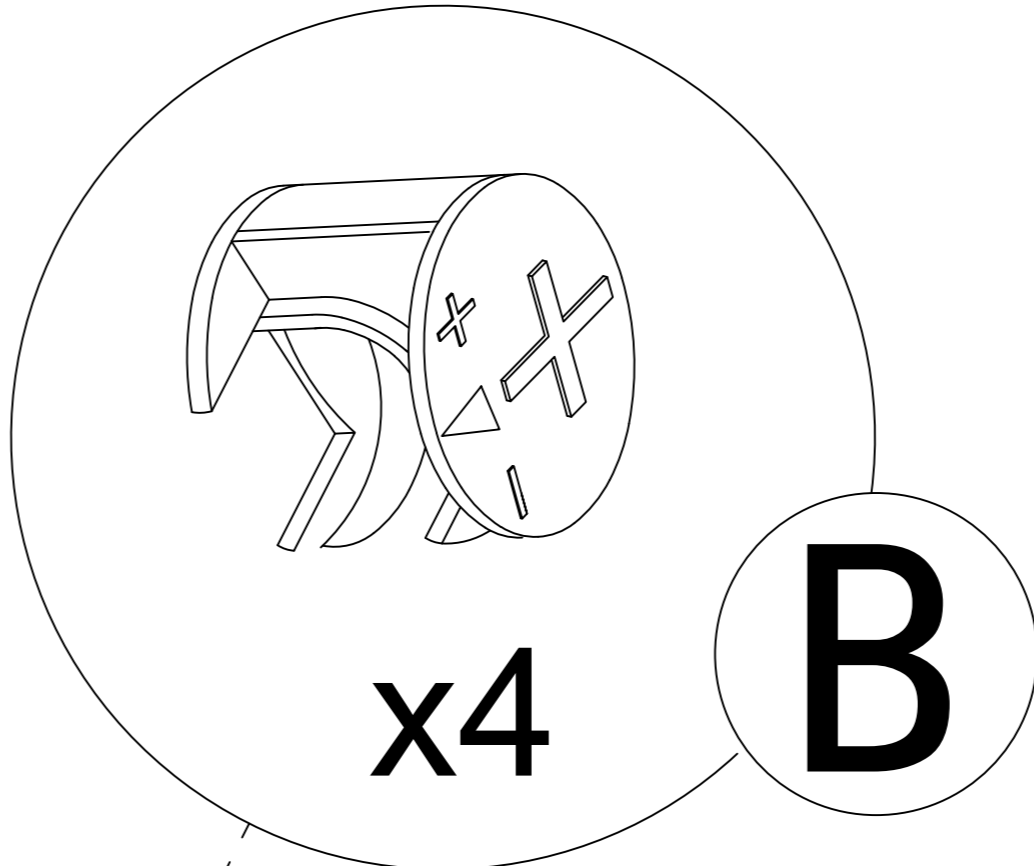
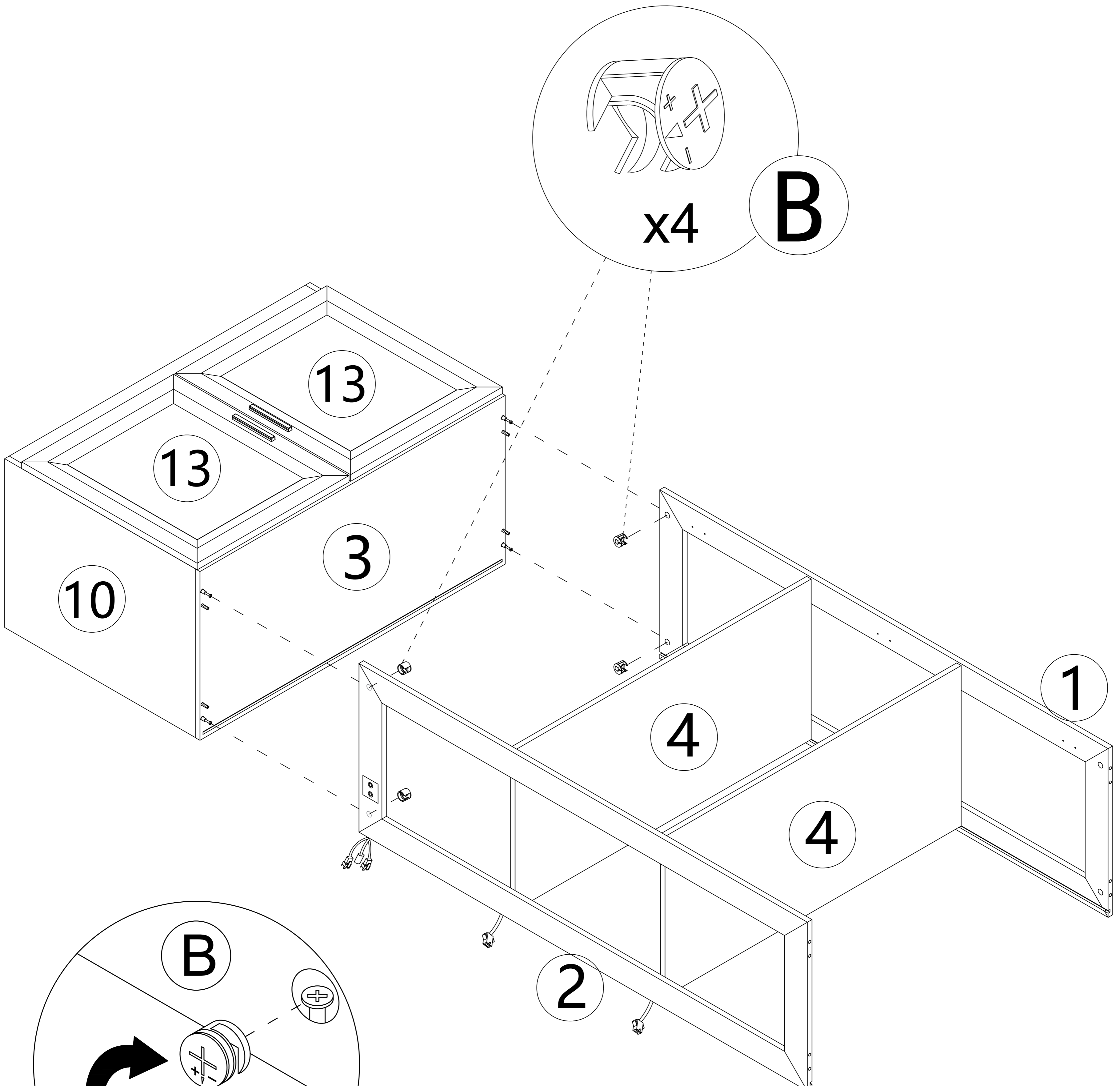
A  x4

F  x1  x2

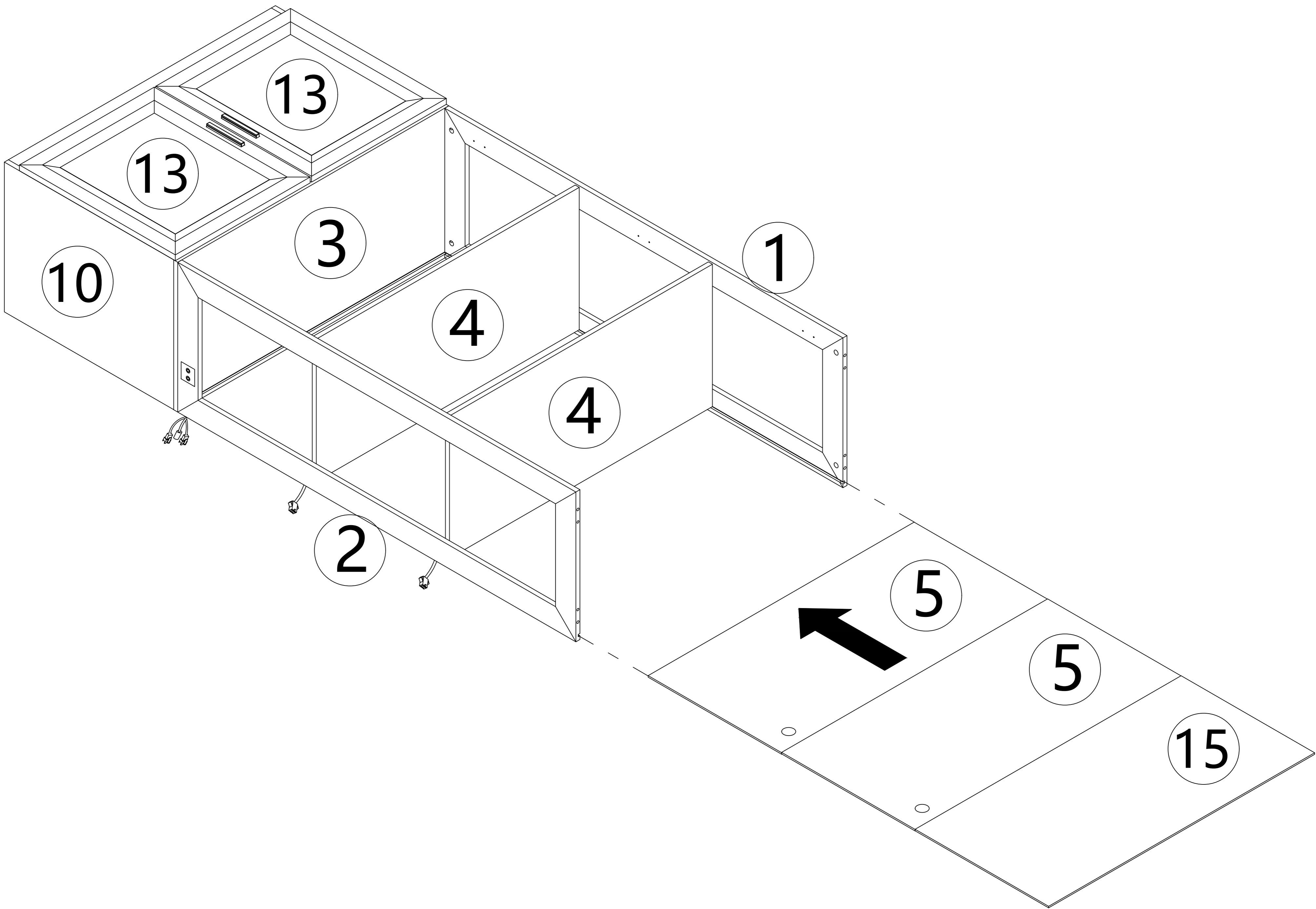
F  x1  x2

Step 21

B  x4

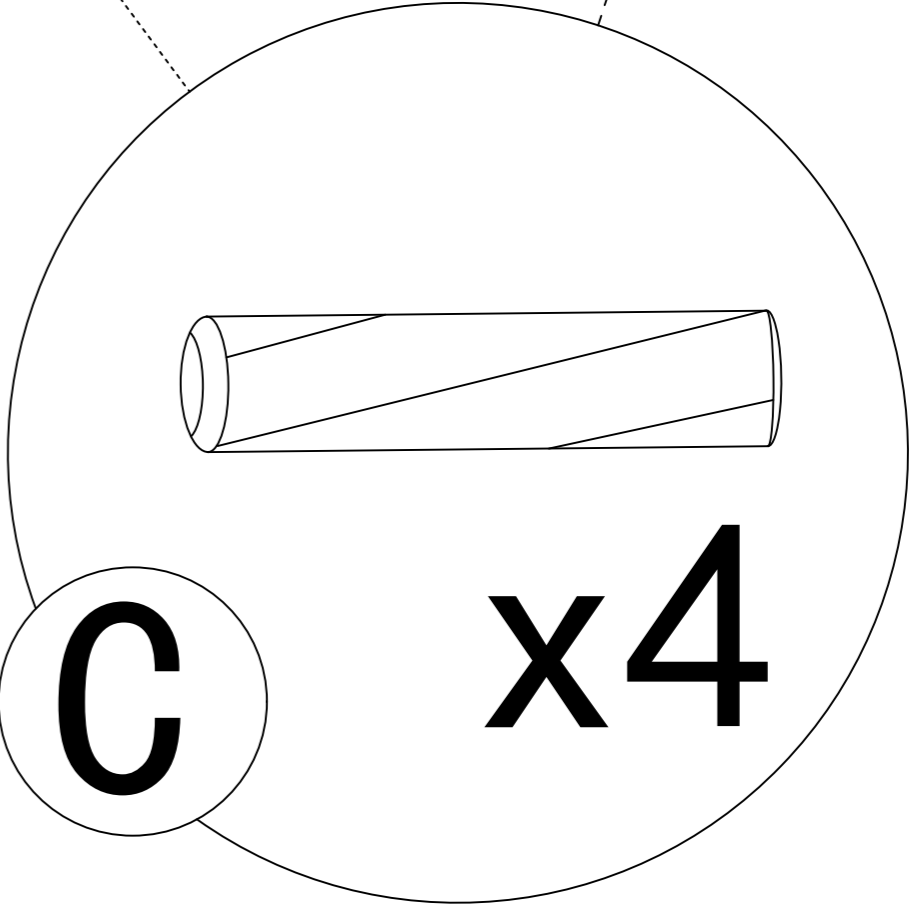
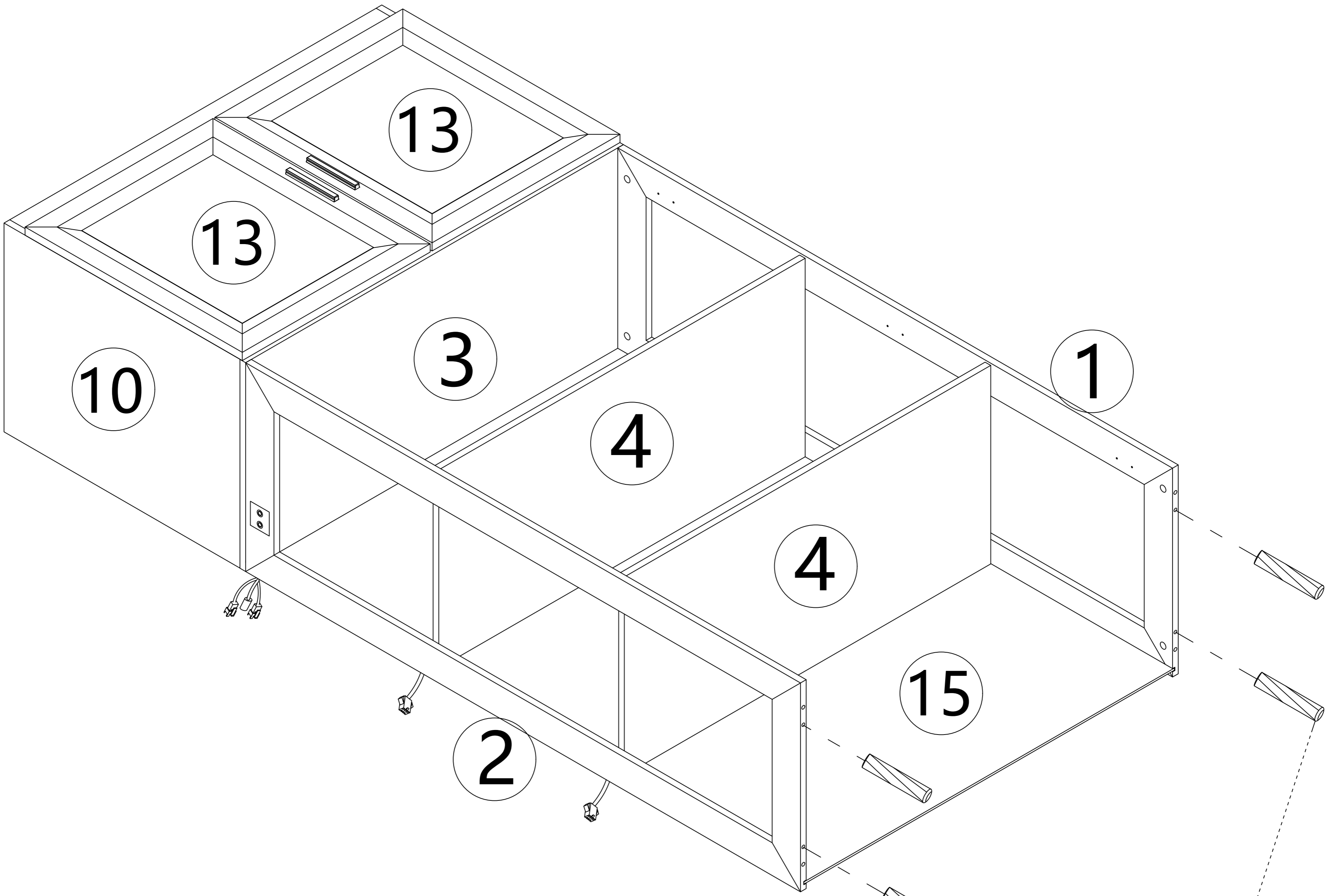
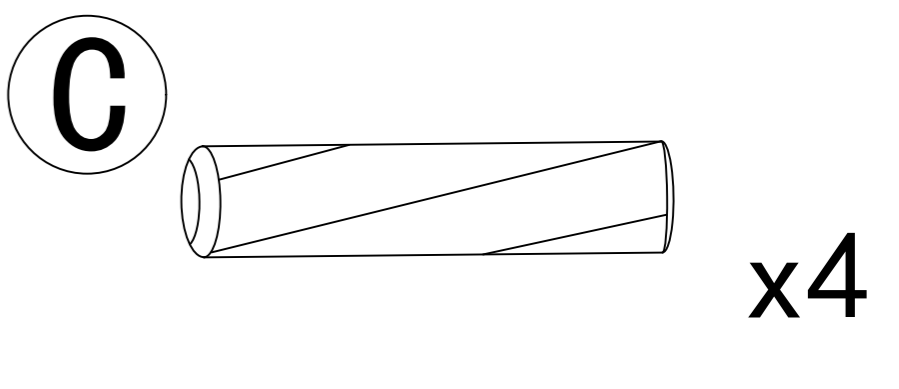


Step 22

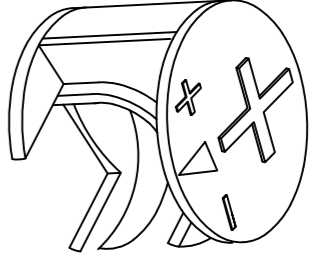


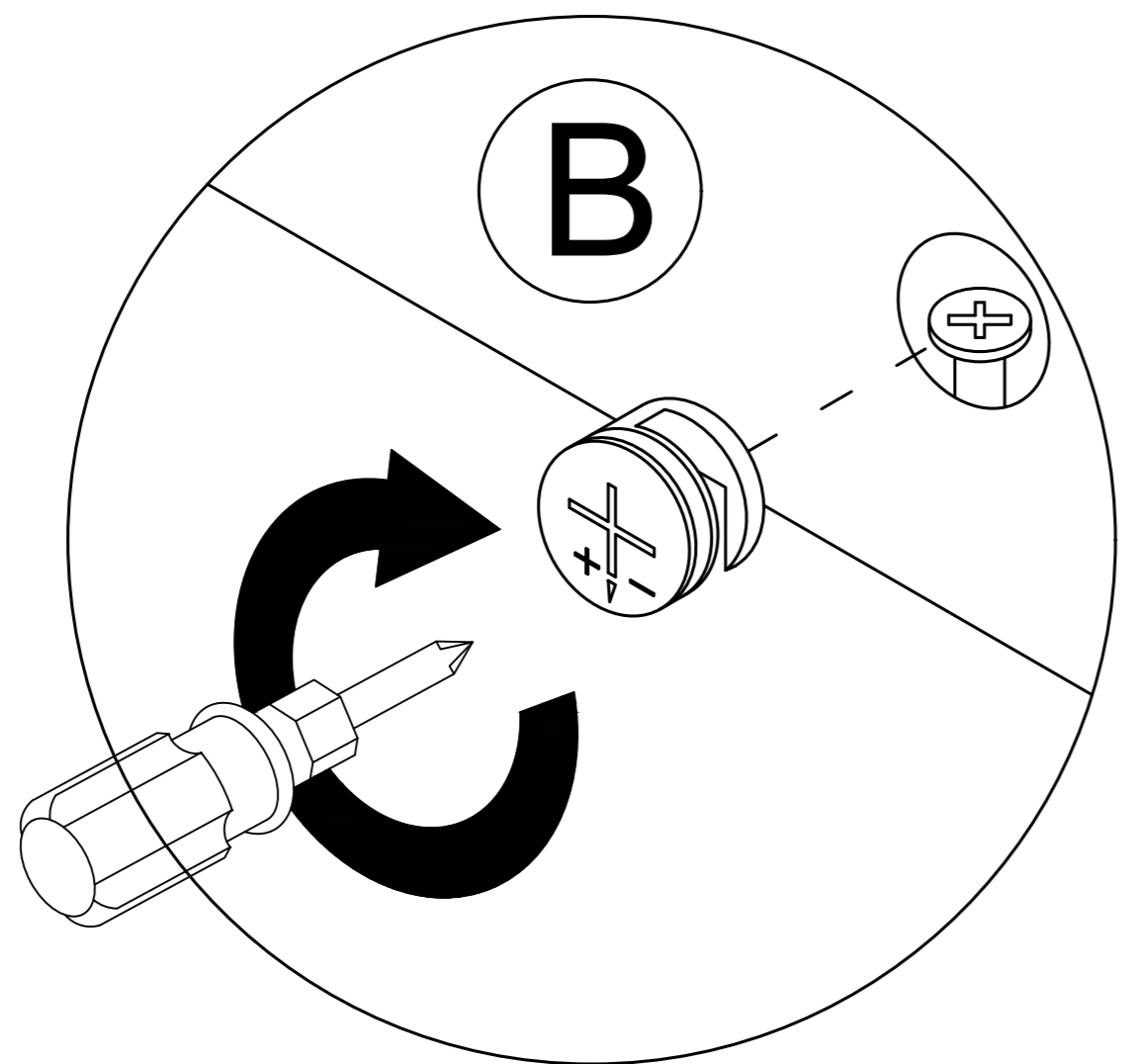
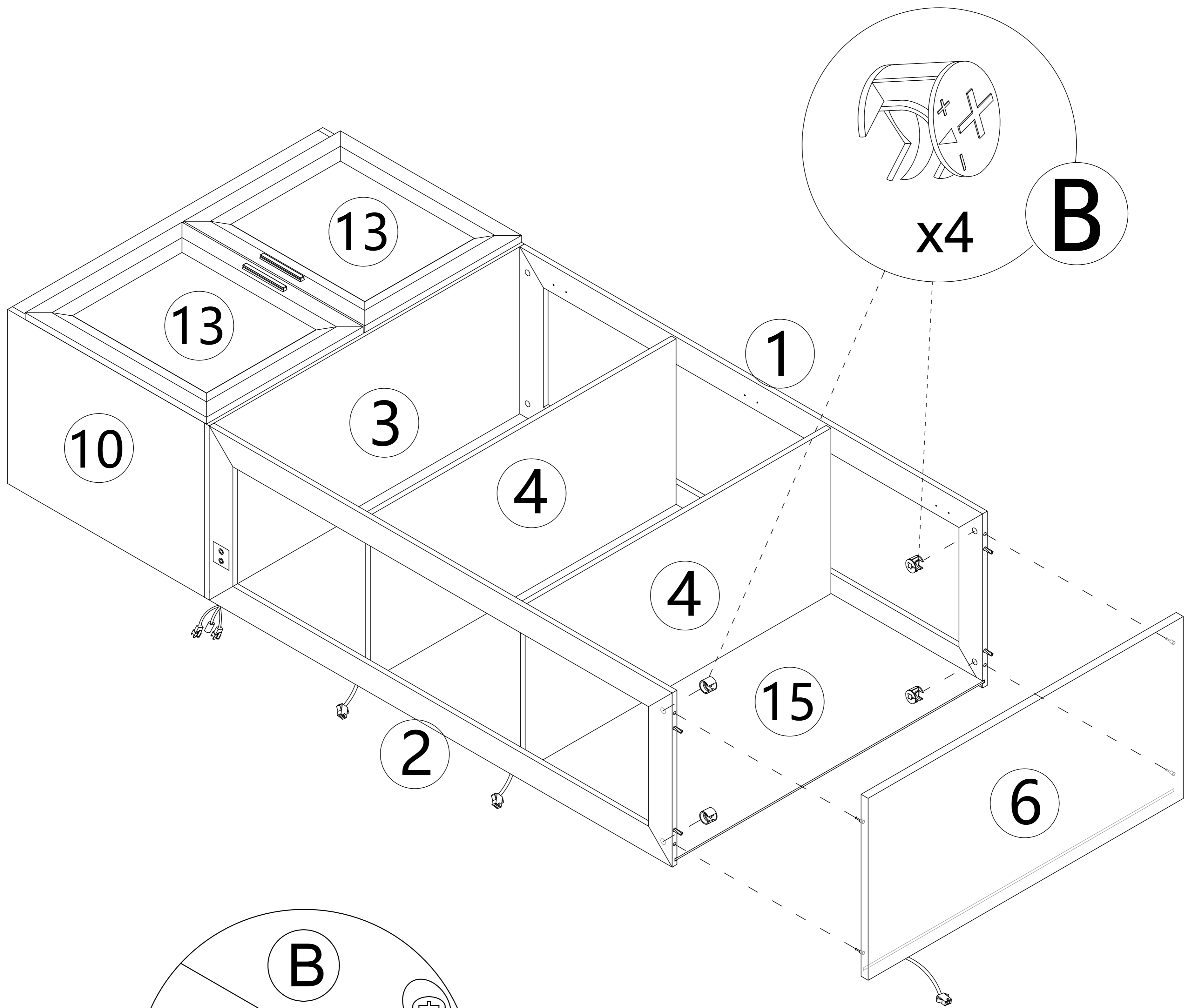
Snap the backplane into the slot

Step 23



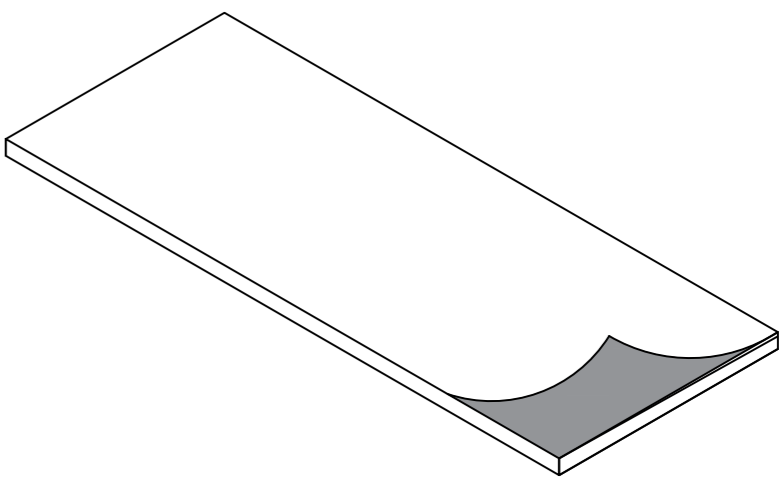
Step 24

B  x4



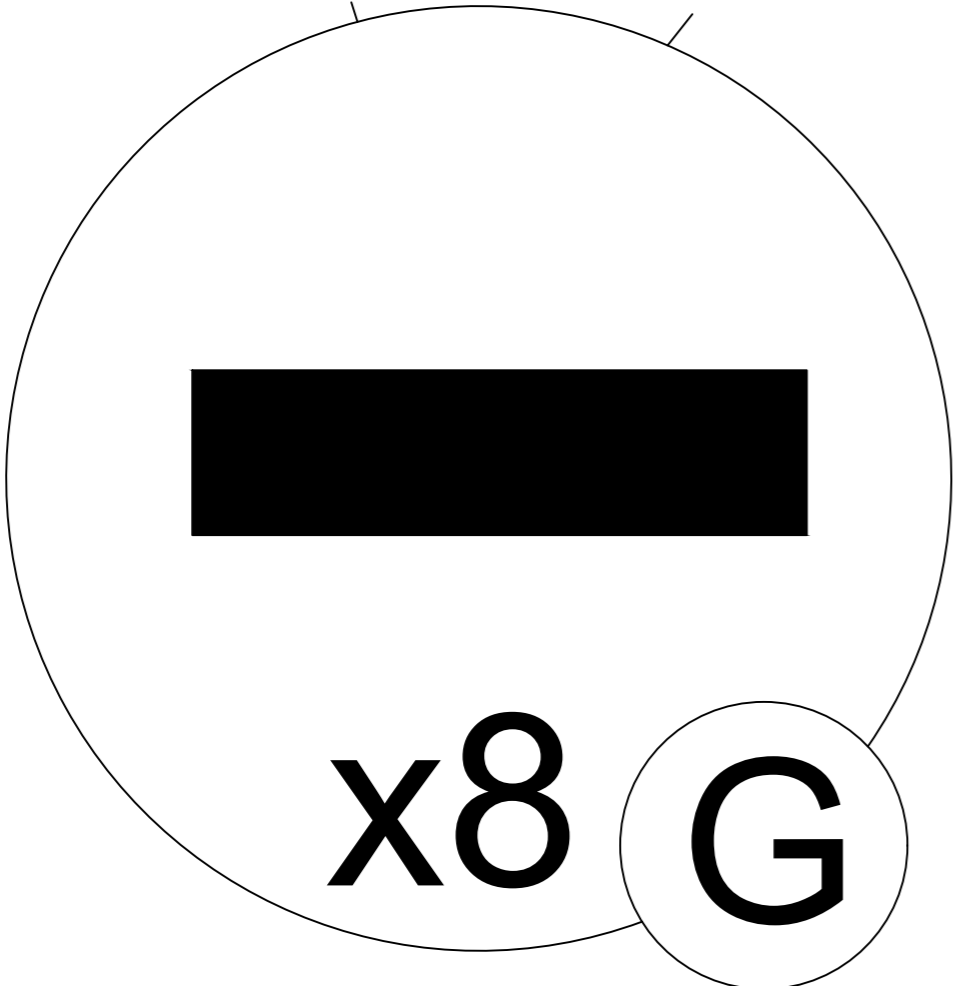
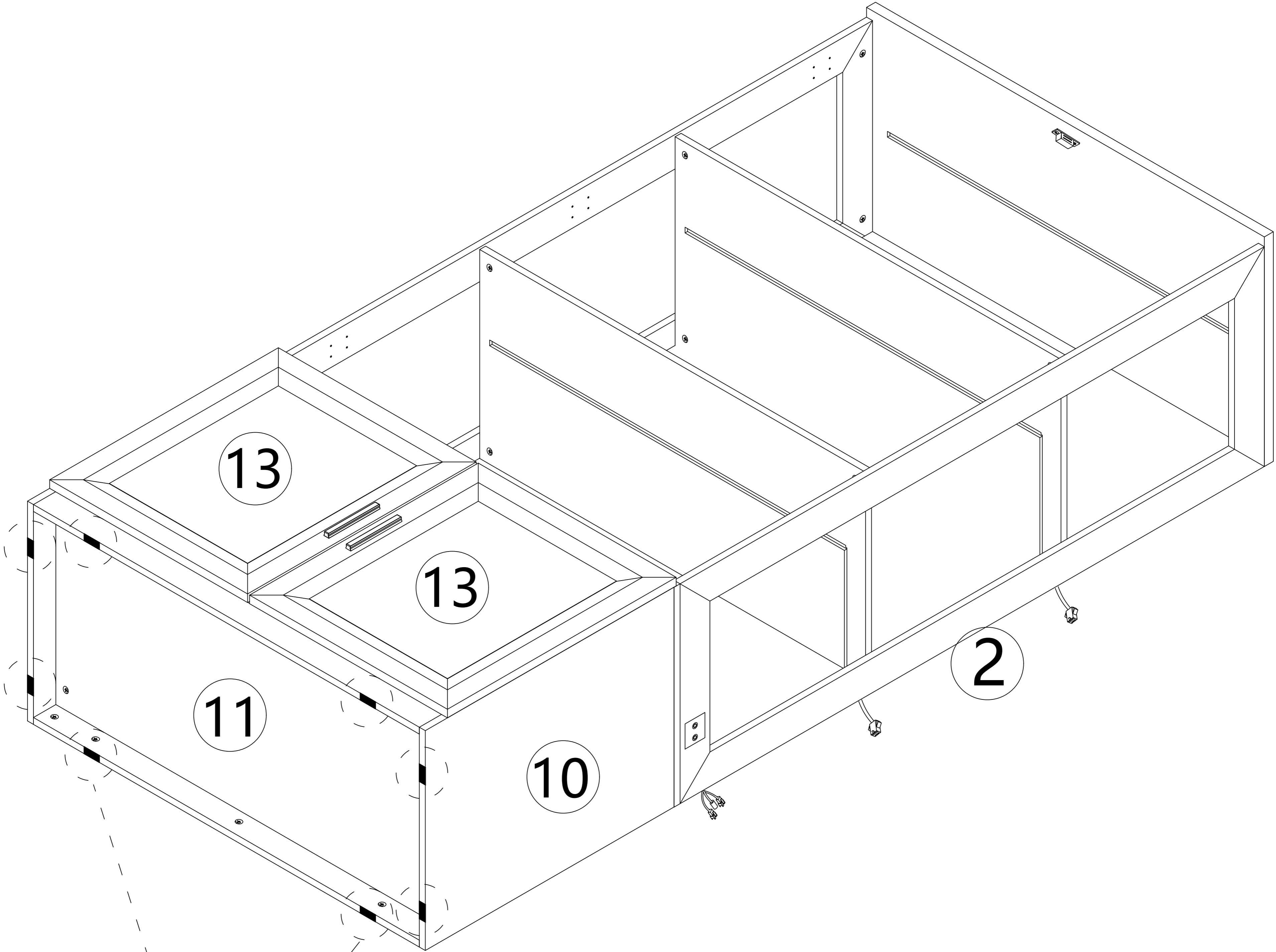
Step 25

G

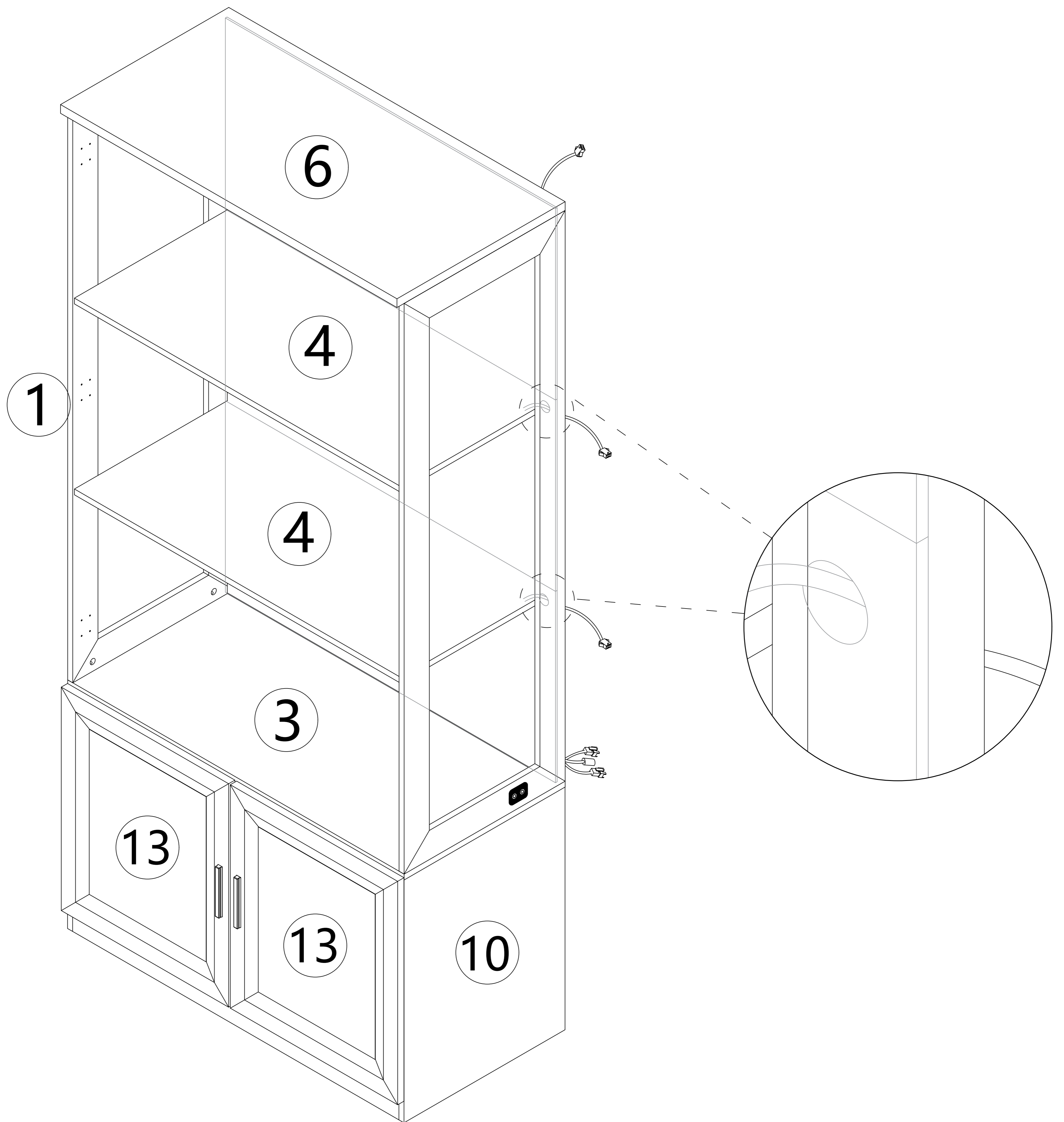


x8

Tear off release paper and stick the black foot pad on the board

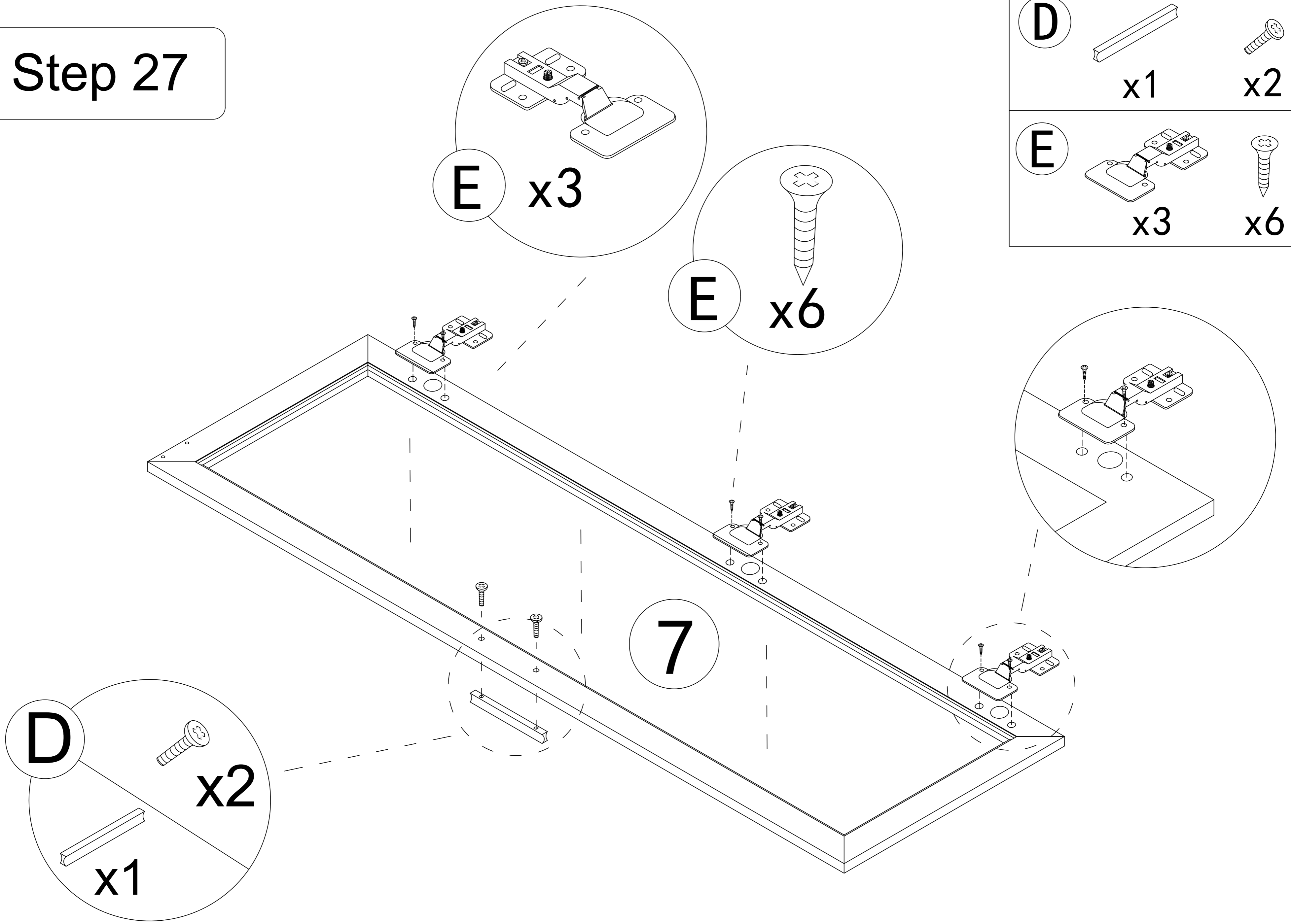


Step 26

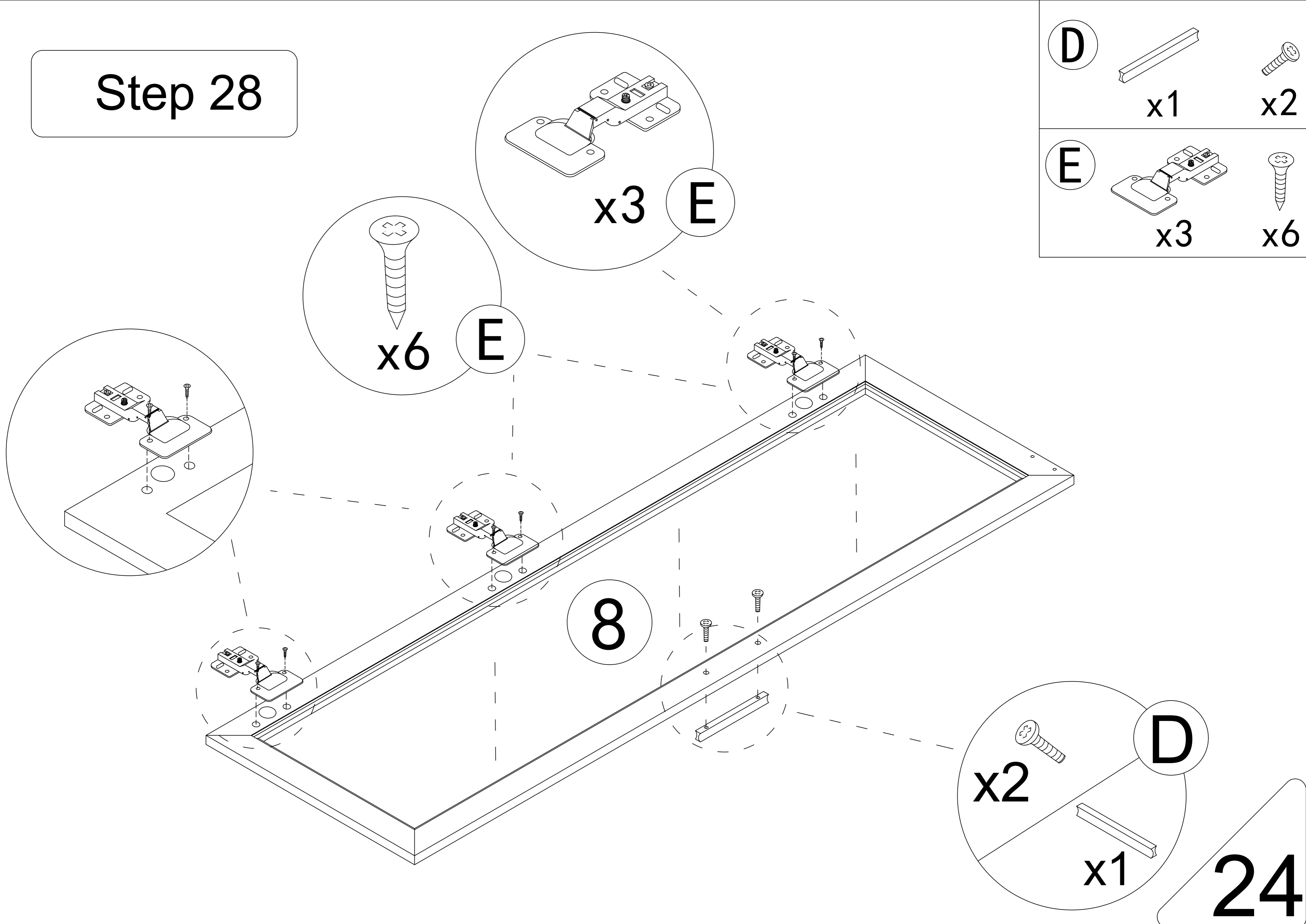


Thread the wire head through the back panel hole

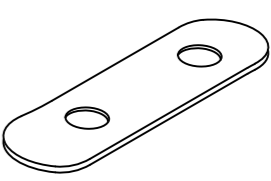
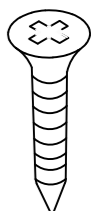
Step 27

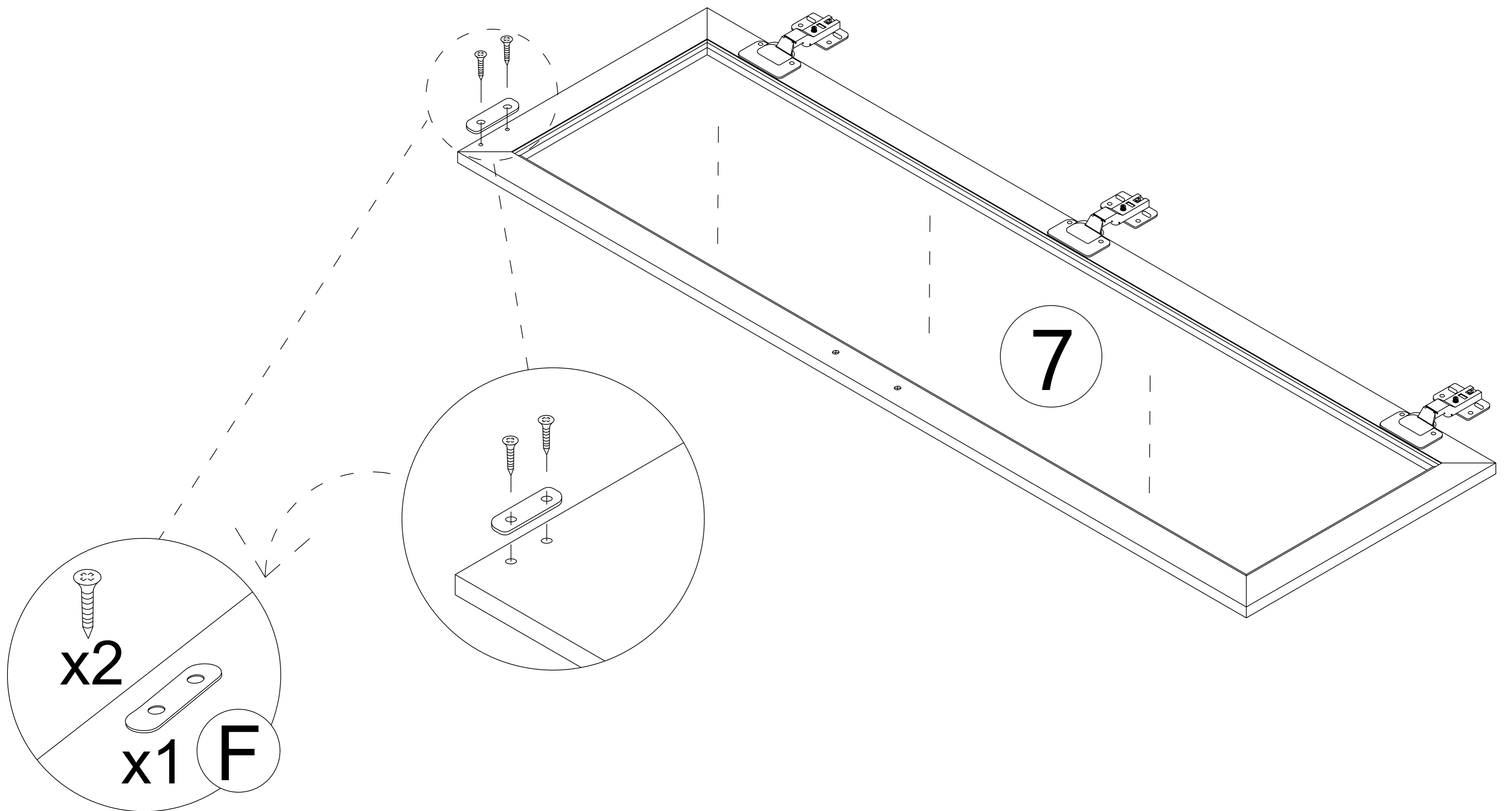


Step 28

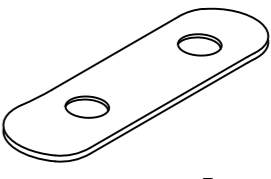
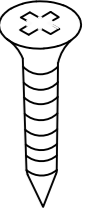


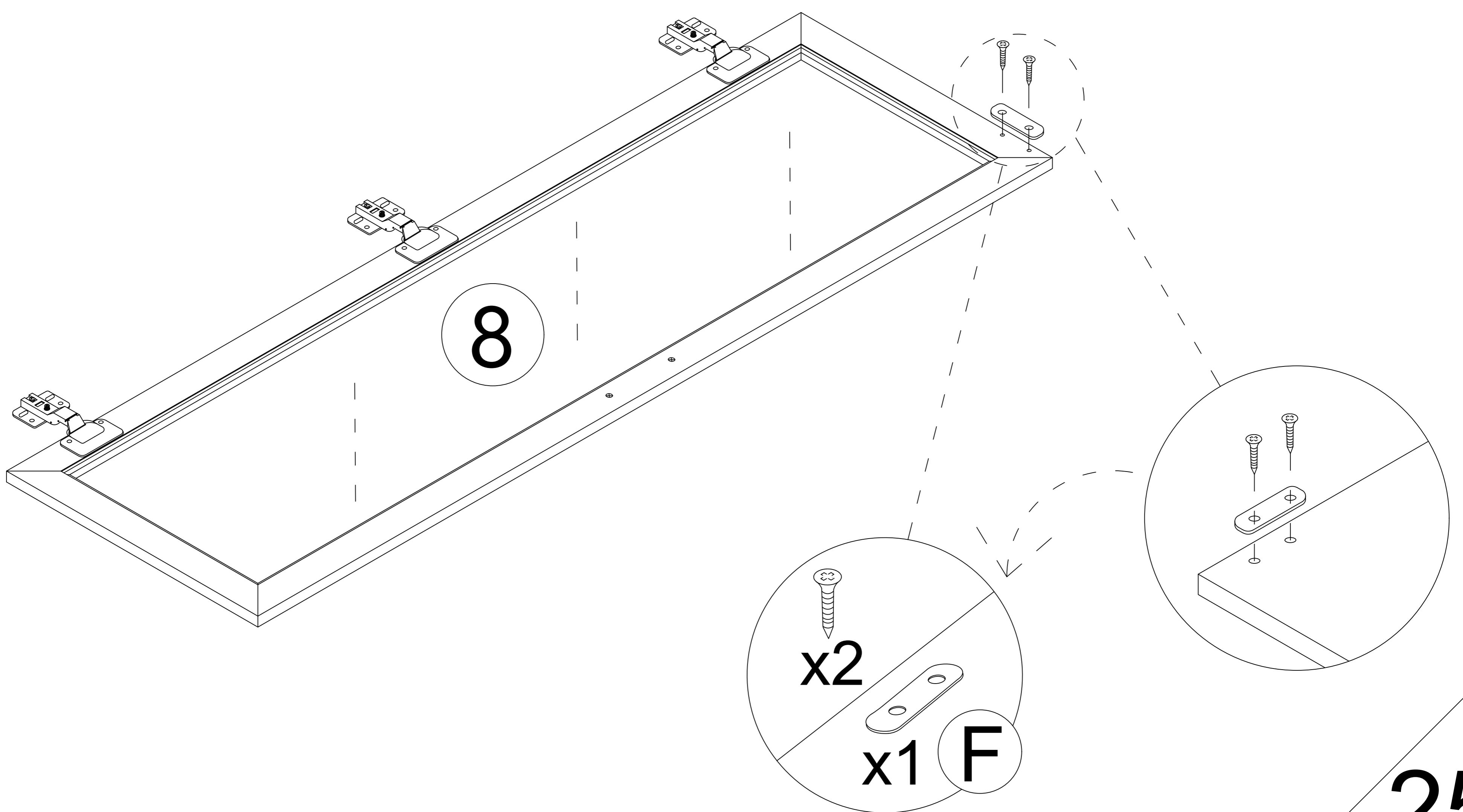
Step 29

- (F)  x1
-  x2

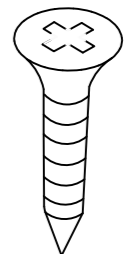


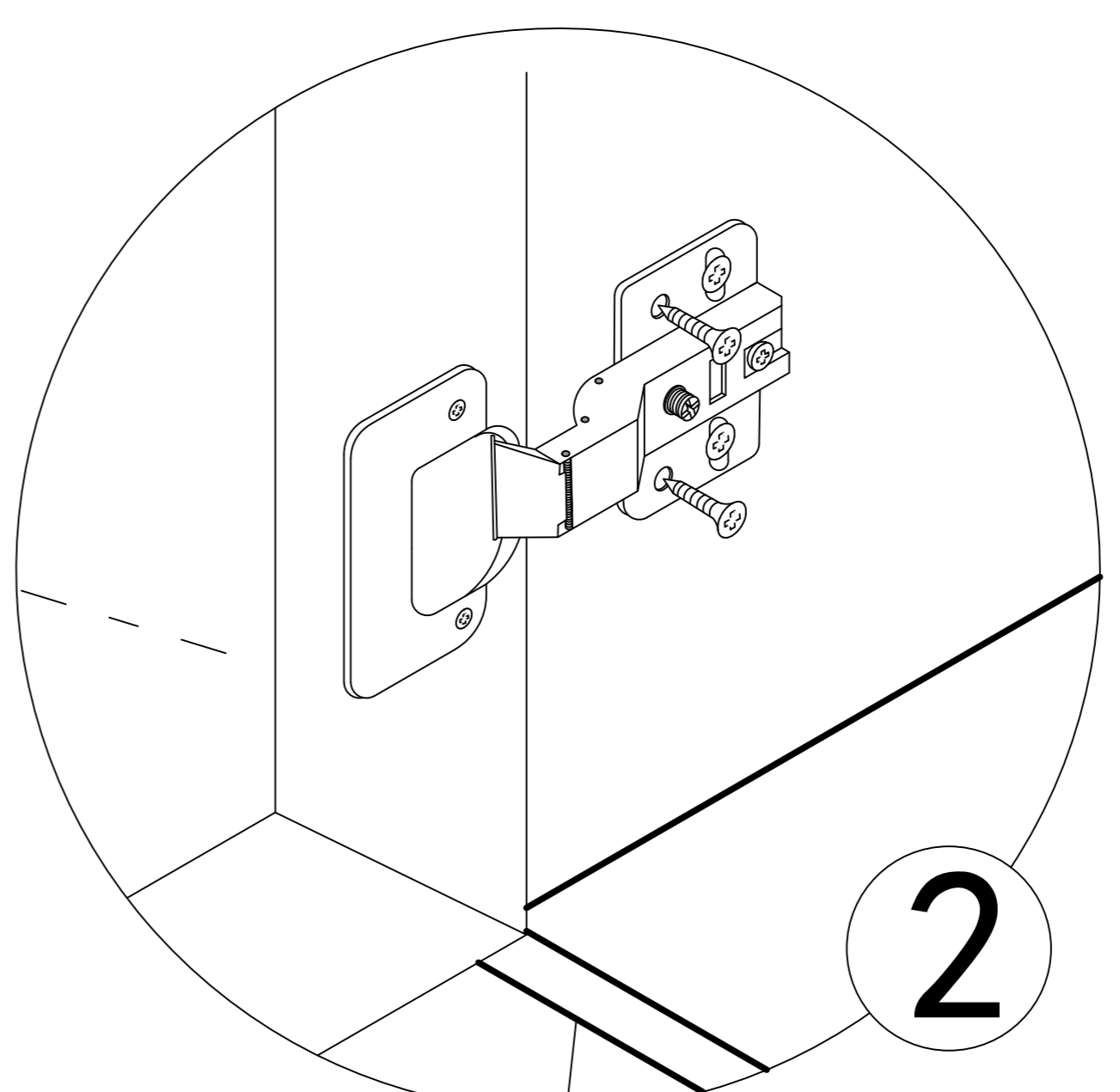
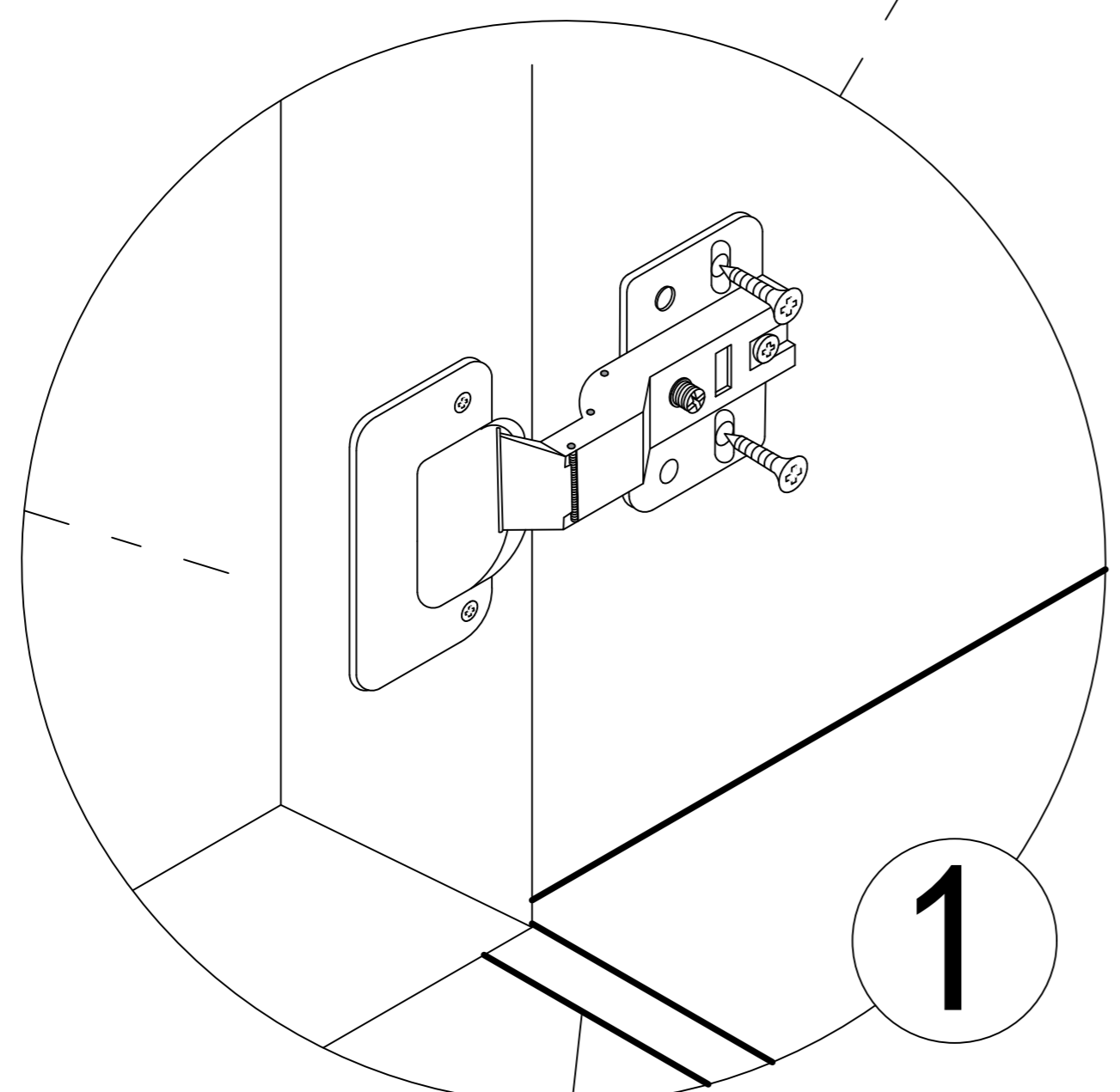
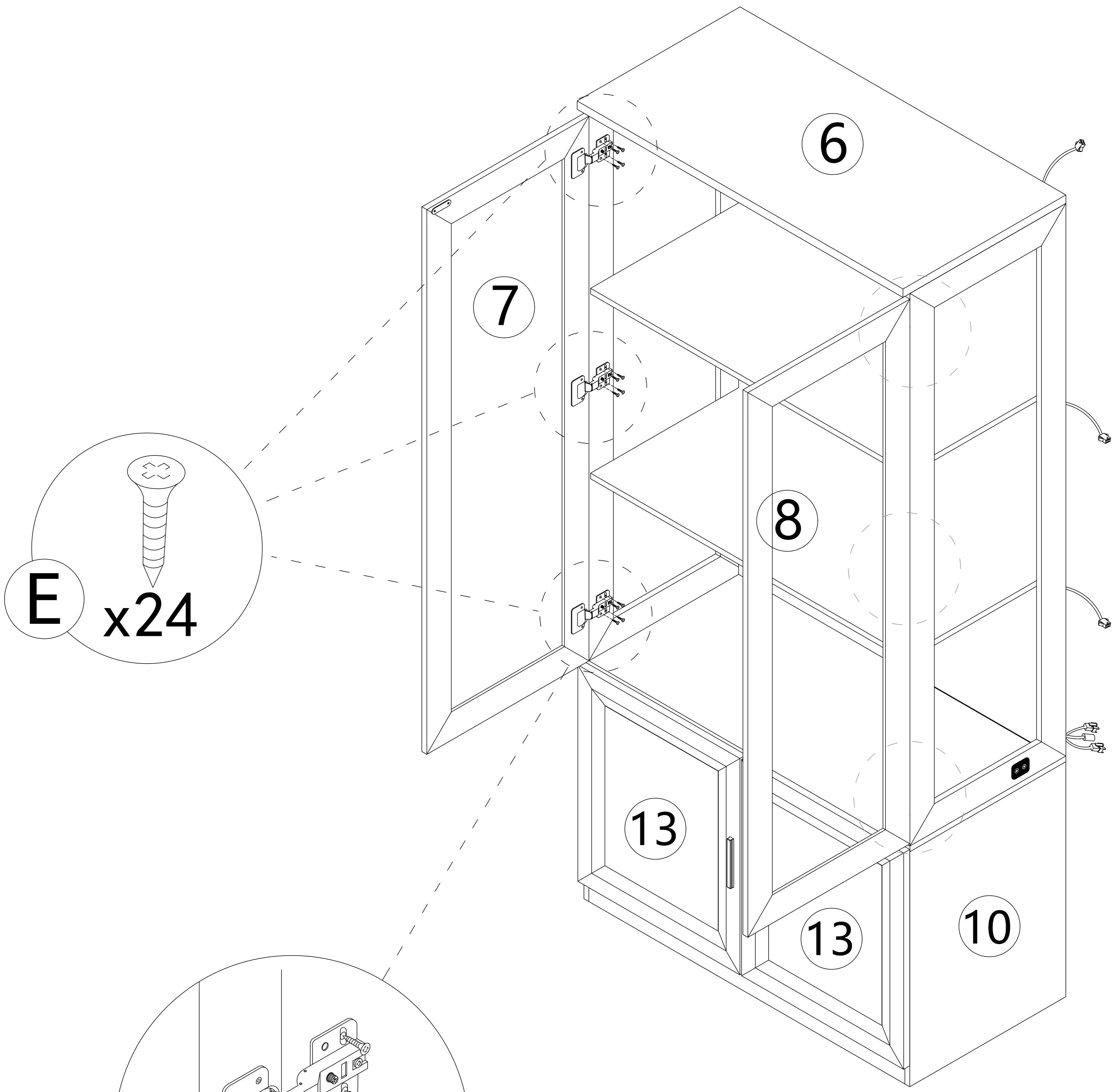
Step 30

- (F)  x1
-  x2



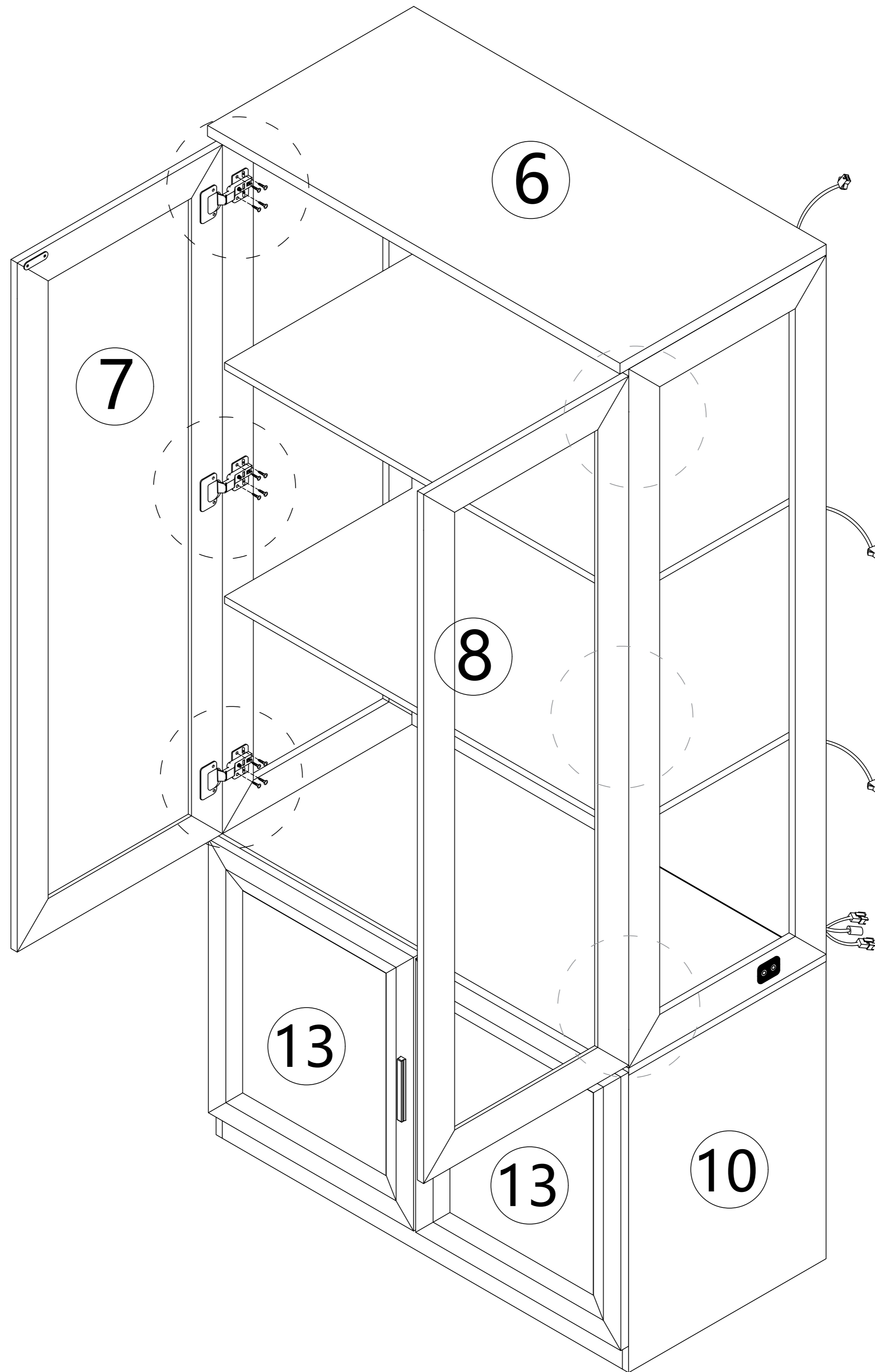
Step 31

E  x24

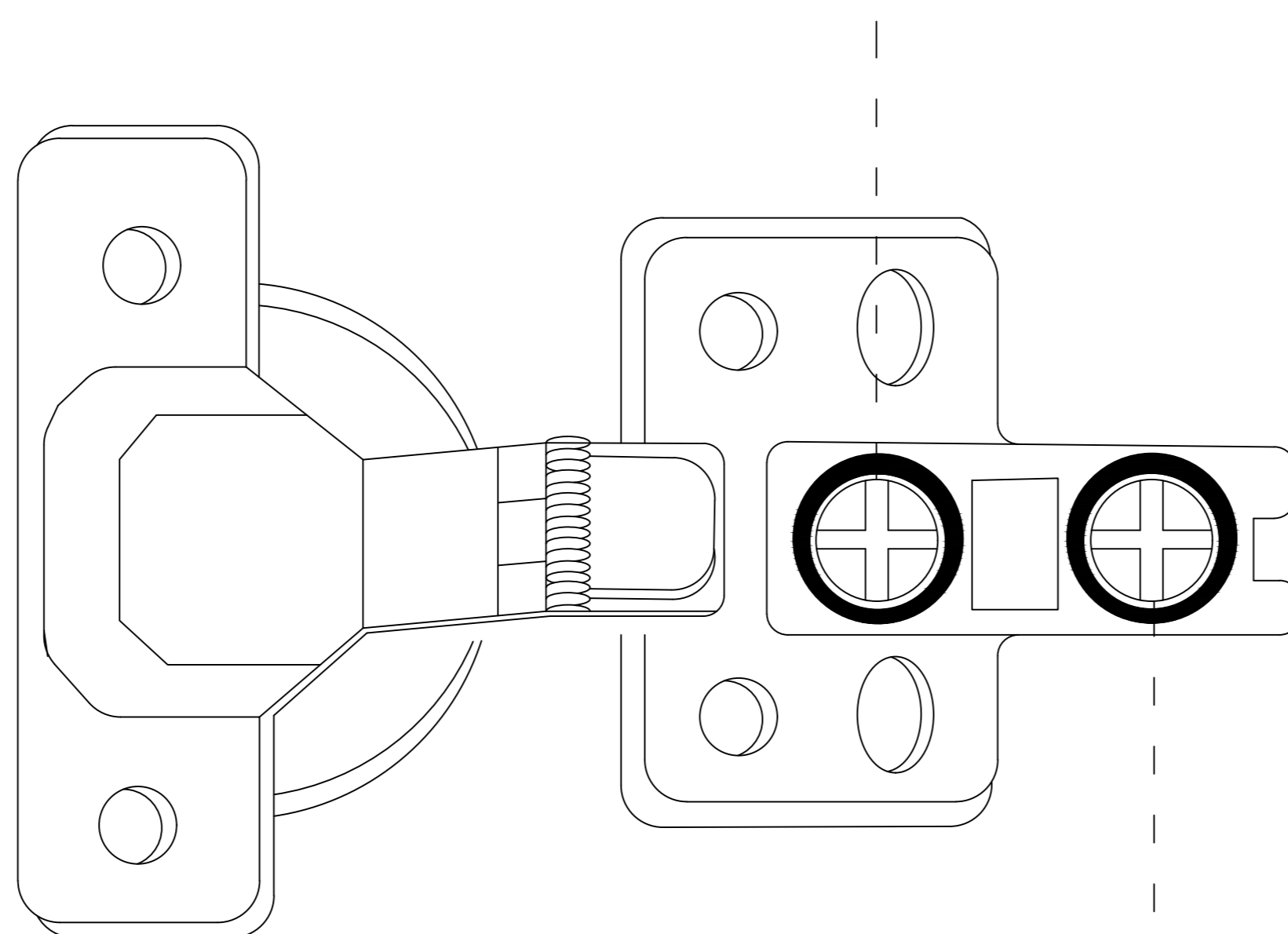


First lock the elliptical hole
then lock the fixed hole

Step 32

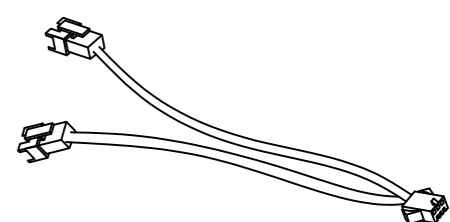


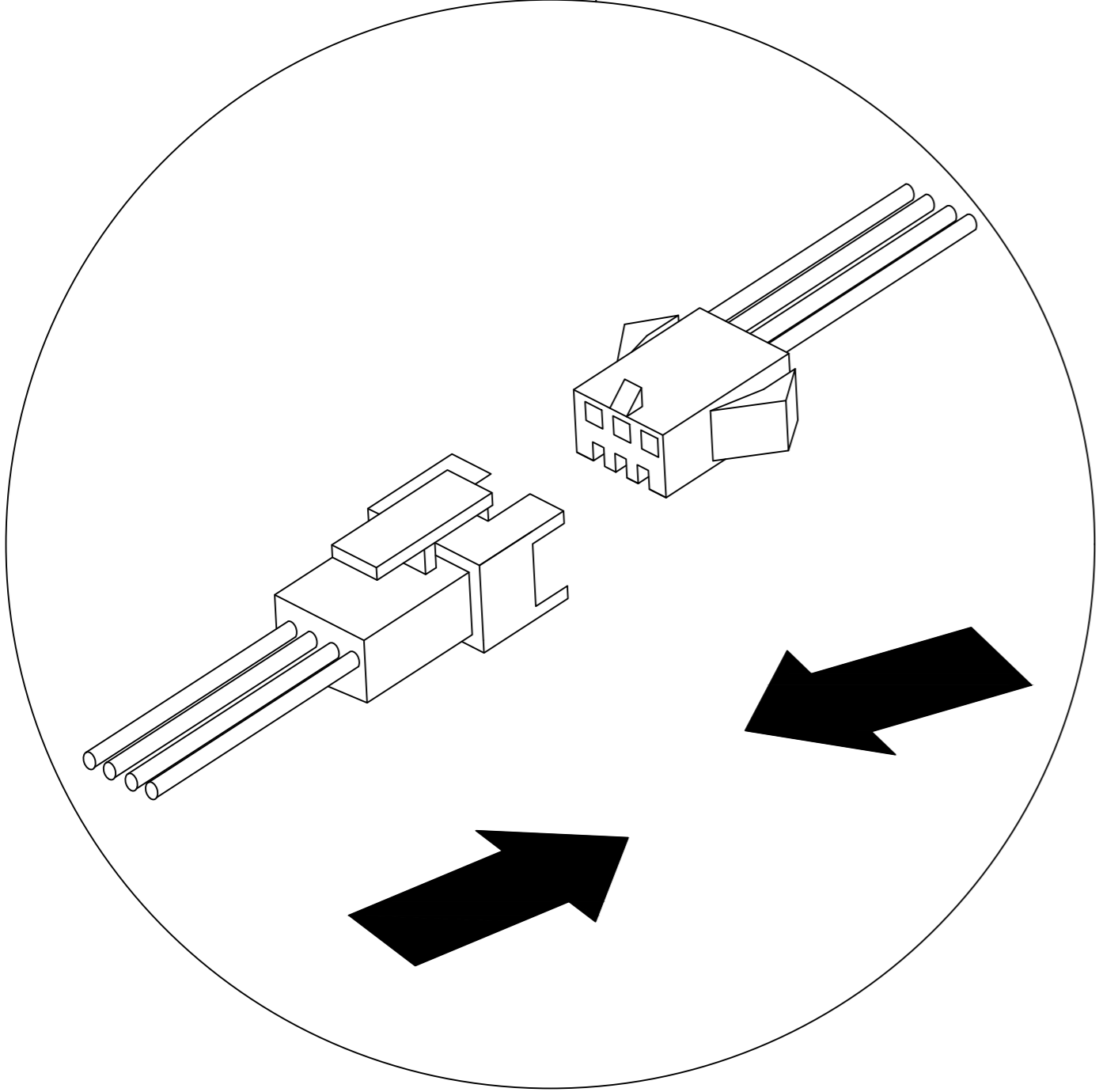
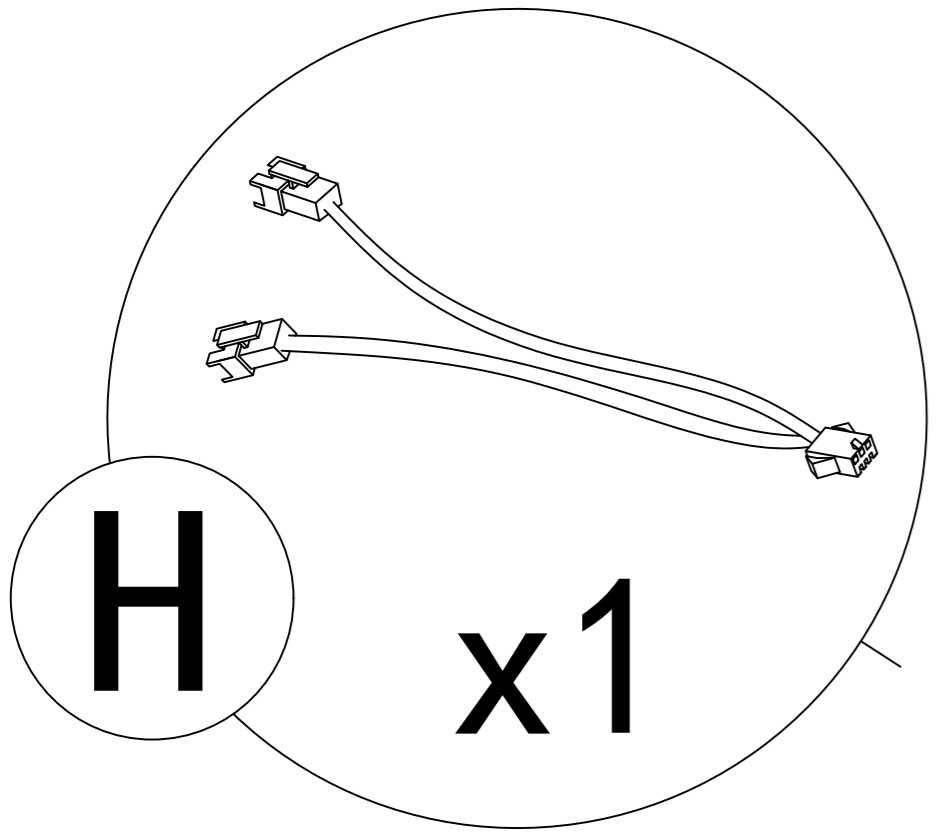
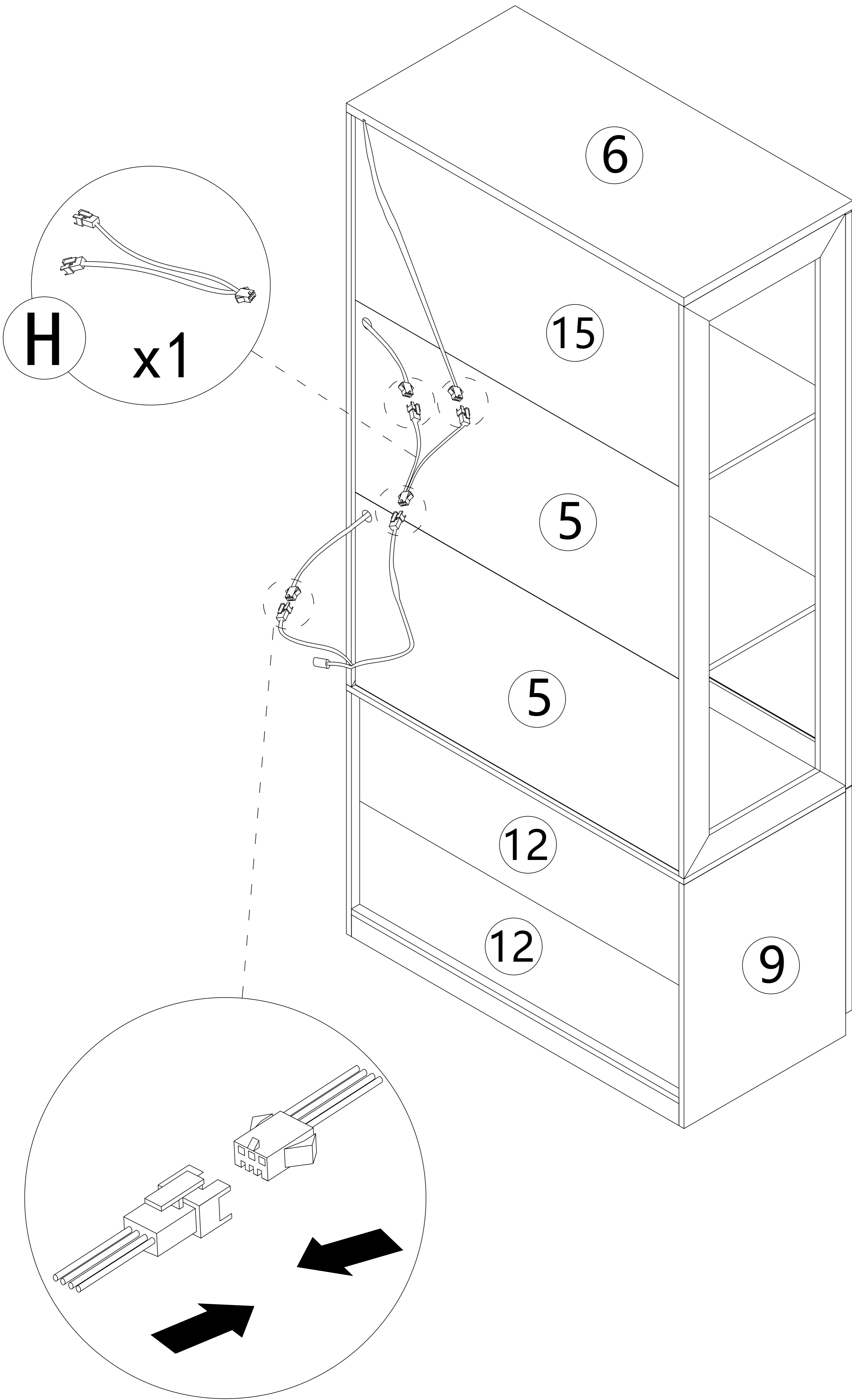
Turning this screw can effectively adjust the size of the door gap.



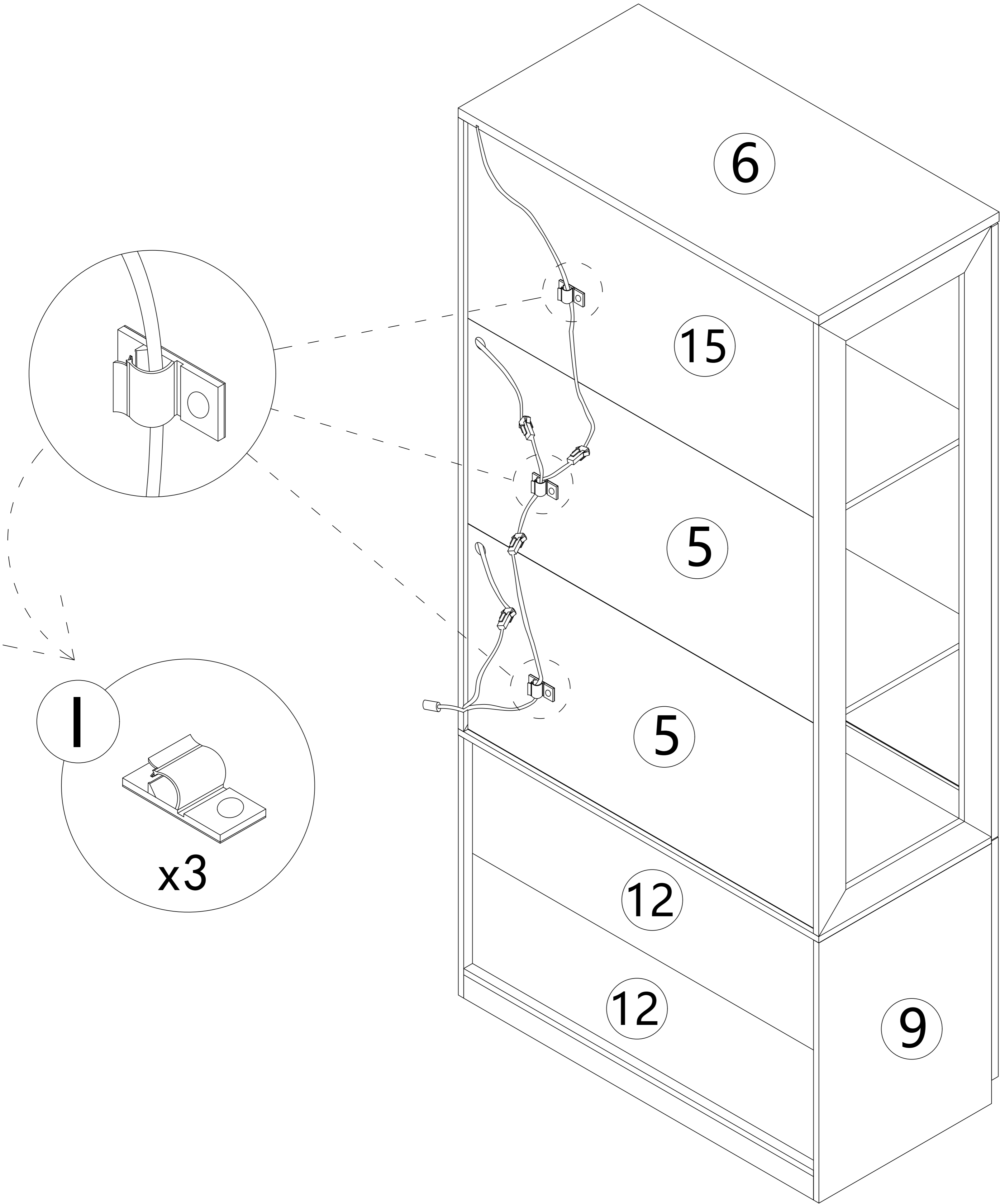
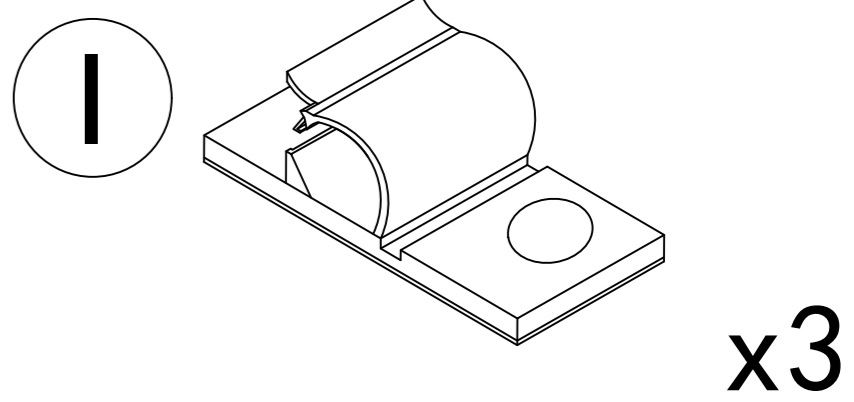
Turn this screw to adjust the door panel to be flat with the side panel.

Step 33

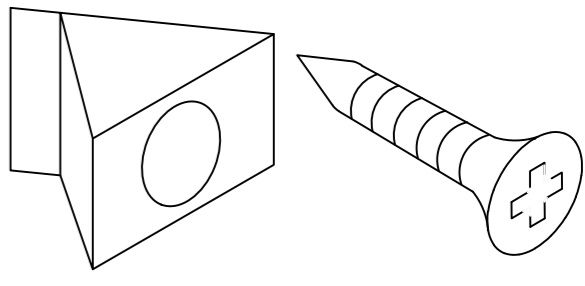
H  x1

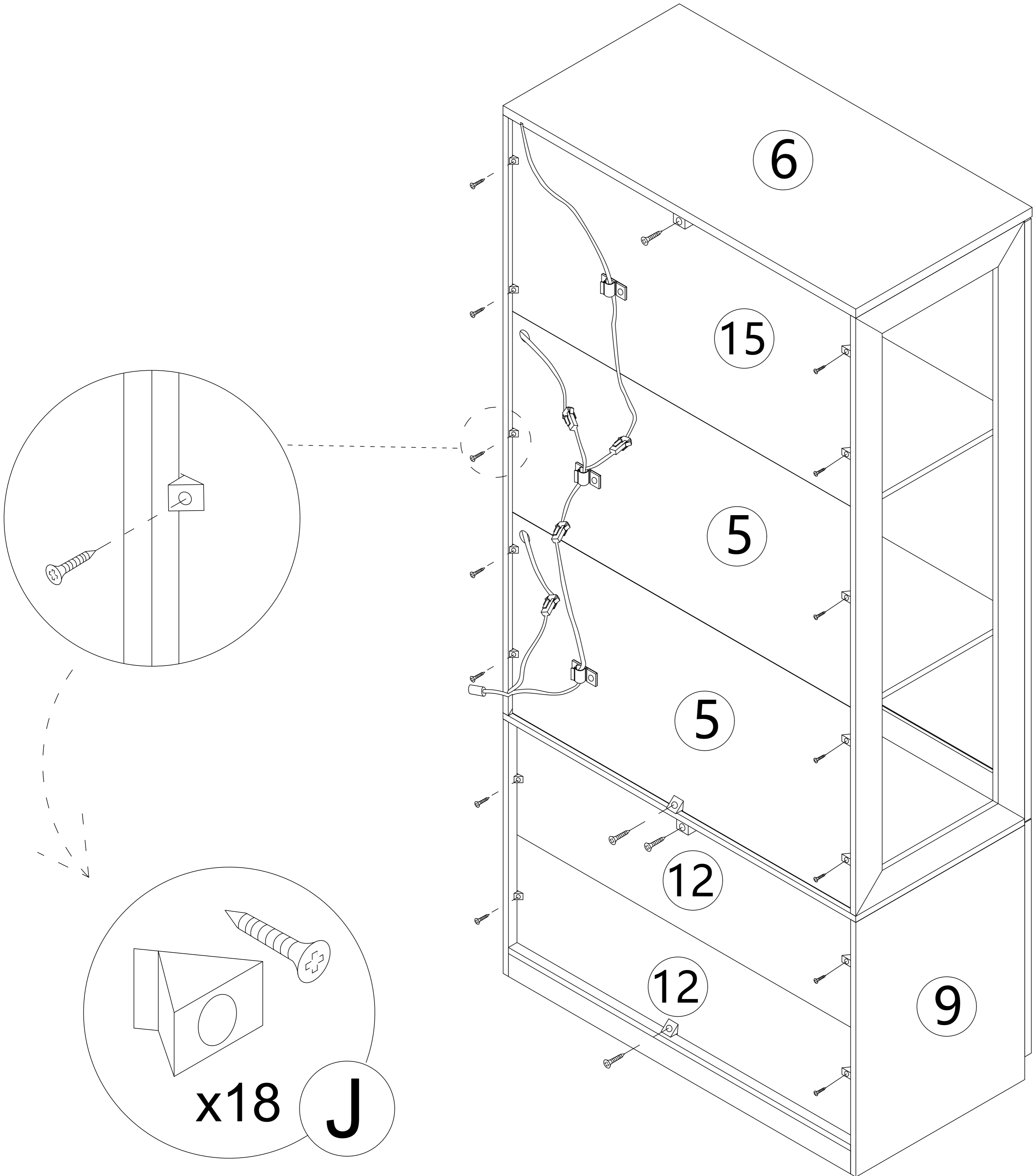


Step 34

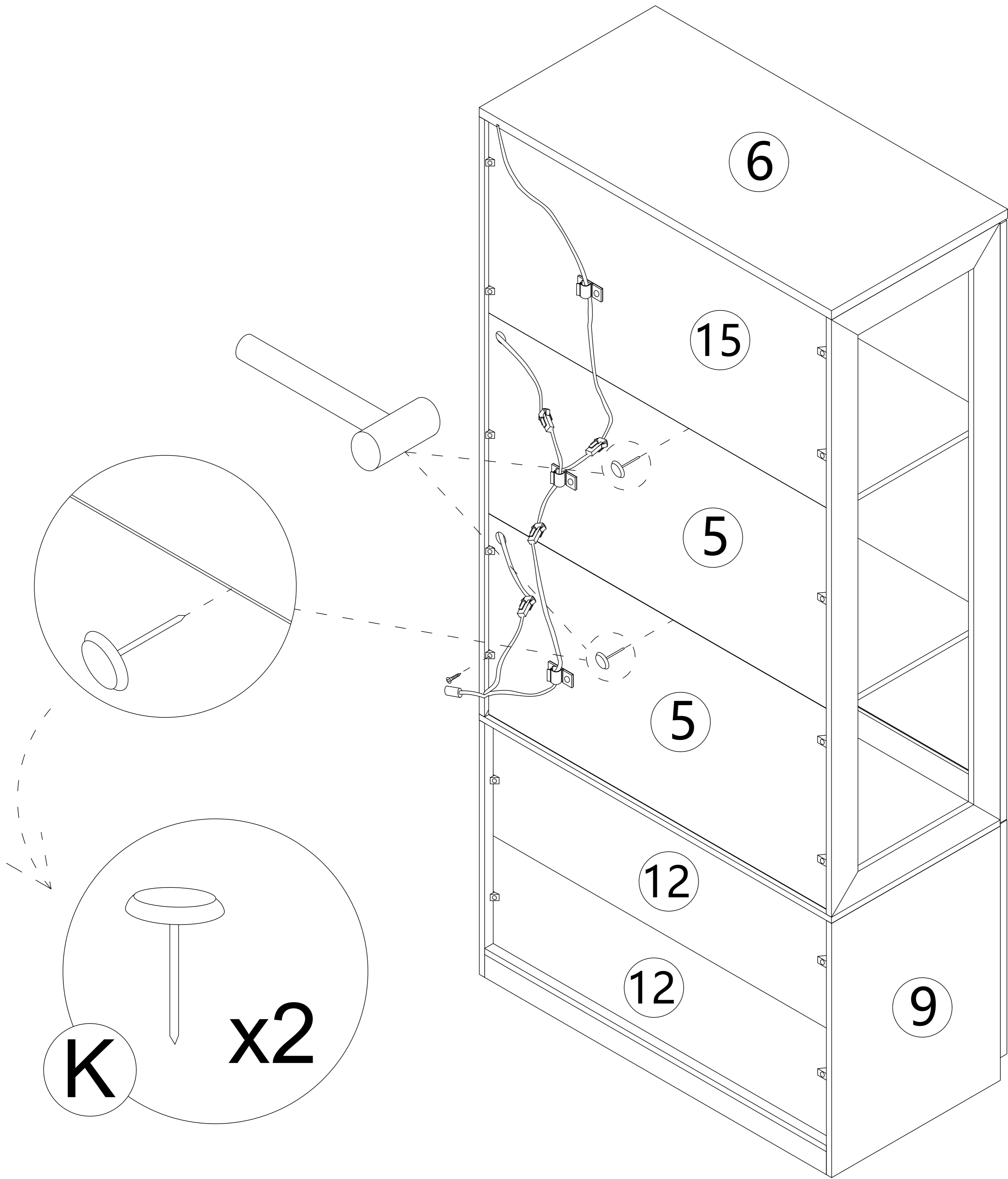
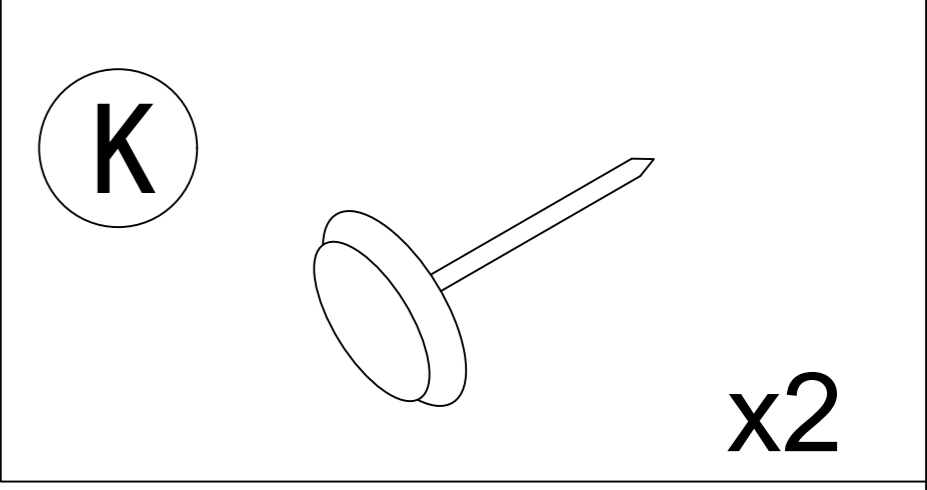


Step 35

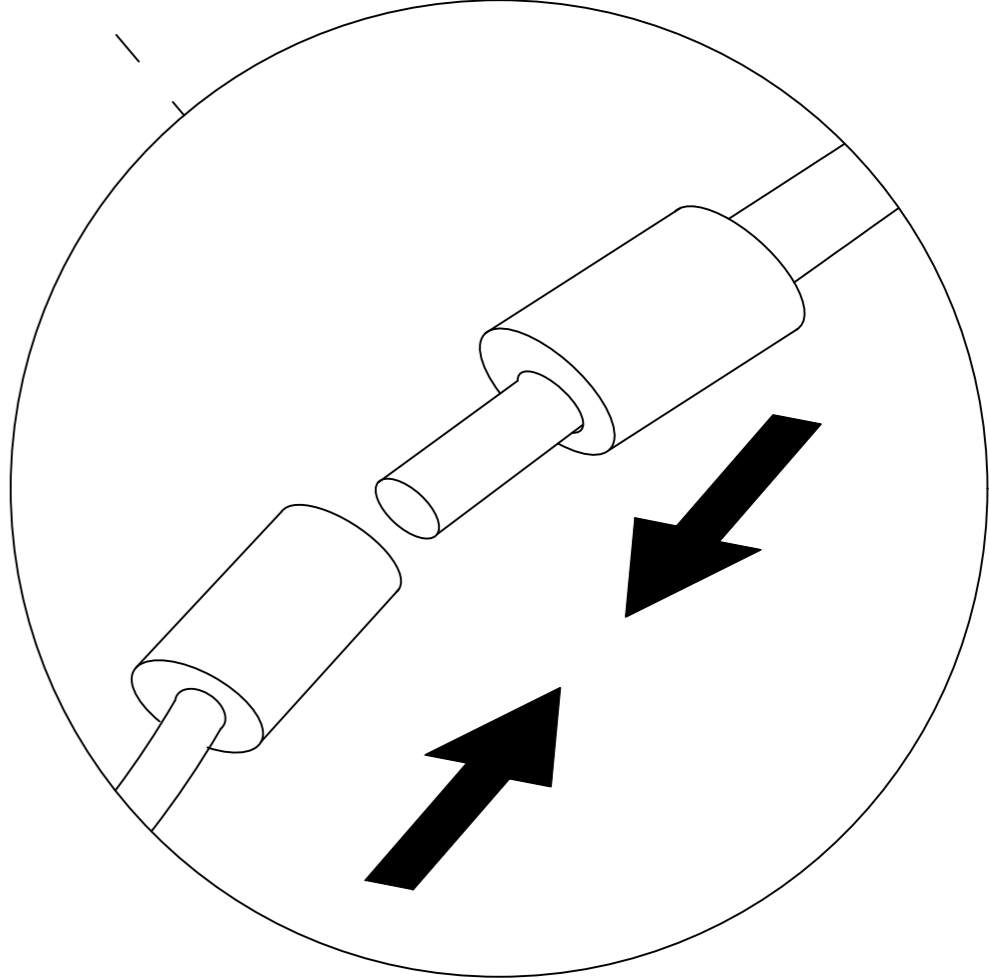
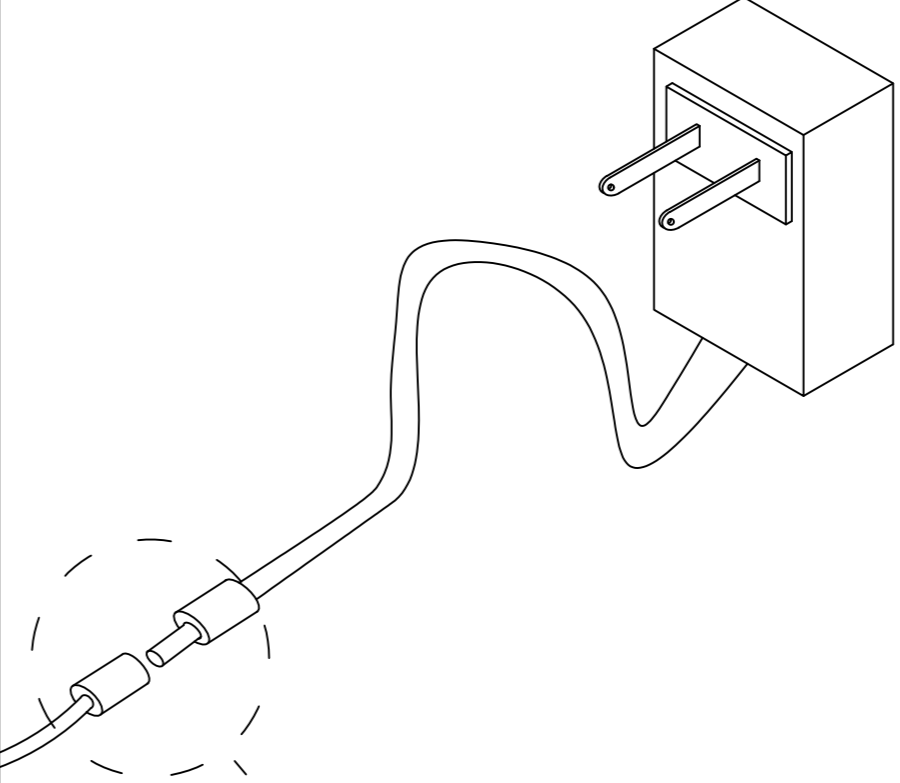
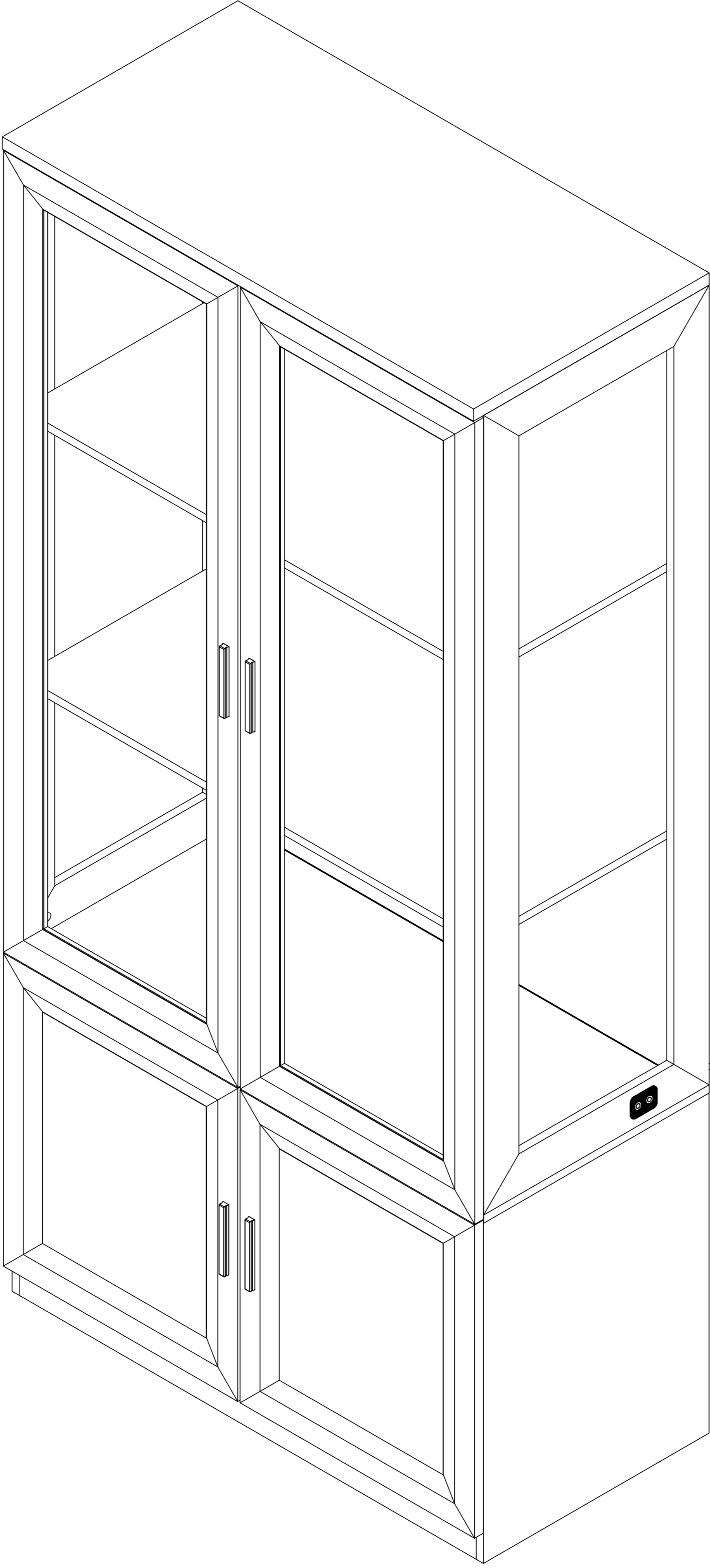
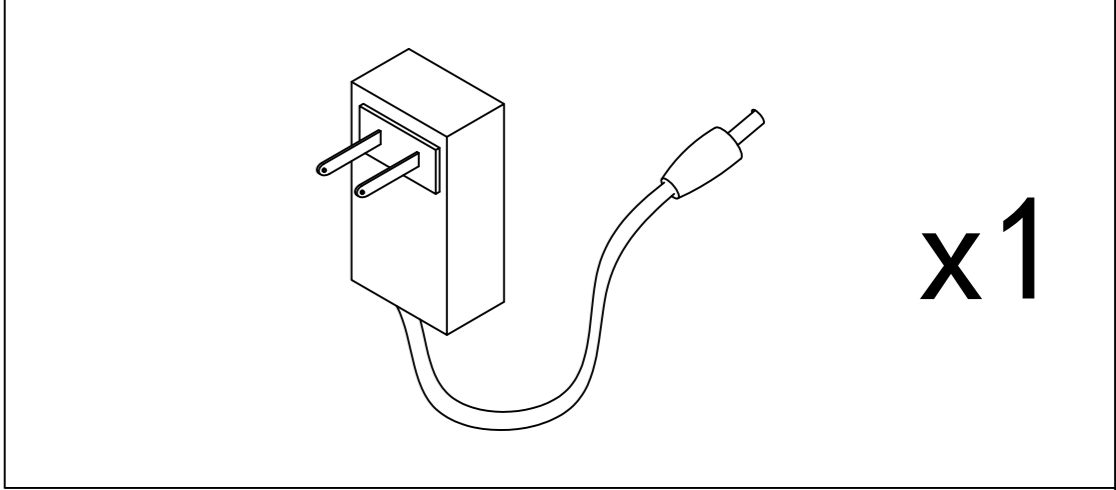
J  **x18**



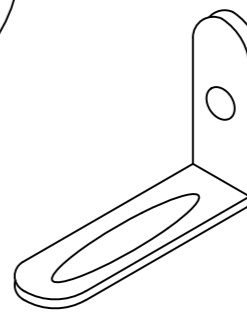

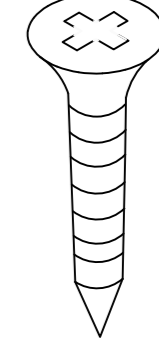
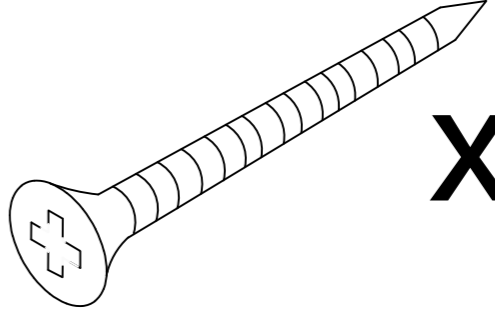
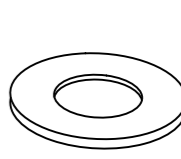
Step 35

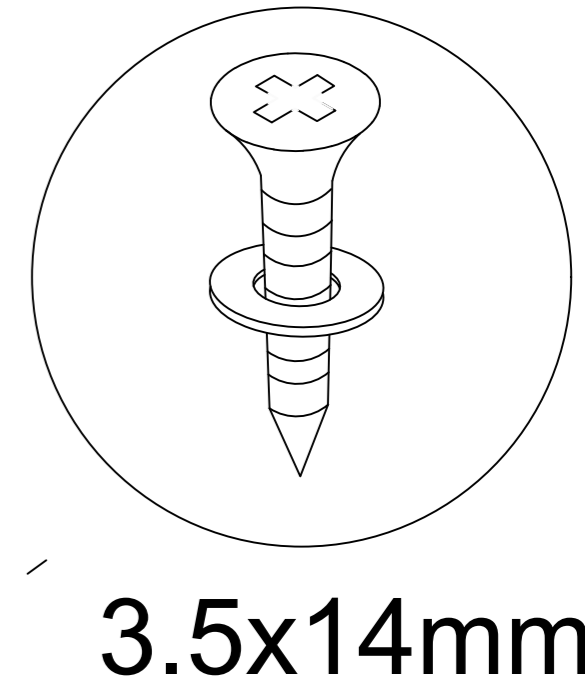
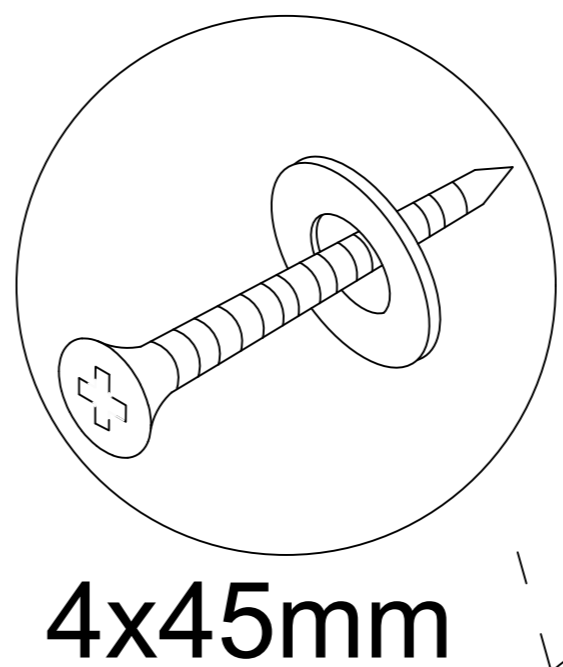
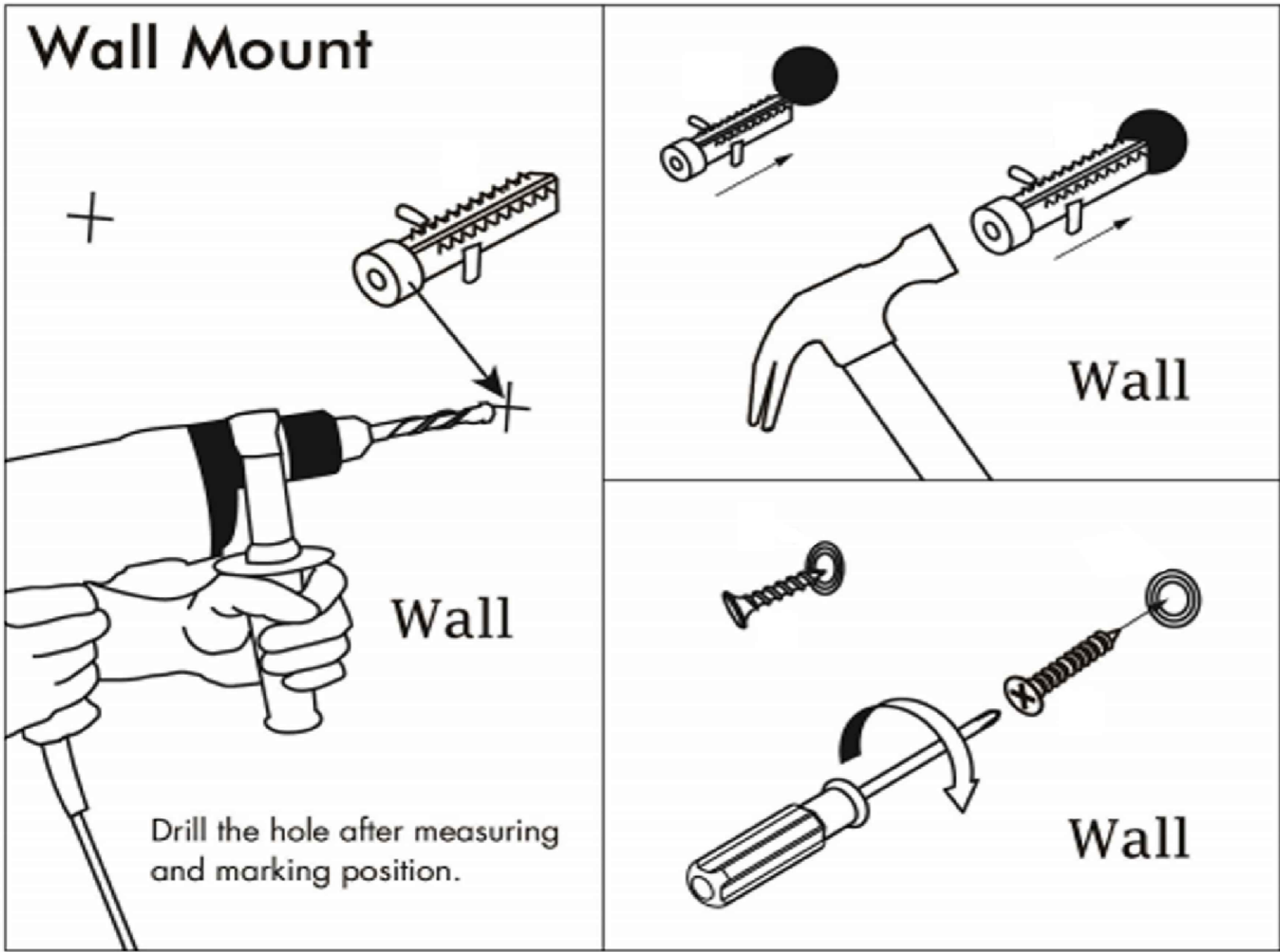


Step 36

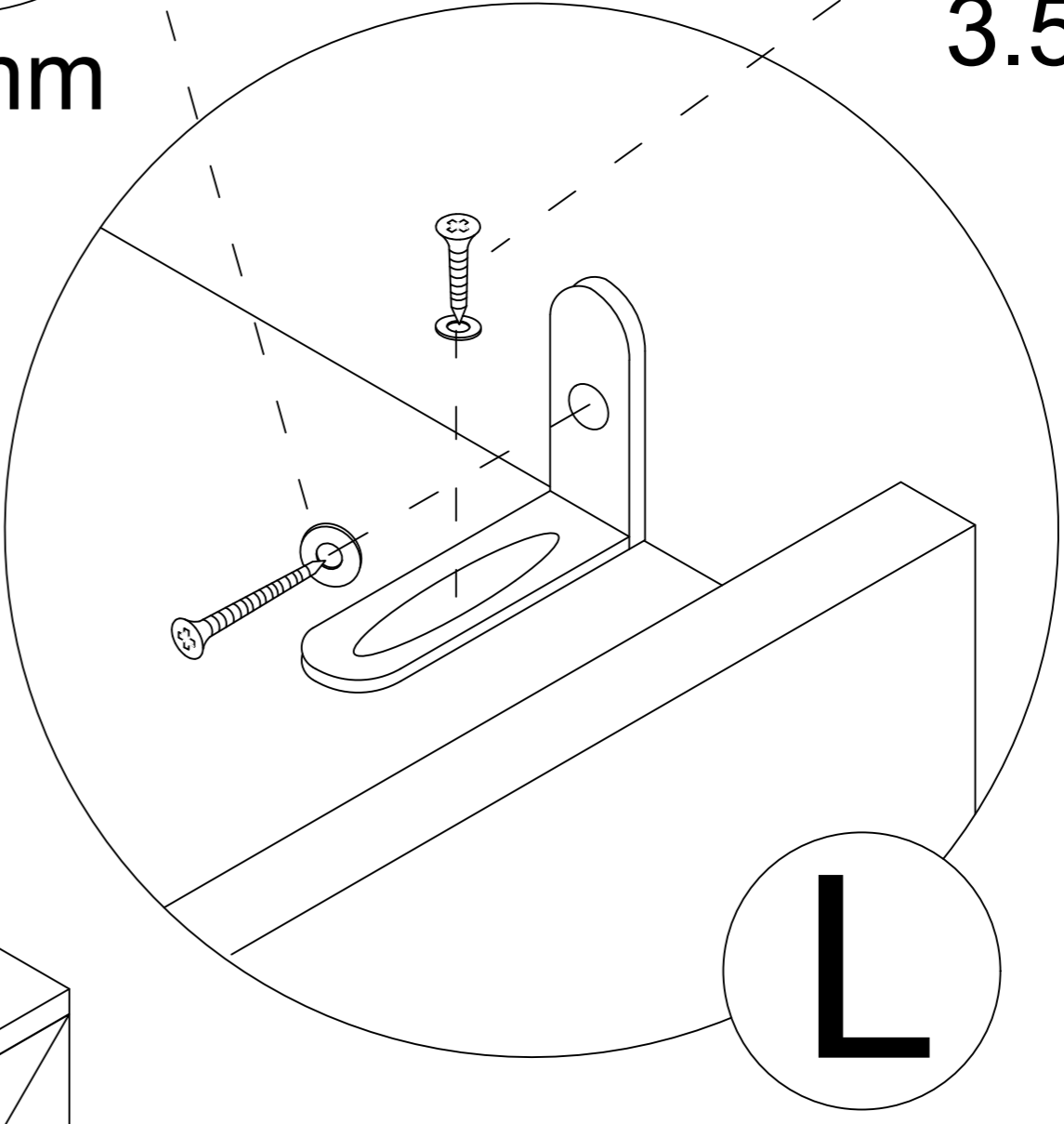
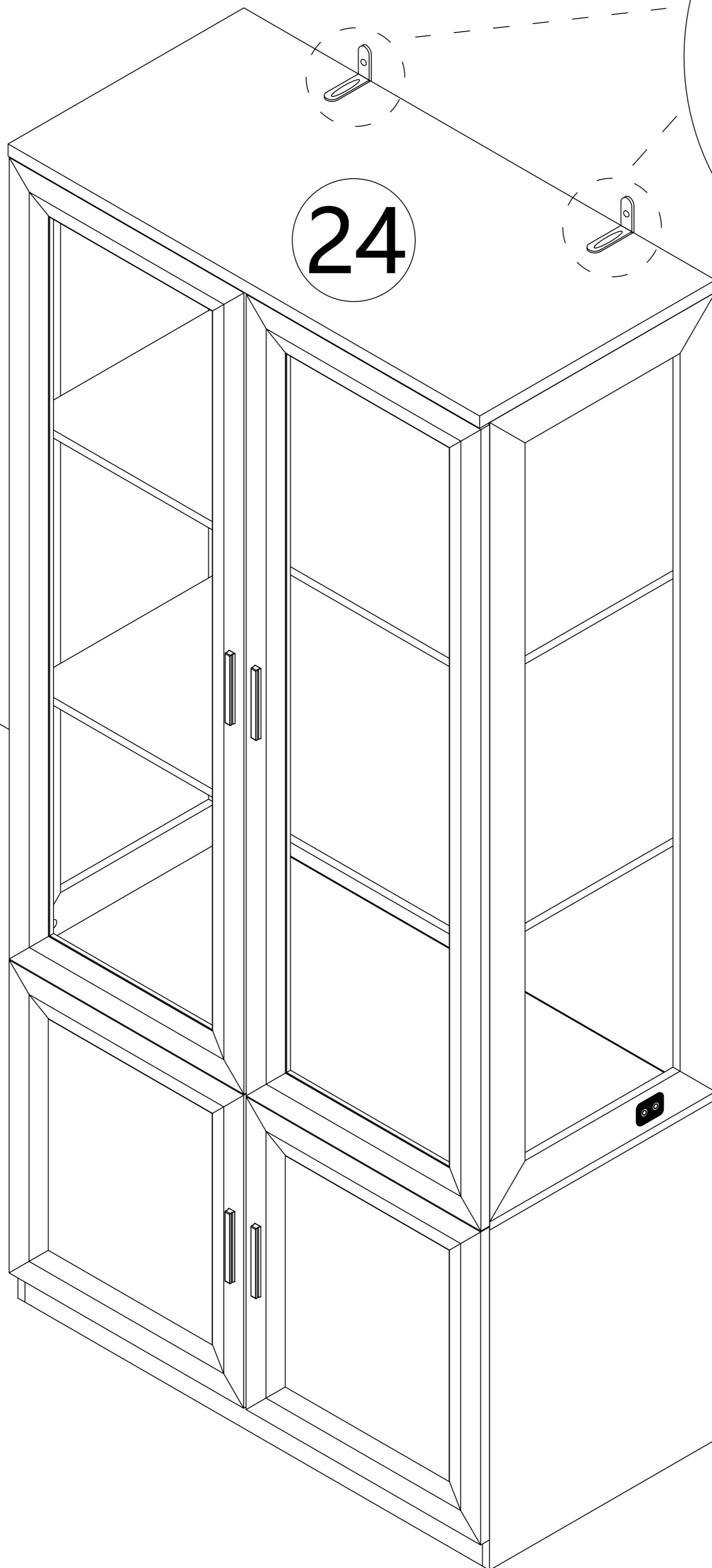


Step 37

- L**  x2
-  x2
-  x2
-  x2
-  x4



wall



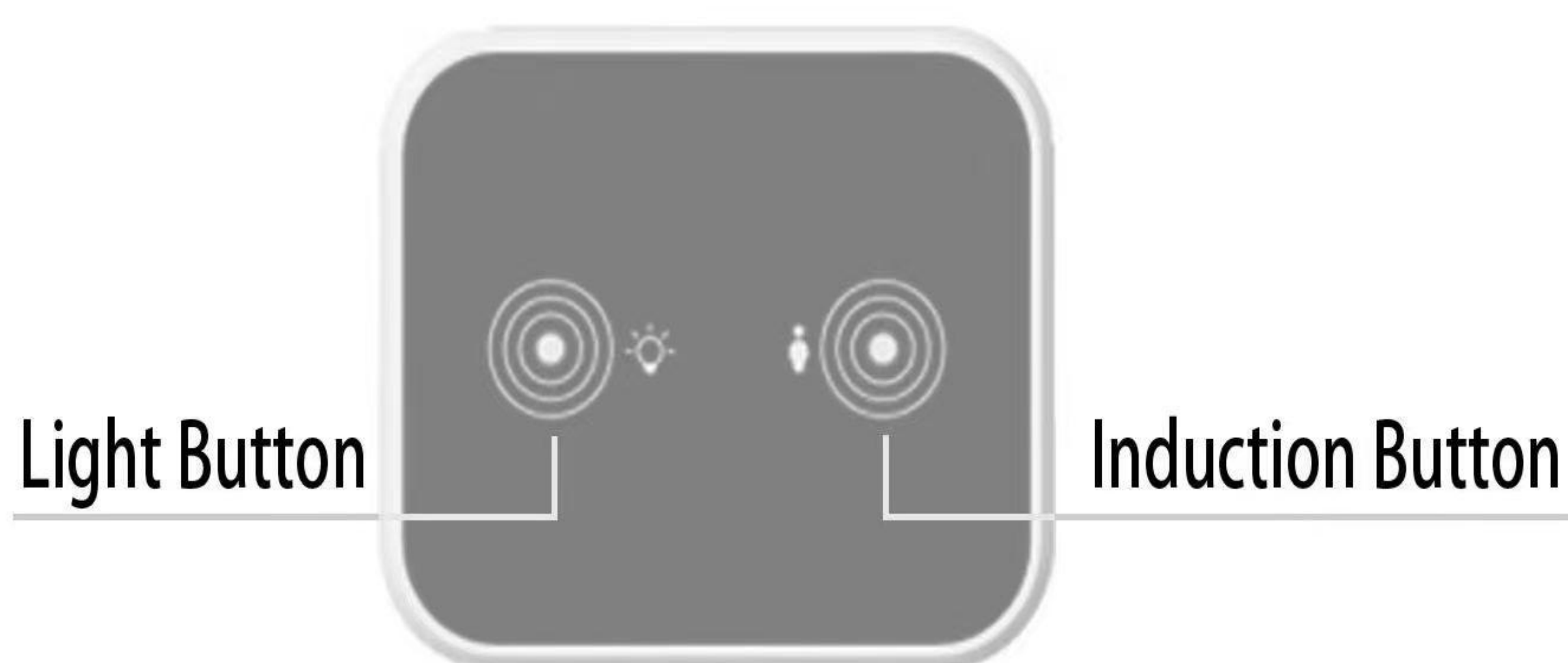
User's Guide

Thank you for purchasing this product. To use this product, please plug it into a 12V DC power supply. Please use if the product works normally after connecting to power.

Introduction

The box is an intelligent controller with 2 touch buttons. It can turn ON/OFF the light, change light colors, and adjust the light luminance.

Product Show



ATTENTION PLEASE

1. If there is no touch response suddenly, Re-plug the power to reset the touch static electricity.
2. If bubbles appear on the panel, remove the protective film.

Operation



This touch button is used to turn on/off, change colors, and adjust brightness.

A. Short touch -> lighting on -> short touch -> change light color -> short touch -> change light color -> short touch -> lighting off. B. Long touch -> adjust the luminance



This touch button is used to turn on/off the induction function.

A. Short touch to turn on the induction function. It can auto-turn on the light when people are close to the controller in 1 meters. It can auto power off the light when the body is far away from the controller after 30 seconds.

B. Long touch to turn off the induction function.

C. Note: When you touch the light button to change the light modes, the induction function will automatically turn off. It is best to turn on this function after selecting the light color and adjusting the brightness you want.