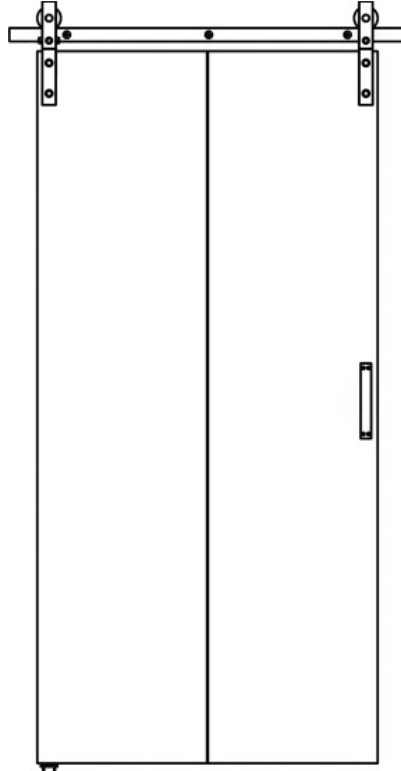
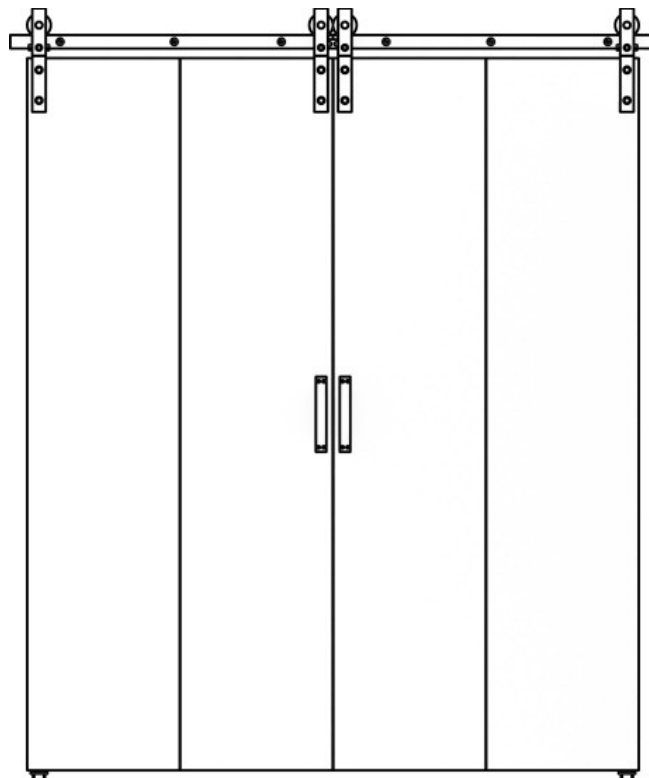


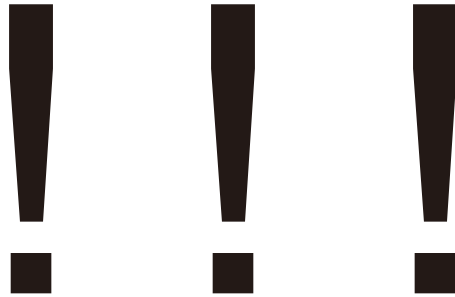
Bi-Fold Barn Door Hardware Instruction Manual



(J-Shape Single Door)



(J shape double door)



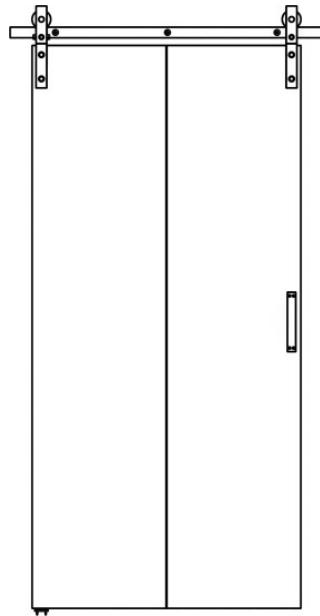
The positions for door holes in
single & double doors are different.
Please find the corresponding installation
instructions for single & double doors,
drill holes on the doors,
and then install them.

Catalogue

**Single door hardware kit
P3-P10**

**Double door hardware kit
P11-18**

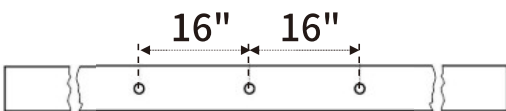
(J-Shape Single Door)



Product Content

Single door hardware kit includes

Part Name	Picture	3FT	3.3FT	4FT	4.3FT
Steel Hanger		1	1	1	1
Adjustable Spacer		3	3	3	3
Flat Track		1	1	1	1
Door Hinge		2	2	2	2
Bottom Pivot and Bracket		1	1	1	1
Handle		1	1	1	1



*All sizes of track holes have a pitch of 16 "

Tools Needed

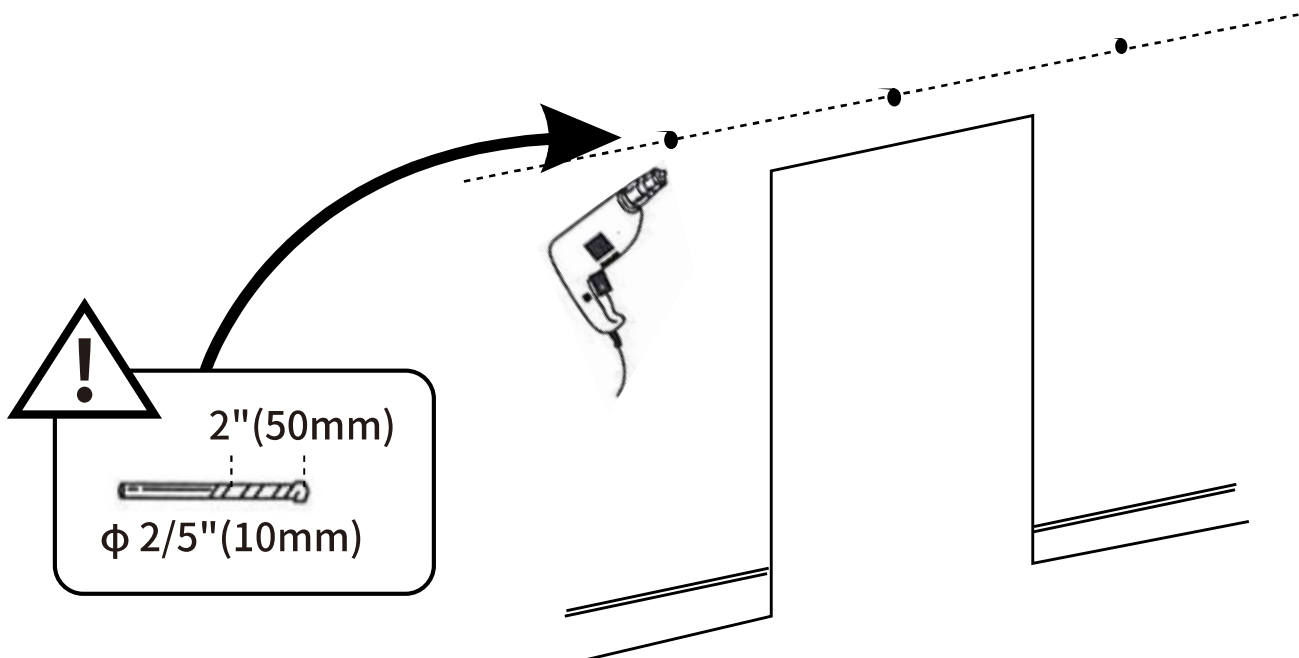
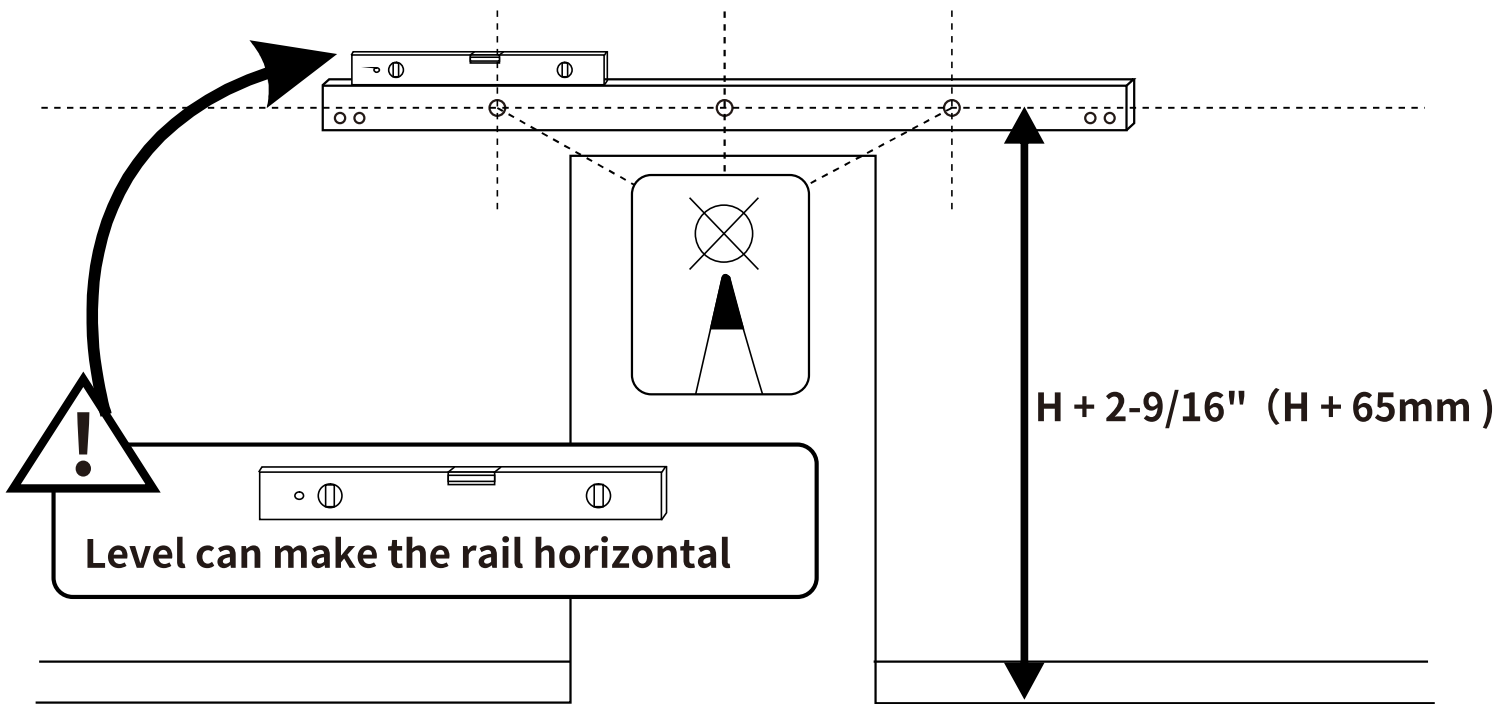
Pencil		Wrench		Tape measure	
Wrench		Phillips Screwdriver		Plumb Bob	
Drill		Drill Bit			

Single door hardware kit

01 Draw Line for the Track, Drill Track Holes

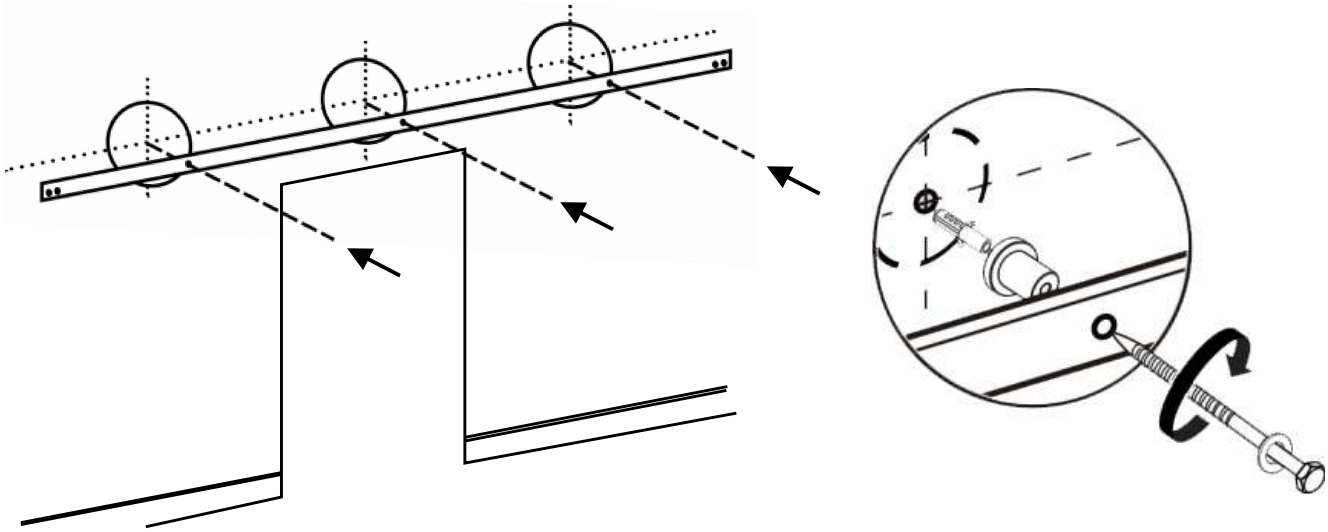
a. Place the rail against the wall, Using a level, draw a line for the Track, and use a pencil to mark where the holes should be. Make sure the height of holes on the wall is $H + 2\text{-}9/16''$ ($H + 65\text{mm}$)

Note :
Concrete wall: Drill holes by using a $2/5''$ (10mm) concrete drill bit .
Wood framed wall: Drill out the holes by using a drill with $1/4''$ (6mm) drill bit .



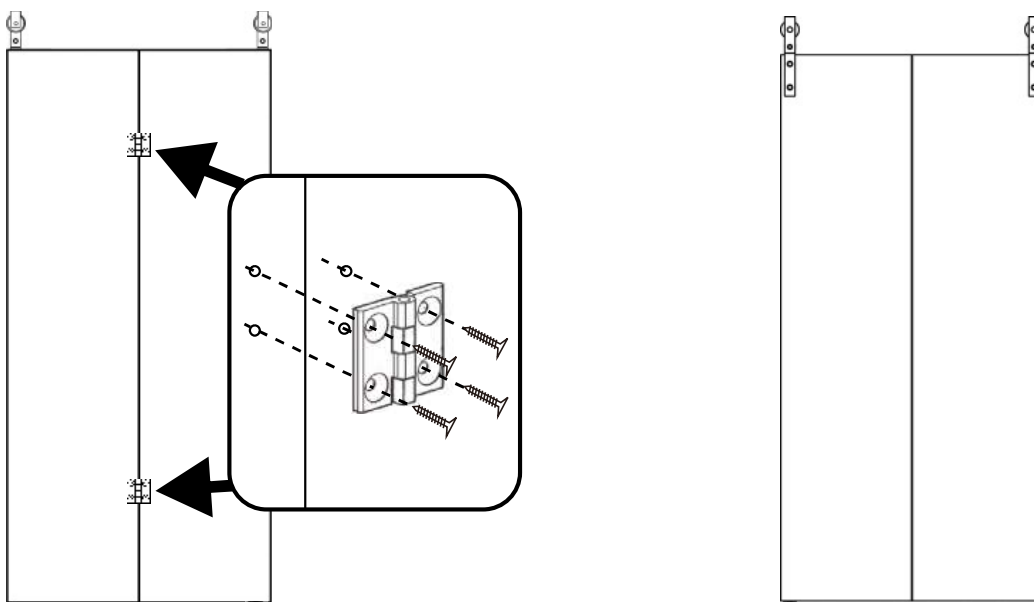
02 Install The Track (Concrete wall installation)

Install the anchor to holes on the concrete wall first, then install lag bolt to anchor.



03 Installing Bi-fold butt hinges on the back for the doors

- Lay the doors to be joined together face down on a flat surface.
- Butt the doors together with a $1/16$ " (1mm) gap in between (approximate thickness of 3-4 business cards).
- Space the hinges approximately 10"-12" (254-304mm) down from the top and up from the bottom of the doors.
- Align the hinge knuckle parallel and directly over the joint between the two doors. Using M5 screws.
- Secure the hinges to the door with the supplied flathead screws



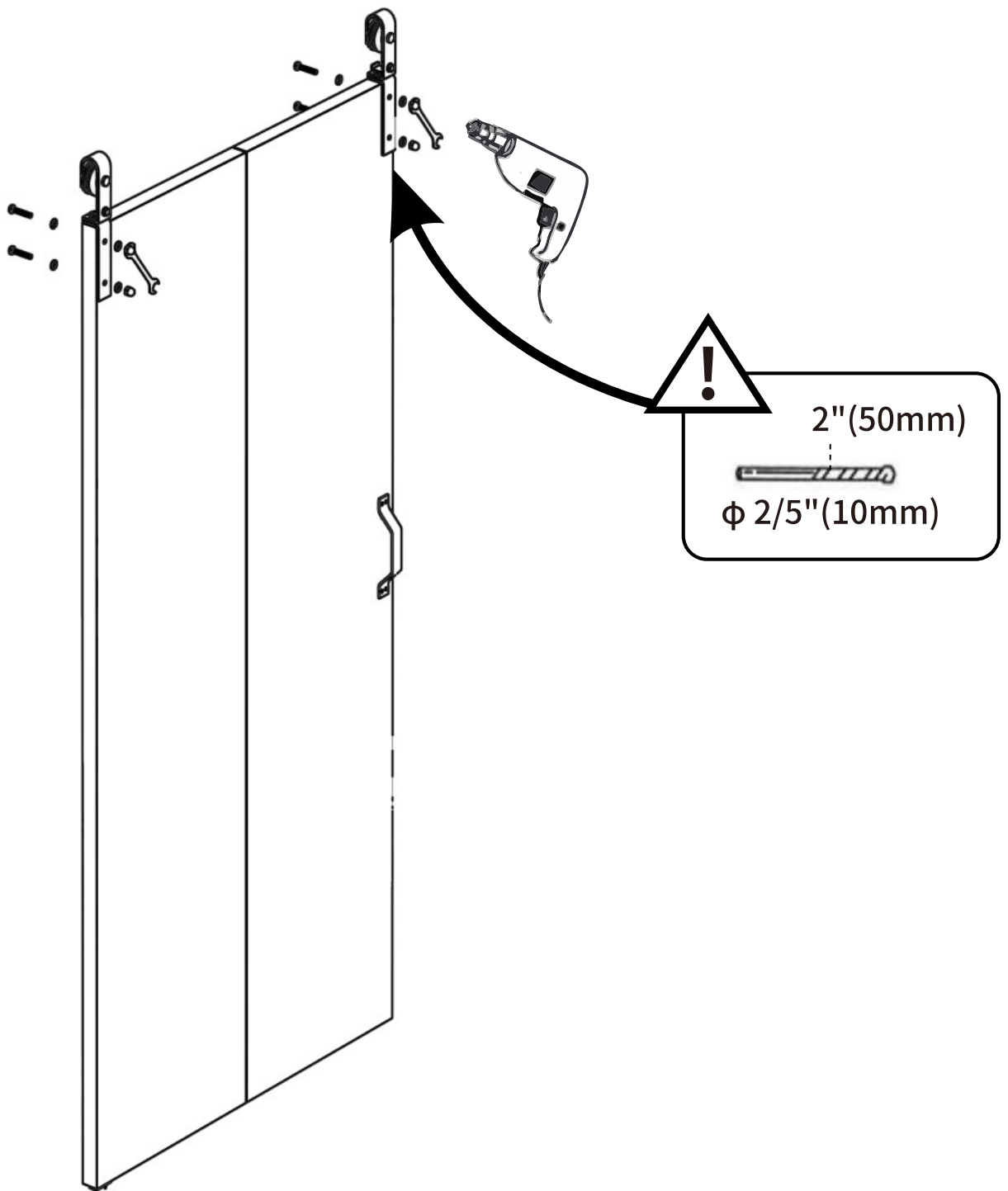
Prepare Your Doors

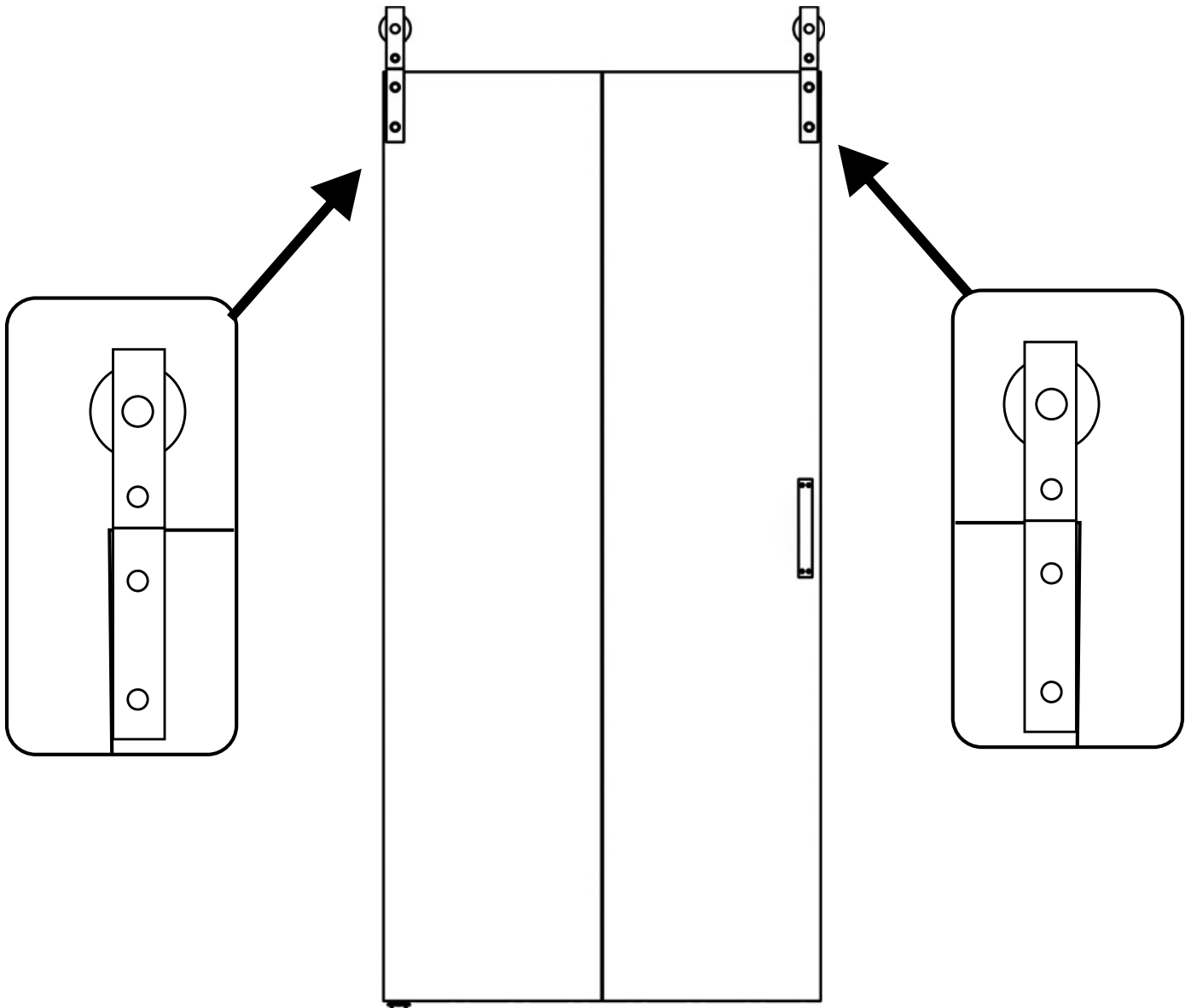
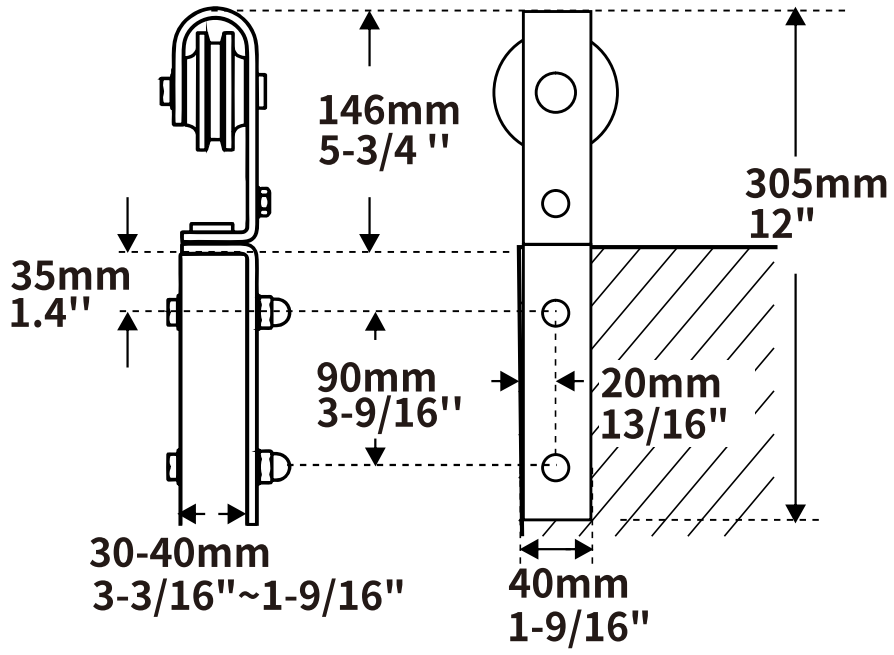
04 Attach steel Hangers to Your Doors

a. Install the hangers onto the door according to the measurement in the pictures below. Maximum door thickness is 1-3 / 4 " (45mm) , please add some bolt washers or cut the long door bolts to a suitable length to fit the door .

Note :

Make sure the hangers with screw holes are installed in accordance with the position shown in picture





05A

Single Door Hanging and Positioning Doors (Fold to the left side)

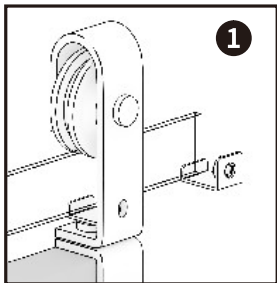
a. Fold to the left side, the bottom pivot and bracket is on the left side .
Drill the holes for handle on the right side .Picture for your reference.

For a single door, both rollers should be installed at the edge of the door.

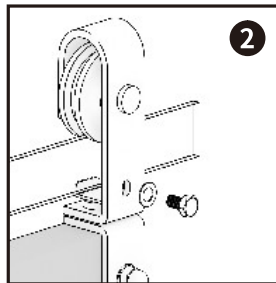
Note :

For your safety, please do as the following, this is to secure the door from falling.

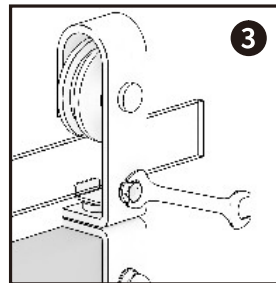
Before hanging the door on the rack: For the fixed doorside, position the “U” shaped screw between the wheel bar and the rack.
For the other side, position the “L” shaped screw between the wheel bar and the rack.
Then tight the sides up with provided screws.



1

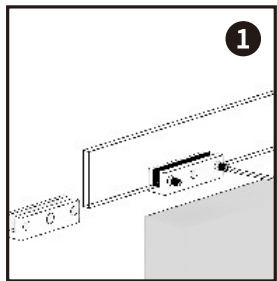


2

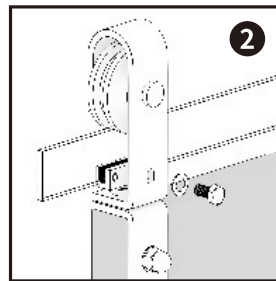


3

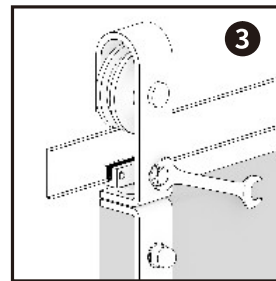
“L” shaped screw



1

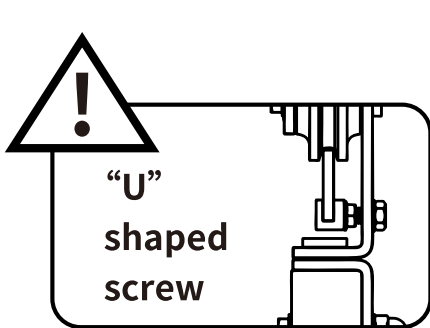
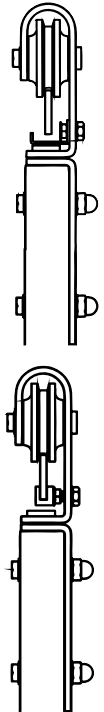


2

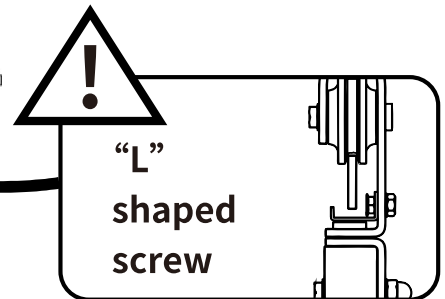


3

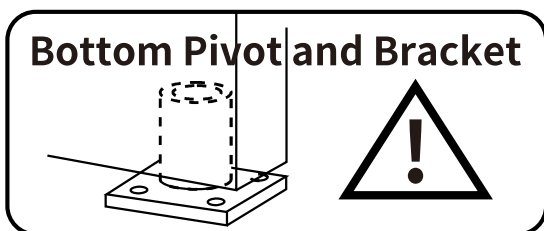
“U” shaped screw



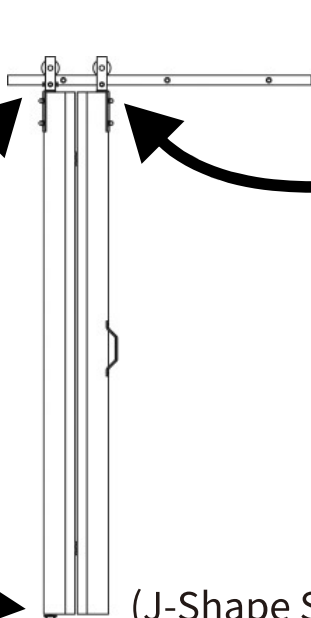
“U”
shaped
screw



“L”
shaped
screw



Bottom Pivot and Bracket



(J-Shape Single Door)

05B Single Door Hanging and Positioning Doors (Fold to the right side)

b. Fold to the right side, the bottom pivot and bracket is on the right side .
Drill the holes for handle on the left side .Picture for your reference.

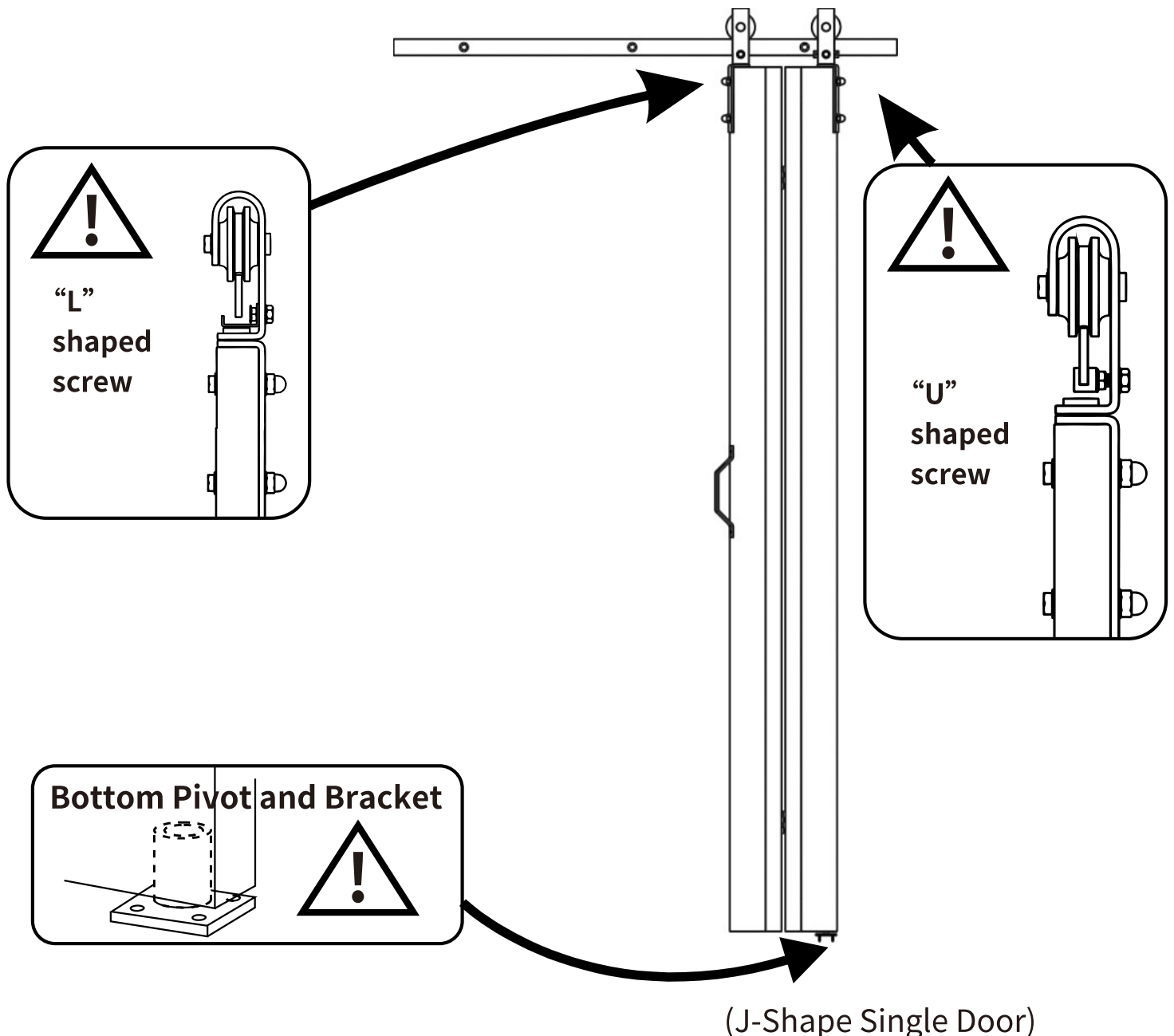
For a single door, both rollers should be installed at the edge of the door.

Note :

For your safety, please do as the following, this is to secure the door from falling.

Before hanging the door on the rack: For the fixed doorside,
position the “U” shaped screw between the wheel bar and the rack.

For the other side, position the “L” shaped screw between the wheel bar and the rack.
Then tight the sides up with provided screws.

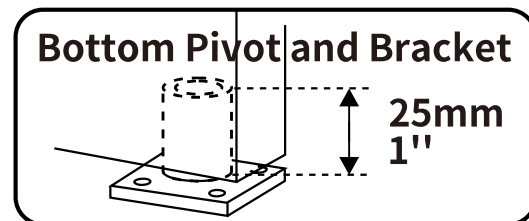
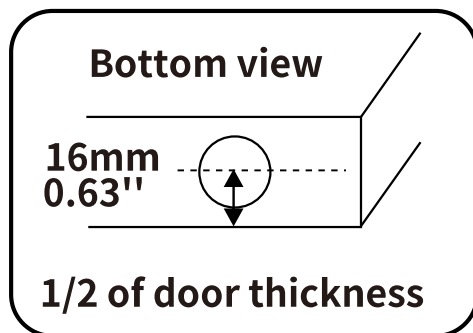
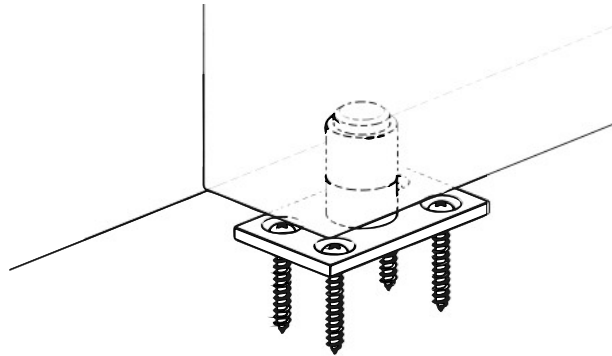
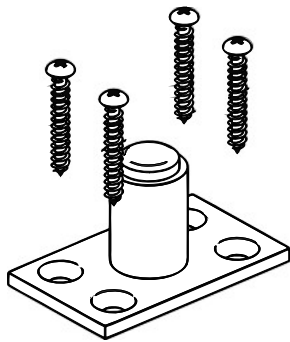


06 Install the Bracket

a. Mark the location of the holes at the bottom of the door with a pencil according to the dimensions indicated in the figure below.

Note :

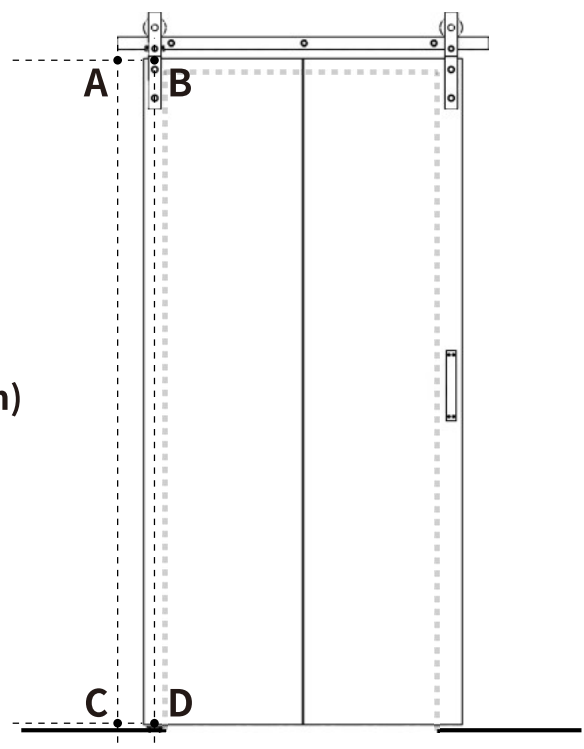
The Bottom Pivot and Bracket need to align with the center of the top connector plate used with the fixed roller.



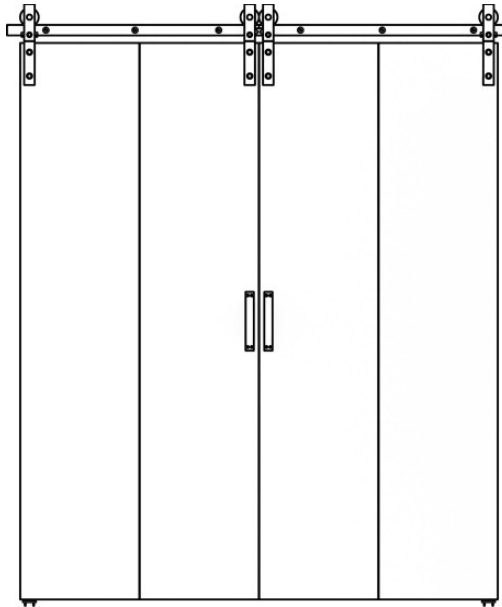
Recommendation data :

2 Bi-fold door : $A-B = C-D =$

$(\text{Track length} - \text{door width}) / 2 + 13/16 (20\text{mm})$



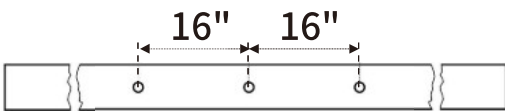
(J shape double door)



Product Content

Double door hardware kit includes

Part Name	Picture	4.3FT	5.4FT	6FT	6.6FT	8FT	8.6FT
Steel Hanger		2	2	2	2	2	2
Adjustable Spacer		3	4	6	6	6	6
Flat Track		1	1	2	2	2	2
Door Hinge		4	4	4	4	4	4
Bottom Pivot and Bracket		2	2	2	2	2	2
Handle		2	2	2	2	2	2
Junction Plate		/	/	1	1	1	1



*All sizes of track holes have a pitch of 16 "

Tools Needed

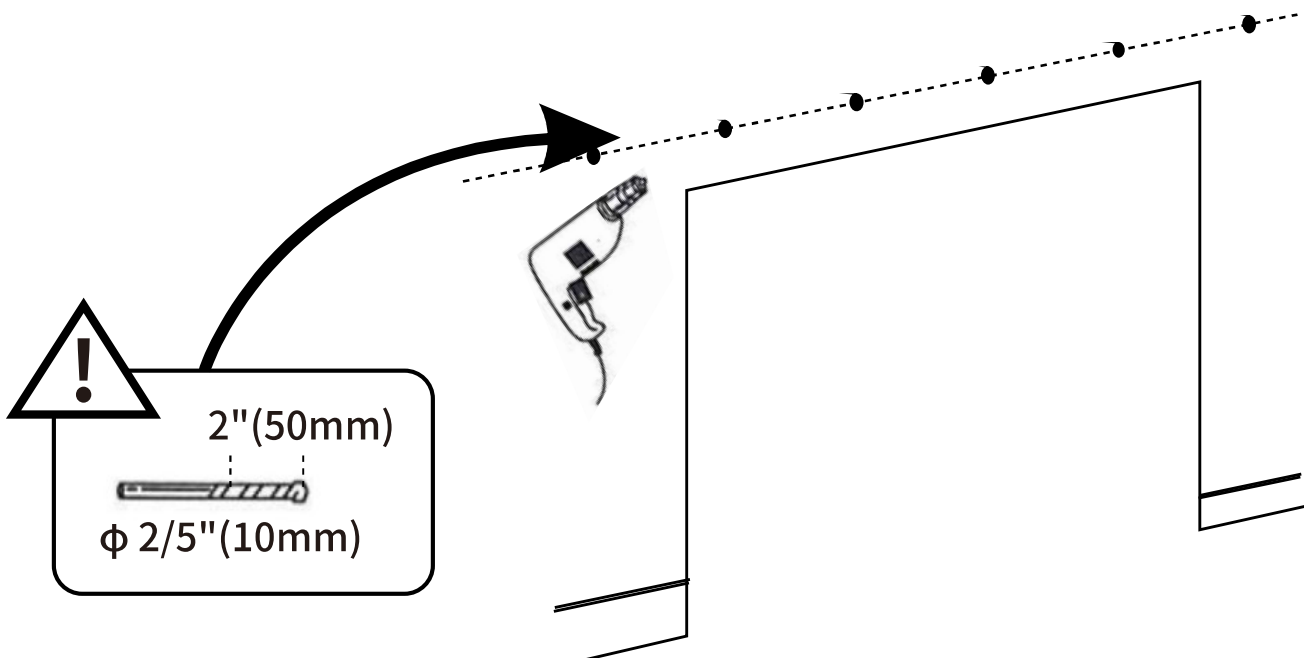
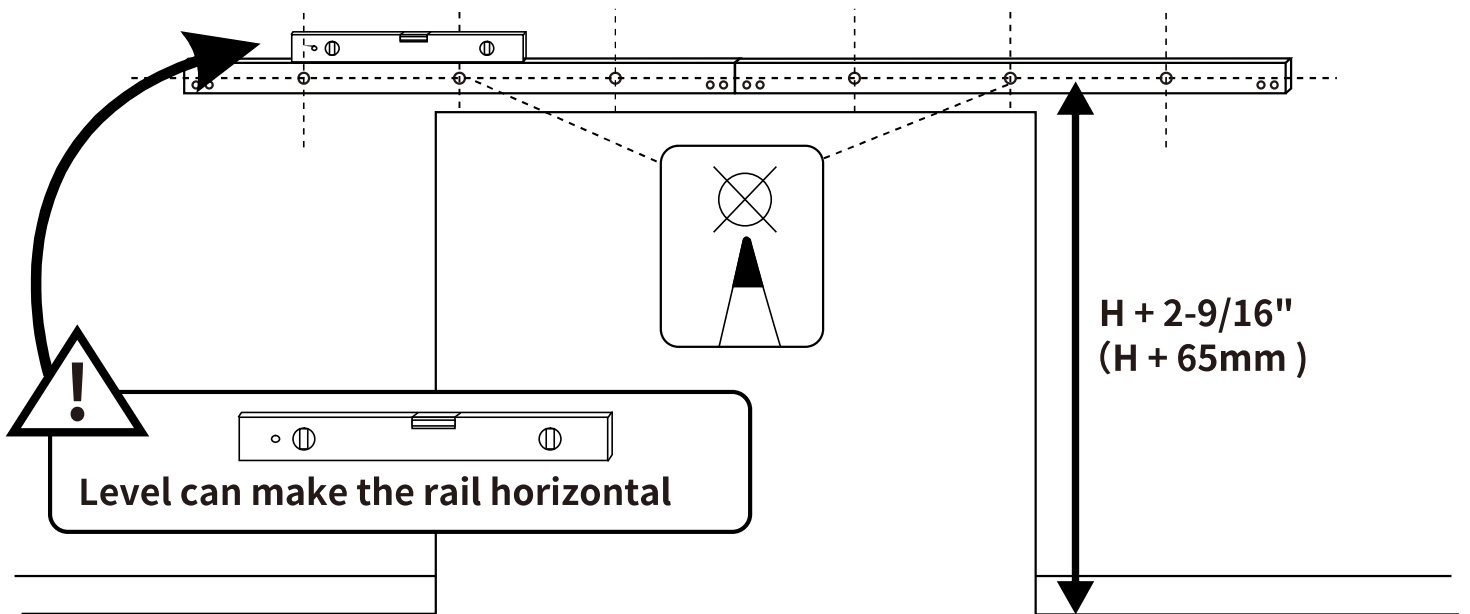
Pencil		Wrench		Tape measure	
Wrench		Phillips Screwdriver		Plumb Bob	
Drill		Drill Bit			

Double door hardware kit

01 Draw Line for the Track, Drill Track Holes

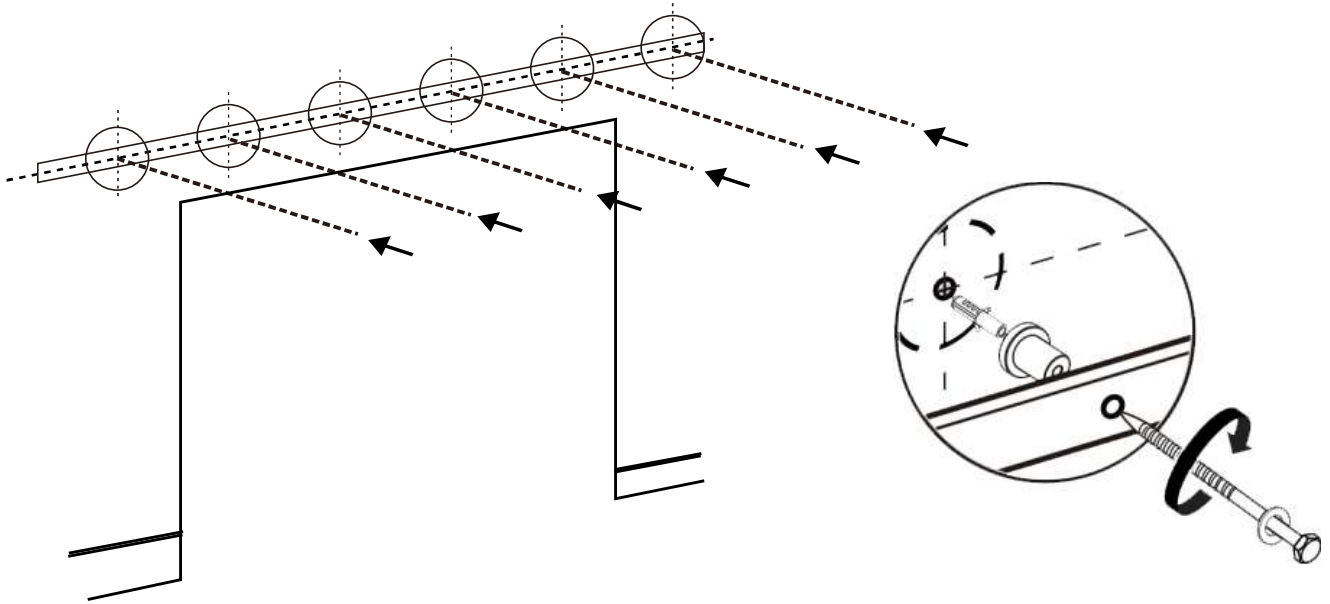
a. Place the rail against the wall, Using a level, draw a line for the Track, and use a pencil to mark where the holes should be. Make sure the height of holes on the wall is $H + 2\frac{9}{16}"$ ($H + 65\text{mm}$)

Note :
Concrete wall: Drill holes by using a $\frac{2}{5}"$ (10mm) concrete drill bit .
Wood framed wall: Drill out the holes by using a drill with $\frac{1}{4}"$ (6mm) drill bit .



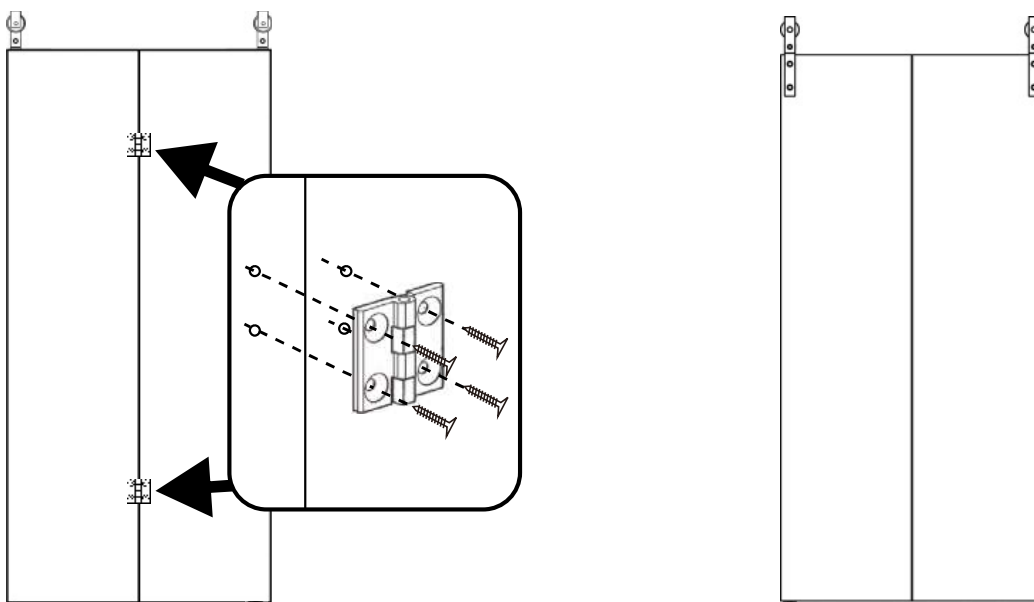
02 Install The Track (Concrete wall installation)

Install the anchor to holes on the concrete wall first, then install lag bolt to anchor.



03 Installing Bi-fold butt hinges on the back for the doors

- Lay the doors to be joined together face down on a flat surface.
- Butt the doors together with a $1/16$ " (1mm) gap in between (approximate thickness of 3-4 business cards).
- Space the hinges approximately 10"-12" (254-304mm) down from the top and up from the bottom of the doors.
- Align the hinge knuckle parallel and directly over the joint between the two doors. Using M5 screws.
- Secure the hinges to the door with the supplied flathead screws



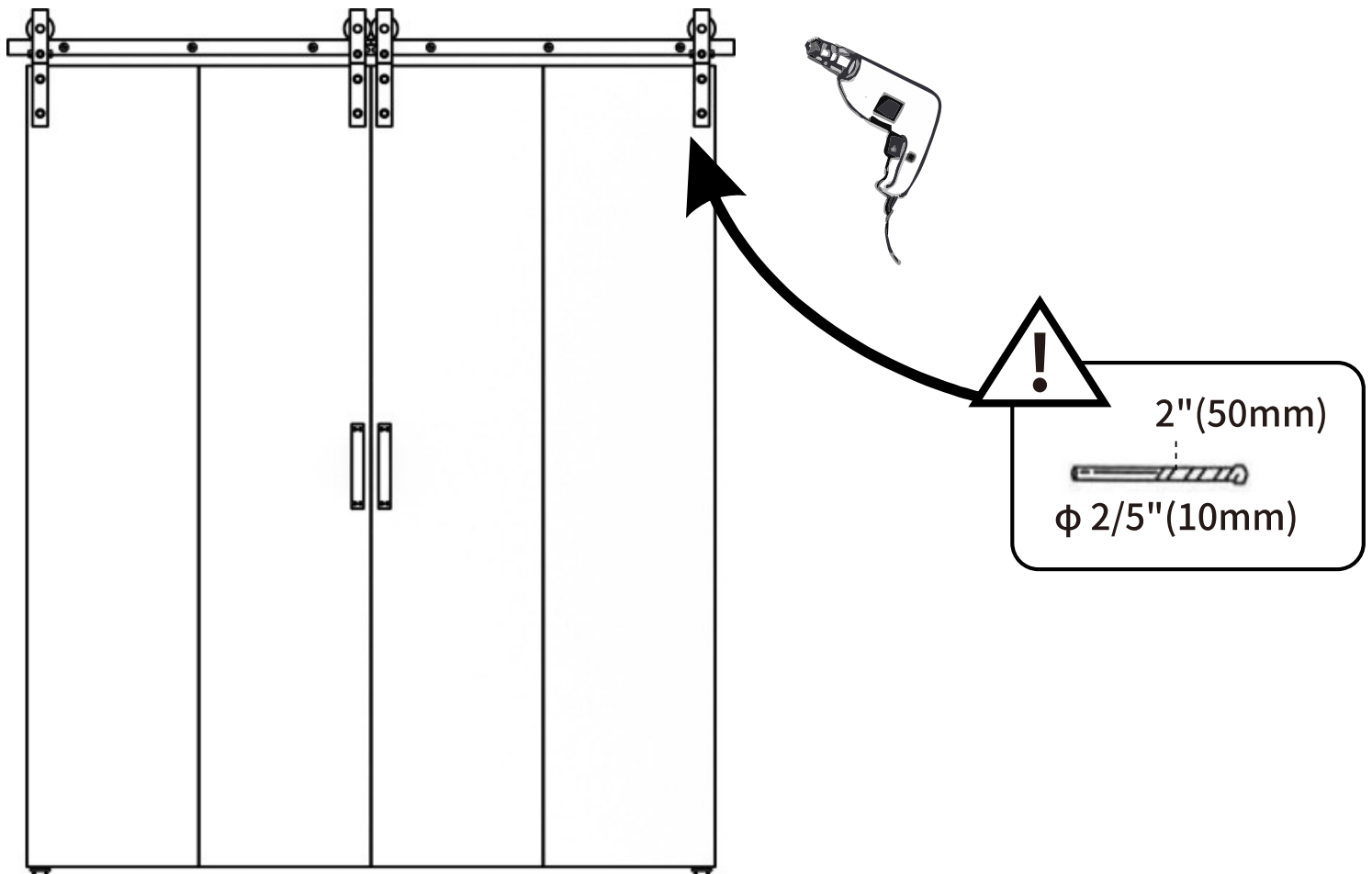
Prepare Your Doors

04 Attach steel Hangers to Your Doors

a. Install the hangers onto the door according to the measurement in the pictures below. Maximum door thickness is 1-3 / 4 " (45mm) , please add some bolt washers or cut the long door bolts to a suitable length to fit the door .

Note :

Make sure the hangers with screw holes are installed in accordance with the position shown in picture



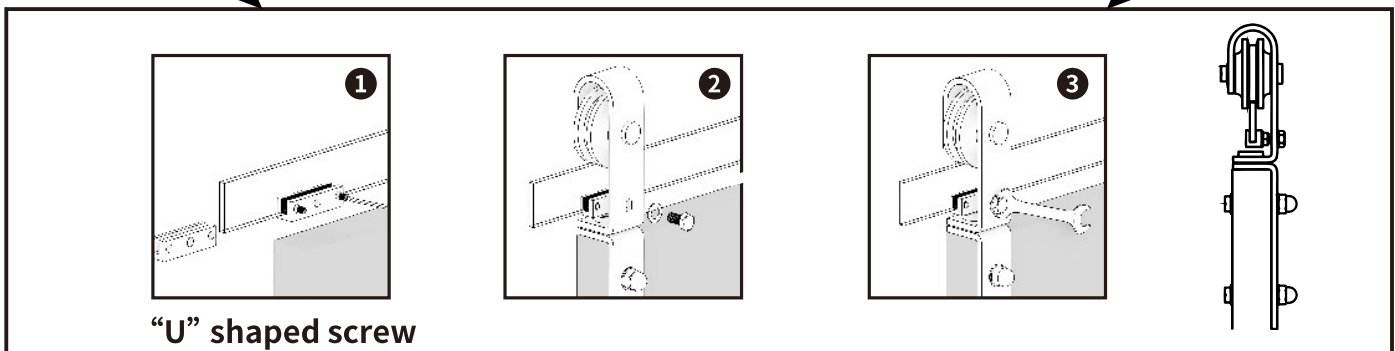
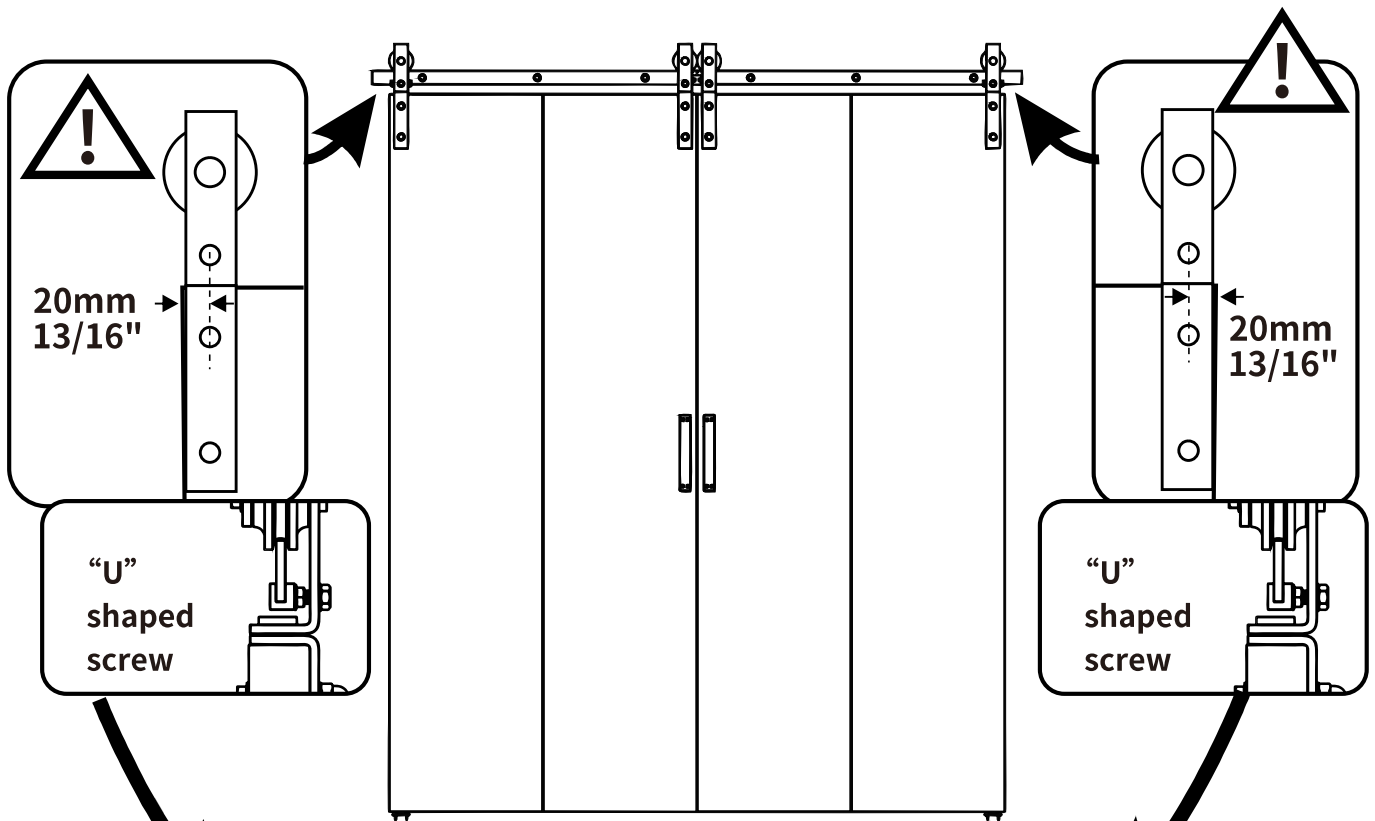
05 Double Door Hanging and Positioning Doors (For a double door)

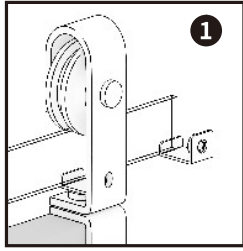
Note :
For your safety, please do as the following, this is to secure the door from falling.

For a double door, the hangers on each door side out should be placed on the edge of the side.

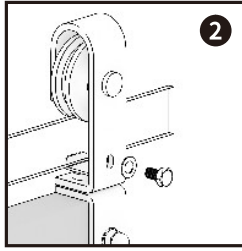
For each side in, the hangers should be placed 1.38" to make sure the doors are fully closed when sliding. Don't forget to mount the junction plate .

Before hanging the door on the rack: For the fixed doorside, position the "U" shaped screw between the wheel bar and the rack. For the other side, position the "L" shaped screw between the wheel bar and the rack. Then tight the sides up with provided screws.

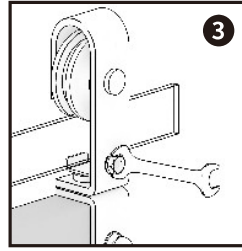




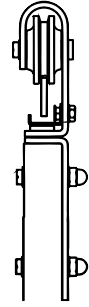
1



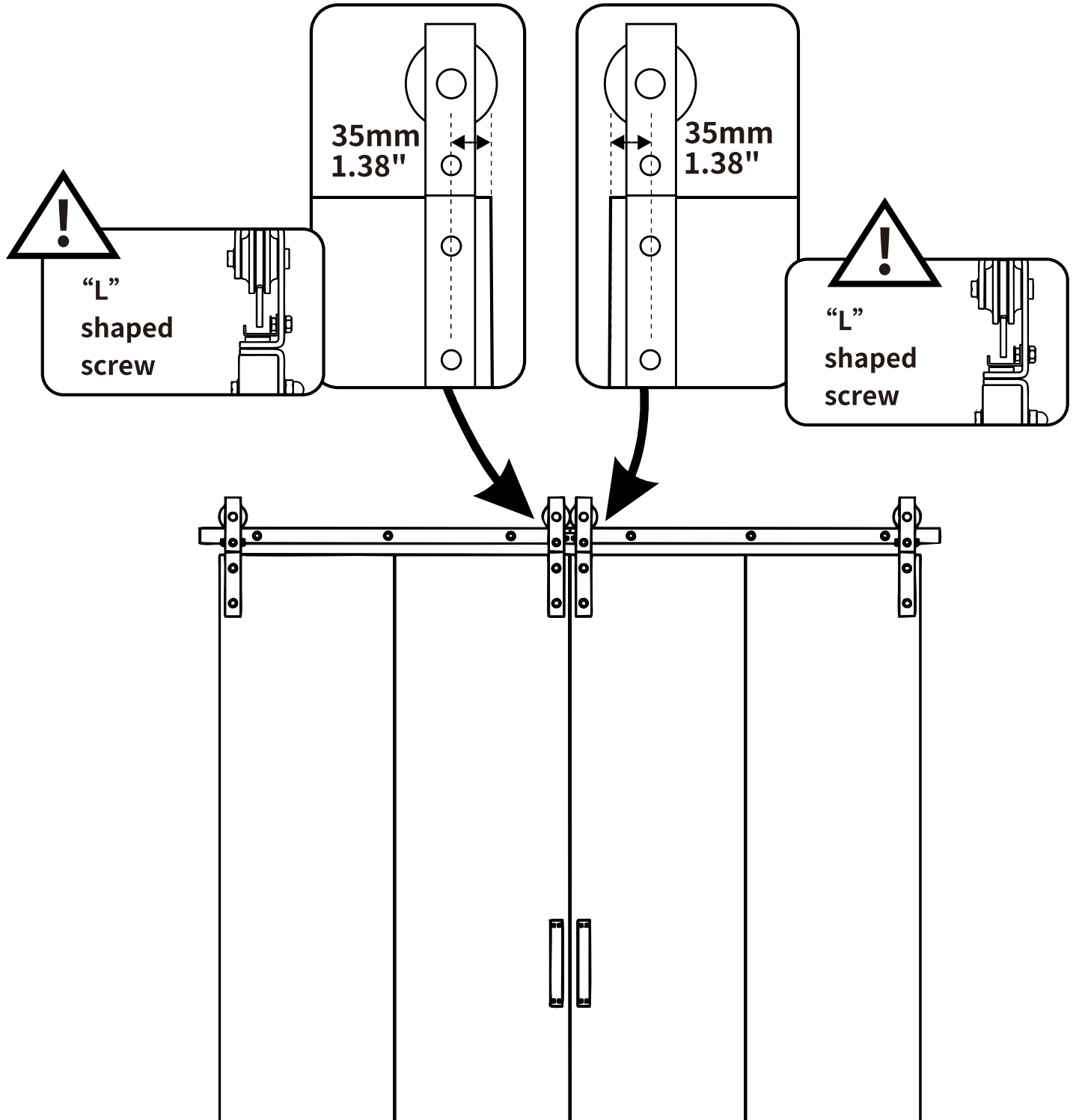
2

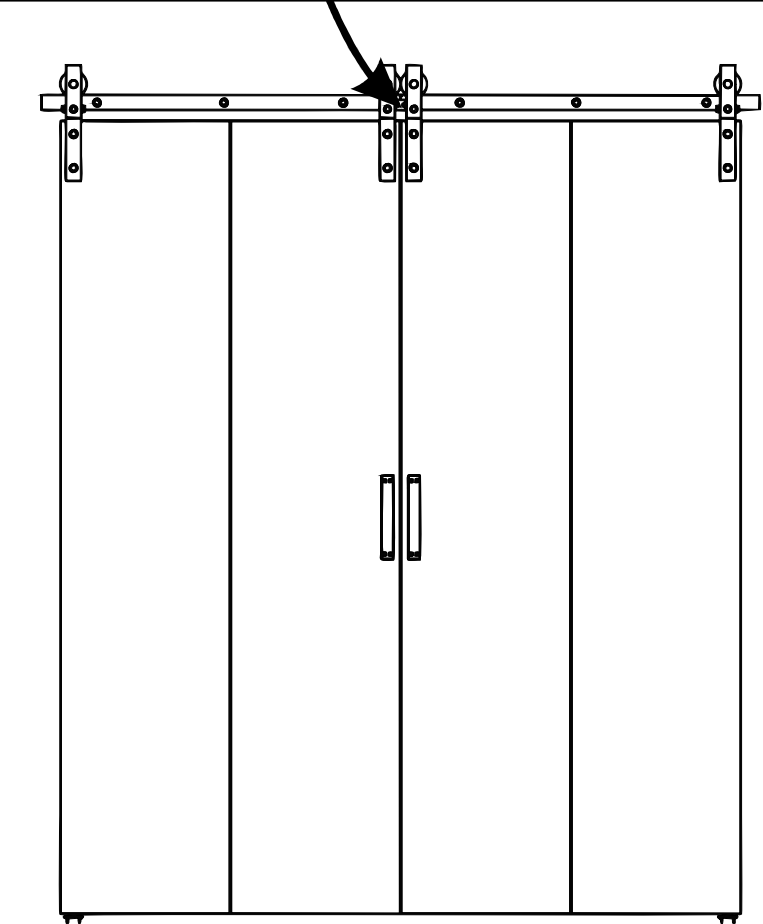
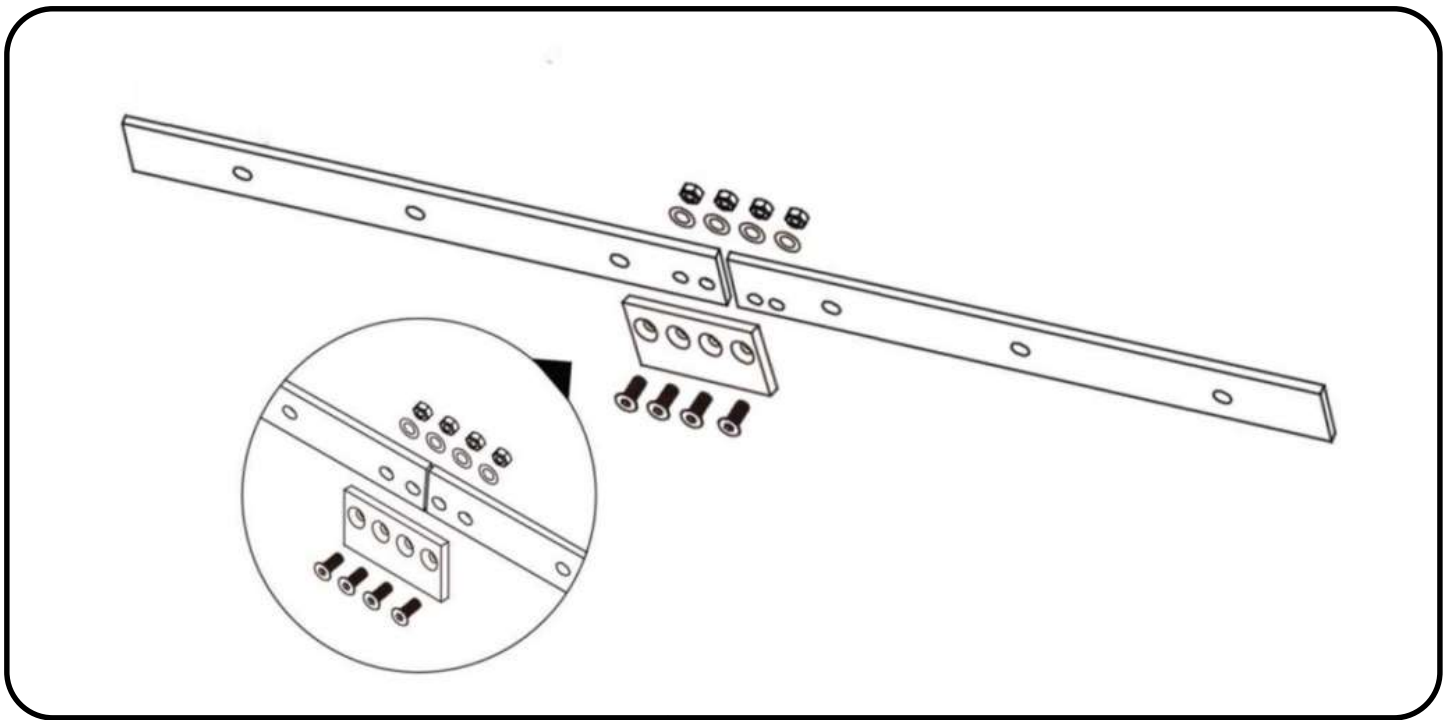


3

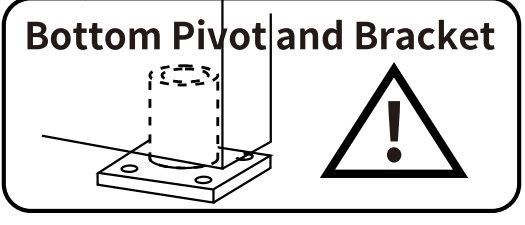
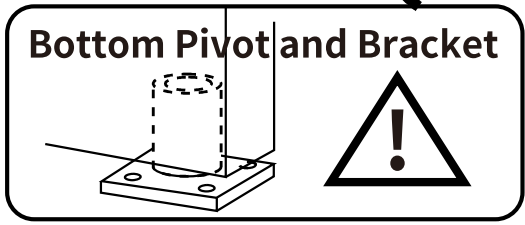


“L” shaped screw





(J shape double door)

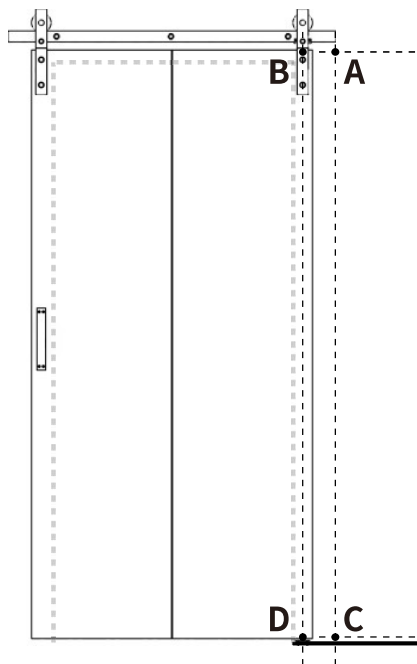
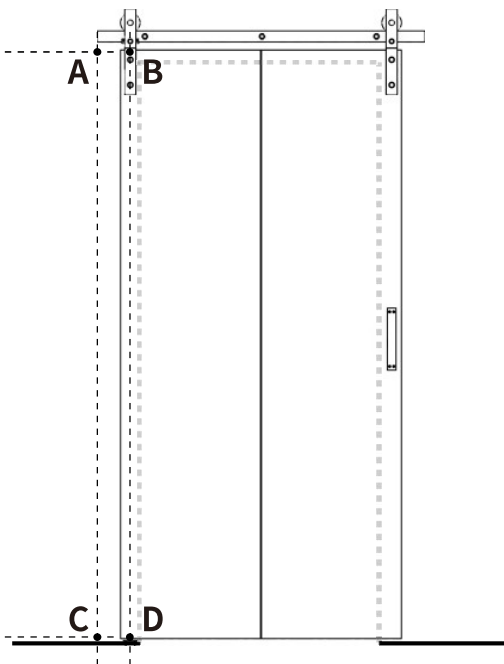
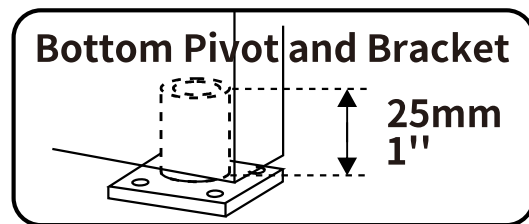
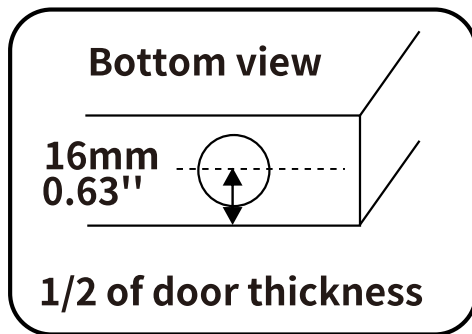
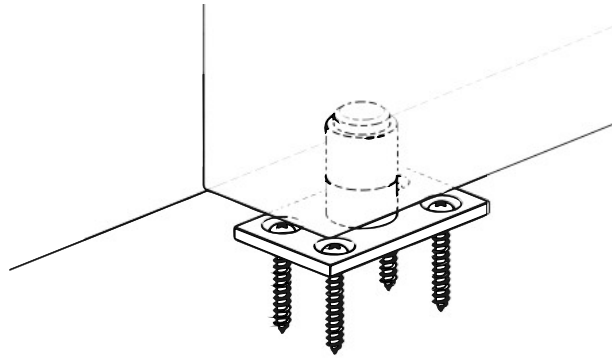
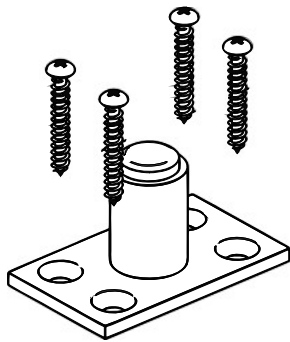


06 Install the Bracket

a. Mark the location of the holes at the bottom of the door with a pencil according to the dimensions indicated in the figure below.

Note :

The Bottom Pivot and Bracket need to align with the center of the top connector plate used with the fixed roller.



Recommendation data :

2 Bi-fold door :A-B = C-D =

$(\text{Track length} - \text{door width}) / 2 + 13/16 (20\text{mm})$

WARNING

- Failure to wear proper safety gear (i . e , eye protection) may result in serious injury or death . Always wear proper safety gear before using power tools .
- Improper operation of power tools may result in loss of control, serious injury or death . Always ensure you have complete control of the power tool and the work area is free of hazards before operating a power tool .
- Lack of secure clamping of the door may result in unexpected movement of the door , loss of power tool control and serious injury or death . Always securely clamp the door in place before cutting or drilling the door .
- Lack of or improperly installed anti-jump pads may result in the door coming off the track and cause serious injury or death . Installation of anti-jump pads are required for safe operation of this hardware . Installed properly , these anti-jump pads will keep the door securely attached to the track.

CAUTION

- Mishandling of heavy objects (i.e., doors) may cause a loss of balance and serious injury . Always be sure you have a secure hold on the object and are balanced before moving the object . Always wear safety shoes when lifting heavy objects.
- Getting body parts (i. e., hair , fingers) caught in moving parts may cause pinching and serious injury . Do not put fingers in parts that may move and always remove or contain anything on your body that may become entangled with a moving part .
- Closing sliding doors with your hand on the end of the door may result in your hand , or fingers , getting caught between the door and other solid objects (i . e., another door , molding) causing serious injury . Always use the door handle to close doors.

Usage Statement :

Use of excessive force when opening , and closing , the door (s) may result in damage to the hardware

Always hold the handle and gently open and close the door (s)