

# *ASSEMBLY INSTRUCTIONS*



***Glider Recliner***

---

# ASSEMBLY INSTRUCTIONS

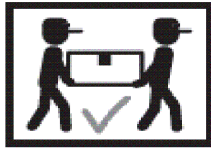
## ASSEMBLY TIPS:

- 1.Remove hardware from box and sort by size.
- 2.Please check to see that all hardware and parts are present prior to start of assembly.
- 3.Please follow attached instructions in the same sequence as numbered to assure fast & easy assembly.

## WARNING



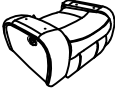



- 1.Don't attempt to repair or modify parts that are broken or defective. Please contact the store immediately.
- 2.This product is for home use only and not intended for commercial establishments.




ASSEMBLY TIME

5 MINUTES

## PARTS IDENTIFICATION

A	SEAT		1PC
B	BACK		1PC
C	LEFT ARM		1PC
D	RIGHT ARM		1PC

## HARDWARE IDENTIFICATION

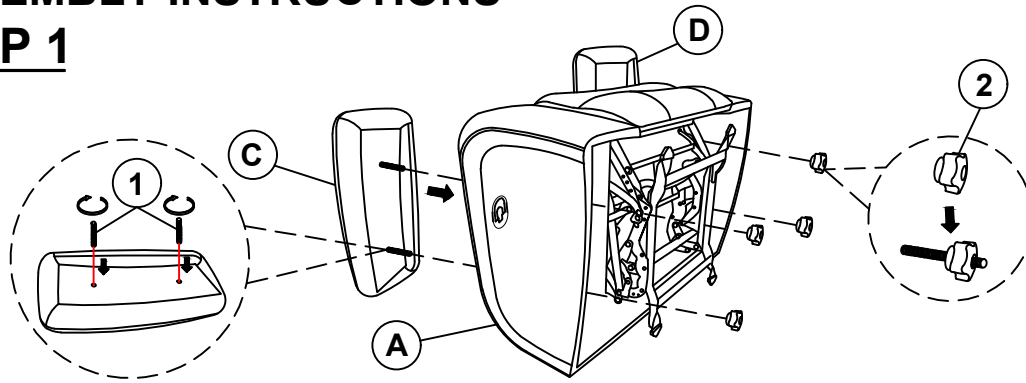
1	THREADED BOLT (Φ5/16")		4PCS
2	NUT (Φ5/16**90L)		4PCS

## NOTE:

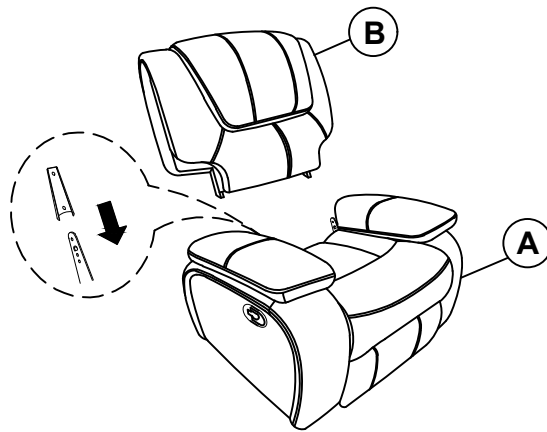
Phillips head screw driver is required in the assembly process ; however, manufacturer does not provide this item.

# ASSEMBLY INSTRUCTIONS

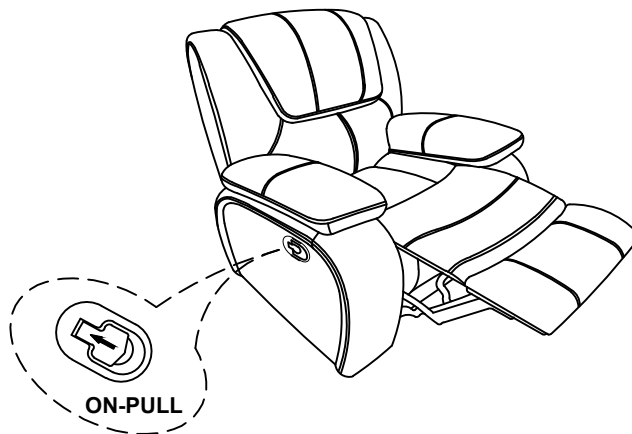
## STEP 1



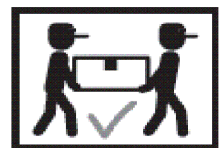
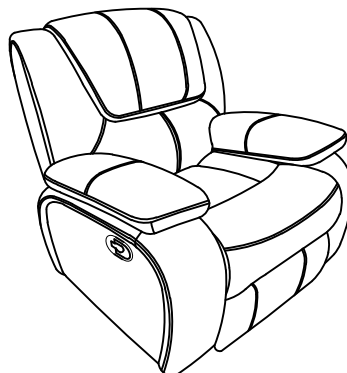
## STEP 2

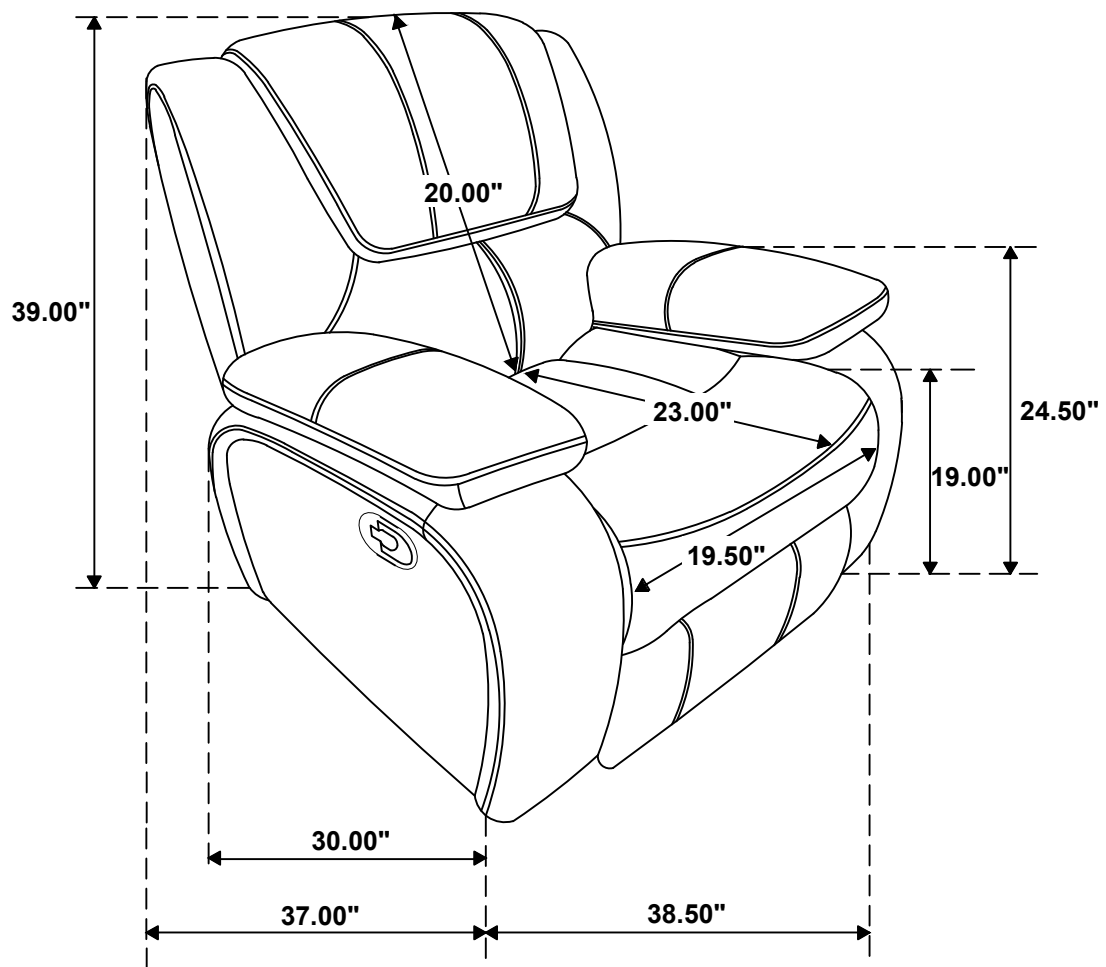


## STEP 3



## STEP 4 **COMPLETE**





**Note: Dimension tolerance  $\pm 5\%$**