

# ASSEMBLY INSTRUCTIONS

## TOOLS REQUIRED:

Allen Key (supplied, part # G)

## BEFORE YOU START:

1. Check the parts against the parts list to make sure all items are present.
2. Assemble your furniture on a soft, flat surface to avoid scratching the finish.
3. **CAUTION:** Do not over tighten screws, nuts or bolts during assembly.
4. Your furniture may require occasional tightening.

## INSTRUCTIONS:

1. Attach Legs to Table Top, Do not completely tighten the bolts yet. (See Figure 1).
2. Attach Lower Shelf to Frame created step 1. Tighten all bolts. (See Figure 2).
3. Level the table by adjusting the leveler. (See figure 3).

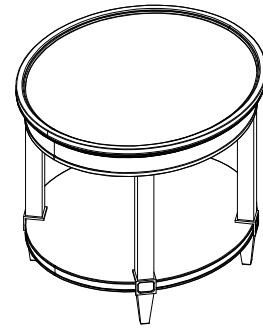


Figure 1

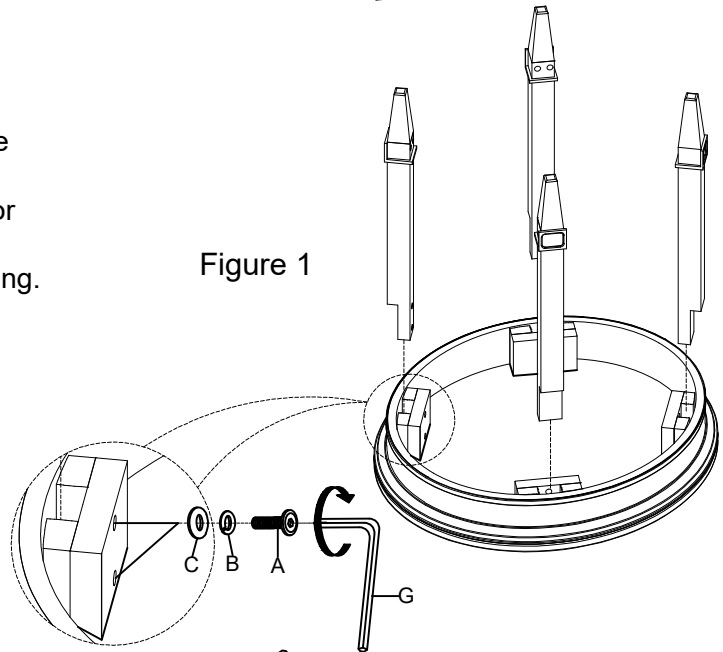


Figure 2

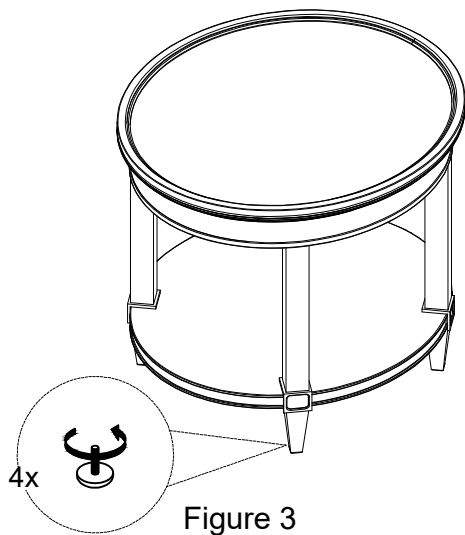









Figure 3

| NO. | HARDWARE LIST   |                              |   |
|-----|---|------------------------------|---|
| A   |  | Allen Head Bolt Ø5/16x1-1/2" | 8 |
| B   |  | Lock Washer Ø5/16"           | 8 |
| C   |  | Flat Washer Ø5/16"           | 8 |
| D   |  | Allen Head Bolt Ø1/4x1-1/2"  | 8 |
| E   |  | Lock Washer Ø1/4"            | 8 |
| F   |  | Flat Washer Ø1/4"            | 8 |
| G   |  | Allen Key 4mm                | 1 |