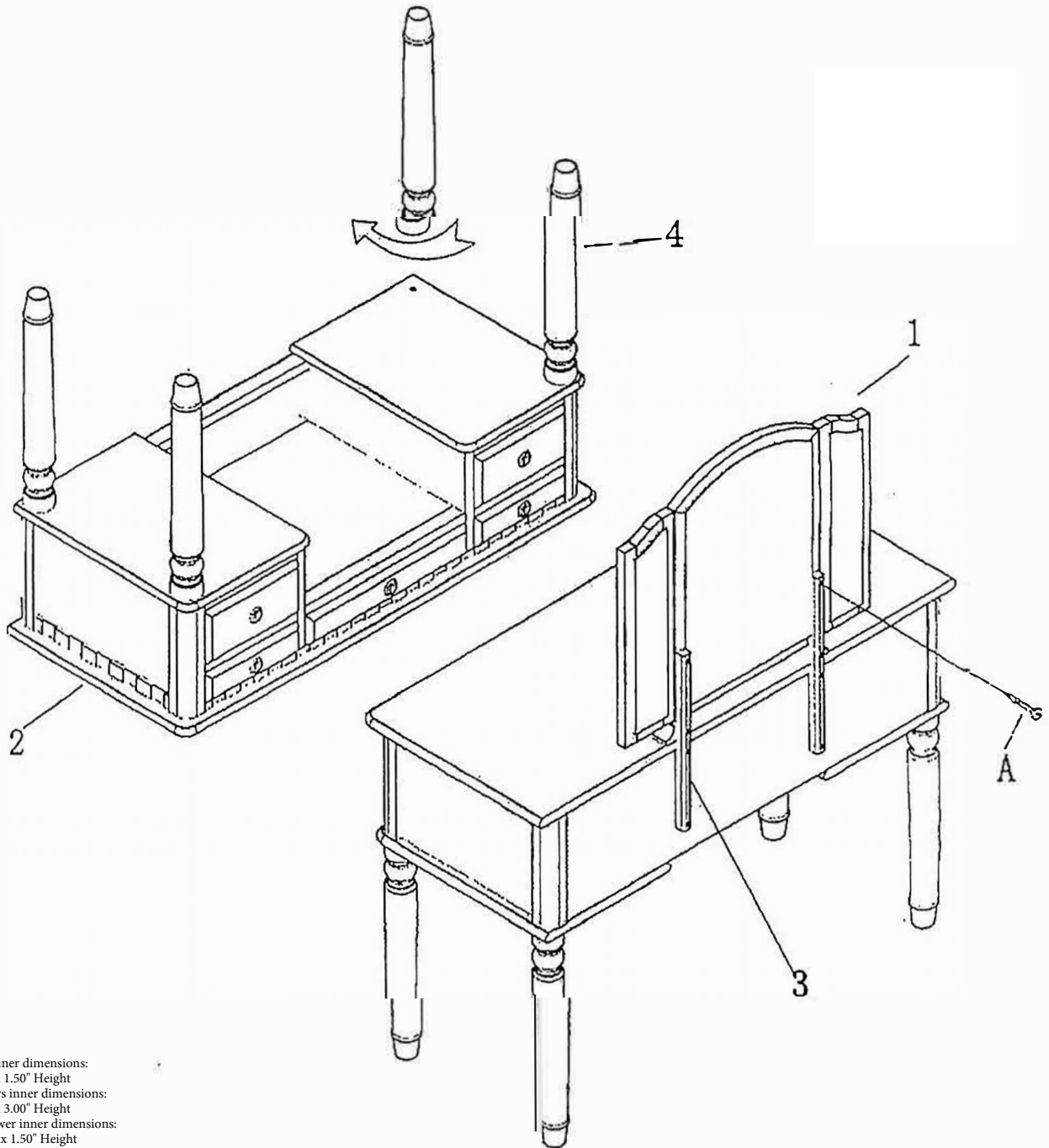
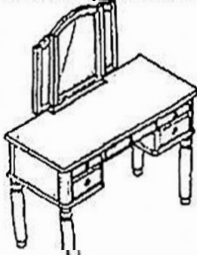

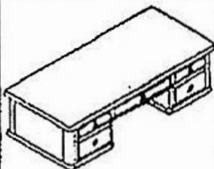





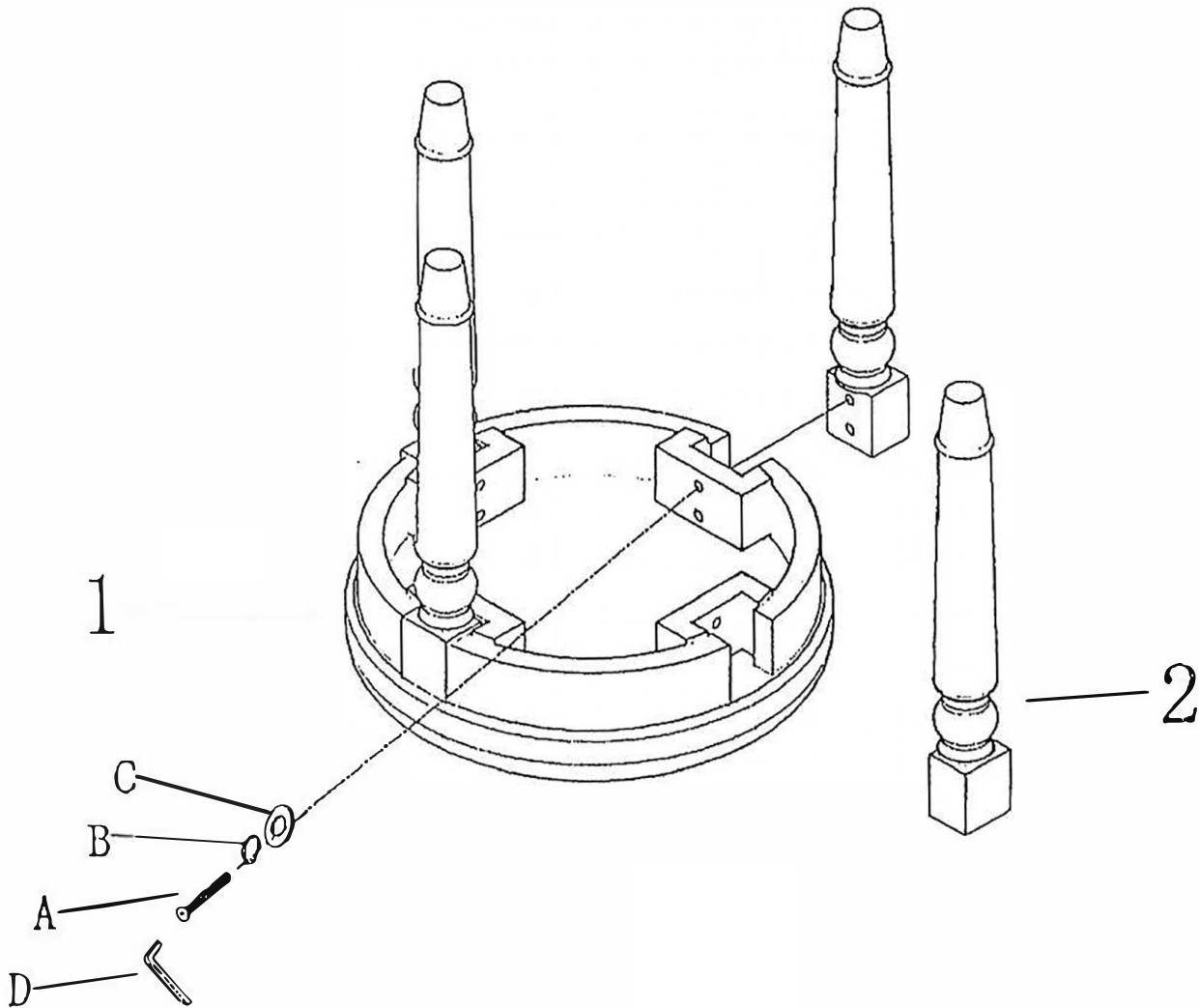
# ASSEMBLY INSTRUCTION

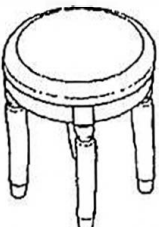
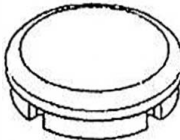



- 1) Top side drawers inner dimensions:  
7.00"W x 11.50"D x 1.50" Height
- 2) Bottom side drawers inner dimensions:  
7.00"W x 11.50"D x 3.00" Height
- 3) Center/Middle drawer inner dimensions:  
14.50"W x 11.50"D x 1.50" Height

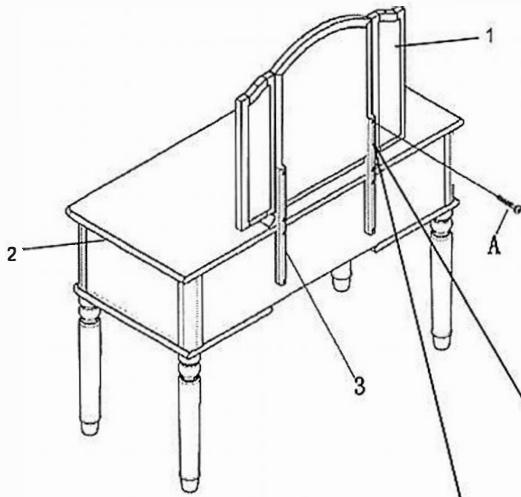
Assembly is completed	PART LIST				HARDWARE LIST		
	 (1SET) 1- MIRROR	 2- TOP (1PC)	 (2PCS) 3--BACK BAR	 4-LEG (4PCS)	NO A	DESCRIPTION SCREW 1-1/4"L 	QTY 8PCS

# ASSEMBLY INSTRUCTION



Assembly is completed	PART LIST		HARDWARE LIST		
	 1-TOP 1PC	 2-LEG 4PCS	NO A B C D	DESCRIPTION BOLT LOCK WASHER FLAT WASHER WRENCH	QTY 8PCS 8PCS 8PCS 1PC

# ADDITIONAL ASSEMBLY INSTRUCTION



Step 1:  
Mount the mirror support bars (3) onto the mirror (1).

Step 2:  
Center the mirror unit and then mount the mirror unit to the back of vanity desk (2).

