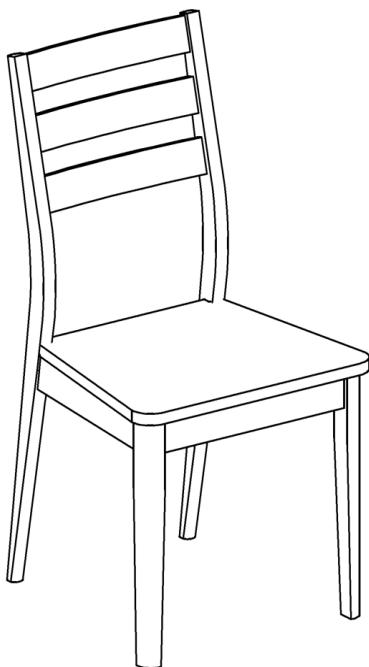


# LYNTON CHAIR

## ASSEMBLY GUIDE



**Important - Please read these instructions fully before starting assembly**



**SAFETY AND  
CARE ADVICE**



**NO POWER TOOLS**

**SAFETY AND CARE ADVICE**

- Check you have all the components and tools listed.
- Remove all fittings from the plastic bags and separate them into their groups.
- We do not recommend the use of power drills/drivers for inserting screws, as this could damage the unit. Only use hand screwdrivers and Allen keys.
- Keep children and animals away from the work area, small parts could cause choking if swallowed.
- Make sure you have enough space to layout the parts before starting.
- Assemble the item as close to its final position (in the same room) as possible.
- Do not overtighten the nuts to avoid causing damage to the threads.
- Only clean using a damp cloth and mild detergent, do not use bleach or abrasive cleaners.
- From time to time check that there are no loose screws on this unit
- This product should not be discarded with household waste. Take to your local authority waste disposal centre

## IMPORTANT INFORMATION



30 MINUTE  
BUILD





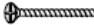


ONE  
PERSON



MAXIMUM  
CAPACITY  
120Kg

PLEASE CHECK CAREFULLY AND MAKE SURE YOU HAVE ALL FITTINGS AND TOOLS LISTED BELOW BEFORE YOU START.

LIST OF PARTS		
No	Description	Qty
1	Chair Back	2
2	Front Legs	2
3	Apron L	2
4	Apron R	2
5	Chair Seat	2

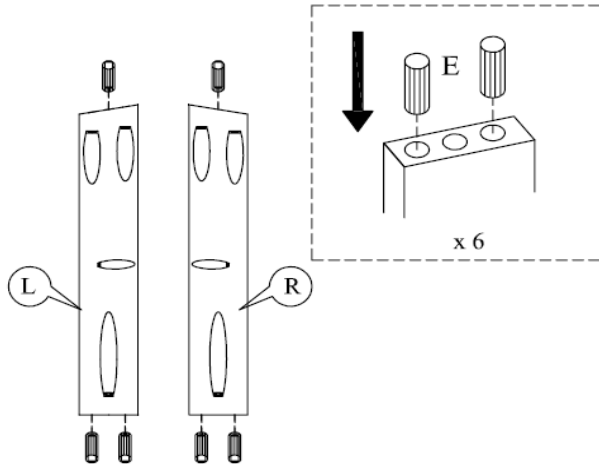
LIST OF PARTS			
No	Description		Qty
A	JCBC		12
B	Spring washer		12
C	Wood Screw		6
D	Allen Key		1
E	Wood Dowel		12

**NOTE:** The quantities above are the correct amount to complete the assembly for 2x chairs. In some cases more fittings may be supplied than are required.

## STEP 1

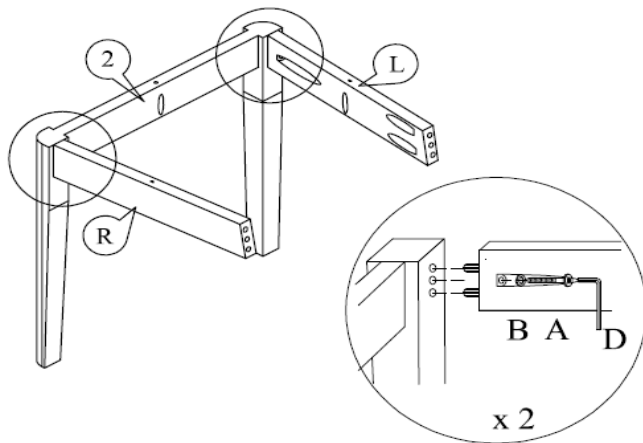
Use a clean, flat, soft surface to avoid any bumps or scratches.

First, add 6x wooden dowels [E] to left and right seat 'aprons' [3 and 4] - make sure you add the dowels as shown in illustration.



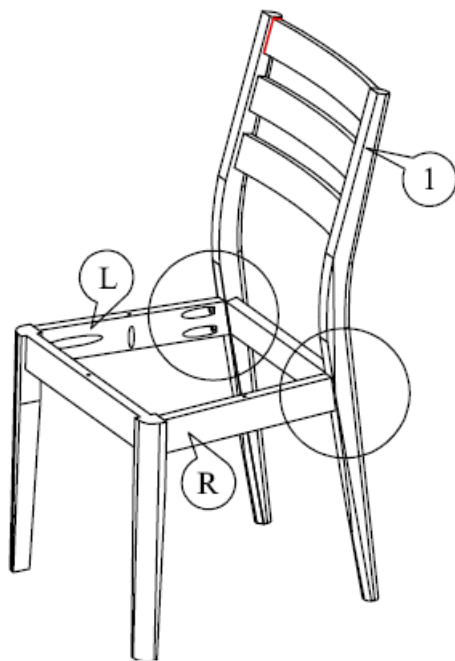
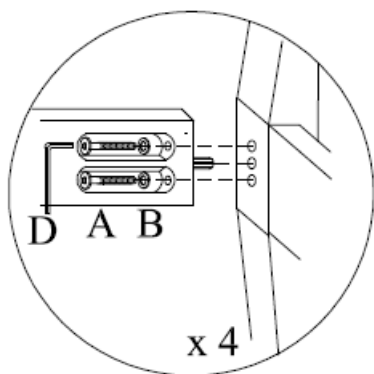
## STEP 2

Attach the left and right seat 'aprons' [3 and 4] to the front legs [2]. Secure using 1x spring washer [B] + 1x bolt [A] and tighten with Allen key [D] - but avoid over-tightening.



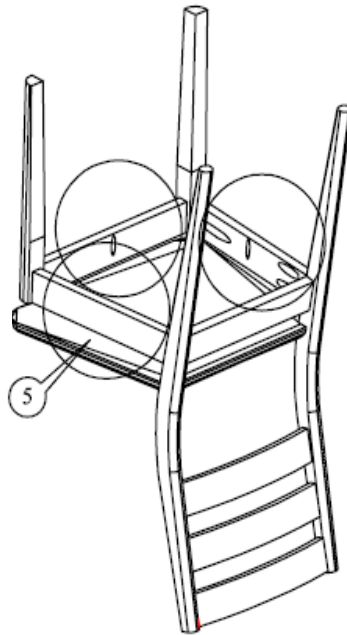
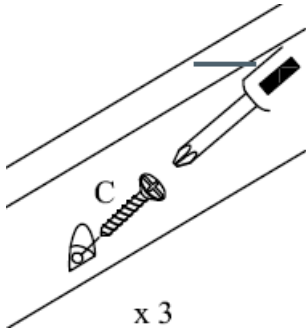
### STEP 3

Attach the chair back [1] to the rest of the frame. Secure using 2x spring washers [B] + 2x bolts [A] on each side - 4 in total. Tighten with Allen key [D] but avoid over-tightening.



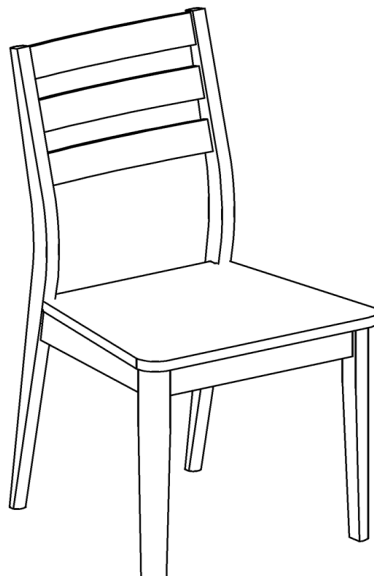
## STEP 4

Attach the chair seat [5]  
- use 3x wood screws [C]  
as shown.



## STEP 5

Turn chair over so it  
rests on its legs. Check  
stability. Your chair is  
now ready to use!



# LOOKING GOOD!

Now you've assembled your product find out how to care for your item and keep it looking brand new.





## OUR 2 YEAR\* GUARANTEE

our products come with a 2 year guarantee to give you peace of mind shopping at Furniturebox

\*excludes some garden furniture items which have a 1 year guarantee



## WHAT THE GUARANTEE COVERS

---



**PRE-INSERTED FIXINGS**  
e.g. lose metal threads



**FAULTY JOINTS**  
e.g. legs bending



**EXTERNAL FIXING FAULTS**  
e.g. bonding/glue



**STRUCTURAL INTEGRITY**  
e.g. the frame of the product

### **ACTIVATE YOUR GUARANTEE ONLINE**

---

scan this QR code with your phone to read the full guarantee online and register your product. It only takes a moment to fill out.