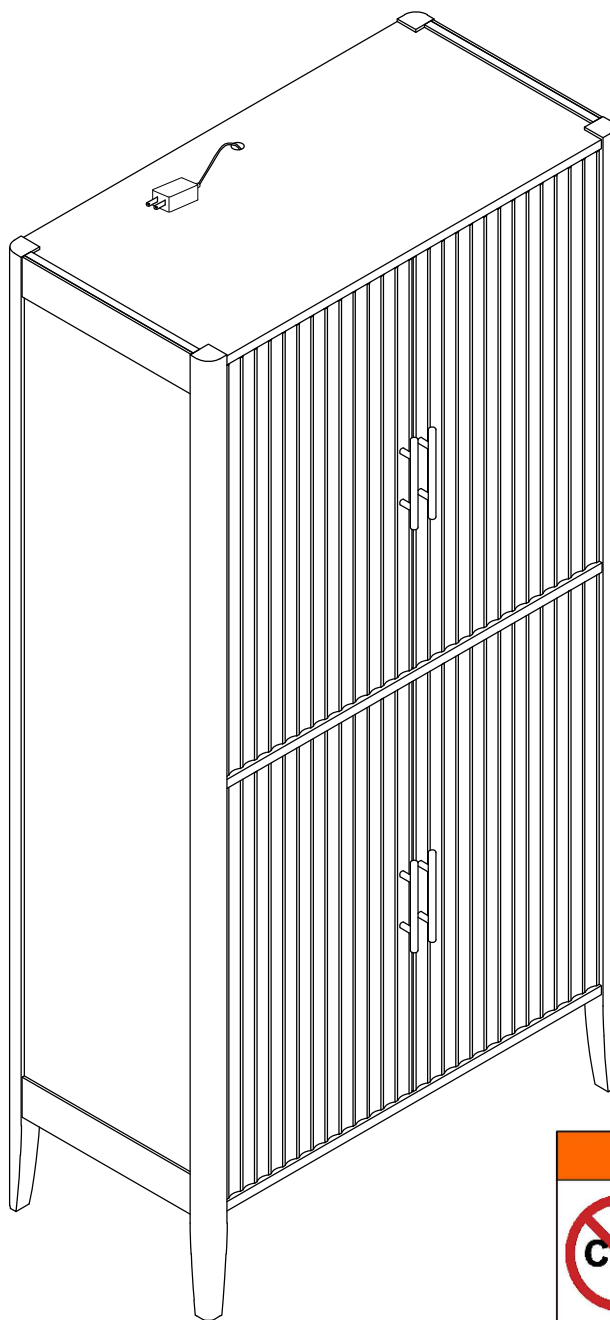


# ASSEMBLY INSTRUCTIONS

## CABINET



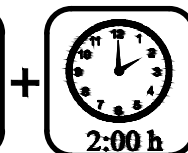
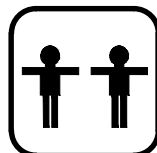
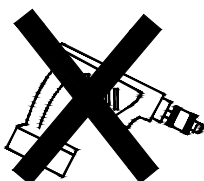
<b>WARNING</b>	
	<p>This product is <b>NOT</b> a Clothing Storage Unit (CSU). <b>DO NOT</b> use it for clothing storage. Improper use may cause furniture tipover.</p>

Thank you for purchasing this quality product. Be sure to check all packing material carefully for small parts which may have come loose inside the carton during shipment. Separate, identify and count all parts and hardware.

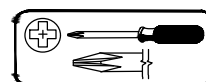
Compare with the parts list to be sure all parts are present.

**"DO NOT TIGHTEN SCREWS UNTIL COMPLETELY ASSEMBLED"**

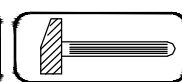
**\* Use of power tool to assemble this product will invalidate any claim and damage this product making unsafe!!!**  
**\* Please assemble on a clean soft surface to avoid damage.**



Tools Required



(Not Included)



(Not Included)

**IMPORTANT:**  
**PLEASE READ INSTRUCTION BEFORE STARTING THE ASSEMBLY**

# Before Installation

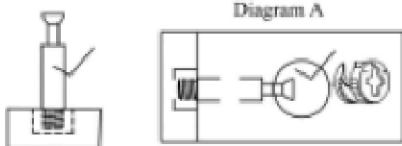
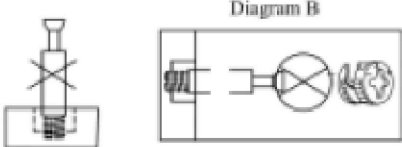
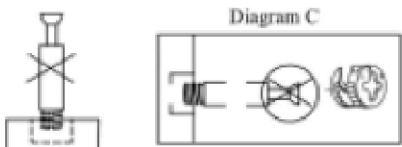
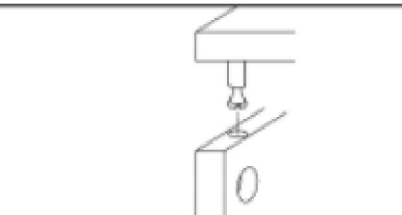
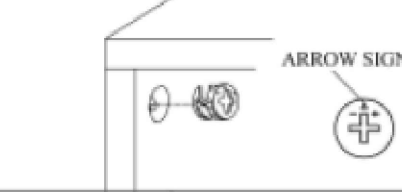
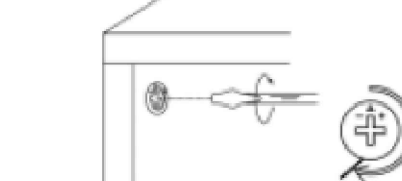
**Important - Please read these instructions fully before starting assembly**

Thank you for purchasing this quality product. Be sure to check all packing materials carefully for small parts, which may have come loose inside the carton during shipment. Identify and count all items according to the PARTS LIST and/or HARDWARE LIST shown below. Check you have all the components and tools listed on the following pages.

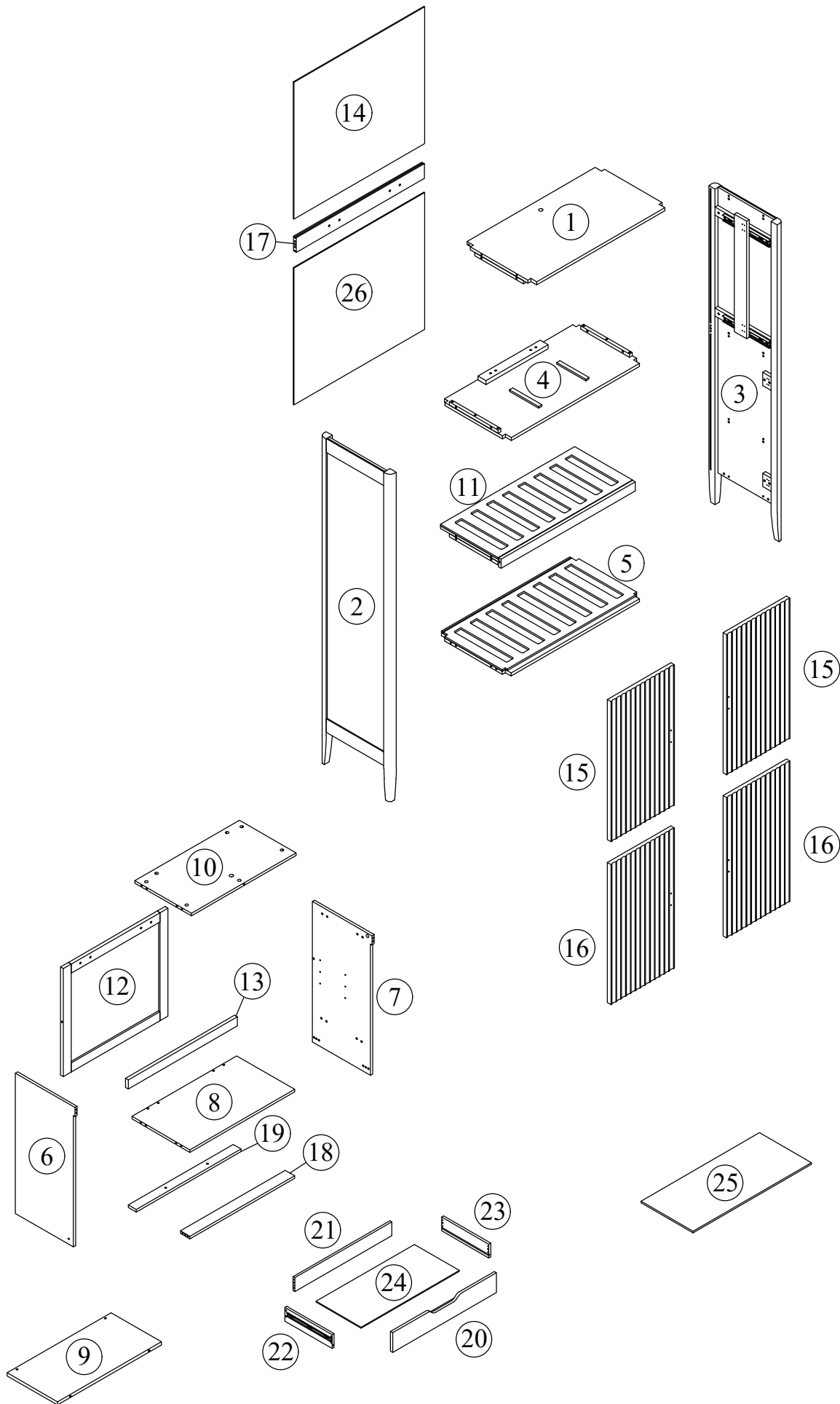
- . We recommend that you assemble this product with the assistance of another person; this will make the assembly easier, and will help eliminate damage to the product or injury to persons during assembly.
- . Please do not over tighten screws or bolts until the assembly is completed.
- . Keep children and animal away from the work area, small parts could choke if swallowed.
- . Please put all parts on a non-abrasive floor before assembly, and follow the assembly steps to assemble your newly purchased product correctly and efficiently.

**If you find that you have any trouble with assembly or missing or damaged parts please contact the seller.**

## Cam Lock Assembly Instructions

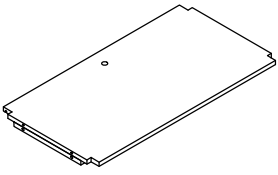
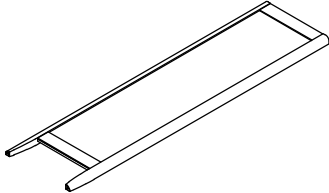
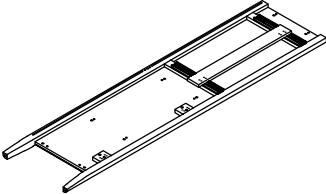
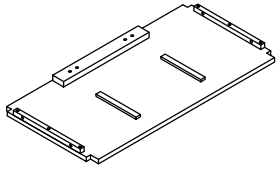
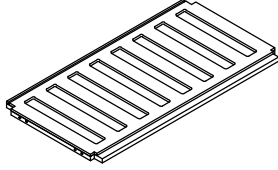


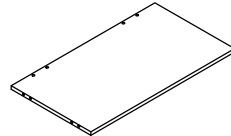
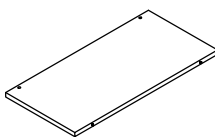
	<p>Diagram A</p> <p>Insert Cam Bolt into hole as shown in diagram A.</p>
	<p>Diagram B</p> <p>Make sure not to insert the Cam Bolt: Too deep as shown in figure B as this will cause the Cam Lock to be misaligned and unable to interlock properly.</p>
	<p>Diagram C</p> <p>Also avoid inserting the Cam Bolt too close to the surface of the hole as shown in figure C, as this will cause the Cam Lock to be too loose, and not interlock properly.</p>
	<p>Connect the panels together.</p>
	<p>ARROW SIGN</p> <p>Insert the Cam Lock so the side opening fits over the head of the Cam Bolt.</p>
	<p>To tighten the Cam Lock, turn it clockwise on half a turn with a flat screwdriver. <i>*Do not use an automatic screwdriver as it may bend or break if too much power is imposed.</i></p>

# Detail View - CABINET

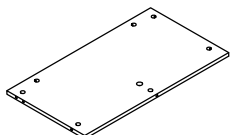
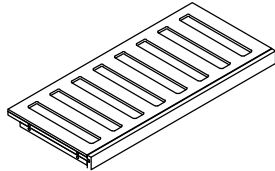
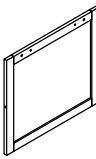
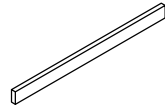


**Identifying the Hardware** - identify the hardware using the illustrations below.

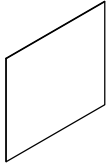
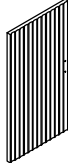
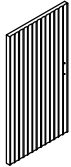
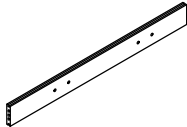
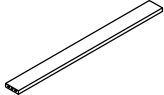
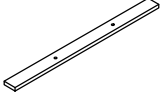
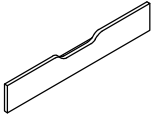
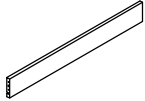
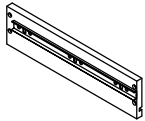
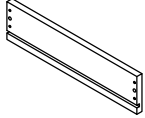
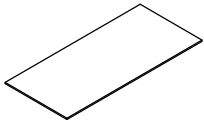
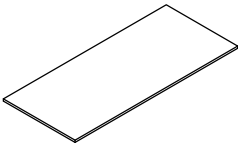
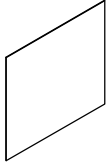
## Part List -N711P438607

<p>1</p>	 <p>Top Panel - 1pc</p>	<p>2</p>  <p>Side Panel Left - 1pc</p>
<p>3</p>	 <p>Side Panel Right - 1pc</p>	<p>4</p>  <p>Mid Panel - 1pc</p>
<p>5</p>	 <p>Bottom Panel - 1pc</p>	<p>6</p>  <p>Side Panel Left - 1pc</p>
<p>7</p>	 <p>Side Panel Right - 1pc</p>	<p>8</p>  <p>Mid Panel - 1pc</p>
<p>9</p>	 <p>Drawer Panel - 1pc</p>	





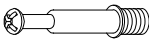



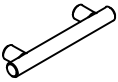
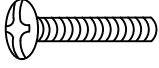
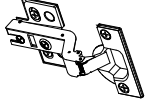
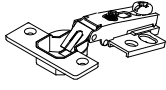
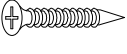

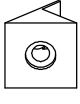


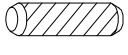

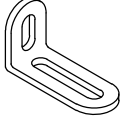
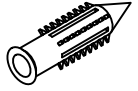


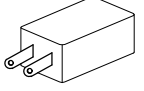
## Part List -N711P438608

<p>10</p>	 <p>Top Panel - 1pc</p>	<p>11</p>  <p>Mid Panel - 1pc</p>
<p>12</p>	 <p>Back Frame - 1pc</p>	<p>13</p>  <p>Front Top Bar - 1pc</p>

# Part List - N711P438608

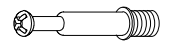
<p>14</p>  <p>Back Panel Top - 1pc</p>	<p>15</p>  <p>Door Cabinet Top - 2pcs</p>
<p>16</p>  <p>Door Cabinet Bottom - 2pcs</p>	<p>17</p>  <p>Mid Bar Rear - 1pc</p>
<p>18</p>  <p>Front Bottom Bar - 1pc</p>	<p>19</p>  <p>Back Bottom Bar - 1pc</p>
<p>20</p>  <p>Drawer Face - 1pc</p>	<p>21</p>  <p>Drawer Back Panel - 1pc</p>
<p>22</p>  <p>Drawer Side Panel (L) - 1pc</p>	<p>23</p>  <p>Drawer Side Panel (R) - 1pc</p>
<p>24</p>  <p>Bottom Drawer Panel - 1pc</p>	<p>25</p>  <p>Glass Shelf Panel - 1pc</p>
<p>26</p>  <p>Back Panel Bottom - 1pc</p>	

# Hardware List - N711P438607

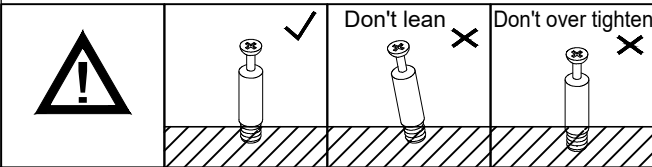
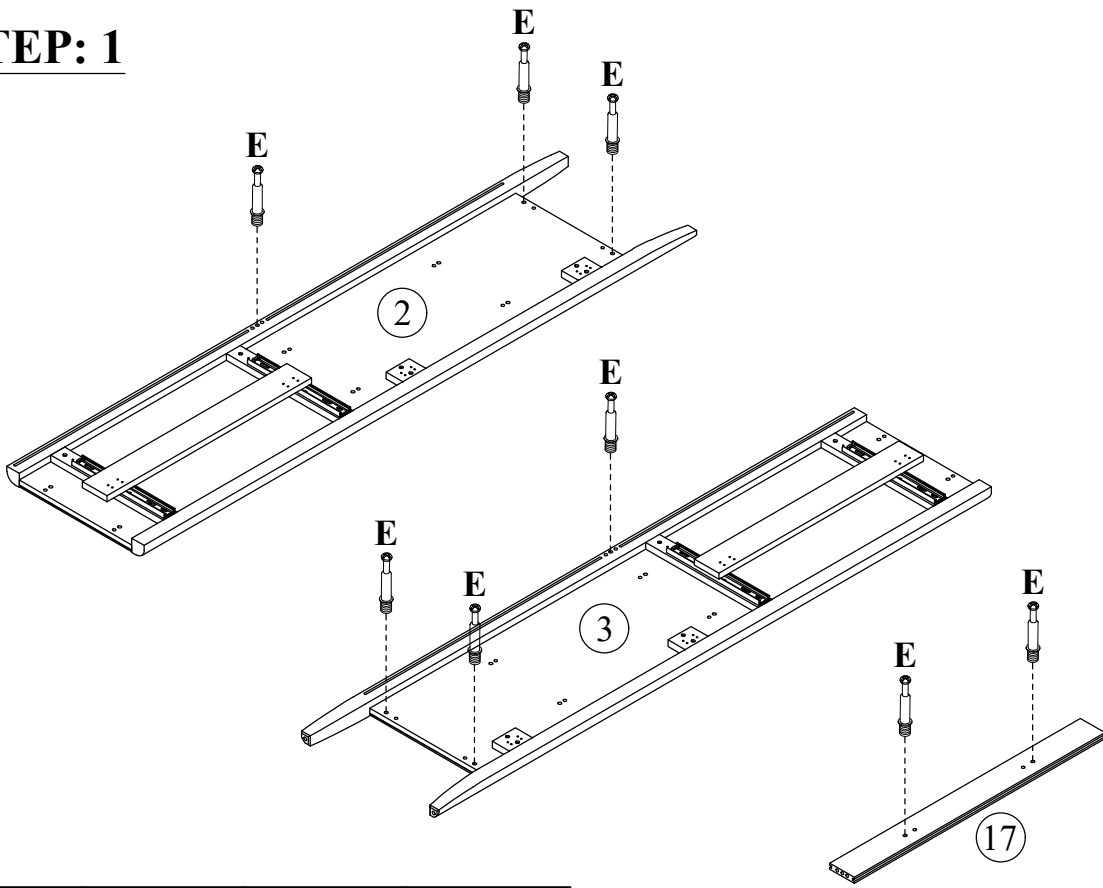
<p><b>A</b></p>  <p>ø13x1/4"x28mm</p> <p>Hex-Head bolts(16pcs+1)</p>	<p><b>B</b></p>  <p>ø13x1/4"x50mm</p> <p>Hex-Head bolts(2pcs+1)</p>	<p><b>C</b></p>  <p>ø1/4"x16x1mm</p> <p>Washer(18pcs+1)</p>
<p><b>D</b></p>  <p>1/4"Xø10x13mm</p> <p>Horizontal-Hole bolts(2pcs+1)</p>	<p><b>E</b></p>  <p>ø6x35mm</p> <p>Three in one bolts (27pcs+1)</p>	<p><b>F</b></p>  <p>ø14.5x12mm</p> <p>Three in one lock (27pcs+1)</p>
<p><b>G</b></p>  <p>ø8xø4x32mm</p> <p>Round head screw (8pcs+1)</p>	<p><b>H</b></p>  <p>Handle (2pcs)</p>	<p><b>I</b></p>  <p>Handle (4pcs)</p>
<p><b>J</b></p>  <p>ø5/32"x28mm</p> <p>Handle screw (8pcs+1)</p>	<p><b>K</b></p>  <p>Damping hinge (4pcs)</p>	<p><b>L</b></p>  <p>Damping hinge (4pcs)</p>
<p><b>M</b></p>  <p>ø7xø3.5x15mm</p> <p>Flat head screw(48pcs+1)</p>	<p><b>N</b></p>  <p>Shelf Pin (4pcs+1)</p>	<p><b>O</b></p>  <p>Backplate clips(24pcs+1)</p>
<p><b>P</b></p>  <p>ø7xø3.5x15mm</p> <p>Flat head screw (24pcs+1)</p>	<p><b>Q</b></p>  <p>ø8x30mm</p> <p>Wood dowel(44pcs+1)</p>	<p><b>R</b></p>  <p>ø6x30mm</p> <p>Wood dowel(4pcs+1)</p>
<p><b>S</b></p>  <p>4mm</p> <p>Allen key(1pc)</p>	<p><b>T</b></p>  <p>L-Bracket (2pcs)</p>	<p><b>U</b></p>  <p>ø12x55mm</p> <p>Plastic stopper (2pcs+1)</p>
<p><b>V</b></p>  <p>ø10xø5x50mm</p> <p>Round head screw (2pcs+1)</p>	<p><b>W</b></p>  <p>ø10xø5x20mm</p> <p>Round head screw (2pcs+1)</p>	<p><b>X</b></p>  <p>Power Adaptor(1pc)</p>

# STEP: 1

**E**



**8PCS**



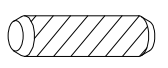
# STEP: 2

**F**

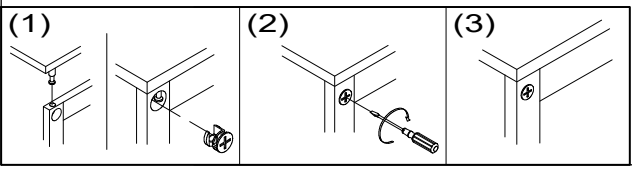
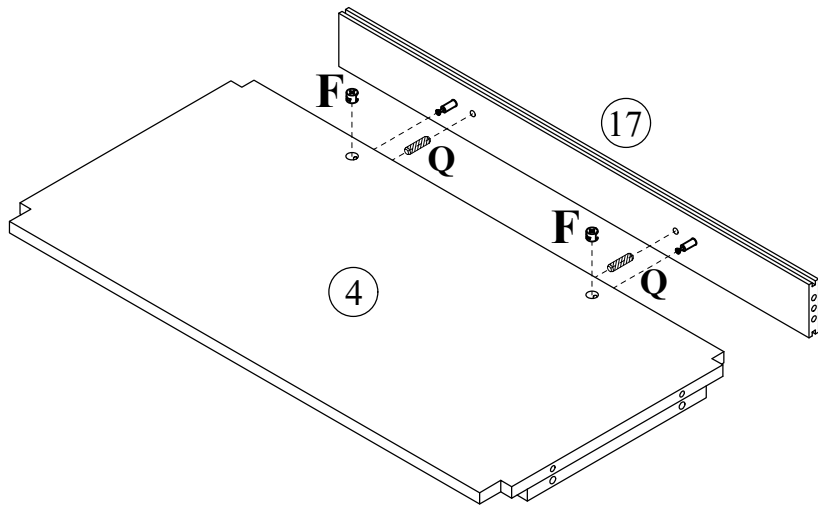


**2PCS**




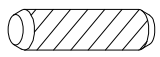
**Q**




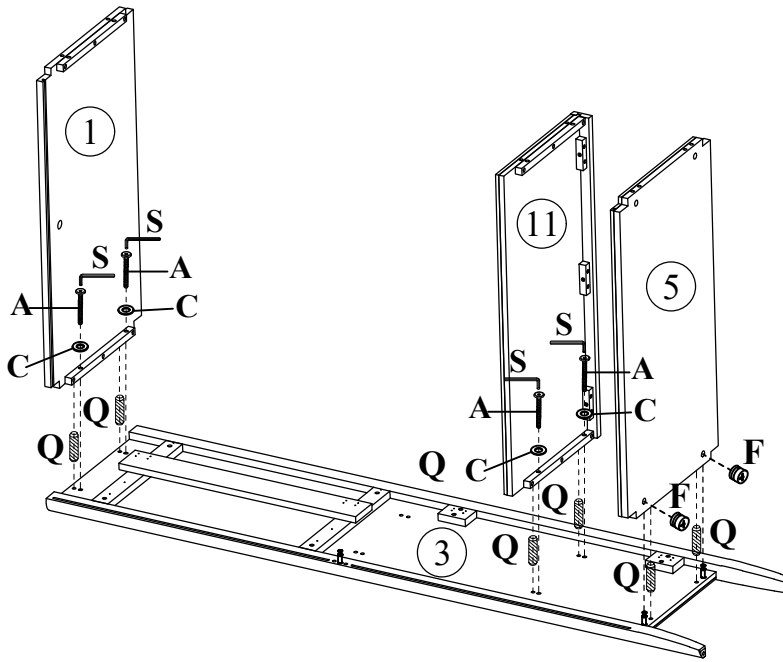
**2PCS**






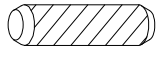
### STEP: 3


<b>A</b>	<b>C</b>	<b>F</b>	<b>Q</b>
			
4PCS	4PCS	2PCS	6PCS

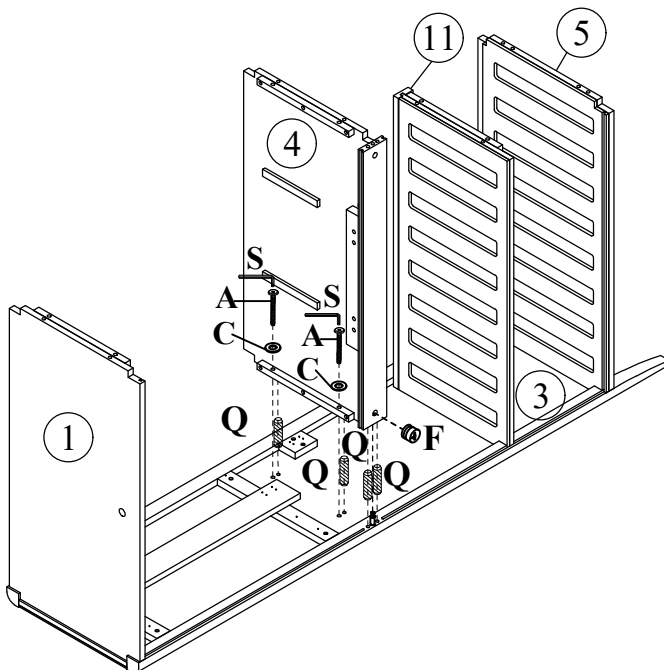
<b>S</b>

1PC



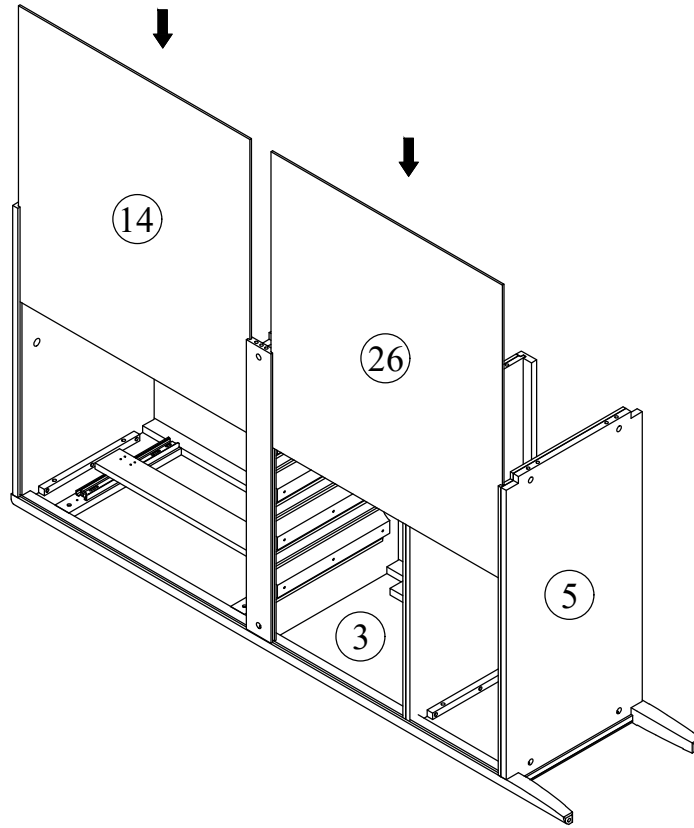
### STEP: 4

<b>A</b>	<b>C</b>	<b>F</b>	<b>Q</b>
			
2PCS	2PCS	1PC	4PCS






<b>S</b>

1PC

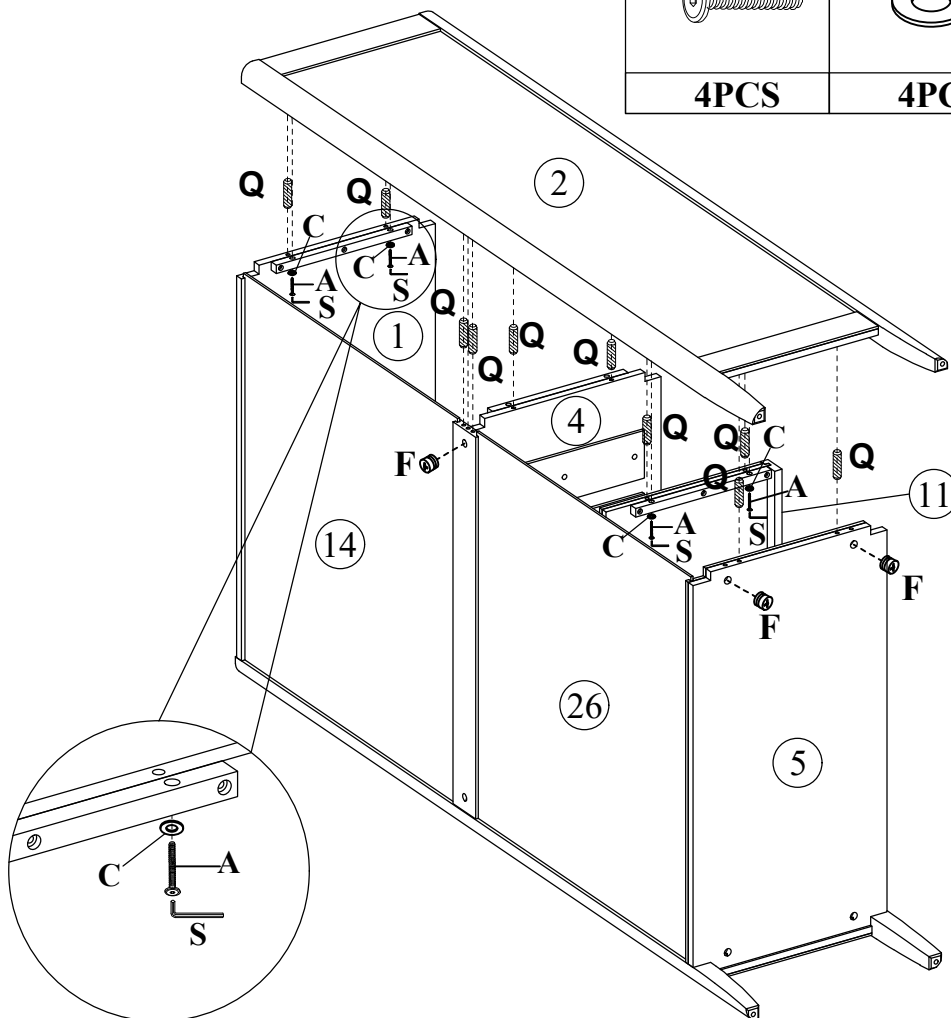


# STEP: 5






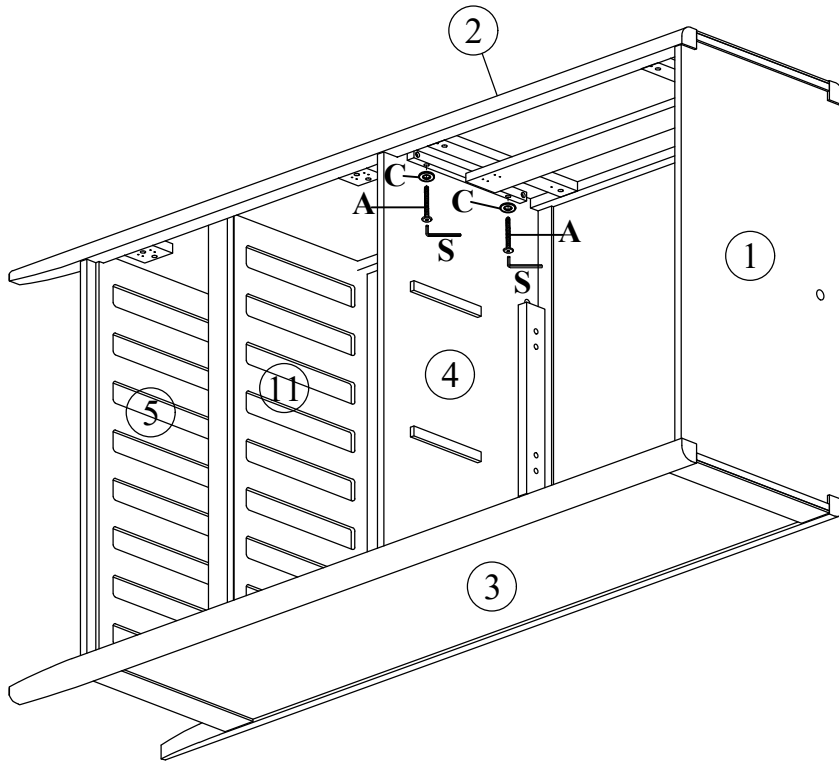
# STEP: 6

<b>A</b>	<b>C</b>	<b>F</b>	<b>Q</b>
			
4PCS	4PCS	3PCS	10PCS
			<b>S</b>
			
			1PC





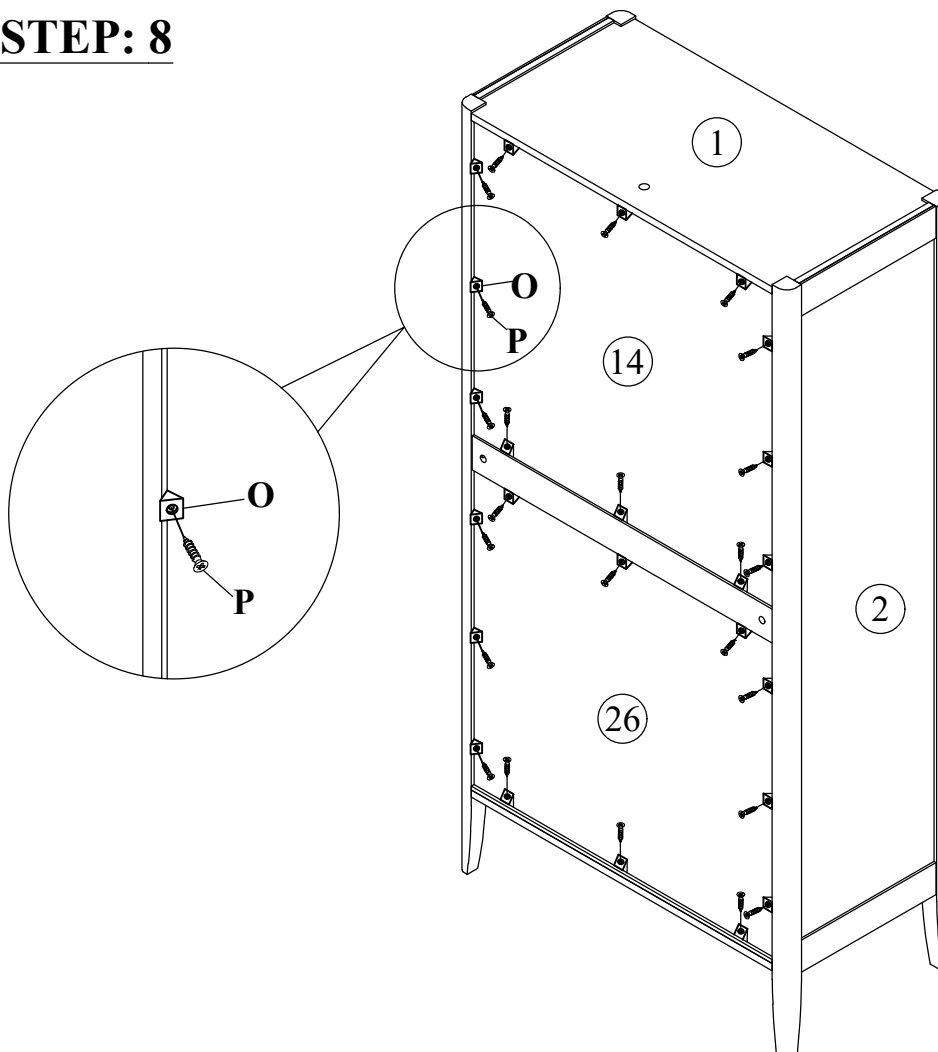
# STEP: 7

<b>A</b>		<b>C</b>		<b>S</b>	
<b>2PCS</b>		<b>2PCS</b>		<b>1PC</b>	

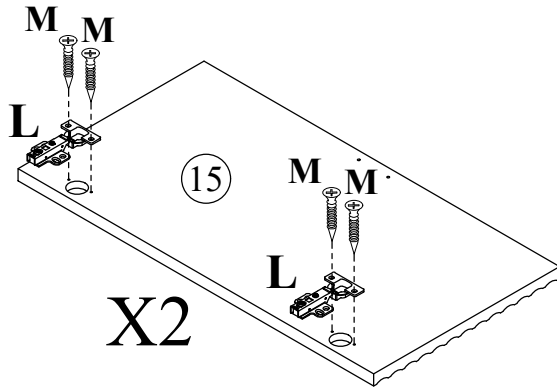


# STEP: 8

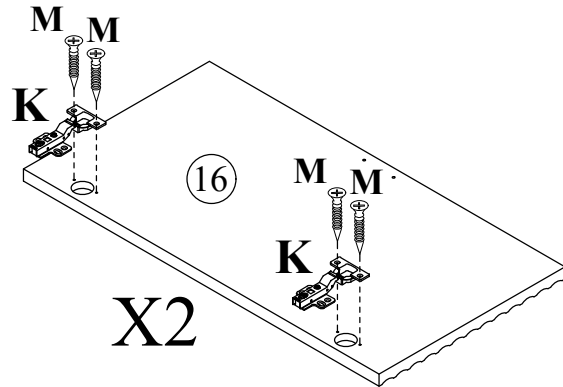
<b>O</b>		<b>P</b>	
<b>24PCS</b>		<b>24PCS</b>	



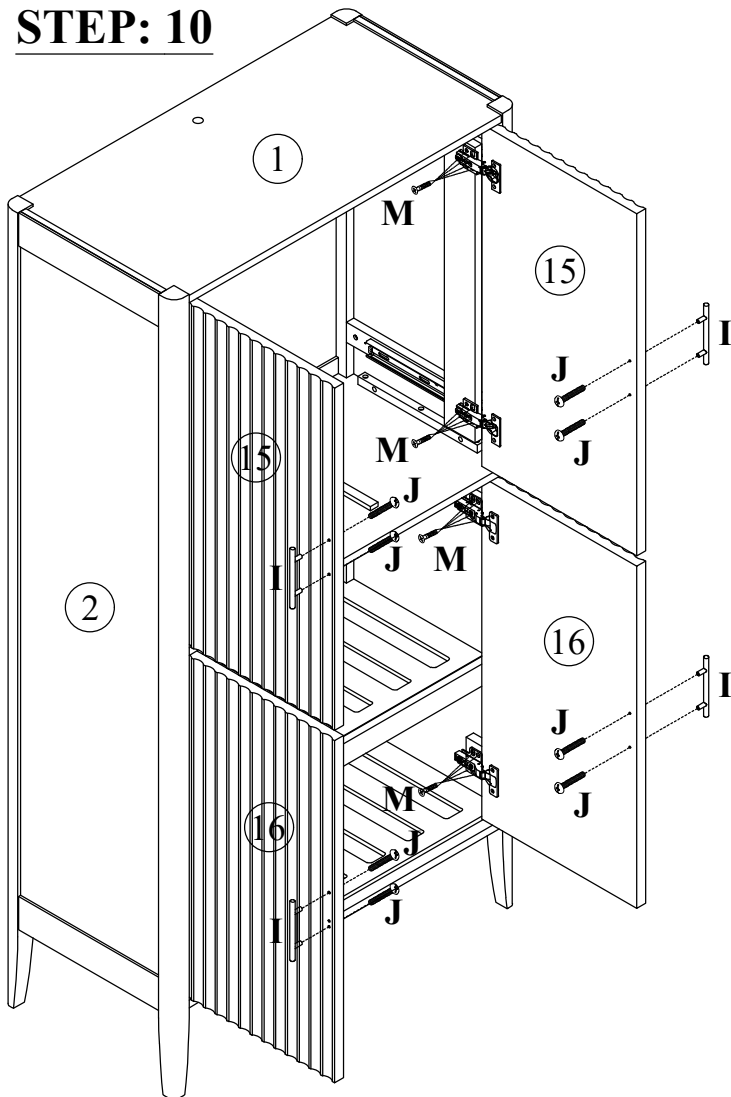
# STEP: 9



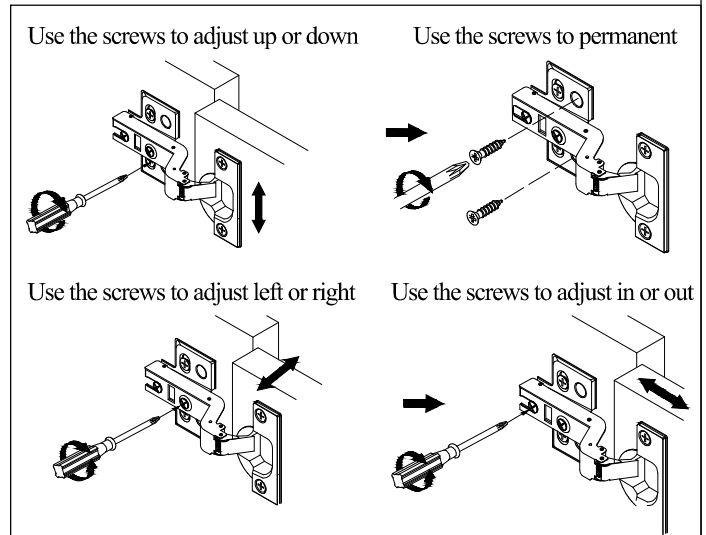
<b>L</b>	<b>K</b>	<b>M</b>
<b>4PCS</b>	<b>4PCS</b>	<b>16PCS</b>



# STEP: 10

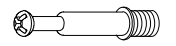


<b>I</b>	<b>J</b>	<b>M</b>
<b>4PCS</b>	<b>8PCS</b>	<b>32PCS</b>

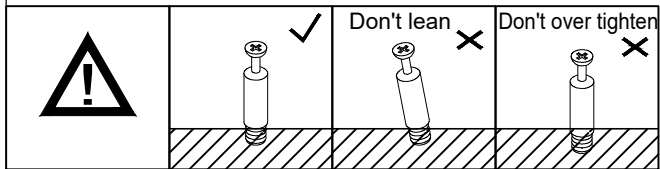
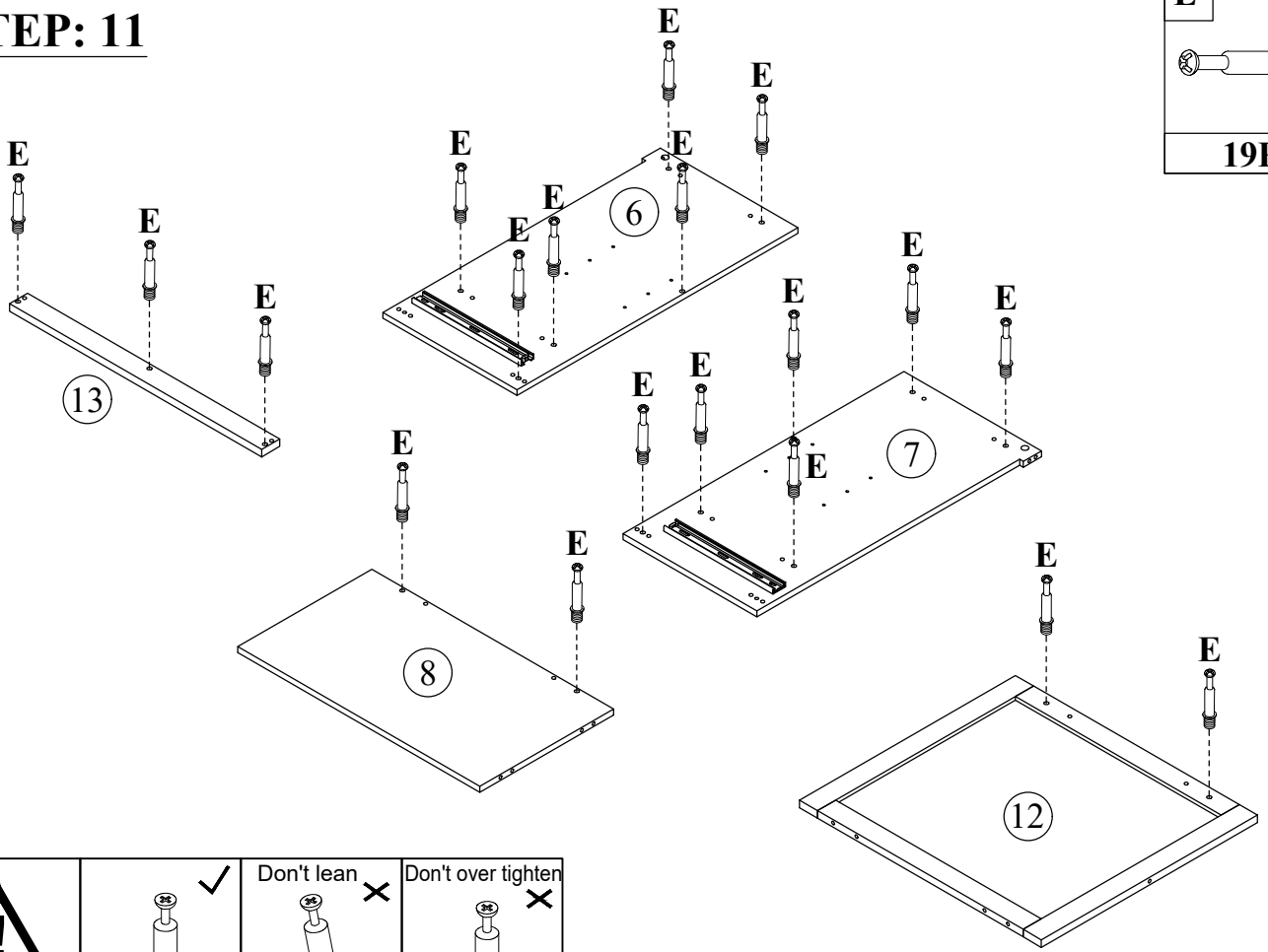


# STEP: 11

**E**



**19PCS**



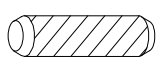
# STEP: 12

**F**

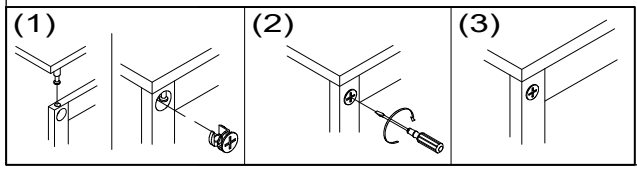
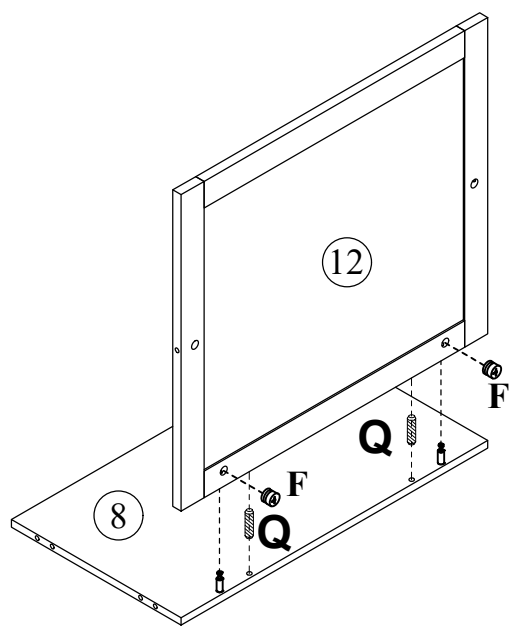


**2PCS**



**Q**

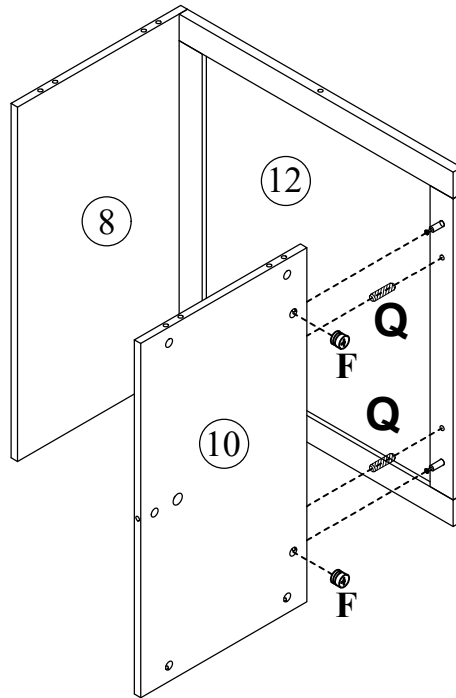


**2PCS**


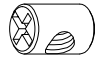




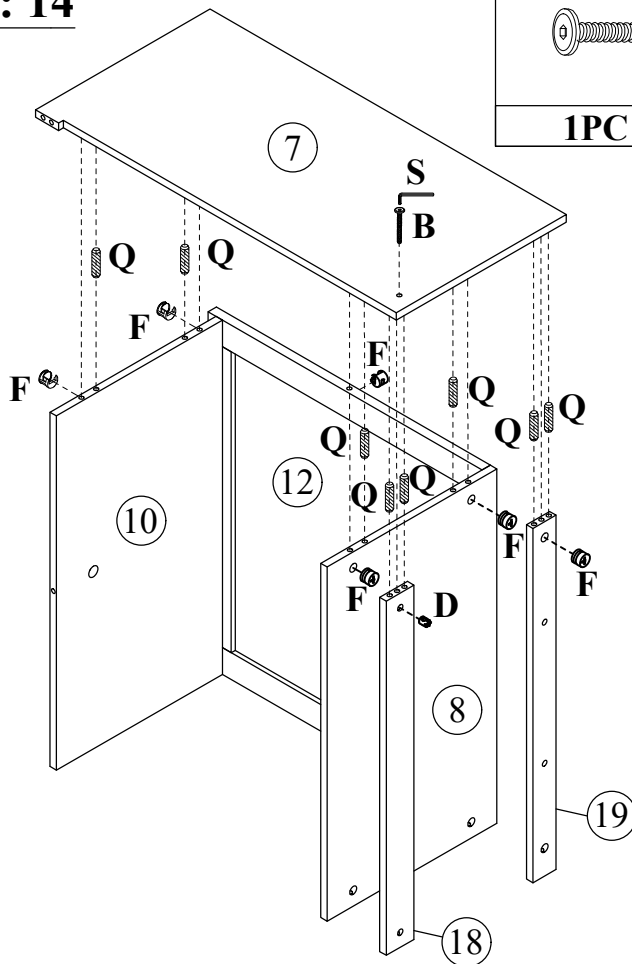
# STEP: 13


<b>F</b>		<b>Q</b>	
	<b>2PCS</b>		<b>2PCS</b>

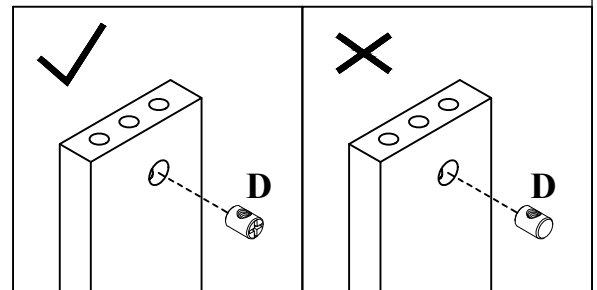


# STEP: 14

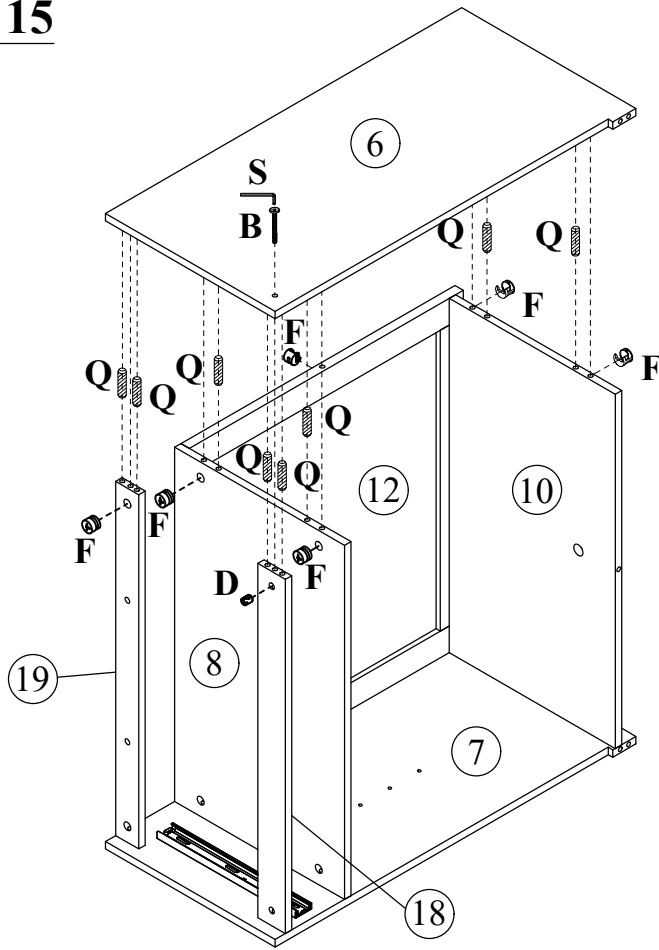
<b>B</b>		<b>D</b>		<b>F</b>		<b>Q</b>	
	<b>1PC</b>		<b>1PC</b>		<b>6PCS</b>		<b>8PCS</b>


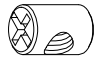

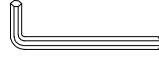



<b>S</b>	
	<b>1PC</b>

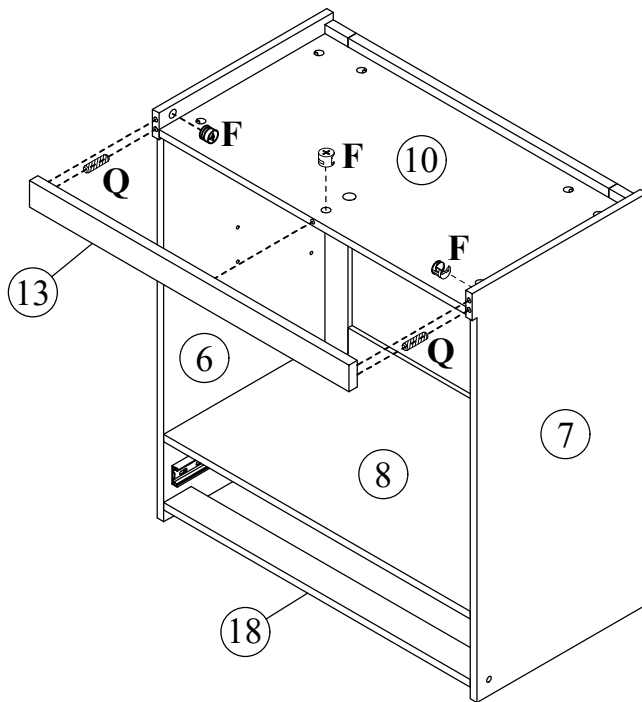




# STEP: 15



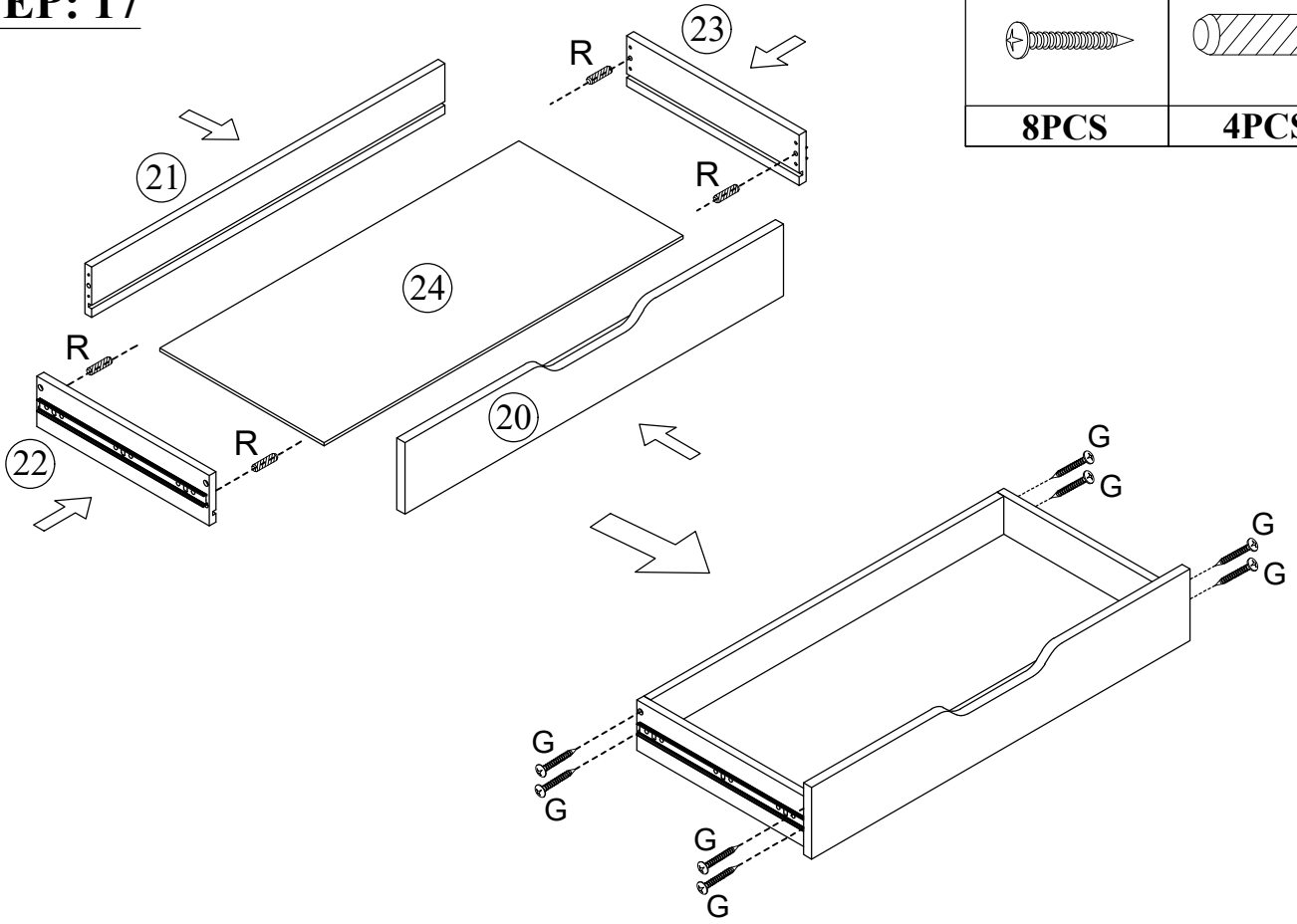
<b>B</b> 	<b>D</b> 	<b>F</b> 
1PC	1PC	6PCS
<b>S</b> 	<b>Q</b> 	
1PC	8PCS	


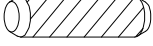
# STEP: 16



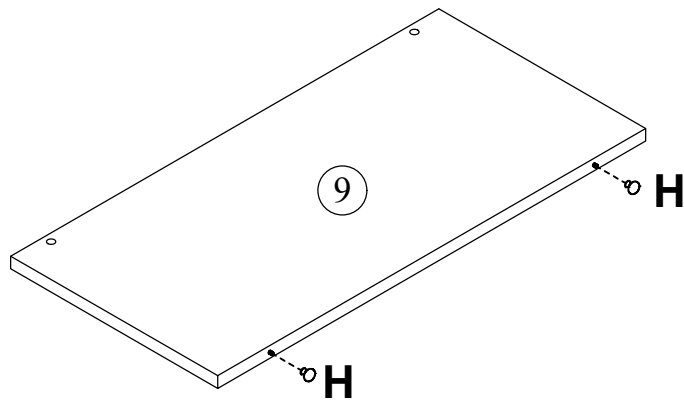
<b>F</b> 	<b>Q</b> 
3PCS	2PCS


# STEP: 17



<b>G</b>	<b>R</b>
	
<b>8PCS</b>	<b>4PCS</b>

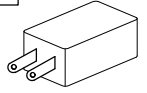
# STEP: 18



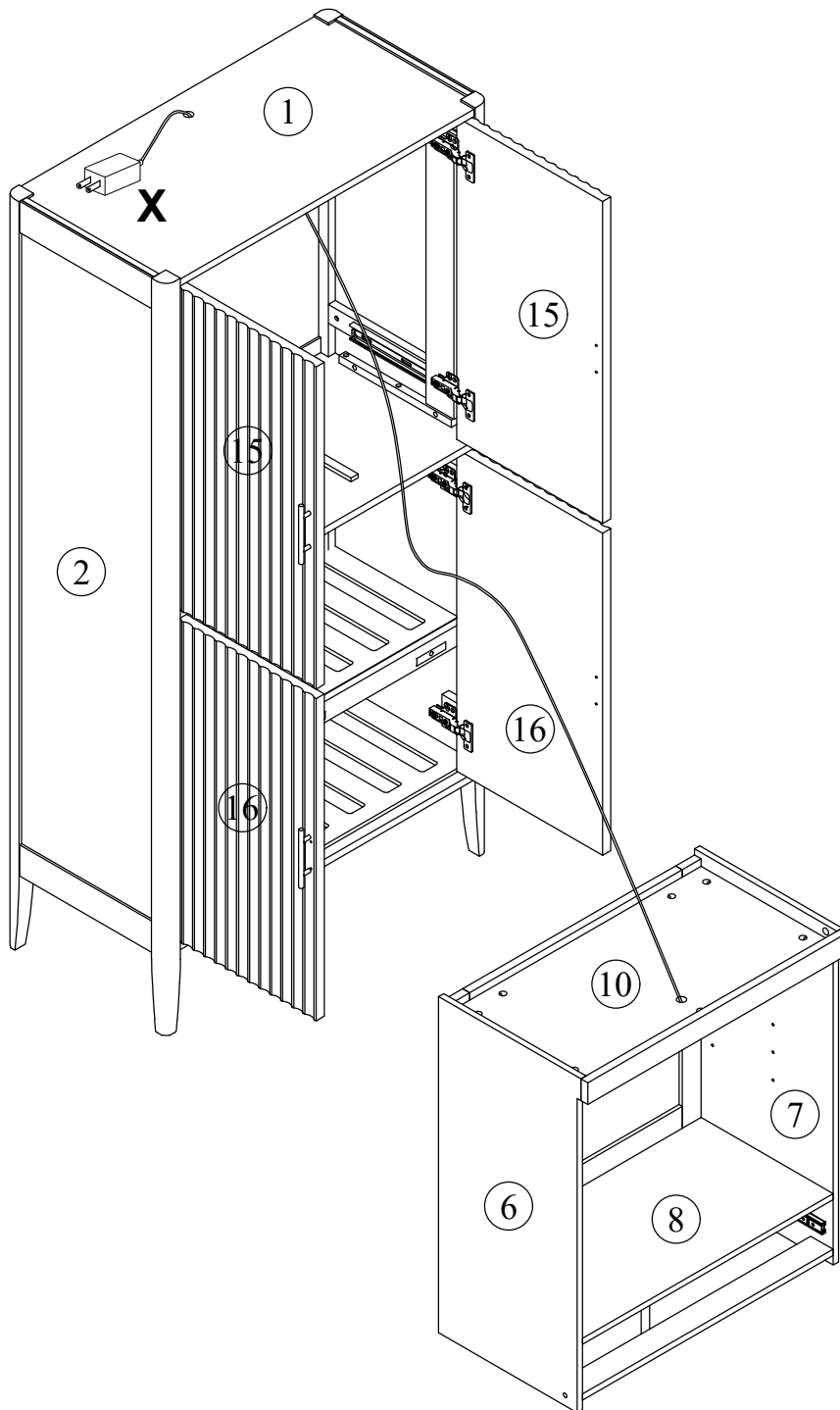
<b>H</b>

<b>2PCS</b>

# STEP: 19

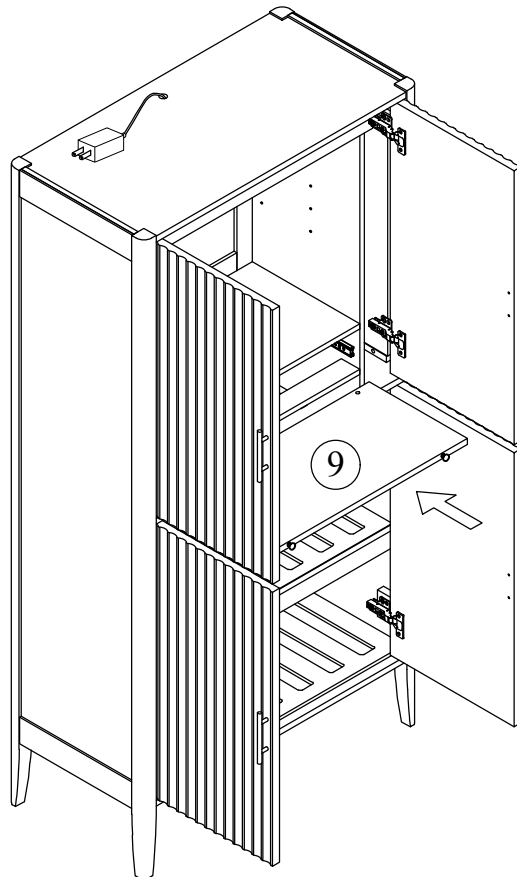
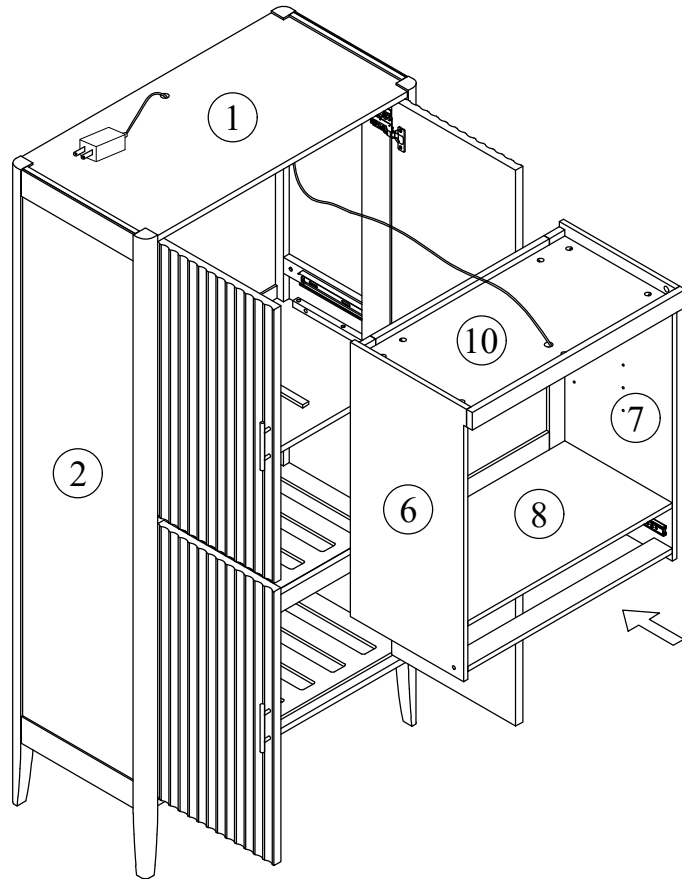
**X**






**1PC**

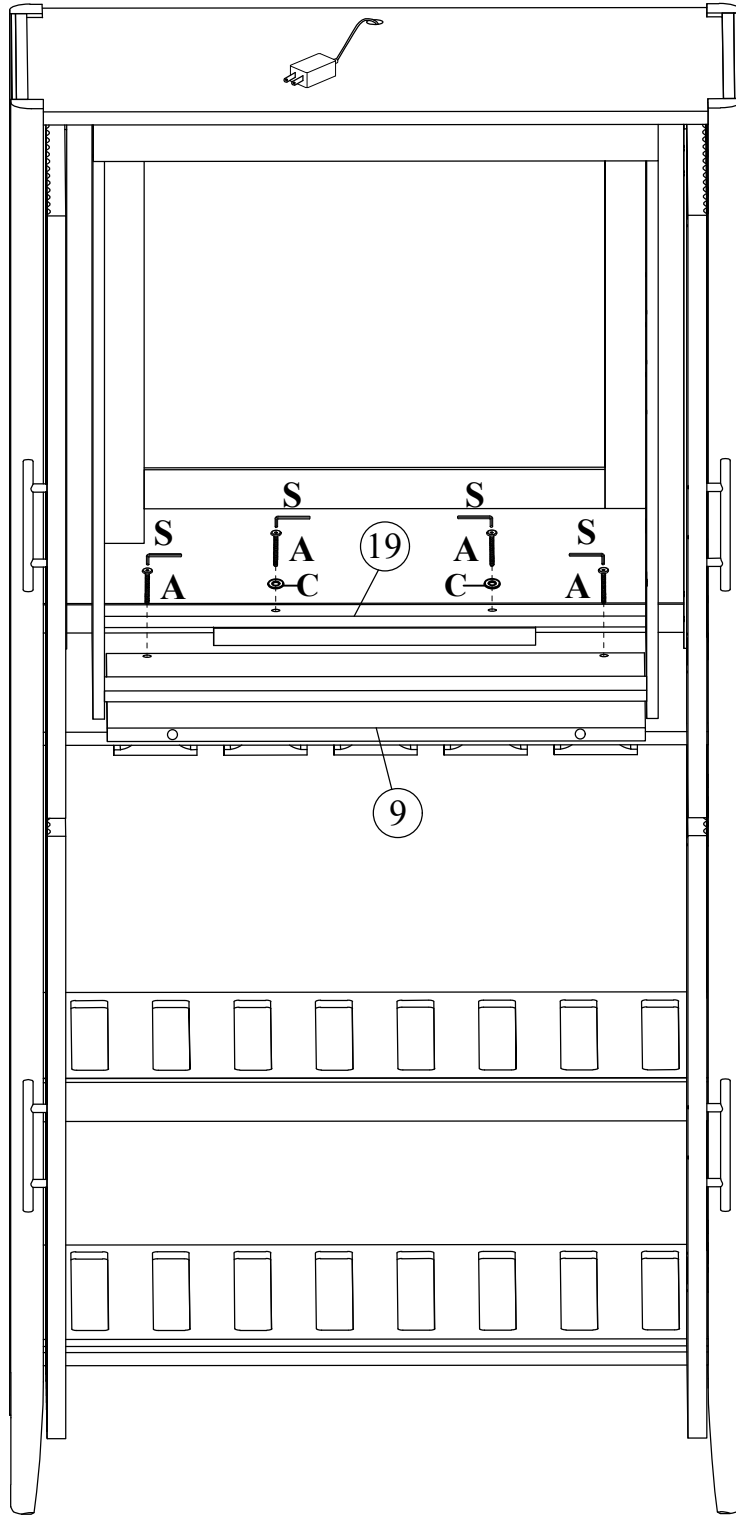


**STEP: 20**

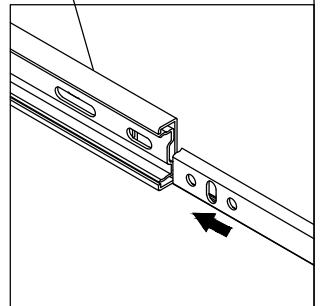
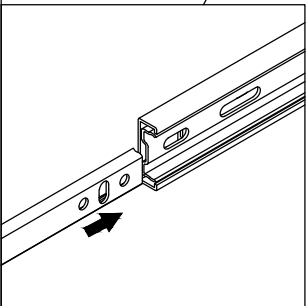
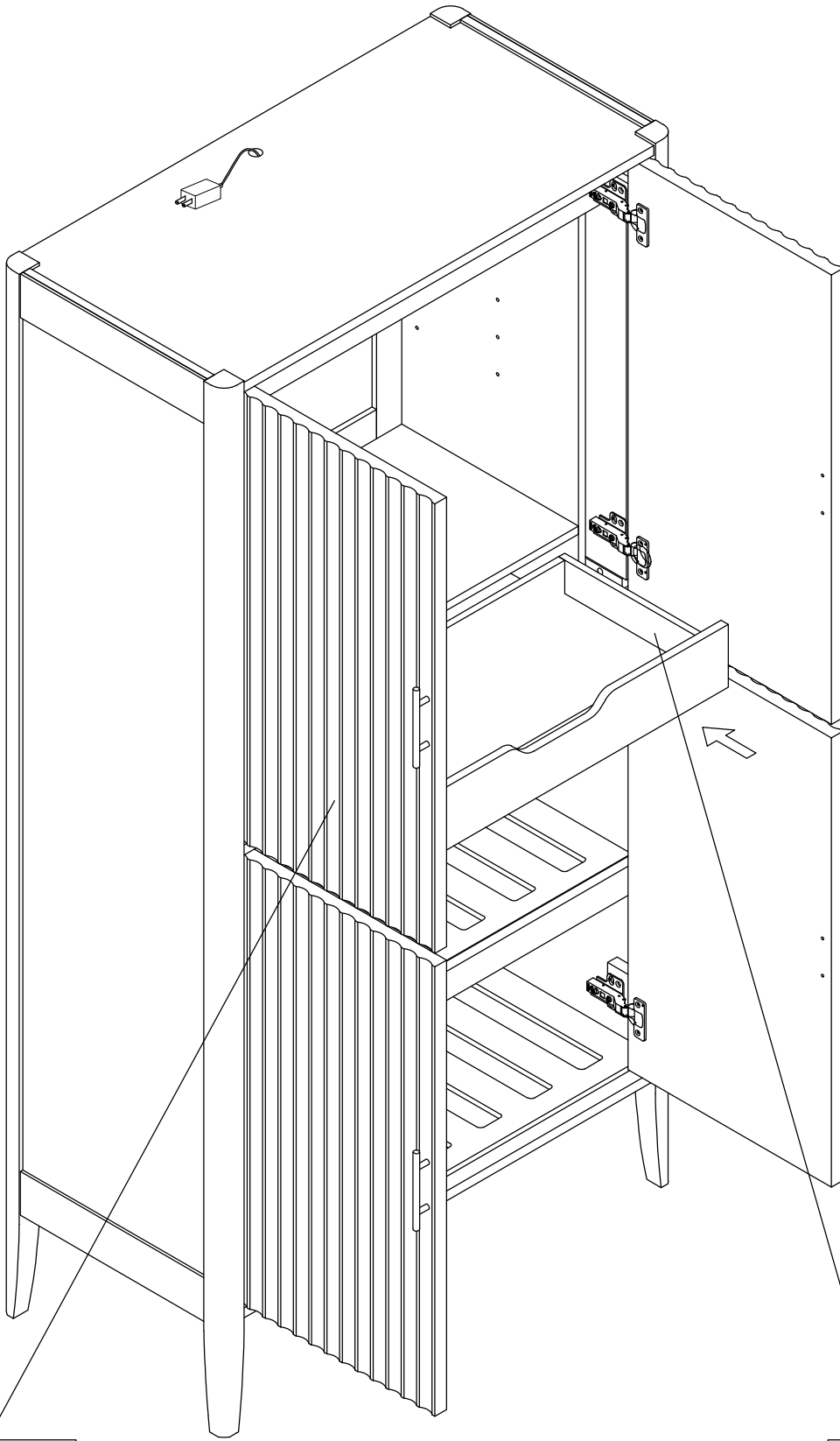


# STEP: 21

<b>A</b> 	<b>C</b> 	<b>S</b> 
<b>4PCS</b>	<b>2PCS</b>	<b>1PC</b>



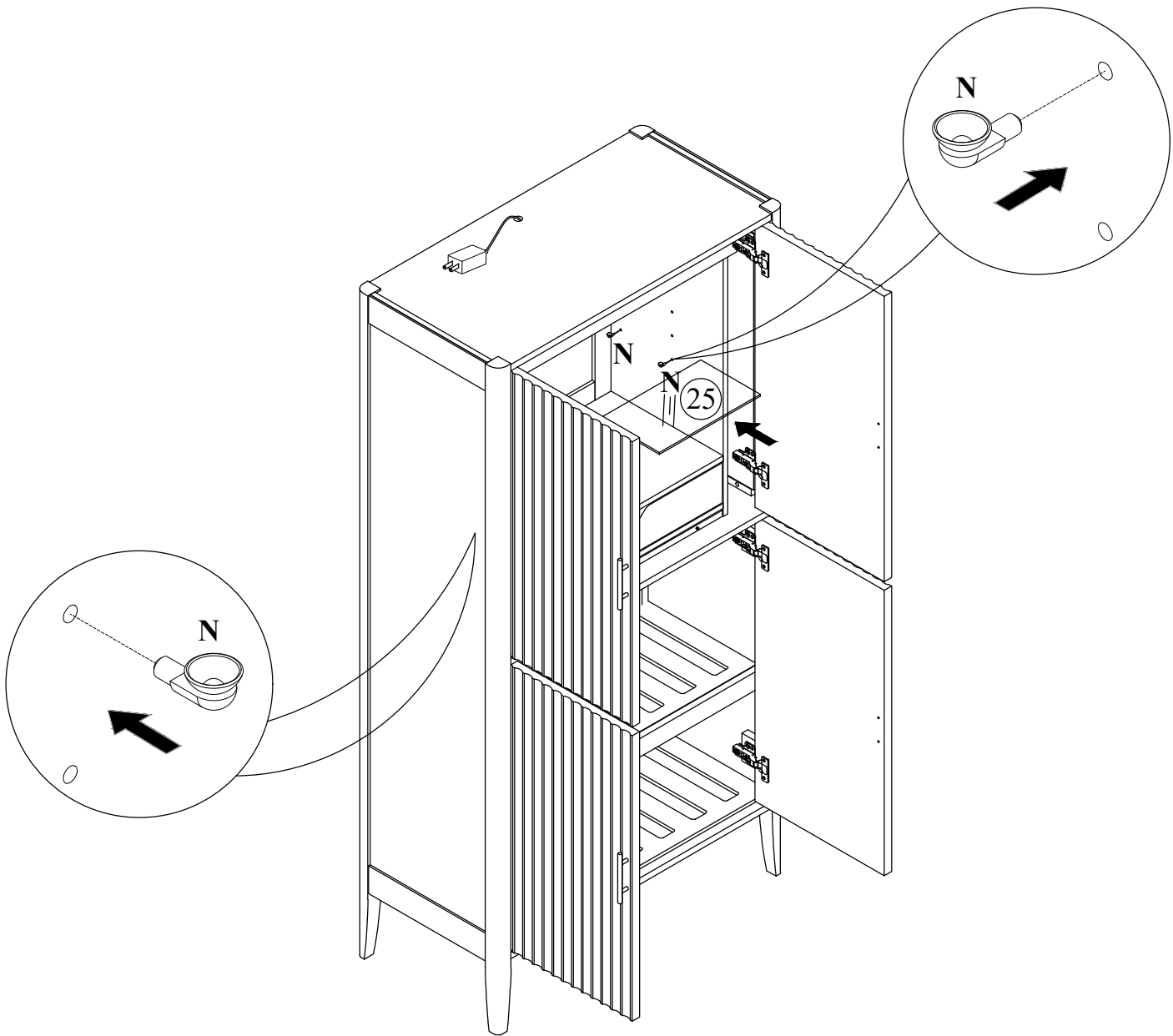
**STEP: 22**



**STEP: 23**

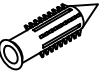
N

4PCS

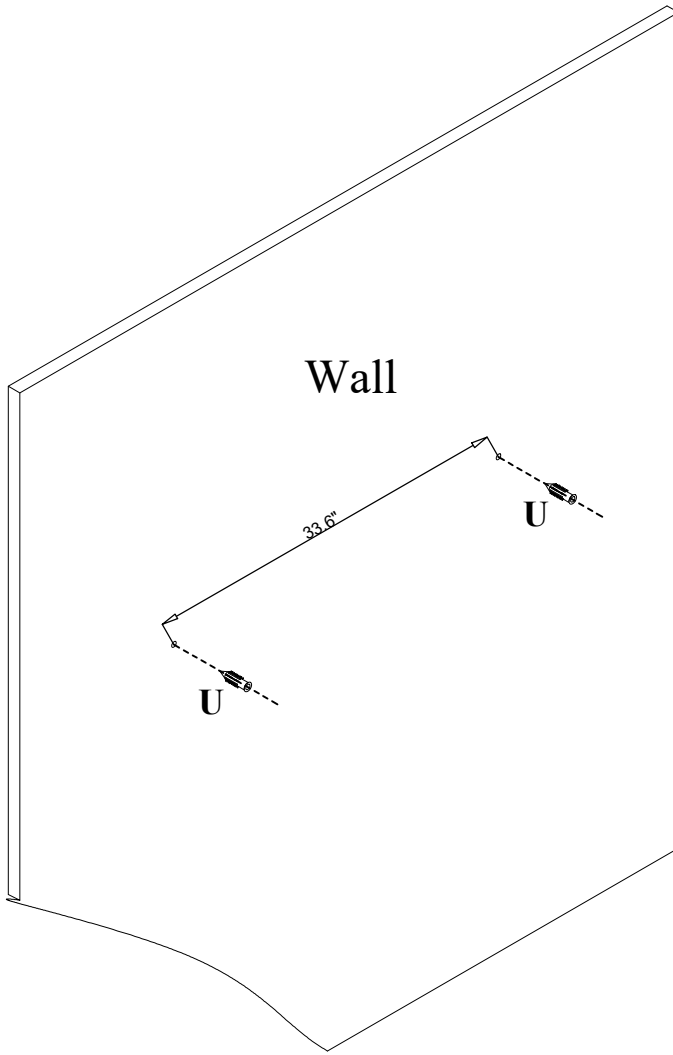


**STEP: 24**




**U**

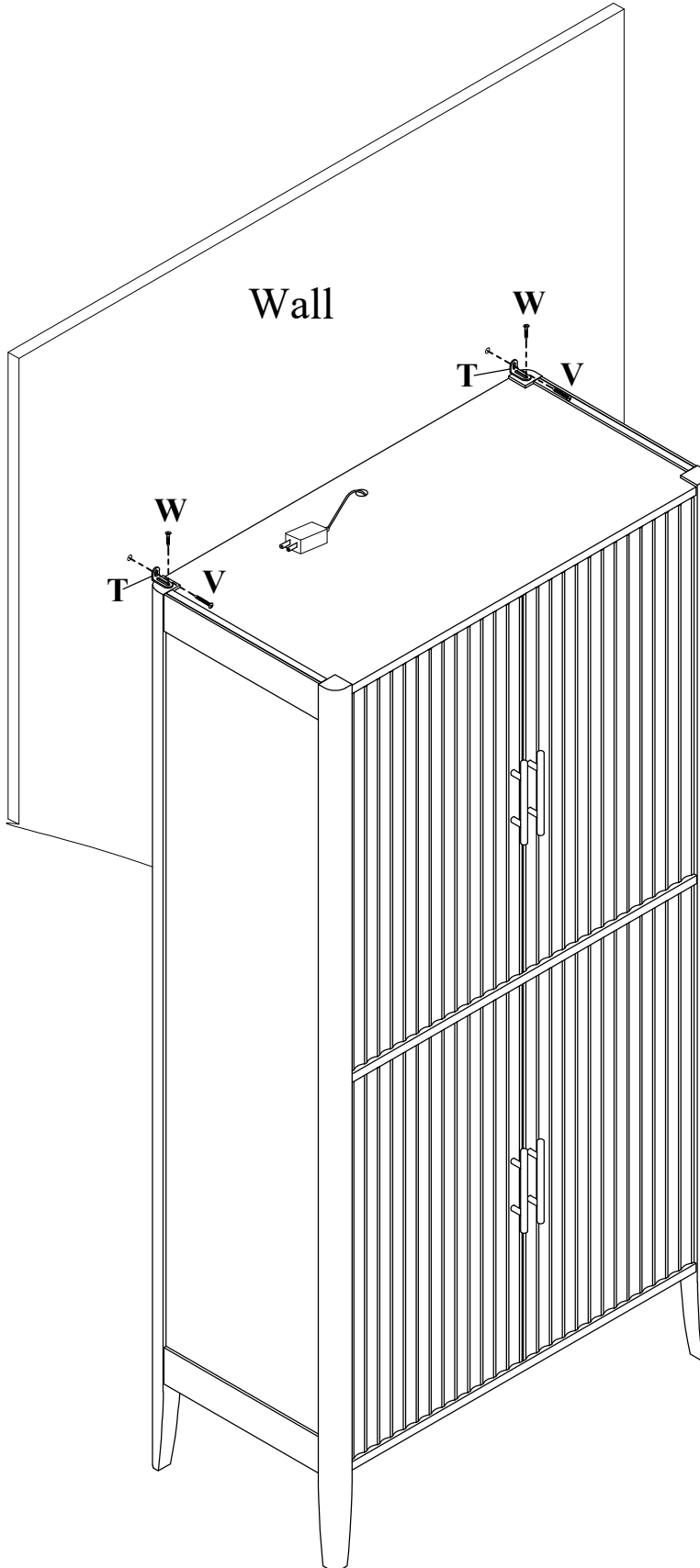


**2PCS**



# STEP: 25

<b>T</b>		<b>V</b>		<b>W</b>	
<b>2PCS</b>		<b>2PCS</b>		<b>2PCS</b>	



**STEP: 26**

