

# PRODUCT MANUAL



**ATTENTION!** PLEASE READ THESE INSTRUCTIONS BEFORE USING THIS DEVICE

**PRODUCT MANUAL**



## NOTICE:

If your package is missing parts or you are having issues with assembly, please call us directly. Our customer service team will address any questions or concerns you may have.

Have this manual open and ready for reference.



## SAFETY

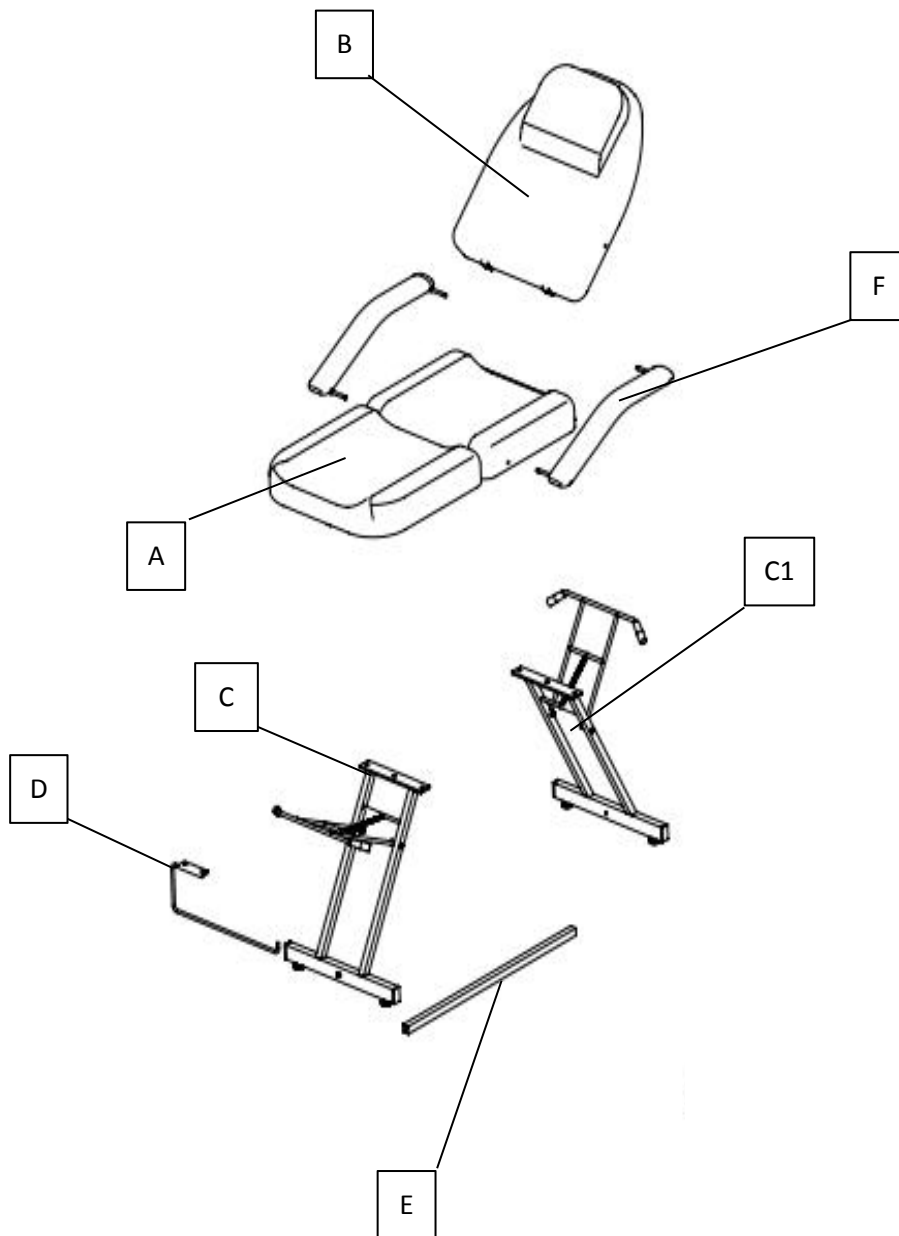
To reduce risk of injury when assembling & using the bed, follow these precautions:





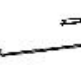
- Read all of these instructions before assembling and using your salon bed.
- It is helpful to have 2 people assemble and turn the bed upright after assembling.
- **Do not over-extend the bed(0~150kg), creating the risk of falls or tipping the bed, and its occupant over, resulting in injury**



## OTHER ITEMS YOU WILL NEED (not included)

- Hand Tools:Wrench  
Sturdy box

# PARTS & FEATURES



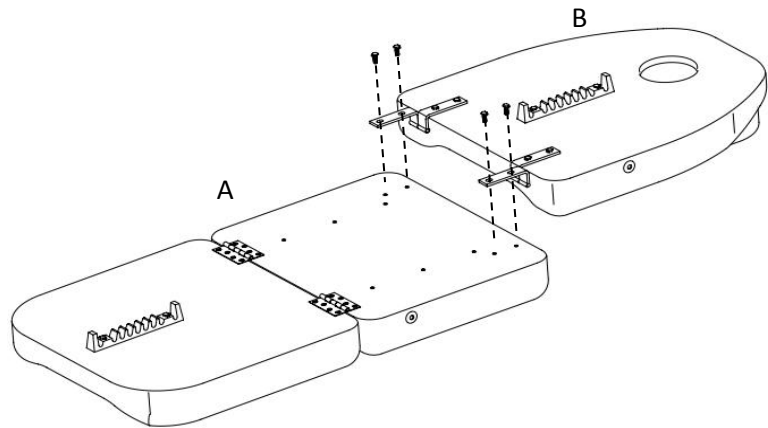
Parts Item	Picture	Parts name	Quatity
A		Seat cushion	1
B		Backrest	1
C1		Short spring Leg	1
C2		Long spring Leg	1
D		Towel holder	1

Parts Item	Picture	Parts name	Quatity
E		Leg Support	1
F		Armrest	2

## Installation instruction

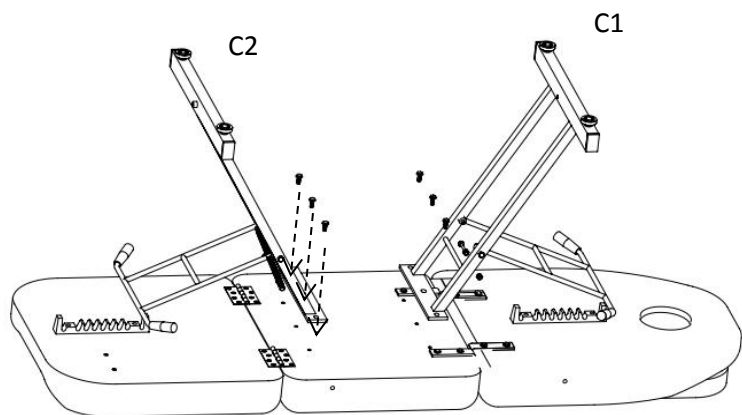
### FIRST : Assemble backrest(B)to seat cushion(A)

1. Putting seat cushion ( A ) upside down,
2. remove 4pcs Hexagon Flange screws which already fixed on the seat cushion (A)
3. Install metal joining parts on the backrest ( B ) to be matched with seat cushion 4 hole
4. Using 4pcs given Hexagon Flange screws to tighten by wrench, please see diagram besides



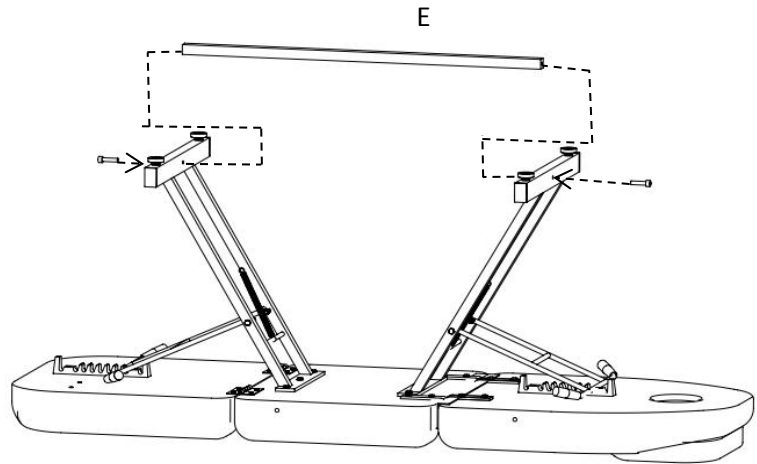
### SECOND : Assemble legs to seat cushion(A)and backrest(B)

1. remove 6pcs Hexagon Flange screws which already fixed on the seat cushion(A) seat cushion
2. Put two legs (C1+C2) to seat cushion (A) and make sure holes on legs matched with each holes on seat cushion(A), install (C1) the Short spring Leg on the side which installed backrest.
3. Using 6pcs given Hexagon flange screws to tighten by wrench, please see diagram besides



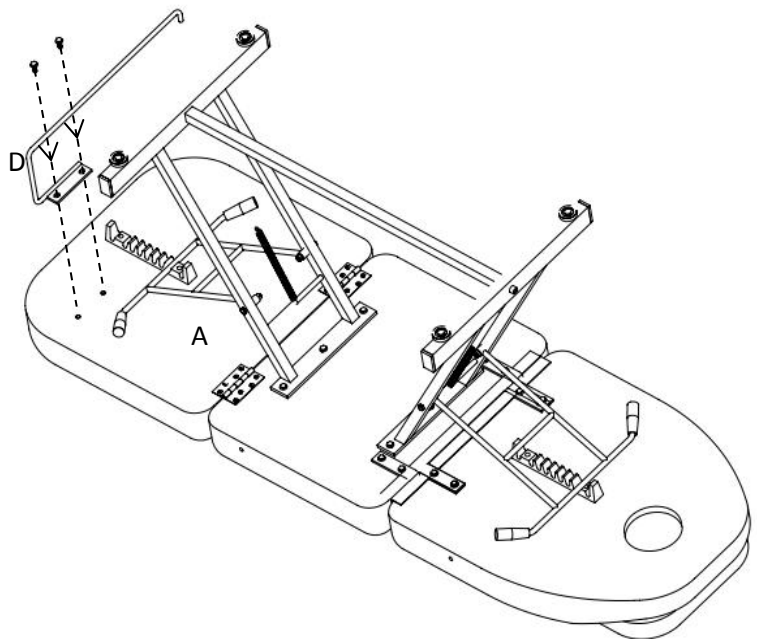
**THIRD : Install Leg Support(E)to the middle of legs**

- 1.remove the 2pc Hexagon socket screws from the leg support wo sides (E).
- 2.insert leg support(E)to the middle of legs(C) , make sure holes toward each holes
- 3.Using 2pcs given Hexagon socket screws to tighten by wrench, please see diagram besides



**FOURTH : Assemble towel holder(D)to the seat cushion(A)**

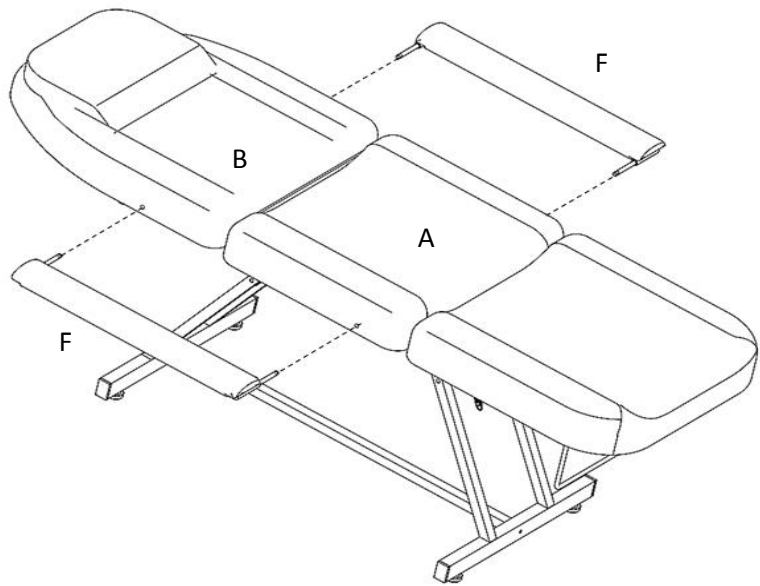
- 1.remove the 2pc Hexagon flange screws from seat cushion(A)
2. Install towel holder(D)to the seat cushion by 2pcs give Hexagon flange screws



**FIFTH : Assemble armrest(F) to the backrest(B)and seat cushion(A)**

1 : putting the bed up right


2: Insert two armrests to the holes on each sides of bed, please follow up the diagram besides

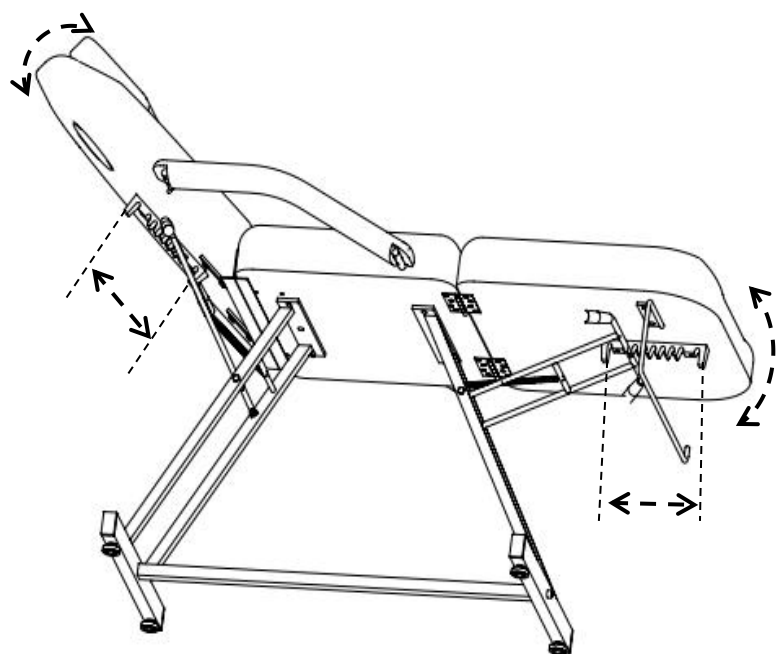


**Function description**

**Adjustment of backrest and seat**

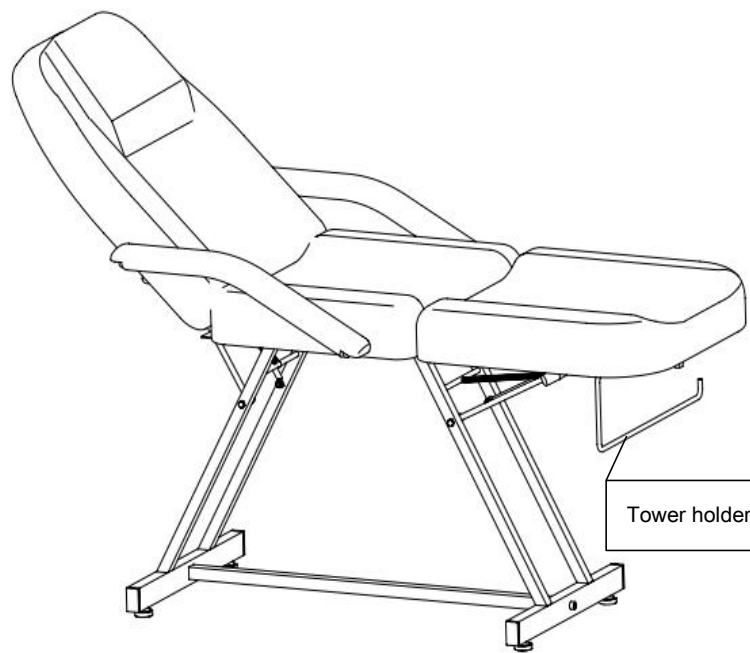
Adjusting the support bar on the two supports to match the rack, which can adjust the tilt of the backrest and the Seat cushion

(  Notice! When moving the adjustment support rod, it must not exceed the gear on both sides of the rack)



Using of towel holder

The Towel holder can hang towels



Towel holder