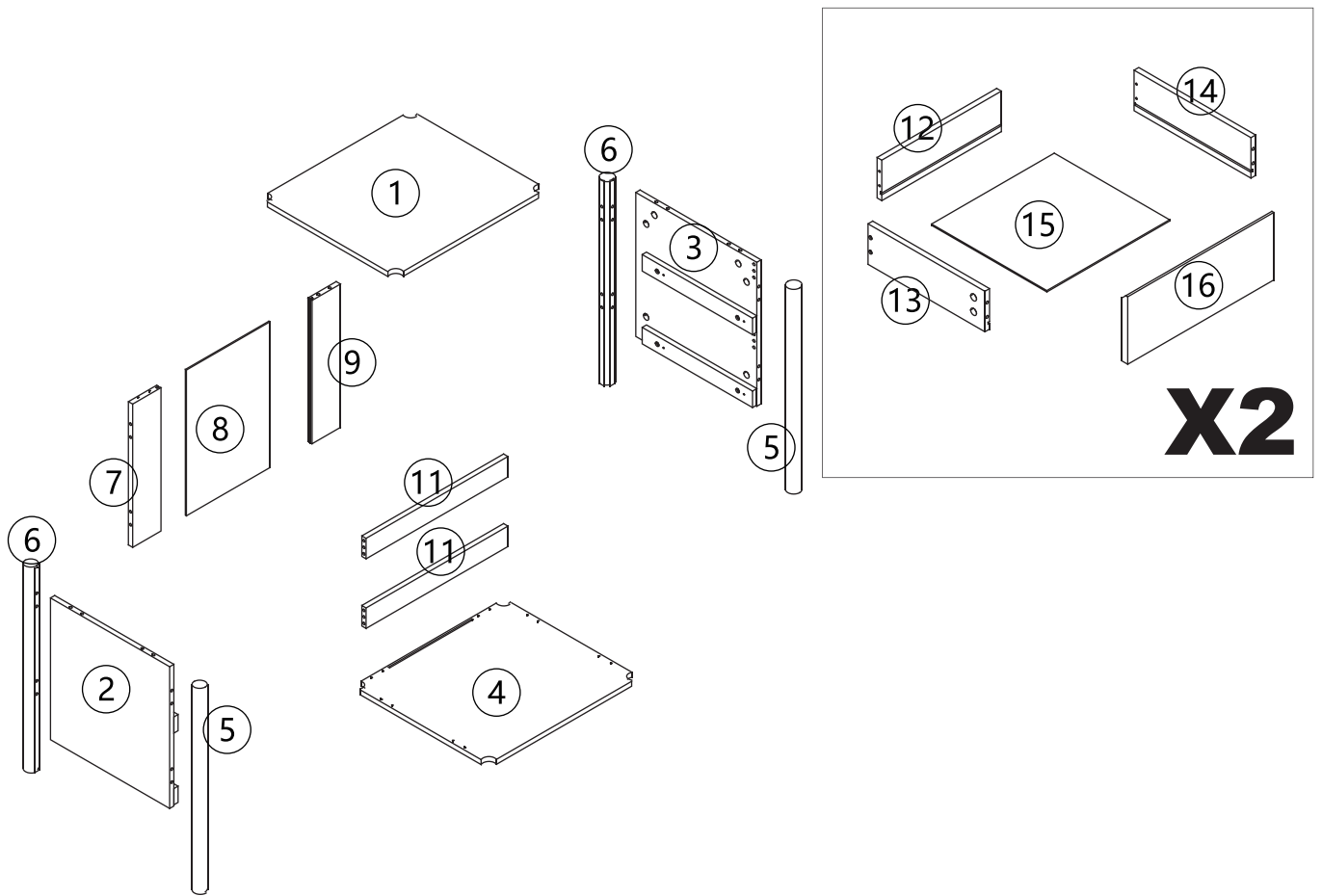











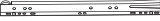



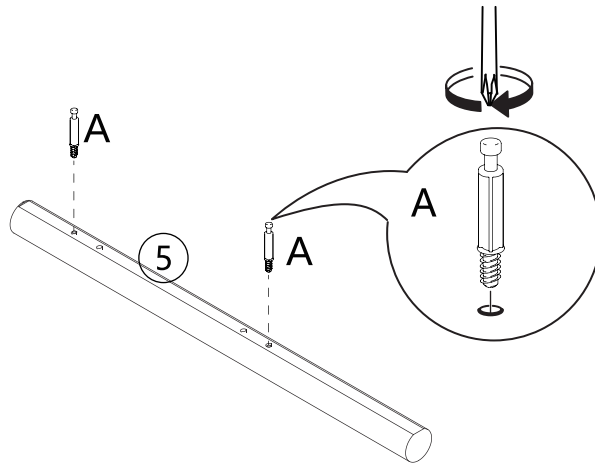
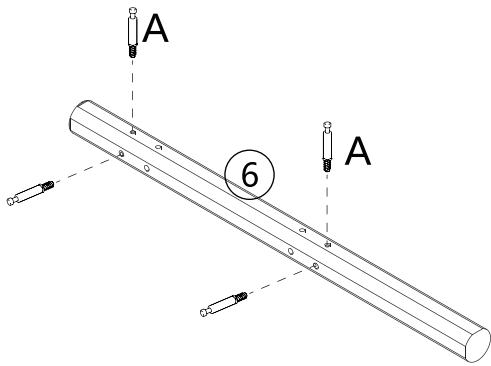
Installation instruction



A	X 32	B	X 32	C	X 28	D	X 16	E	X 4	F	X 4	G	X 4
													
M6*35		$\phi 15*10$		$\phi 8*30$		M4*35		$\phi 25*3$		M3*14			
H	X 16	CL	X 2	CR	X 2	DL	X 2	DR	X 2				
													
M3*12													



STEP1

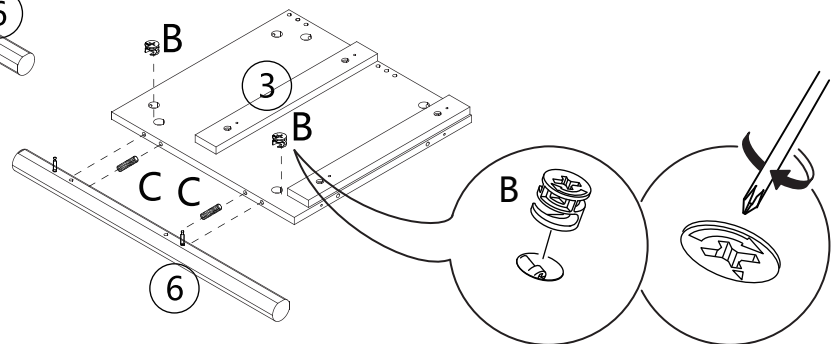
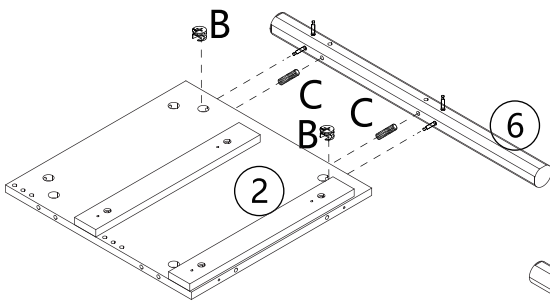
A	X 12
	
M6*35	



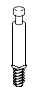
X2

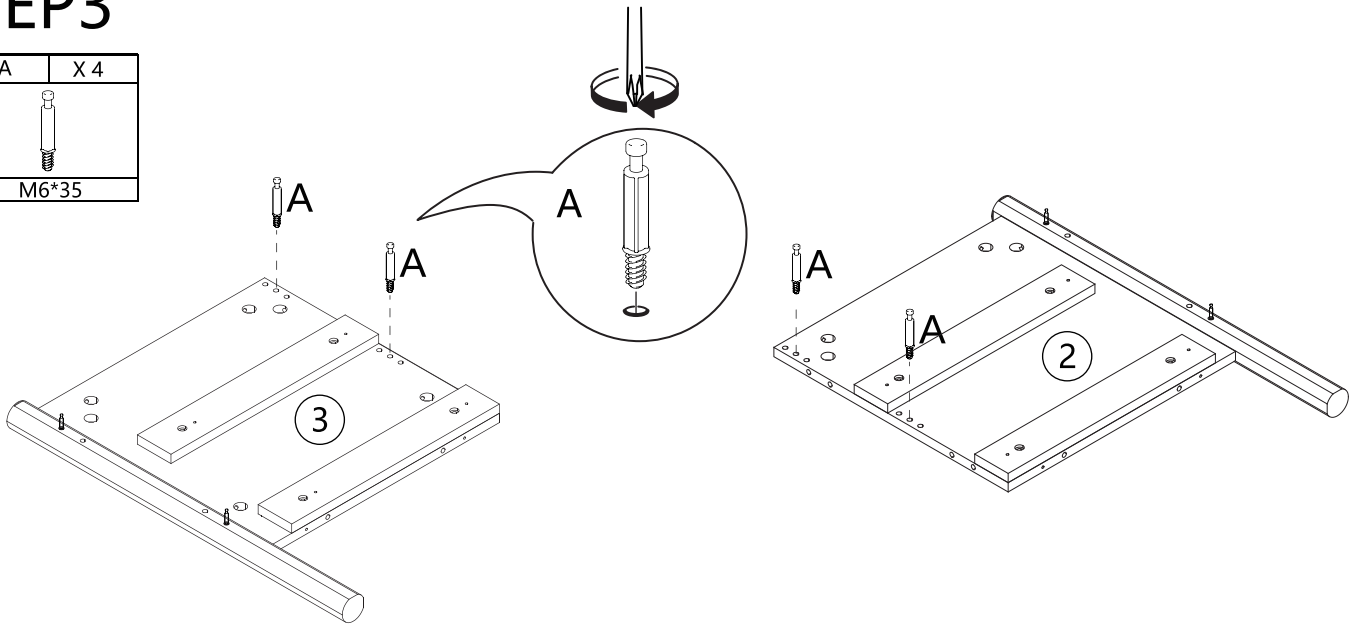
STEP2

B	X 4	C	X 4
			
$\phi 15*10$		$\phi 8*30$	






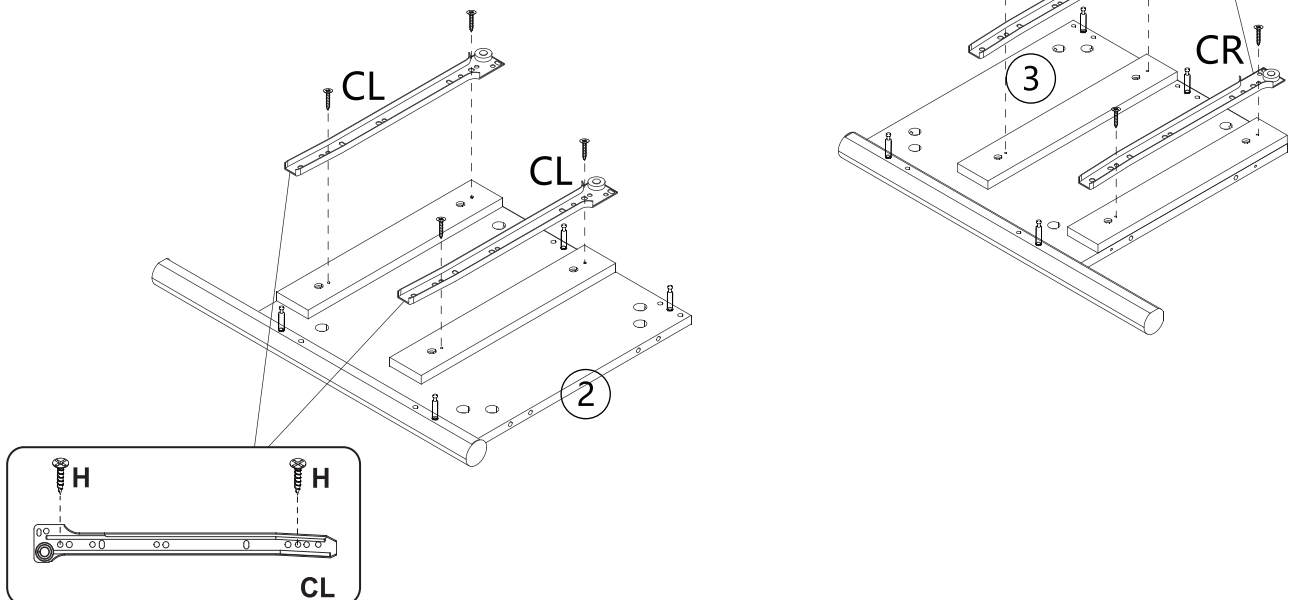
STEP3

A	X 4
	
M6*35	


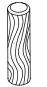


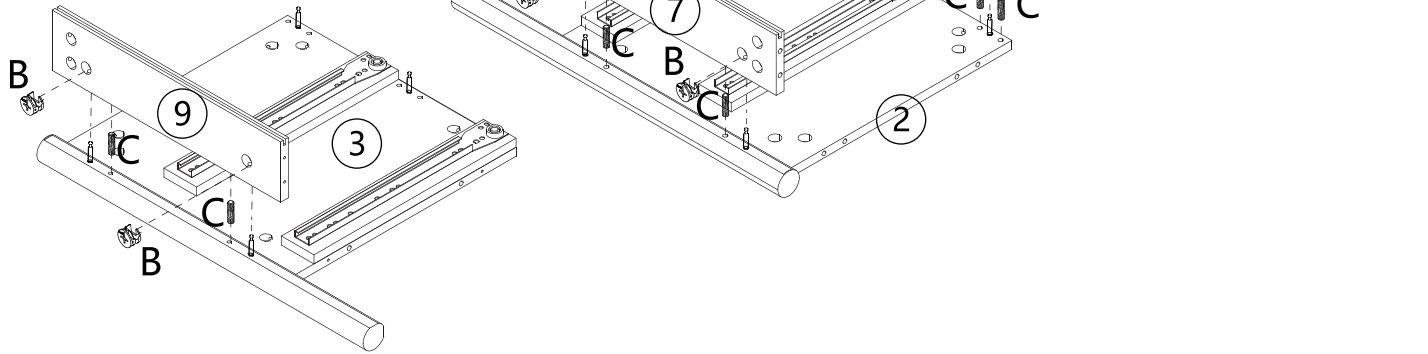
STEP4

H	X 8	CL	X 2
			
M3*12			
CR	X 2		
			


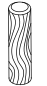


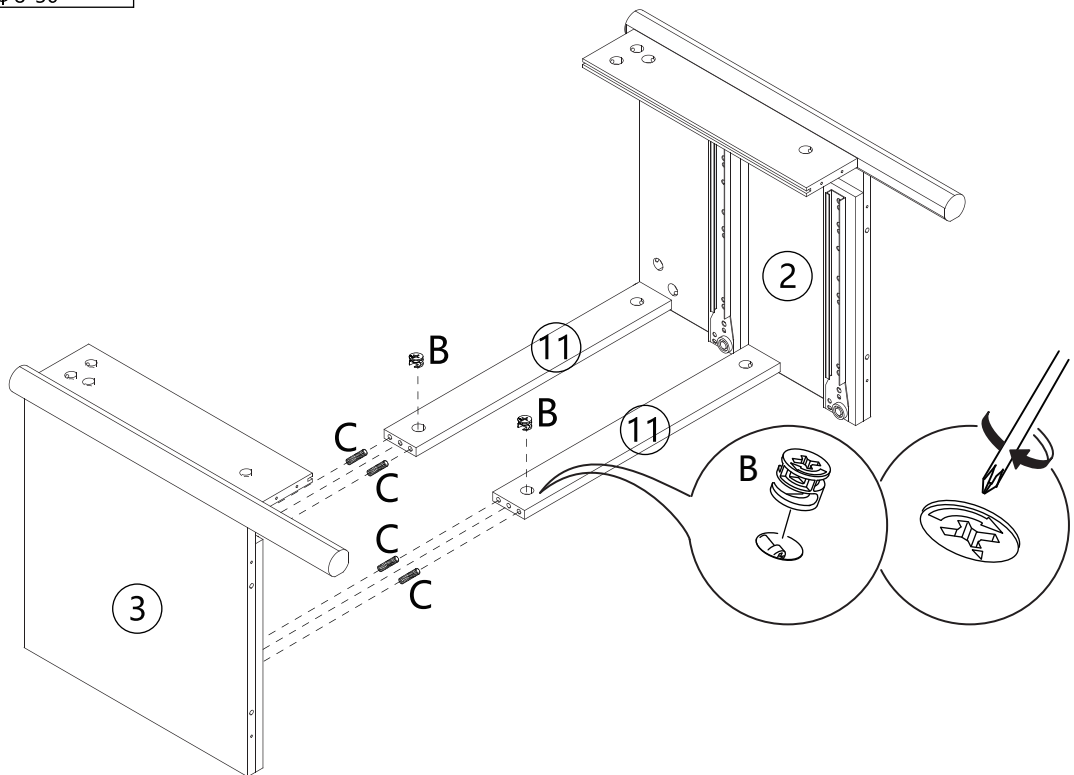
STEP5

B	X 6	C	X 8
			
$\phi 15 \times 10$		$\phi 8 \times 30$	





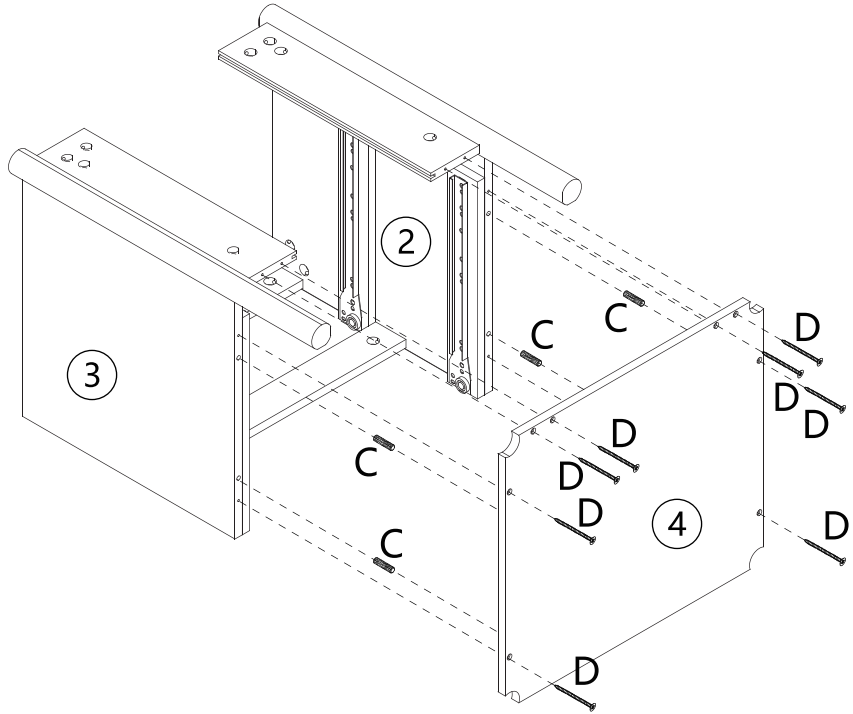
STEP6

B	X 2	C	X 4
			
$\phi 15 \times 10$		$\phi 8 \times 30$	

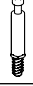


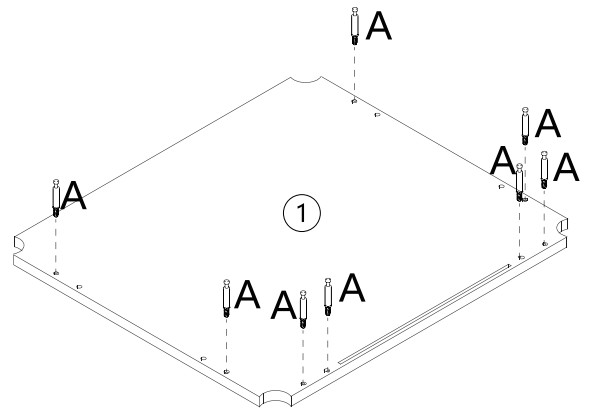
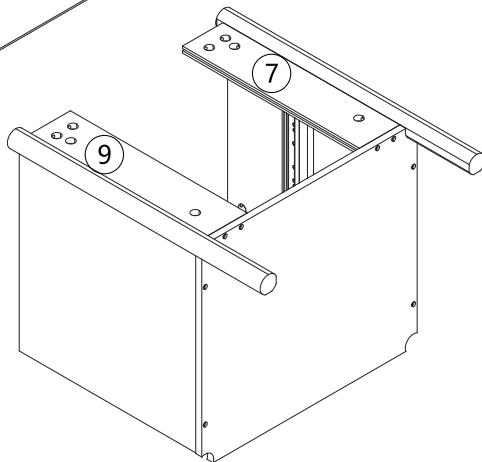
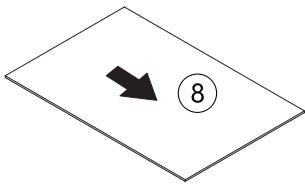
STEP 7

C	X 4	D	X 8
			
$\phi 8*30$		M4*35	





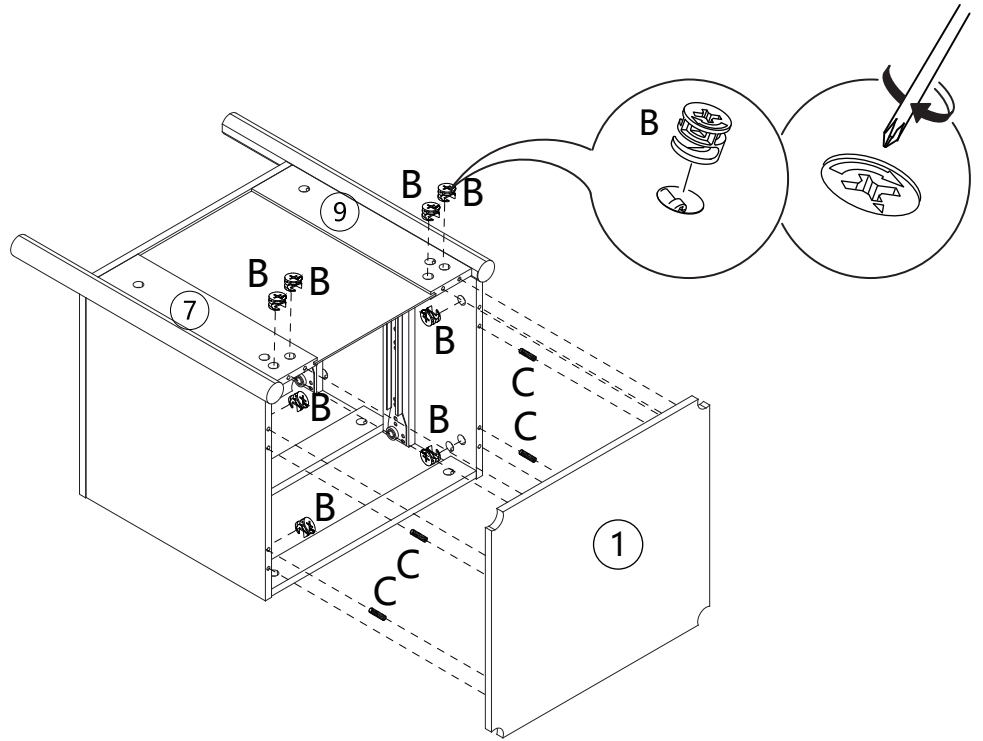
STEP 8

A	X 8
	
M6*35	






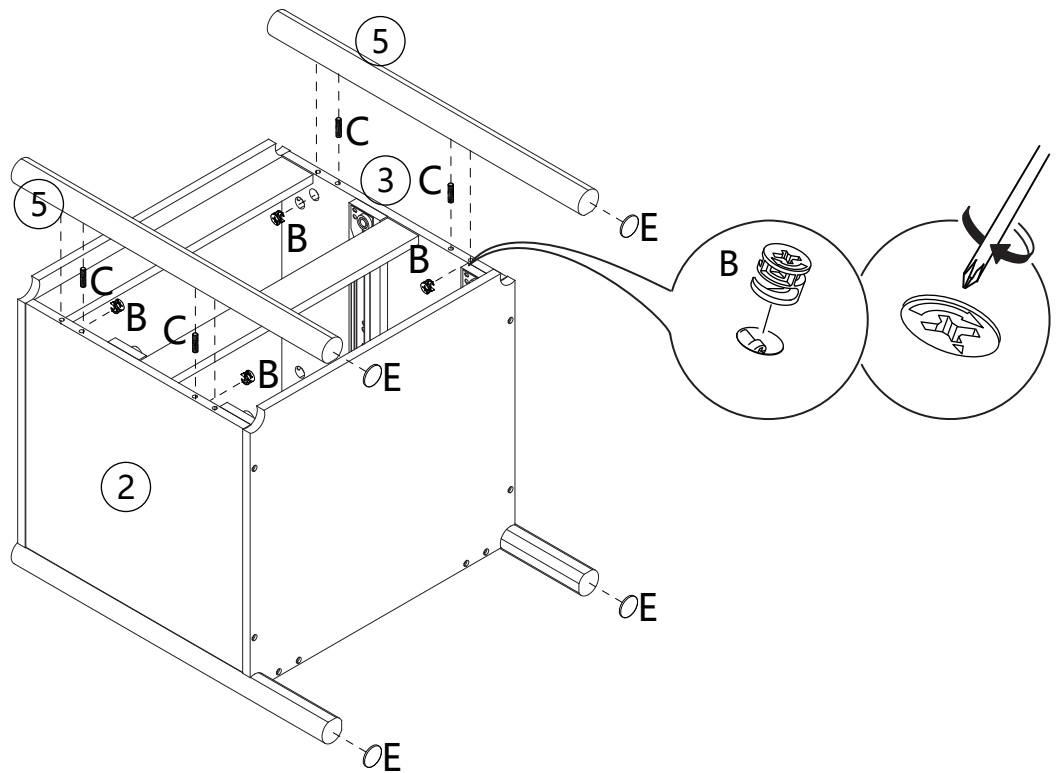
STEP9

B	X 8	C	X 4
			
$\phi 15 \times 10$		$\phi 8 \times 30$	




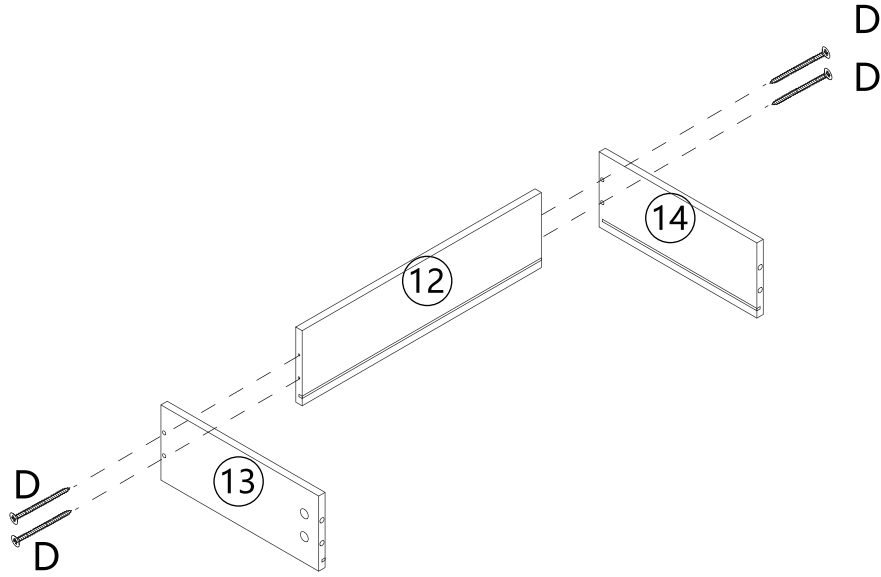
STEP10

B	X 4	C	X 4
			
$\phi 15 \times 10$		$\phi 8 \times 30$	
E	X 4		
			
$\phi 25 \times 3$			



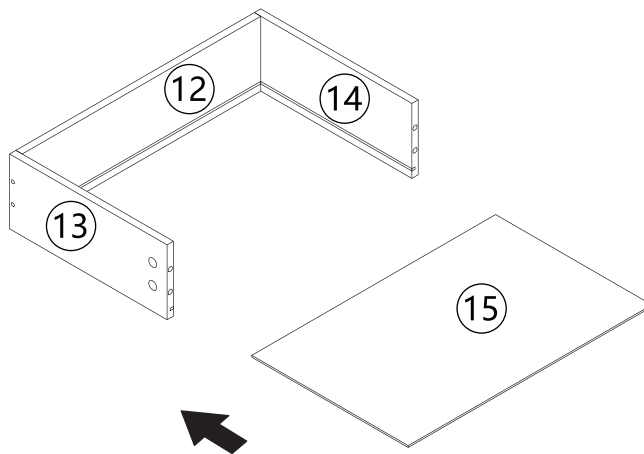
STEP11

D	X 8
	
M4*35	





X2

STEP12

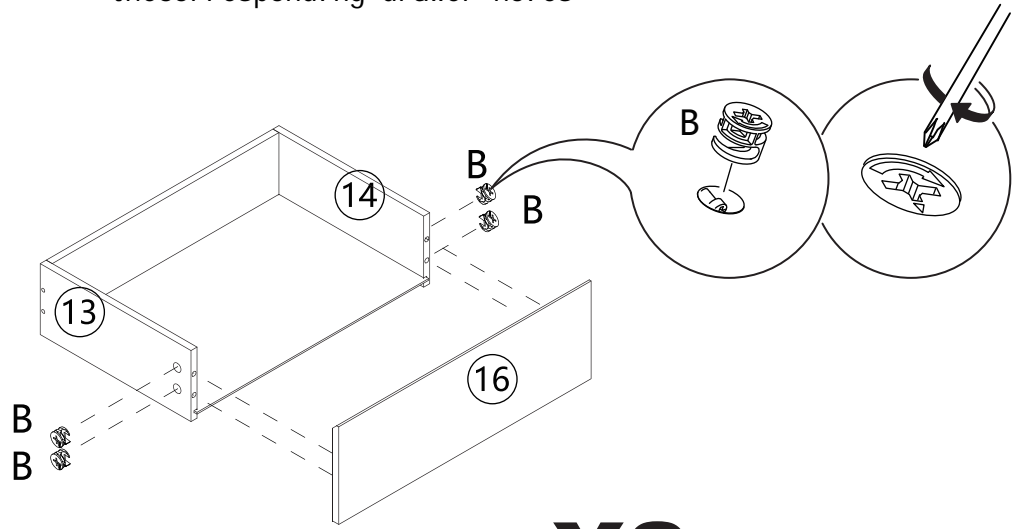
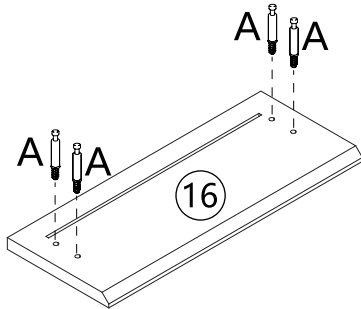


X2

STEP13




A	X 8	B	X 8
			
M6*35		φ15*10	

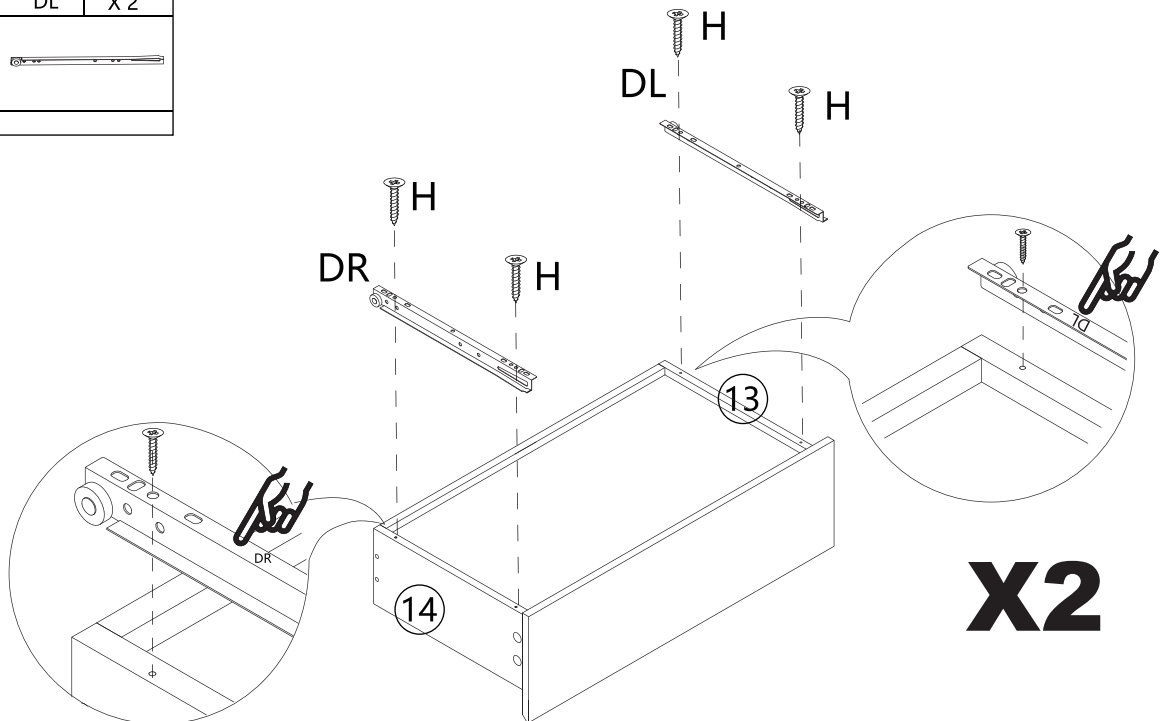
First, install screw A into the back holes of part #16. Then, align and part #16 into the corresponding drawer holes



X2

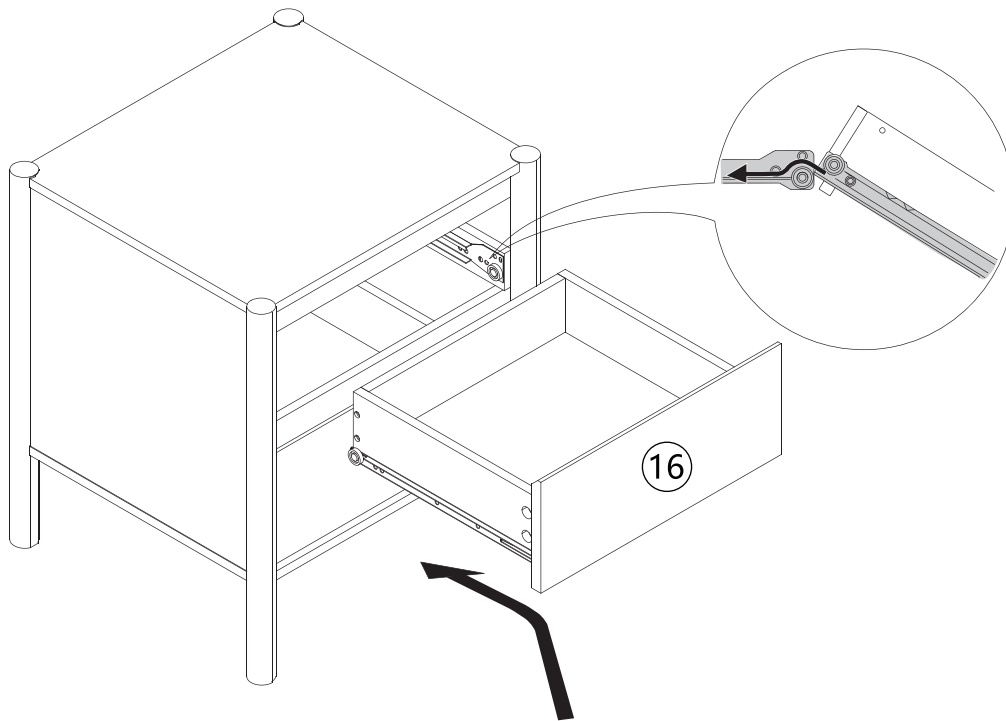
STEP14

H	X 8	DL	X 2
			
M3*12			
DR	X 2		
			





X2

STEP15



STEP16

F	X4	G	X4
			
M3*14			

