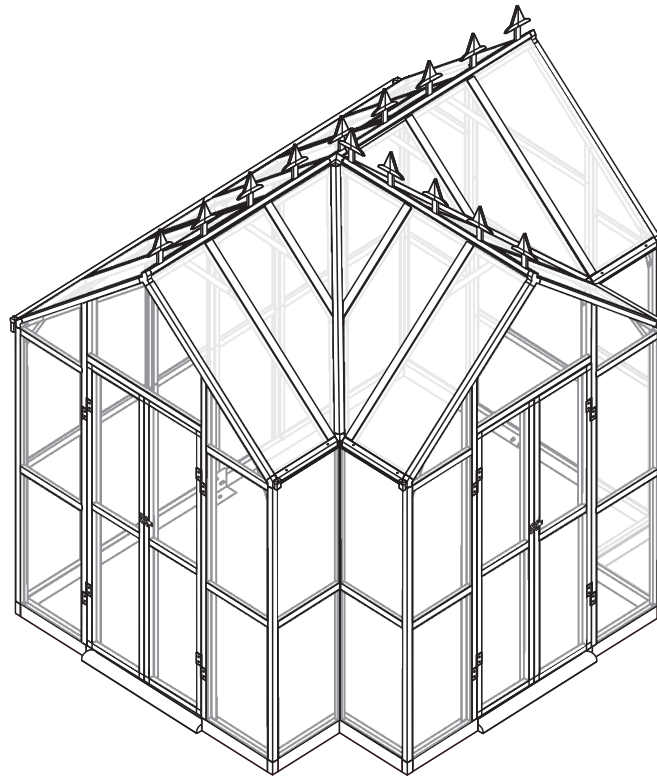


# ASSEMBLY INSTRUCTION

PC Greenhouse 12 10FT



## PRODUCT CONTAINS 4 BOXES:

BOX 1/4 (1007040229C)

BOX 2/4 (1007040230C)

BOX 3/4 (1007040231C)

BOX 4/4 (1007040232C)

Arrive in 4 separate boxes and may not be part of the same shipment;  
please install the product after receiving all the packages.

Quick & Easy Assembly

Requires two people and take 7-10 hours for installation.

Ridge Reinforced Walls

Available in Various Sizes

**WARNING: READ INSTRUCTION MANUAL BEFORE ATTEMPTING  
TO ASSEMBLE OR OPERATE THIS PRODUCT.**

Phone customer service: 901-347-2181

After-sale mail: [support@wepatio.com](mailto:support@wepatio.com) Any  
problems, please contact us.

We will help you within 24 hours.

27-09-2024

## CONTENTS

---

1. Contents	2
2. Precautions for installation	3-4
3. Part list	5-7
4. Base installation step	8-9
5. Wall installation steps	10-38
6. Roof installation steps	39-55
7. Door installation steps	56-57

# BEFORE YOU START

---

## Owner's Manual

Prior to installation, it is important that you contact your local government authority to determine if building approval is required. Study and understand this owner's manual.

Important information and helpful tips will make your construction easier and more enjoyable.

## Assembly instructions

Instructions are supplied in this manual and contain all appropriate information for your building model.

Review all instructions before you begin. During assembly, follow the step sequence carefully for correct results. Please be aware: **this unit takes two people about one full day to complete.**

## Parts

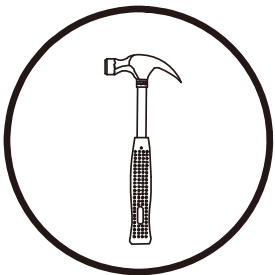
Check to be sure that you have all the necessary parts for the building.

Separate contents of the carton by the part number while reviewing parts list.

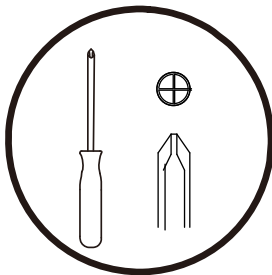
Familiarize yourself with the hardware and fasteners for easier use during construction. These are packaged within the carton. Note that extra fasteners have been supplied for your convenience.

## TOOLS MY REQUIRED

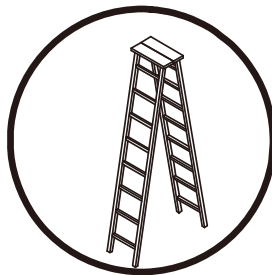
---



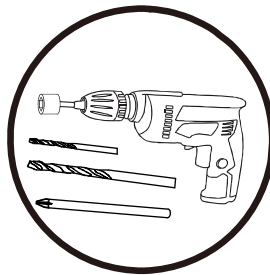
Hammer



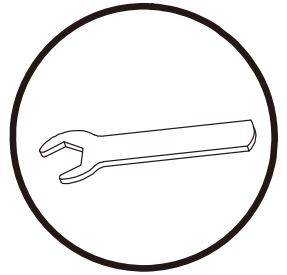
Screwdriver



Ladder



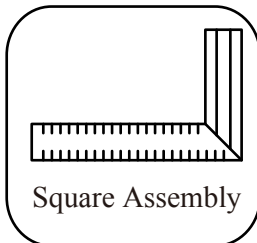
Electric screw driver



Wrench

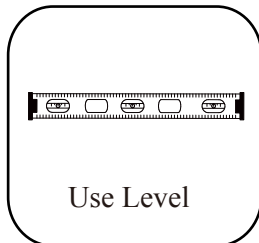


This identifies information that requires special attention. Improper assembly could lead to an unsafe or dangerous condition.



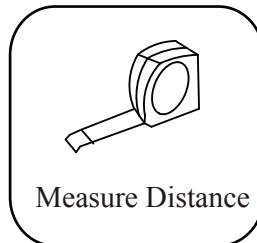
Square Assembly

Check that assembly is square before tightening bolts.

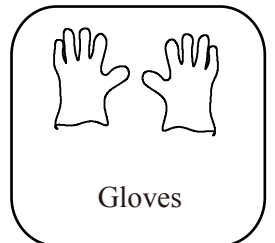


Use Level

Check that set or assembly is properly level before proceeding.



Measure Distance



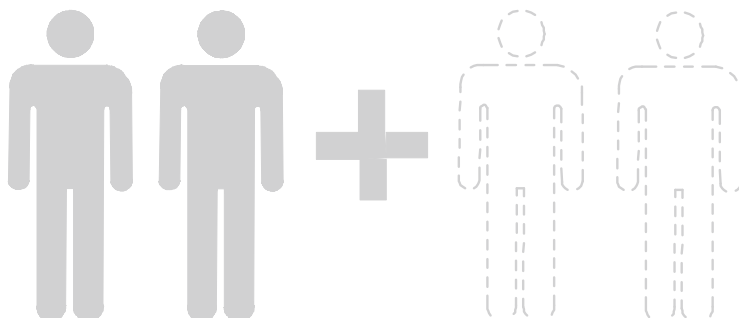
Gloves

## IMPORTANT

---

**How many people needed for the installation work**

**Requires two people and take 7-10 hours for installation.**



## **PLAN AHEAD**

---

### **Site Selection**

I Avoid overhanging trees as much as possible as leaves will make regular cleaning necessary and broken branches are a potential hazard.

I Small trees, bushes or fences nearby can be helpful, acting as a wind break.

### **Site Preparation**

The site must be prepared so that the base of the shed is level all round and checking with a spirit level is required.

The base can be constructed by treated timber or concrete, in order to stop the moisture getting into the shed.

**The shed is not designed to be built onto lawn directly.** Also the ground will get muddy during rainy days.

If a concrete pad is made, it is important that this slopes towards the edges to prevent water ingress.

Time must be allowed for any concrete or cement to dry before building the shed on top.

Bases can also be constructed from bricks, blocks, or mounted on a concrete pad.

The bricks or blocks should be cemented onto firm and level concrete footings and the greenhouse frame drilled and screwed to the base.

## **IMPORTANT NOTES:**

---

Find someone to help you: it is much easier with someone to hold parts, pass tool sect. Also some steps require two people to lift structures together. This is not very heavy work so would suit most able-bodied people.

Allow plenty of time: rushing often causes errors and the re-doing of incorrect assemblies. If you have never built a shed before, it can take most of a day to carefully complete the construction.

Have the right tools to hand.

Safety clothing as recommended in the 'Tools' section.

Ideally let out the parts and check that all are present before commencing construction. Lay on cloths or plastic sheets if there is any risk of scratching the parts.

Tighten all nuts carefully, being sure not to miss any. Check the frame is square and using a spirit level to check that it is upright.

For your safety concern, please do not stand under the metal shed in heavy wind or snow days.

For safety, please use expansion screws to reinforce the posts to the ground.

Please clear the snow off the roof in time for the heavy snowfall.

Make sure all screws are tightened before use.

Repeat to confirm all screws, buckles and straps every 90 days.

Please keep all screws loose during the assembly process and tighten them after completing the installation.

Do not use or store objects in the Metal Shed with open flames or flammable chemicals.

Please note that some parts have sharp edges and should be handled with gloves.

If any parts are missing, broken, damaged or worn, discontinue use of the product until repairs are made or factory replacement parts are installed.

Installation of the product in a manner that does not conform to the manufacturer's instructions may result in the loss of the warranty policy for this product.

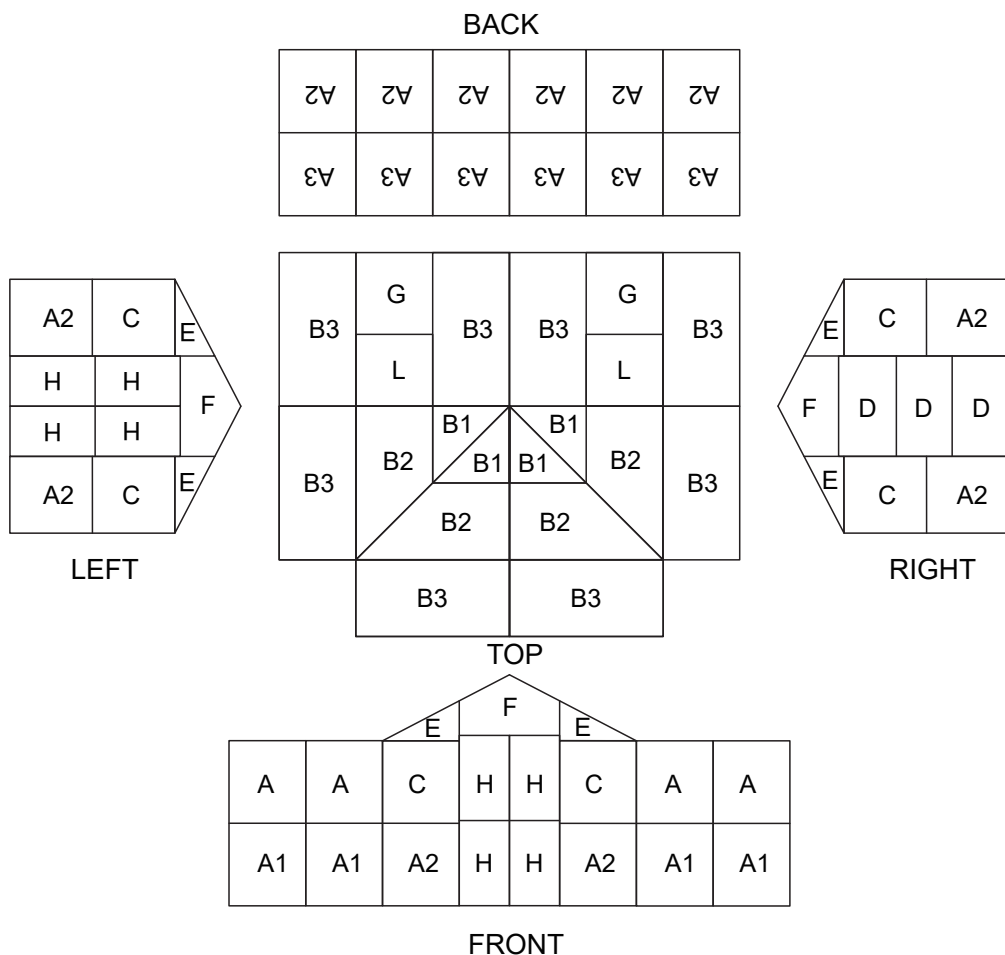
# Polycarbonate panels

## BOX 1

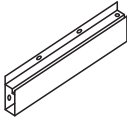
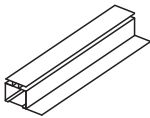

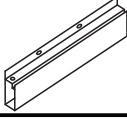
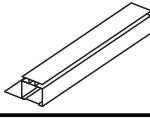
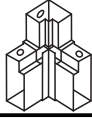
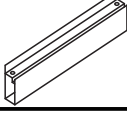
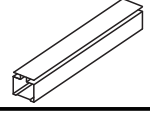
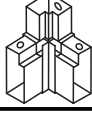
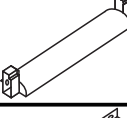
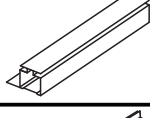

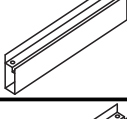
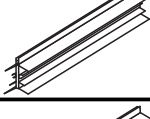
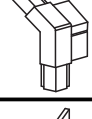
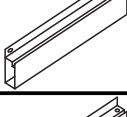
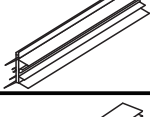
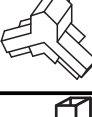
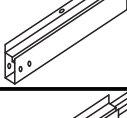
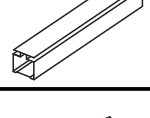

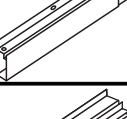
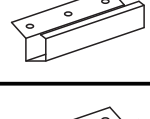
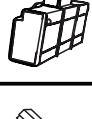
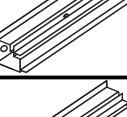
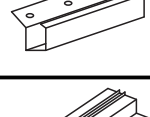
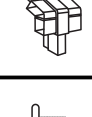
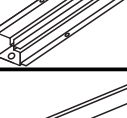
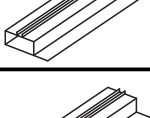
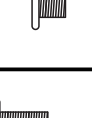
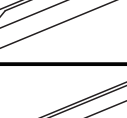
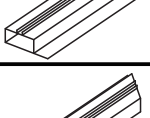

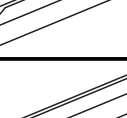
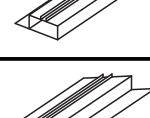
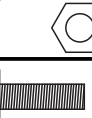

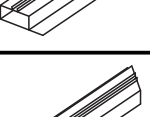

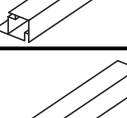
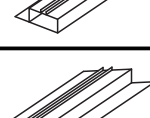

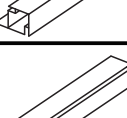
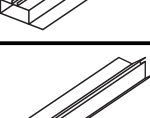
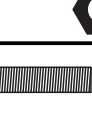
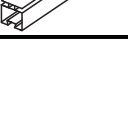


No.	Picture	Qty.	Size
A		4	86.5*63
A1		4	85*63
B1		4	64.6*55.4 1.25*1
B2		4	133.8*66.9 60*2.1
B3		8	133.8*60
D		3	111.2*62.7
E		6	59.7*37.6 *3.7*1
F		3	111.2*48.8 *17*1
G		2	71*60
L		2	60*57

## BOX 2





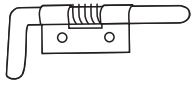

No.	Picture	Qty.	Size
A2		12	85*59.7
A3		6	86.5*59.7
C		6	82.3*59.7
H		8	93.5*50



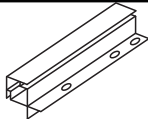
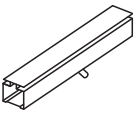
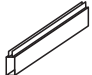
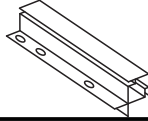
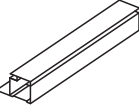

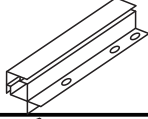
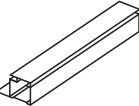
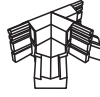
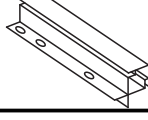
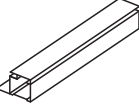

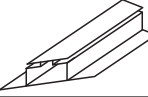
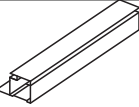

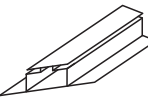
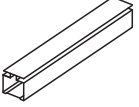

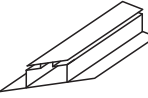
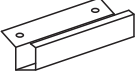

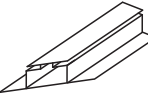
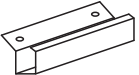

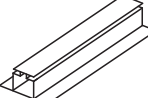
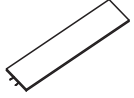
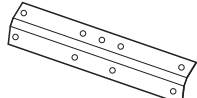
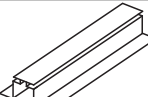
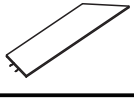

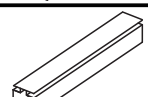
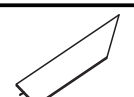

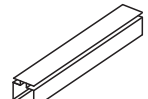
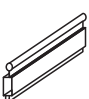
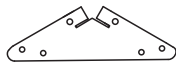
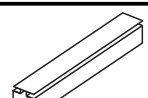

# BOX 3

No.	Picture	Qty.	Size	No.	Picture	Qty.	Size	No.	Picture	Qty.	Size
1		1	180.3	16A		2	131.8	32		6	
2		1	180.3	16B		2	131.8	32A		1	
2A		4	61.8	18		3	110	32B		1	
3A		2	109.8	19		2	110	33A		3	
3B		2	61	20		2	176.7	33B		3	
3C		2	61	20A		1	176.7	34		3	
4A		1	116.1	24		8	48.8	35		6	
4B		1	116.1	27C		1	181	38		1	
5E		1	170	27D		1	181	39		1	
5F		1	170	28A		2	131.8	37		16	M6*7
6		2	180.3	28B		2	131.8	40		8	M4*12
6A		2	61.8	28C		1	67.7	41		23	M6*9
6B		2	61.8	28D		1	67.7	41A		1	M6*26
8		3	130.8	28E		1	67.7	42		190	M6*12
9		3	130.8	28F		1	67.7	44		6	M6*26
15		1	131.8	30		2	170.4	45		2	M6*35

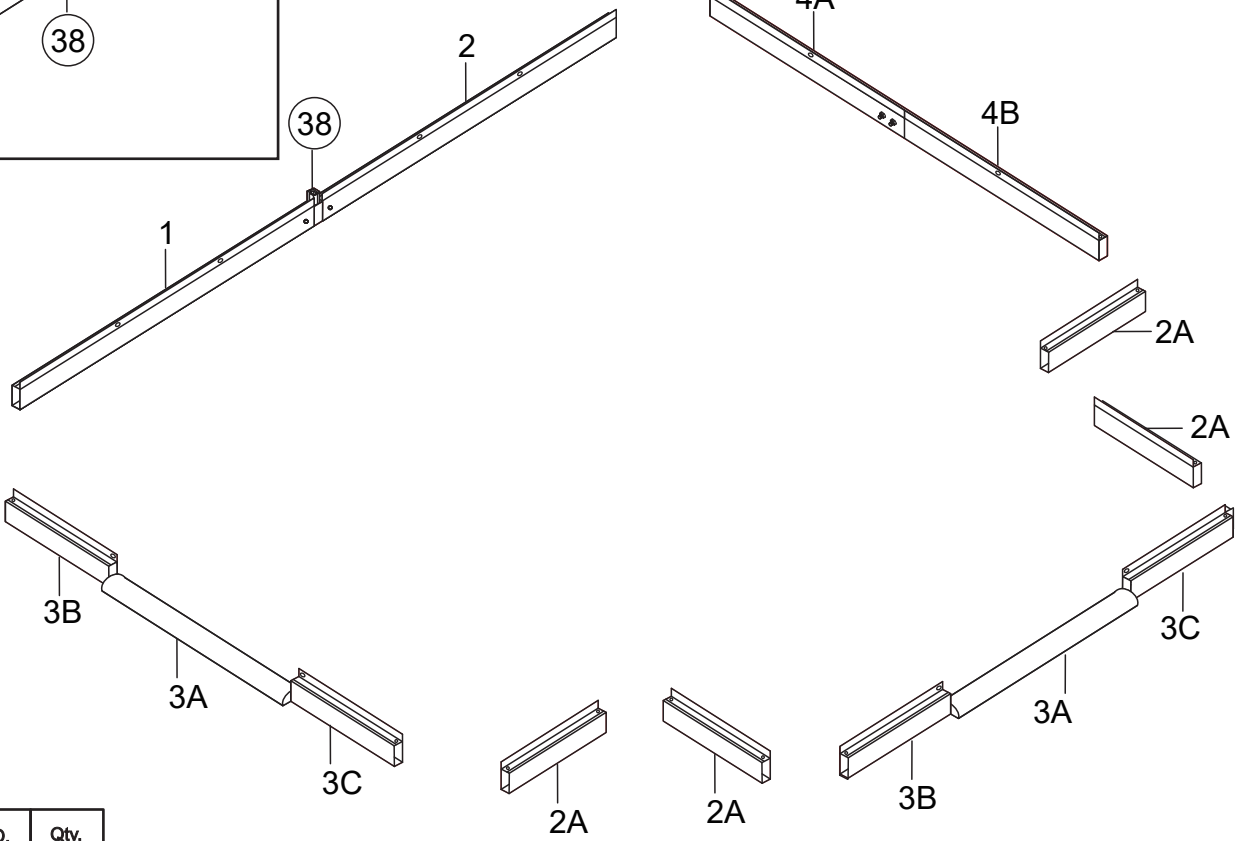
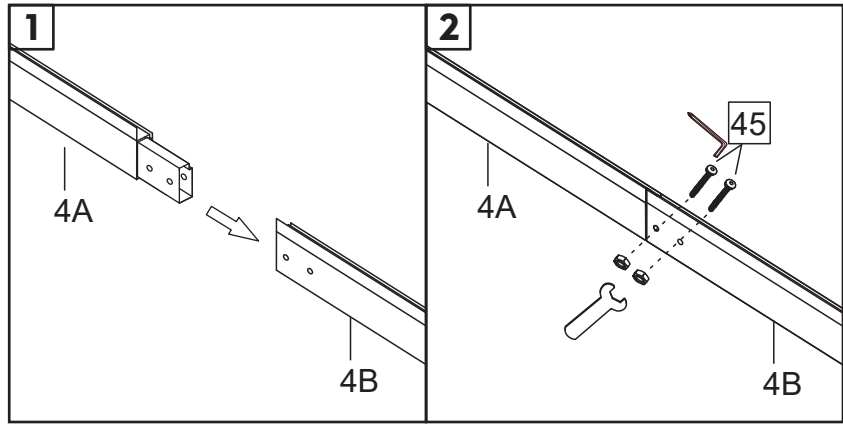
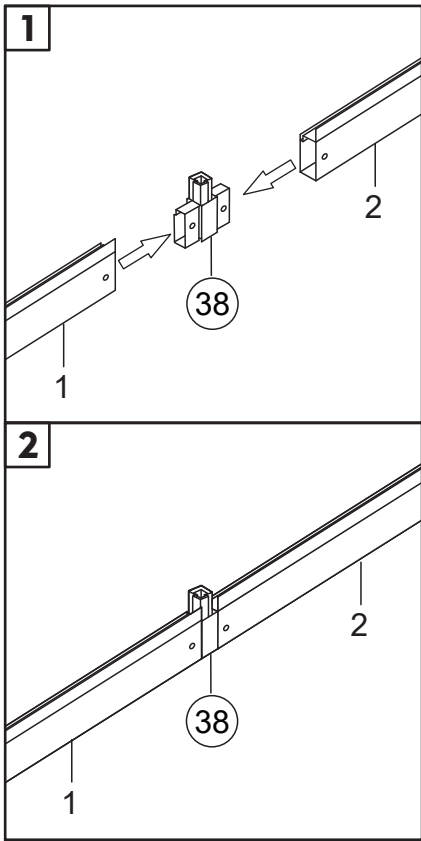
# BOX 3

No.	Picture	Qty.	Size	No.	Picture	Qty.	Size	No.	Picture	Qty.	Size
35A		1		56		4	M4*10			1	
45A		10	M6*60	57		2				1	

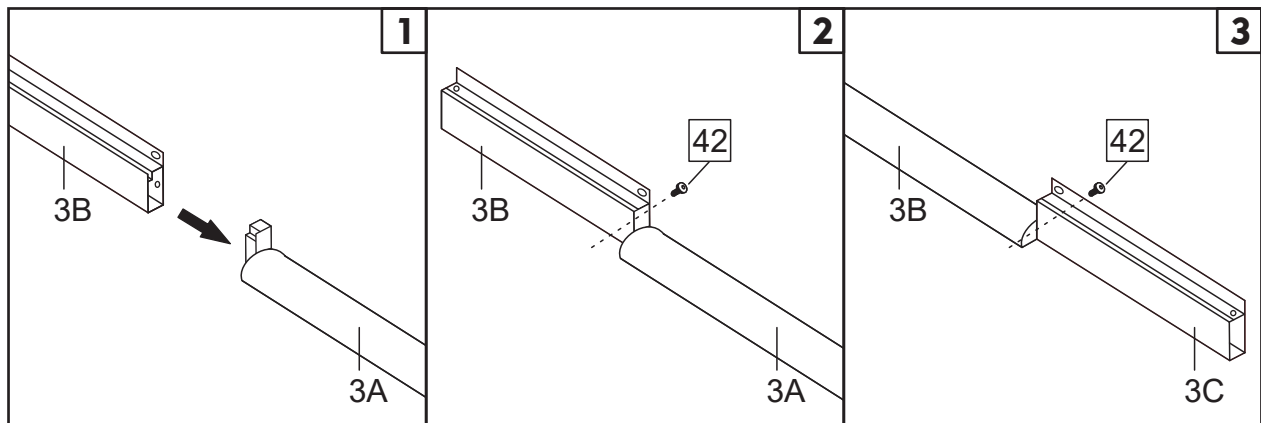
# BOX 4

No.	Picture	Qty.	Size	No.	Picture	Qty.	Size	No.	Picture	Qty.	Size
5A		2	170	21		2	58.4	30C		4	56
5B		2	170	22A		2	187.1	33C		2	
5C		1	170	22B		2	187.1	34A		1	
5D		1	170	23A		2	187.1	46		6	20
10		2	208	23B		2	187.1	46A		5	60
11		2	208	25		4	48.8	48		1	
12		1	208	27A		2	62.6	48A		6	
13		1	208	27B		2	62.6	49		1	
14		4	170	29A		4	132	50		1	140
14A		1	170	29B		2	65.6	51		7	18
14B		4	61.7	29C		2	65.6	51A		7	
14C		6	58.4	30A		2	59	55A		3	
17		12	58.5	30B		2	59				

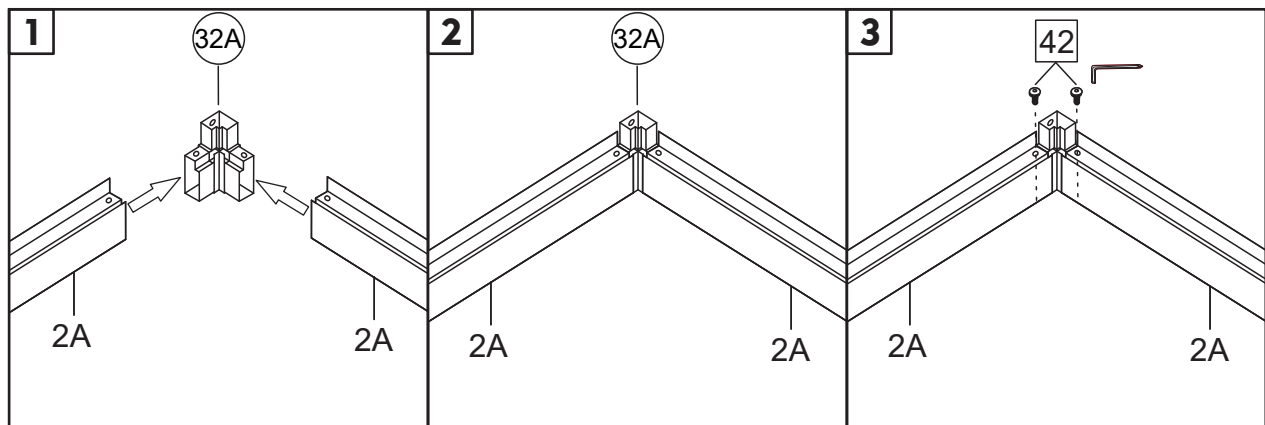
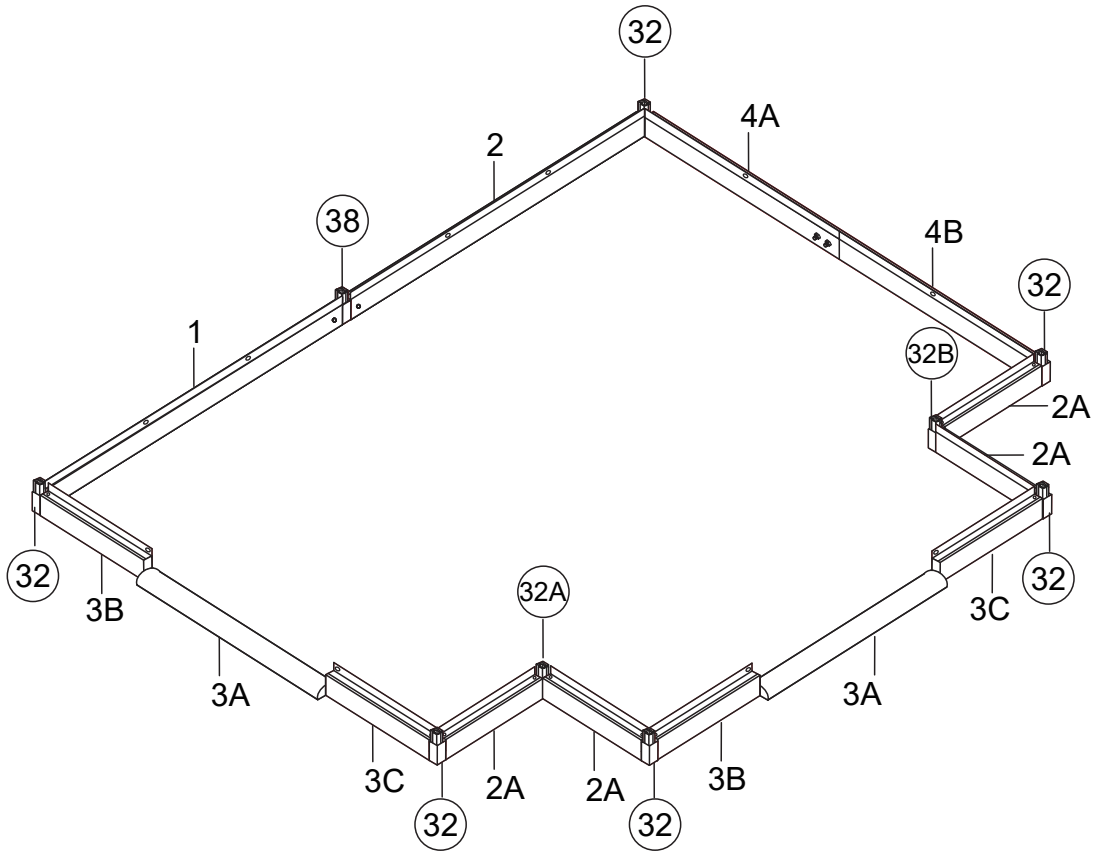
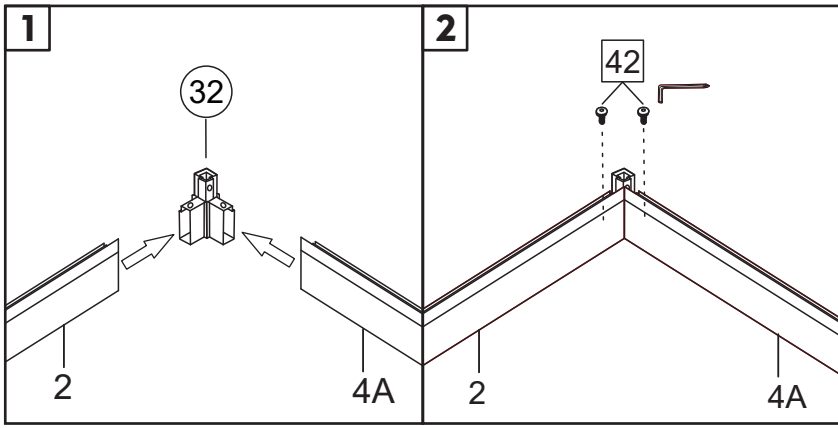
# Step 1



Picture	NO.	Qty.
	1	1
	2	1
	2A	4
	3A	2
	3B	2
	3C	2
	4A	1
	4B	1
	38	1
	42	4
	45	2

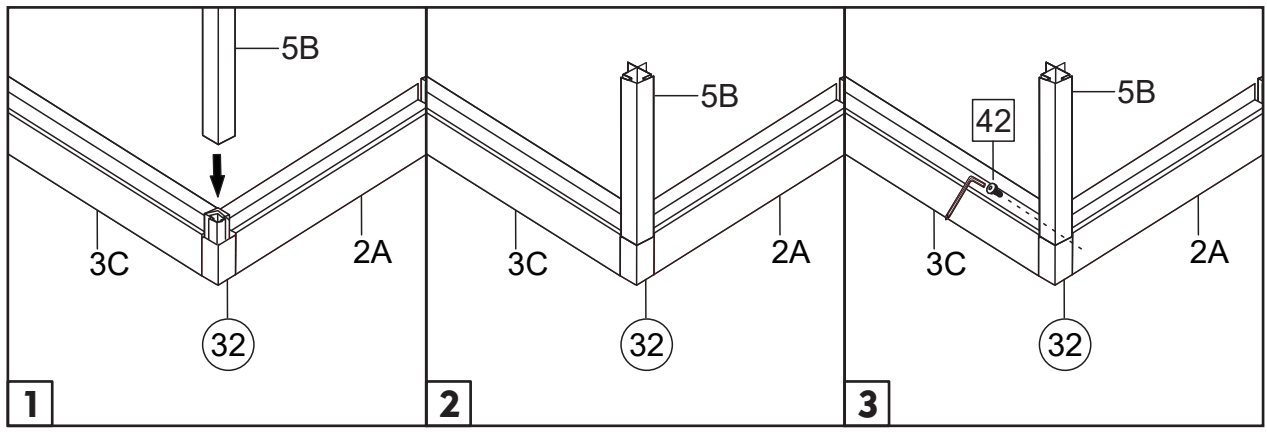
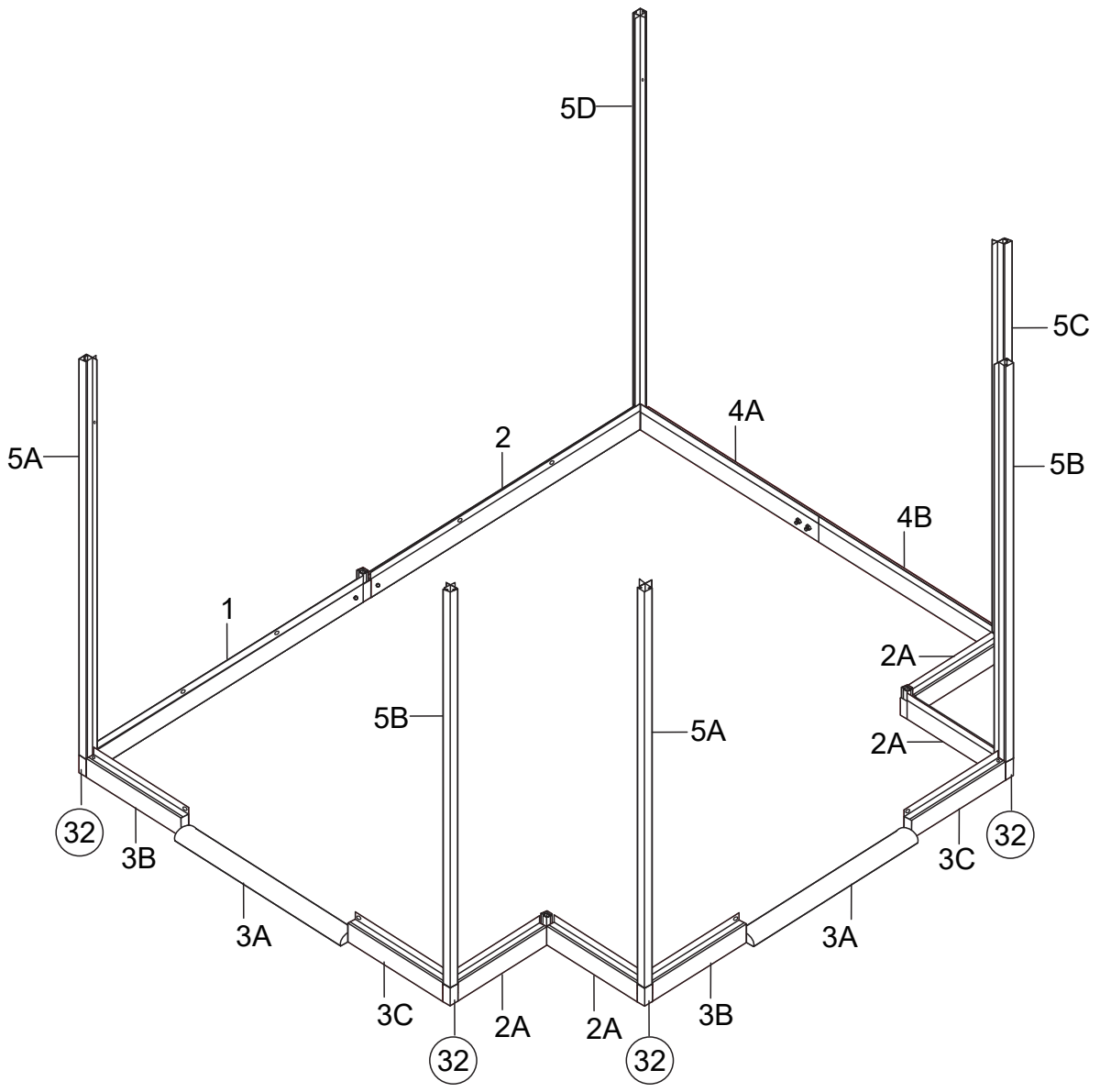
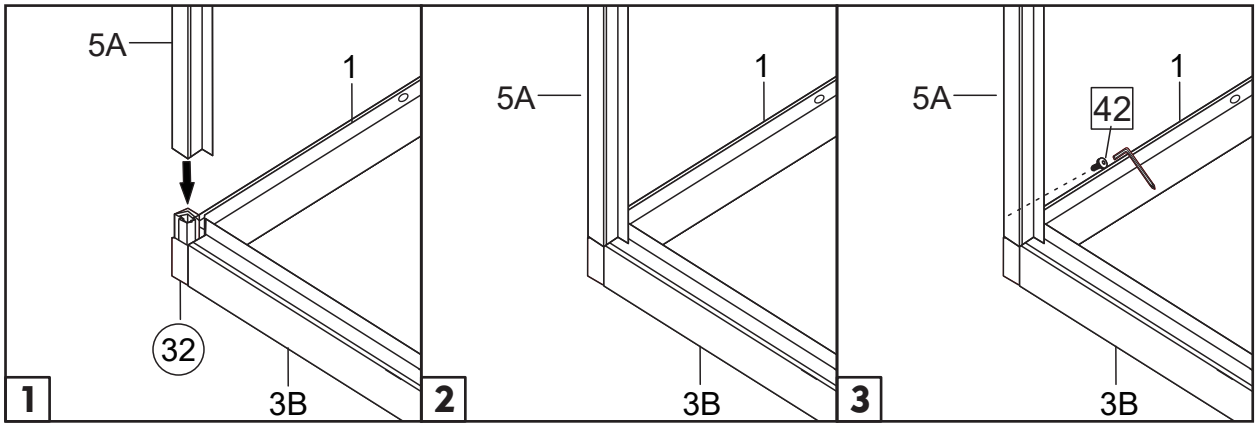


# Step 2



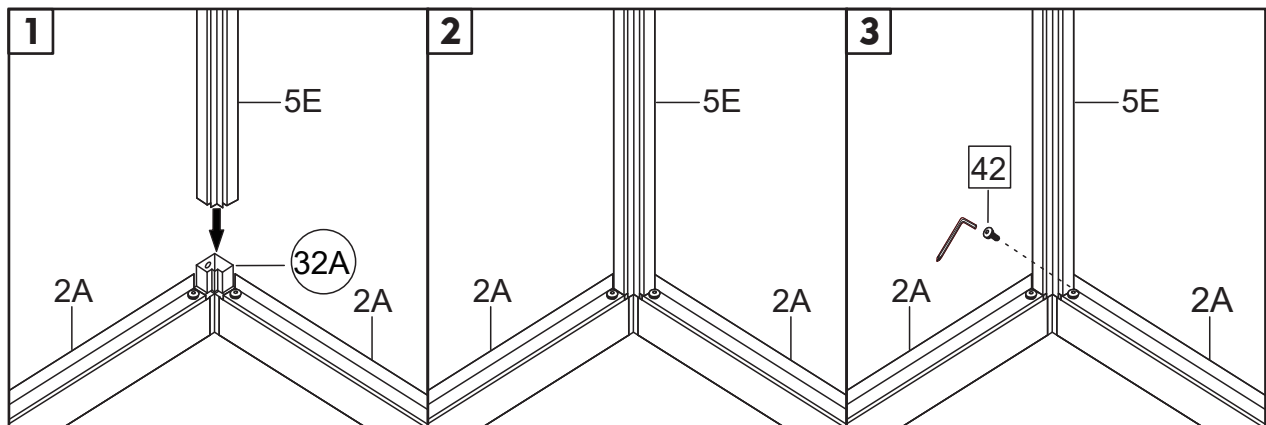
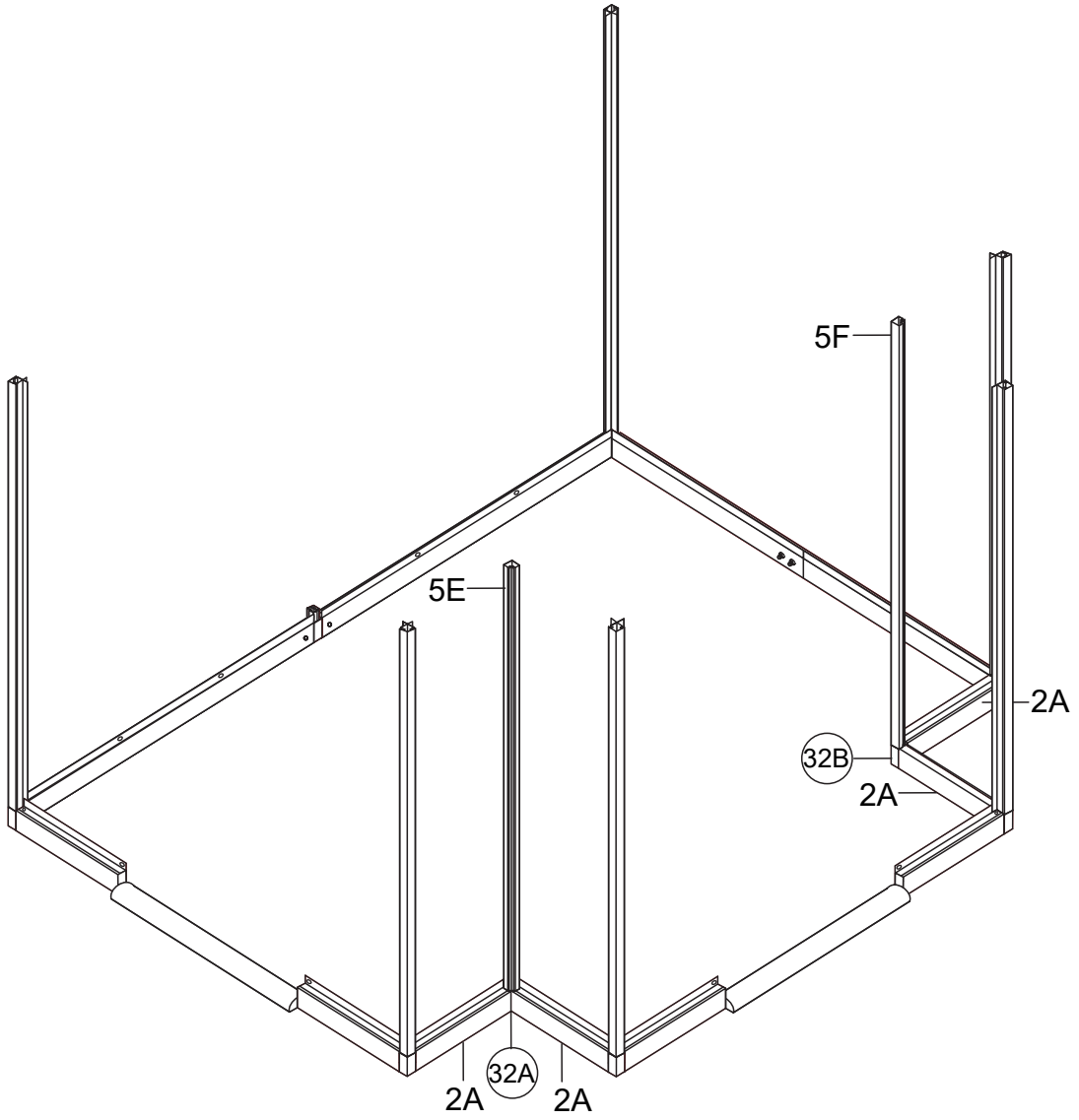
Picture	NO.	Qty.
	32	6
	32A	1
	32B	1
	42	16

# Step 3



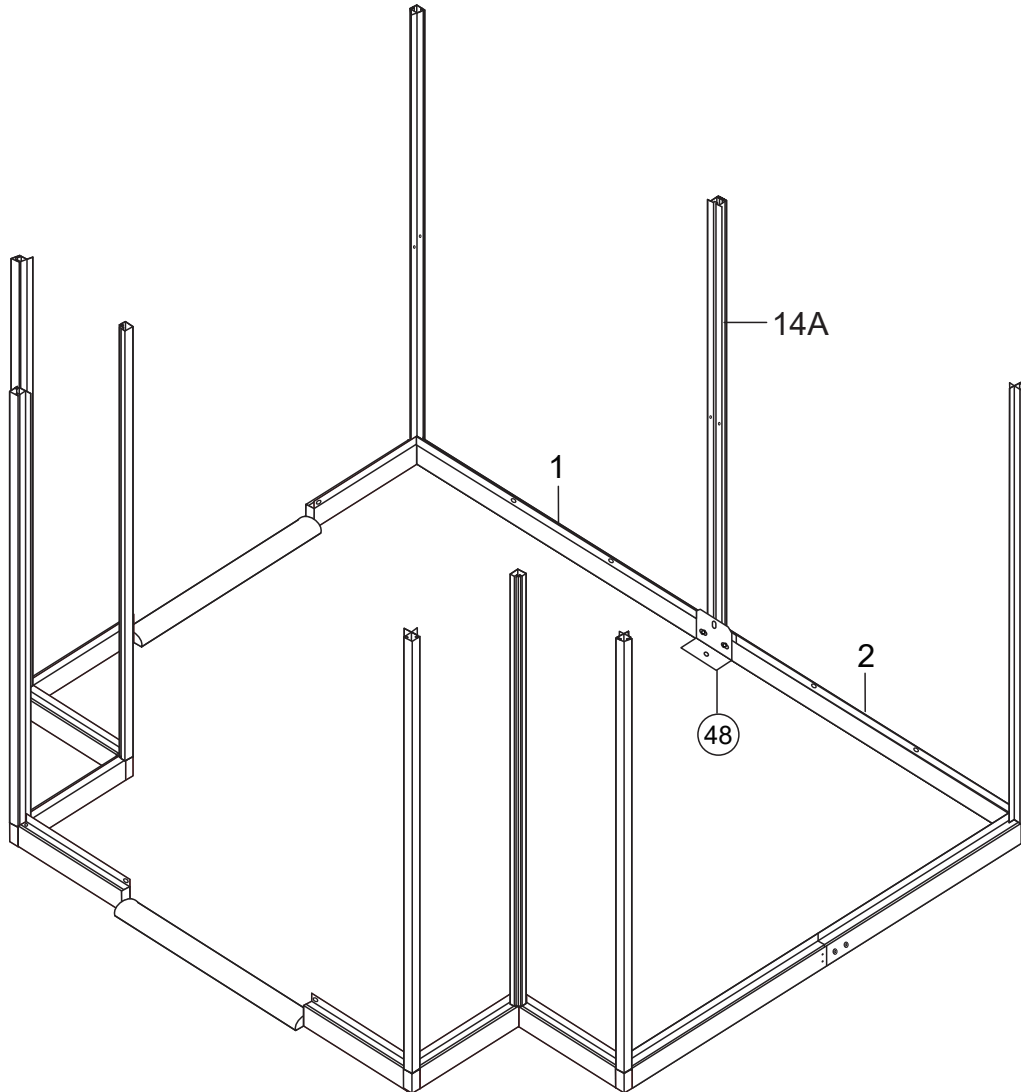
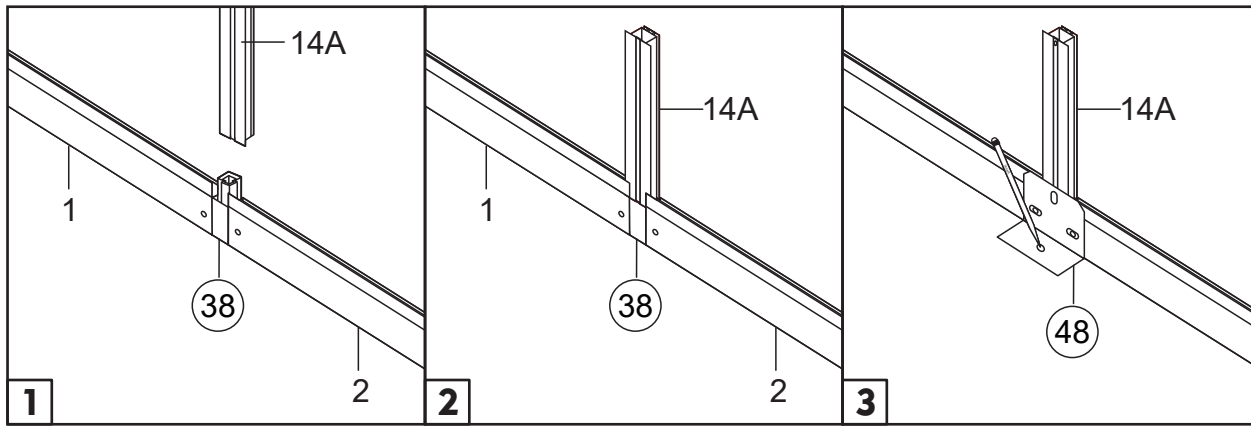
Picture	NO.	Qty.
	5A	2
	5B	2
	5C	1
	5D	1
	42	6

# Step 4



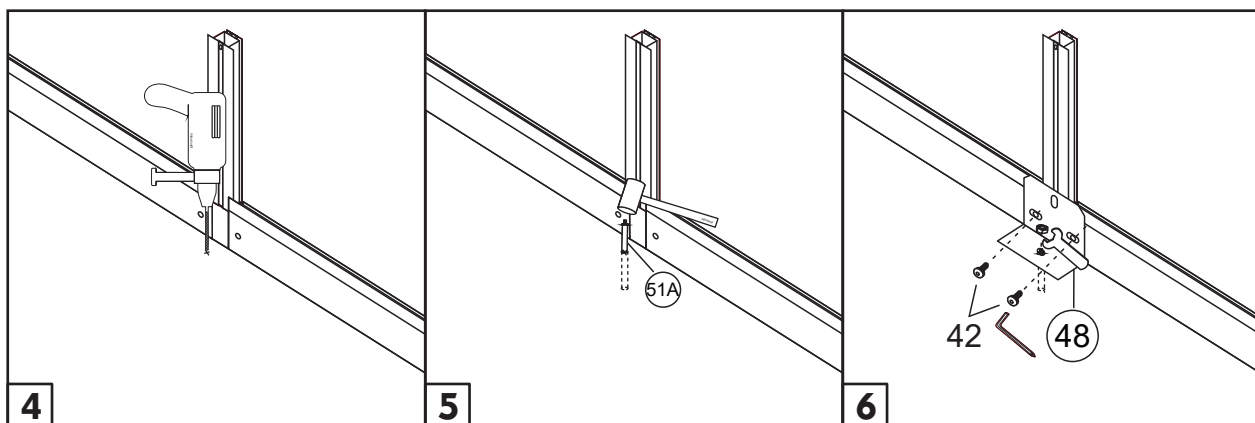
Picture	NO.	Qty.
	5E	1
	5F	1
	42	2

# Step 5

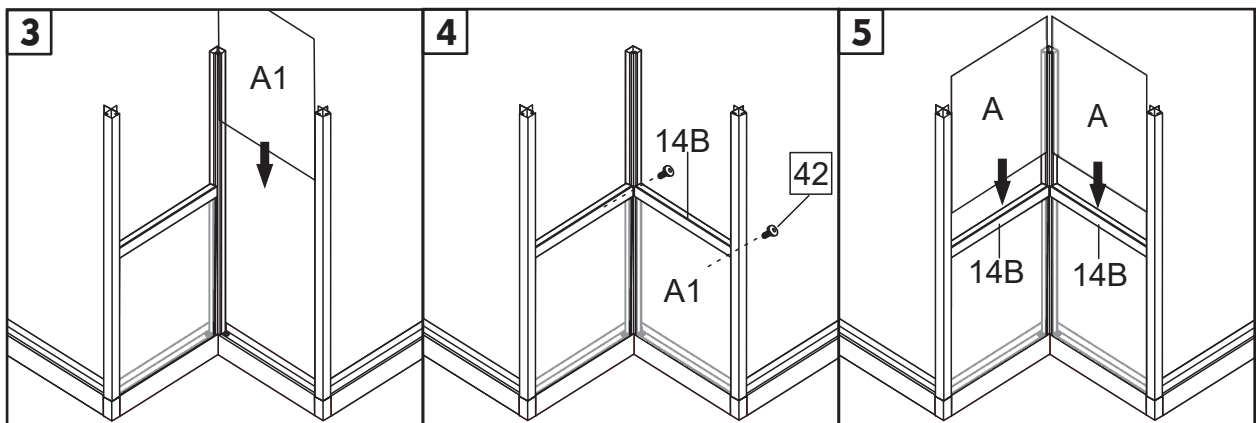
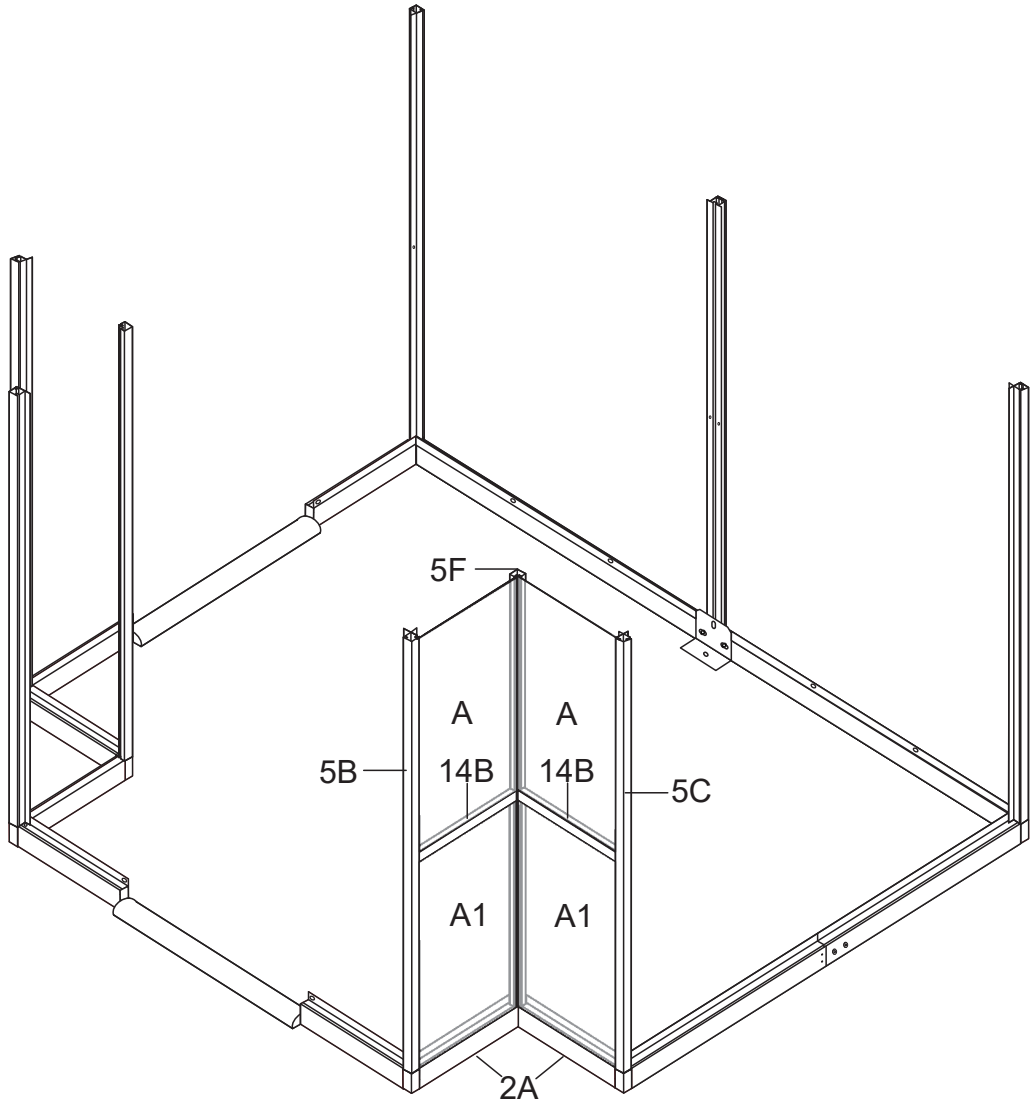
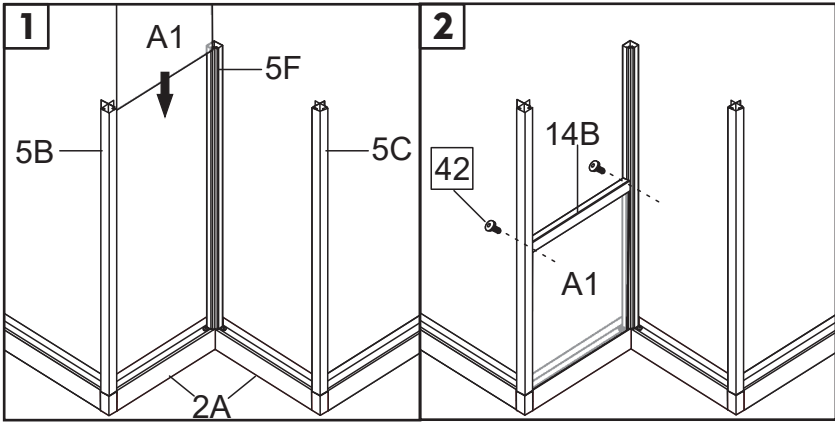


Use 51# ground spikes on lawns.  
Use 51A# Expansion Screws on Hard Surfaces.

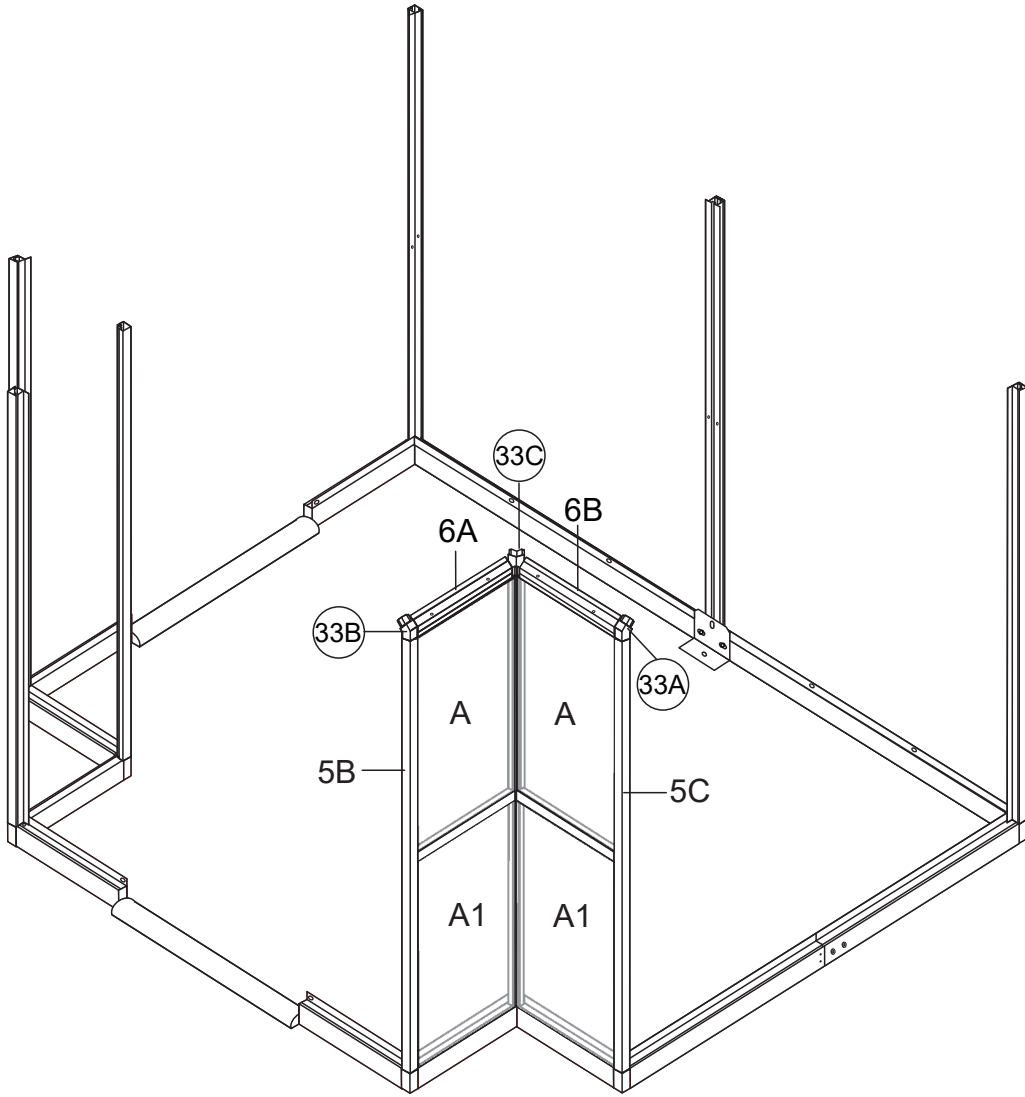
Picture	NO.	Qty.
	14A	1
	42	2
	48	1
	51A	1



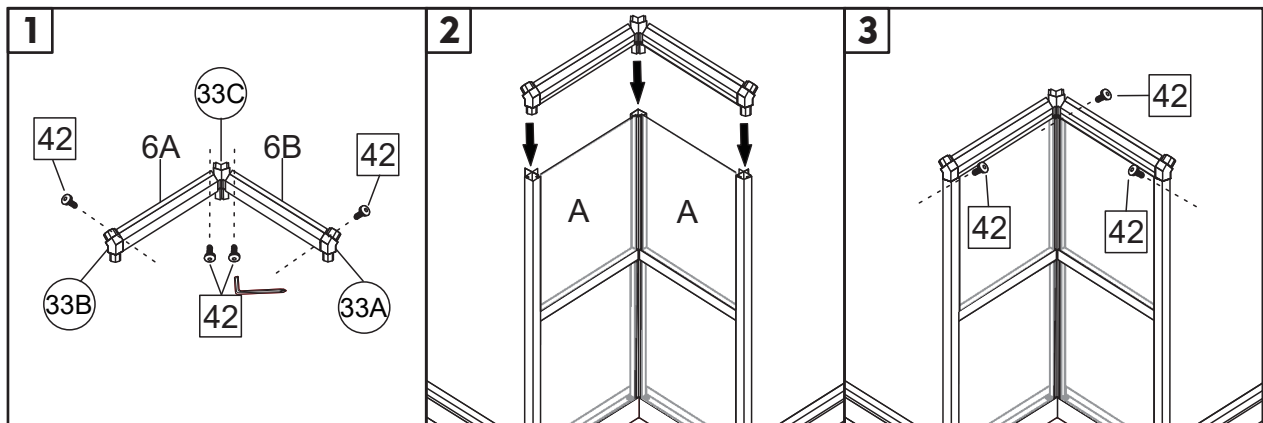
# Step 6



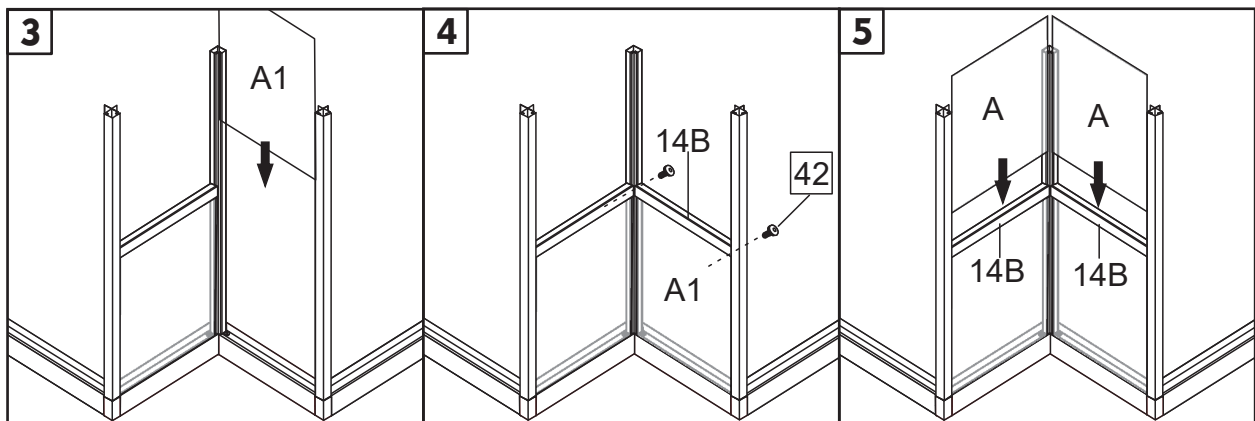
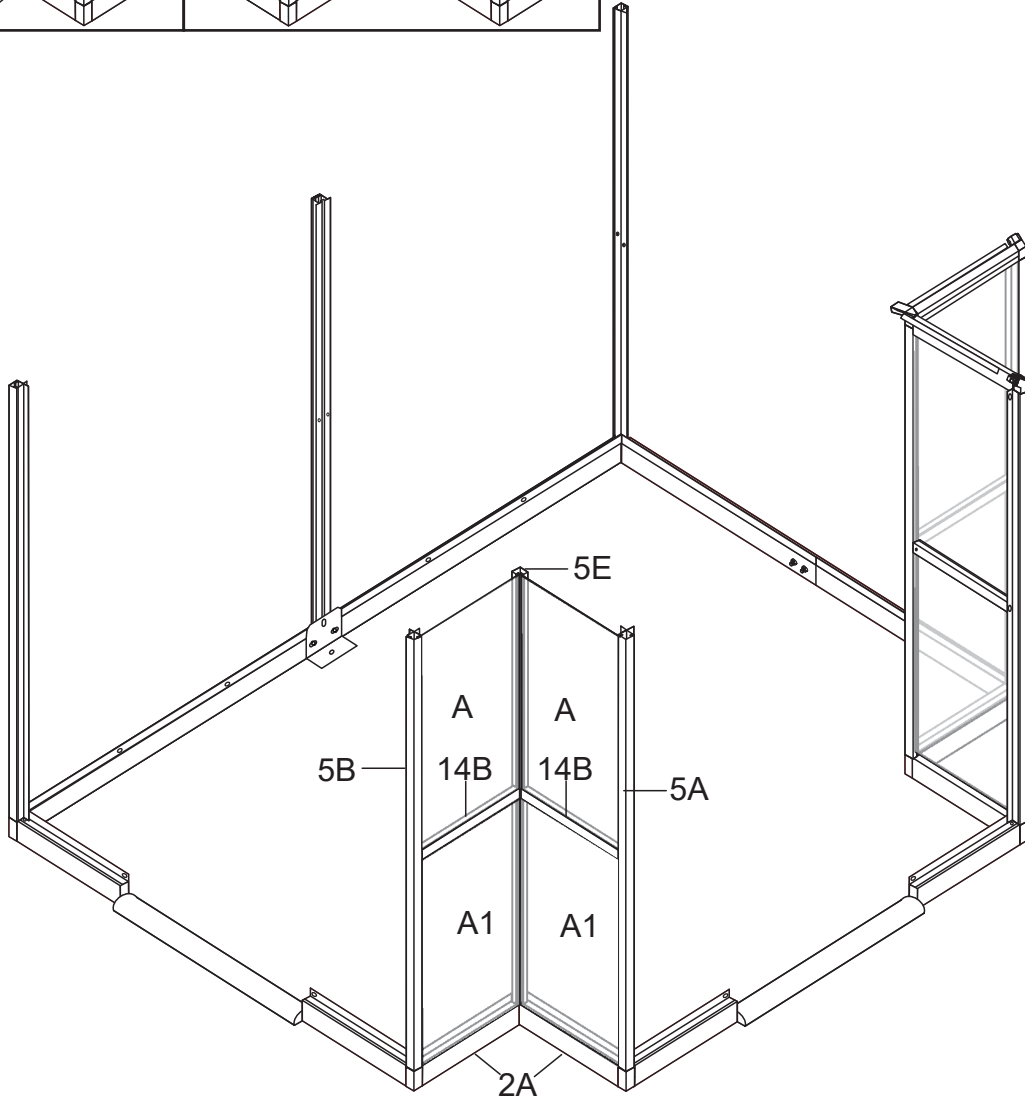
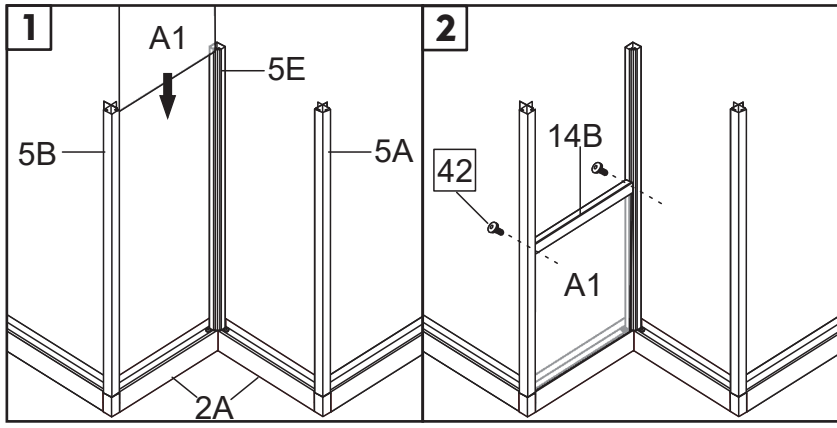
Picture	NO.	Qty.
	14B	2
	42	4
	A1	2
	A	2



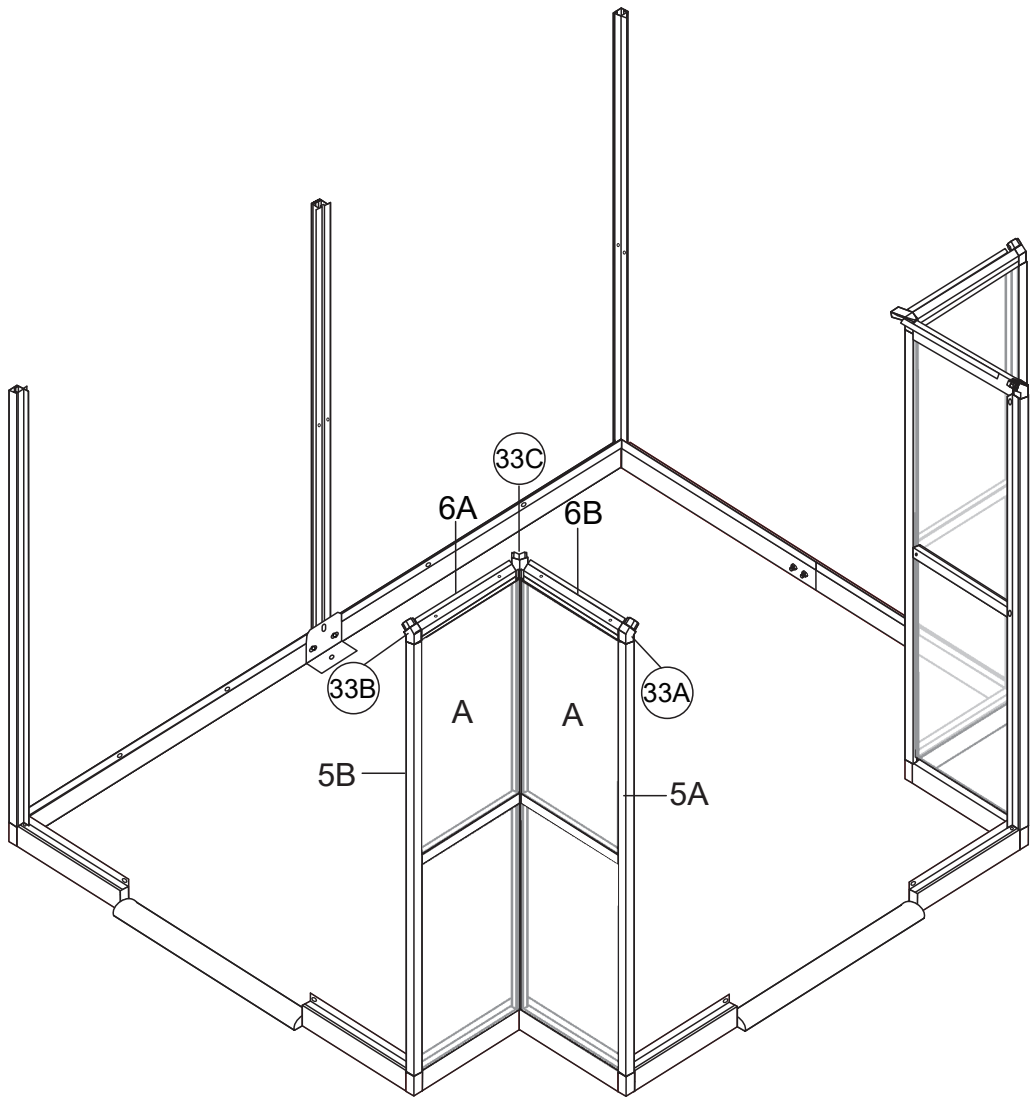
Picture	NO.	Qty.
	6A	1
	6B	1
	33A	1
	33B	1
	33C	1
	42	7









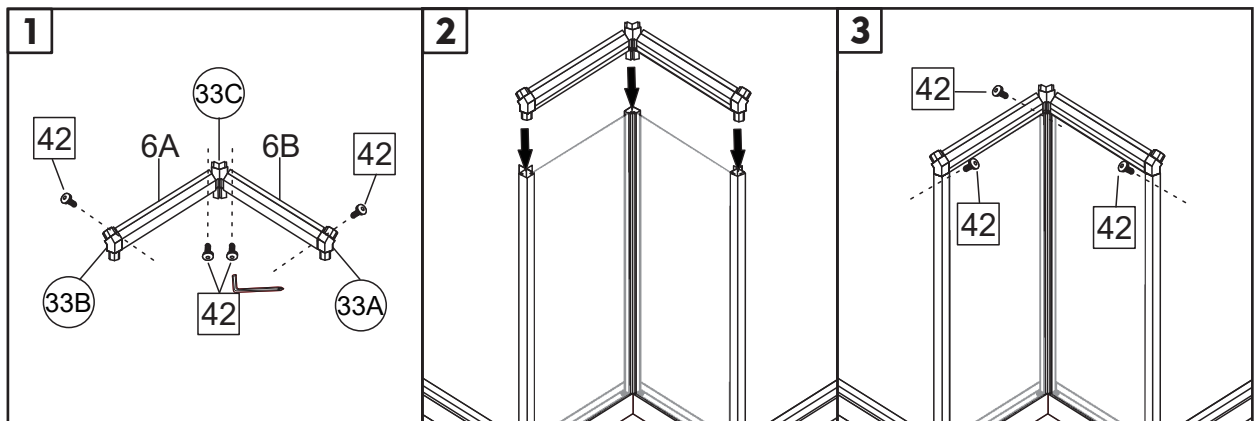
# Step 8



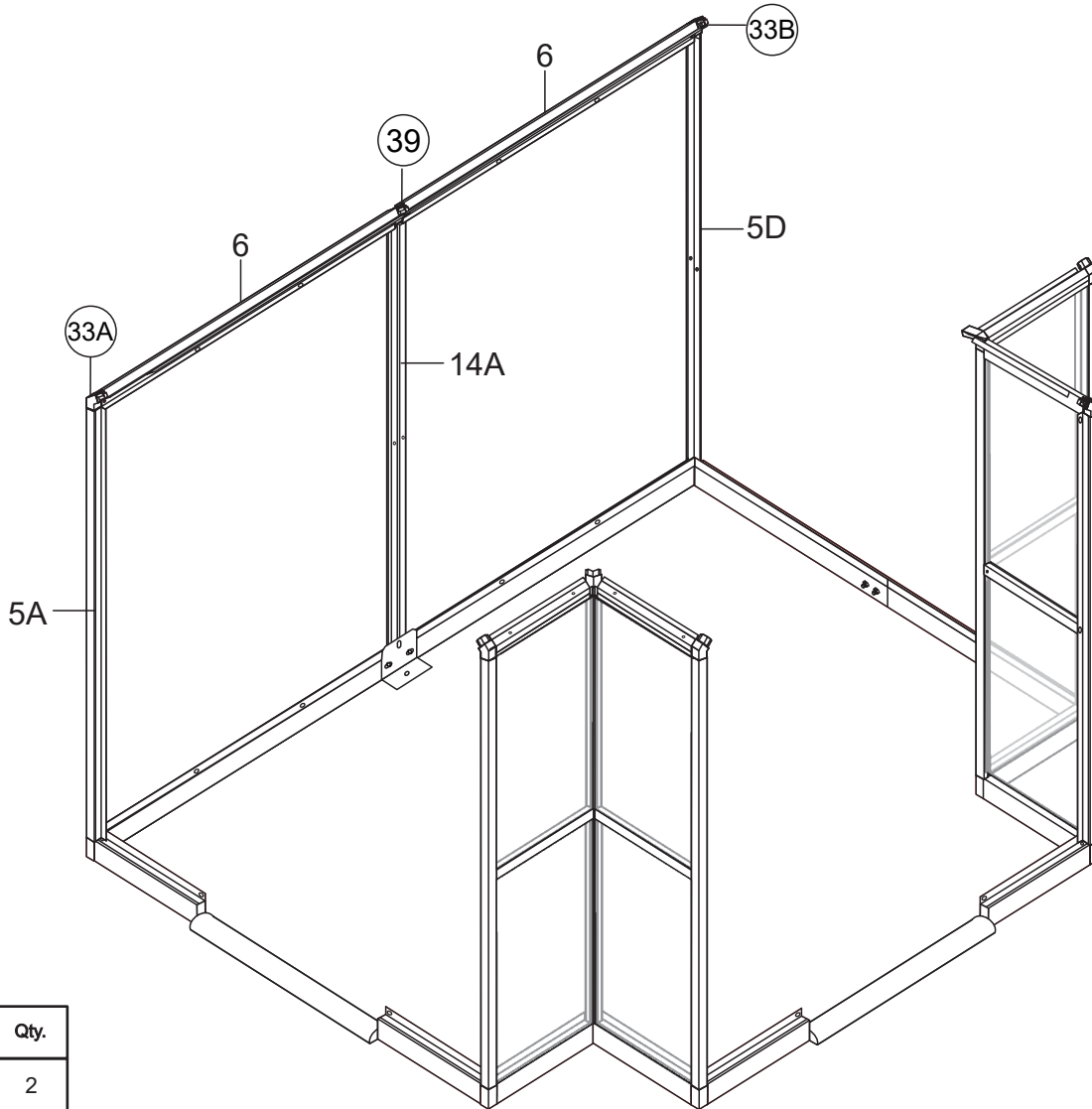
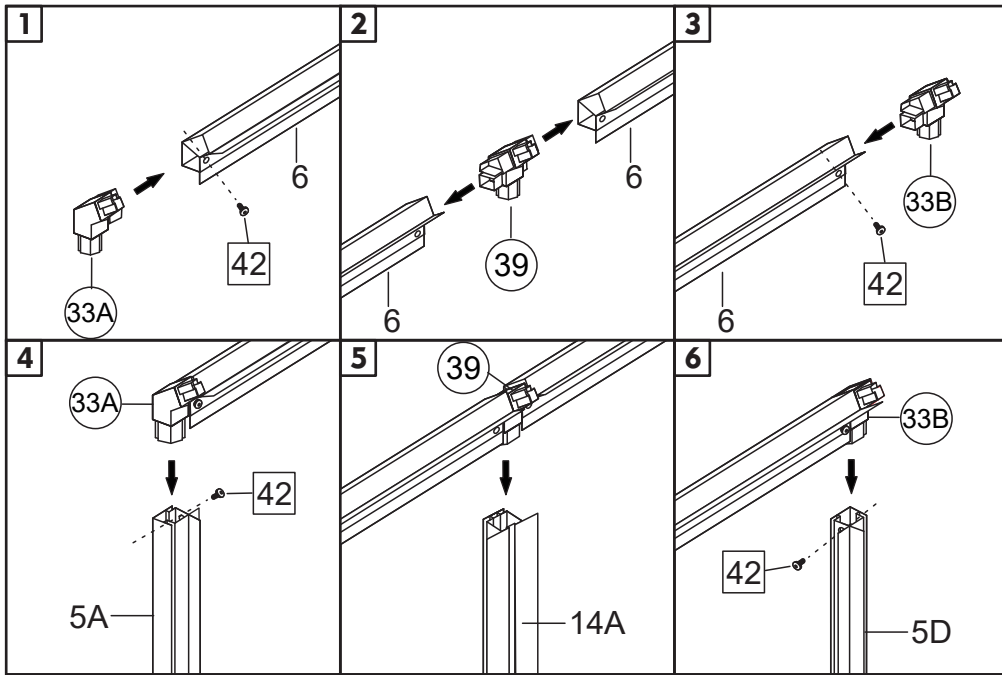
Picture	NO.	Qty.
	14B	2
	42	4
	A1	2
	A	2



Picture	NO.	Qty.
	6A	1
	6B	1
	33A	1
	33B	1
	33C	1
	42	7

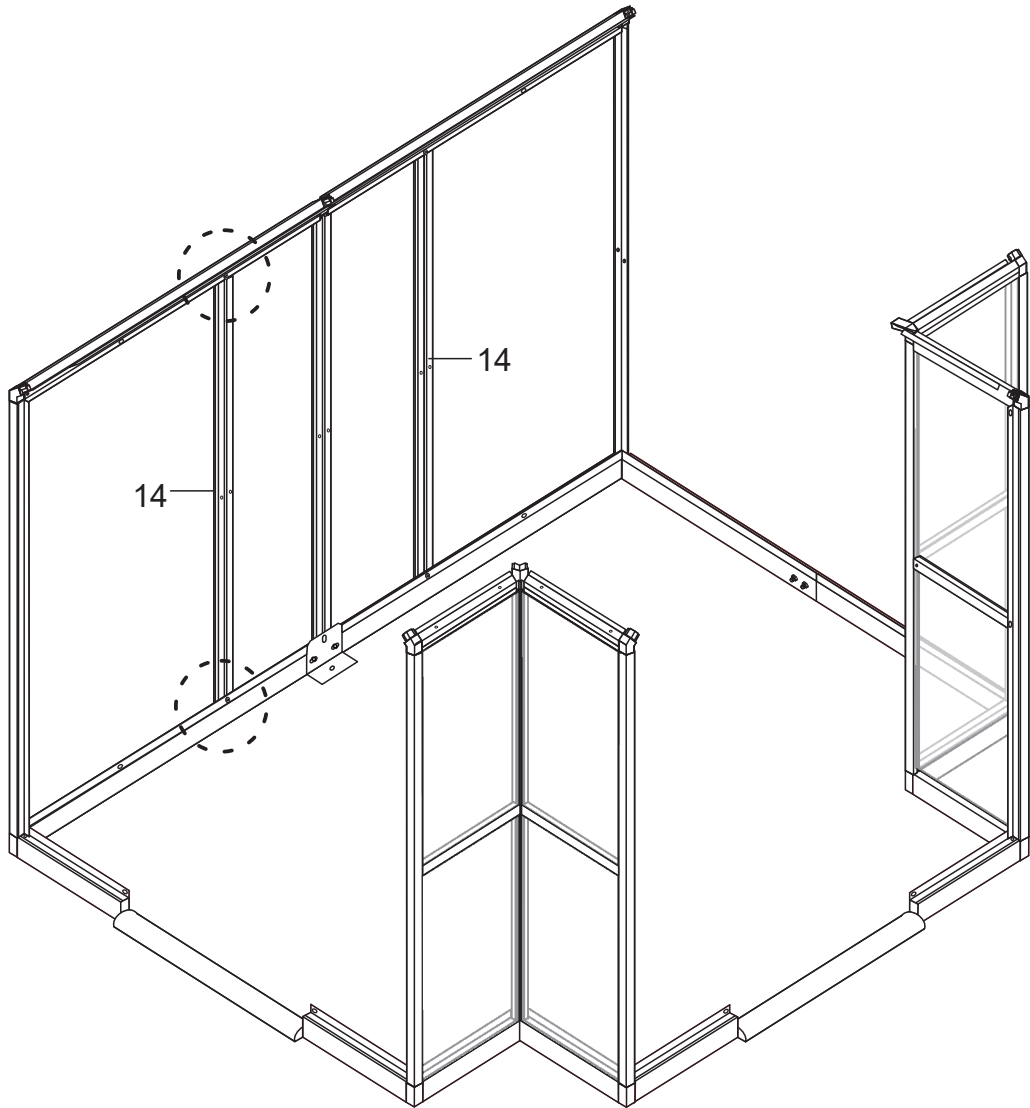
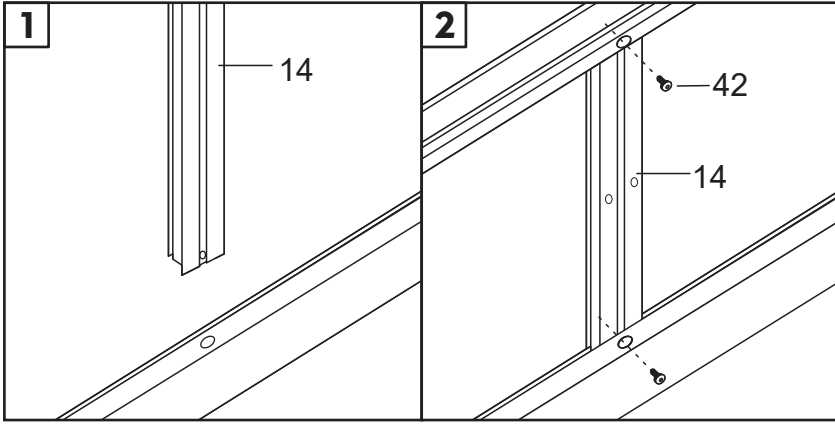




# Step 10



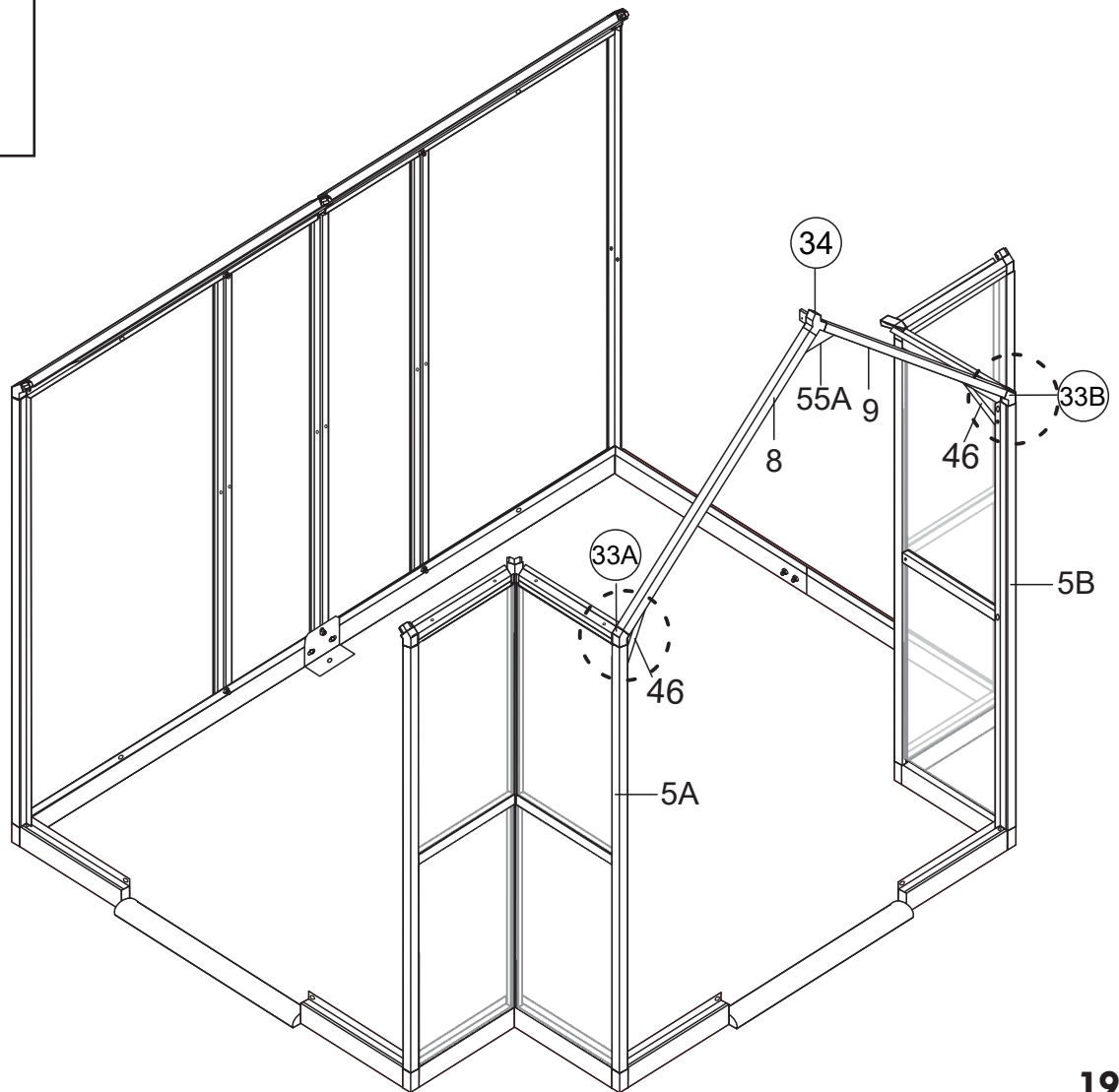
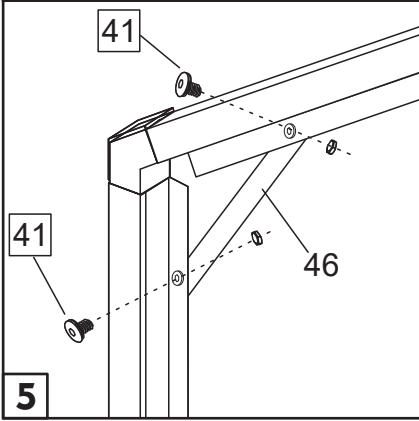
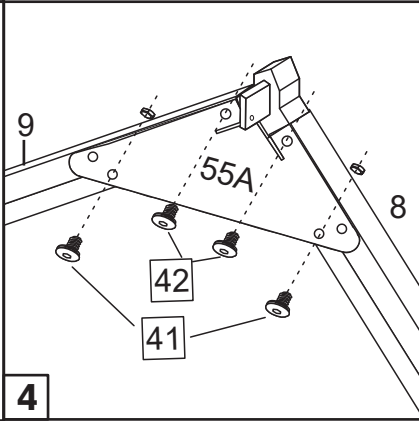
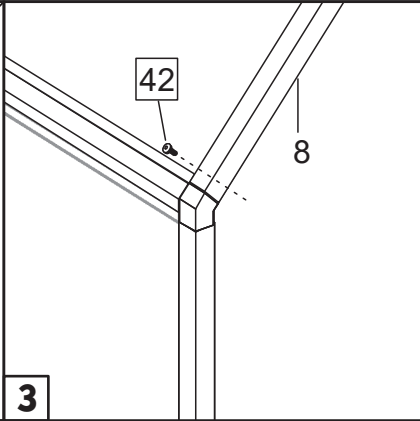
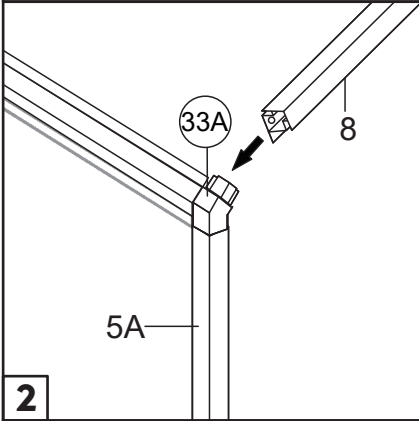
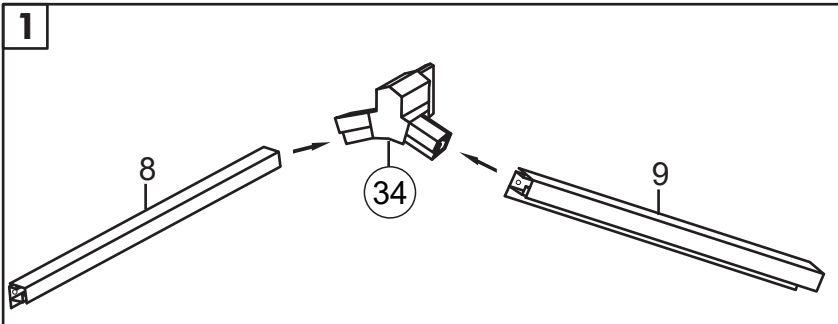
Picture	NO.	Qty.
	6	2
	33A	1
	33B	1
	39	1
	42	4

# Step 11



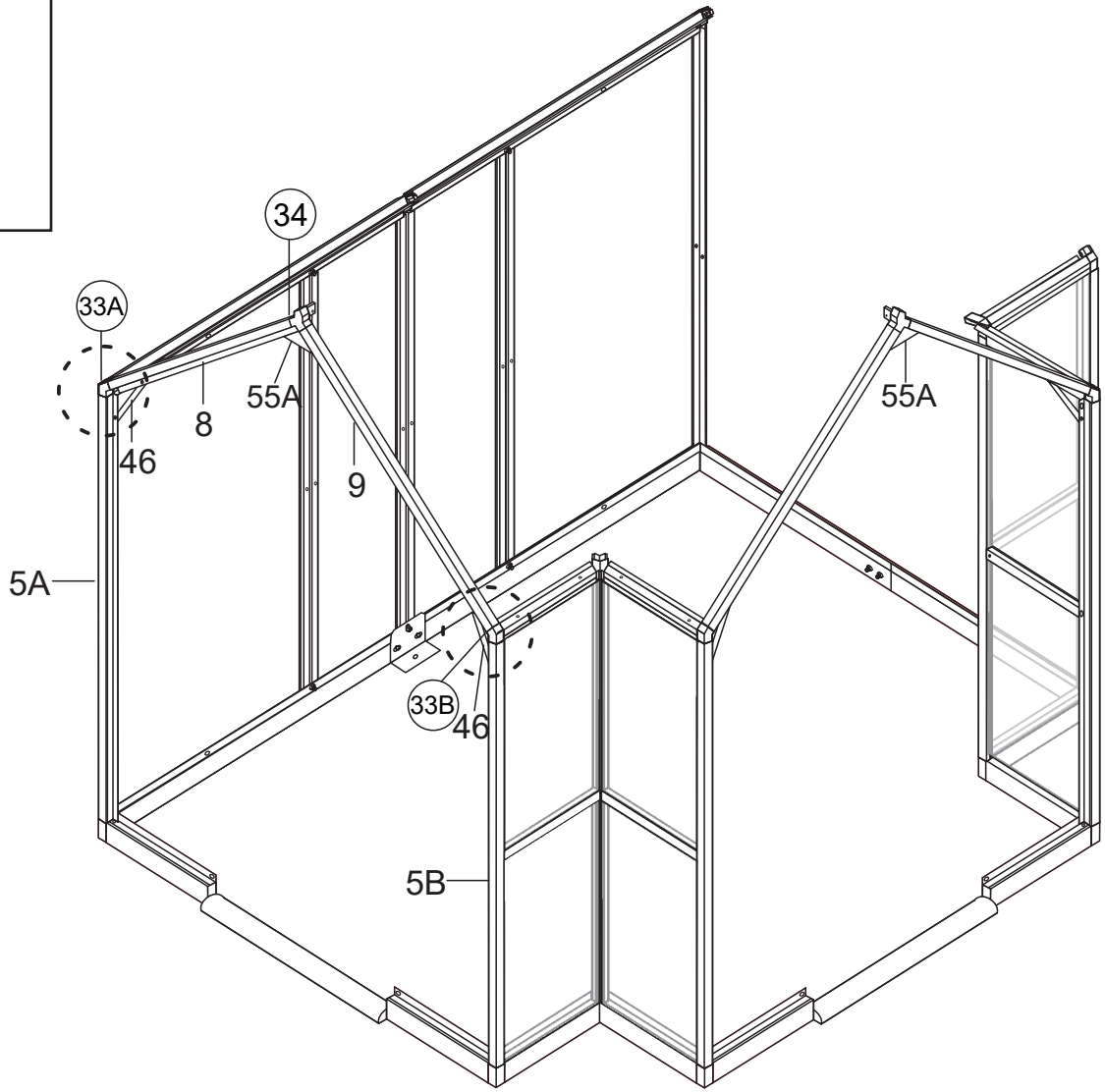
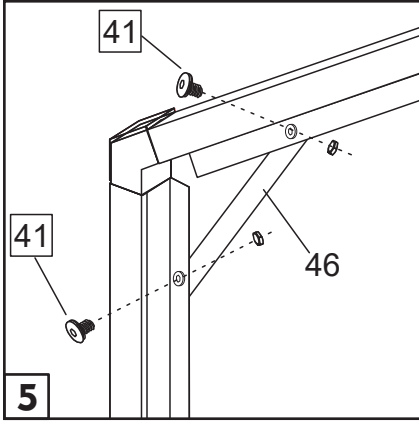
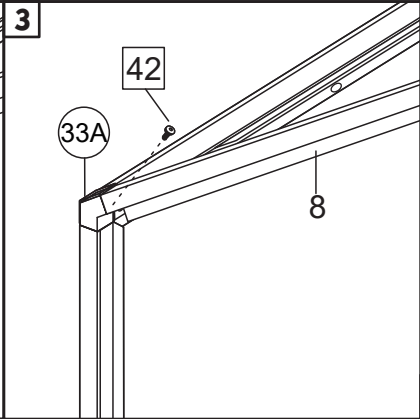
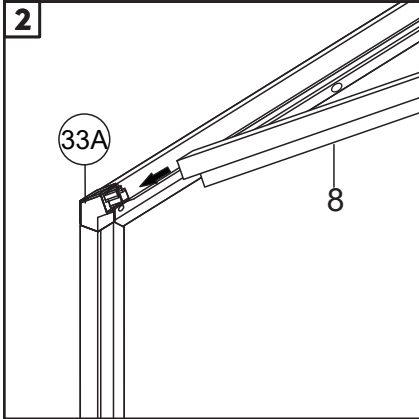
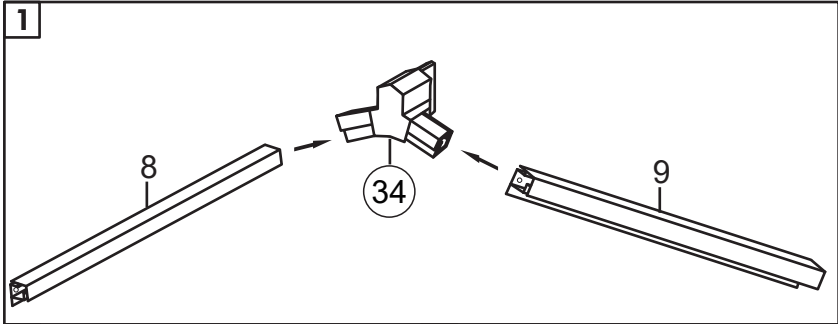
Picture	NO.	Qty.
	14	2
	42	4

# Step 12



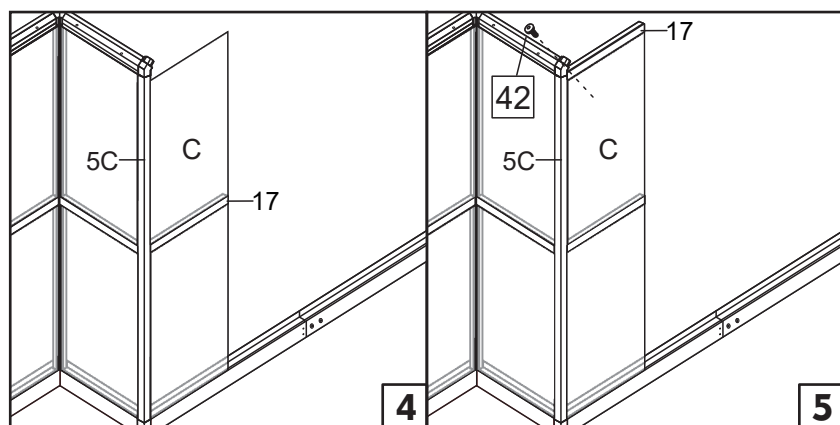
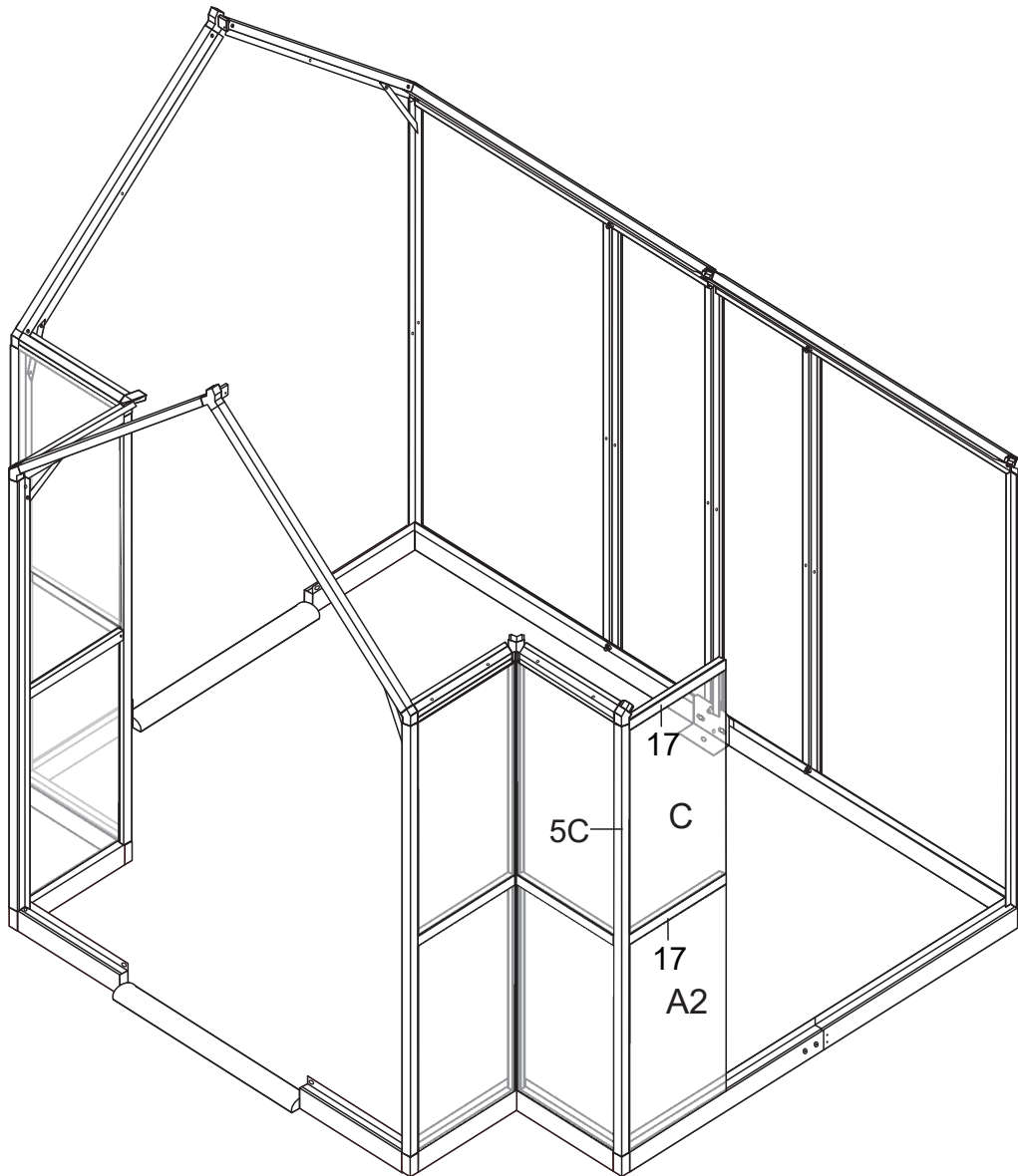
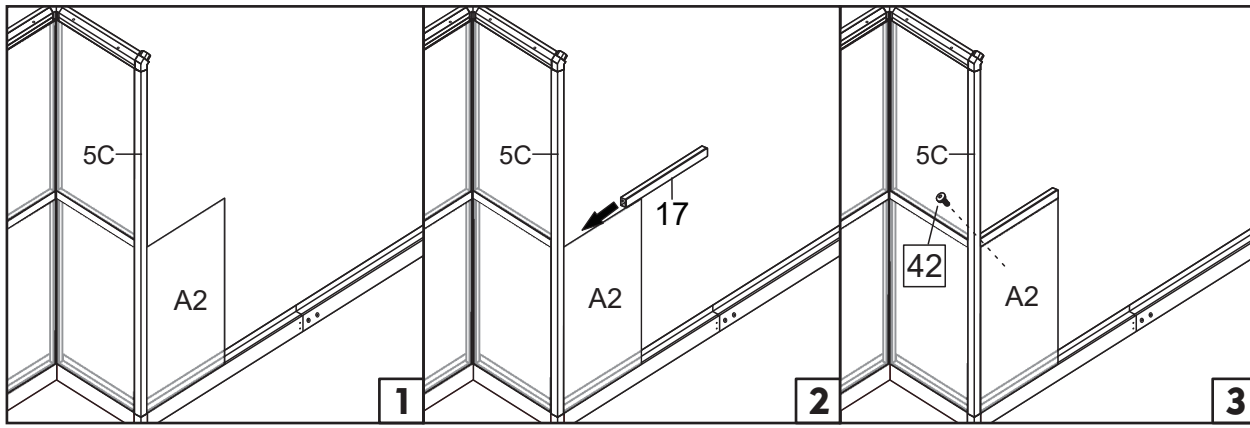
Picture	NO.	Qty.
	8	1
	9	1
	34	1
	42	4
	41	6
	46	2
	55A	1

# Step 13

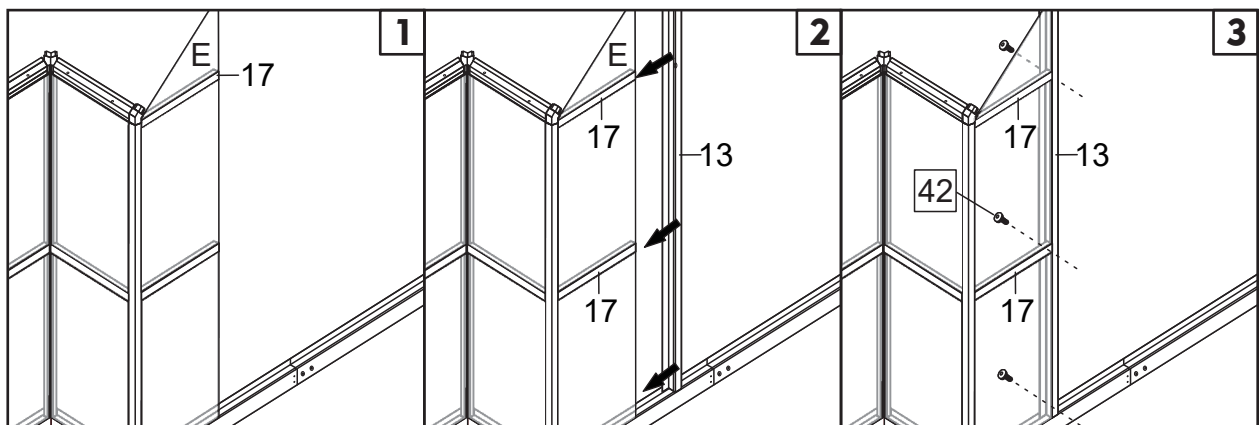
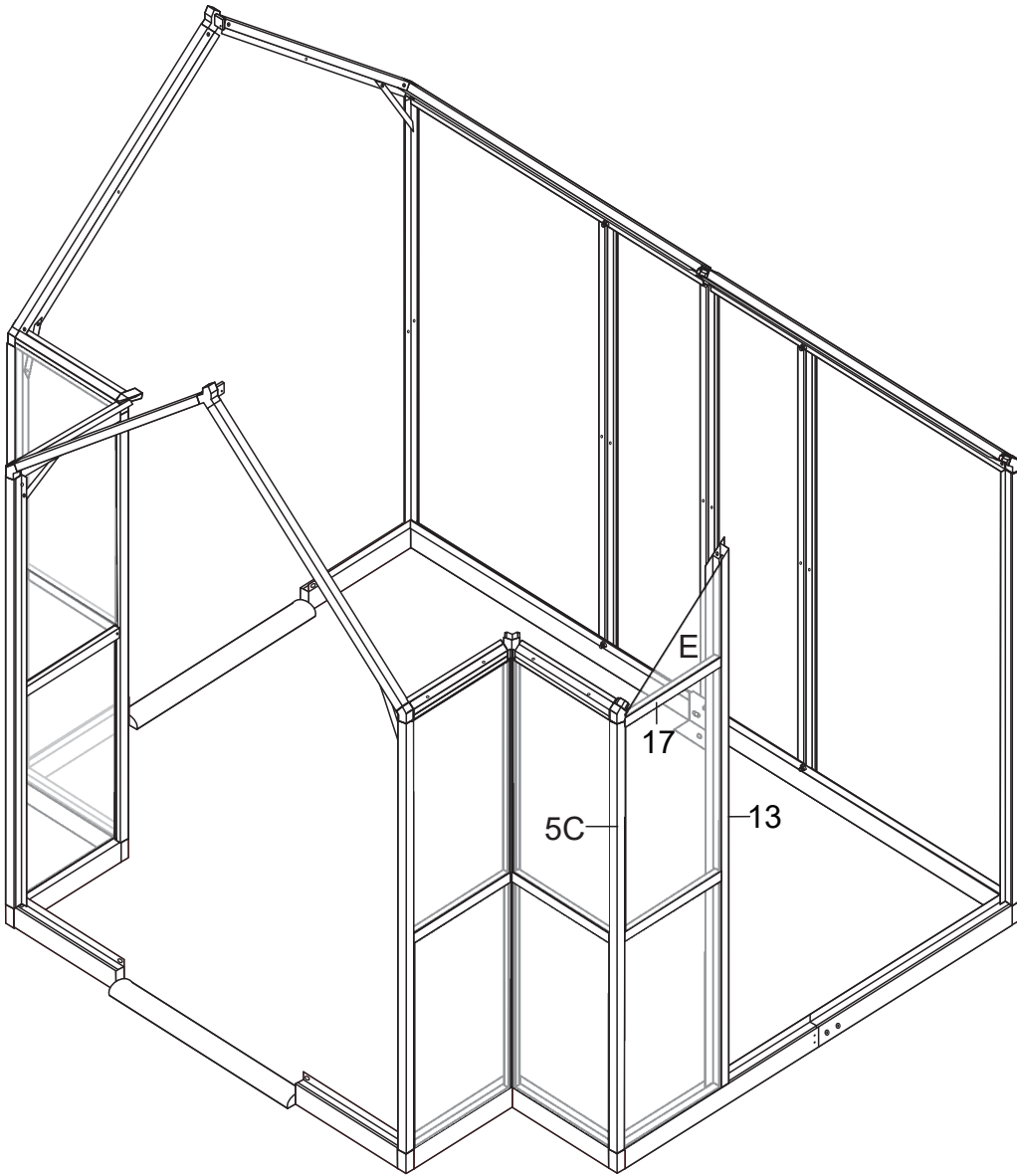





Picture	NO.	Qty.
	8	1
	9	1
	34	1
	42	4
	41	6
	46	2
	55A	1

# Step 14

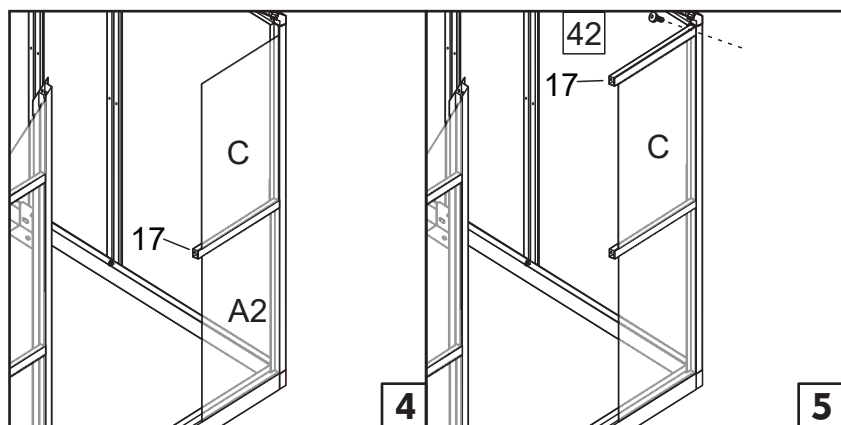
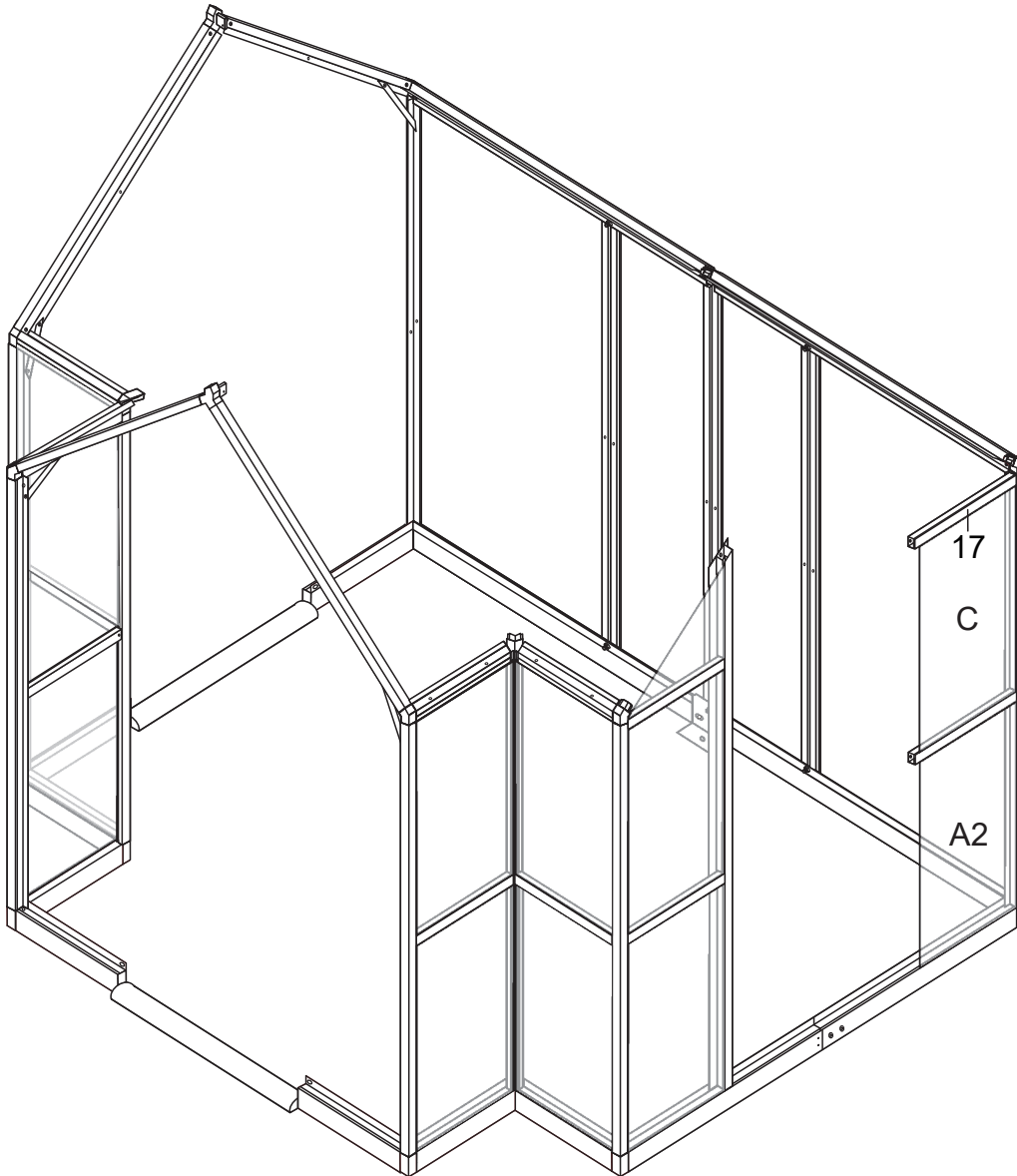
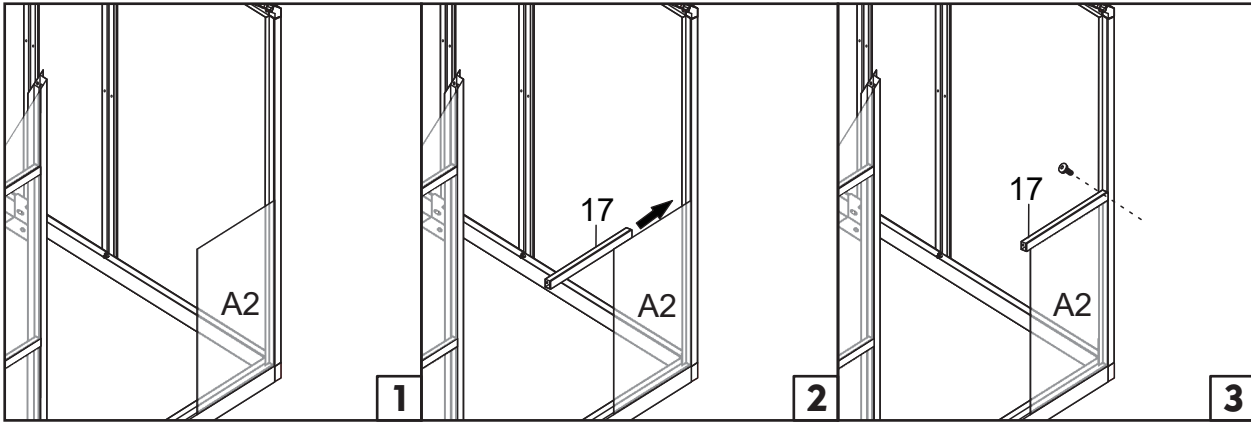






Picture	NO.	Qty.
	C	1
	A2	1
	17	2
	42	2

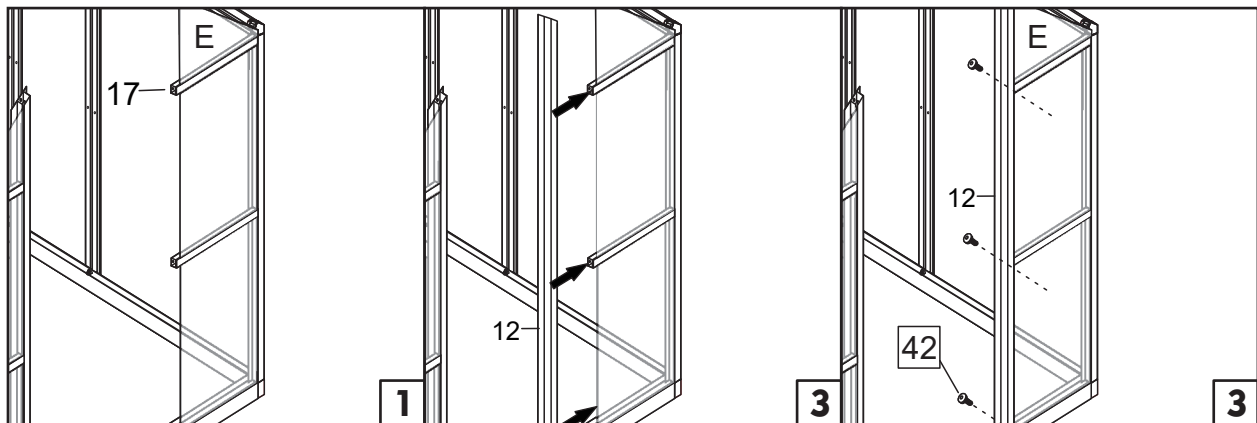
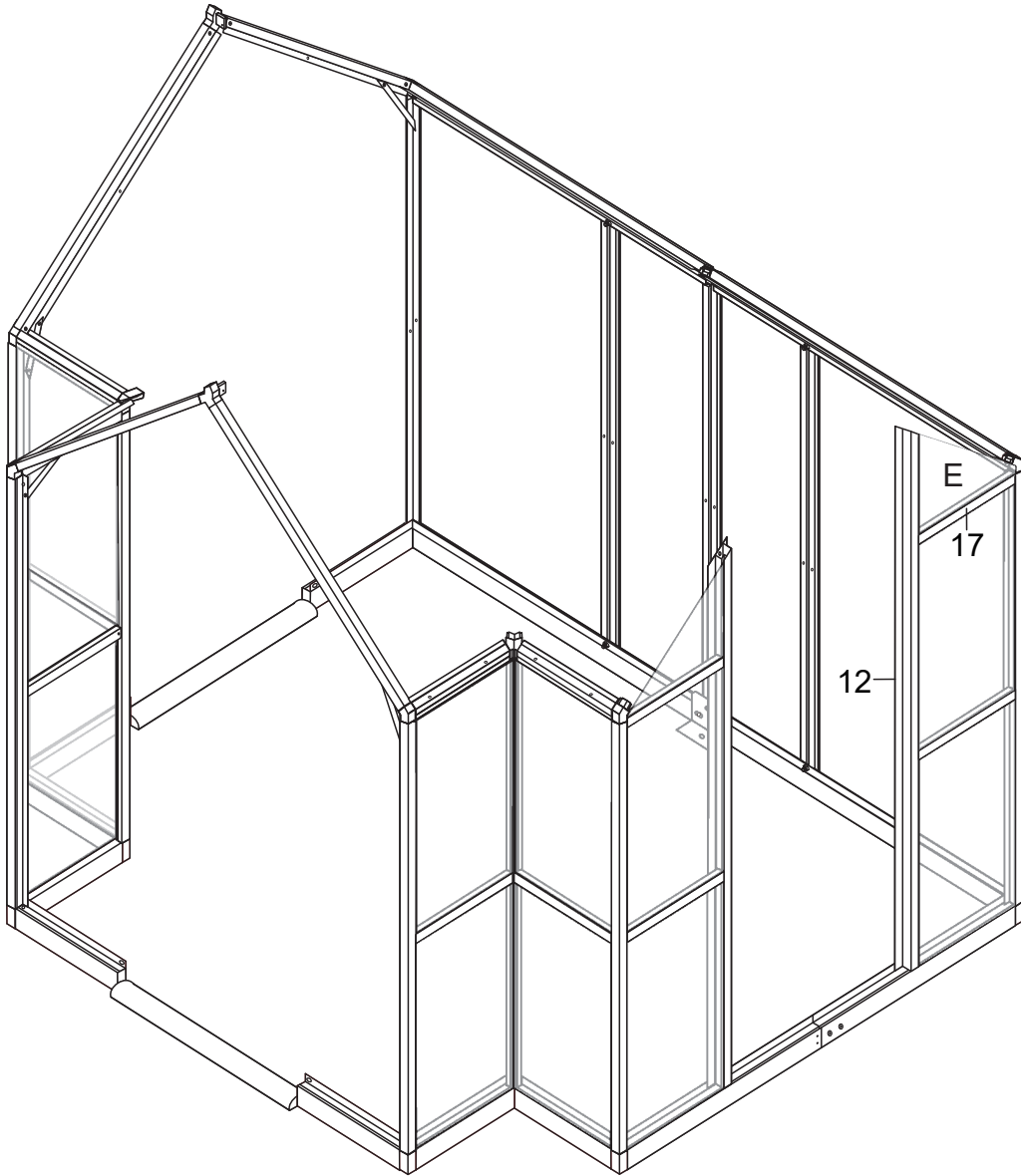





Picture	NO.	Qty.
	E	1
	13	1
	42	3

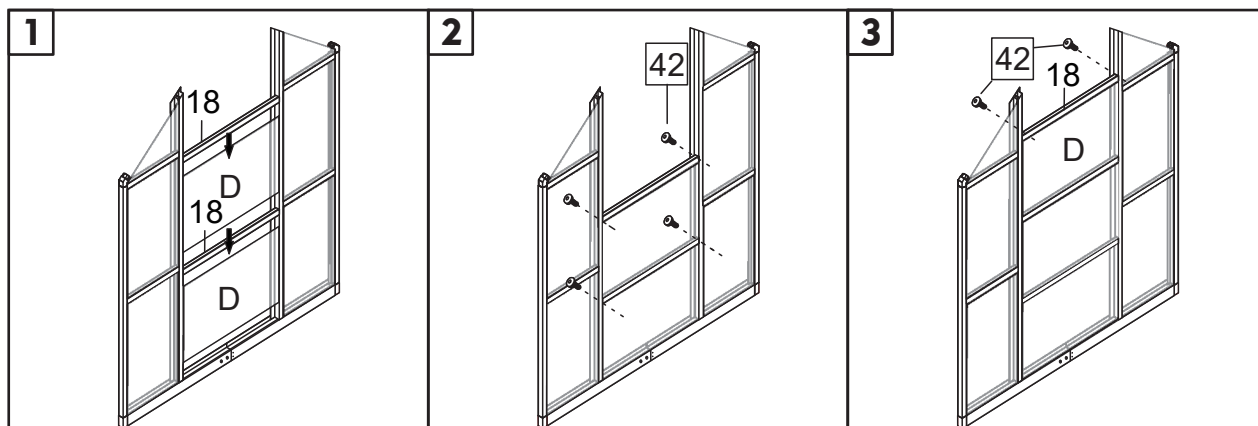
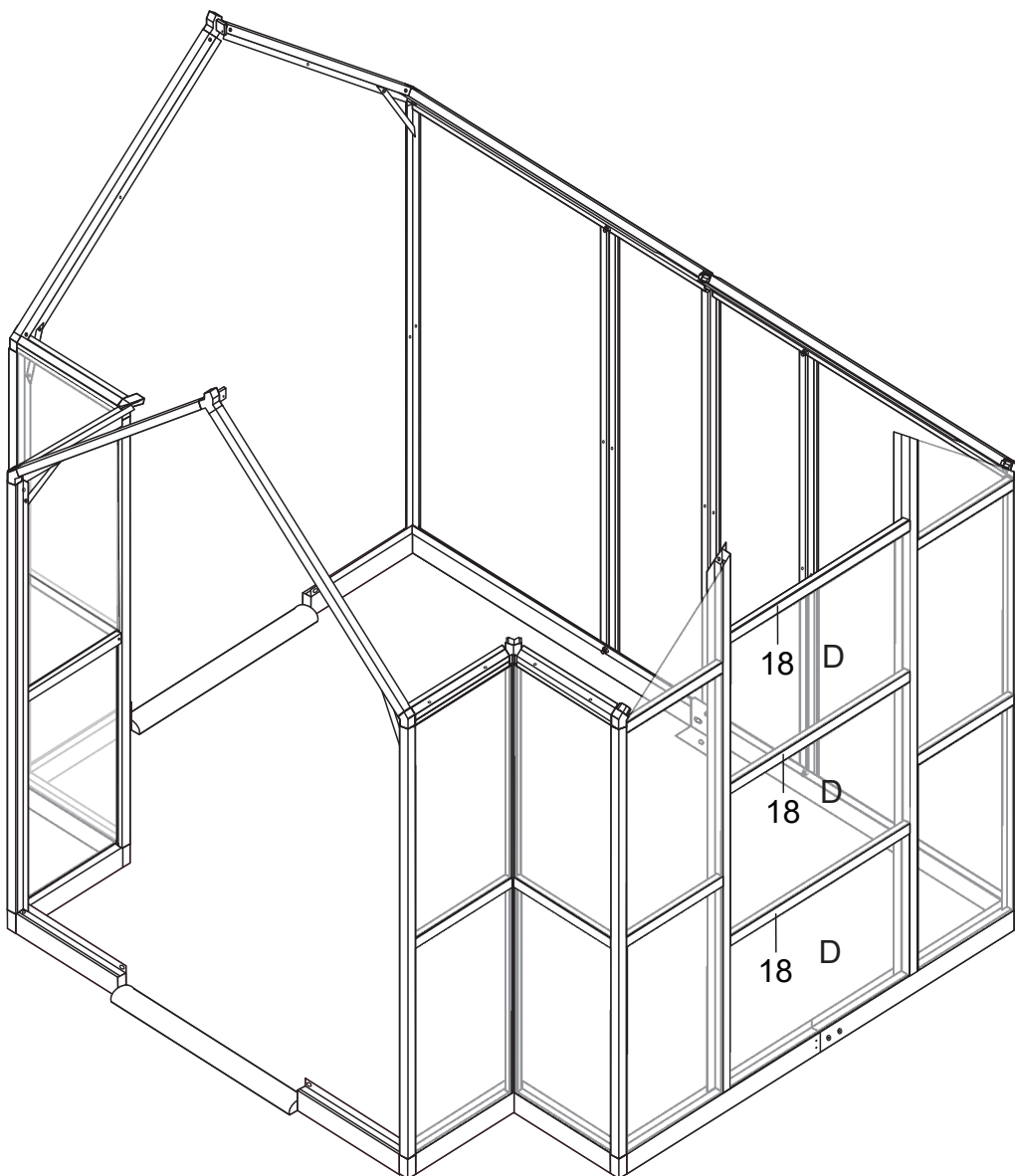
# Step 16






Picture	NO.	Qty.
	C	1
	A2	1
	17	2
	42	2

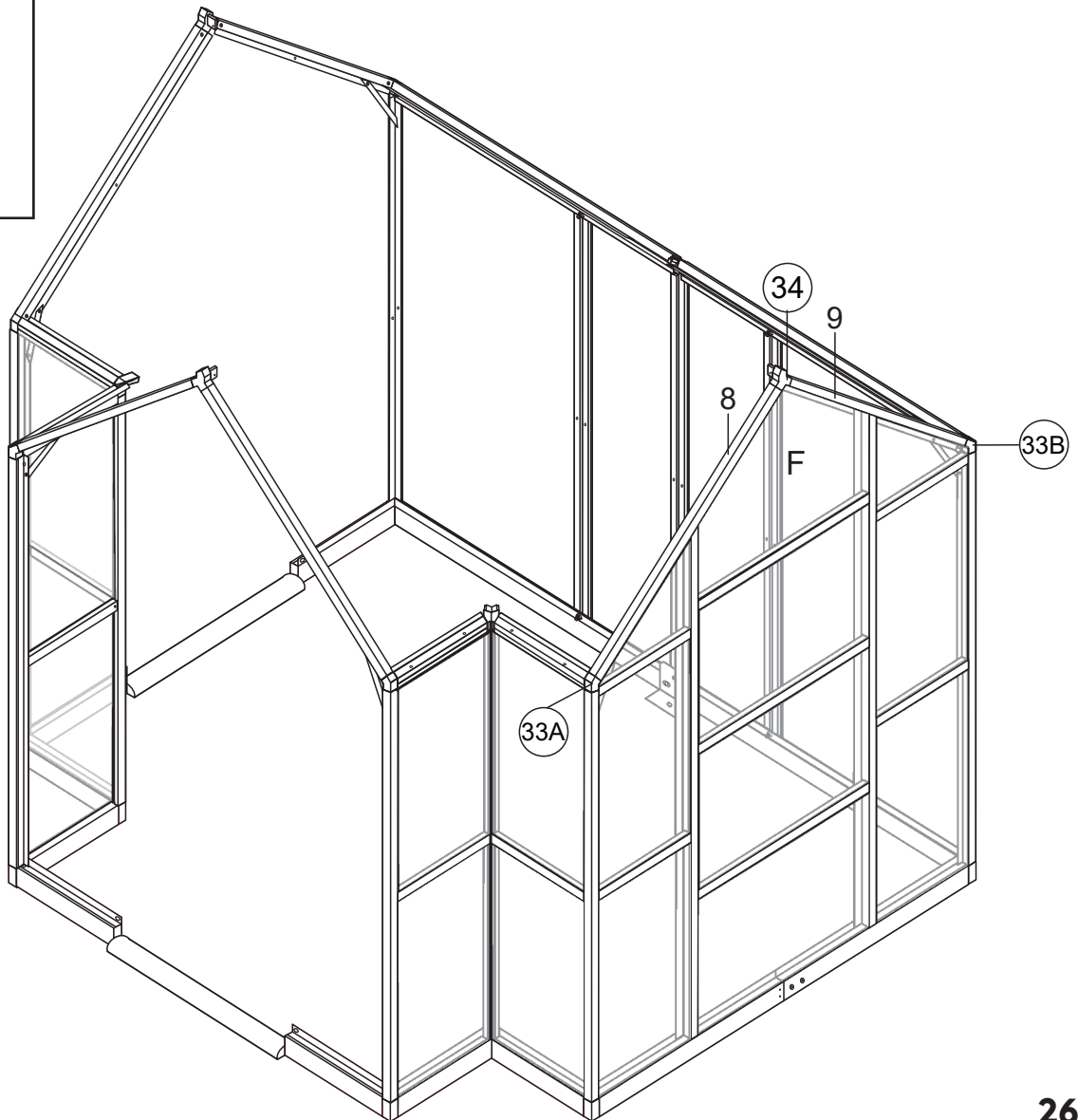
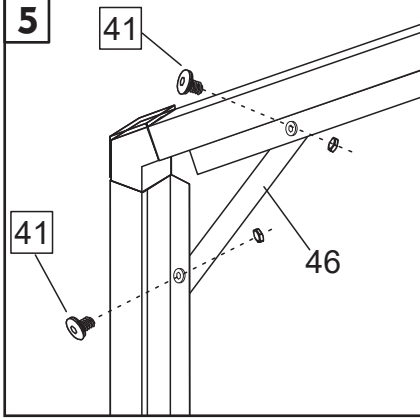
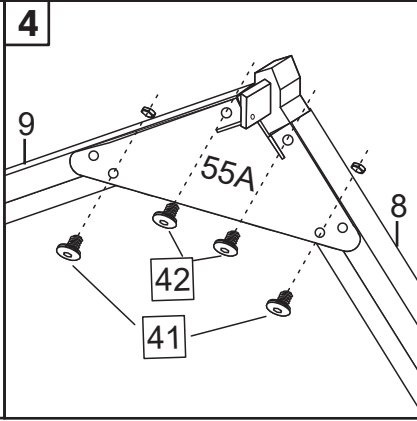
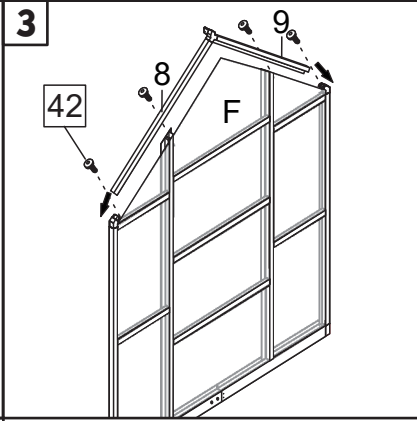
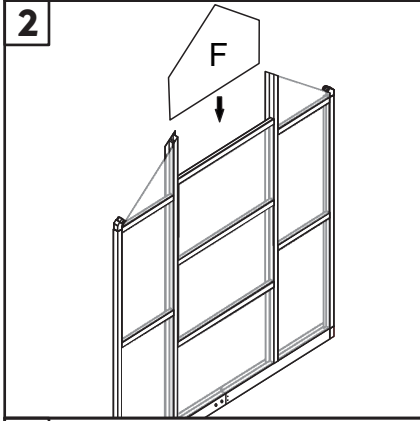
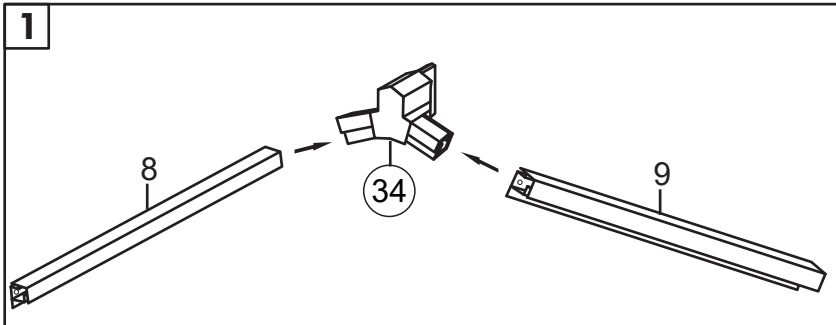


Picture	NO.	Qty.
	E	1
	12	1
	42	3

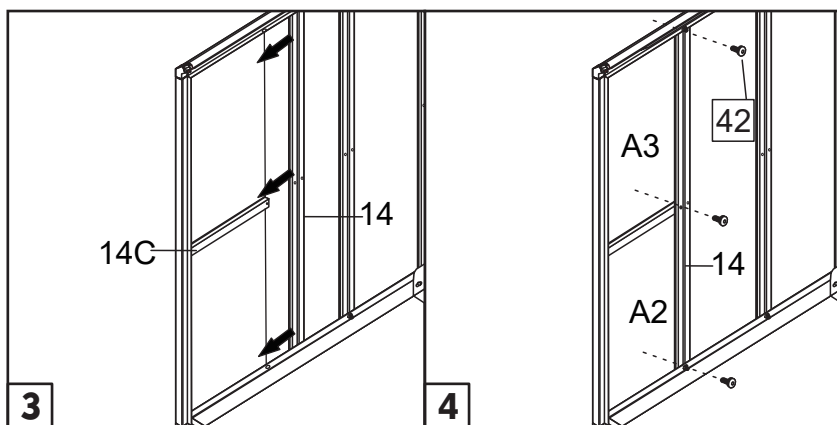
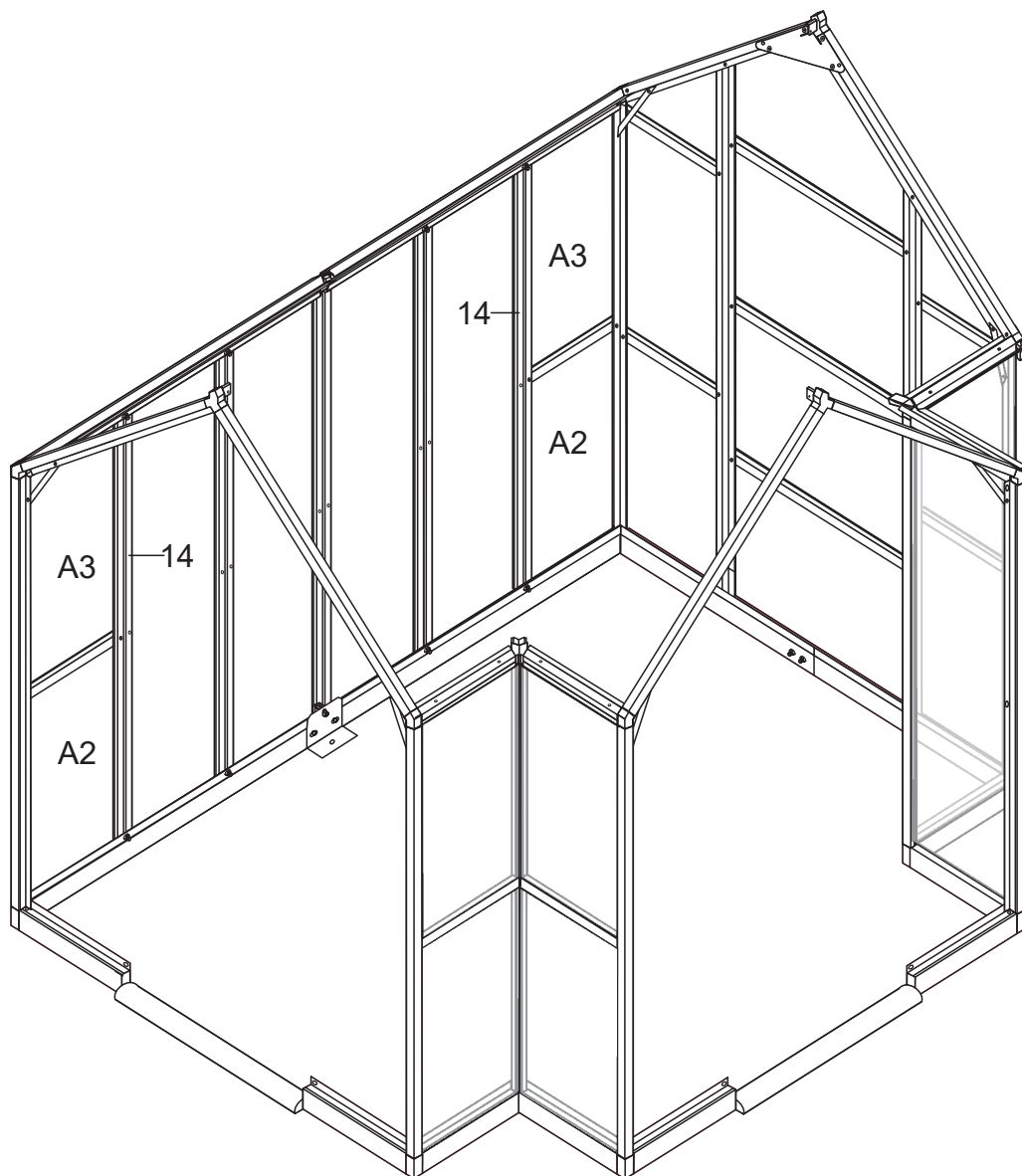
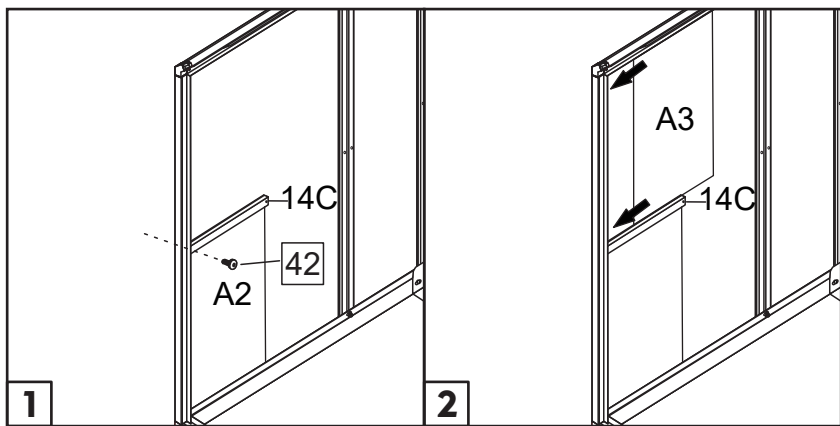







Picture	NO.	Qty.
	D	3
	18	3
	42	6

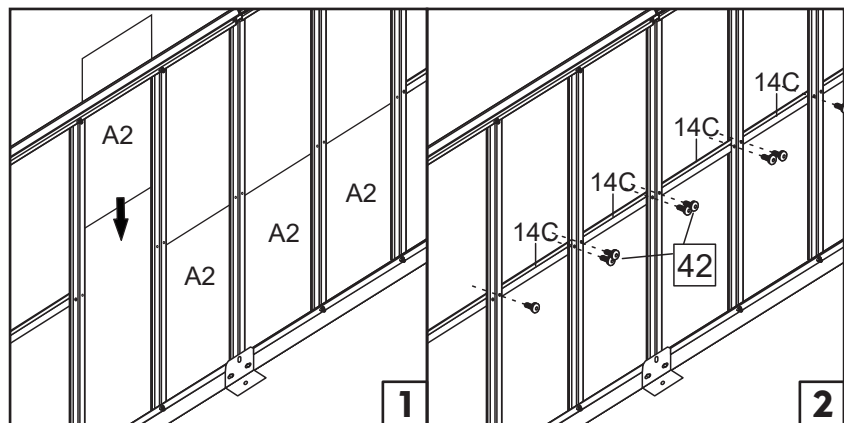
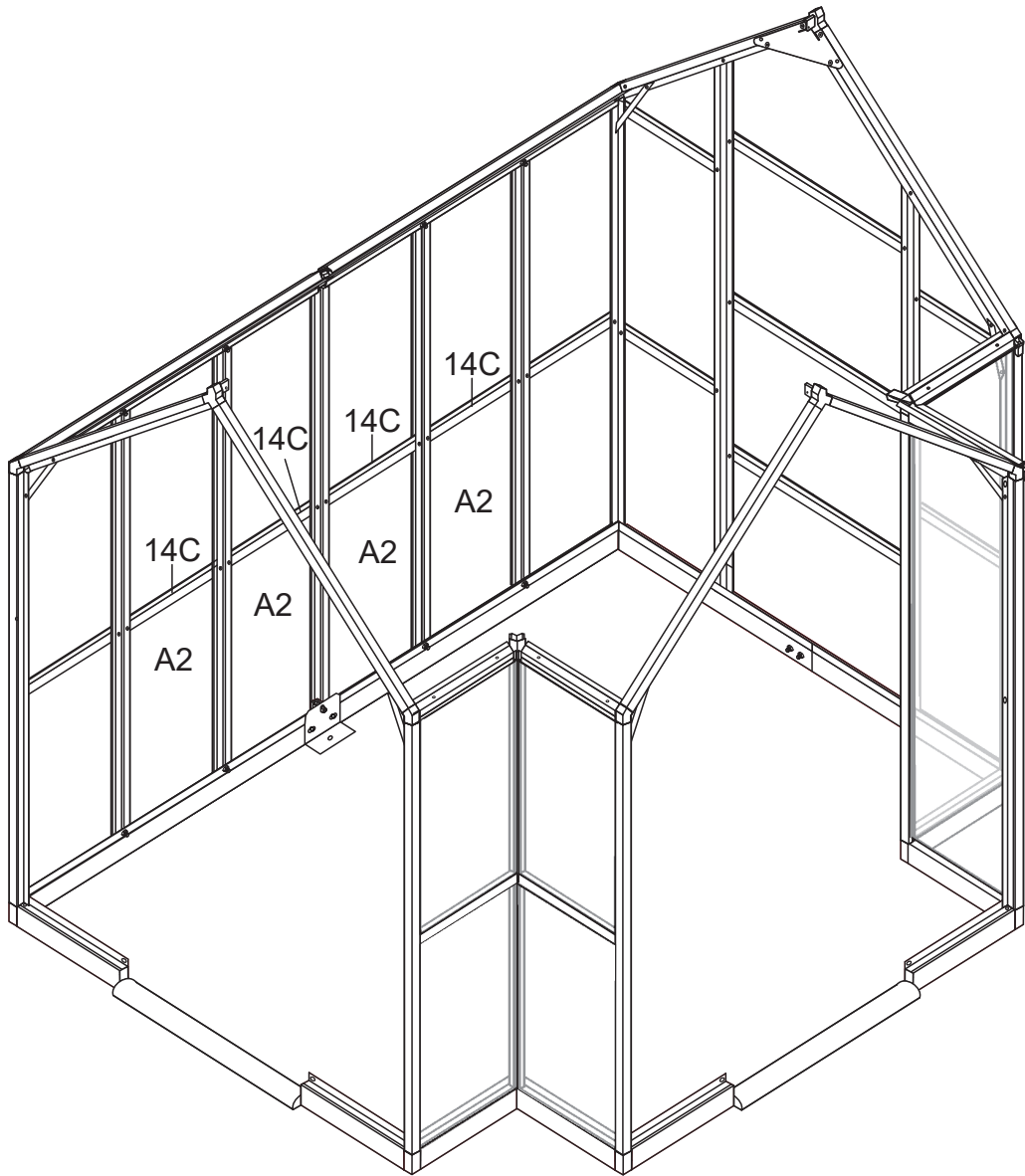
# Step 19



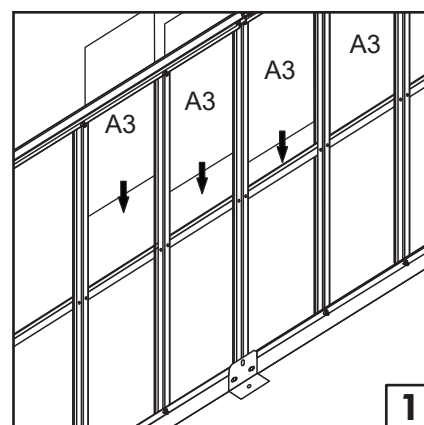
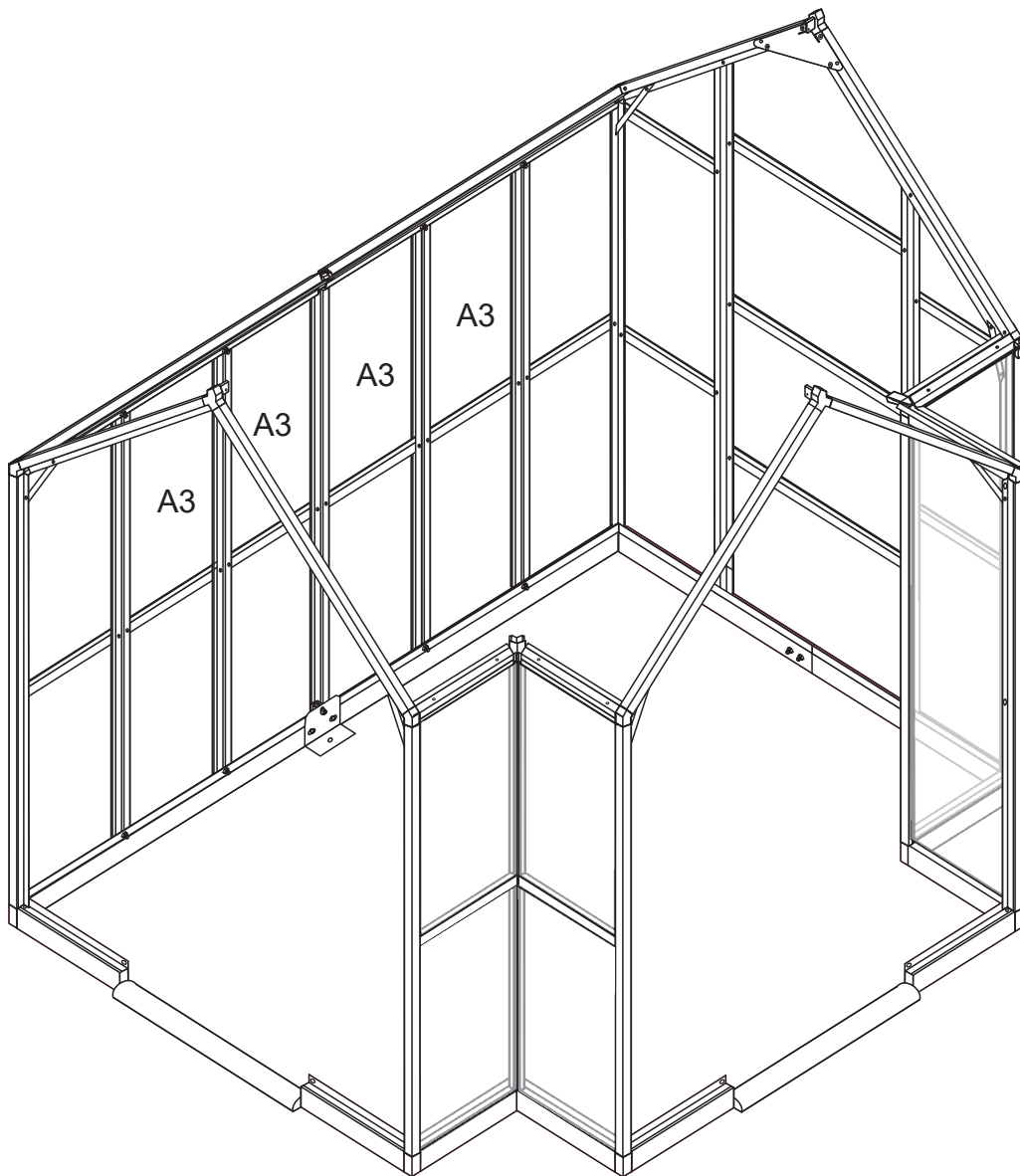
Picture	NO.	Qty.
	F	1
	8	1
	9	1
	34	1
	42	6
	41	6
	46	2
	55A	1




Picture	NO.	Qty.
	A2	2
	A3	2
	14	2
	14C	2
	42	8

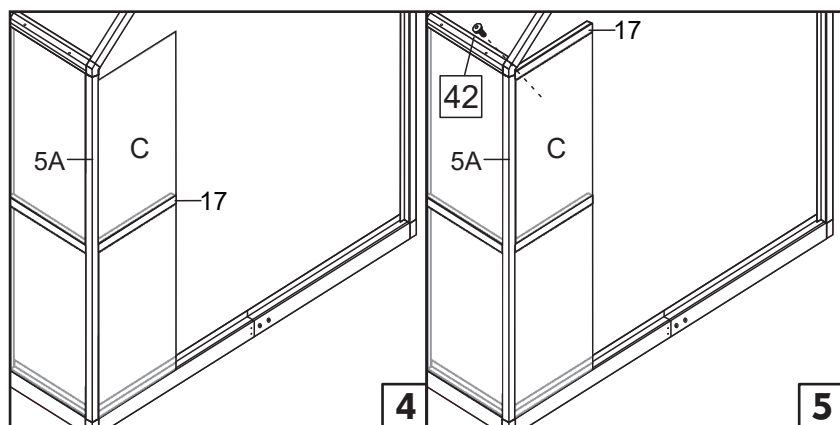
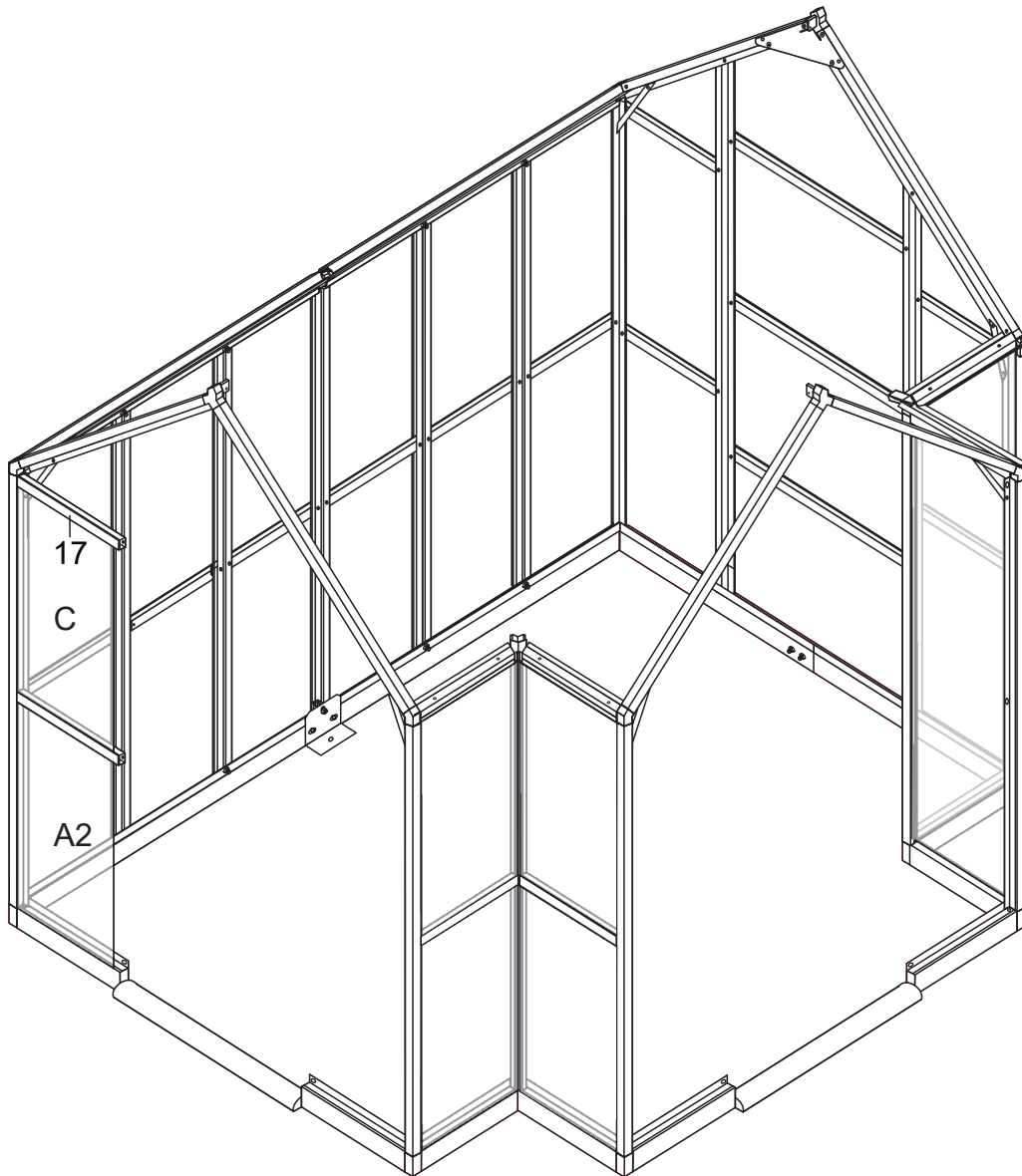
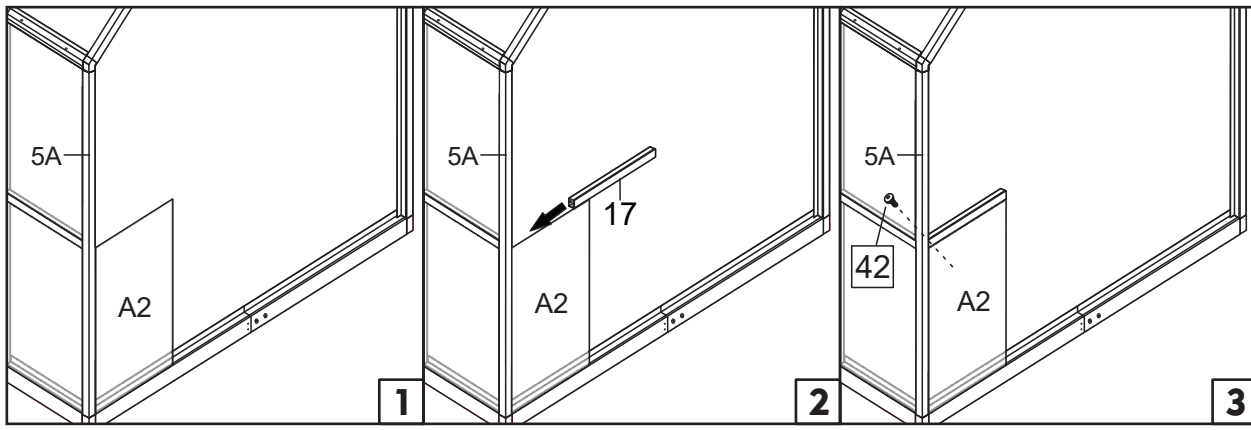






Picture	NO.	Qty.
	A2	4
	14C	4
	42	8

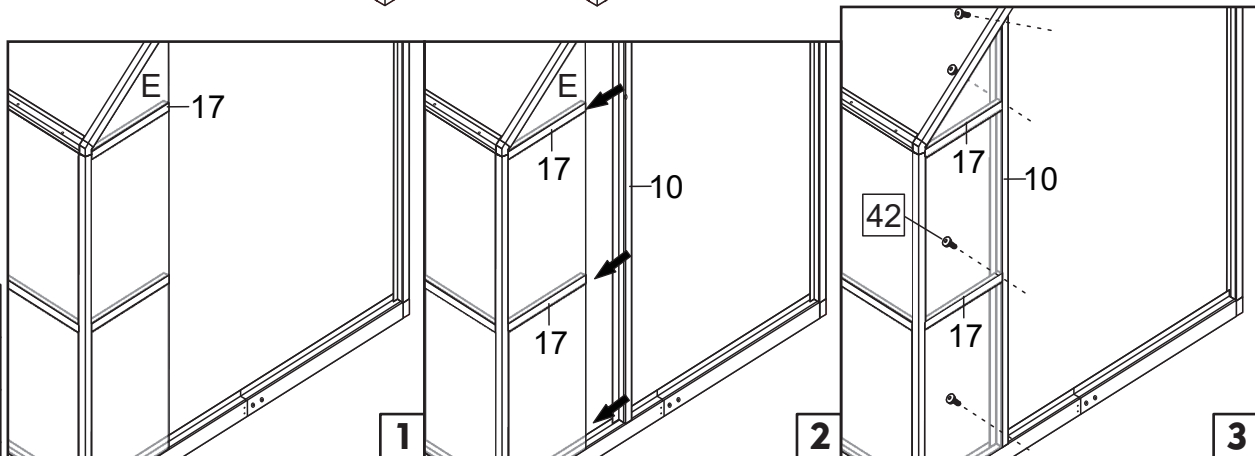
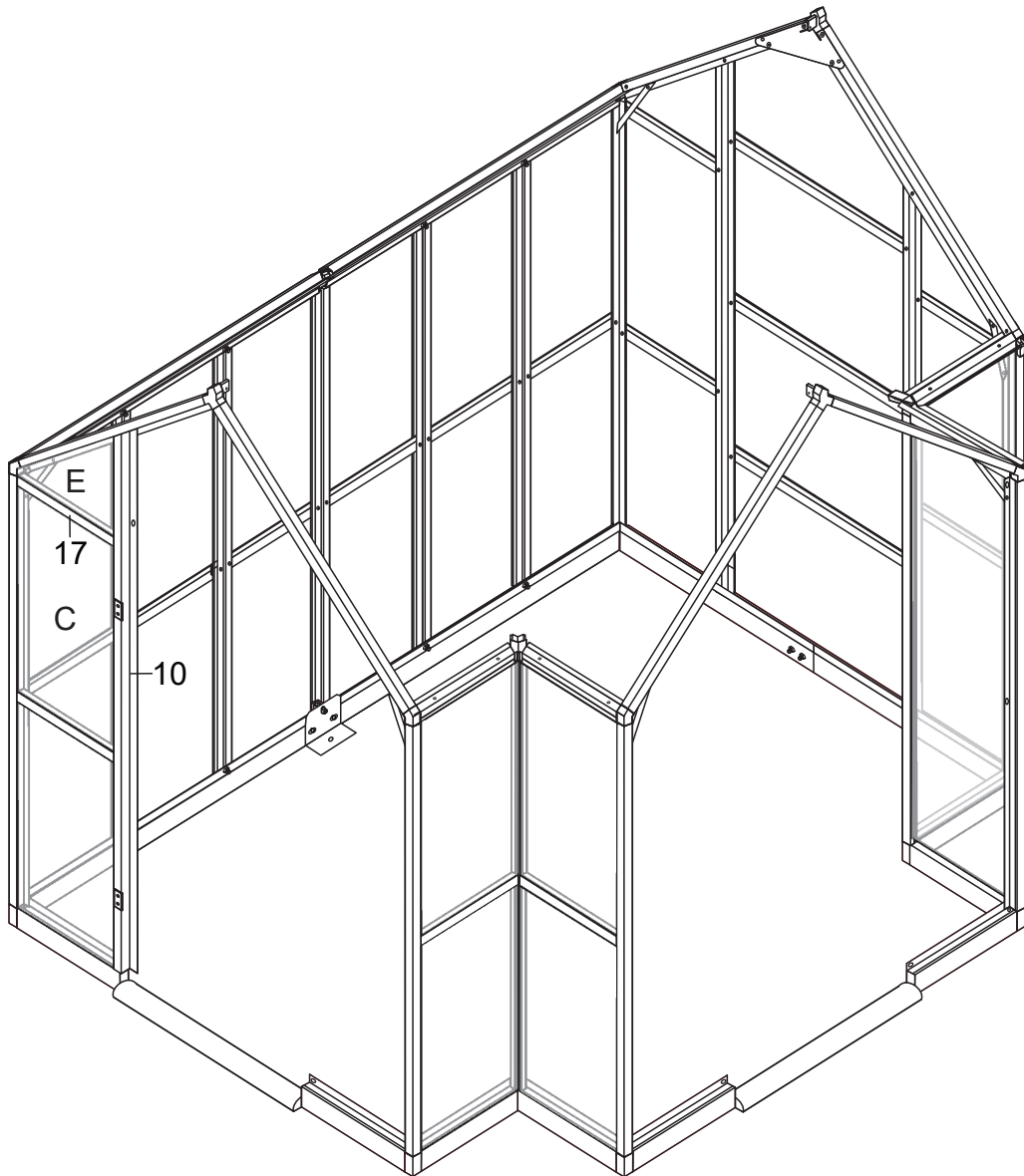





Picture	NO.	Qty.
	A3	4

# Step 23

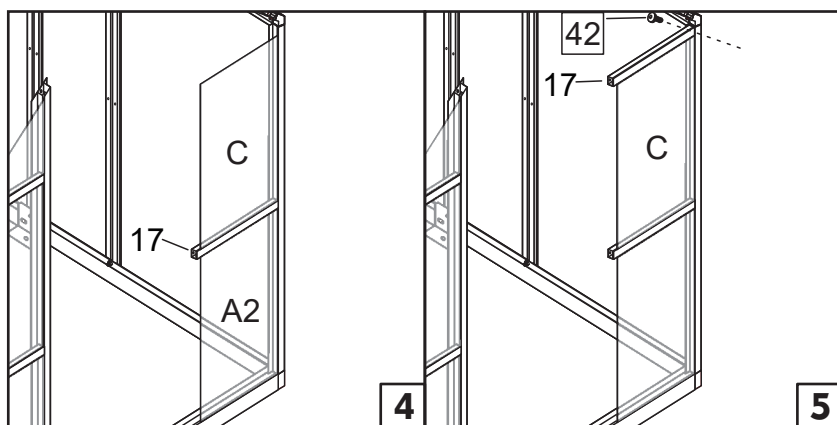
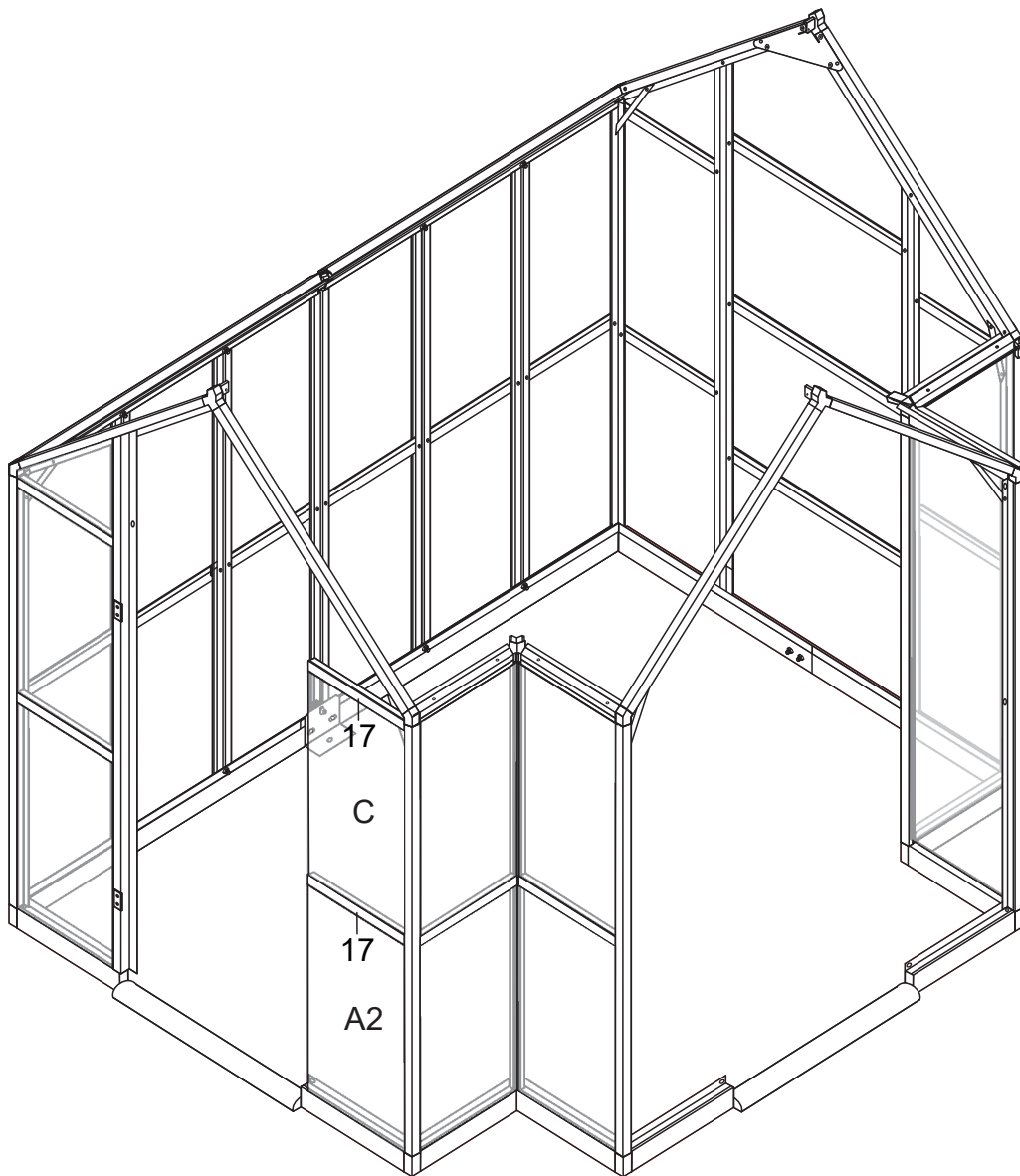
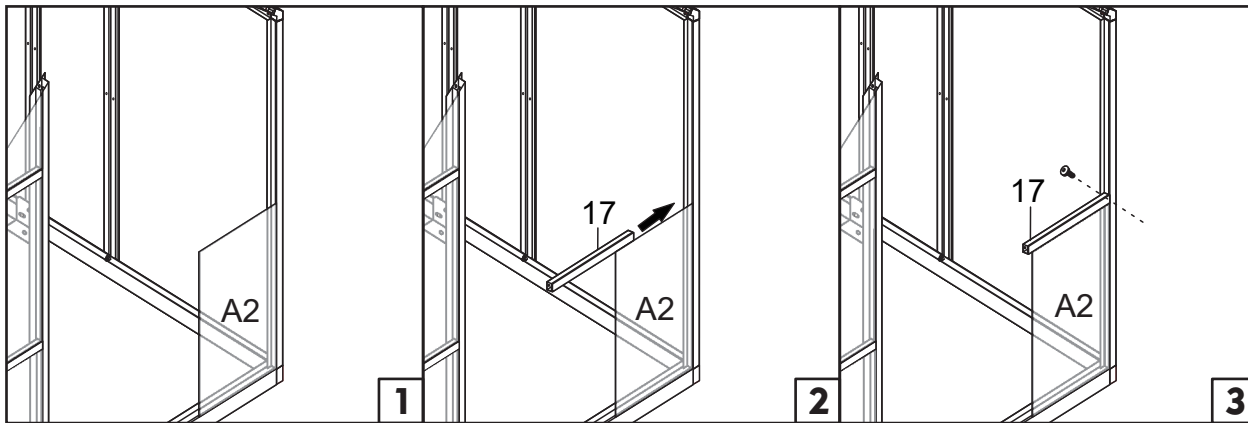


Picture	NO.	Qty.
	C	1
	A2	1
	17	2
	42	2

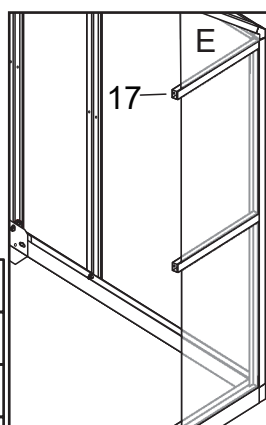
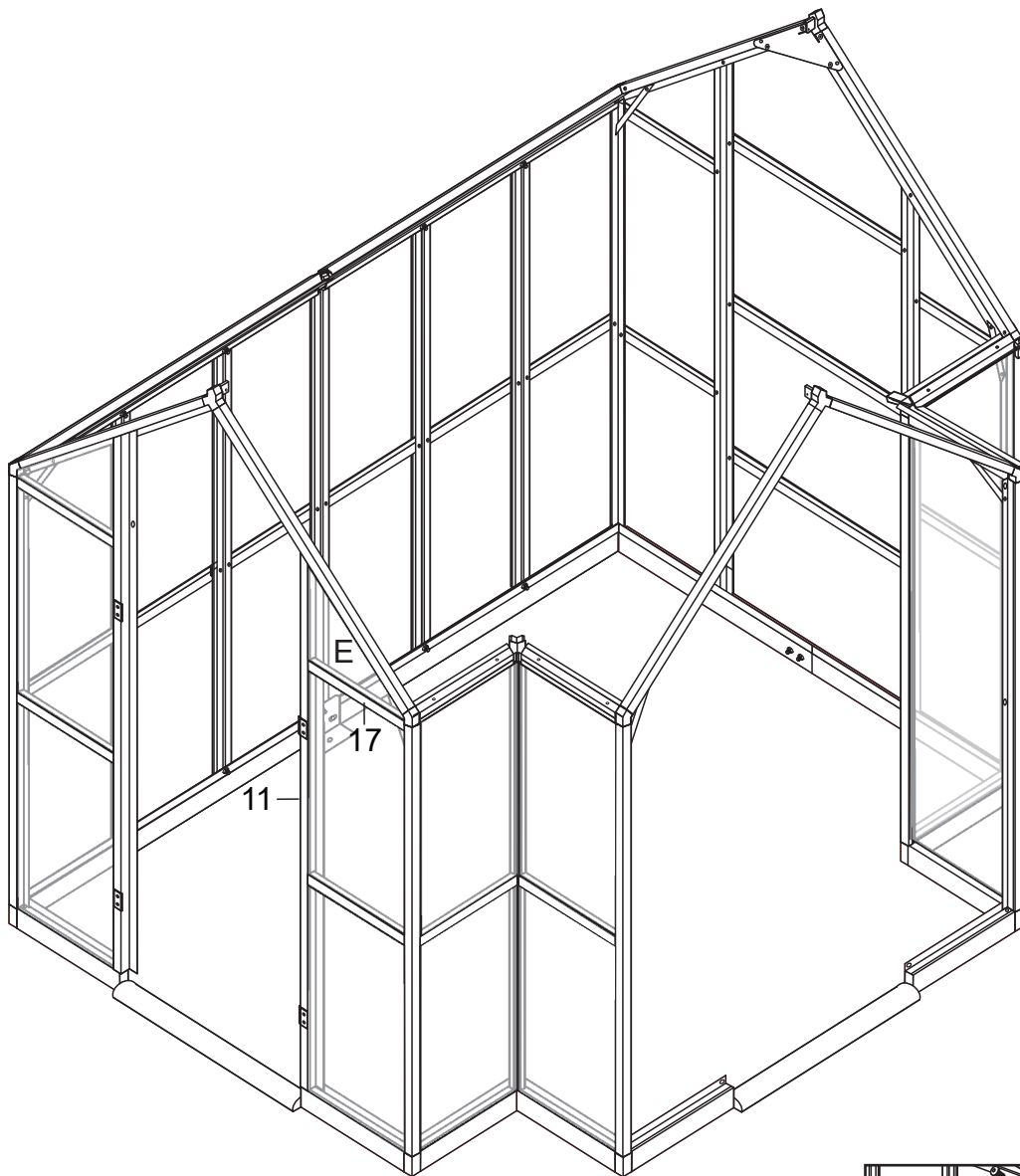


Picture	NO.	Qty.
	E	1
	10	1
	42	4

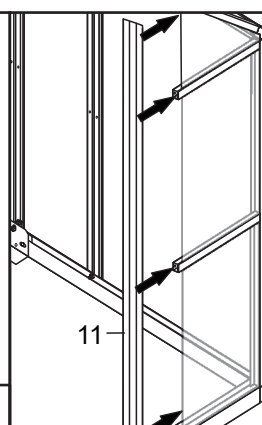
# Step 25



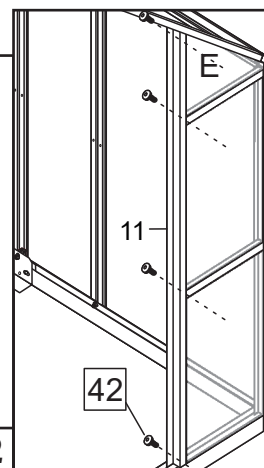
Picture	NO.	Qty.
	C	1
	A2	1
	17	2
	42	2



**1**



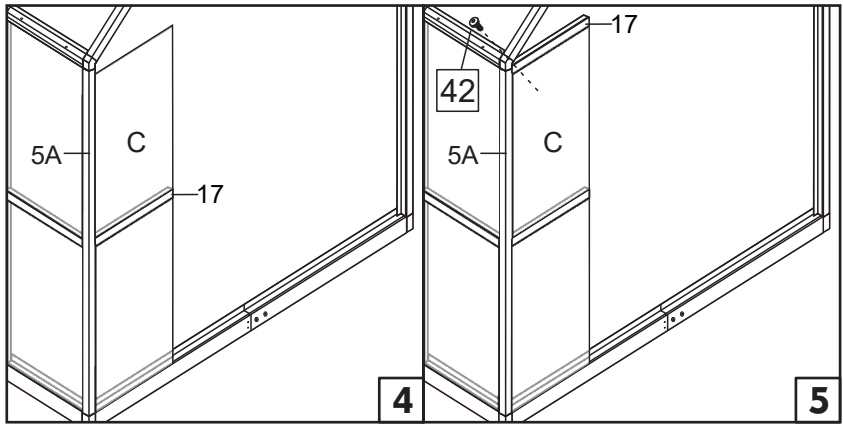
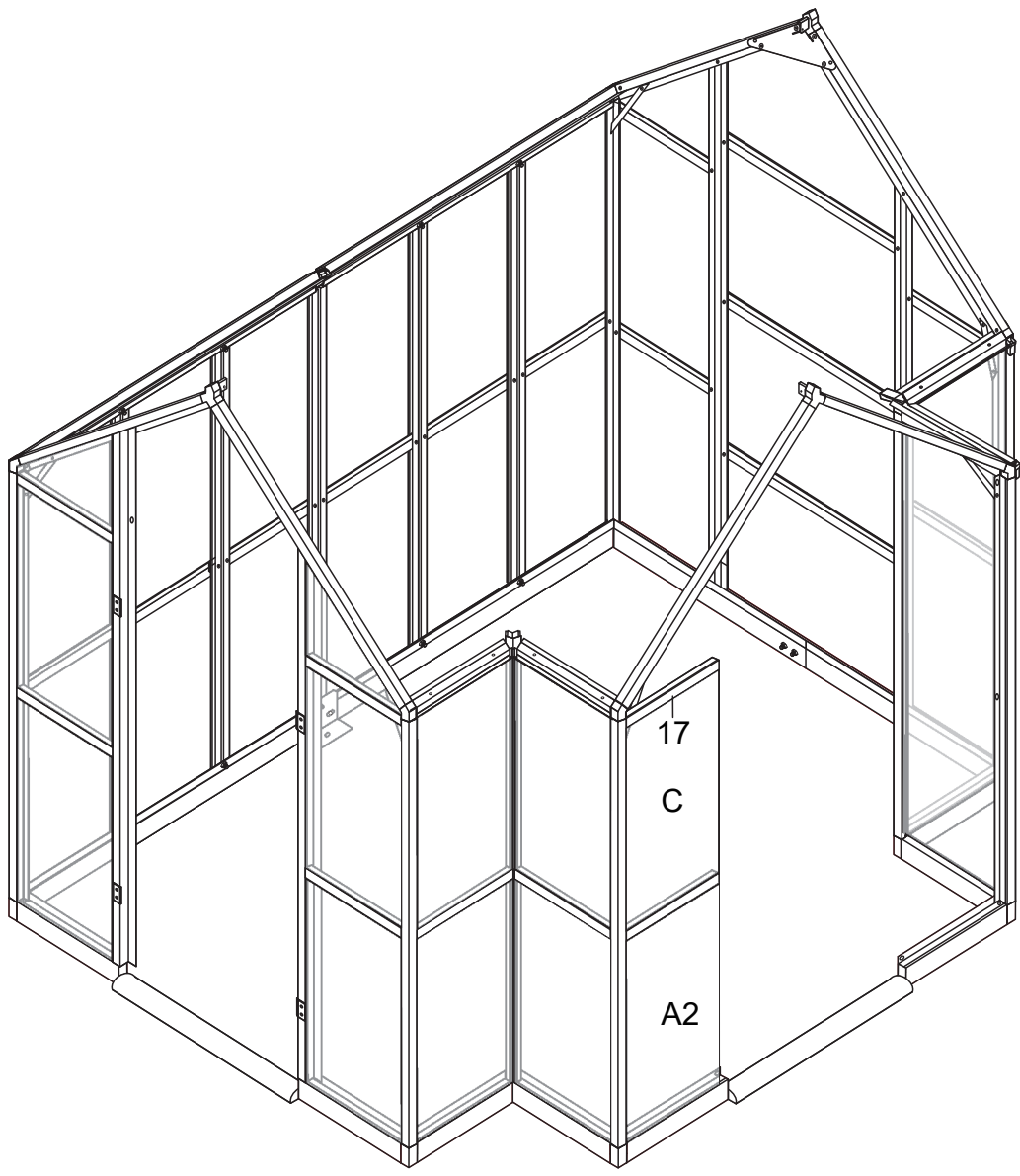
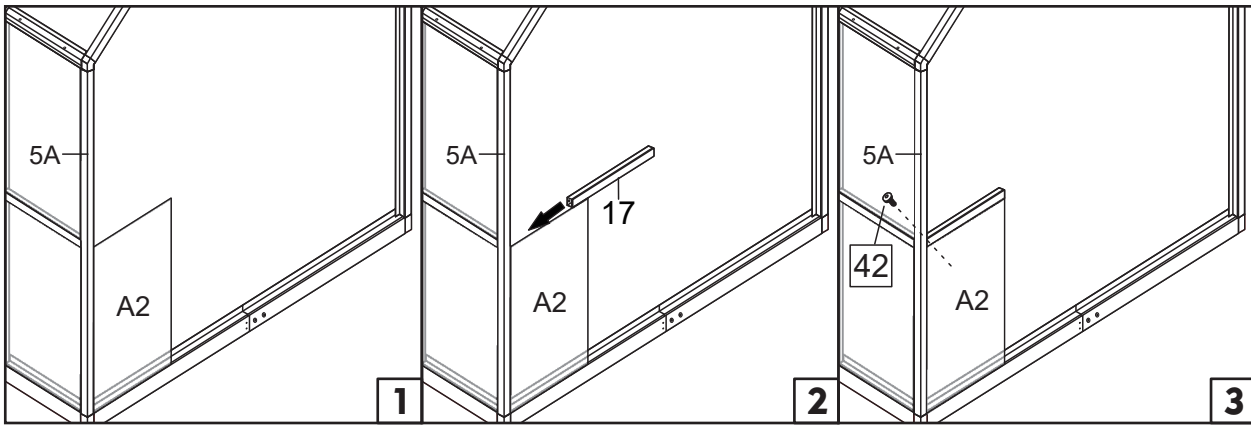
**2**







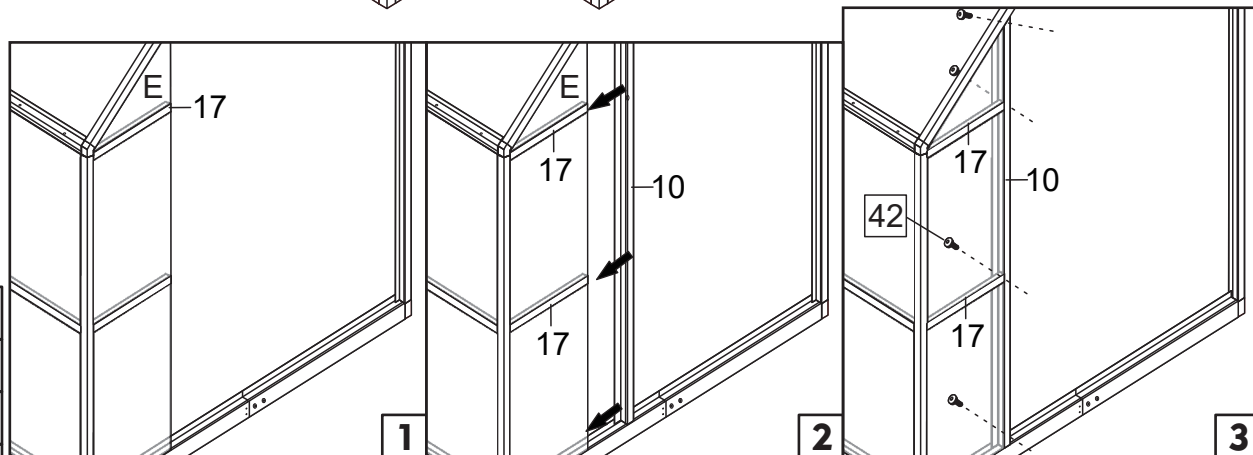
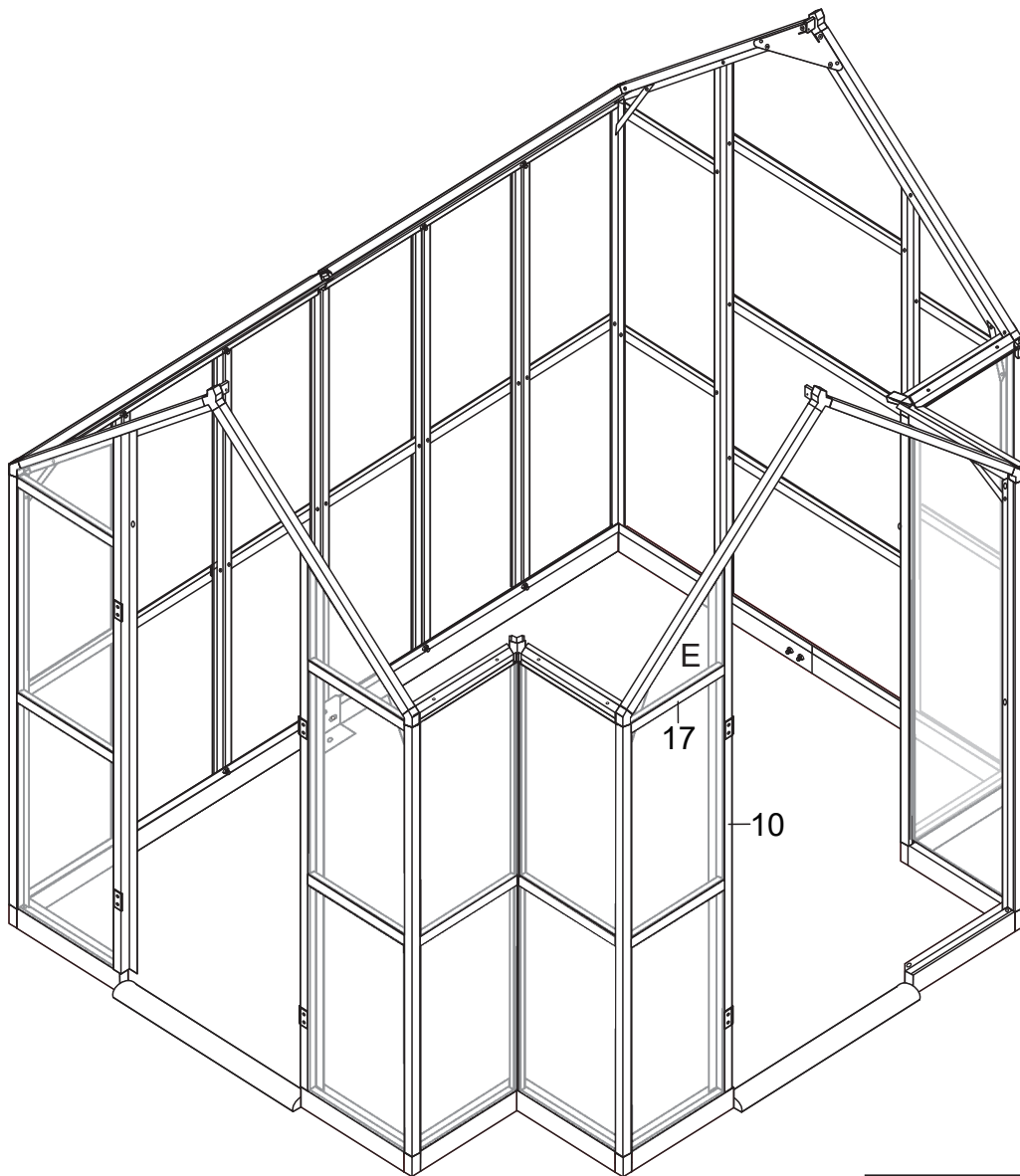
**3**




Picture	NO.	Qty.
	E	1
	11	1
	42	4

# Step 27

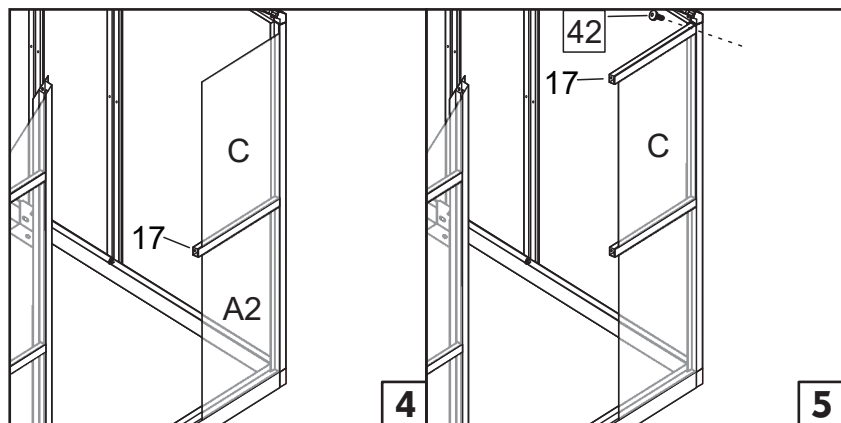
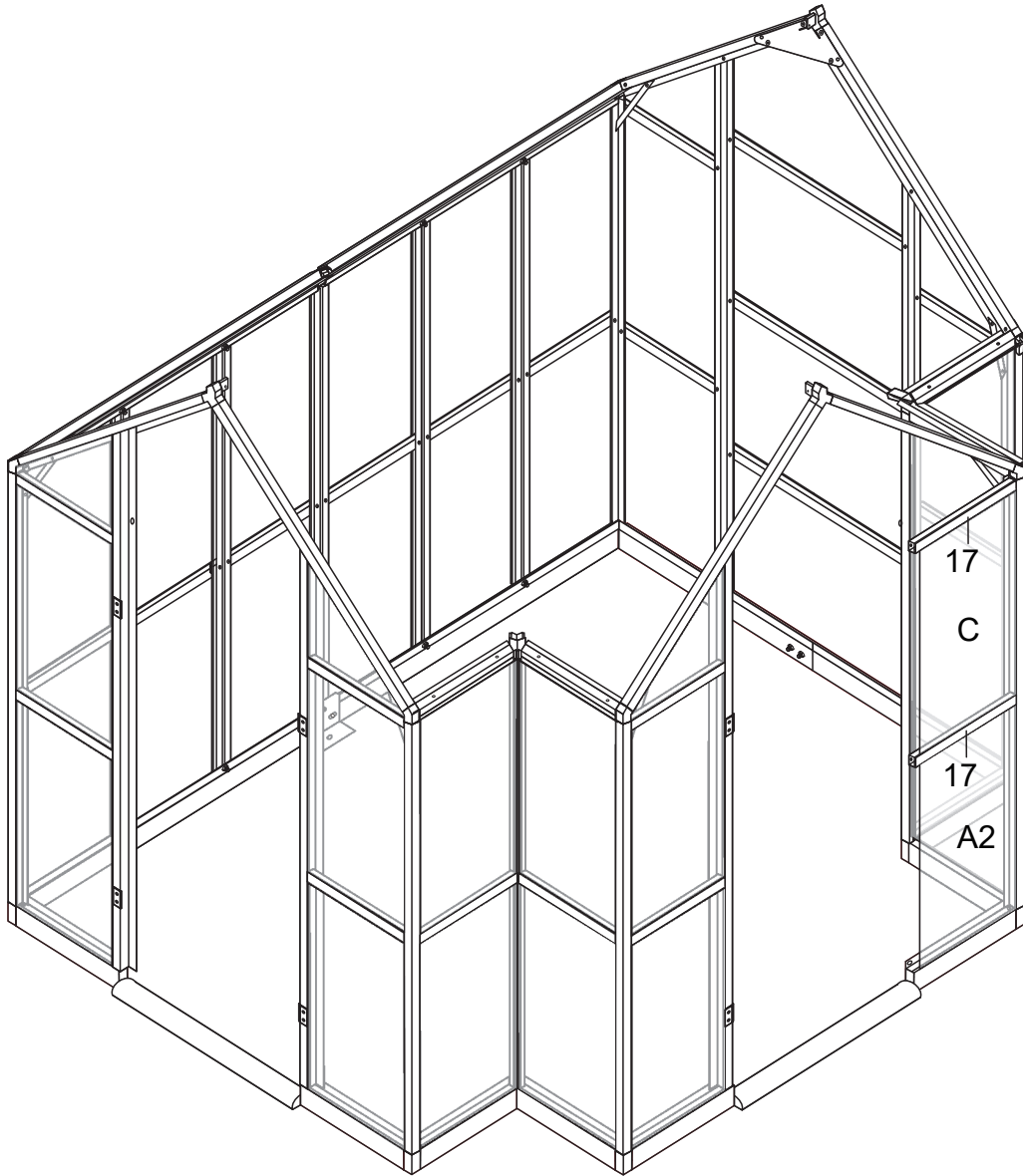
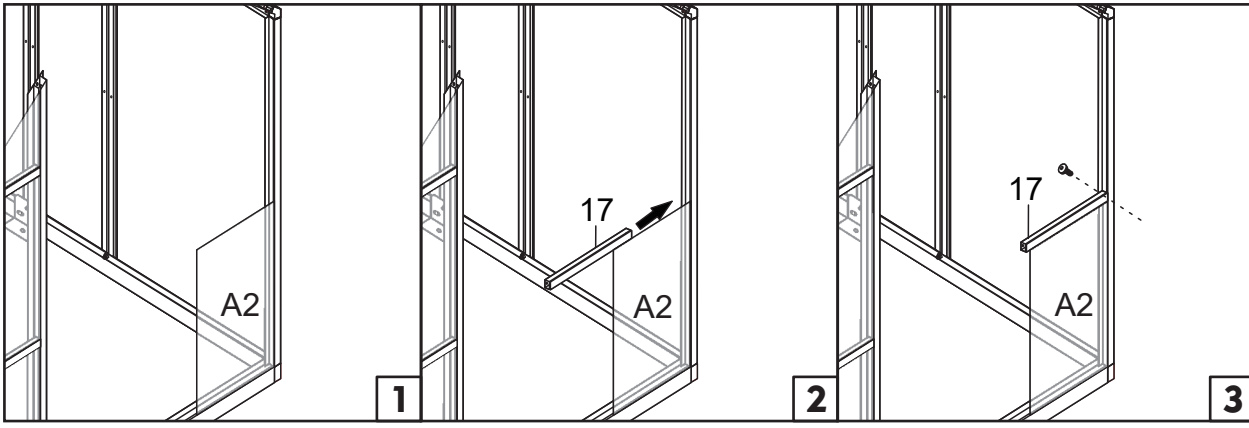


Picture	NO.	Qty.
	C	1
	A2	1
	17	2
	42	2

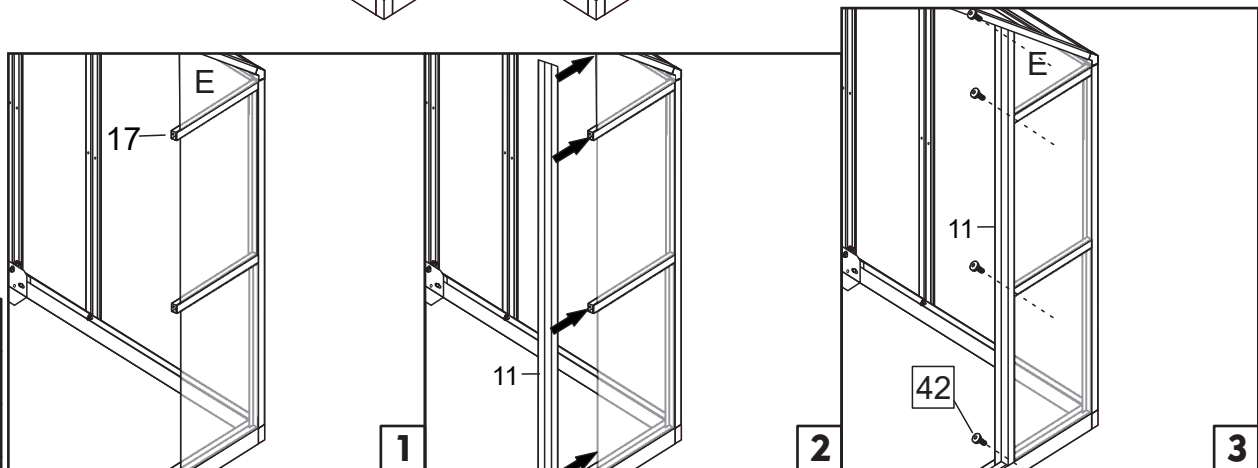
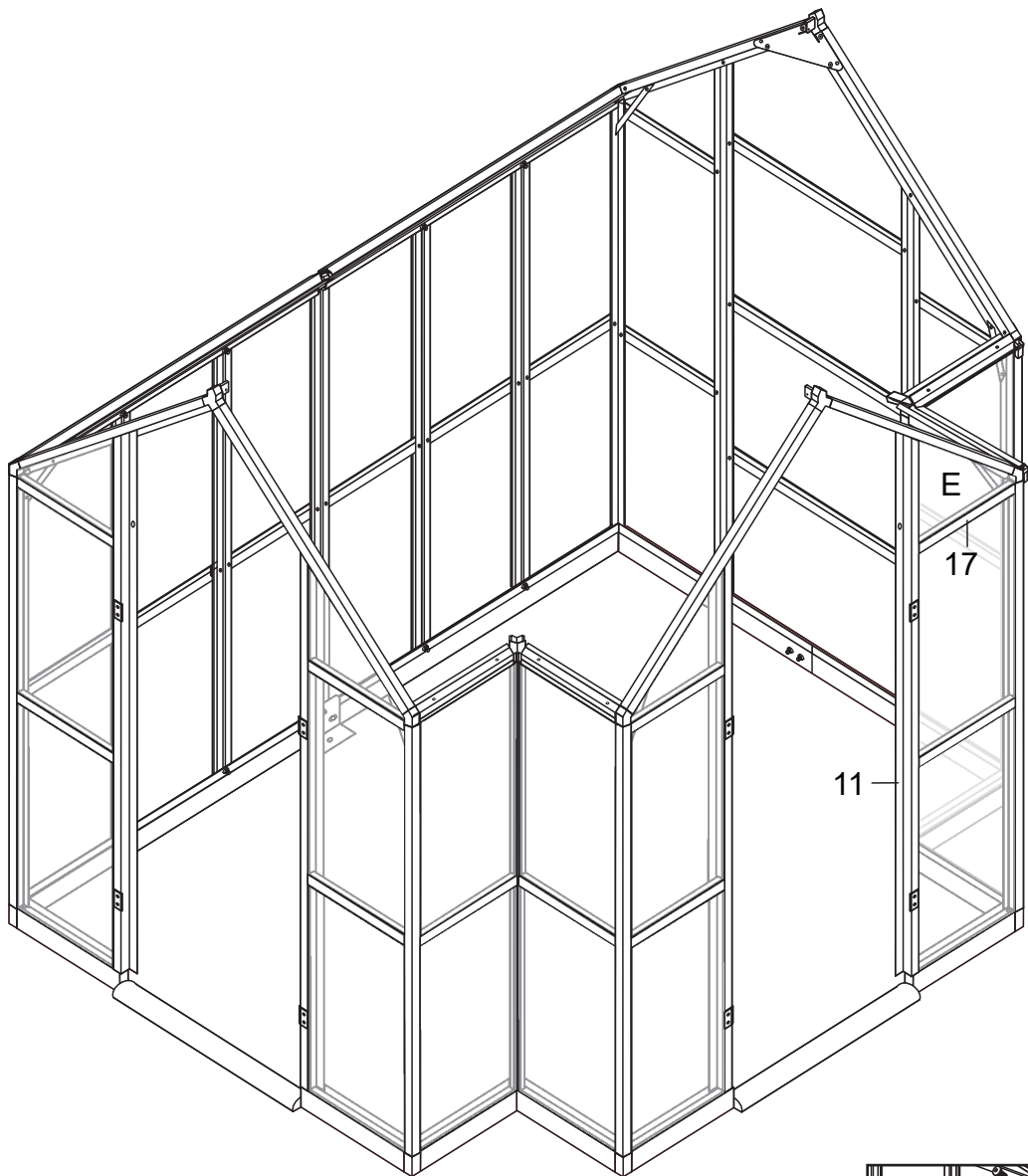


Picture	NO.	Qty.
	E	1
	10	1
	42	4

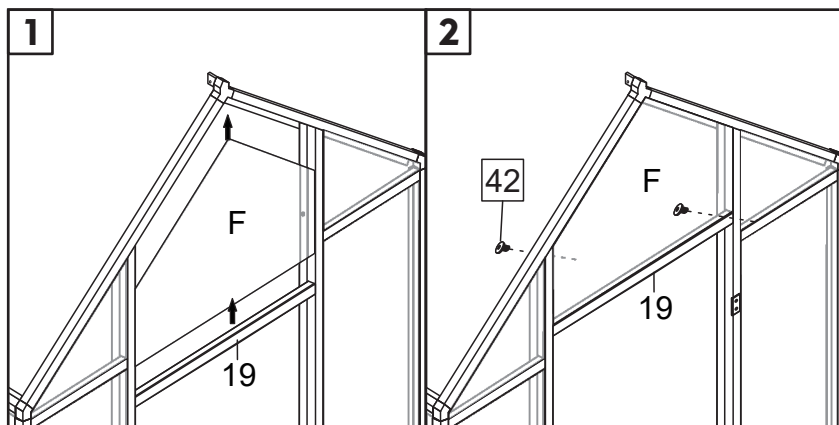
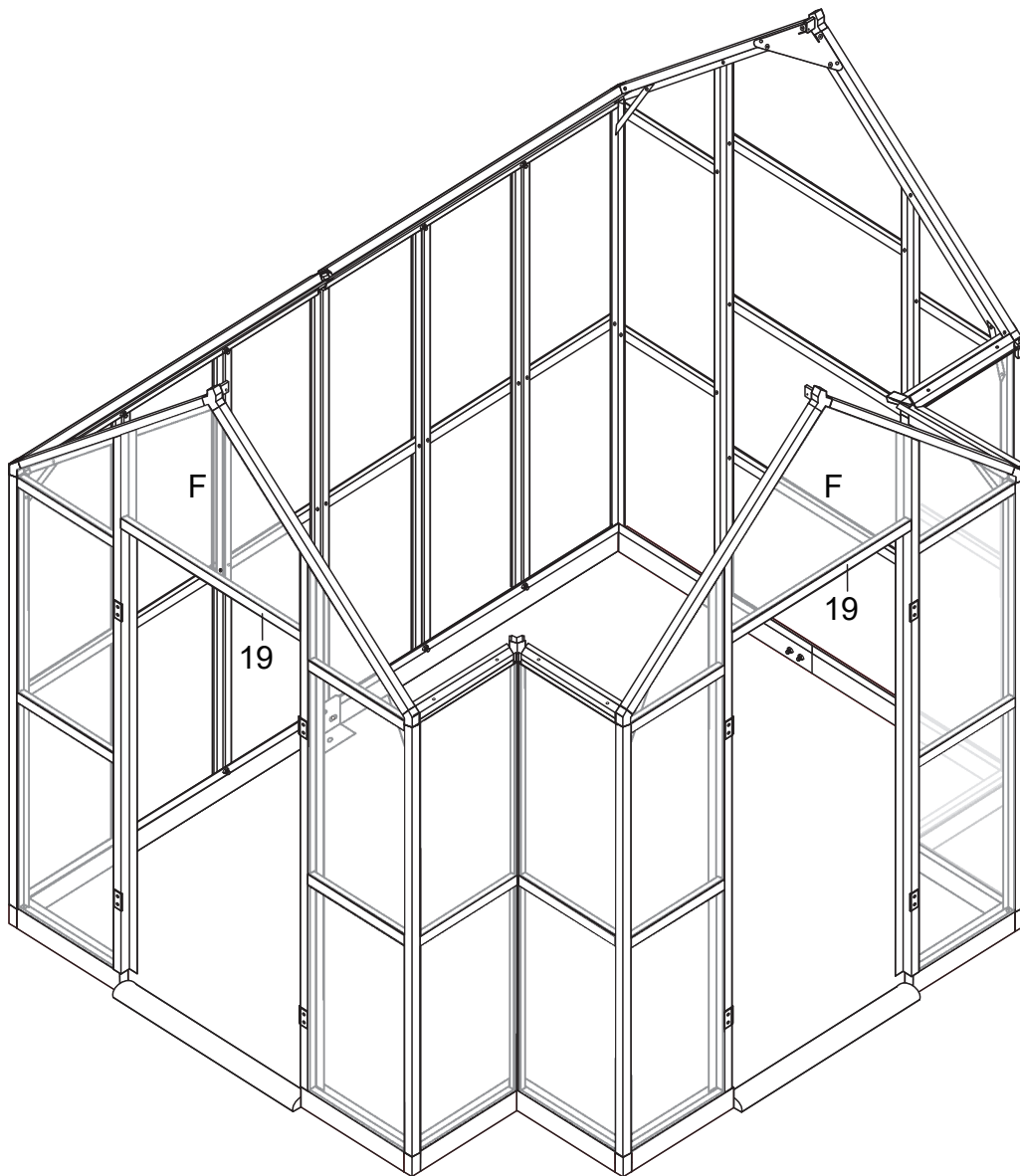
# Step 29



Picture	NO.	Qty.
	C	1
	A2	1
	17	2
	42	2

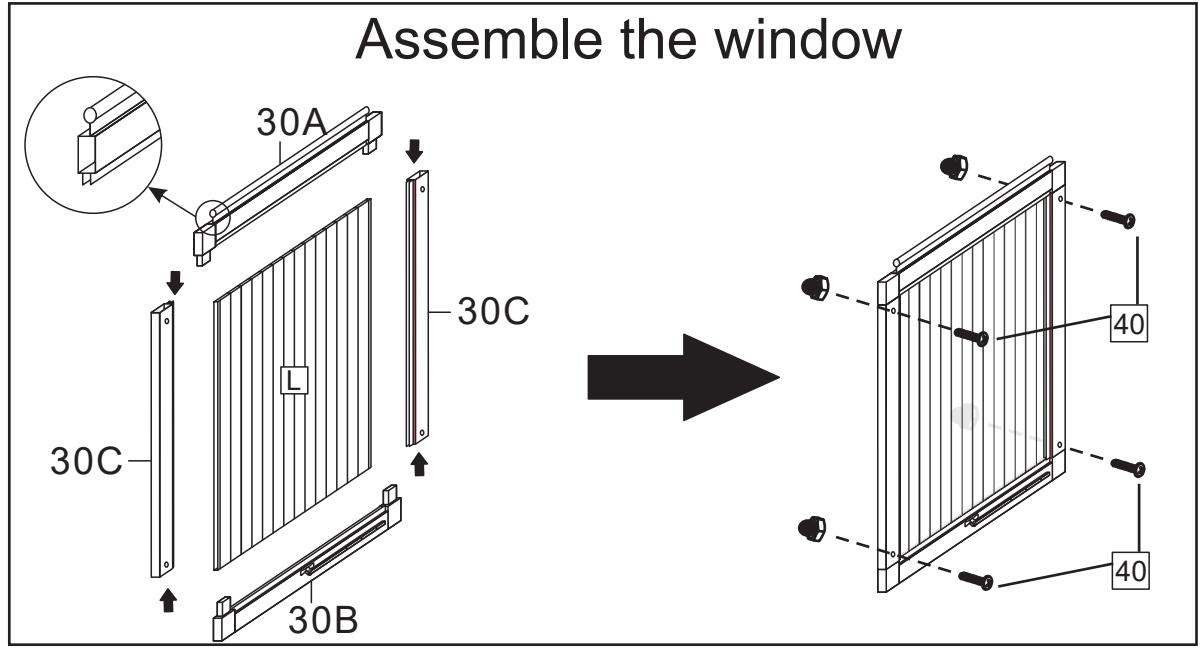
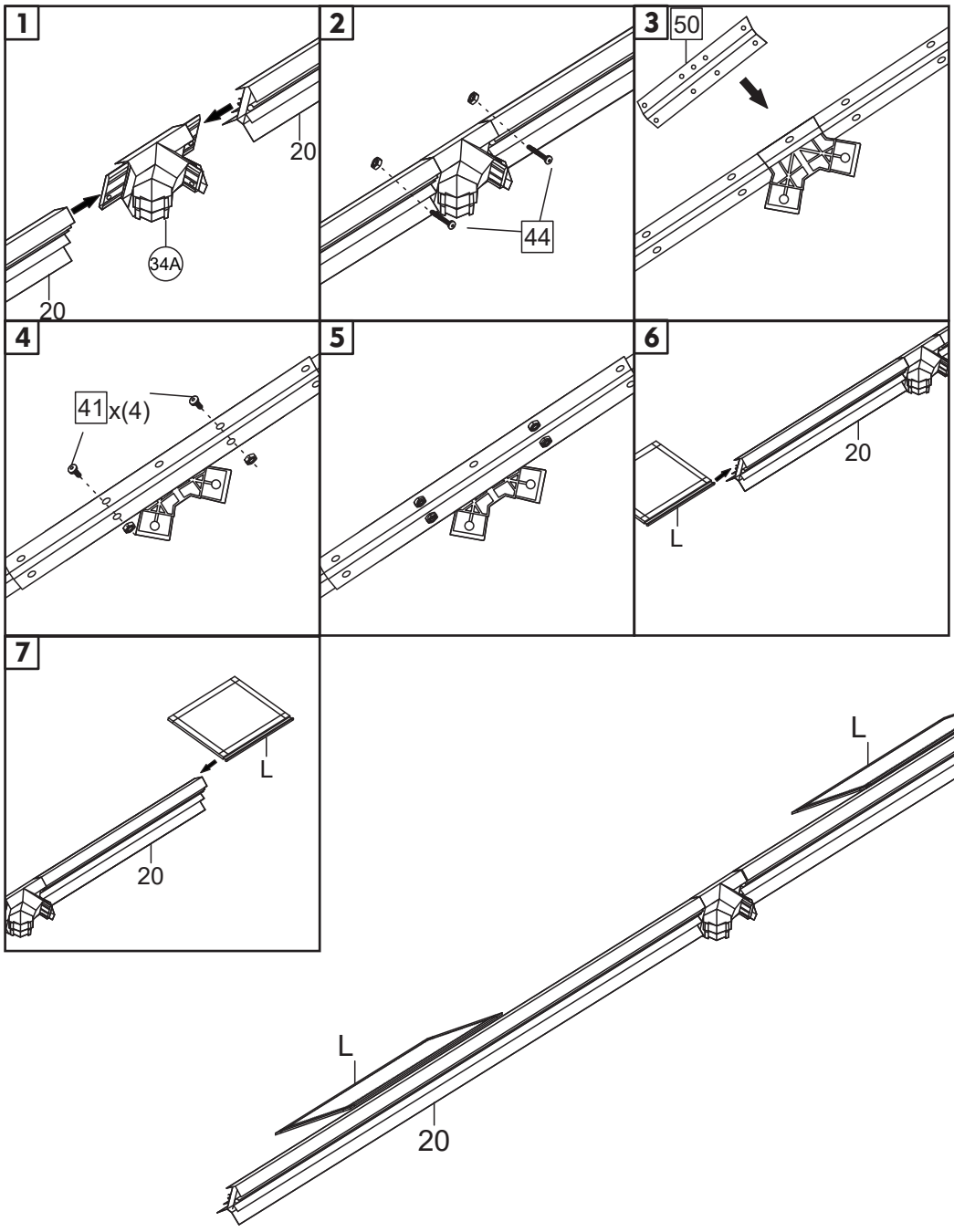


Picture	NO.	Qty.
	E	1
	11	1
	42	4

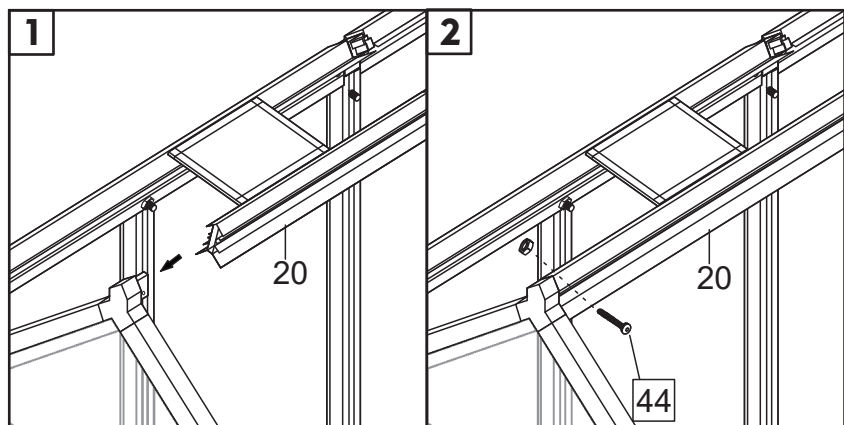
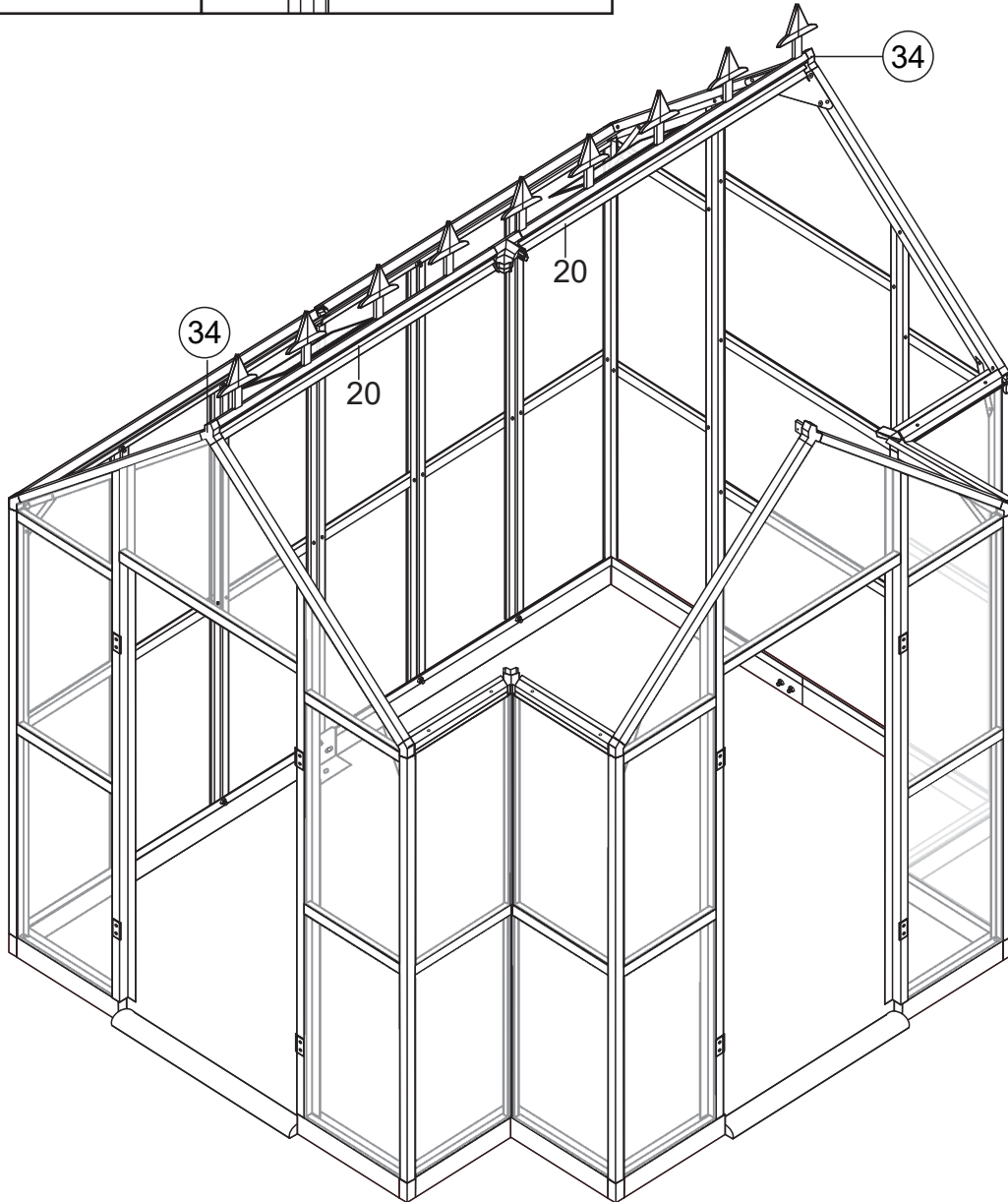
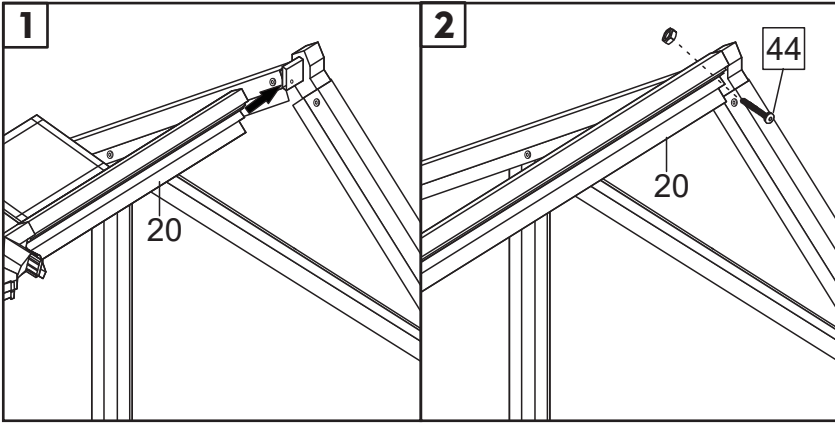



Picture	NO.	Qty.
	19	2
	F	2
	42	4

# Step 32

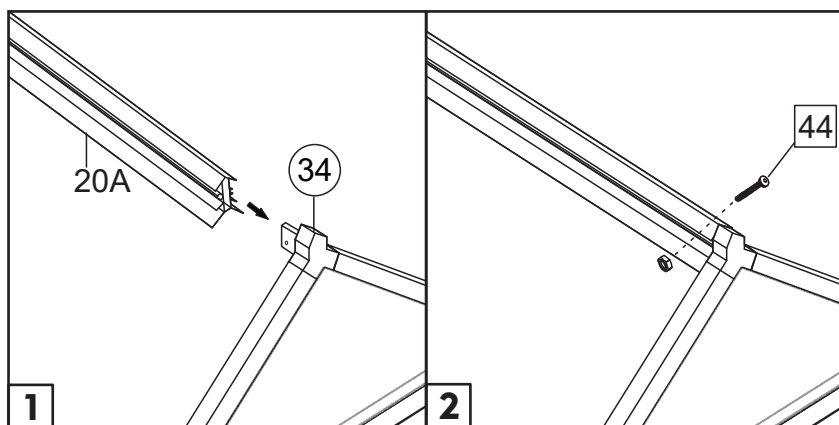
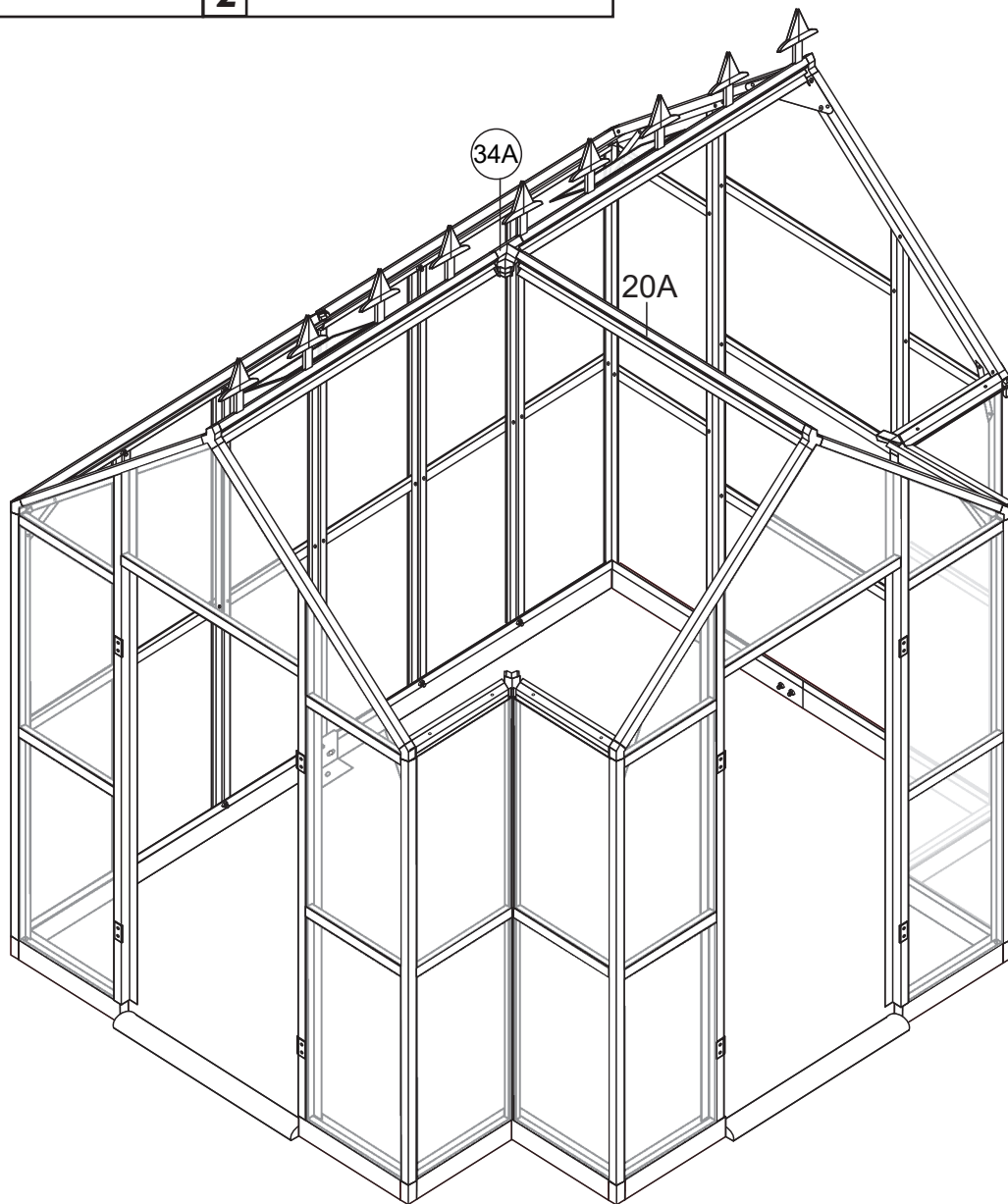
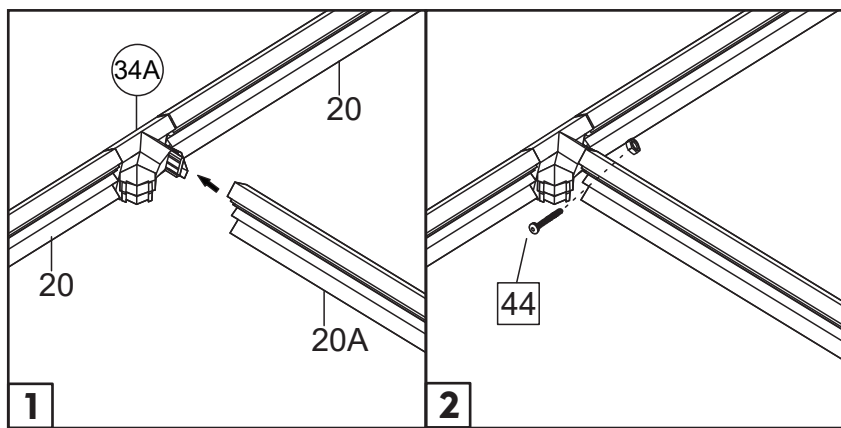




# Step 33



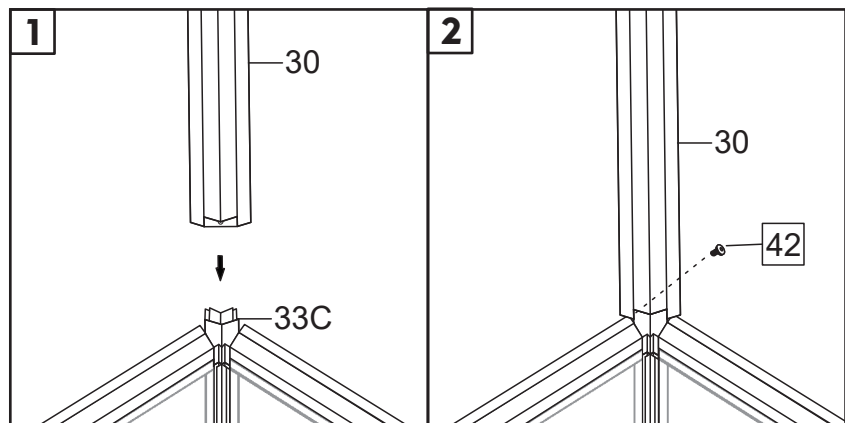
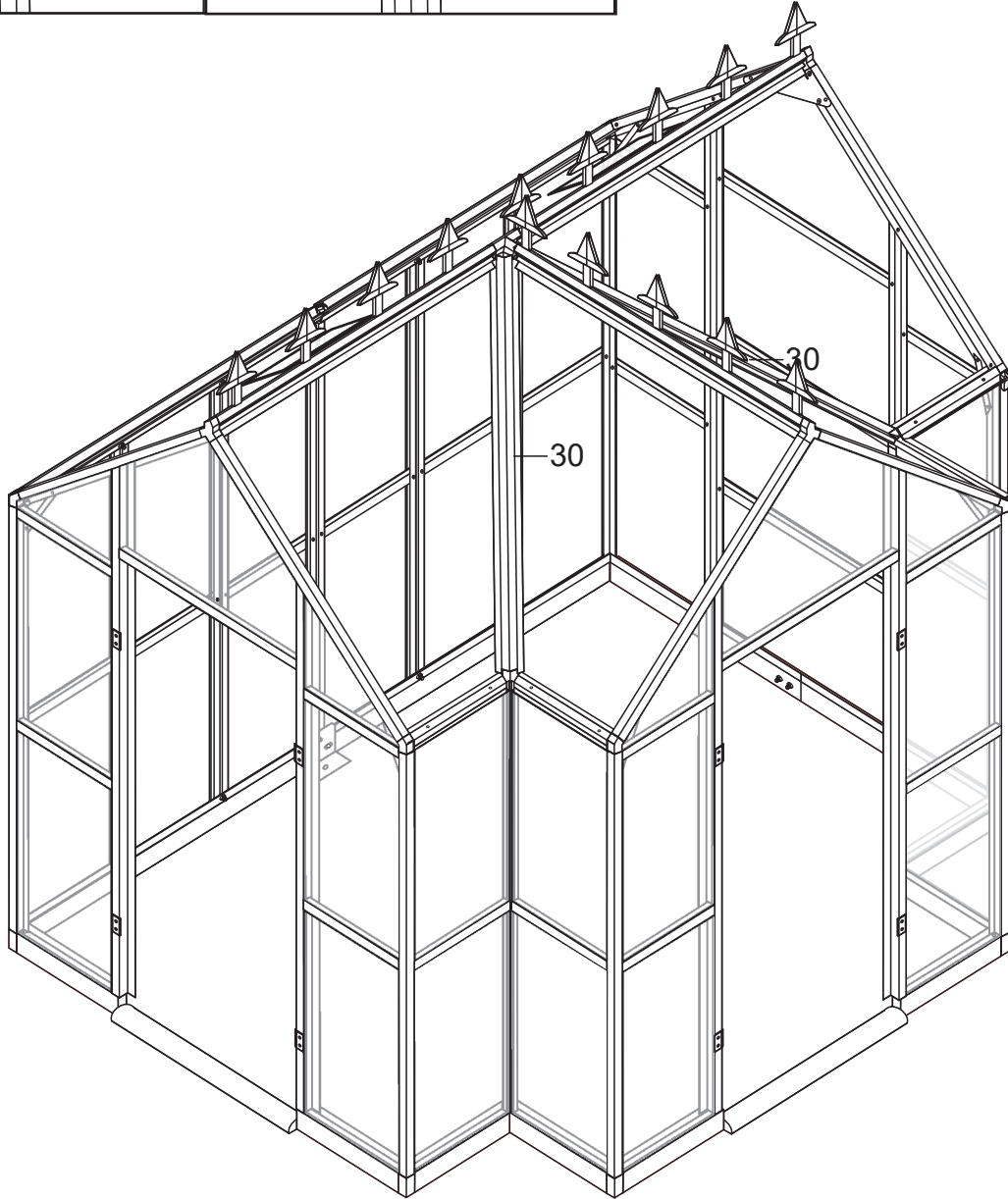
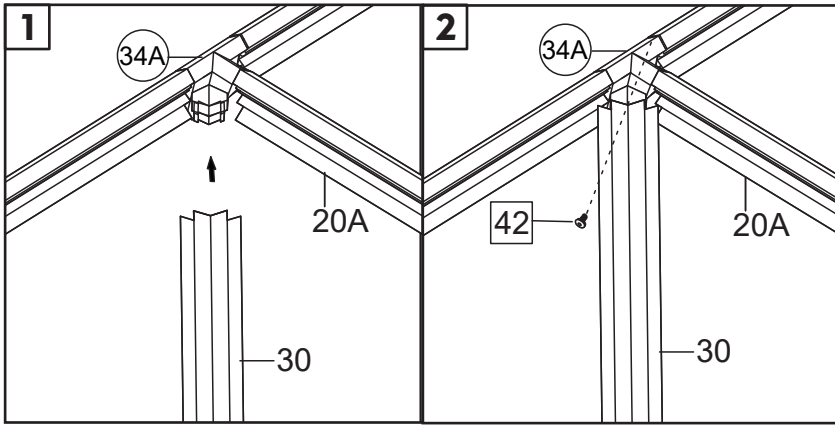
Picture	NO.	Qty.
	44	2

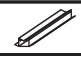

# Step 34



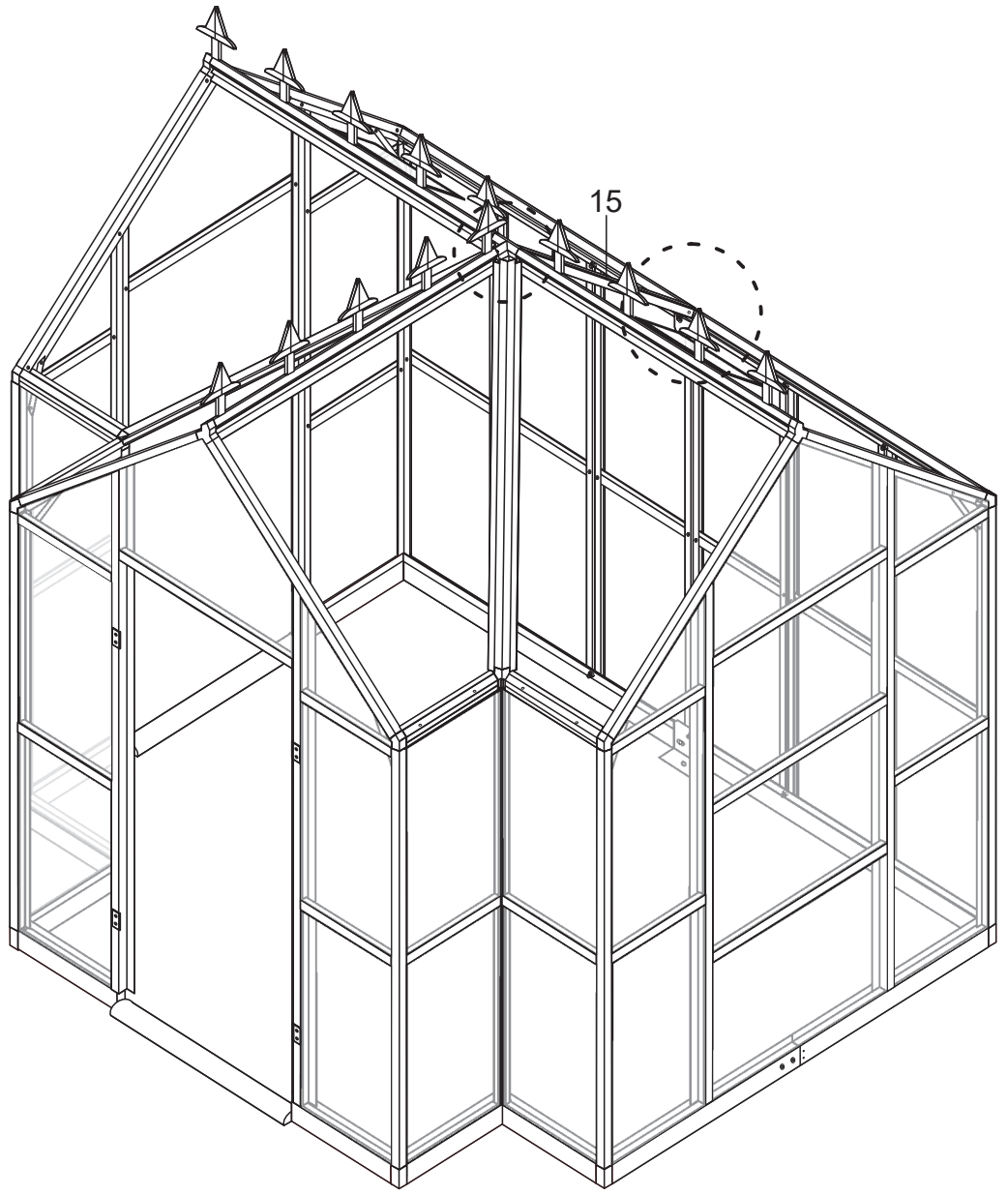
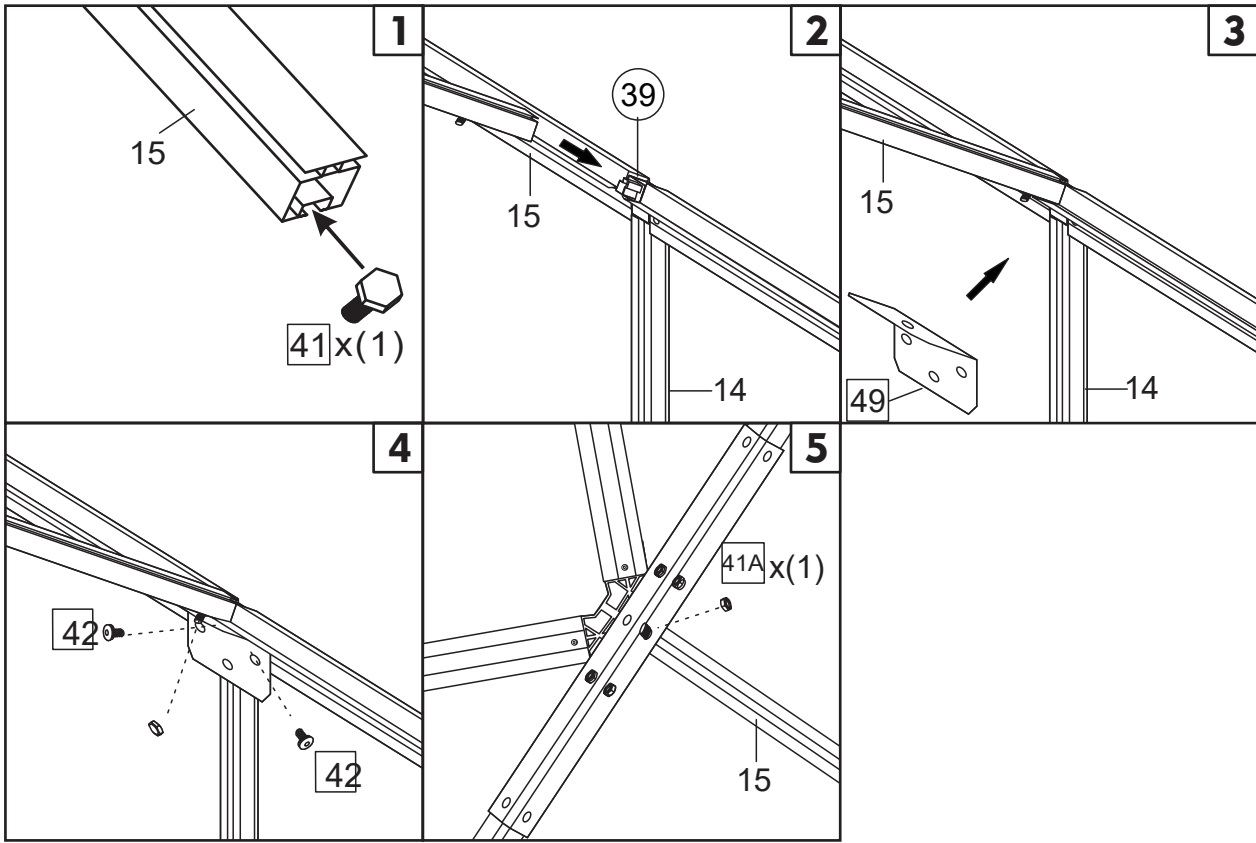
Picture	NO.	Qty.
	20A	1
	44	2

# Step 35



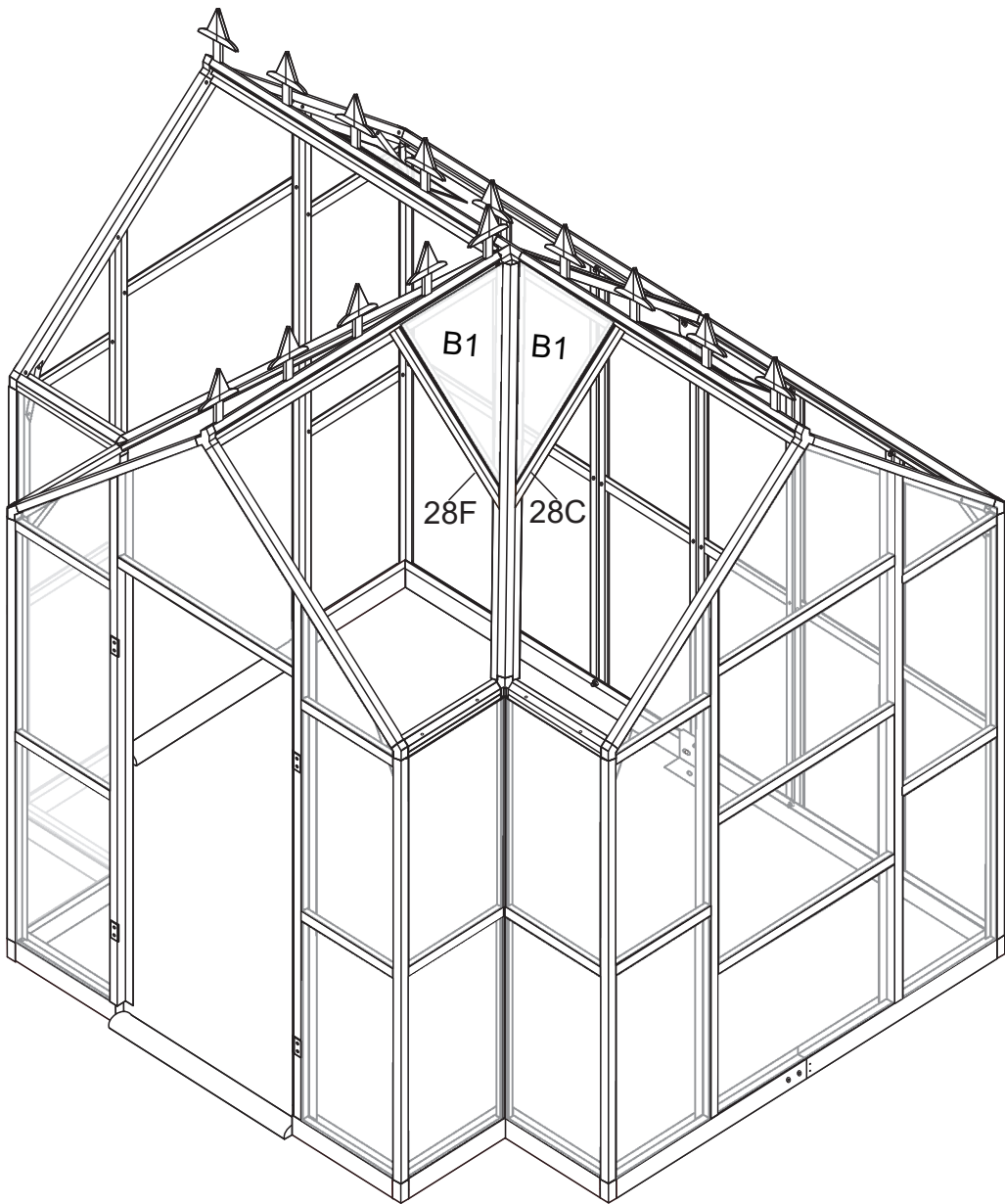
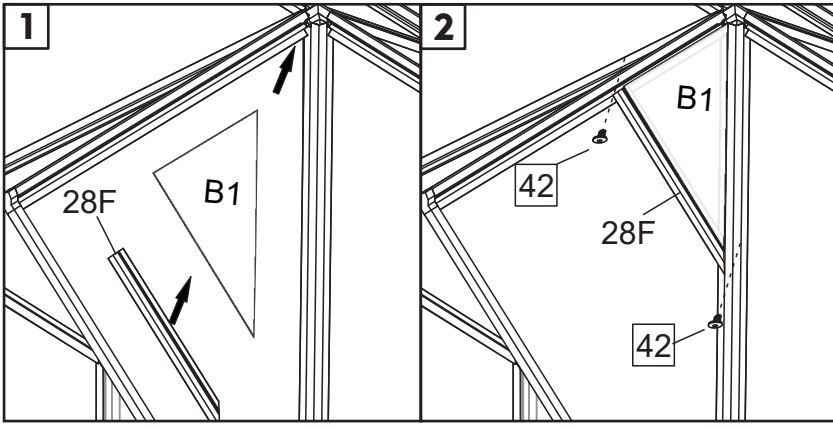
Picture	NO.	Qty.
	30	2
	42	4





# Step 36



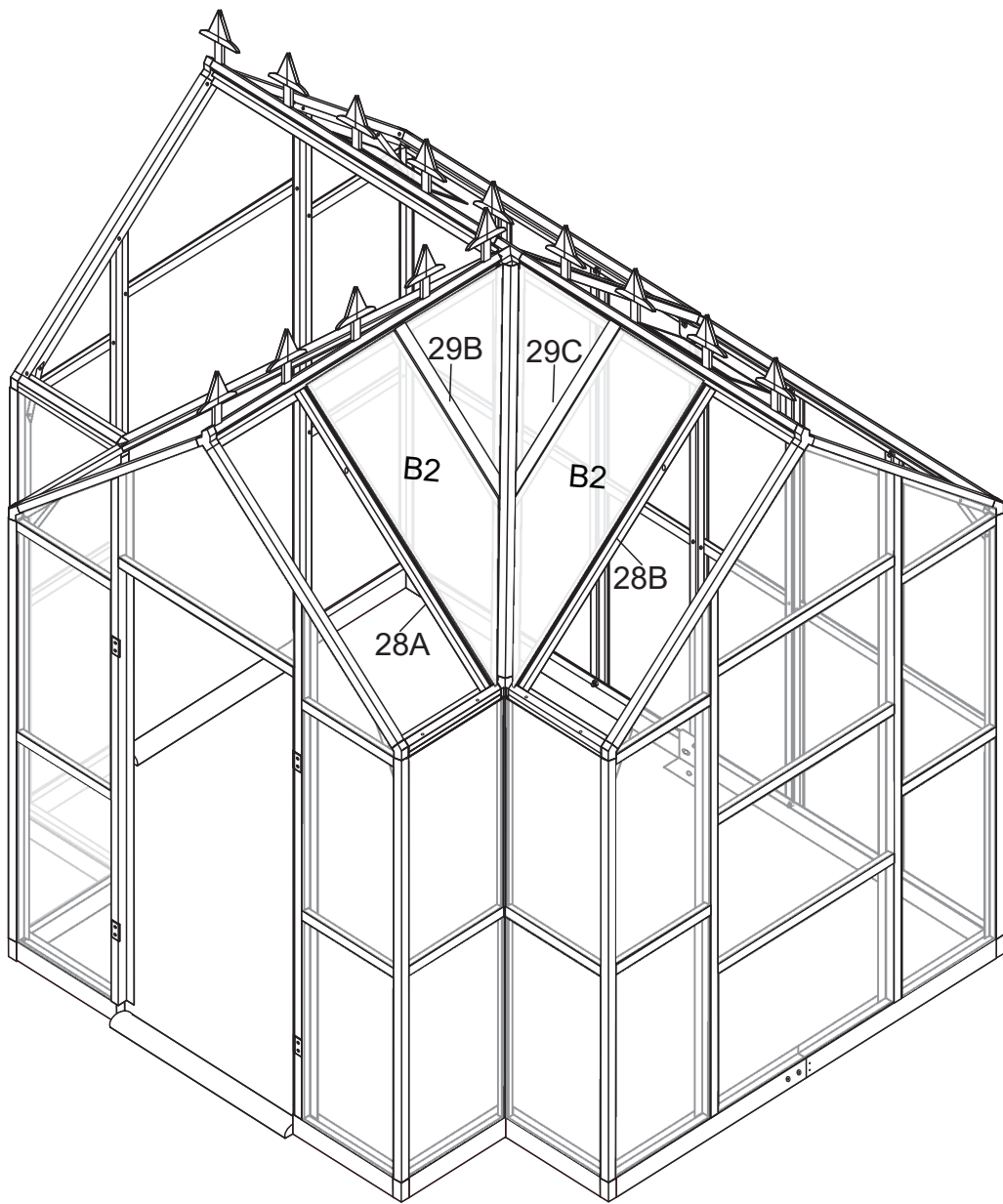
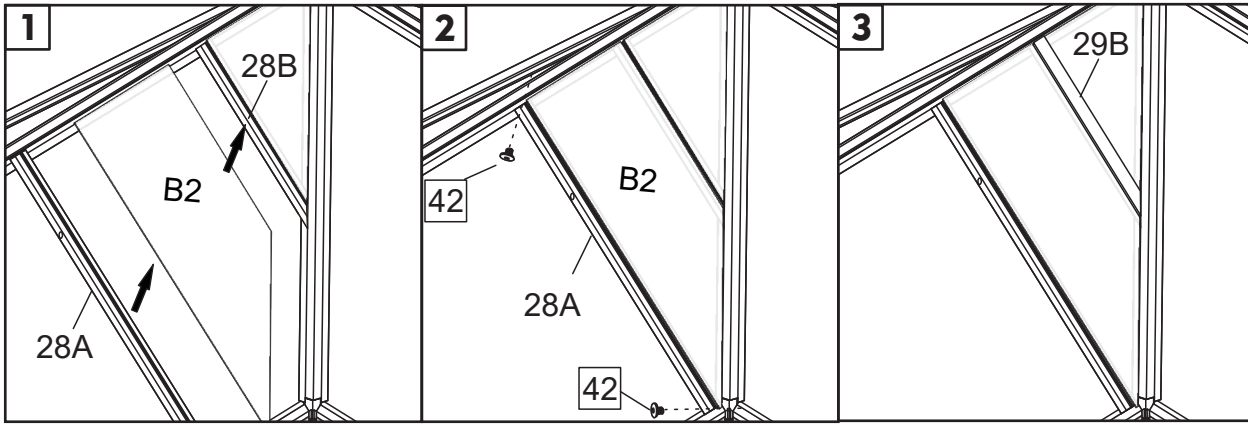
Picture	NO.	Qty.
	15	1
	41	1
	41A	1
	42	2
	49	1

# Step 37



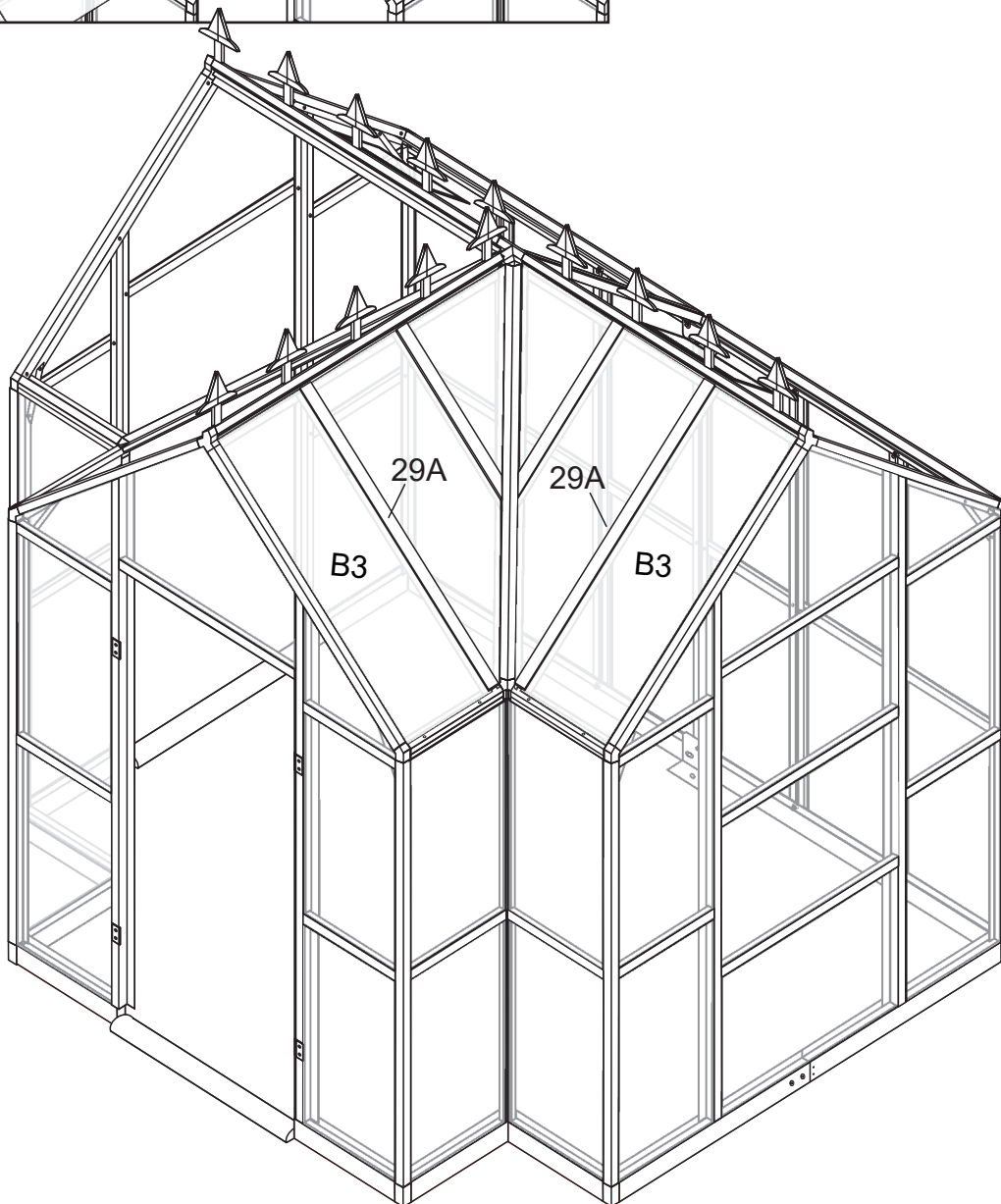
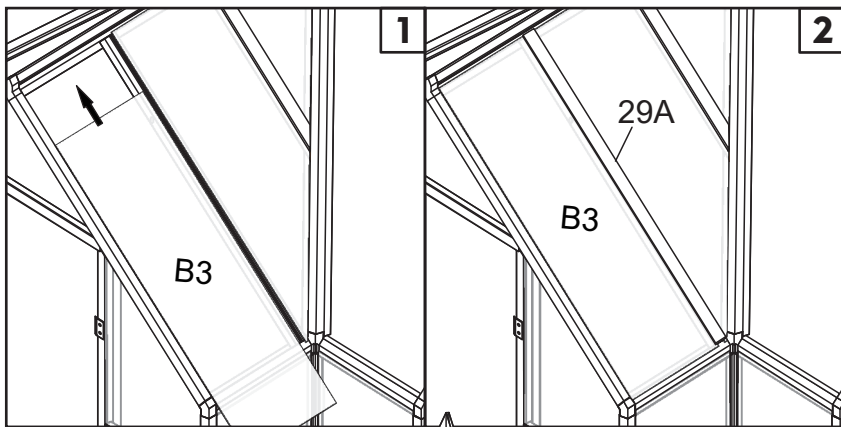
Picture	NO.	Qty.
	B1	2
	28F	1
	28C	1
	42	4



# Step 38



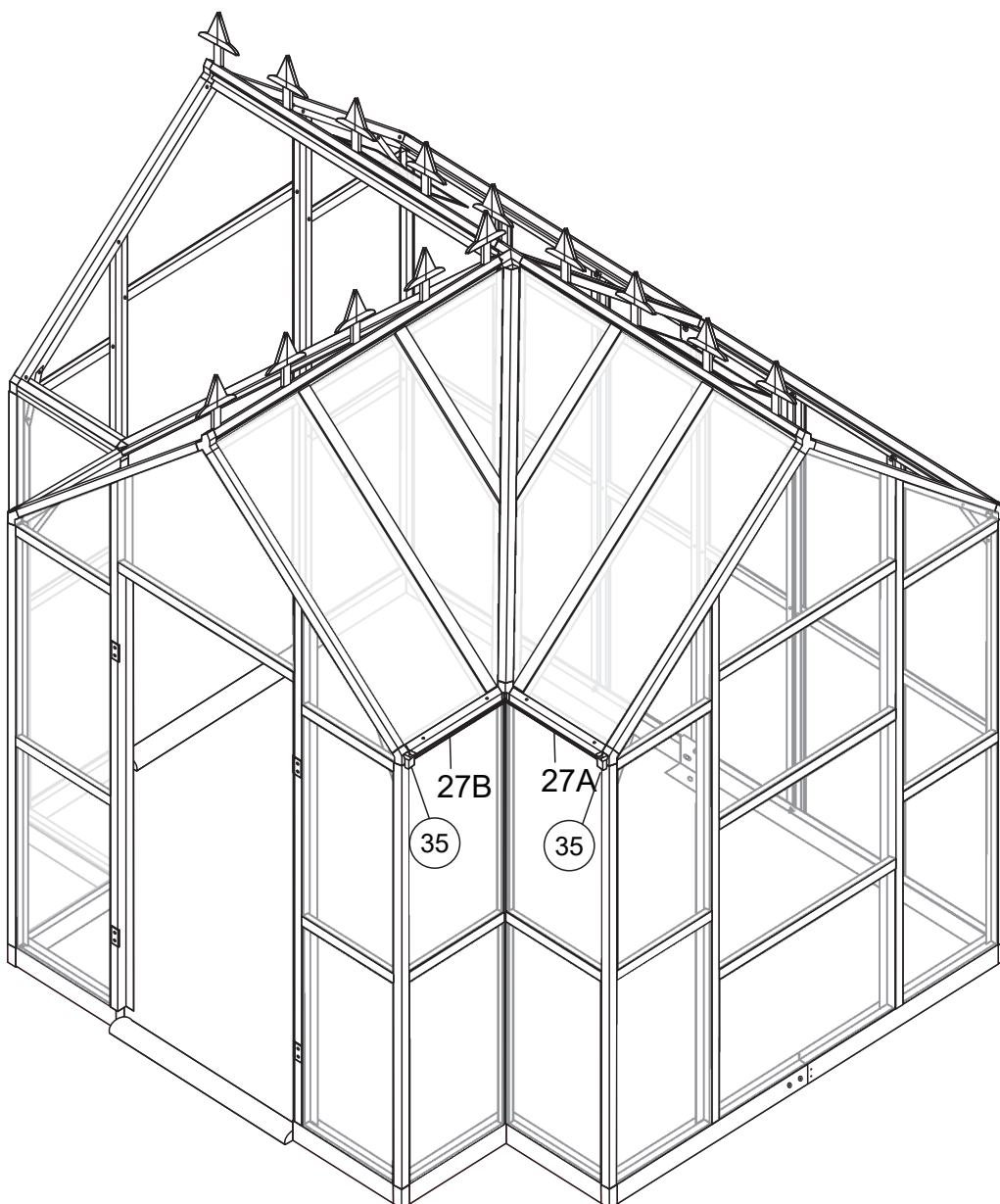
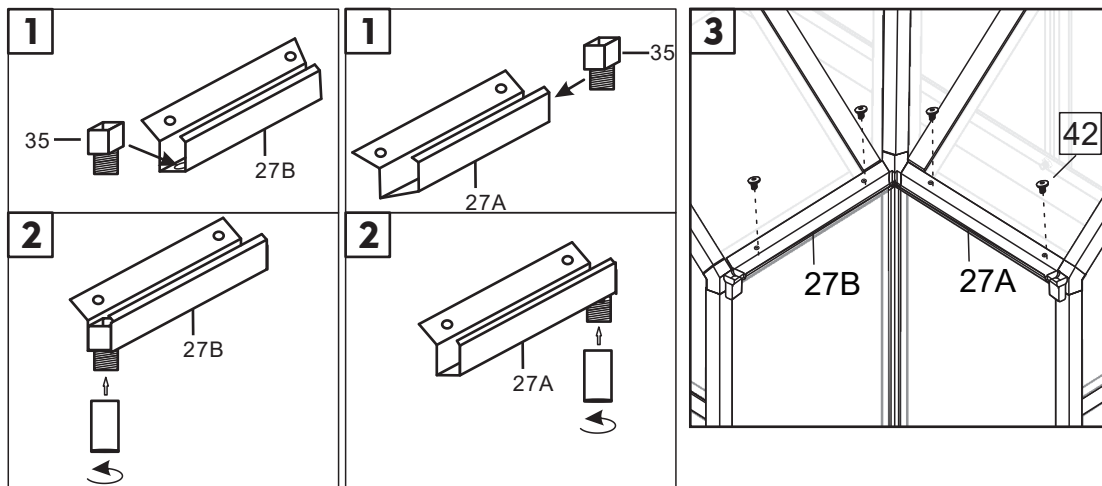
Picture	NO.	Qty.
	28A	1
	28B	1
	29B	1
	29C	1
	42	4

# Step 39



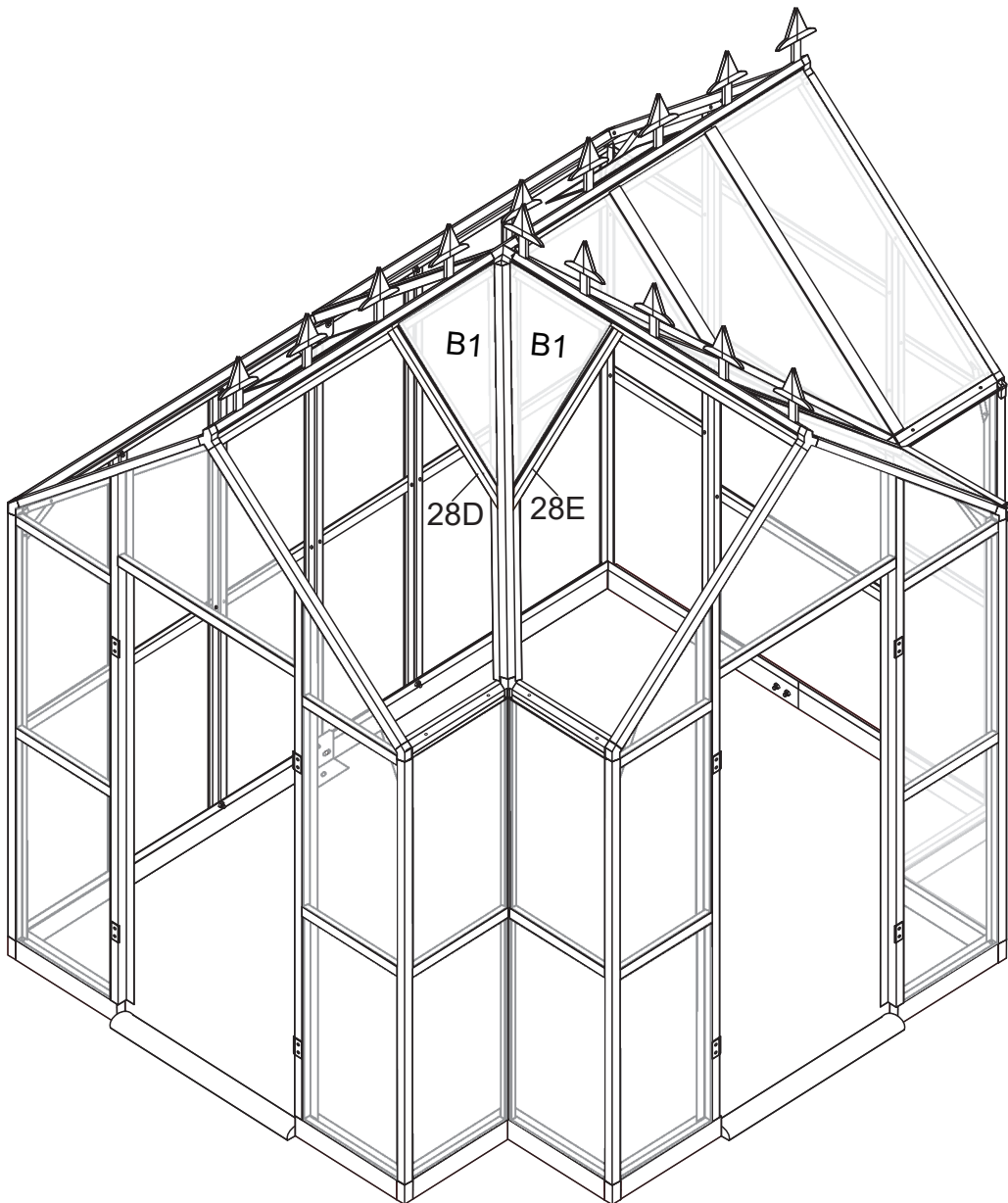
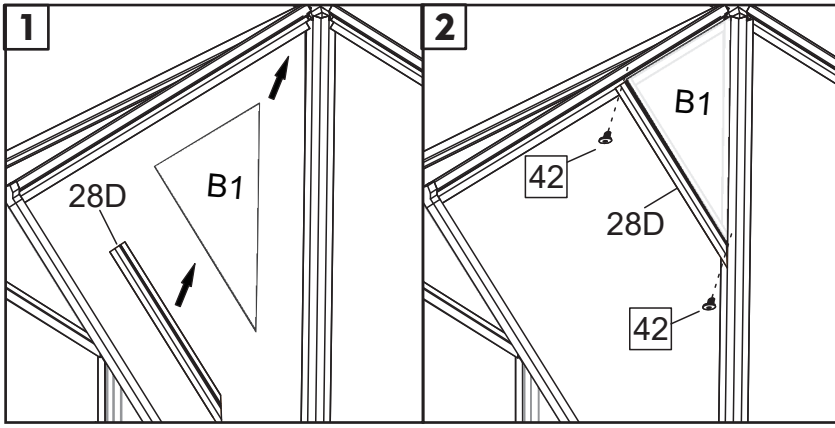
Picture	NO.	Qty.
	B3	2
	29A	2

# Step 40



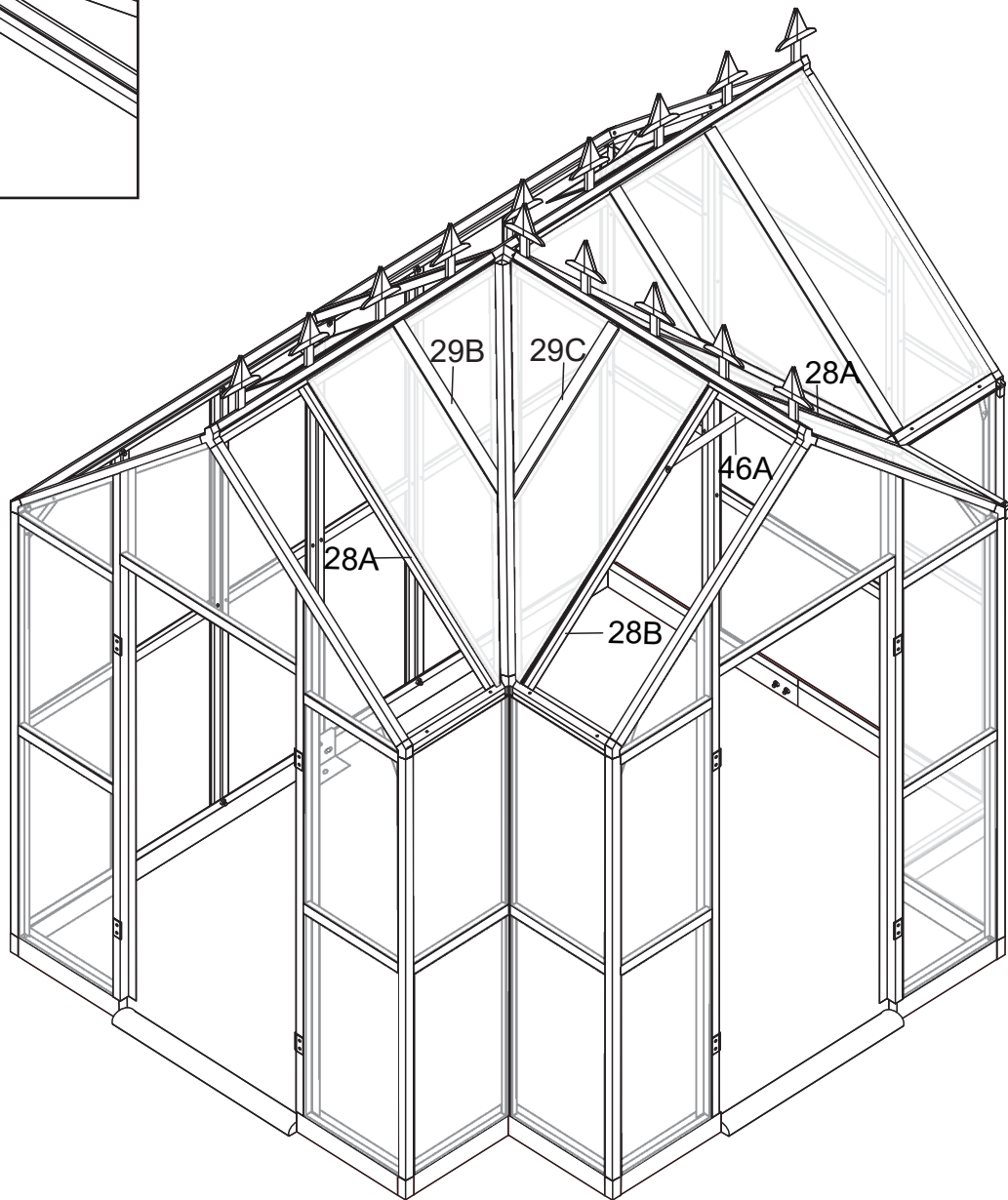
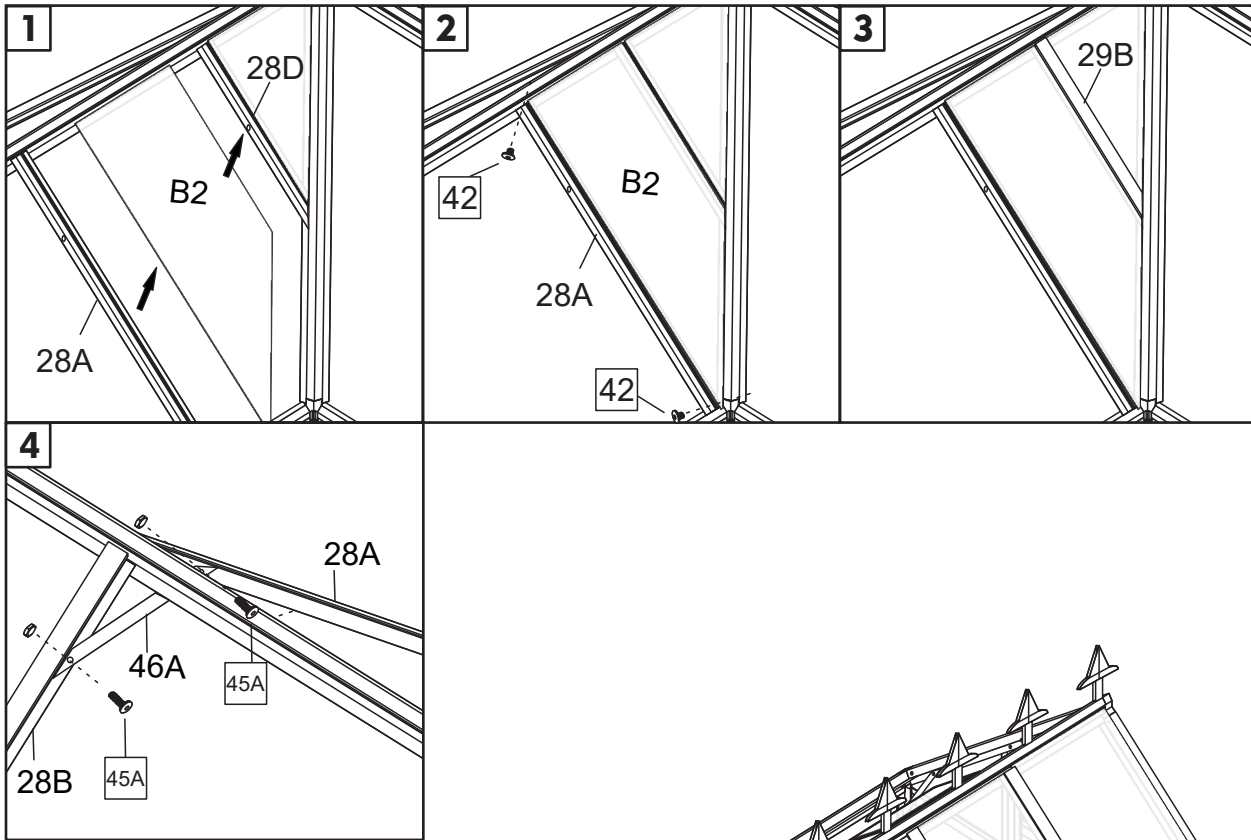
Picture	NO.	Qty.
	27A	1
	27B	1
	35	2
	42	4

# Step 41



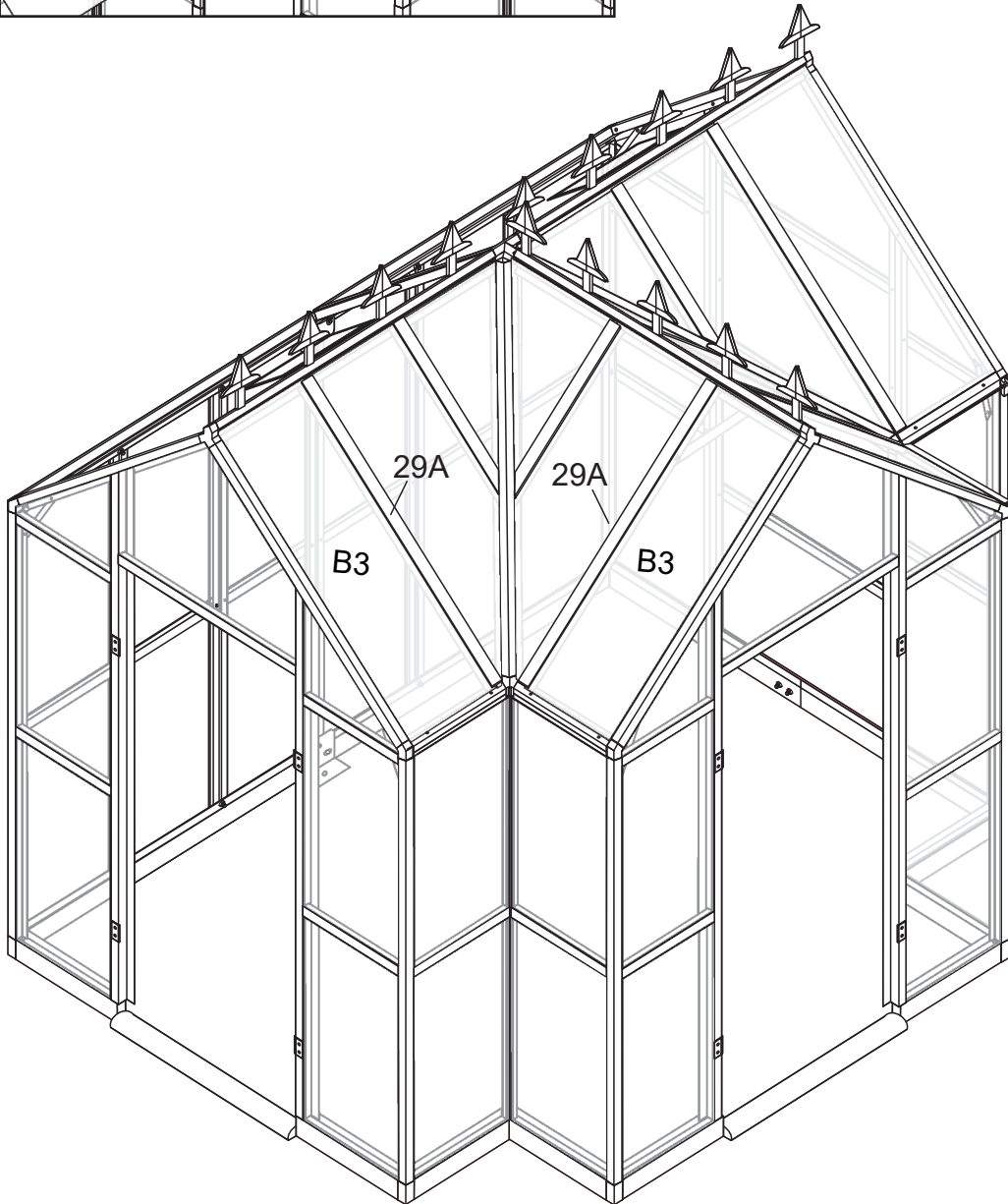
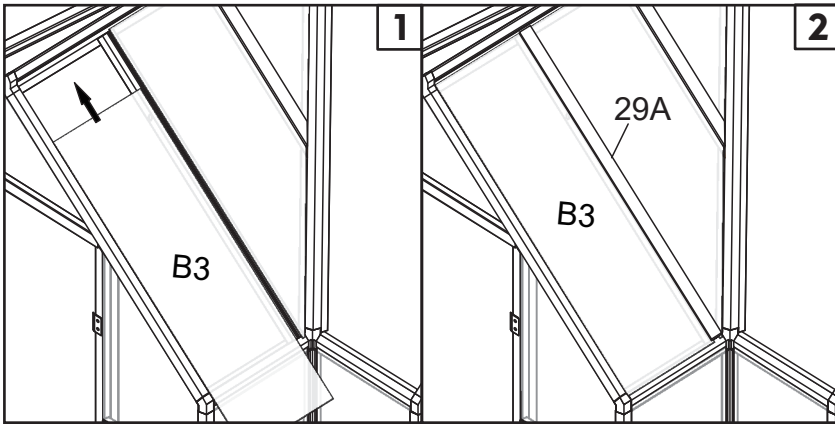
Picture	NO.	Qty.
	B1	2
	28D	1
	28E	1
	42	4



# Step 42



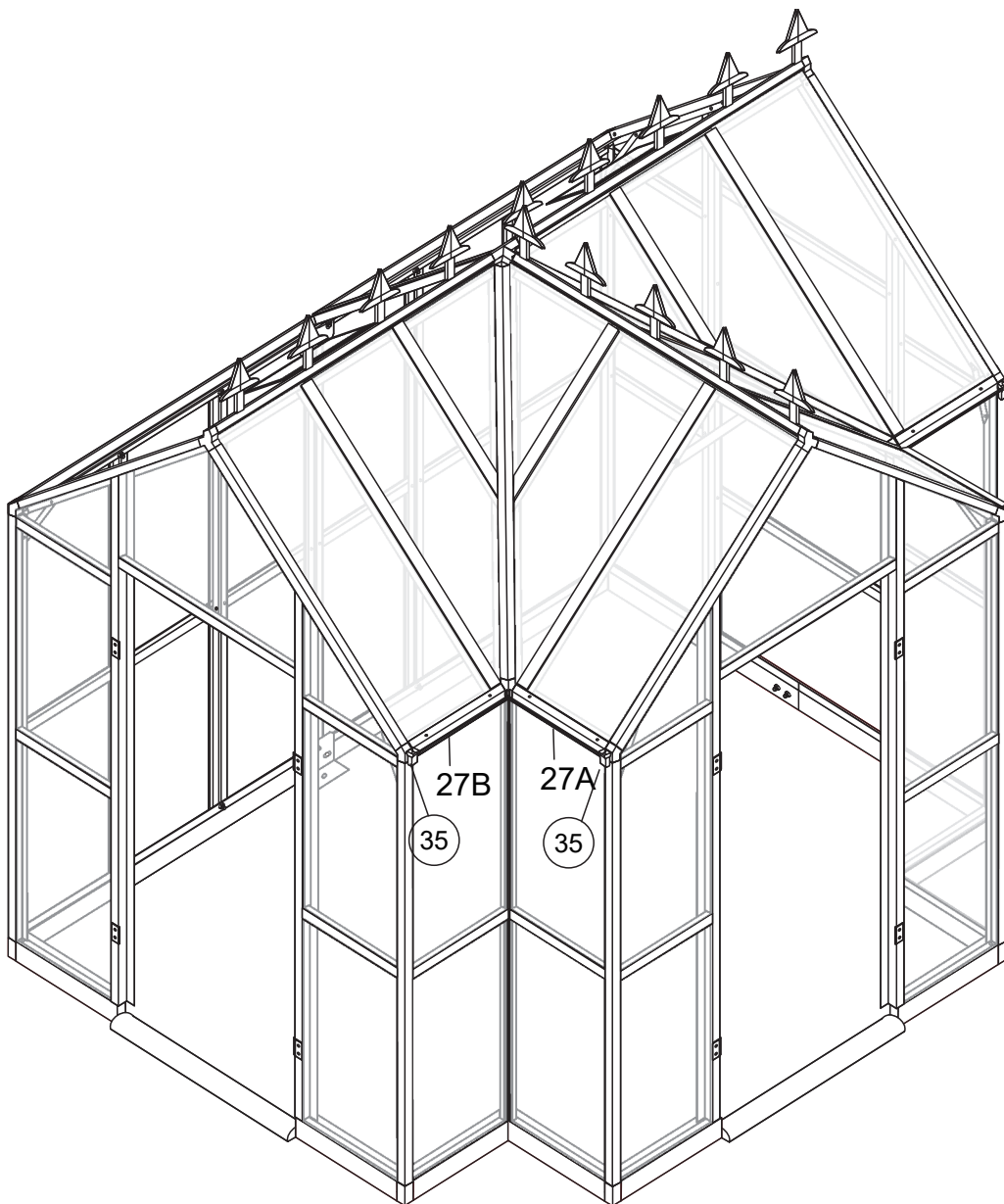
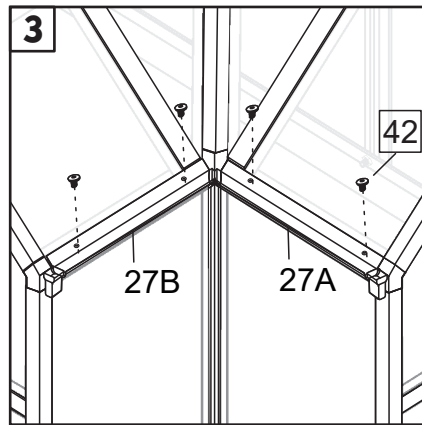
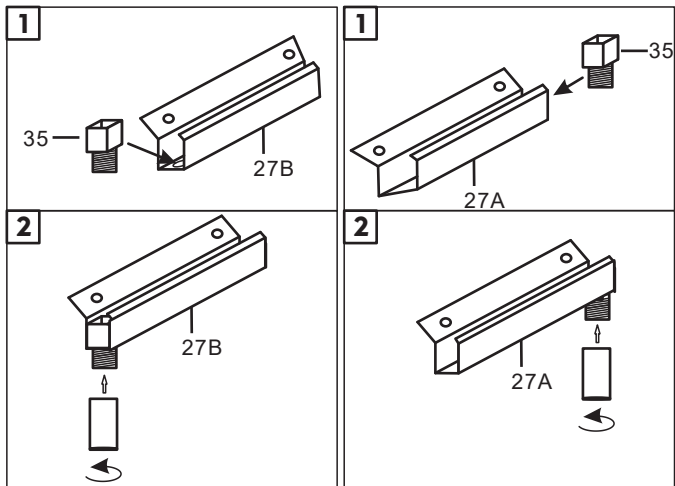
Picture	NO.	Qty.
	28A	1
	28B	1
	29B	1
	29C	1
	42	4
	45A	2
	46A	1

# Step 43

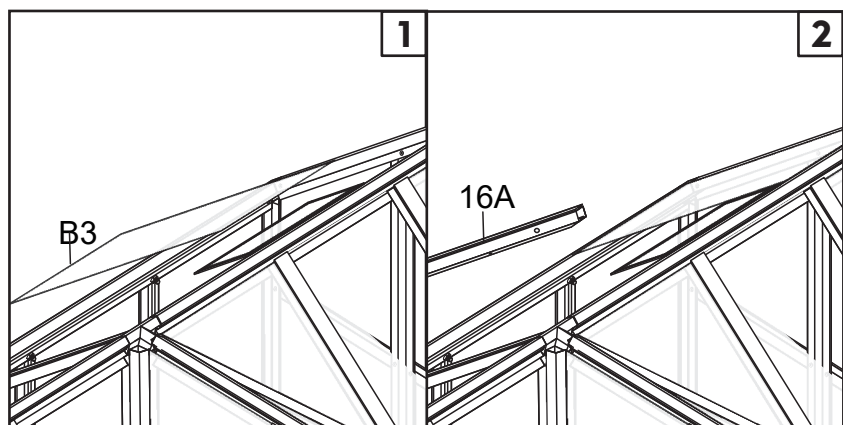
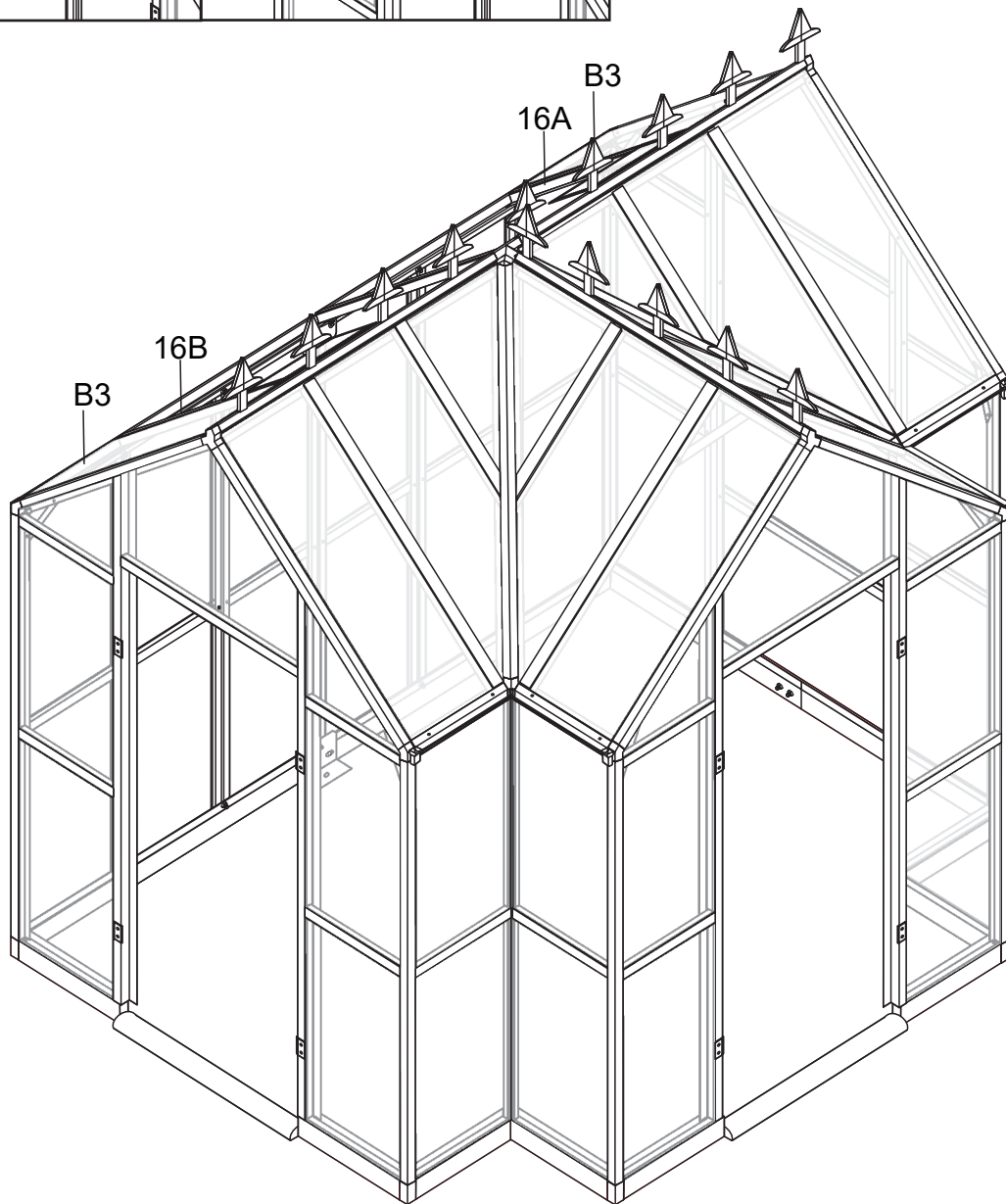
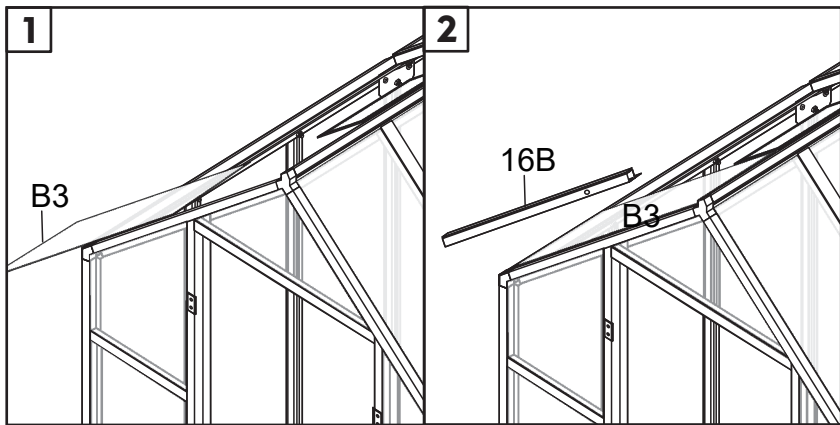






Picture	NO.	Qty.
	B3	2
	29A	2

# Step 44

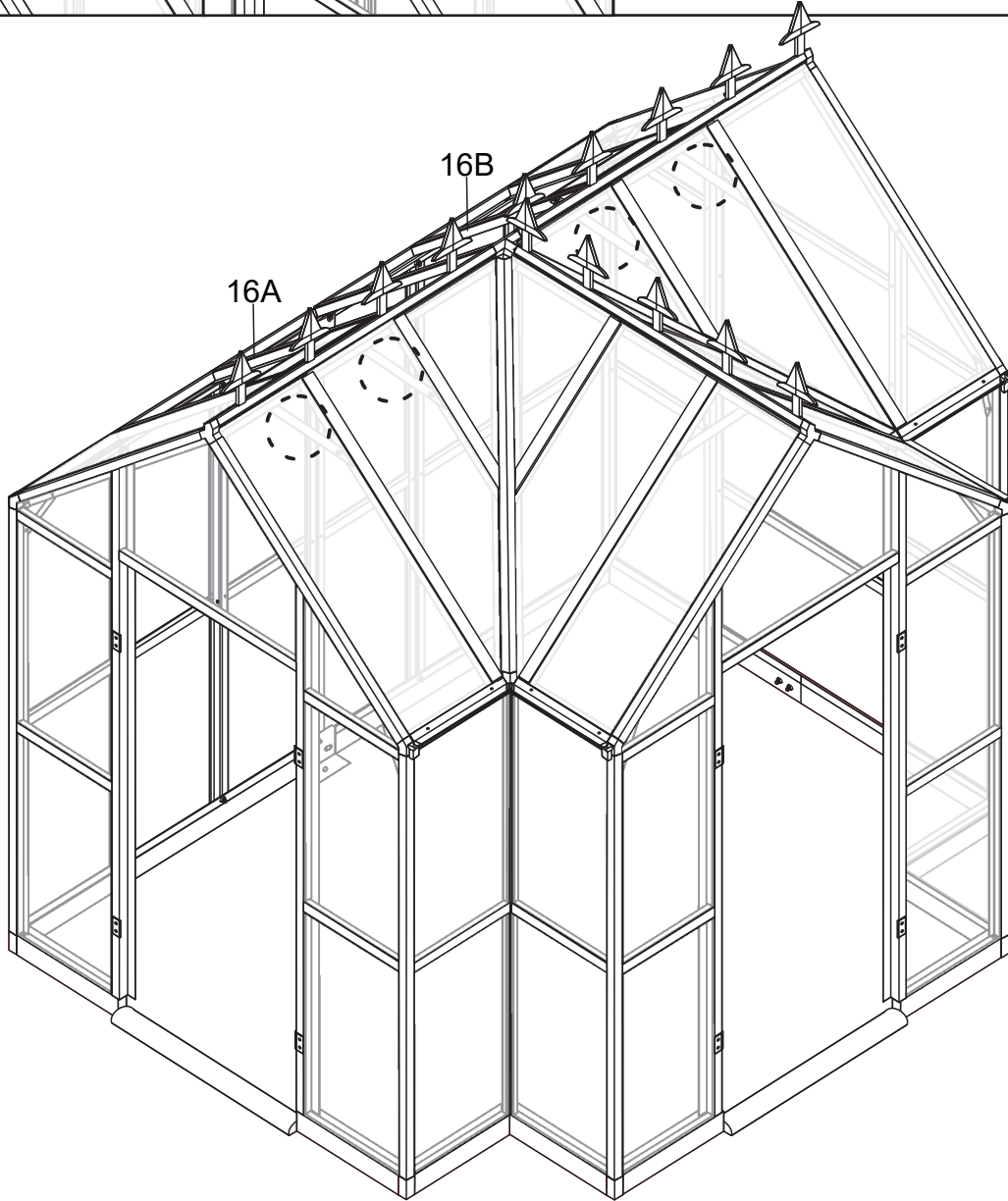
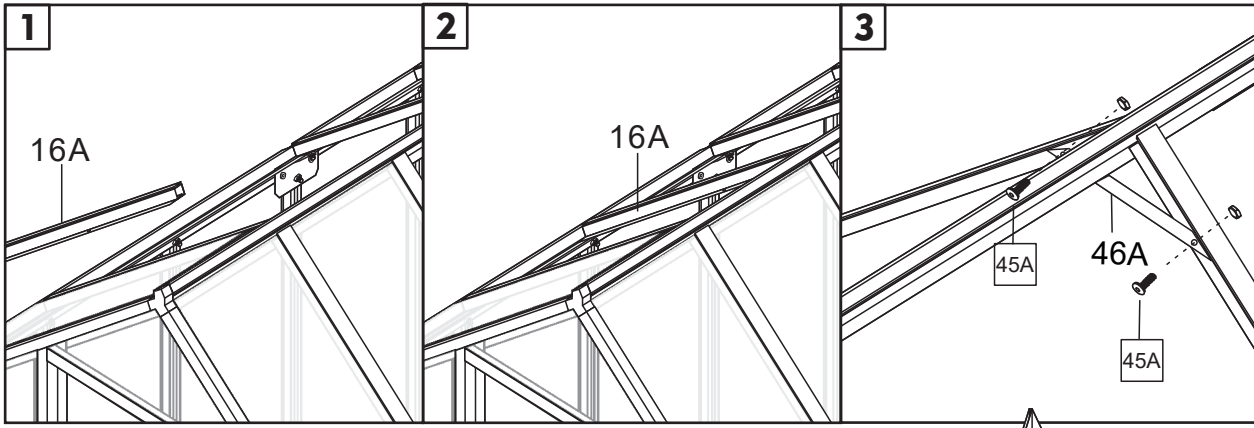







Picture	NO.	Qty.
	27A	1
	27B	1
	35	2
	42	4



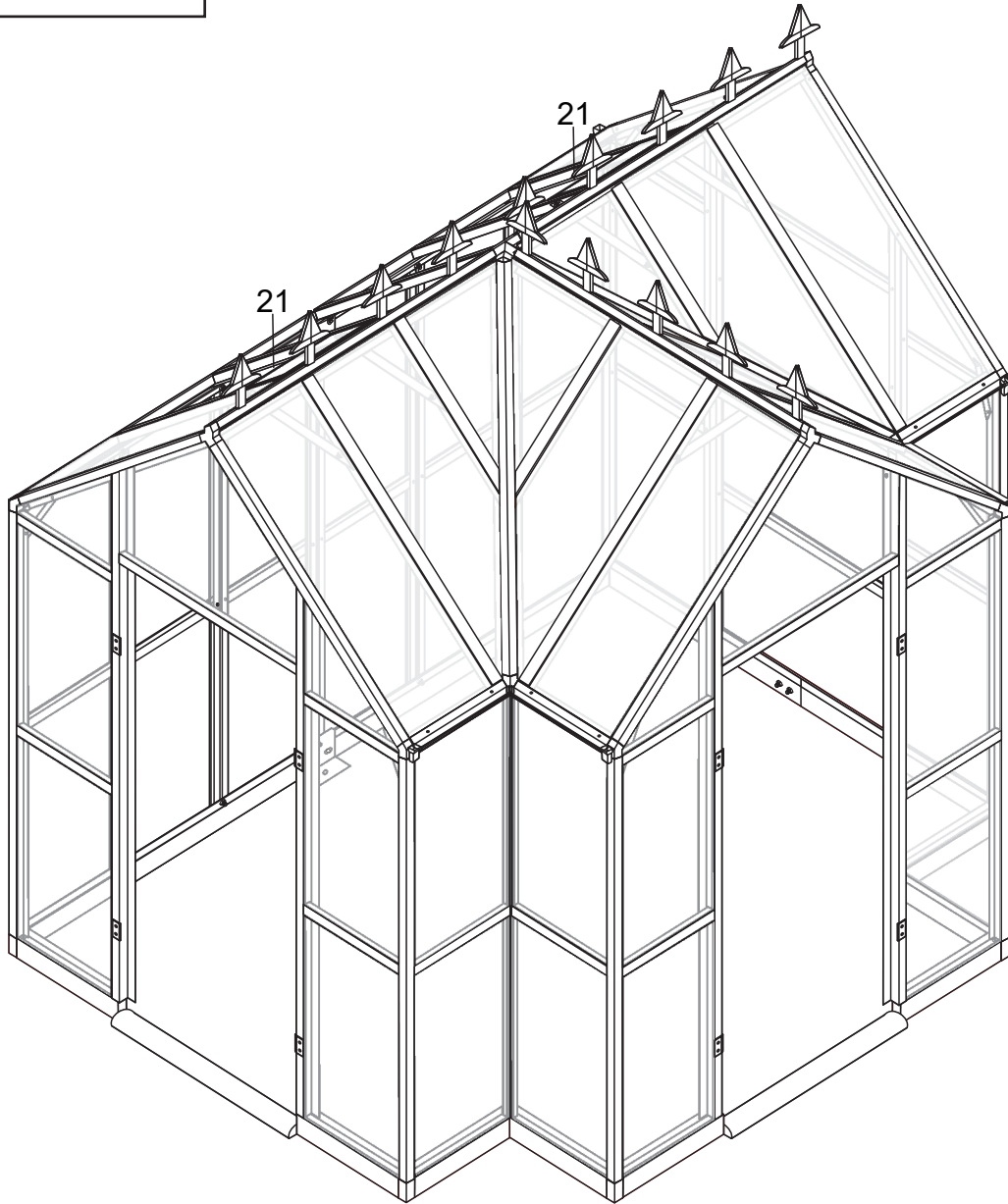
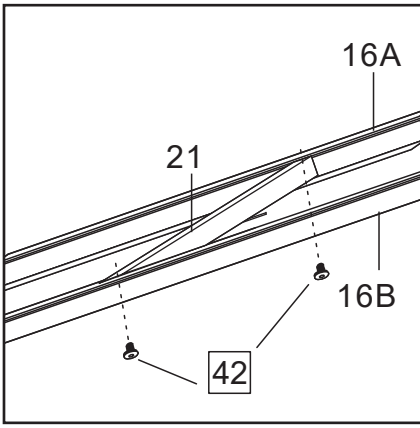
Picture	NO.	Qty.
	16A	1
	16B	1
	42	4
	B3	2

# Step 46



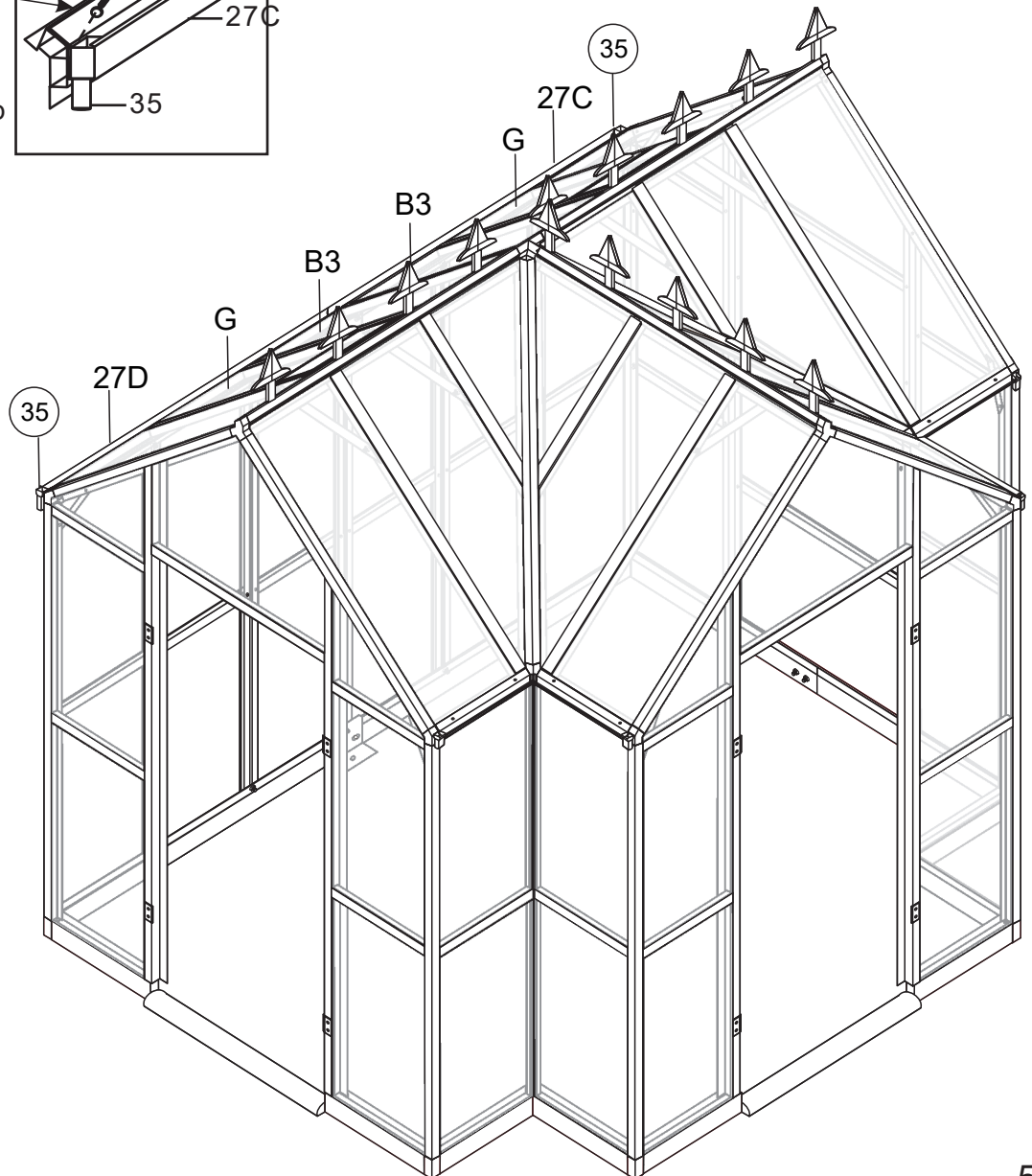
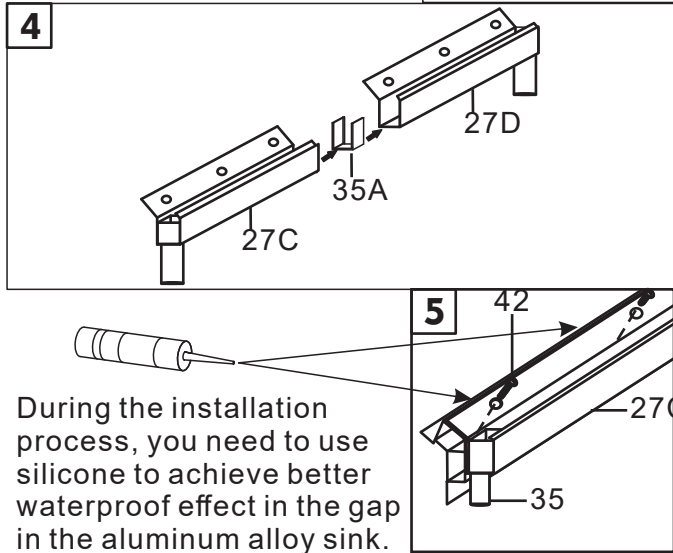
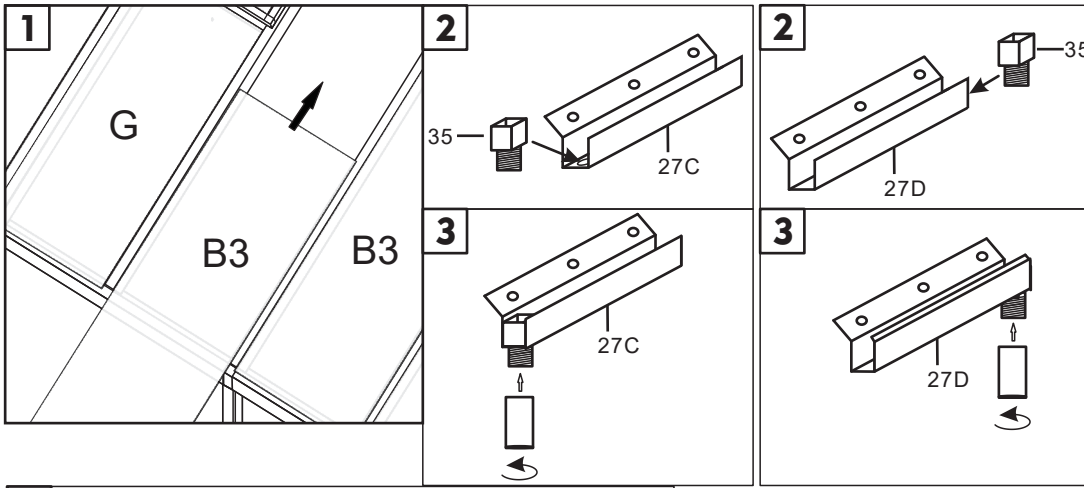
Picture	NO.	Qty.
	16A	1
	16B	1
	42	4
	45A	8
	46A	4

# Step 47



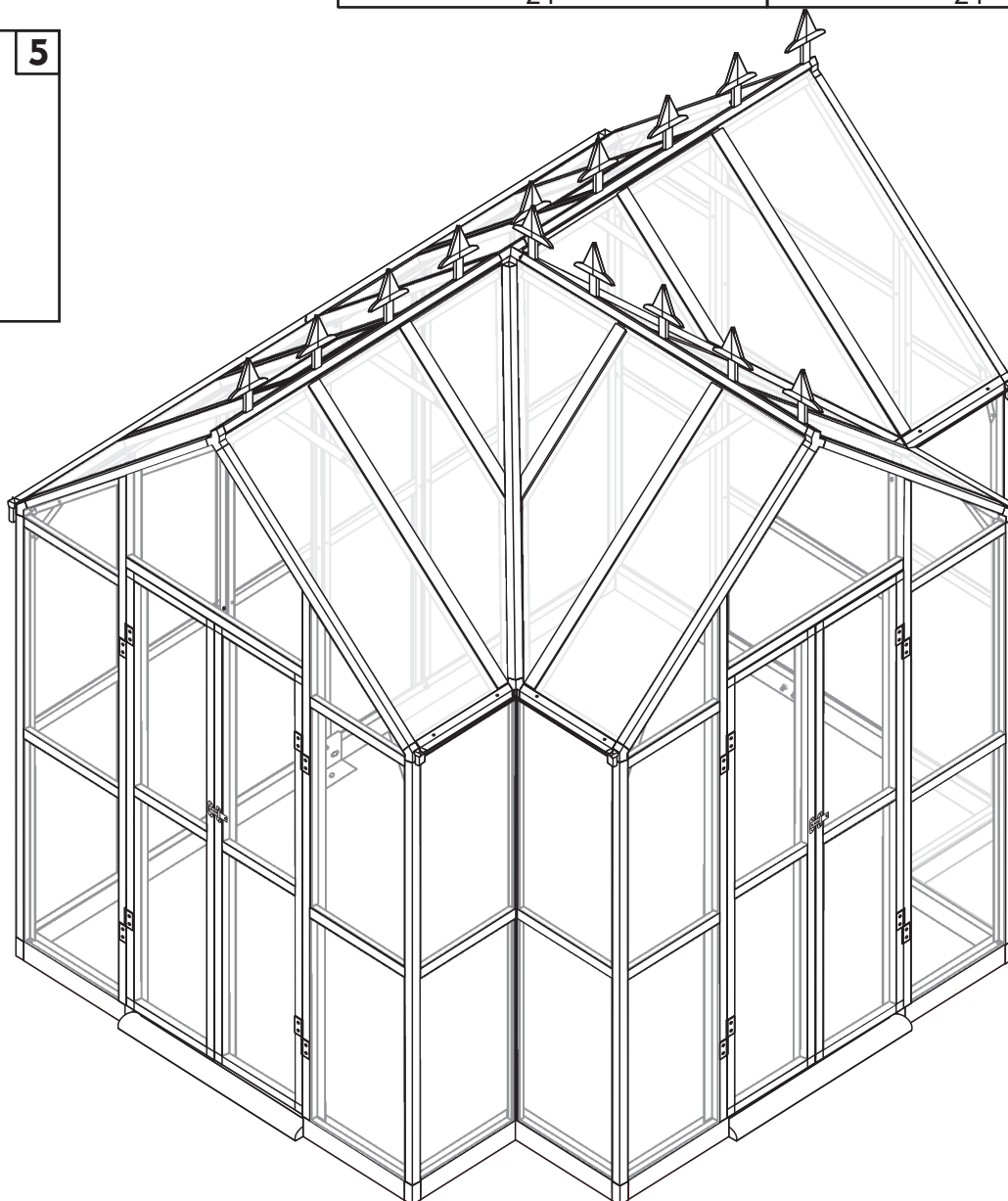
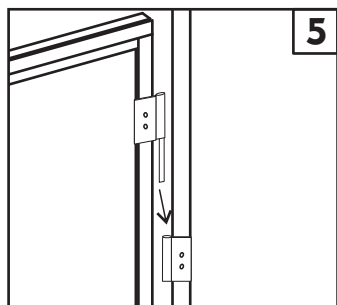
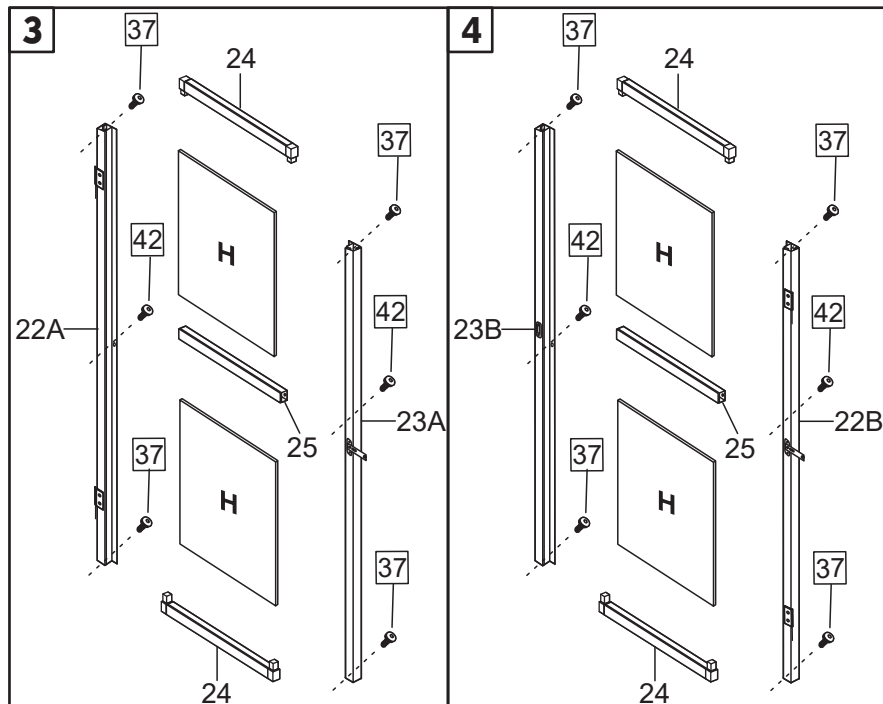
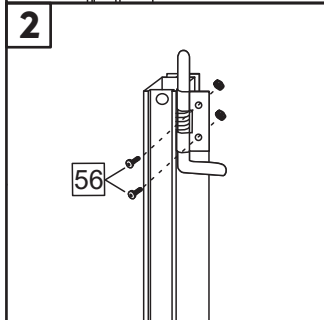
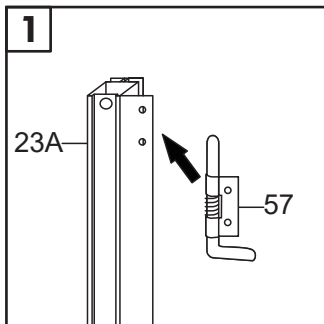
Picture	NO.	Qty.
	21	2
	42	4

# Step 48

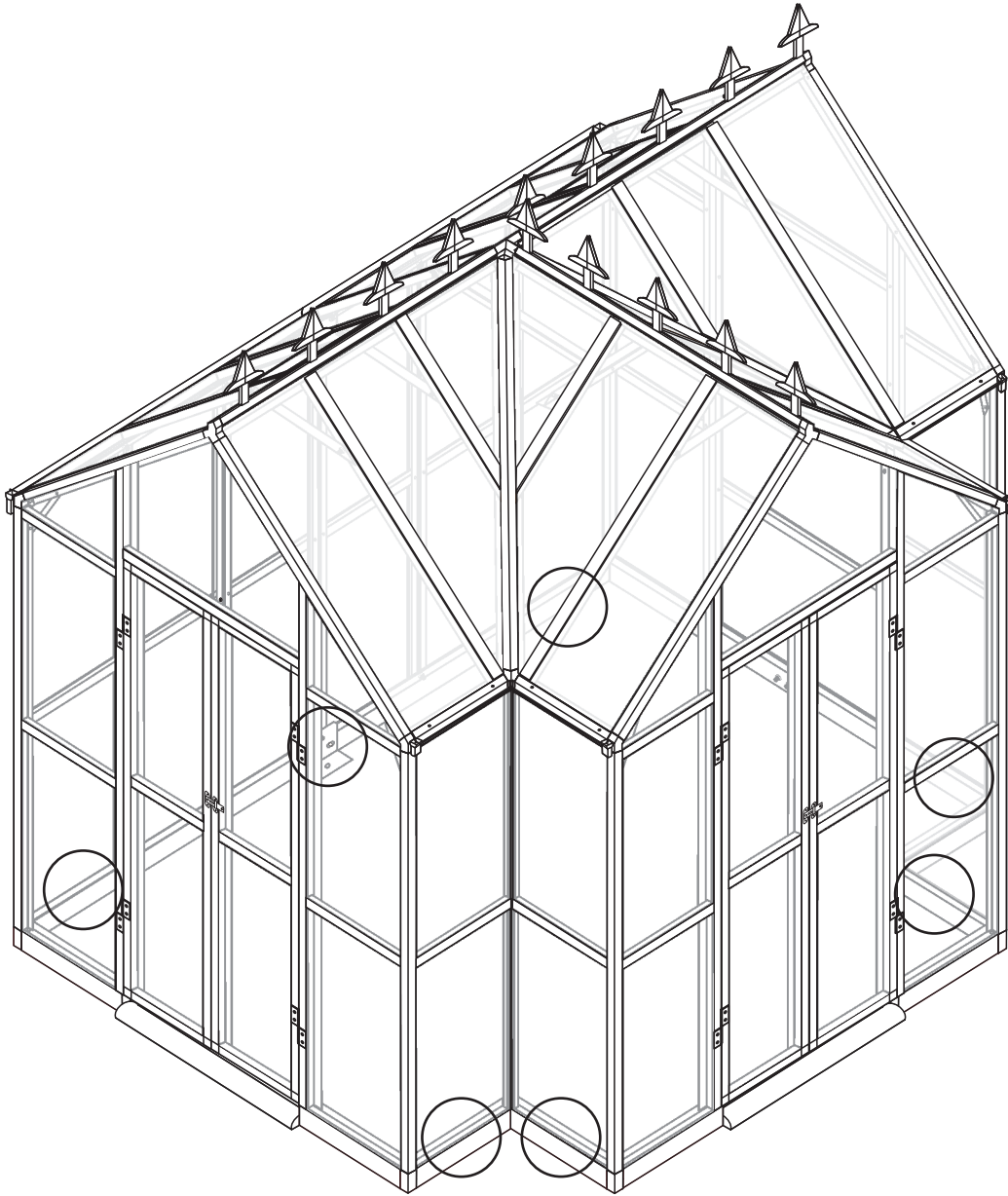


Picture	NO.	Qty.
	27C	1
	27D	1
	35	2
	35A	2
	42	6
	B3	2
	G	2

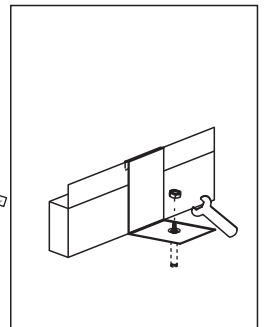
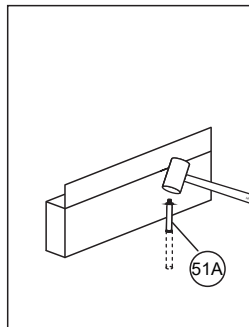
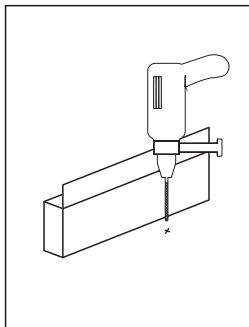
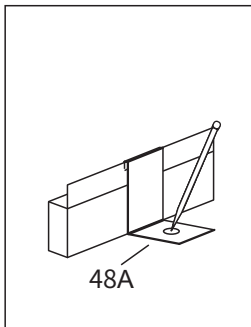
# Step 49



Picture	NO.	Qty.
	22A	2
	22B	2
	23A	2
	23B	2
	24	8
	25	4
	H	8
	37	16
	42	8
	56	4
	57	2



Use 51# ground spikes on lawns.  
Use 51A# Expansion Screws on Hard Surfaces.



Picture	NO.	Qty.
	48A	6
	51A	6