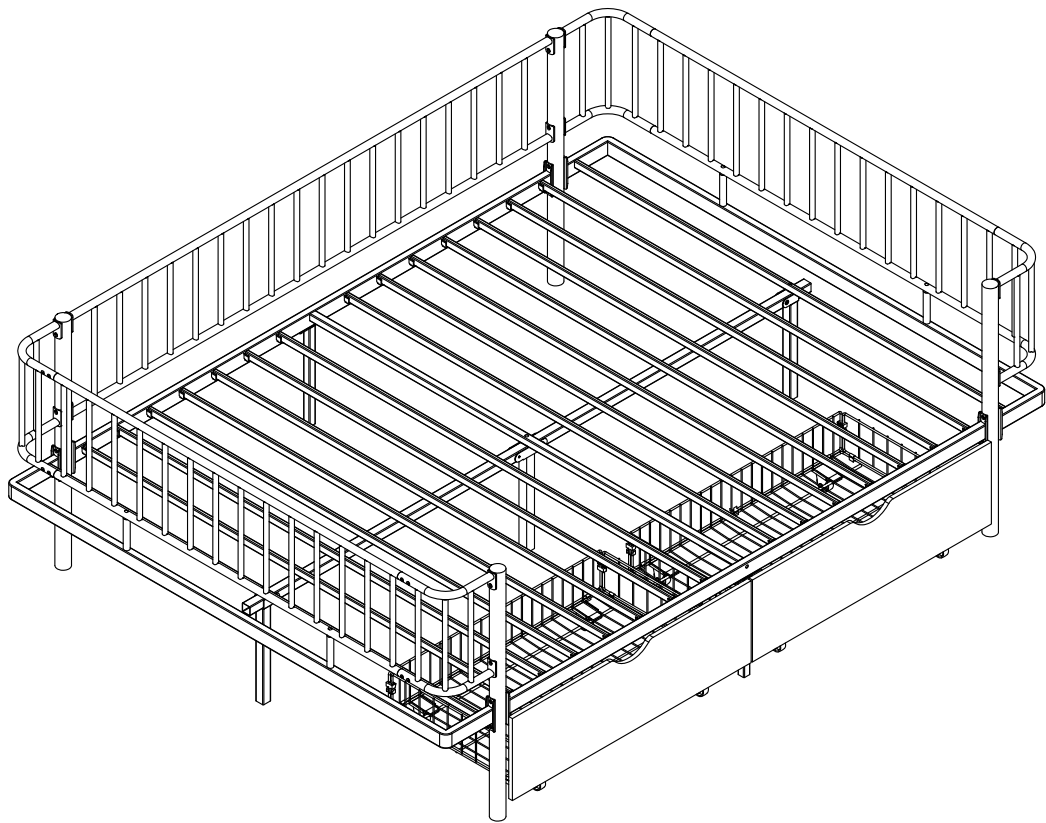
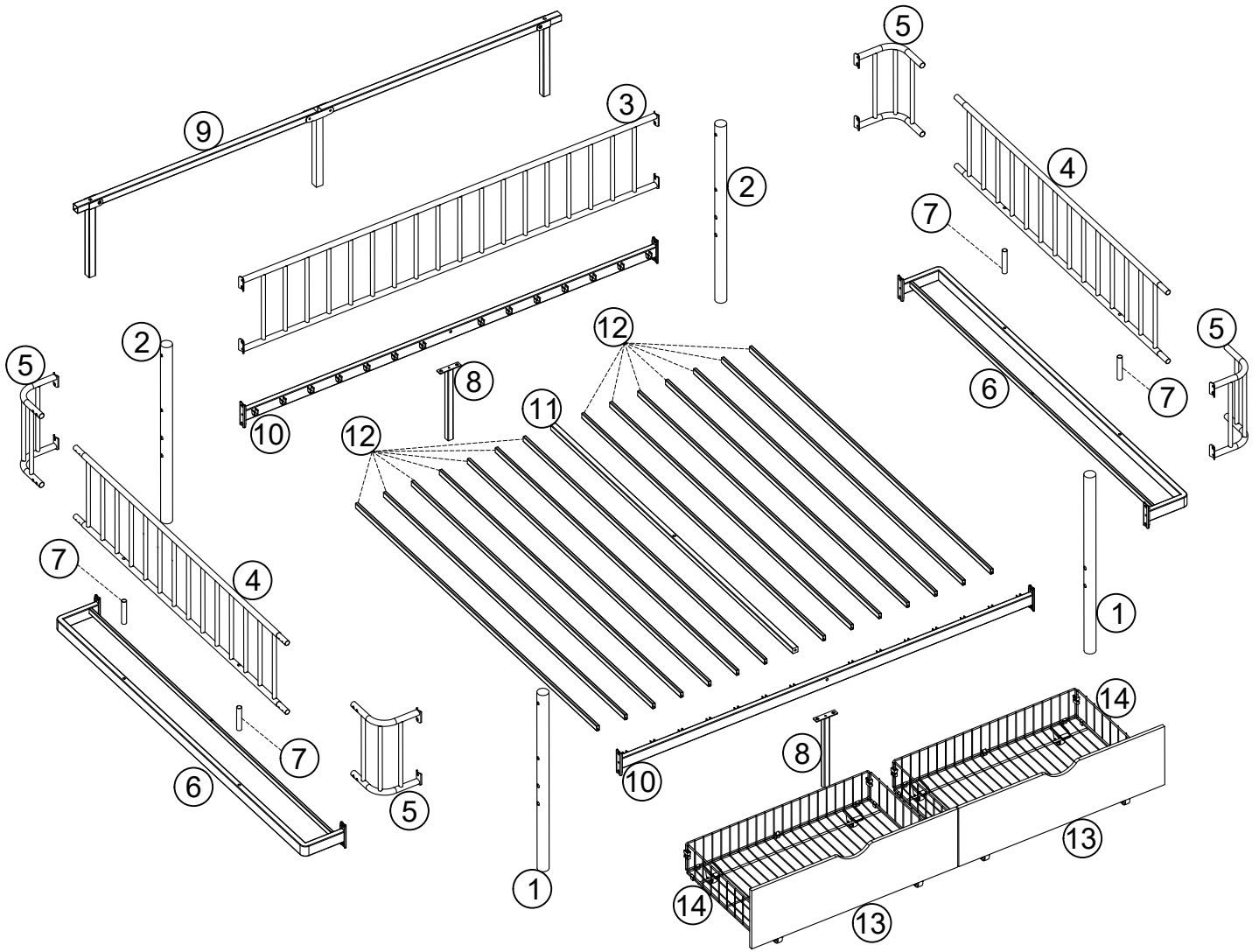


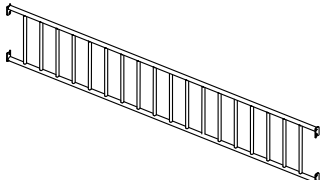
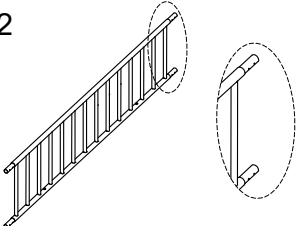
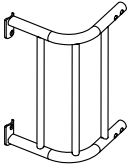
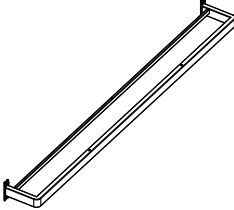

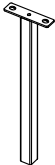
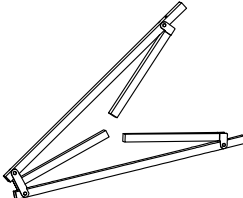
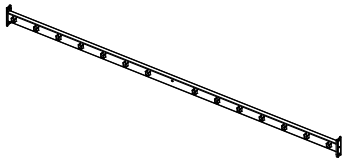
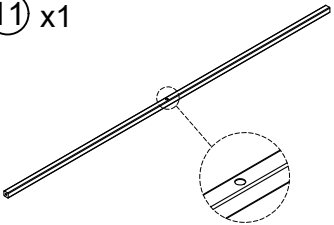
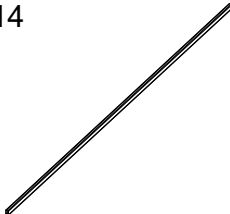
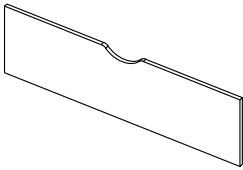
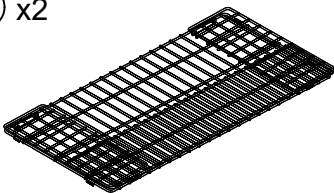


Assembly instruction

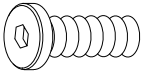
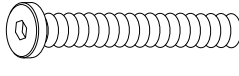
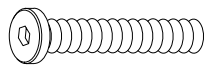
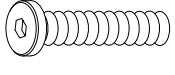
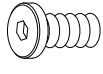
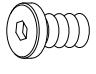

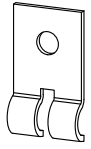
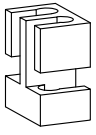



Assembly instruction




<p>① x2</p> 	<p>② x2</p> 	<p>③ x1</p> 
<p>④ x2</p> 	<p>⑤ x4</p> 	<p>⑥ x2</p> 
<p>⑦ x4</p> 	<p>⑧ x2</p> 	<p>⑨ x1</p> 
<p>⑩ x2</p> 	<p>⑪ x1</p> 	<p>⑫ x14</p> 
<p>⑬ x2</p> 	<p>⑭ x2</p> 	

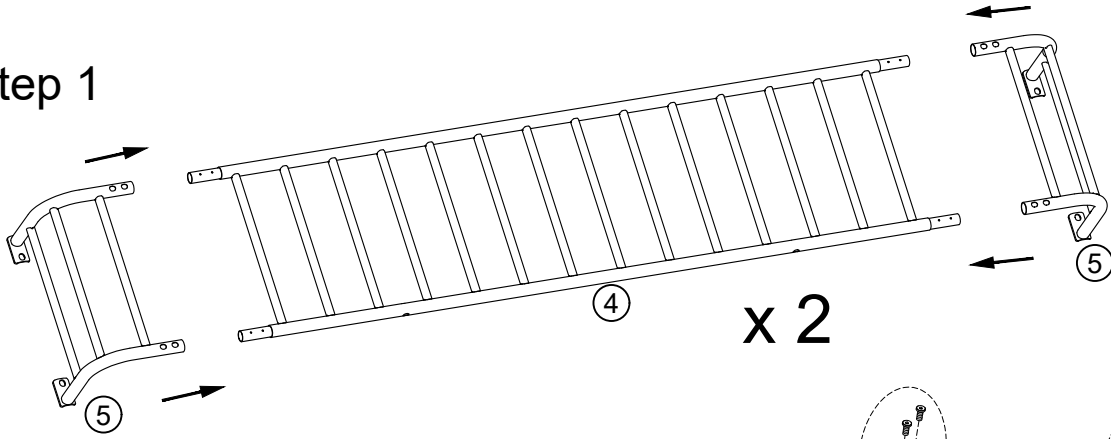
Hardware List

<p>A×16 (1+extra)</p>  <p>M8×20mm</p>	<p>B×7(1+extra)</p>  <p>M6×55mm</p>	<p>C×2</p>  <p>M6×40mm</p>
<p>D×4 (1+extra)</p>  <p>M6×32mm</p>	<p>E×12 (1+extra)</p>  <p>M6×15mm</p>	<p>F×30 (2+extra)</p>  <p>M6×10mm</p>
<p>H×2</p>  <p>M4</p>	<p>Q×2</p> 	<p>R×4</p> 
<p>S×8</p> 		

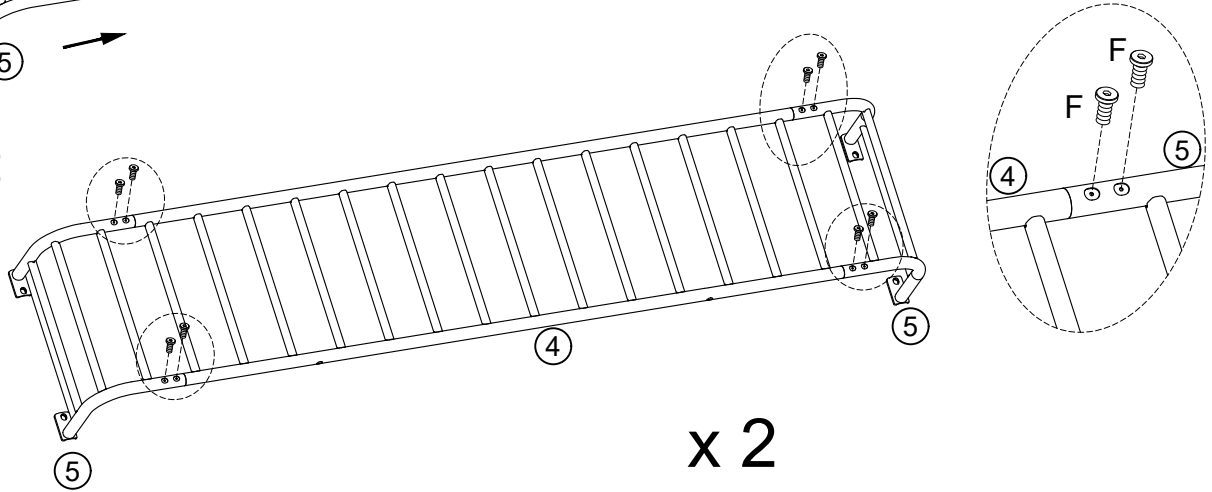
1

F×16pcs

M6×10mm

Step 1




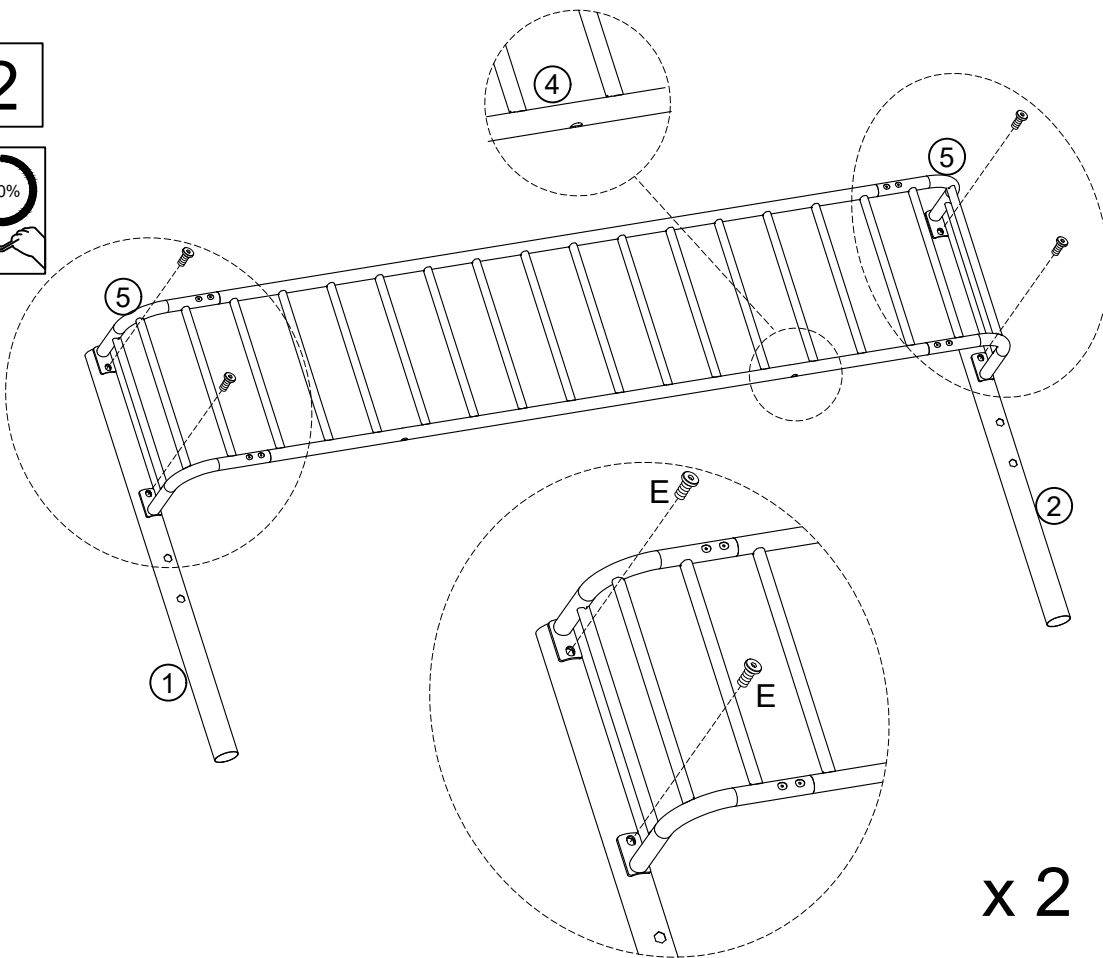
Step 2



2

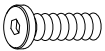


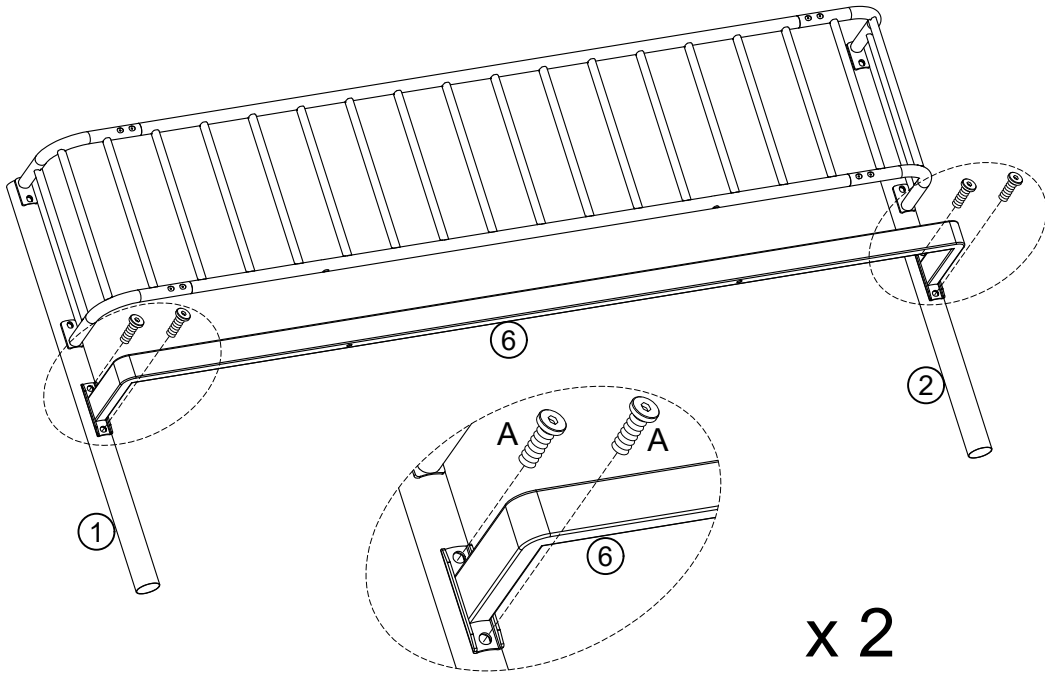
E×8pcs

M6×15mm



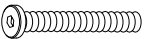
3




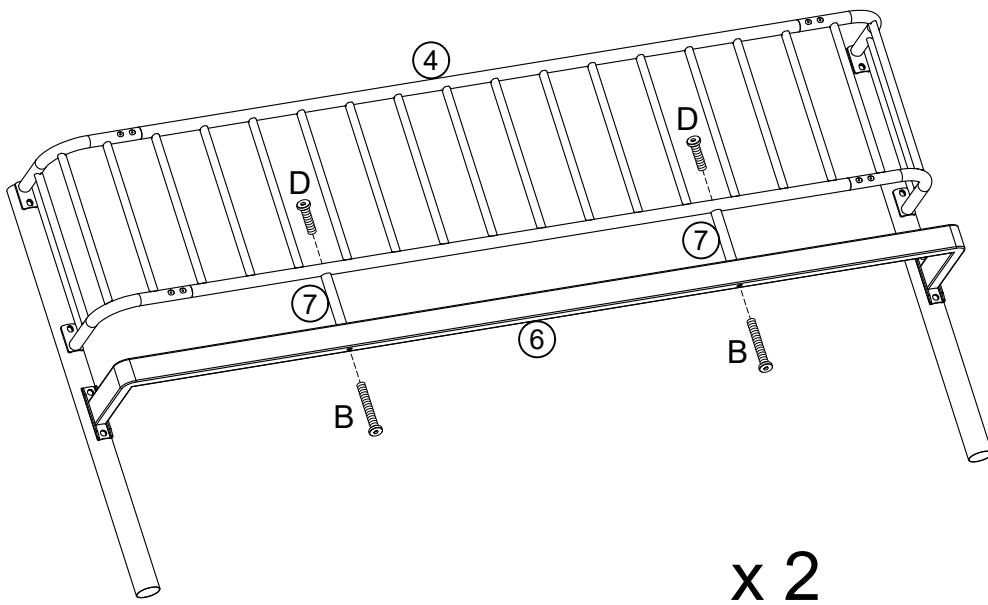
A×8pcs

M8×20mm



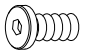
4

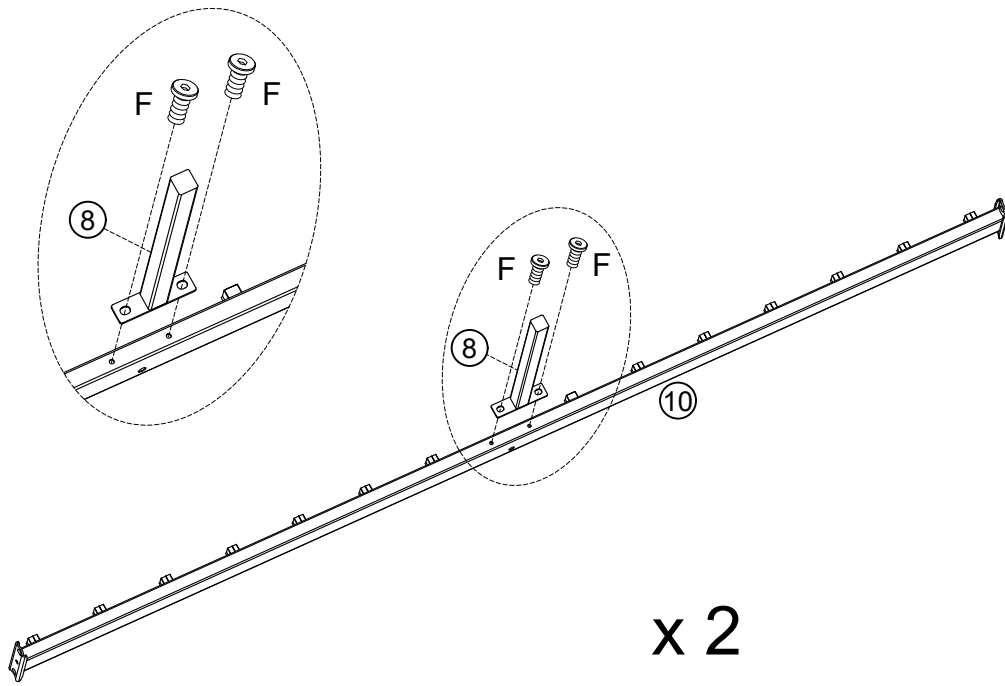
B×4pcs

M6×55mm

D×4pcs

M6×32mm



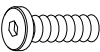
5

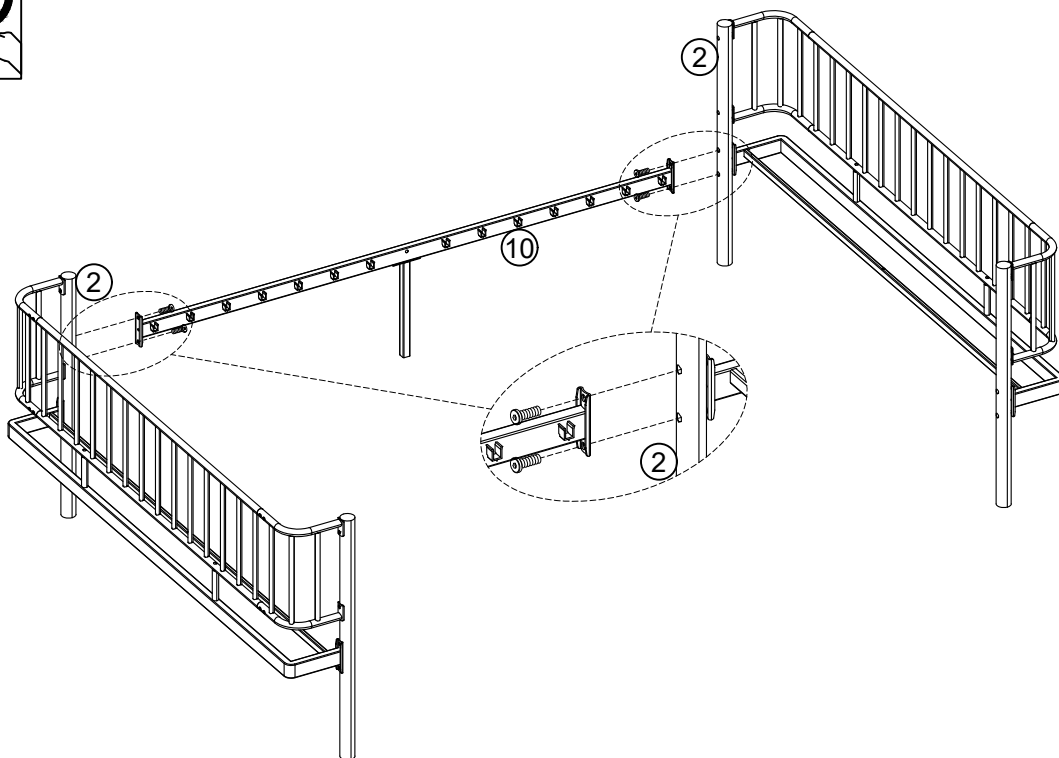
F×4pcs

M6×10mm



6




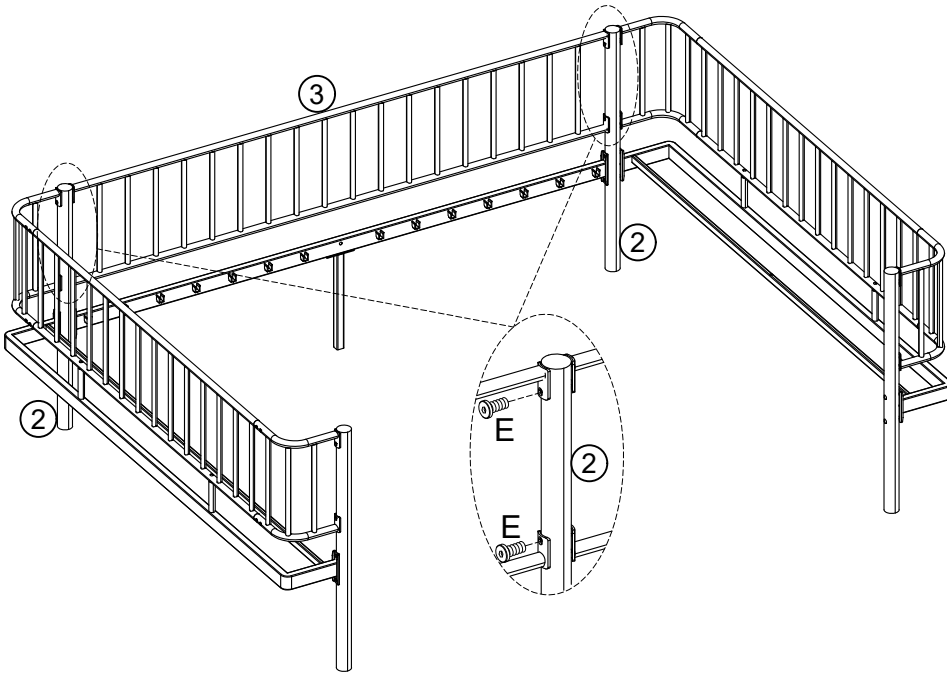
A×4pcs

M8×20mm



7

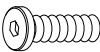


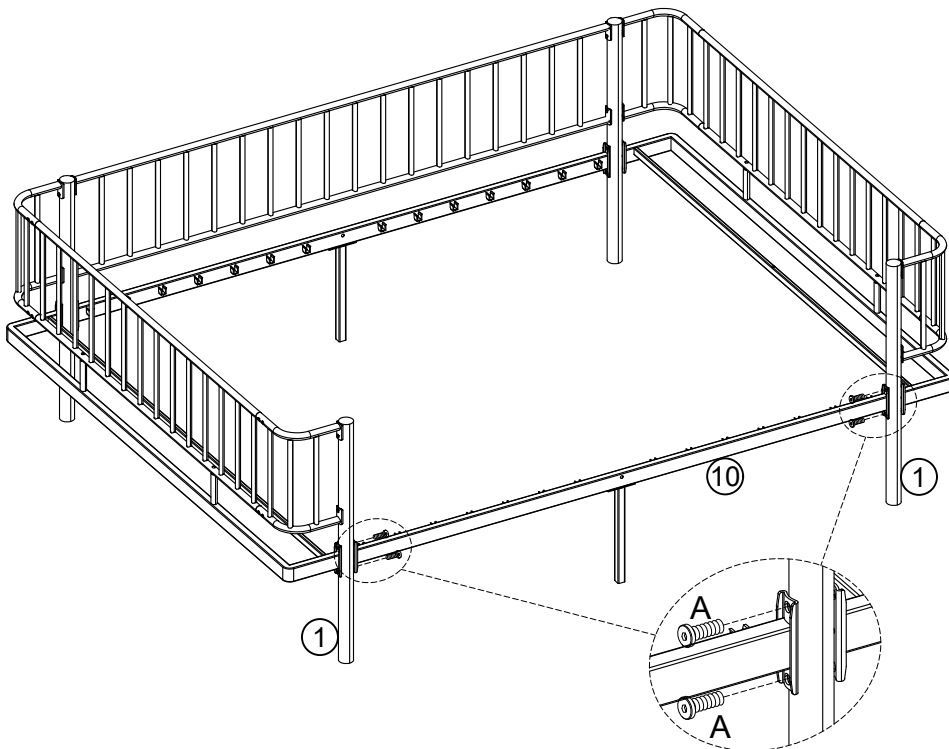
E×4pcs

M6×15mm



8



A×4pcs

M8×20mm

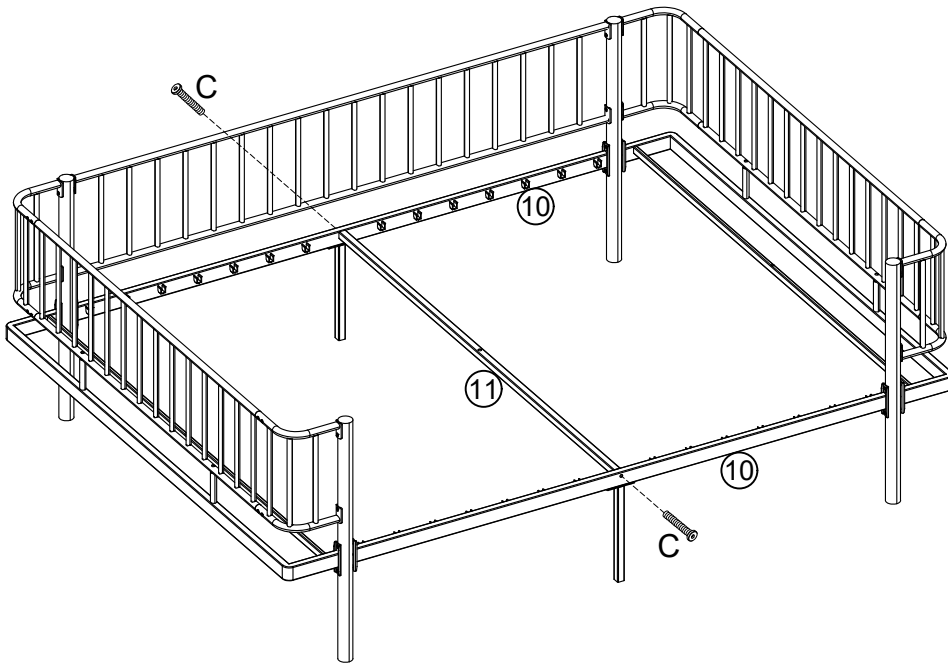


9

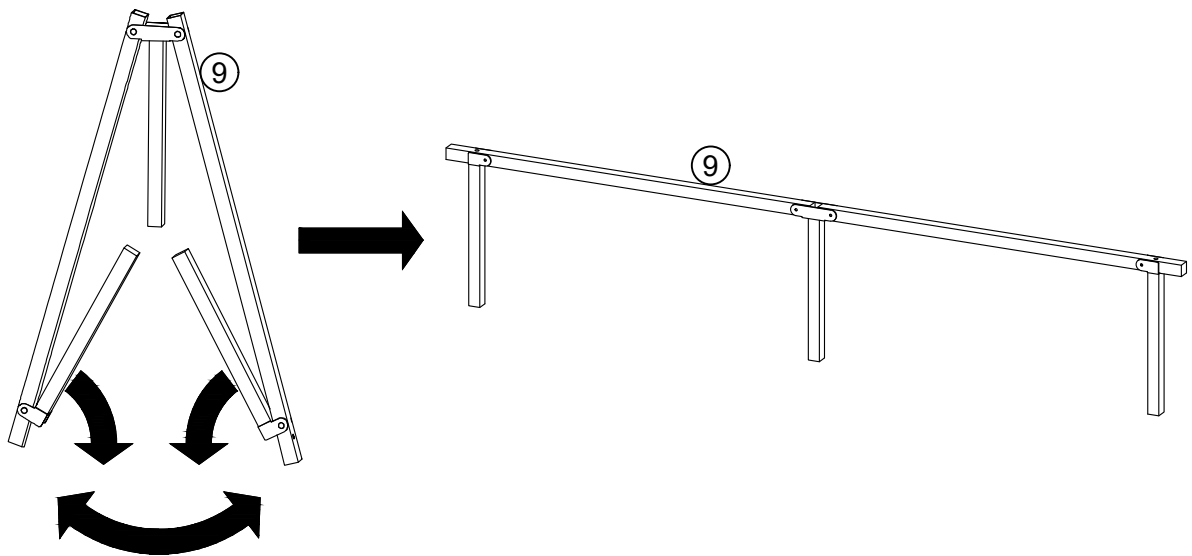
C×2pcs



M6×40mm



10



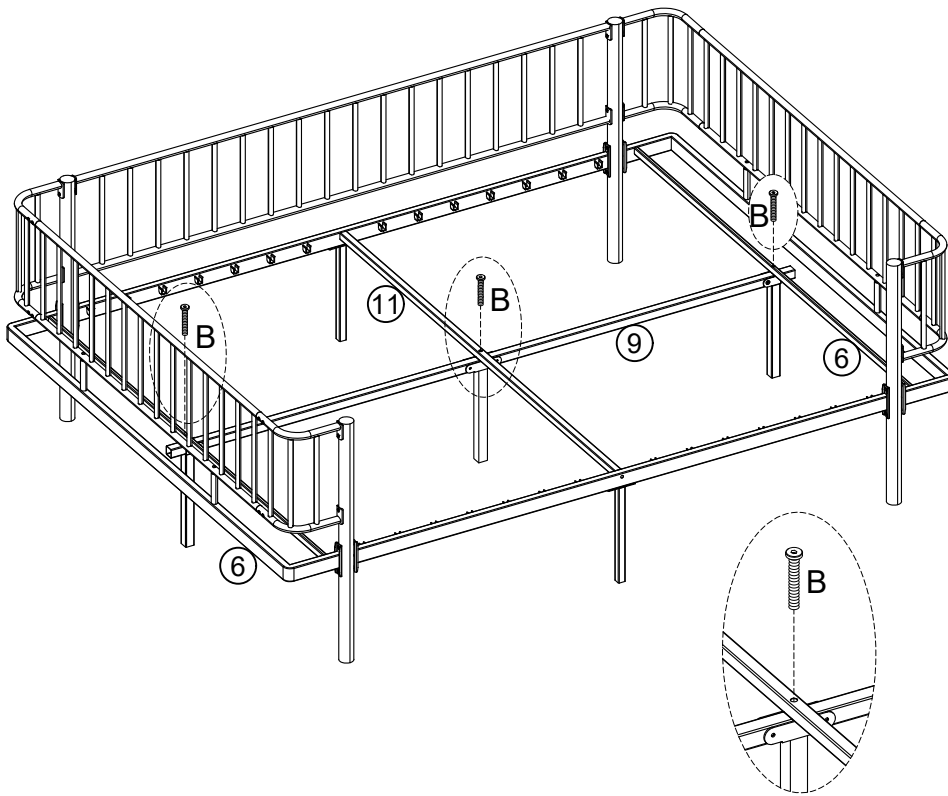
Watch out for pinching your hands

11

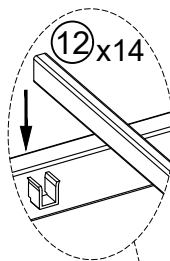
B×3pcs



M6×55mm



12

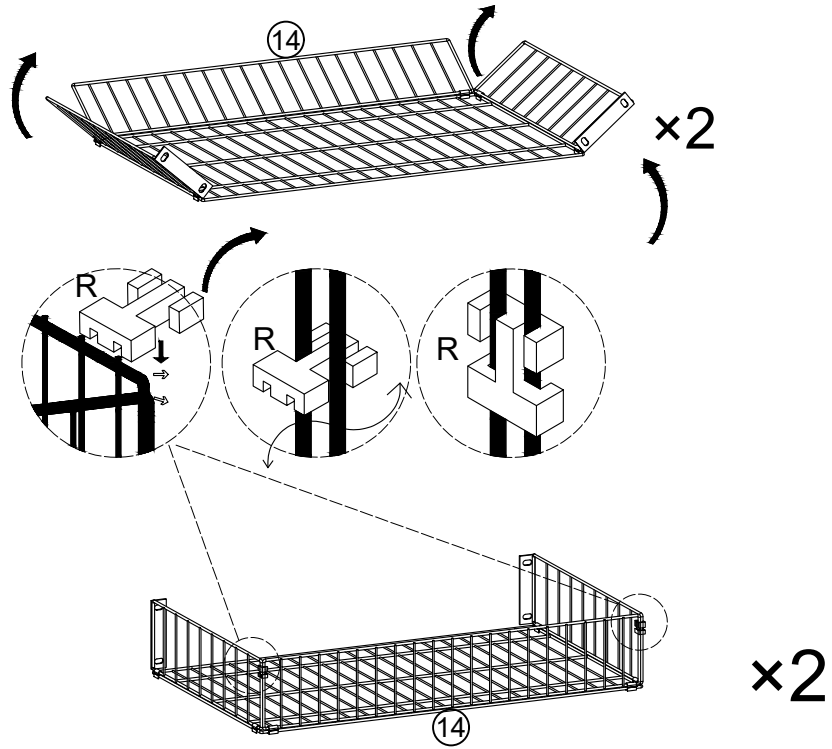


13

R×4pcs



Disconnect it a little and clamp the fastener



14

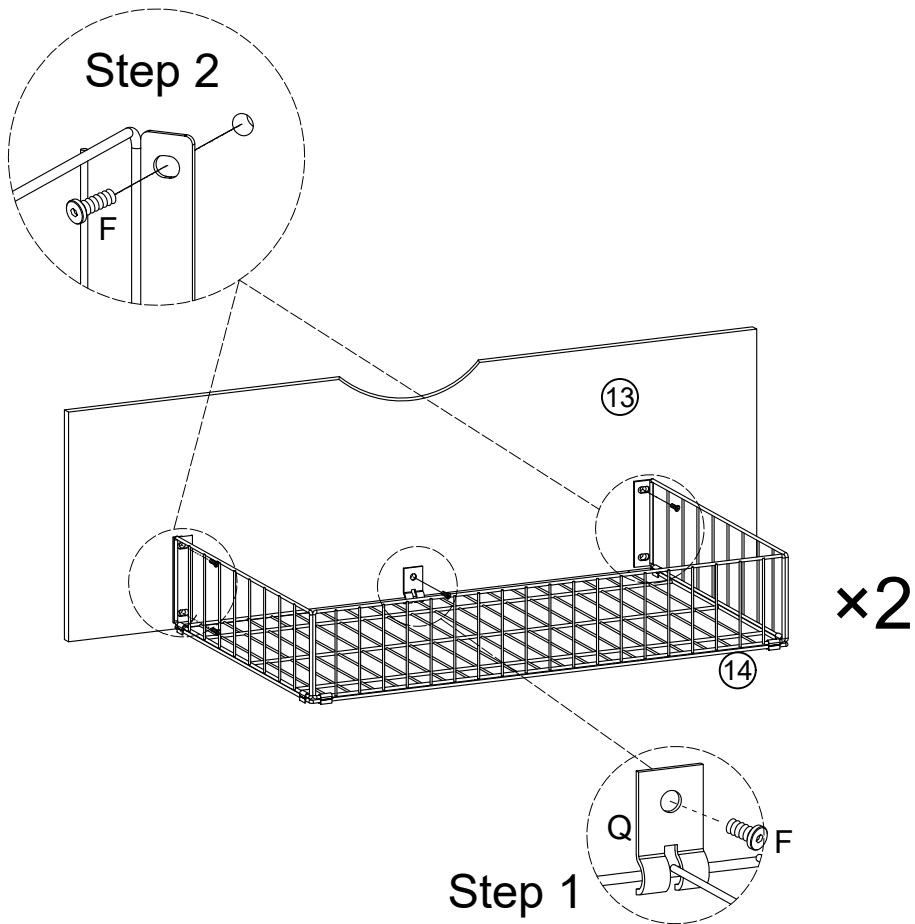
Q×2pcs



F×10pcs



M6×10mm



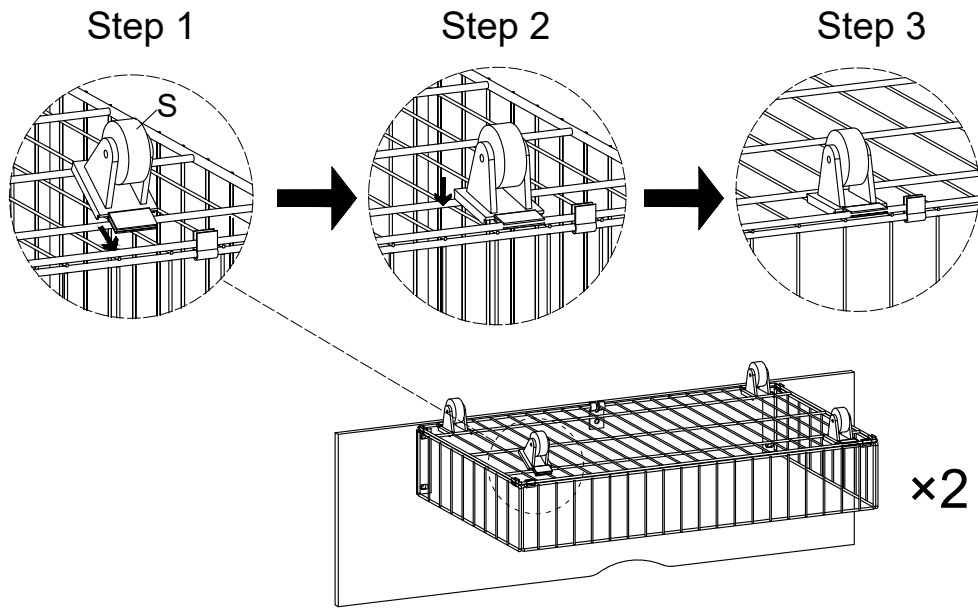
Tighten all screws 100%

15

S×8pcs



Clamp the wire with the opening of the front end of the wheel and press down to tighten the wire.



16

