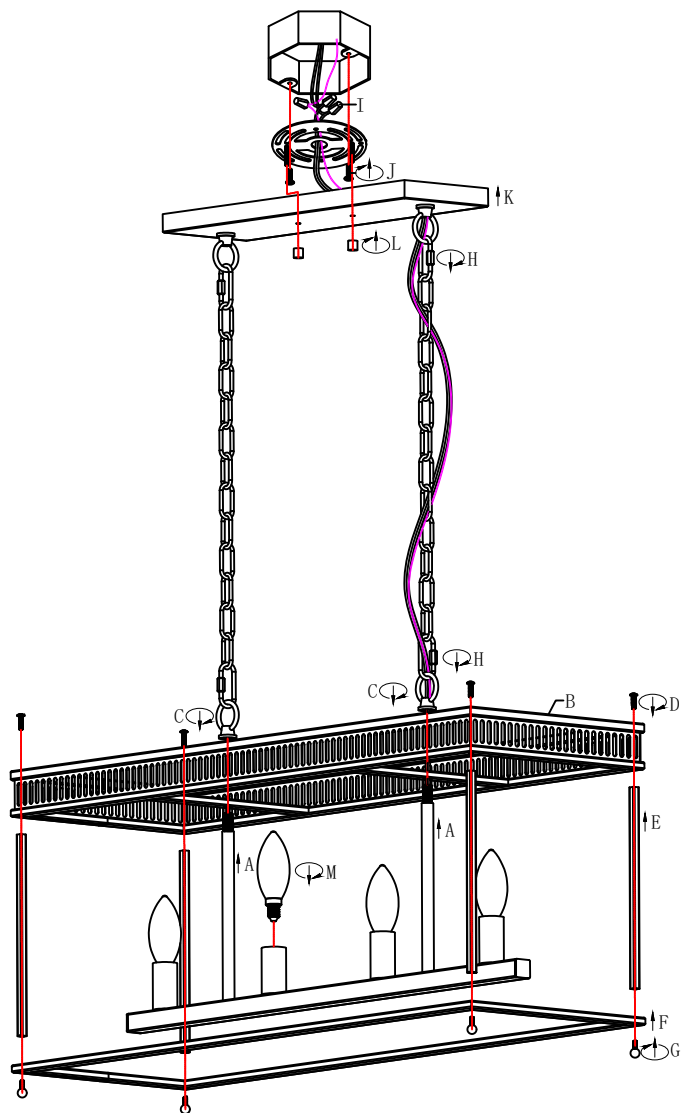


ASSEMBLY AND INSTALLATION INSTRUCTIONS

WARNING: TO AVOID RISK OF ELECTRICAL SHOCK, BE SURE TO SHUT OFF POWER BEFORE INSTALLING OR SERVICING THIS FIXTURE.



Before You Begin:

- Ensure power is turned off at the circuit breaker before installation.
- Read all instructions carefully.
- Installation should be performed by a qualified electrician if you are unfamiliar with wiring.

Step-by-Step Installation:

1. Pass the connecting rods (A) through the square frame (B), and then secure them by tightening the hanging rings (C).
 2. Use bolts (D) to secure the four square tubes (E) to the frame (B). Ensure the square tubes are oriented correctly, with mitered edges aligned.
 3. Use the decorative finials (G) to secure another square frame (F) to the four square tubes (E).
 4. Connect the suspension chain (H) to the upper and lower hanging rings.
 5. Use screws (J) to secure the mounting plate to the junction box.
 6. Wiring Connections
 - Use wire connectors (I) to connect the black (hot) wire to the black wire, the white (neutral) wire to the white wire, and the ground wire to the grounding terminal.
 - Ensure no exposed conductors remain outside wire connectors or outside the junction box.
 7. Use the decorative nuts (L) to secure the canopy (K) to the mounting plate.
 8. Install the light bulbs (M) into the sockets. (Bulbs Not Included)
- Installation Complete.

Safety Instructions:

To avoid fire, shock, and serious personal injury, follow all instructions carefully.

1. Do not install or use the light fixture if any part is missing or damaged.
2. To avoid possible electrical shock, be sure electricity is turned off at the main fuse or circuit breaker box before wiring.
3. Make certain no bare wires are exposed outside the wire connectors.
4. All wiring must conform to national and local electrical codes.
5. Follow the recommended instructions for the proper method of wiring your new light fixture. If you feel you do not have enough electrical wiring knowledge or experience, have your light fixture installed by a licensed electrician. Any electrical work not described in this manual should be performed by a licensed electrician.