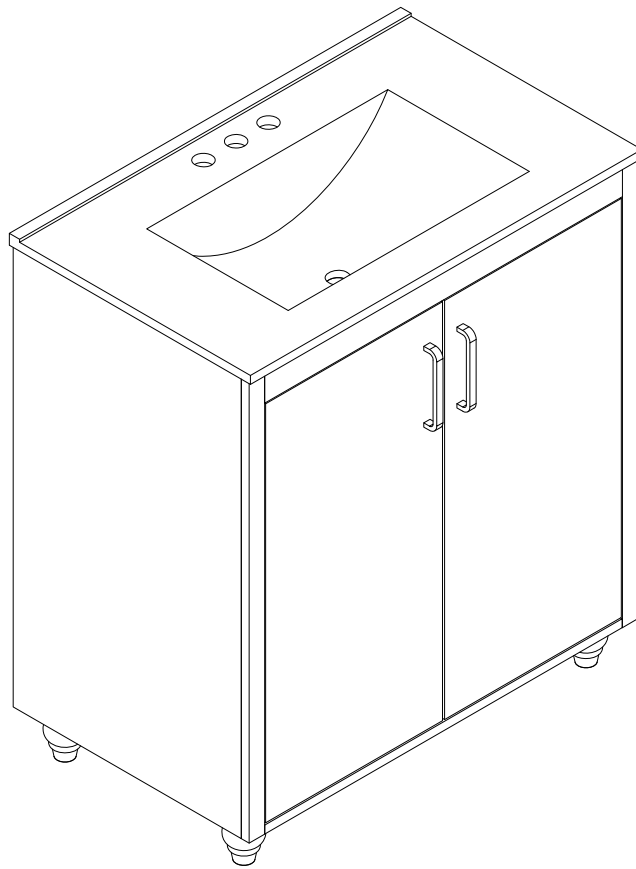
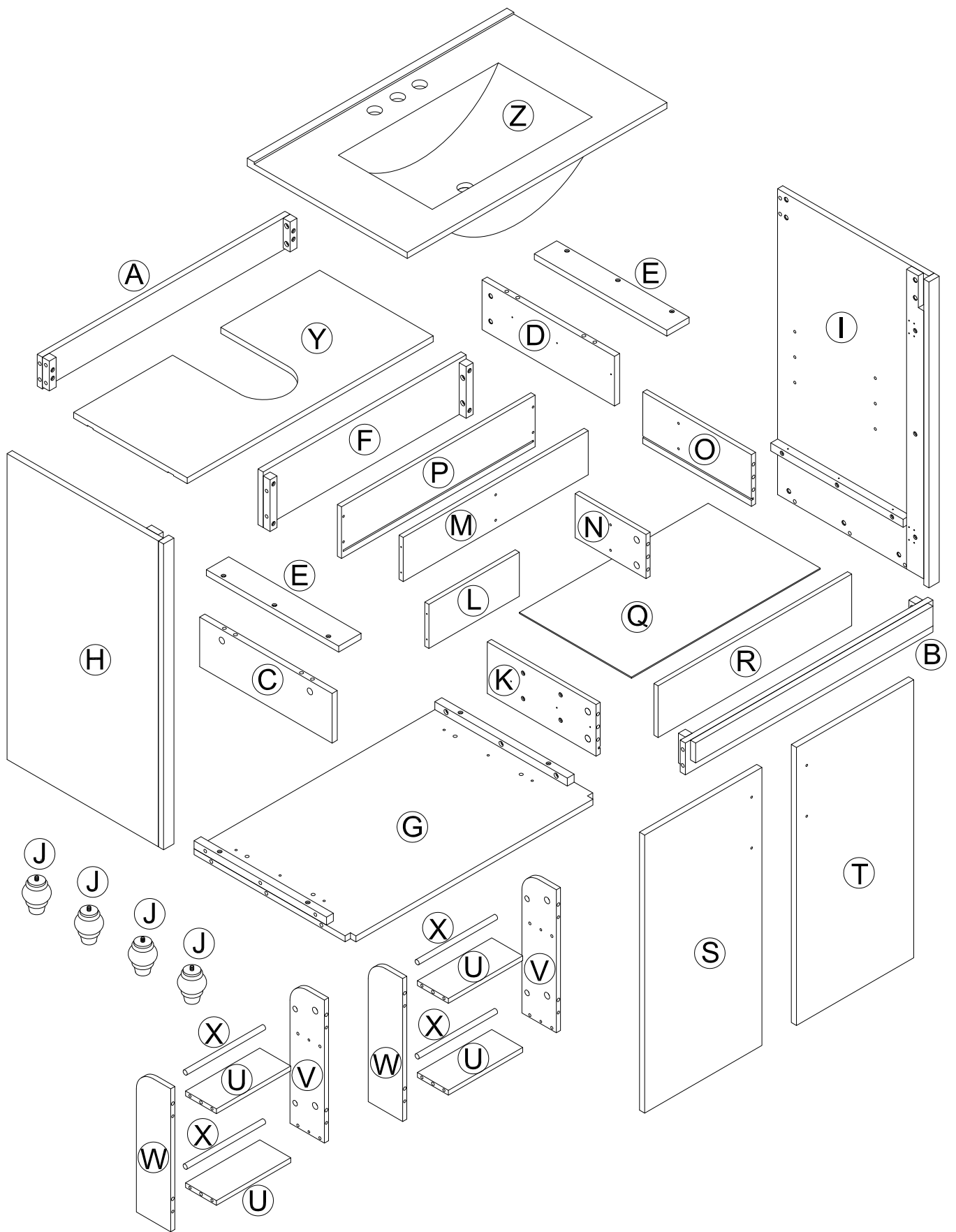
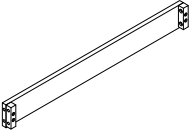
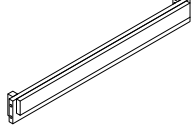
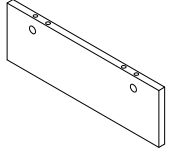
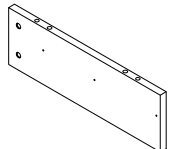
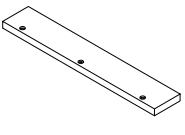
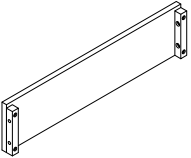
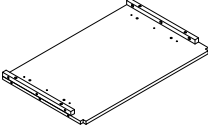
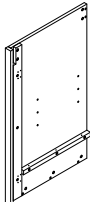
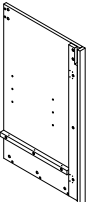
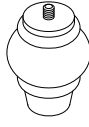
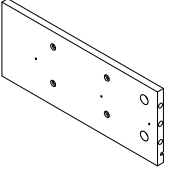
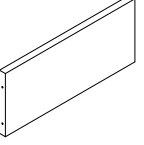
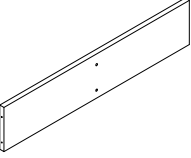
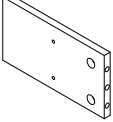
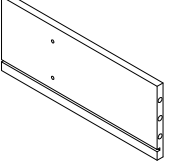
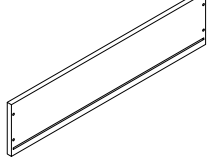
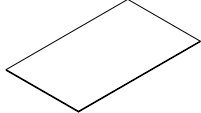
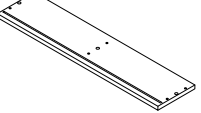

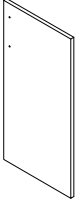
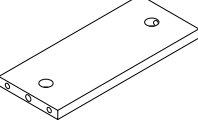
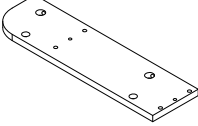
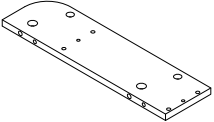
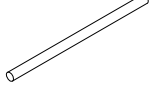
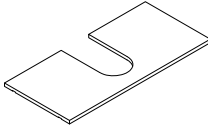
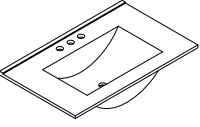


# User's Manual

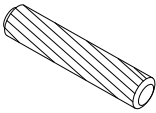
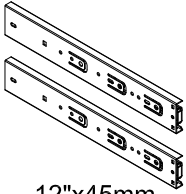

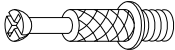
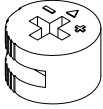
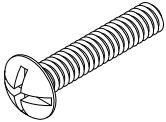
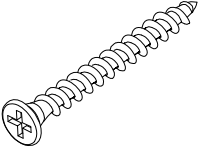
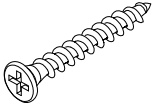
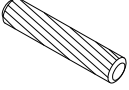
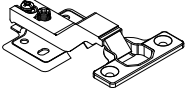

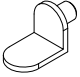

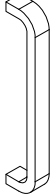




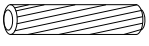
PRODUCT PARTS:

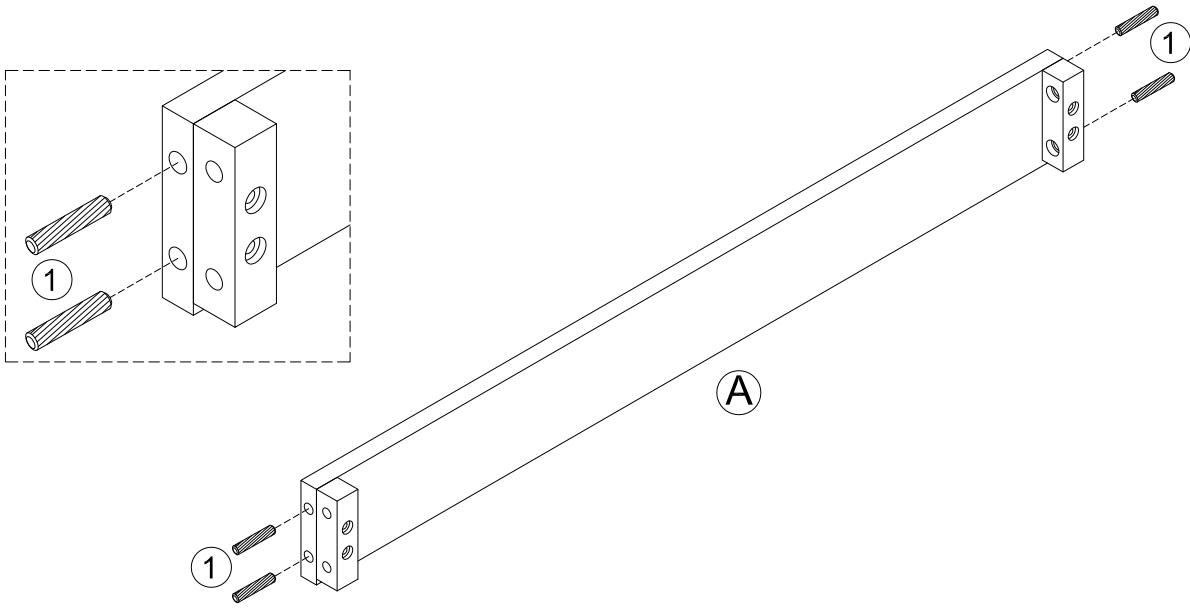
A	B	C	D	E	F
					
1PC	1PC	1PC	1PC	2PCS	1PC
G	H	I	J	K	L
					
1PC	1PC	1PC	4PCS	1PC	1PC
M	N	O	P	Q	R
					
1PC	1PC	1PC	1PC	1PC	1PC
S	T	U	V	W	X
					
1PC	1PC	4PCS	2PCS	2PCS	4PCS
Y	Z				
					
1PC	1PC				

# HARDWARE:


①	②	③	④	⑤	⑥
					
Ø8x30mm	12"x45mm	Ø3x10mm	Ø6x33mm	Ø15x9mm	1/4"x25mm
<b>22+2 PCS</b>	<b>1SET</b>	<b>12+2 PCS</b>	<b>26+2 PCS</b>	<b>26+2 PCS</b>	<b>18+2 PCS</b>
⑦	⑧	⑨	⑩	⑪	⑫
					
Ø4x35mm	Ø4x25mm	Ø6x30mm		Ø4x12mm	
<b>6PCS</b>	<b>20+2PCS</b>	<b>27+2PCS</b>	<b>4PCS</b>	<b>24+2PCS</b>	<b>4PCS</b>
⑬	⑭				
					
5/32"x18mm					
<b>4PCS</b>	<b>2PCS</b>				

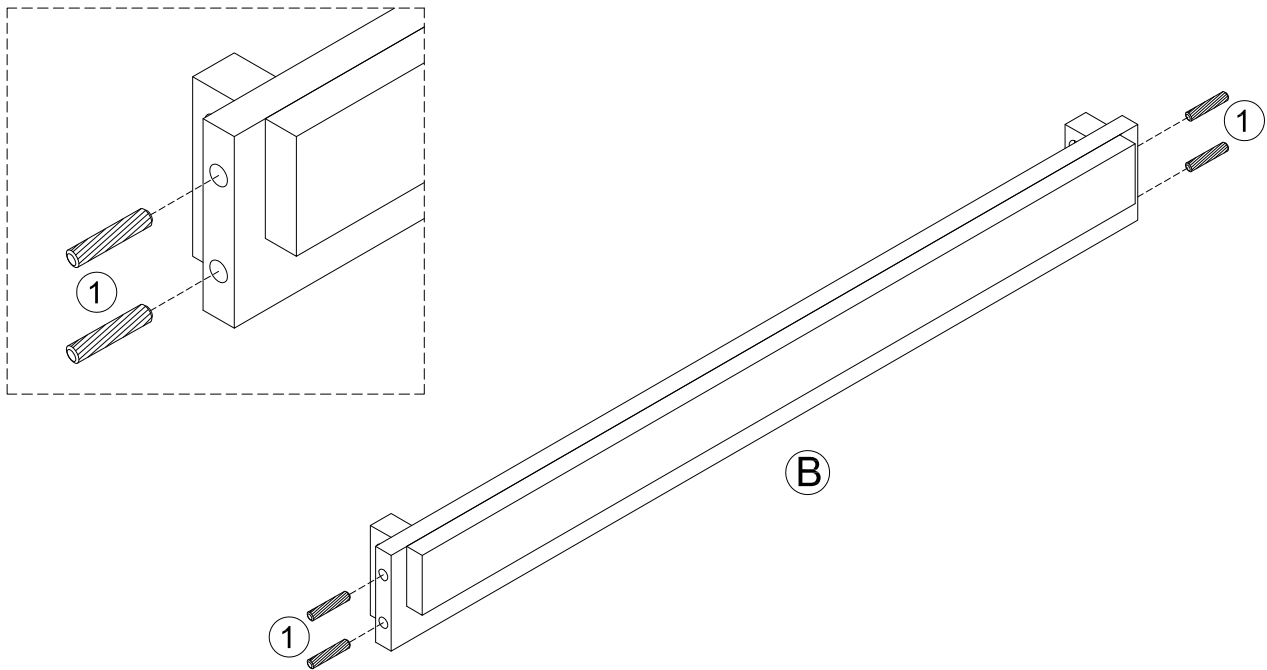
STEP 1

①  4pcs  
Ø8x30mm

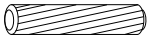


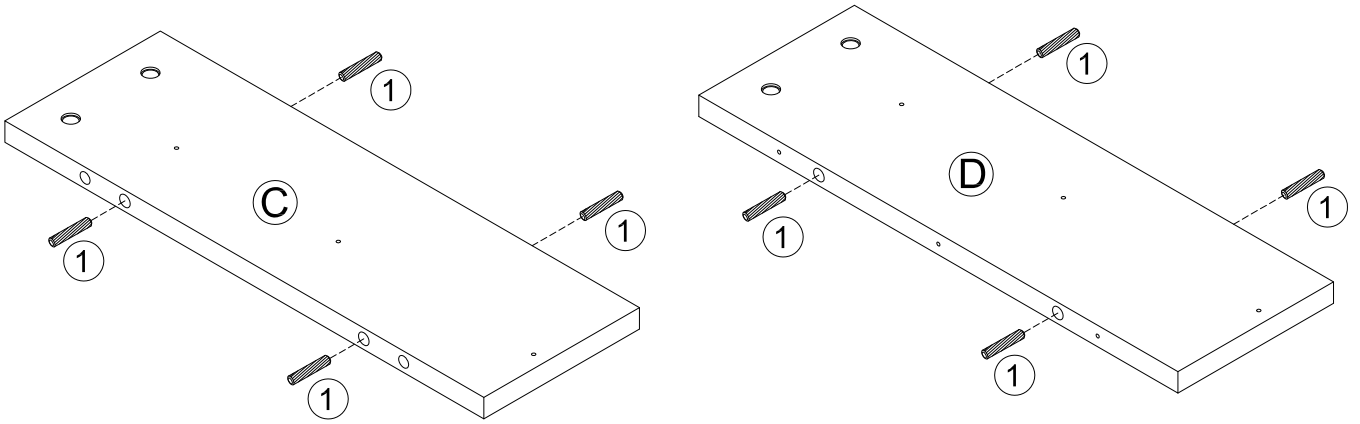
STEP 2

①  4pcs  
Ø8x30mm

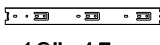


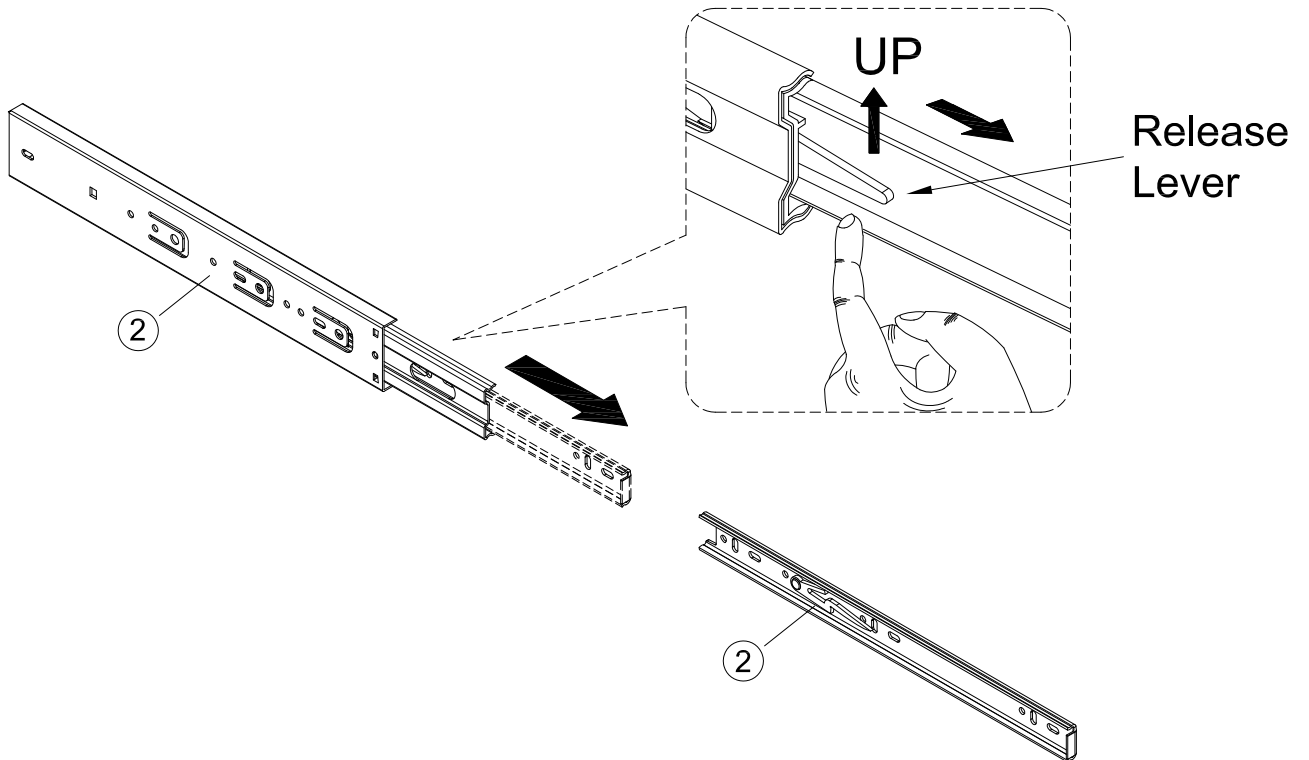
STEP 3

- ①  8pcs  
Ø8x30mm





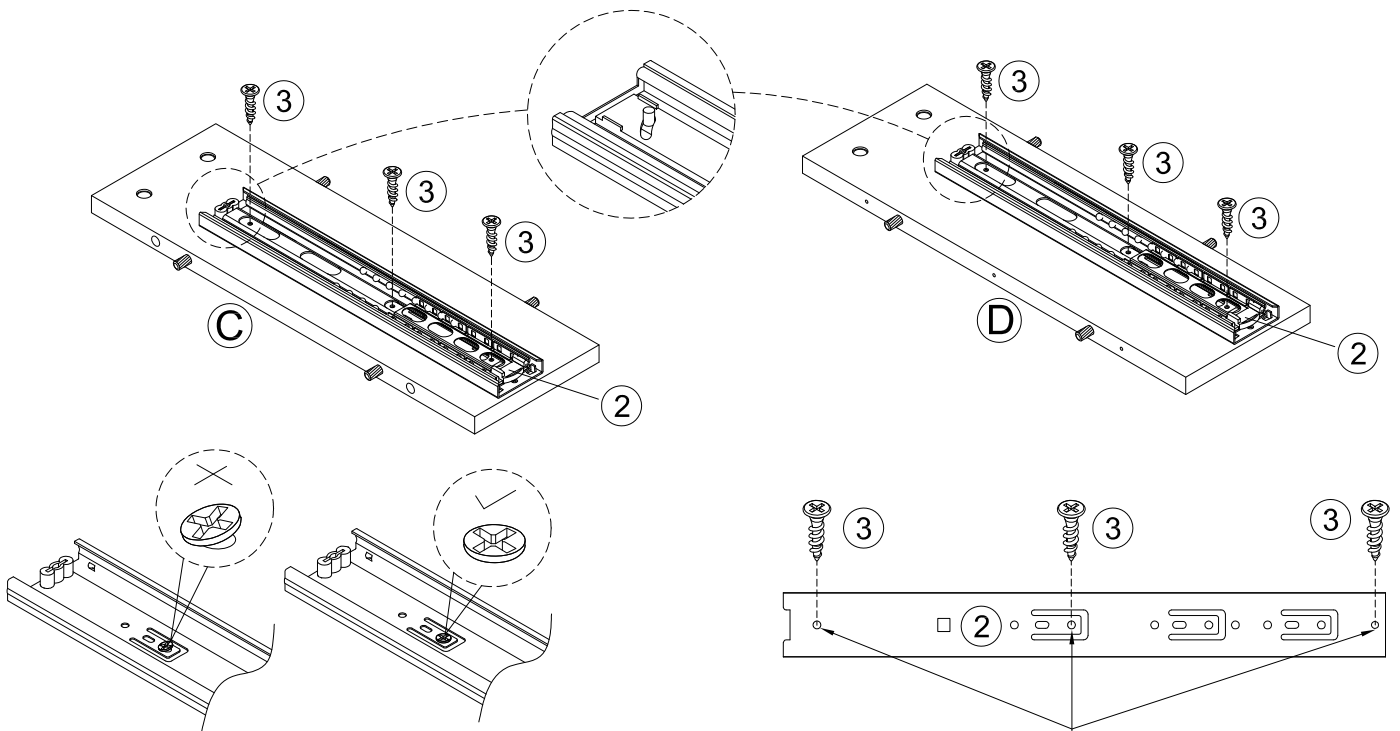
STEP 4

- ②  1SET  
12"x45mm



### STEP 5

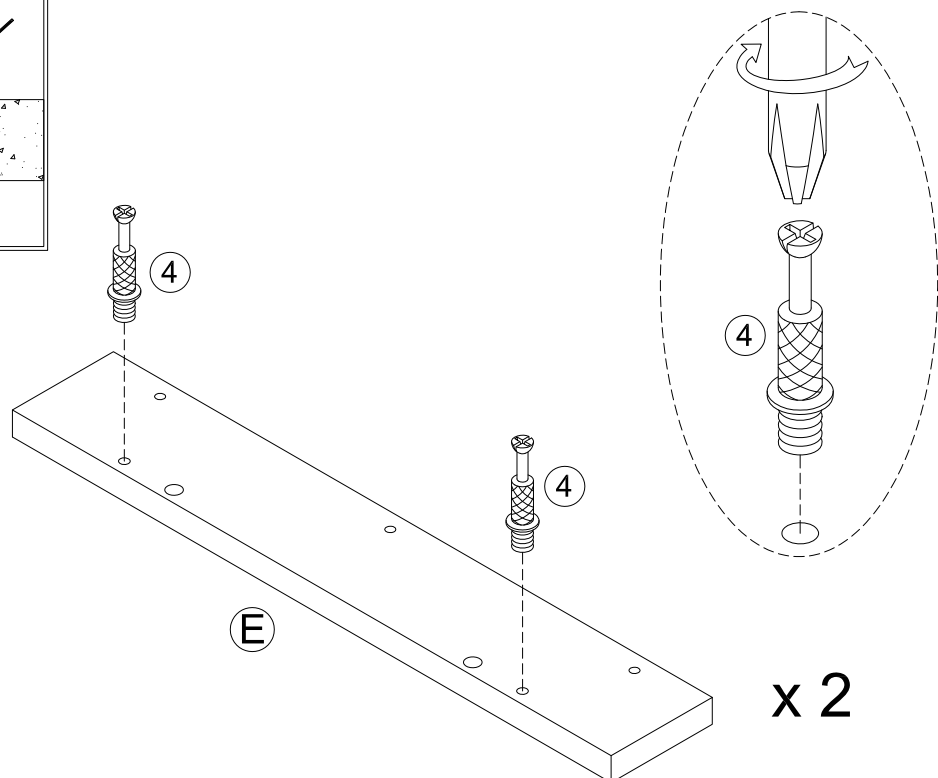
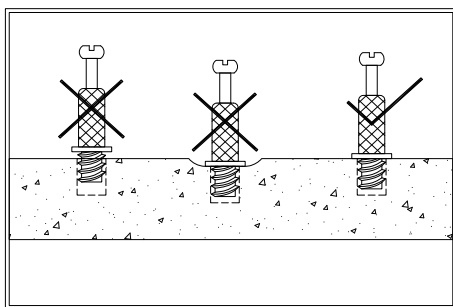
- ③  6pcs  $\varnothing 3 \times 10 \text{mm}$
- ②  1SET 12"x45mm



Please make sure that the screw is VERTICAL so as not to affect the sliding of the drawer.

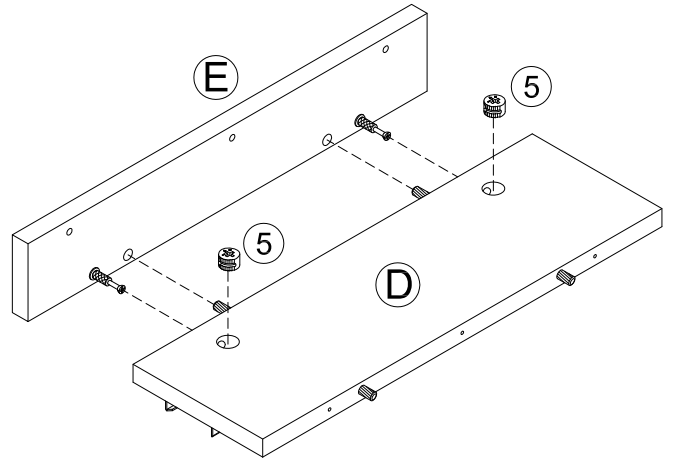
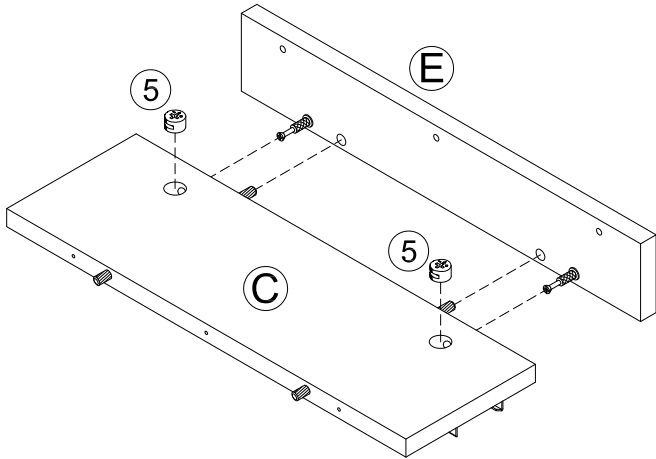
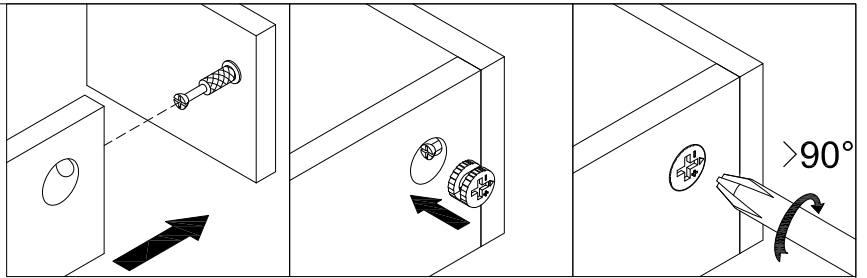
### STEP 6

- ④  4pcs  $\varnothing 6 \times 33 \text{mm}$

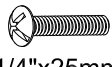


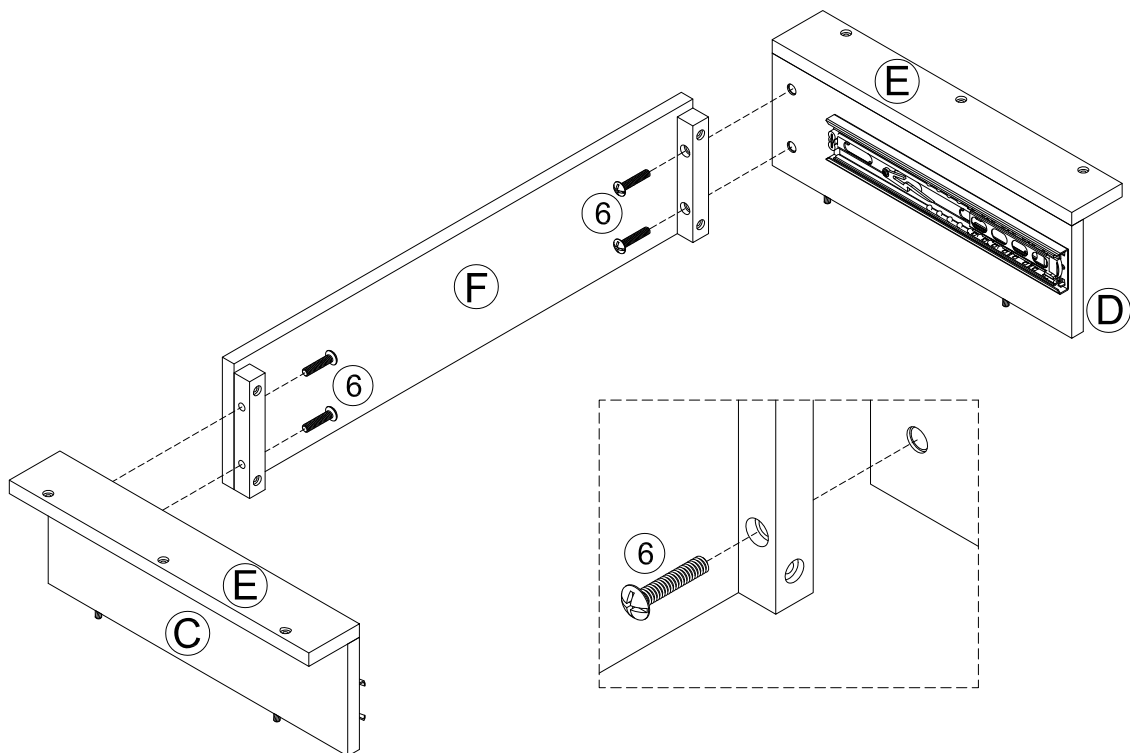
STEP 7

- ⑤  4pcs  
Ø15x9mm

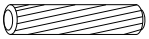


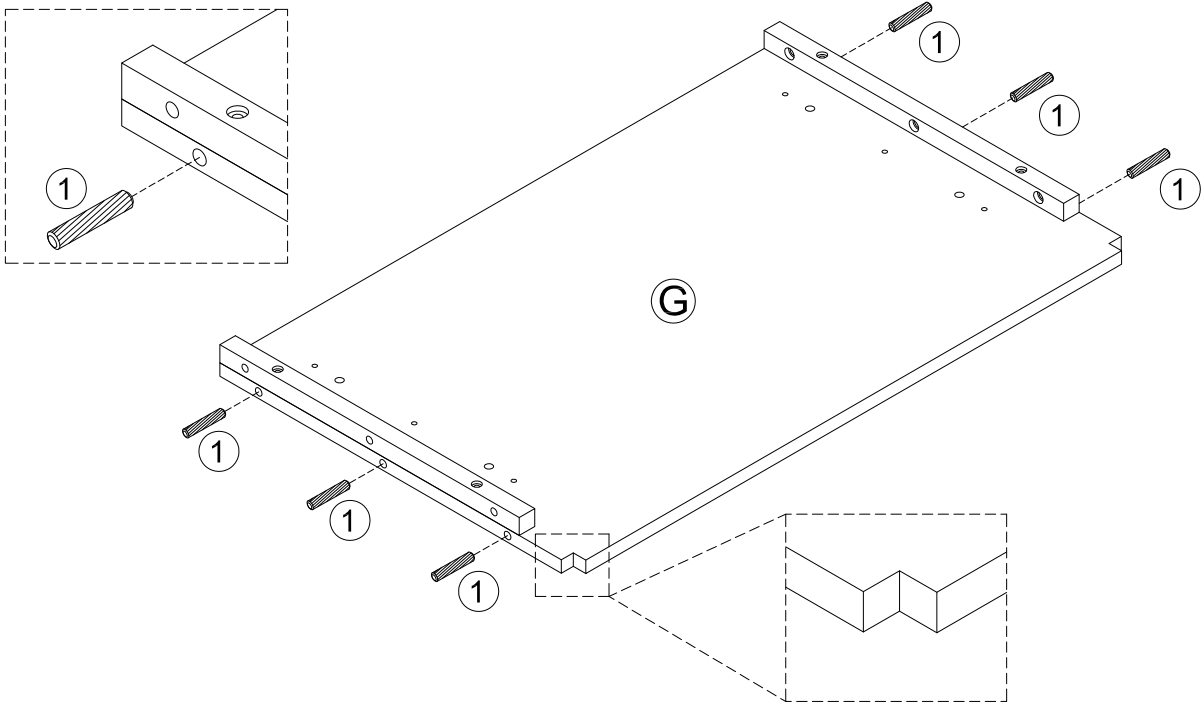
STEP 8

- ⑥  4pcs  
1/4"x25mm




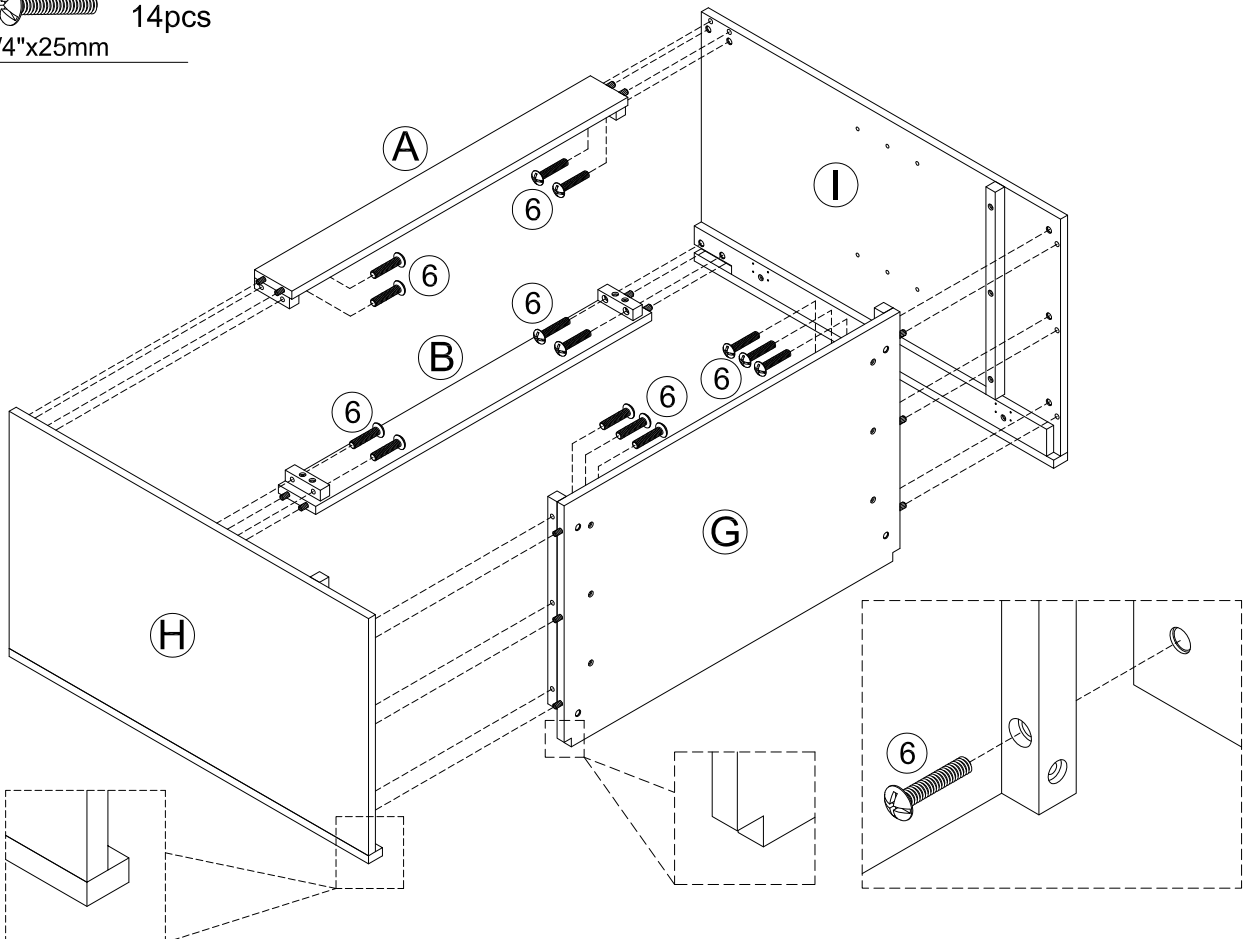
STEP 9

①  6pcs  
Ø8x30mm




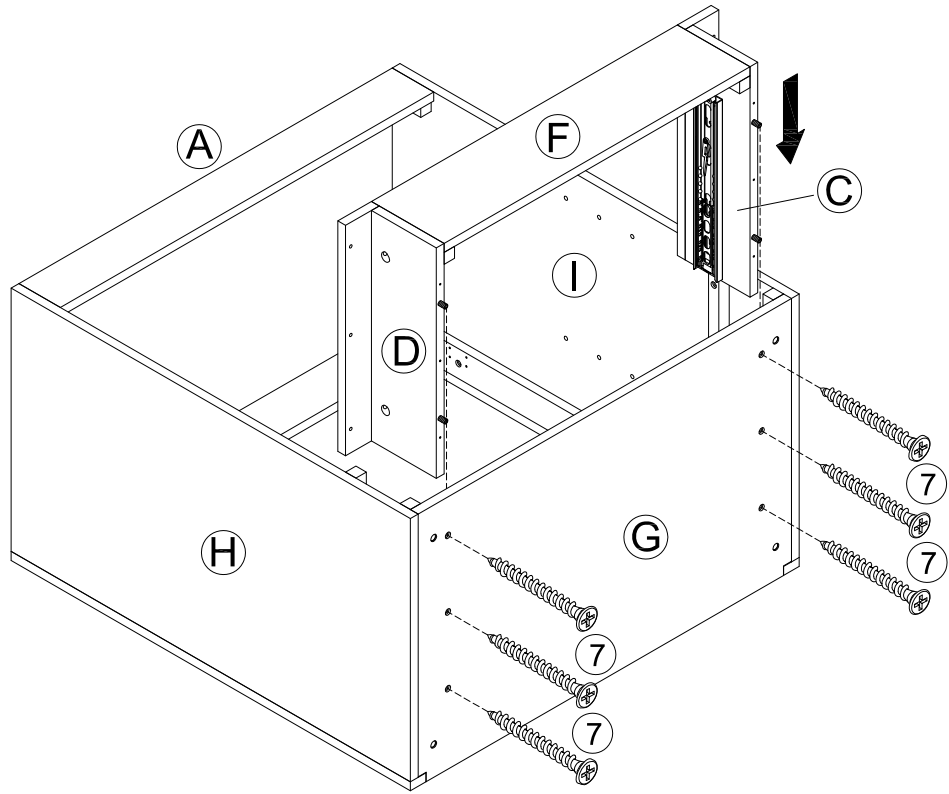
STEP 10

⑥  14pcs  
1/4"x25mm

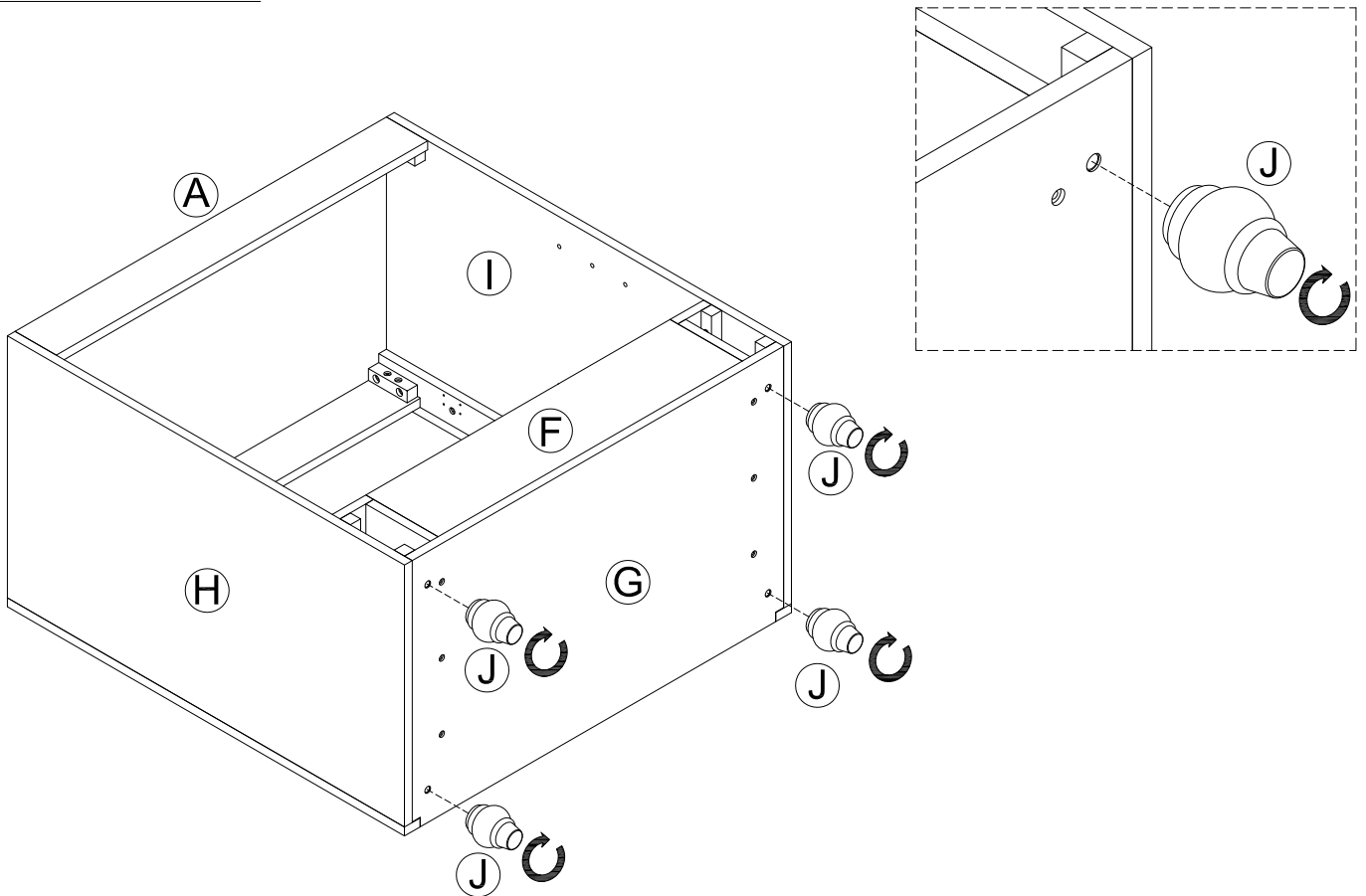


STEP 11


7  6pcs  
Ø4x35

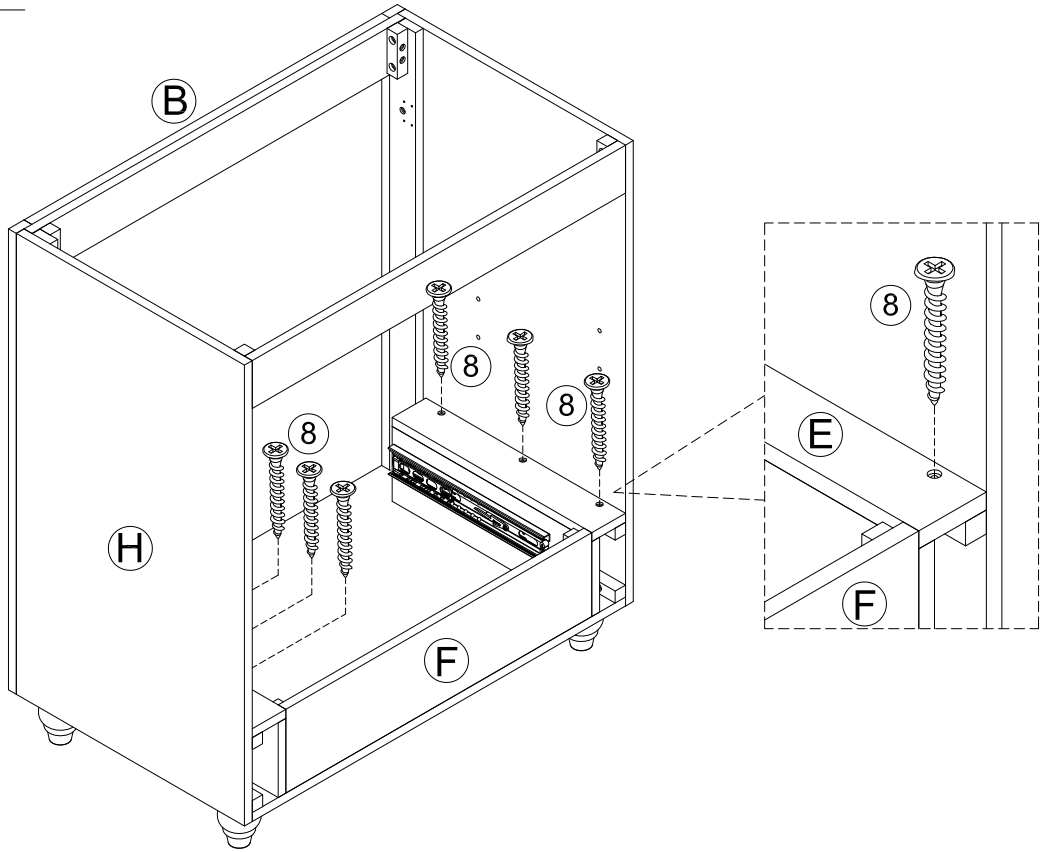


STEP 12




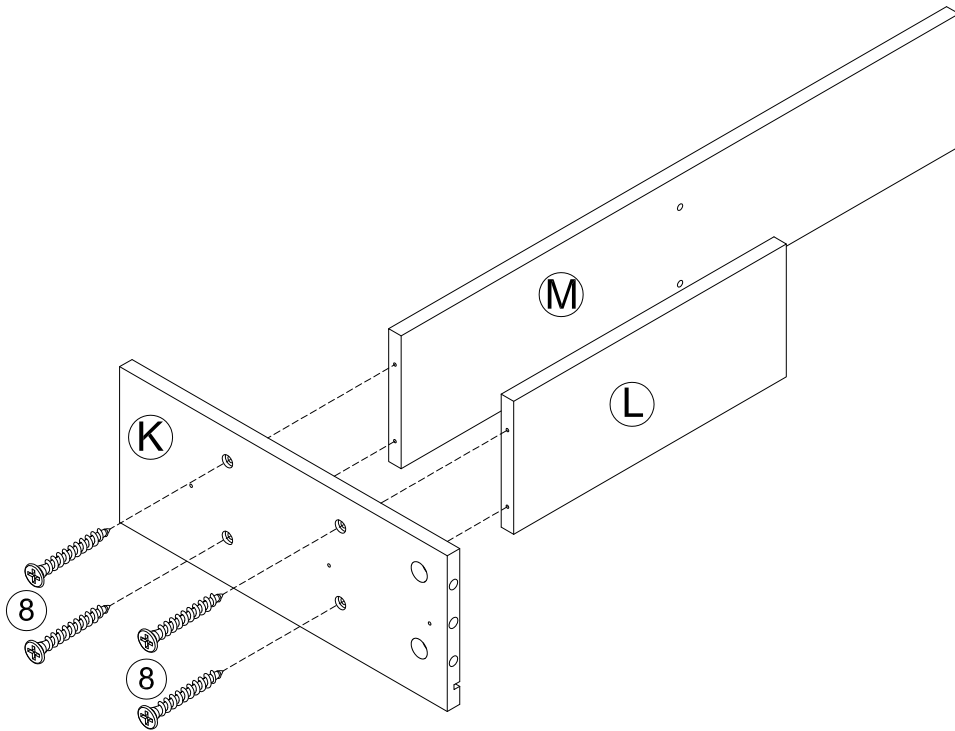
STEP 13

⑧  6pcs  
Ø4x25




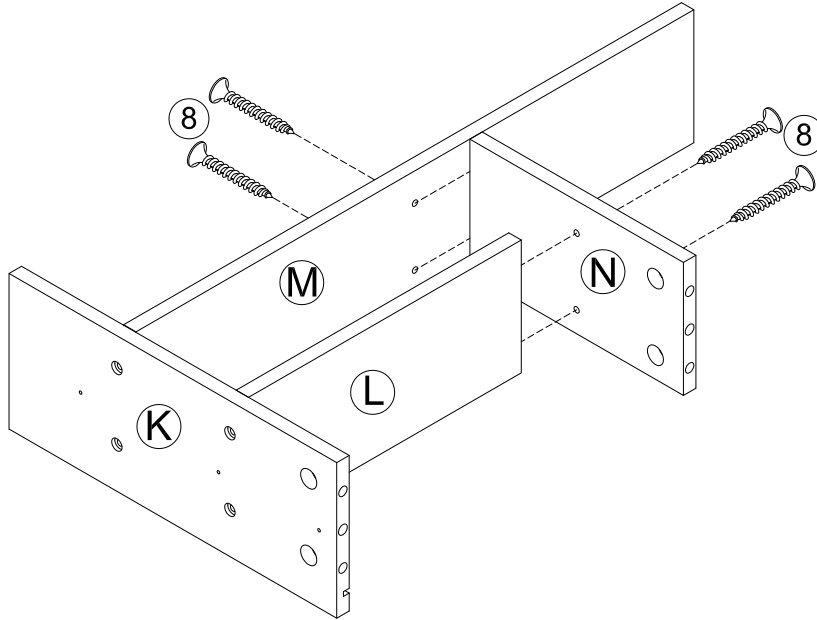
STEP 14

⑧  4pcs  
Ø4x25




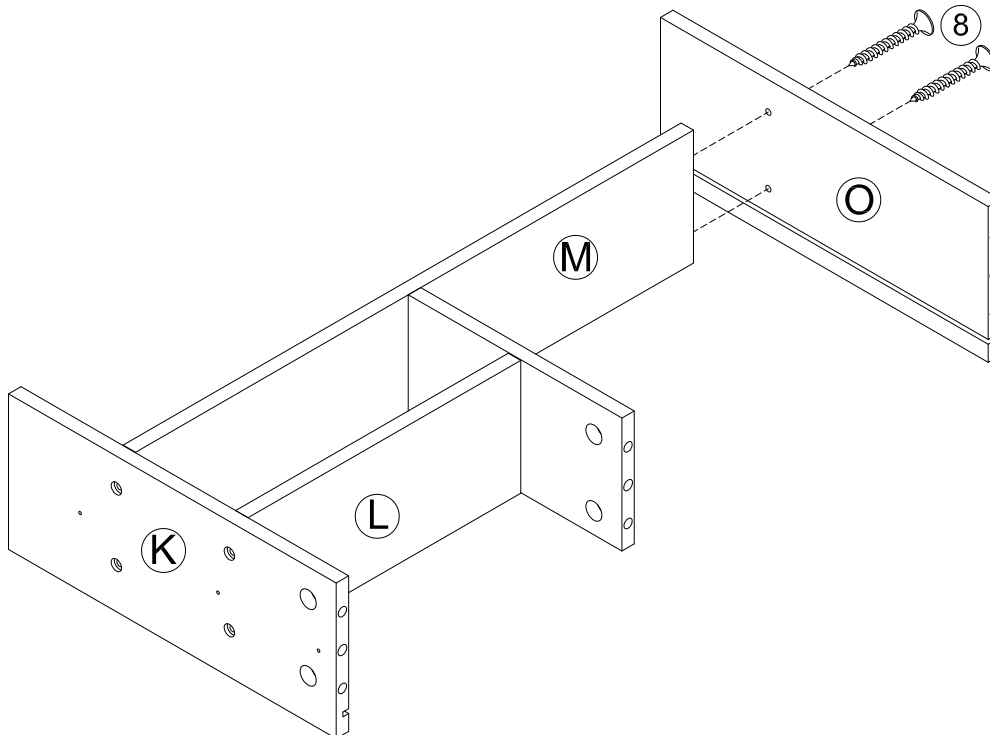
STEP 15

⑧  4pcs  
Ø4x25




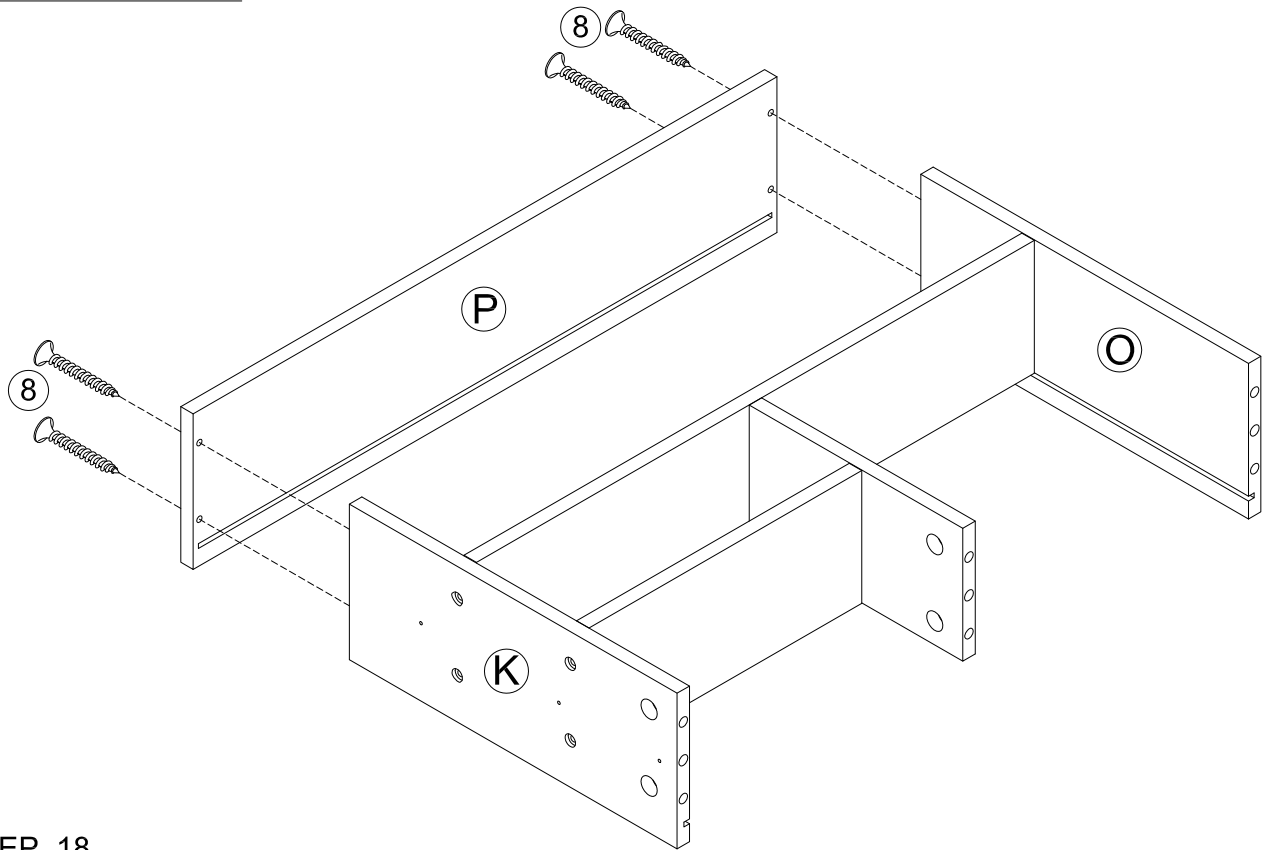
STEP 16

⑧  2pcs  
Ø4x25

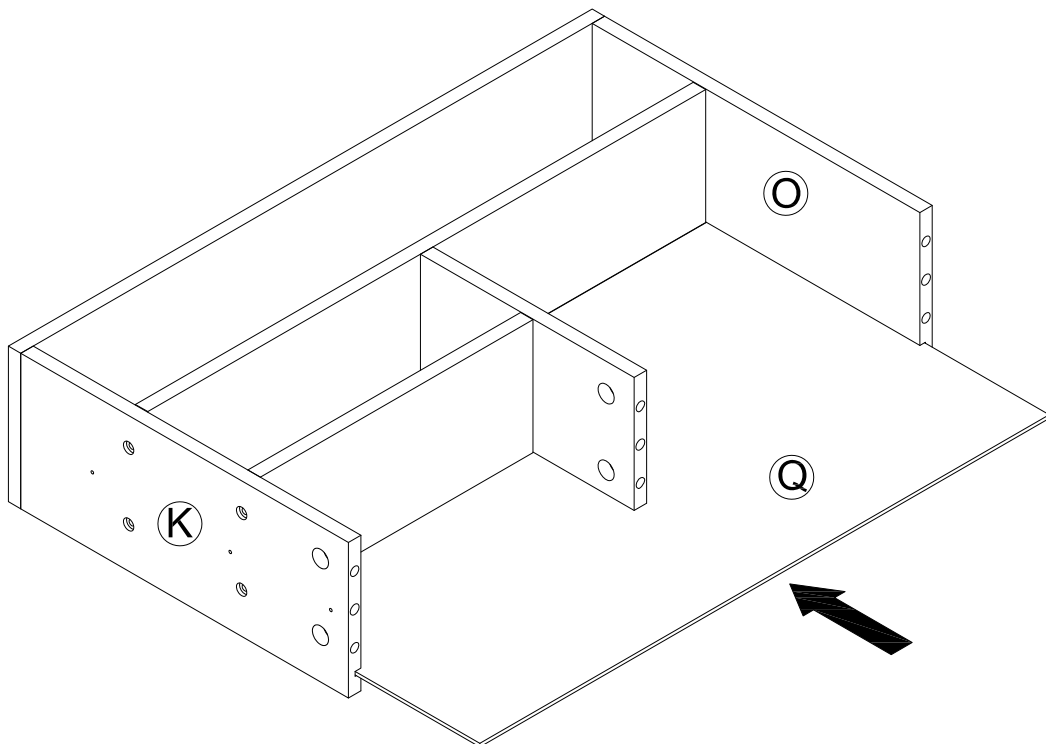


STEP 17

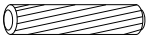
8  4pcs  
Ø4x25

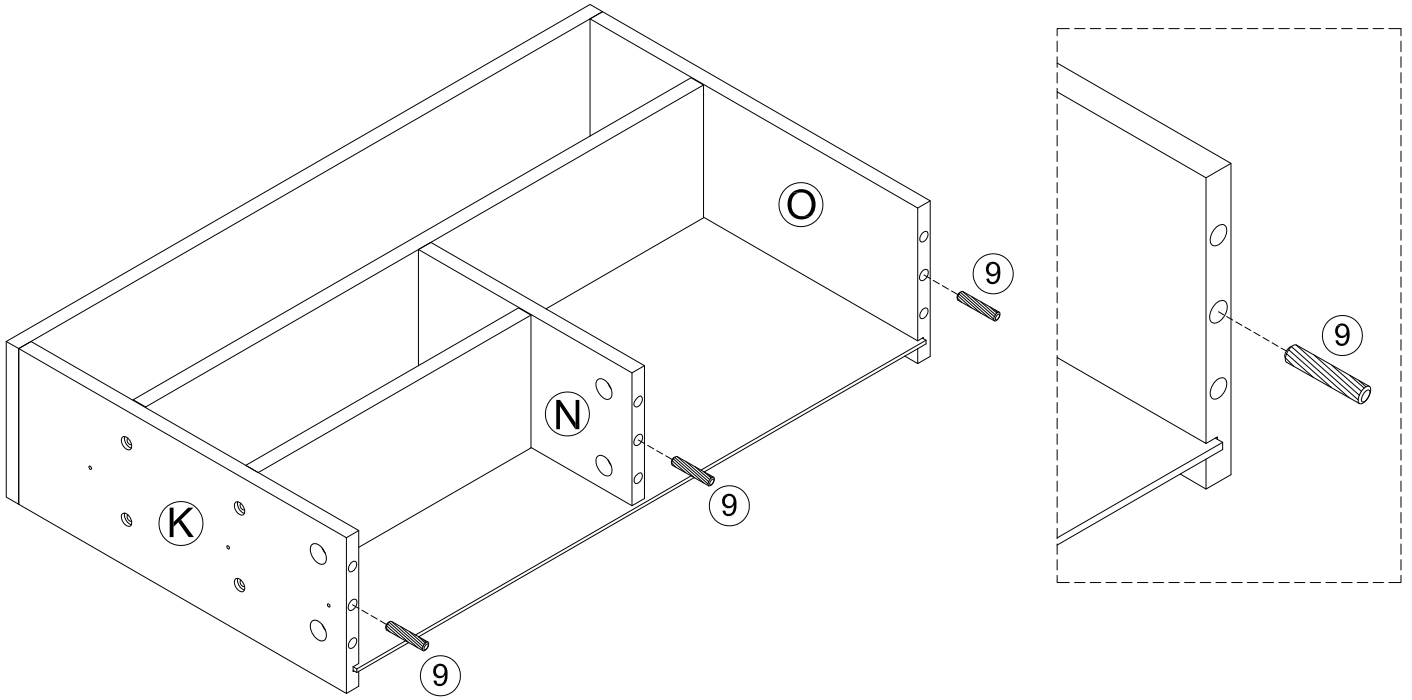


STEP 18



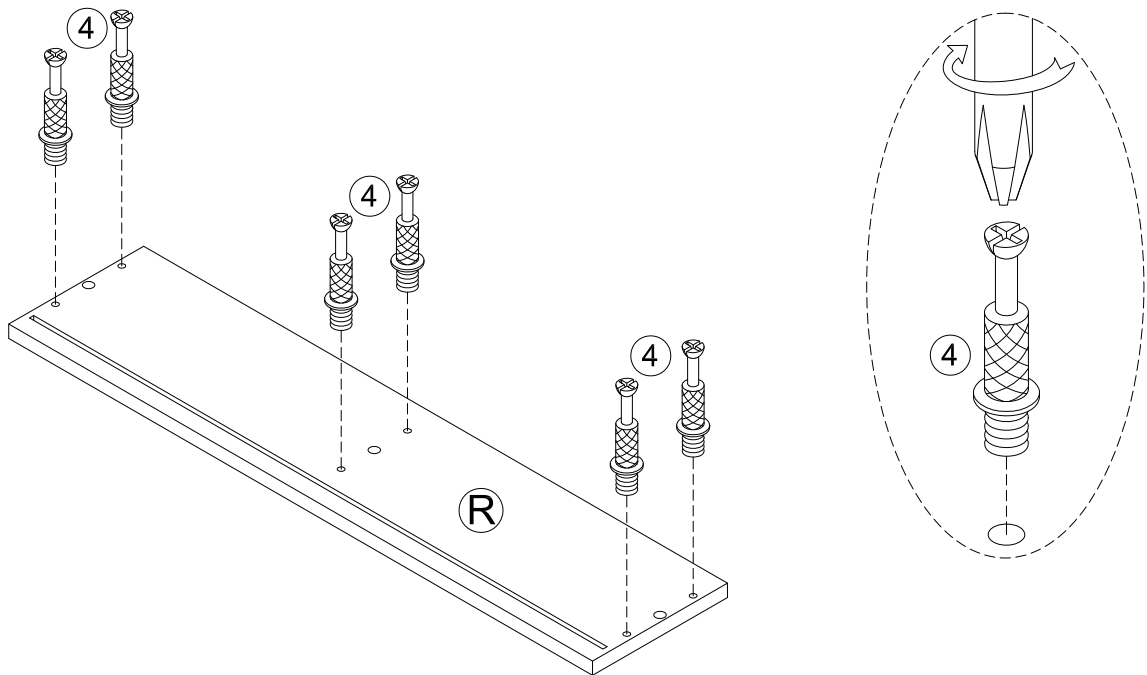
STEP 19

9  3pcs  
Ø6x30mm



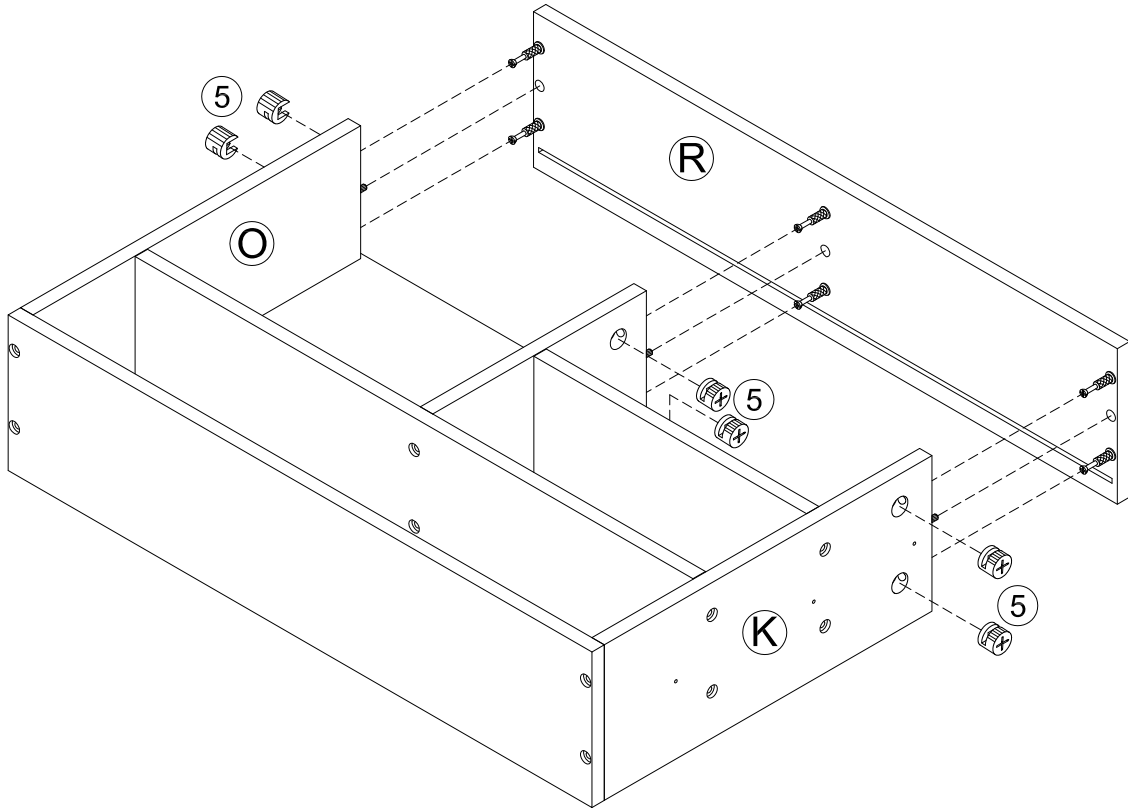
STEP 20

4  6pcs  
Ø6x33mm


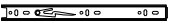


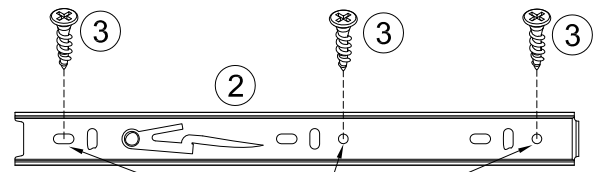
STEP 21

- ⑤  6pcs  
Ø15x9mm

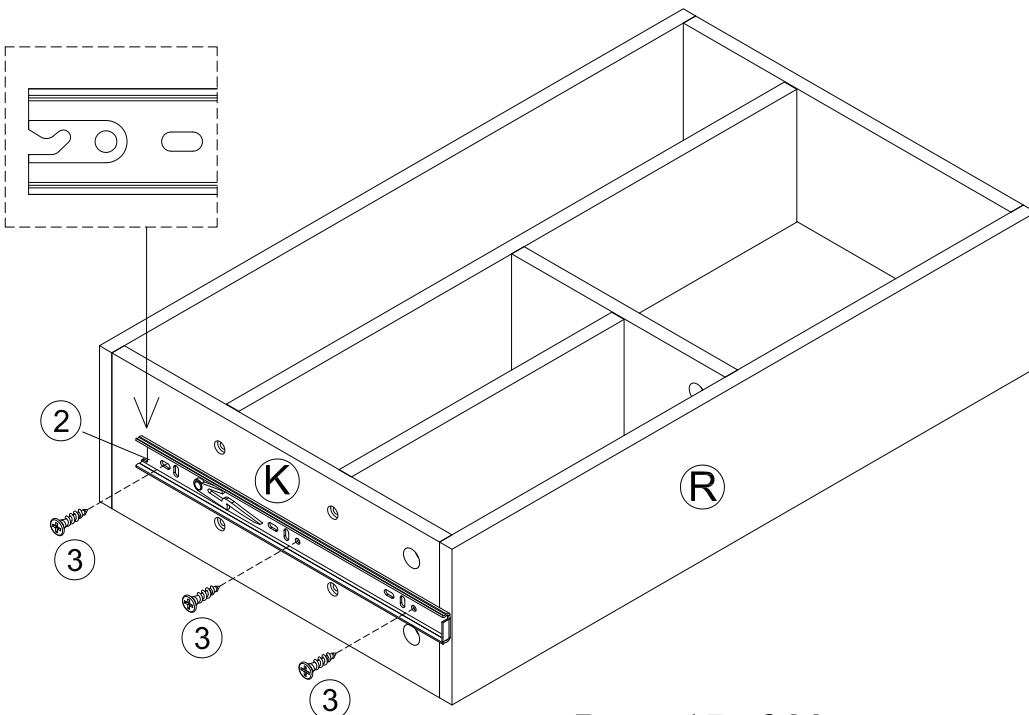


STEP 22

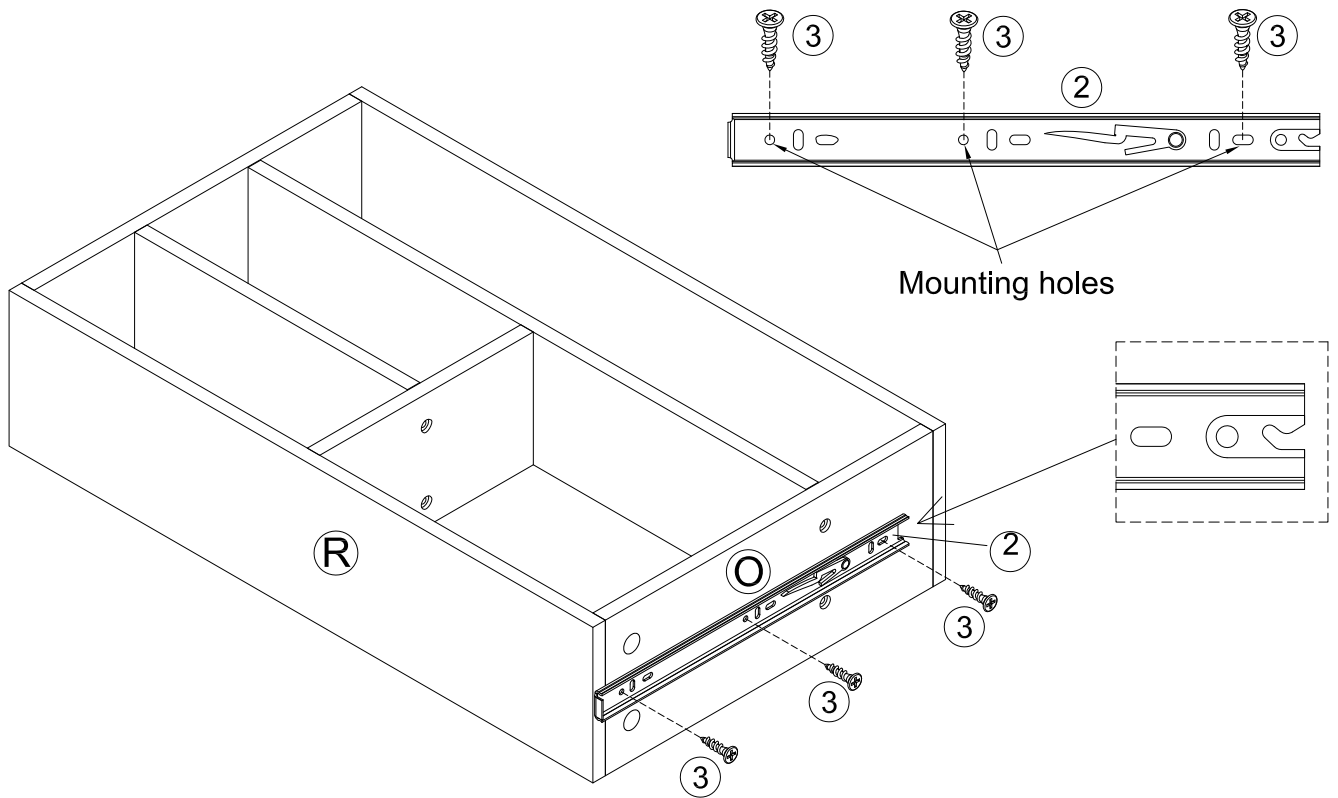
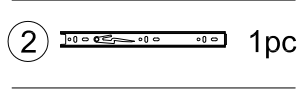
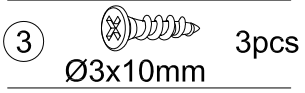
- ③  3pcs  
Ø3x10mm
- ②  1pc



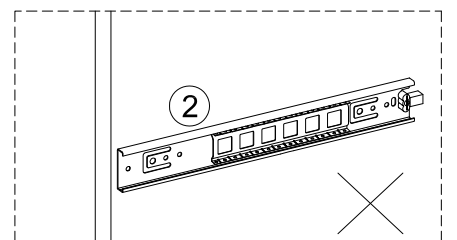
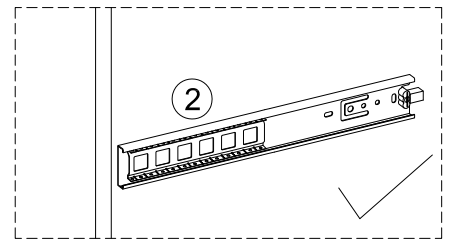
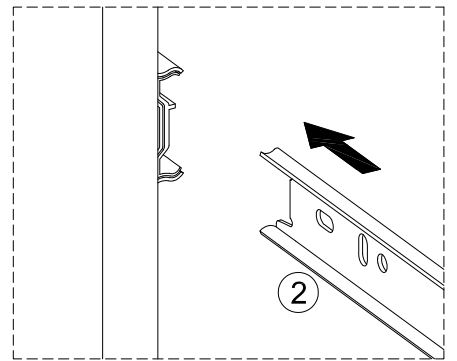
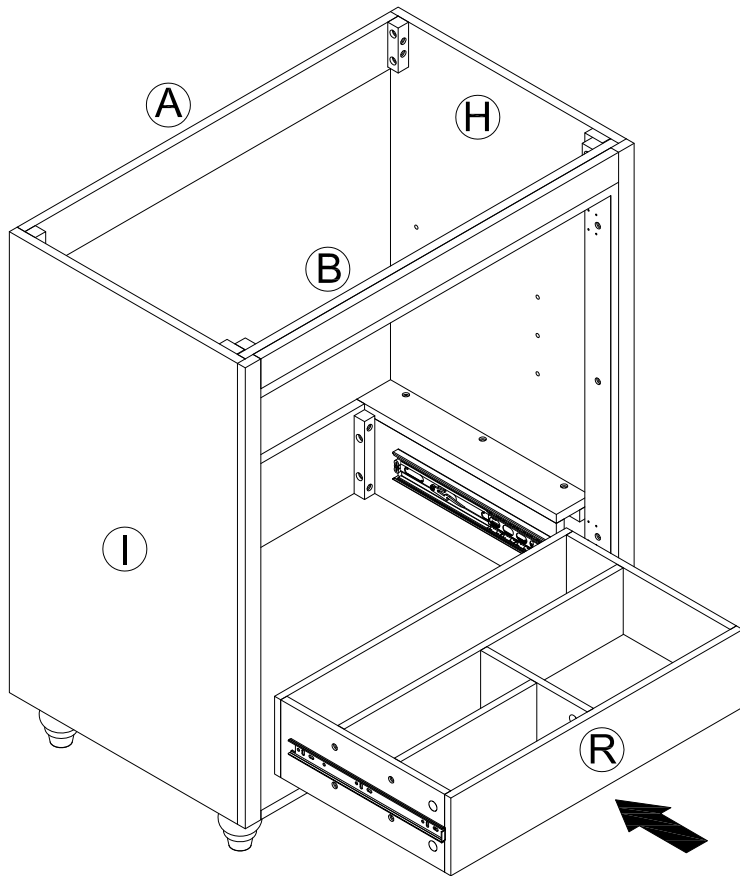
Mounting holes




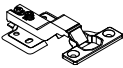
STEP 23

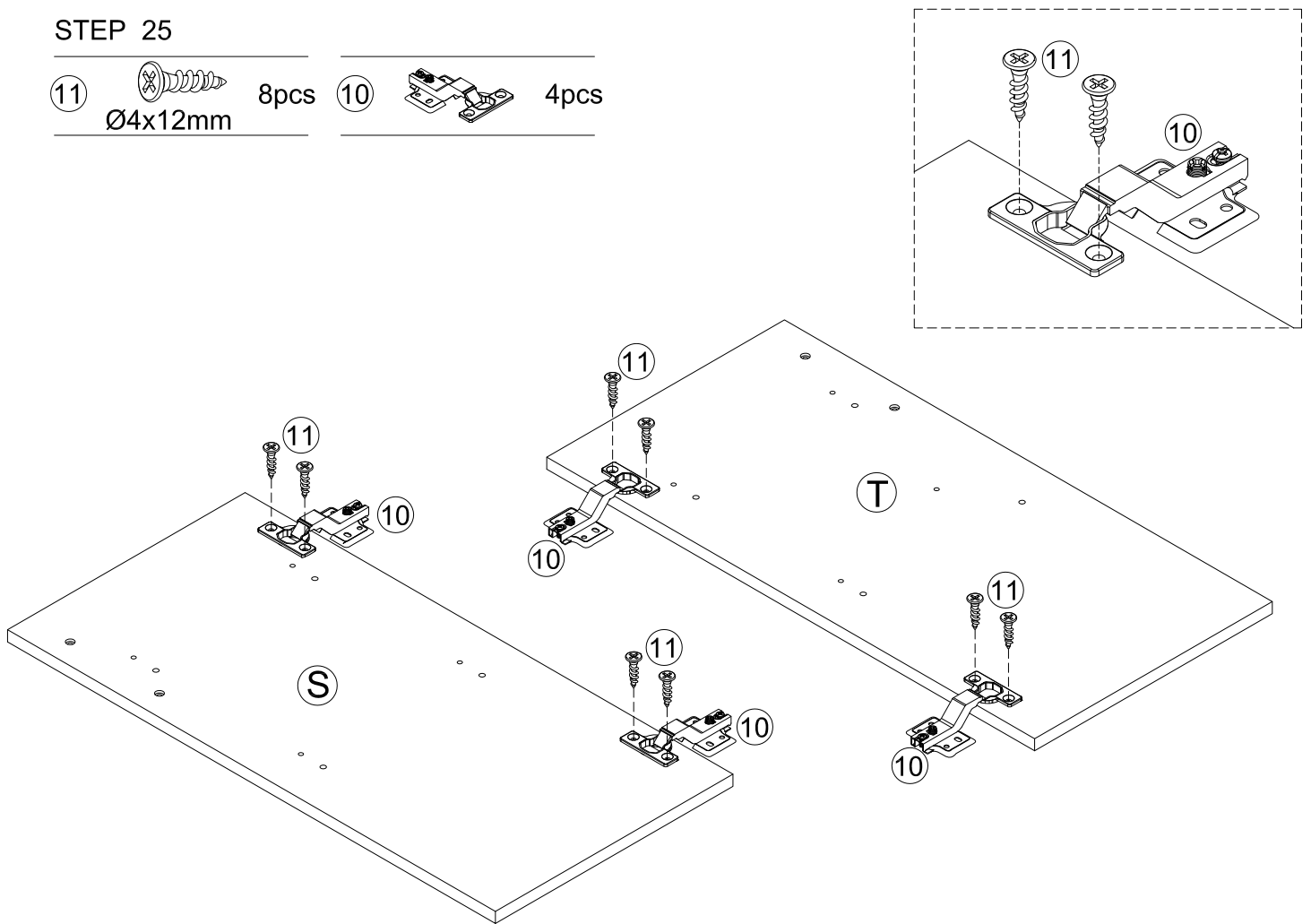


STEP 24




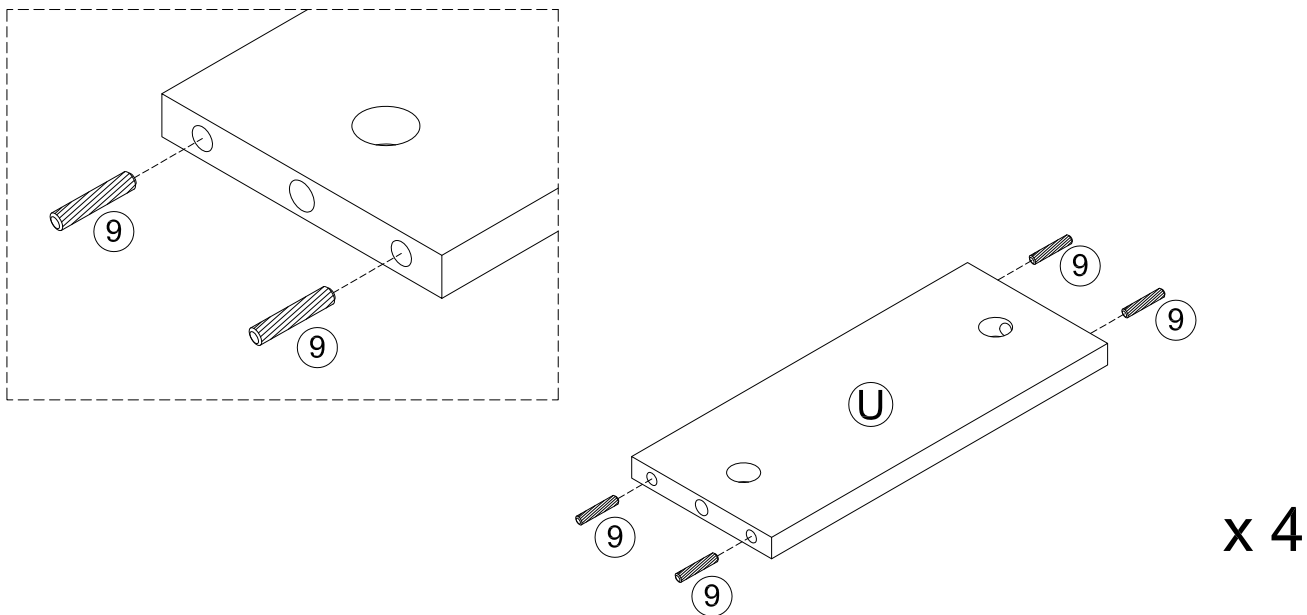
STEP 25

- ①①  8pcs  $\varnothing 4 \times 12 \text{mm}$  ①⑩  4pcs




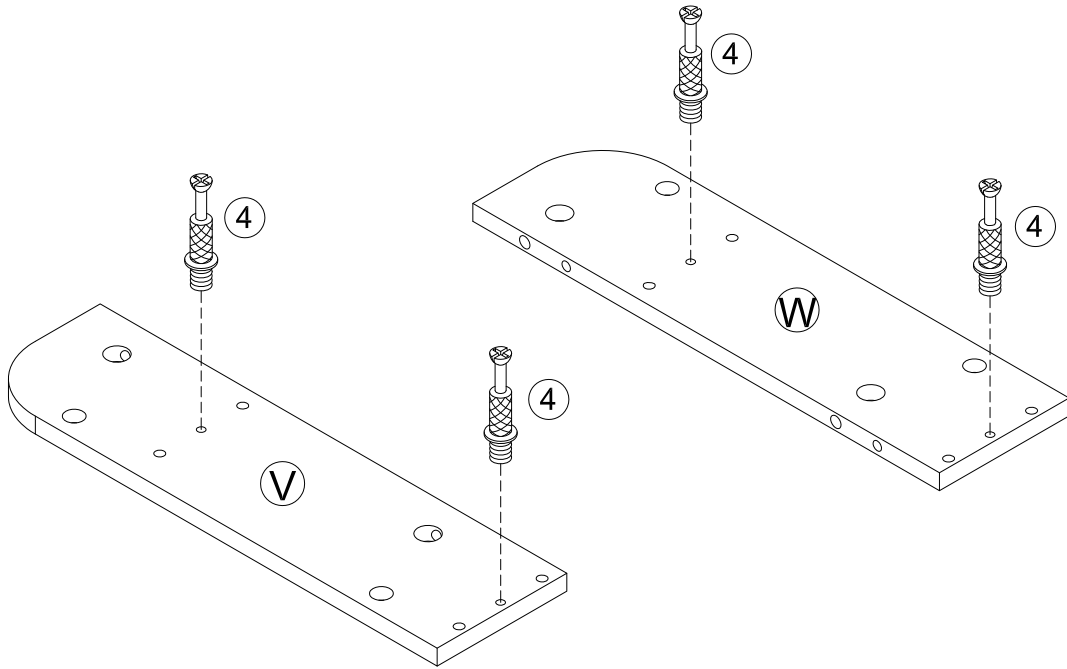
STEP 26

- ⑨  16pcs  $\varnothing 6 \times 30 \text{mm}$



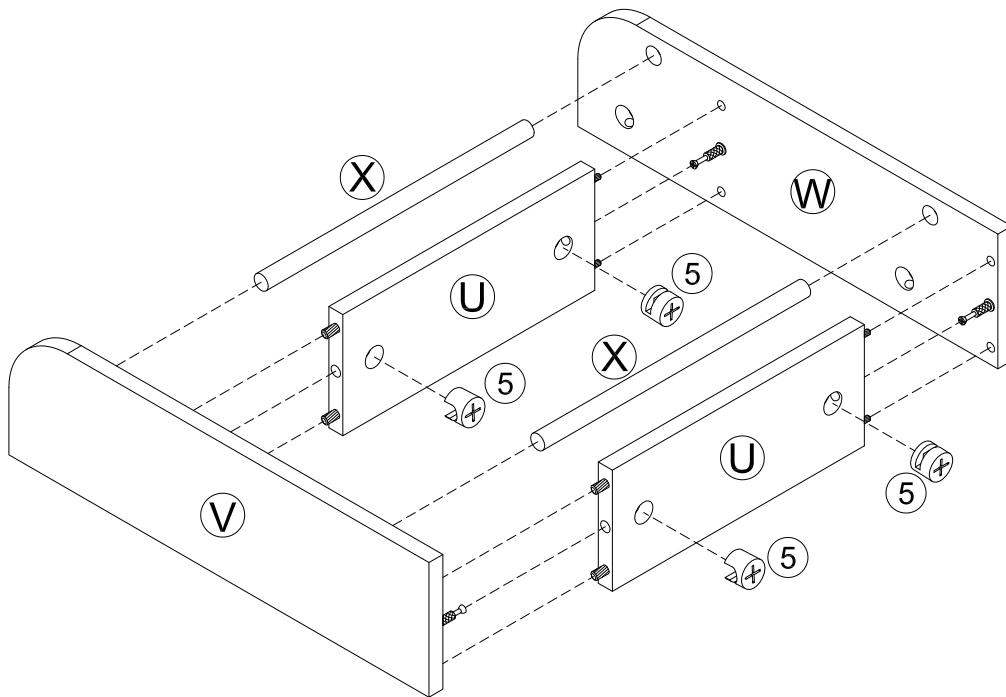
STEP 27

④  4pcs  
Ø6x33mm




STEP 28

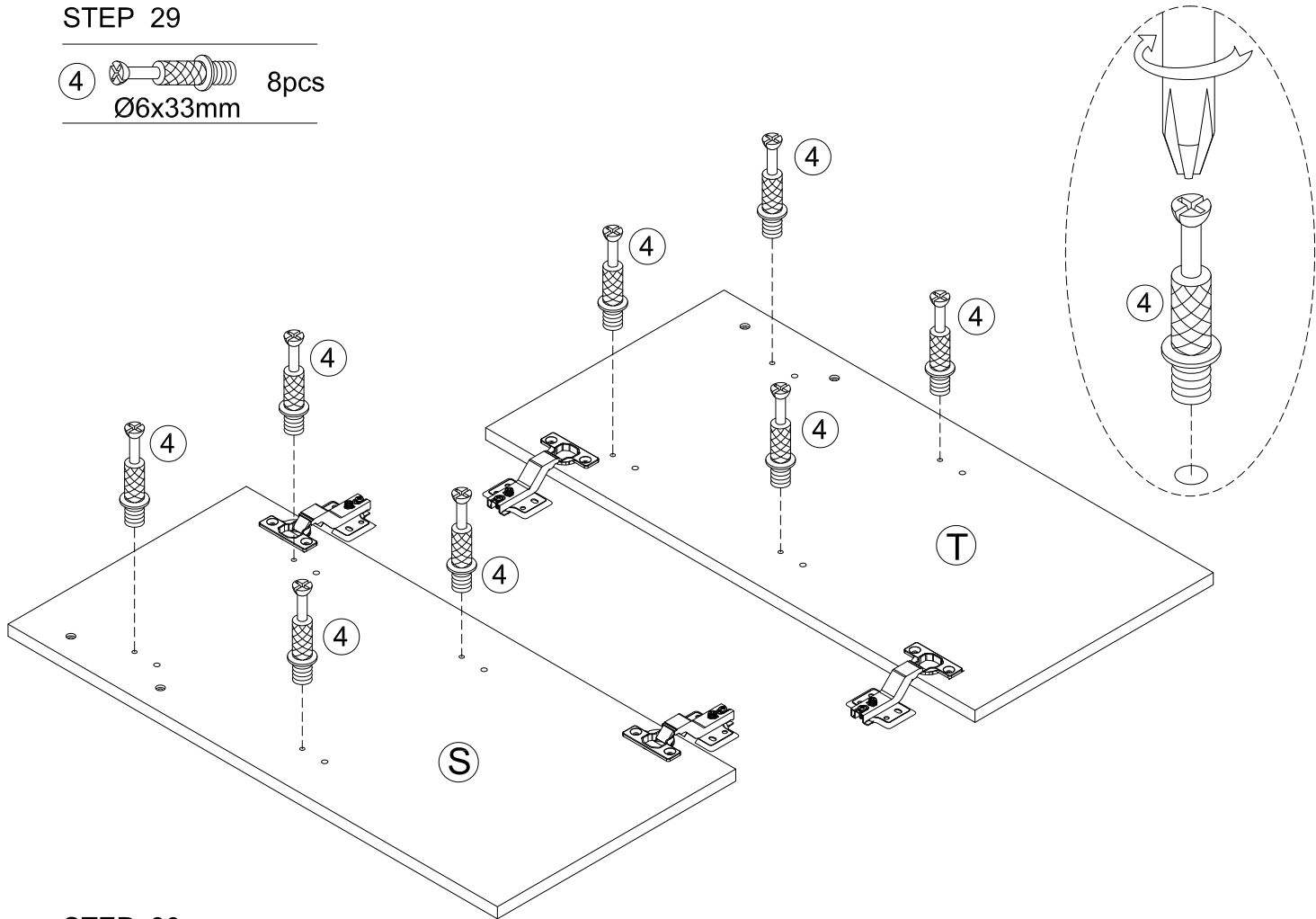
⑤  8pcs  
Ø15x9mm



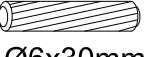
x 2

STEP 29

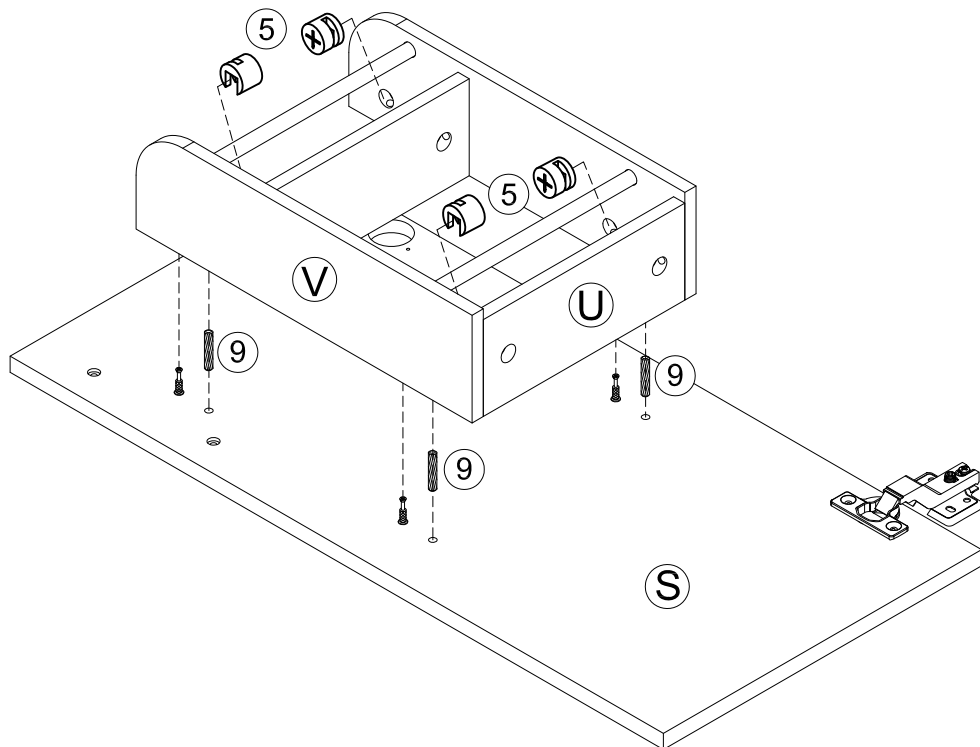
④  8pcs  
Ø6x33mm



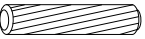
STEP 30

⑨  4pcs  
Ø6x30mm

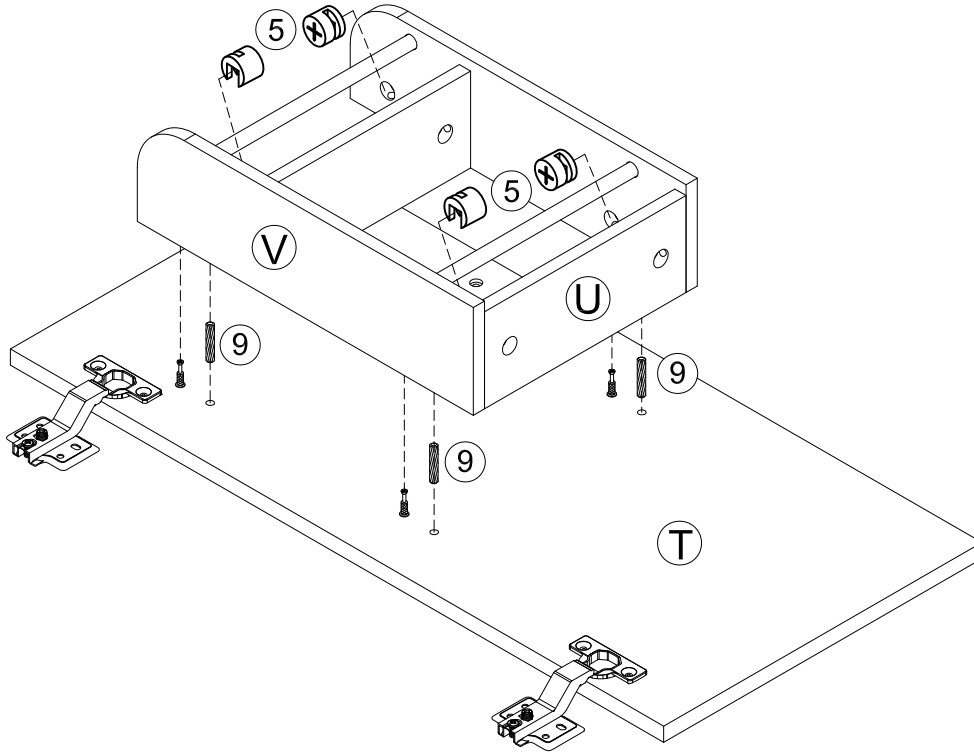
⑤  4pcs  
Ø15x9mm




STEP 31

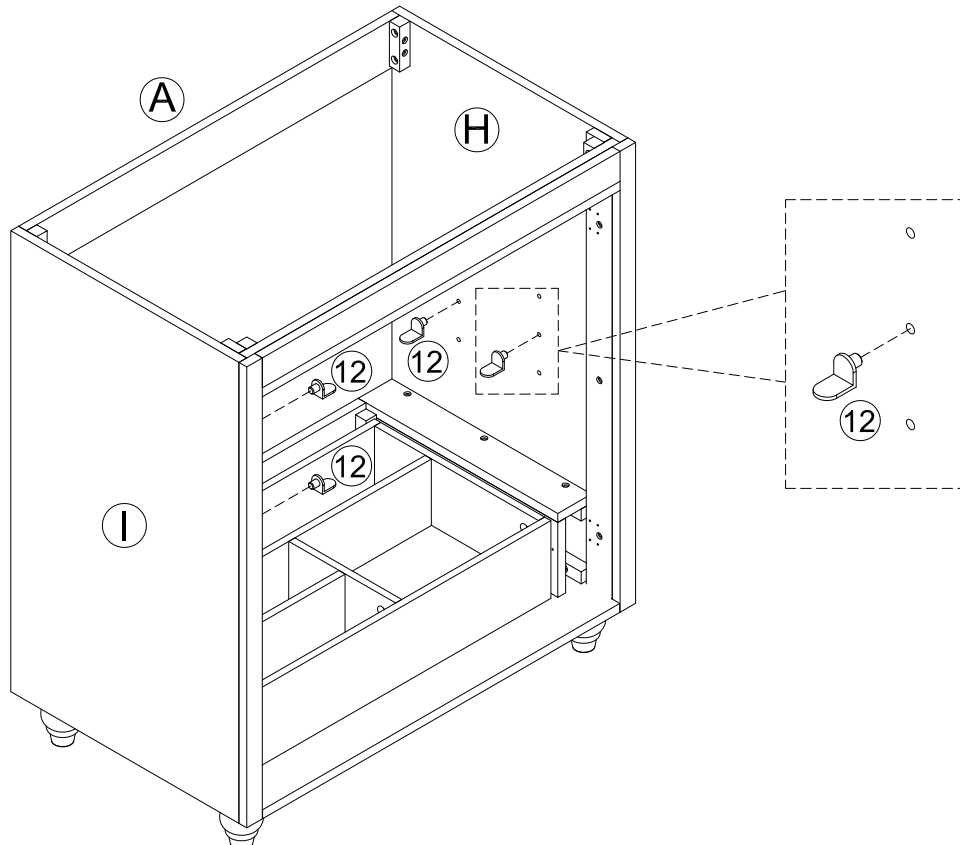
9  4pcs  
Ø6x30mm

5  4pcs  
Ø15x9mm

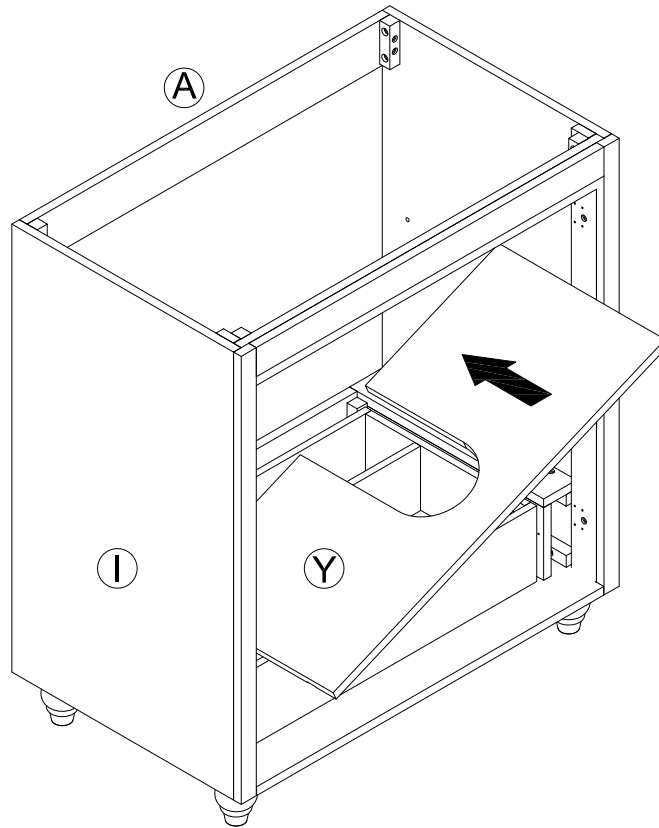


STEP 32


12  4pcs



STEP 33

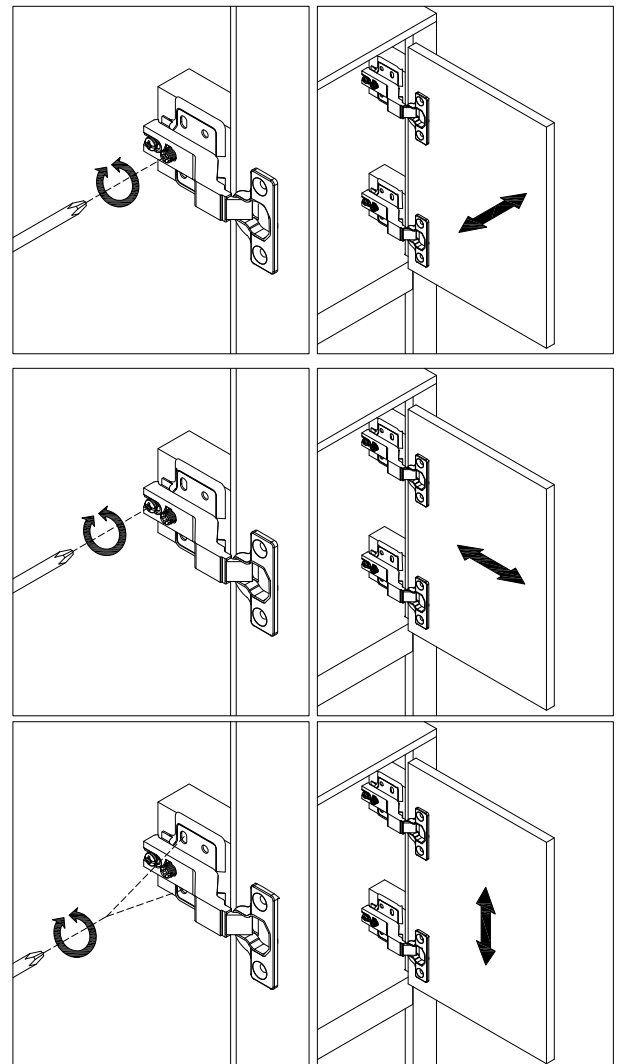
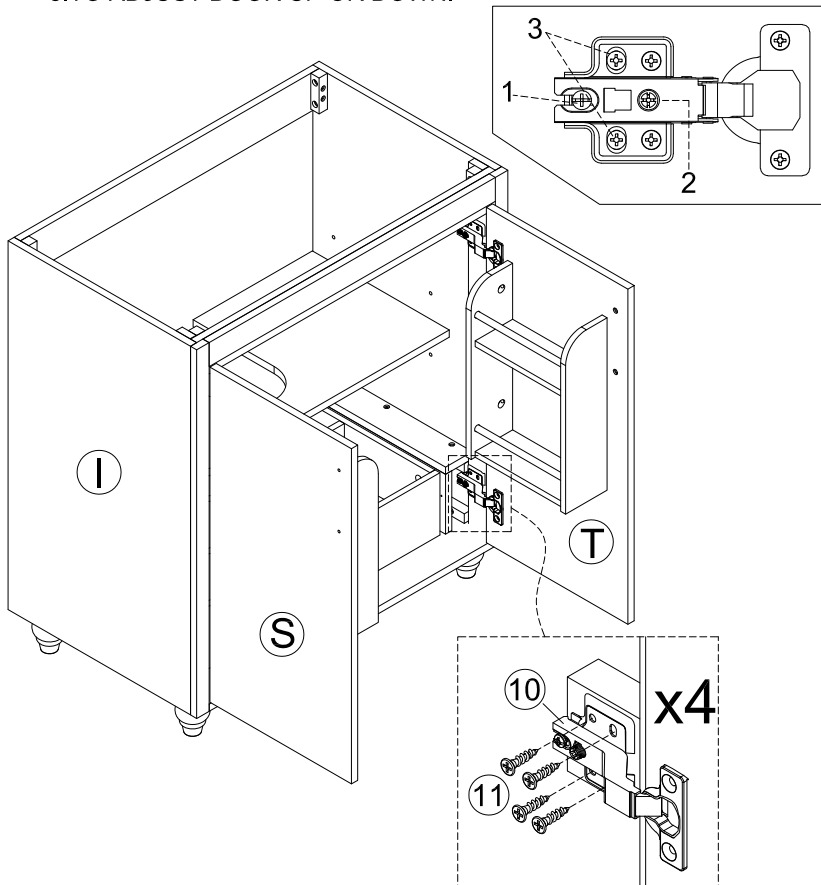


STEP 34

11  16pcs  
 Ø4x12mm

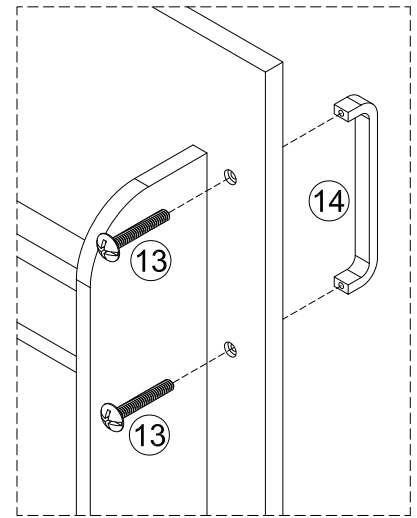
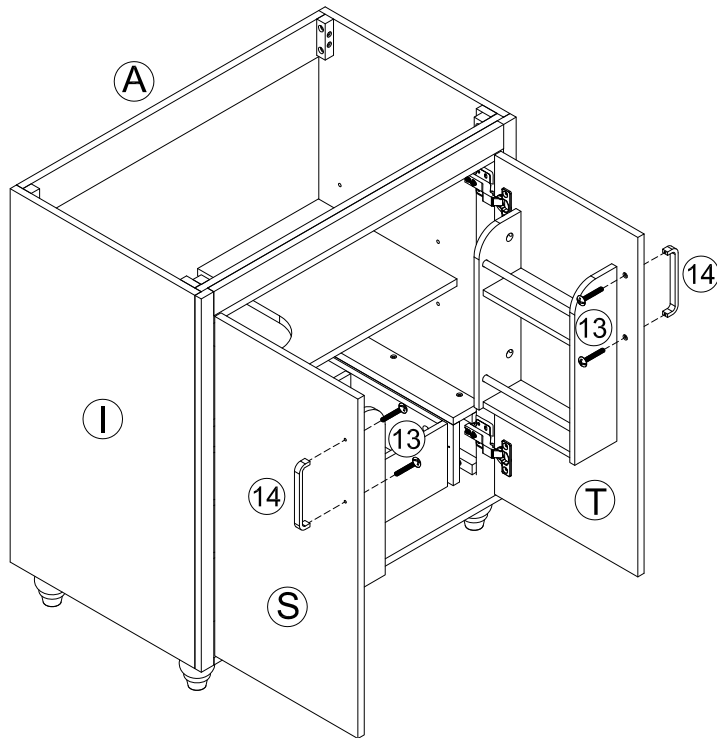
Three-way adjustable hinge for perfectly aligned doors

1. TO ADJUST DOOR FORWARD OR BACKWARD.
2. TO ADJUST DOOR TO RIGHT OR TO LEFT.
3. TO ADJUST DOOR UP OR DOWN.

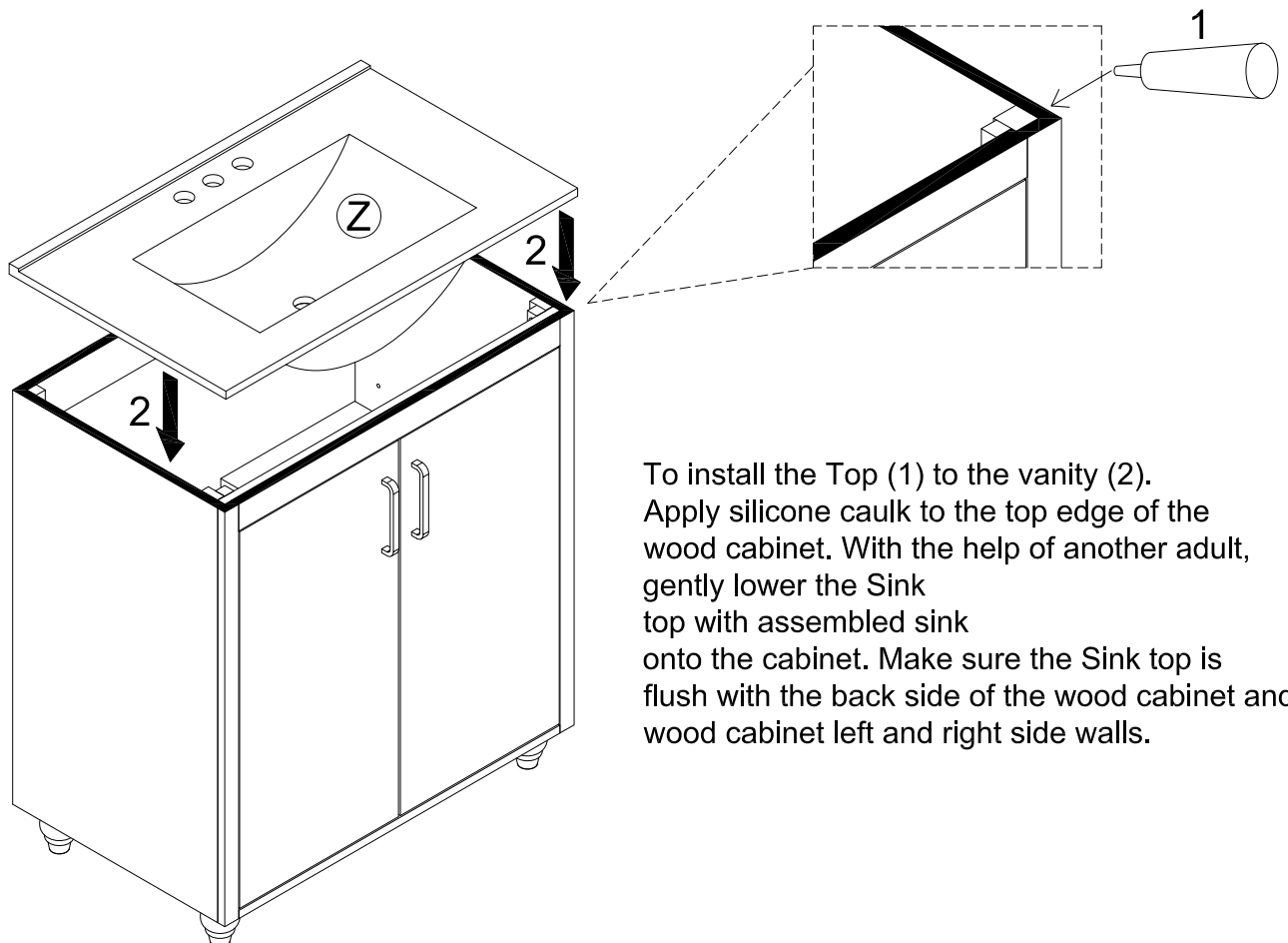


### STEP 35

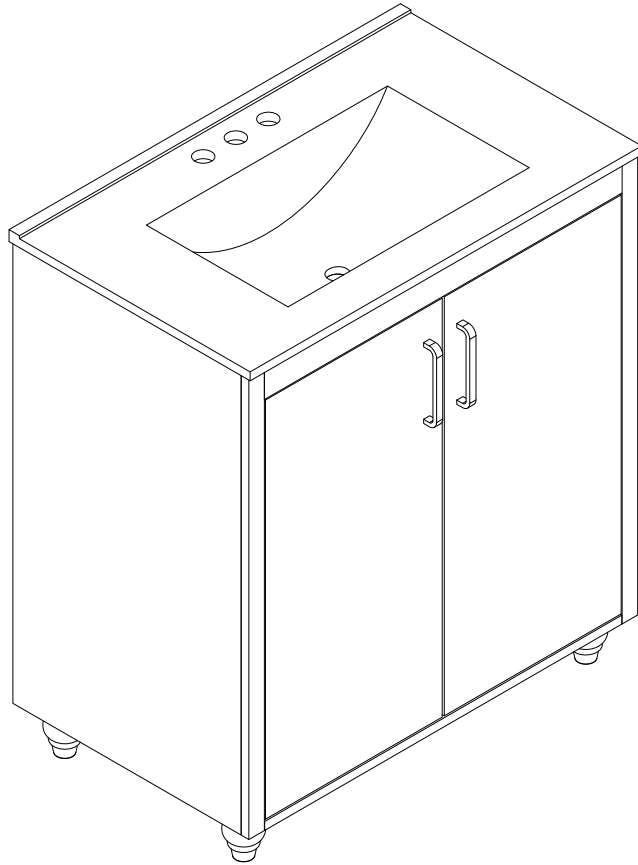
- ⑬ 5/32"x18mm 4pcs ⑭ 2pcs



### STEP 36



To install the Top (1) to the vanity (2). Apply silicone caulk to the top edge of the wood cabinet. With the help of another adult, gently lower the Sink top with assembled sink onto the cabinet. Make sure the Sink top is flush with the back side of the wood cabinet and the wood cabinet left and right side walls.



## **IMPORTANT-READ CAREFULLY-RETAIN FOR FUTURE REFERENCE**

### **WARNING:**

- Children must stay away from the assembly zone, preventing children from potential asphyxia because of plastic bag and foam breathing in nose;
- For your safety, please do not tread or climb product.
- The loading weight shall be within the range that vendor claims. The product is designed for adults use, domestic use and indoor use only.
- The product shall not combine with other product for use.
- If the product with seat height adjustments with energy accumulators that only trained personnel may replace or repair seat height adjustment components with energy accumulators
- Check regularly that all assembly fastenings are properly tightened, do not use the product if any structural part is broken or missing
- Incorrect installation and incorrect use can cause accidents. Please completely follow the guidance of assembly instruction.

### **Security instructions:**

- Before assembling check whether all parts listed in the parts list have been delivered. Do not start assembling if parts are missing or damaged.
- A failure to assemble this product correctly could cause damage or result in serious injury! Before assembling make sure that you have enough space for the procedure. Assemble on a flat surface.
- Keep the assembly instructions available at all times and follow each of the individual steps exactly.
- During assembly, be careful with all the parts of the assembly (do not walk on them or distort them) and beware of shearing and trapping risks. Keep children and pets away while setting up the furniture.