



10 : 00

estimated
assembly time



2 or more

people required

Ok, let's
get started!



- Put on mood music!
- To prevent damage to product, use the clean side of package carton or rug as working surface.
- In the event of missing or damaged parts, delivery problems etc., please reach out to our team.
We will be happy to fix the problem!

care guide

- Clean regularly with a soft and dry cloth.
- To protect finish, avoid use of abrasive cleaners.
- Wipe up spills immediately. Please!



ⓘ **While assembling the product, tighten the bolts up to 50%. Once all parts are in place, only then fully tighten the bolts.**



product
parts



(A)
Table glass
x2



(B)
Metal Top
x4



(C)
Middle Metal Pipe
x4



(D)
Metal Leg
x4

what's included



(E)- Washer
x16

assembly instructions

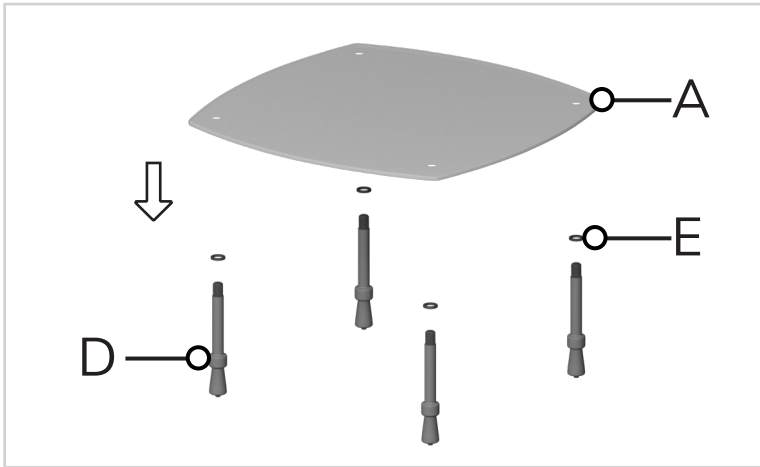
Friendly Tip: Take a deep breath going in. This may be a tricky part, but nothing too overwhelming. Just follow these steps to the T and the outcome will be worth it!



- ⓘ While assembling the product, tighten the bolts up to 50%. Once all parts are in place, only then fully tighten the bolts.

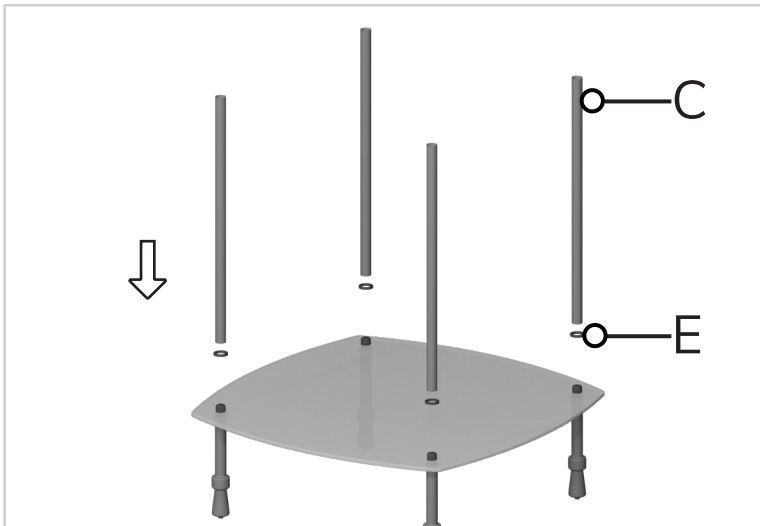
step 1:

Start by aligning the table glass (A) with Washer (E) and Metal Legs (D) as shown below.



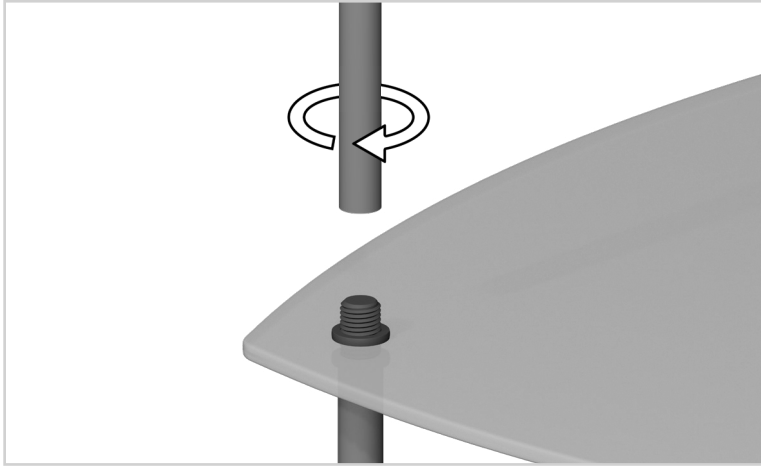
step 2:

Now, take the Middle metal pipes (C) and align with the other parts as shown in the image below.



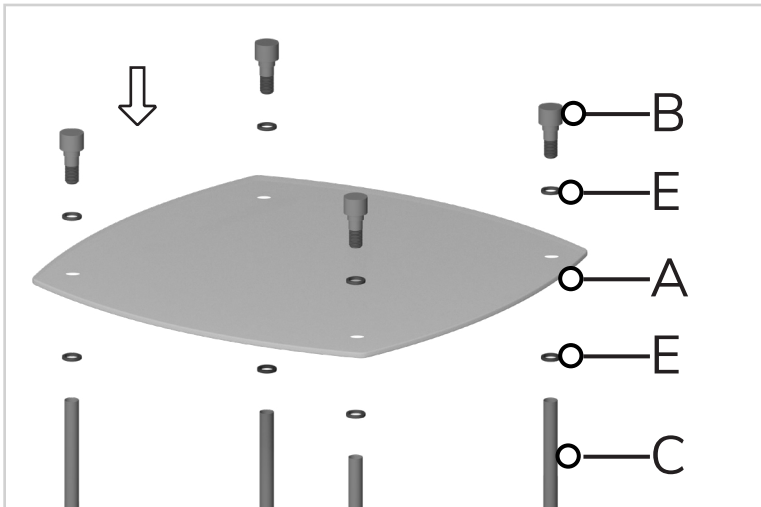
step 3:

Fix the structure by rotating metal pipes (C) in the clockwise direction.



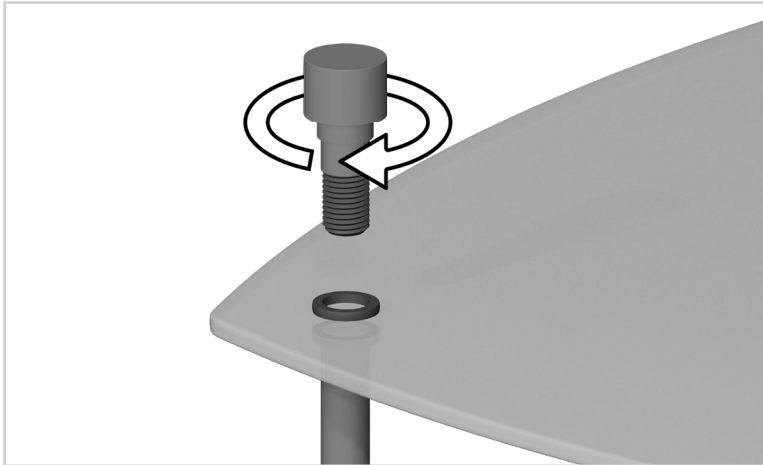
step 4:

Similarly, align the remaining components in the following order: silicon washer (E), table glass (A), washer (E) and finally table top metal (B) as shown below.



step 5:

Fix the structure by table top metal (B) in the clockwise direction. Check if all the parts are tighten upto 100%.



Voila! Your table is now assembled and secure!

you've
got
a home
with us

