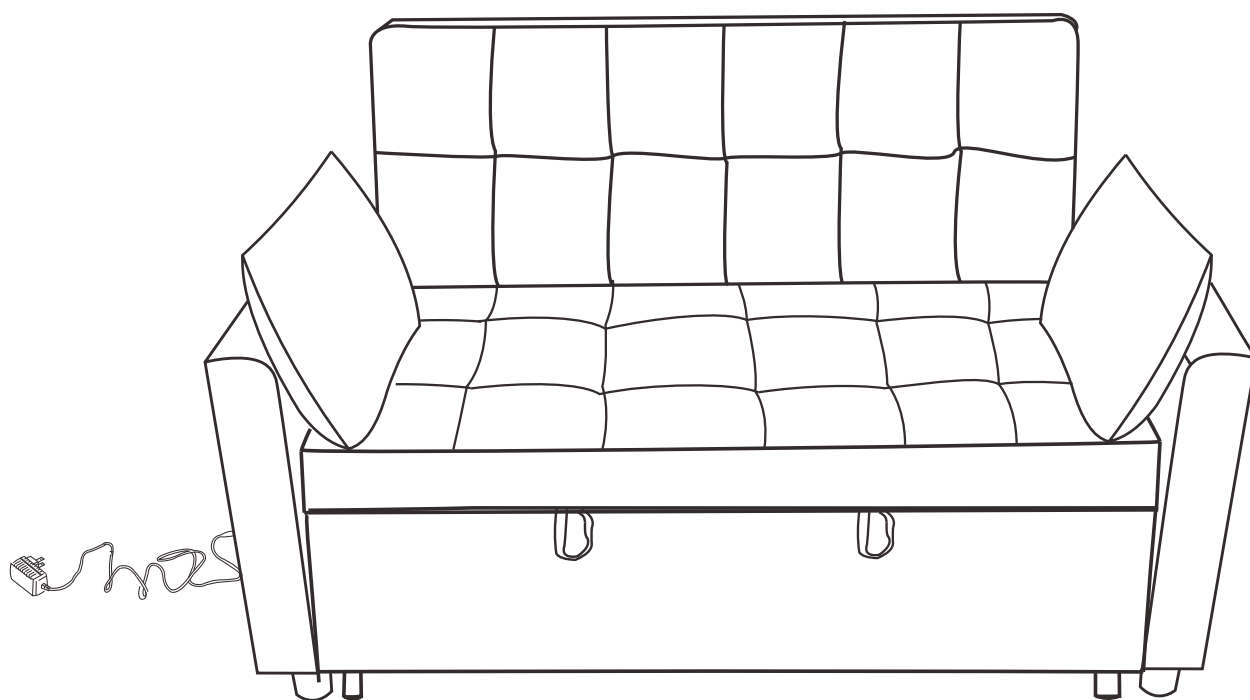


# ASSEMBLY INSTRUCTIONS

sofa bed



TIME



2 OF PEOPLE



DIFFICULTY

## NOTICE

### Instruction Booklet - Important Safety Information

Thank you for choosing our product. Please review this booklet carefully for essential safety information and keep it for future reference.

- Upon receiving the product, ***ensure all parts are present and intact*** before proceeding with installation. Follow the entire installation instructions provided.
- During installation, be careful not to tighten the screws immediately. Secure all screws to 80% before final tightening.
- Note: Cushions are ***compressed*** and cannot be recompressed once opened. Returns are accepted only for items in their ***original, unopened condition***.

For assistance, contact our support team at  
if you encounter the following issues:

- A. The outer box is damaged.
- B. The product is damaged/bent/cracked while you open the box.
- C. The parts/accessories/assembly tools are missing.
- D. The instructions are not clear and cannot be referred to.
- E. The product has functional problems.
- F. Other aspects that you are not satisfied with.

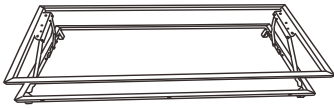
Your satisfaction is our priority, and we're here to assist you every step.



**Before installation, please check that the parts are all included !**

# Carton A

Materials ▶



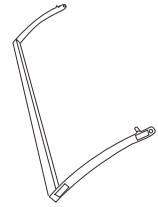
**Pullout Bed Seat Frame**

**A\*1**



**Connect Roadof 2 Seater**

**B\*1**



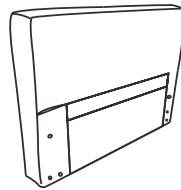
**Back Connect Metal**

**C\*1**



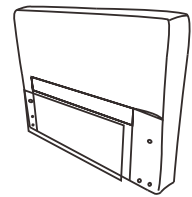
**2 Seater Slat**

**D\*2**



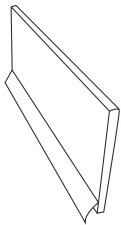
**Left Armrest**

**E-L\*1**



**Right Armrest**

**F-R\*1**



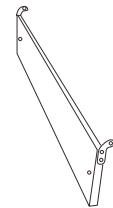
**Top Back Frame**

**G\*1**



**Chaise&Pullout Bed Slat**

**H\*1**



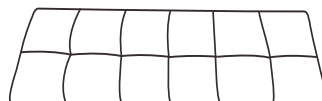
**Under Back Frame**

**I\*1**



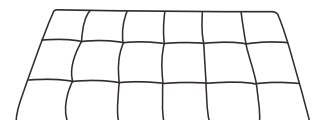
**Pullout Bed Front Board**

**J\*1**



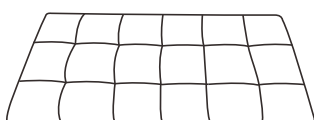
**Back Cushion**

**K\*1**



**2 SeaterSeat Cushion**

**L\*1**



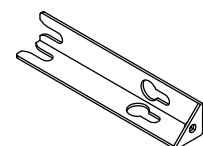
**PulloutBed Seat Cushion**

**M\*1**



**Armrest Pillows**

**N\*2**

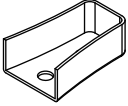
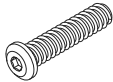
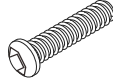
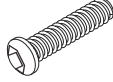


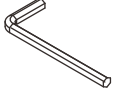



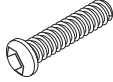
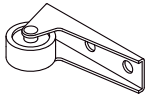




**Connect Metal**

**A1\*2**

# Carton A

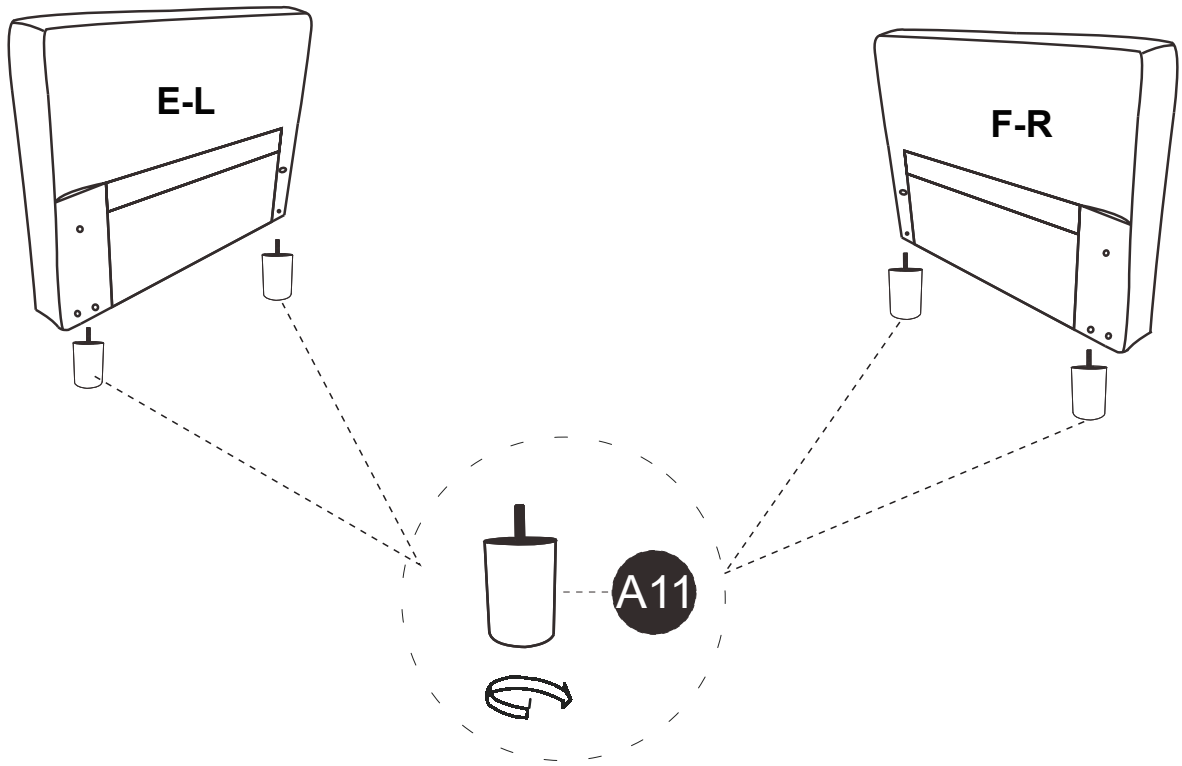
Materials ▾

 <p>Limiting Stopper</p> <p><b>A3*2</b></p>	 <p>M6x20mm Screws</p> <p><b>A4*16</b></p>	 <p>M6*40mm Screws</p> <p><b>A5*3</b></p>	 <p>M6*20mm Screws</p> <p><b>A6*4</b></p>
 <p>Spring Gasket</p> <p><b>A7*2</b></p>	 <p>Gasket</p> <p><b>A8*2</b></p>	 <p>M6 Allen Key</p> <p><b>A10*1</b></p>	 <p>Leg</p> <p><b>A11*4</b></p>
 <p>Pull belt of chaise</p> <p><b>A12*2</b></p>	 <p>USB Charger</p> <p><b>A13*1</b></p>	 <p>M4*10mm Screws</p> <p><b>A15*4</b></p>	 <p>Broaching Wheel</p> <p><b>A16*2</b></p>
 <p>M4 Allen Key</p> <p><b>A17*1</b></p>	 <p>M5 Allen Key</p> <p><b>A18*1</b></p>		

# Installation Steps

Materials ▶

**A11** x4



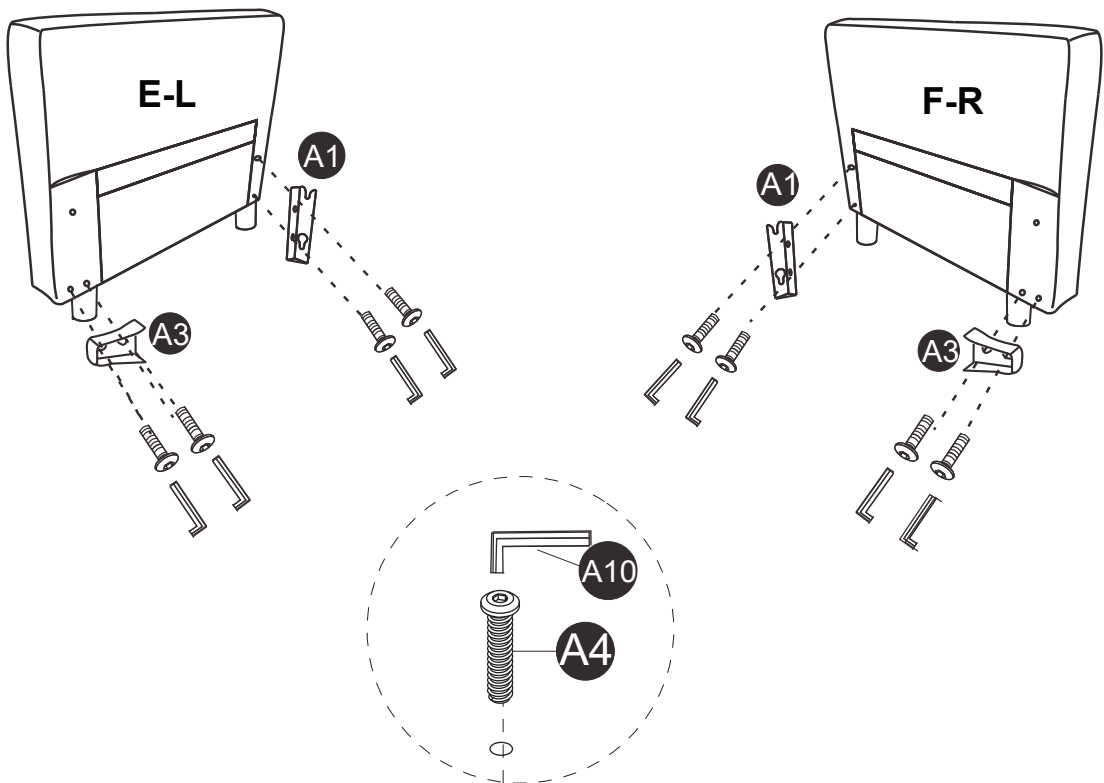
**STEP 1**

Install leg "A11" to the bottom of the left and right armrest

**A1** x2

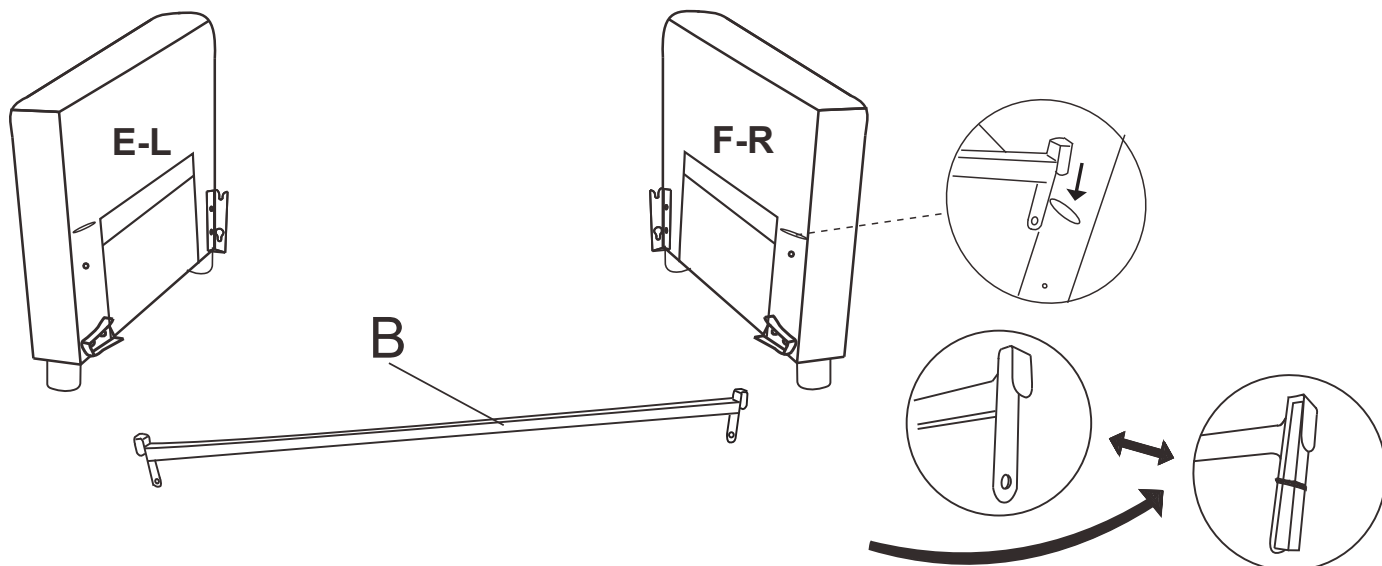
**A3** x2

**A4** x8



**STEP 2**

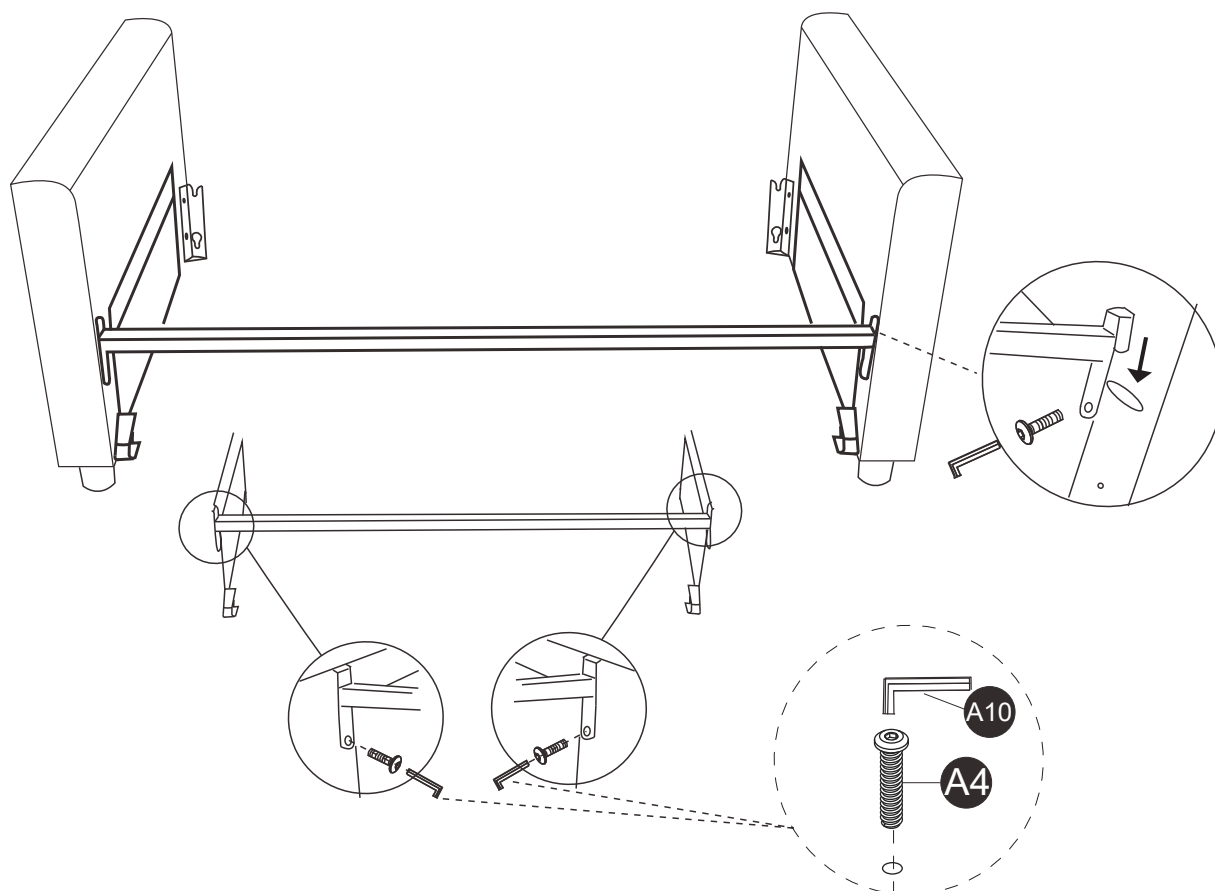
Please use the screw "A4" to install the connector "A1" and the "A3" to the armrest



**STEP 3**

**TIPS:**Remove the protective sheath at "B" and install it again.

**A4** x2



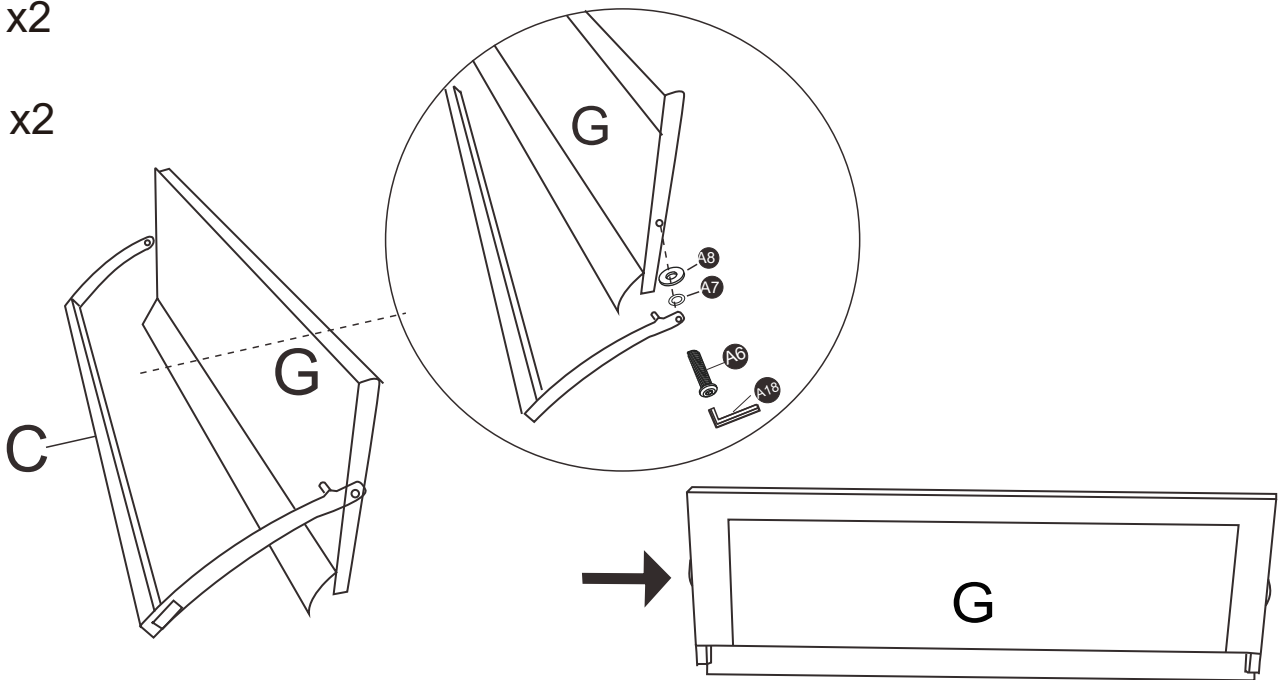
**STEP 4**

Please use screw "A4" to install the central rod connecting the armrests

**A6** x2

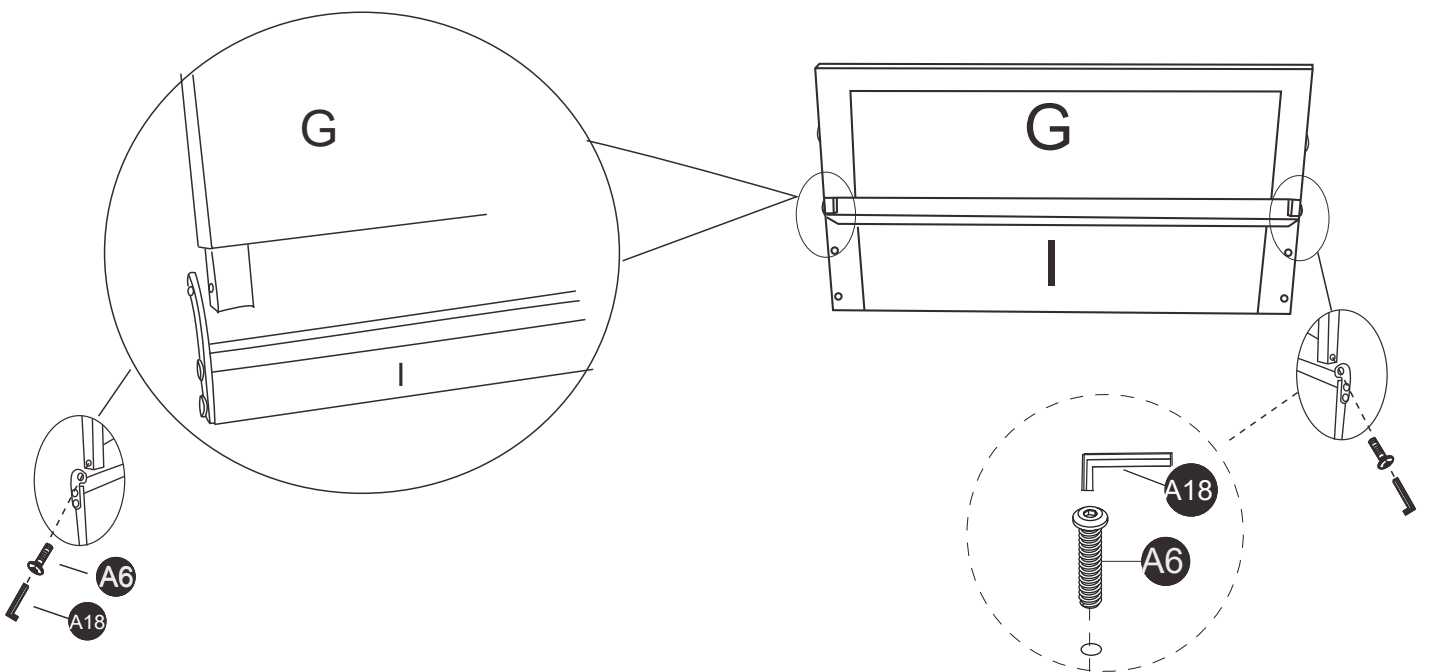
**A7** x2

**A8** x2



**STEP 5**

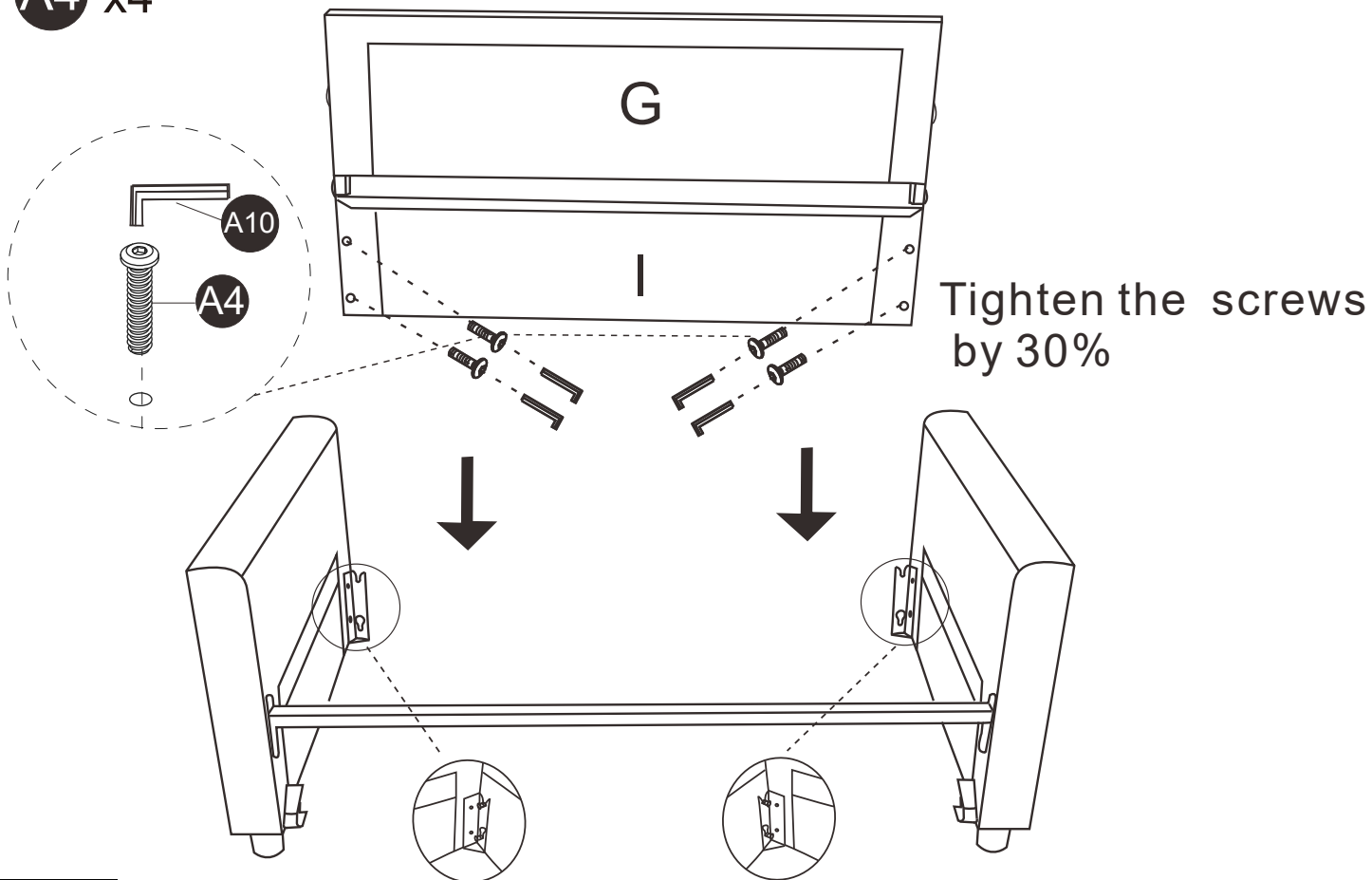
**A6** x2



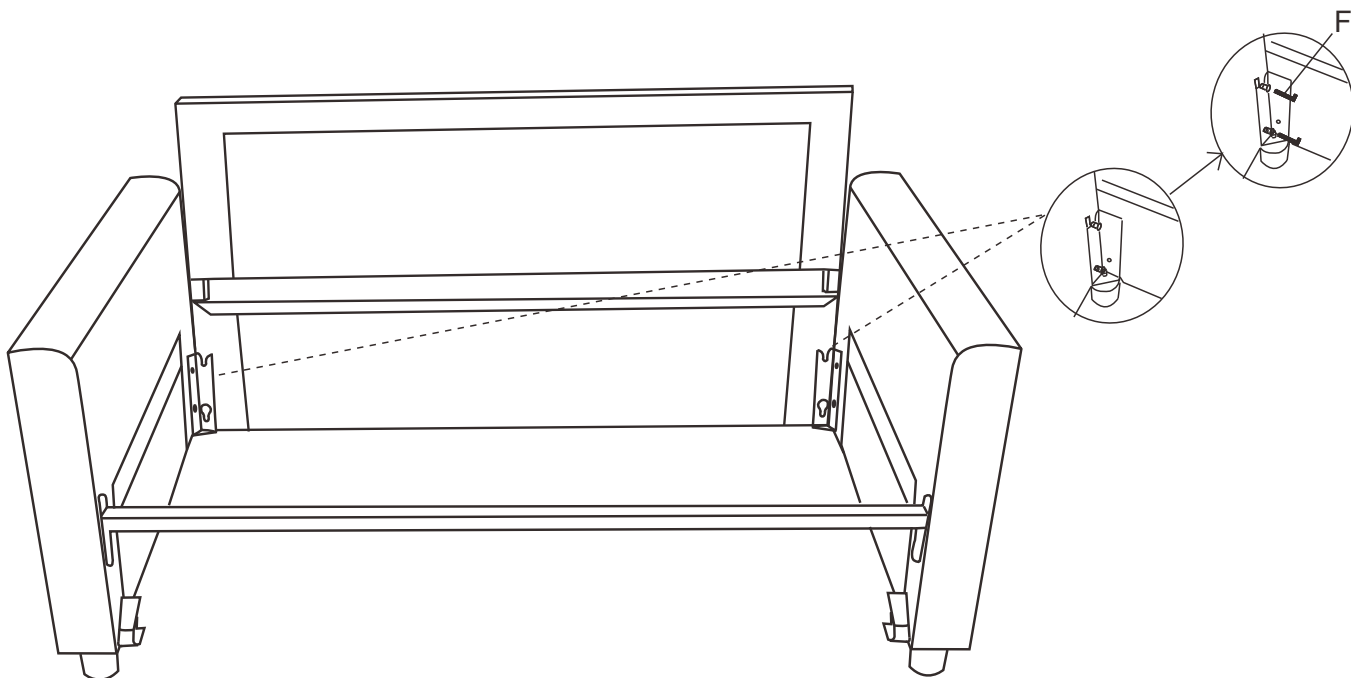
**STEP 6**

Please install the part "C" onto the back panel "G" as the picture shows

**A4** x4



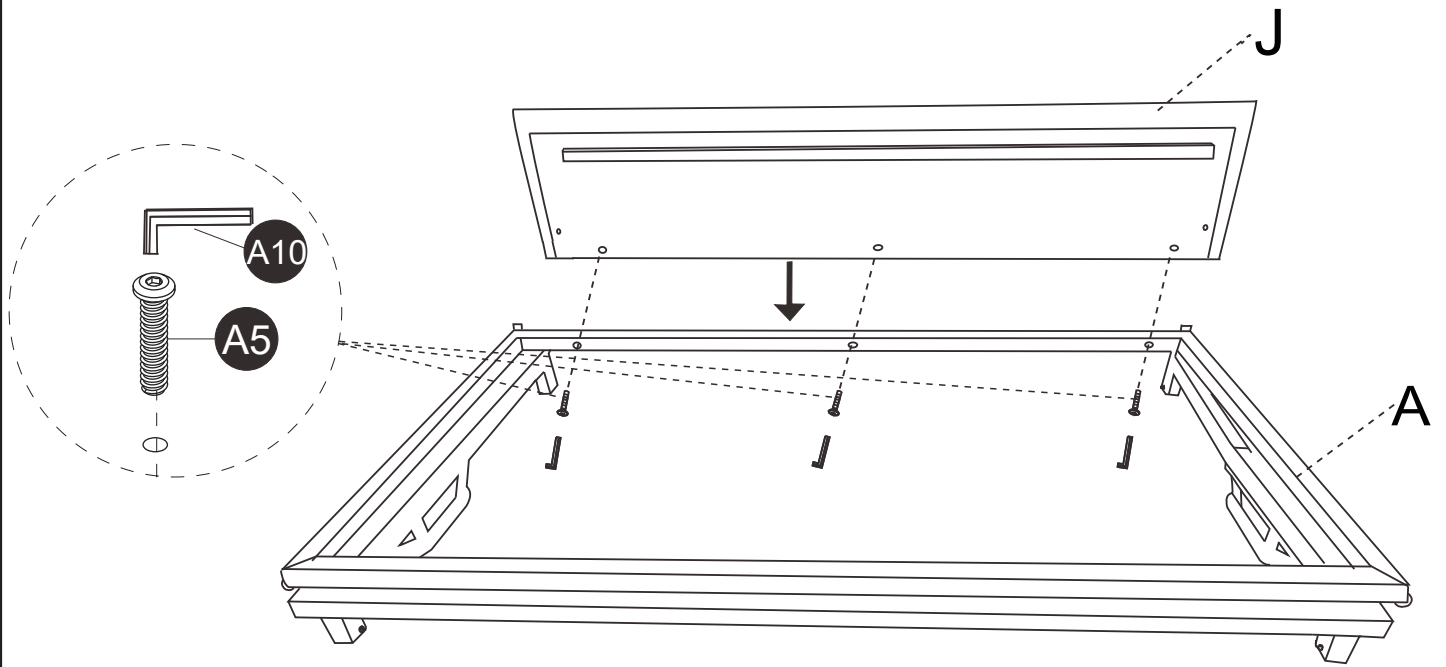
**STEP 7**



Turn the screws on the 2-seater backrest(S)**not too tight**; then put the back rest on to the connectmetal,**and tighten the screws at the end of.**

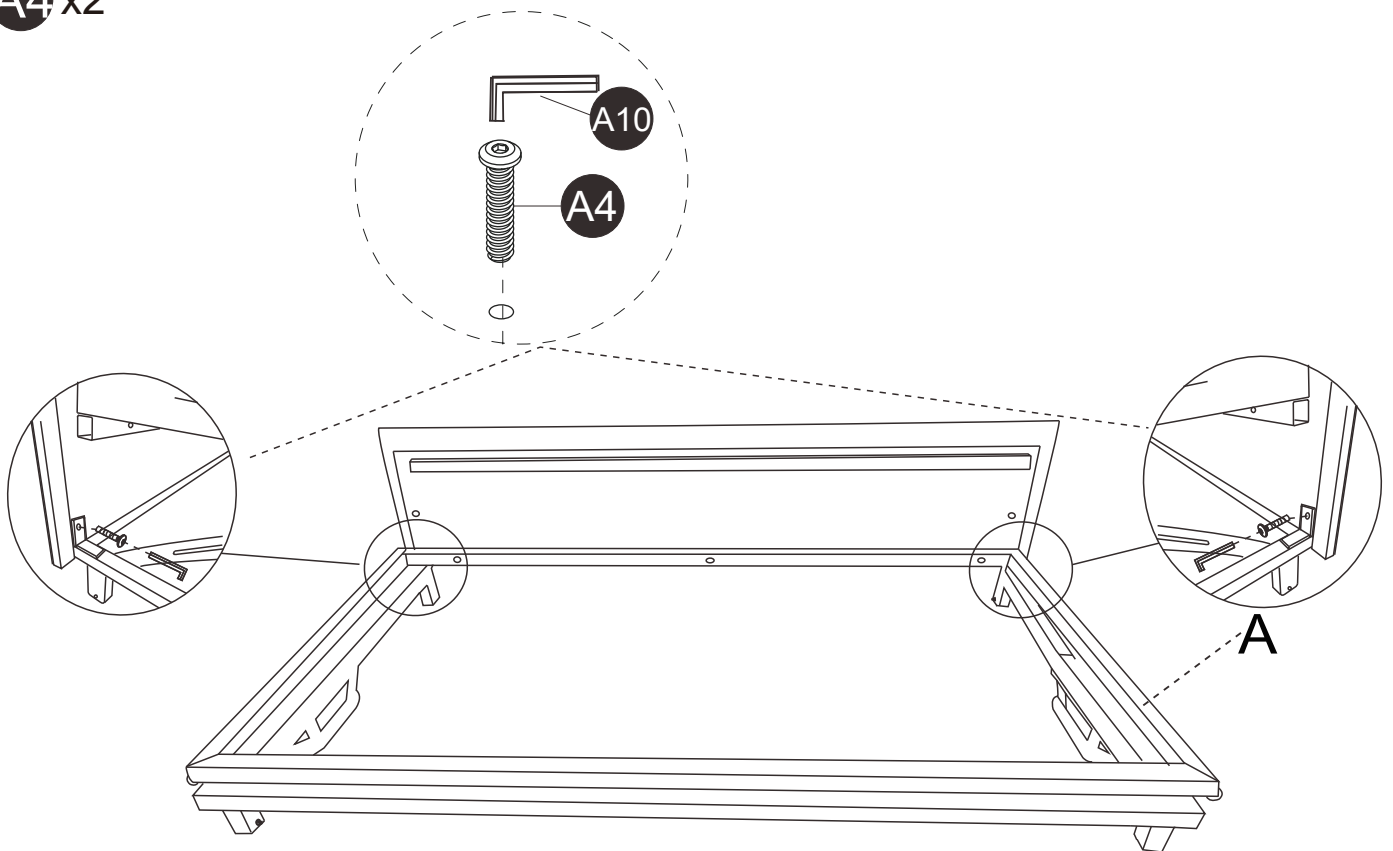
**STEP 8**

**A5** x3



**STEP 9**

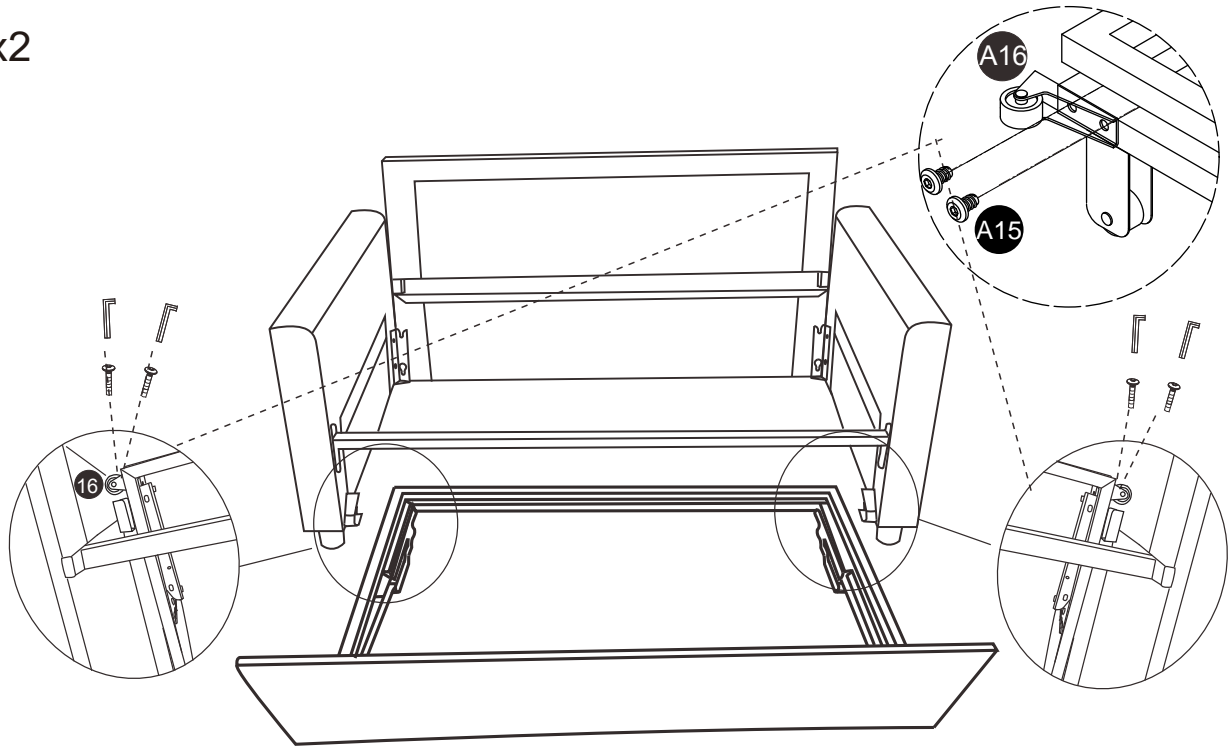
**A4** x2



Please install the pull-out bed front panel "J" onto the pull-out bed frame "A" as the picture shows

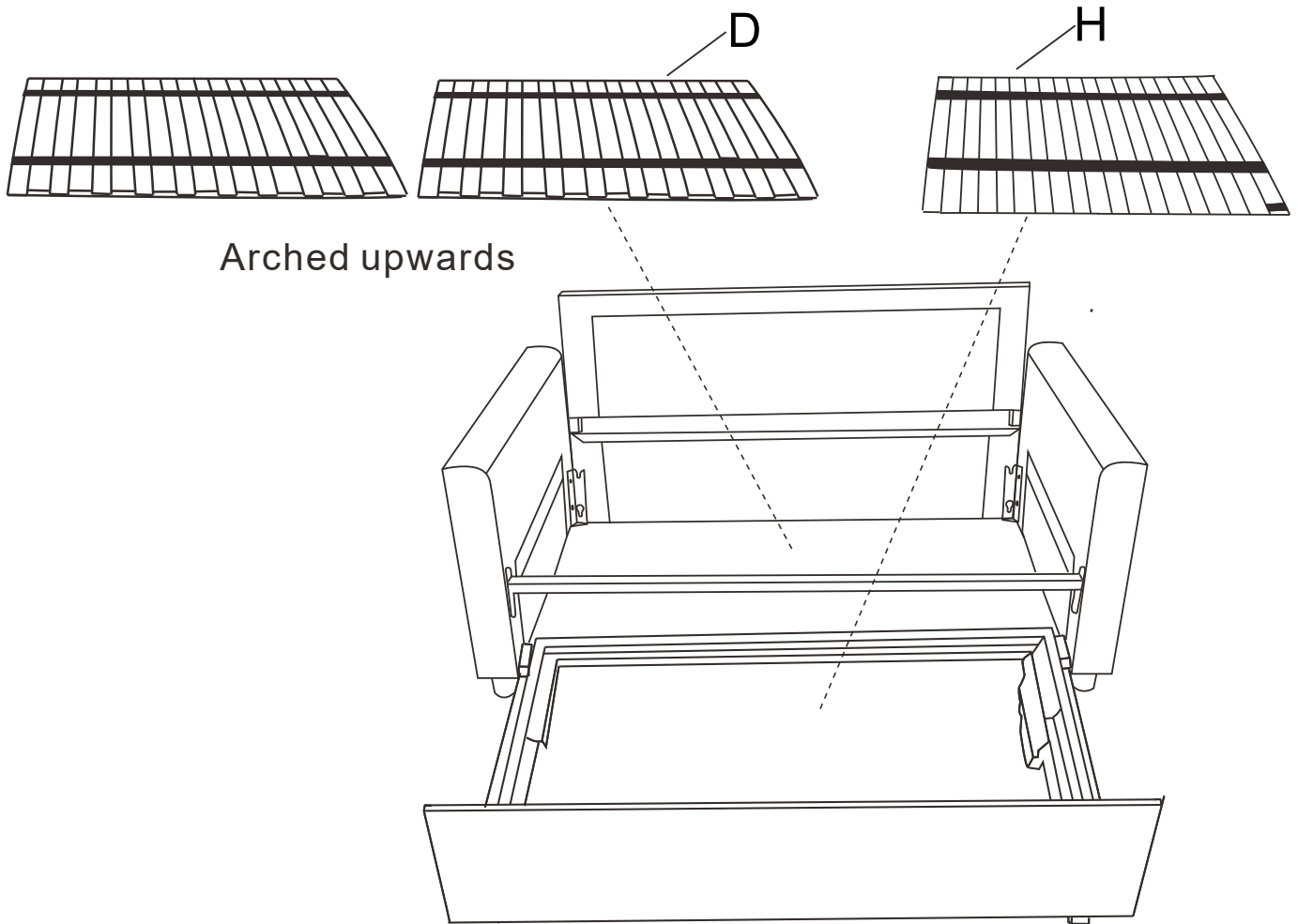
**STEP 10**

**A4** x2



Please ensure that the pulley on the bottom is securely fastened to the 3-part.  
You can test the pulley's functionality by pulling on the base.

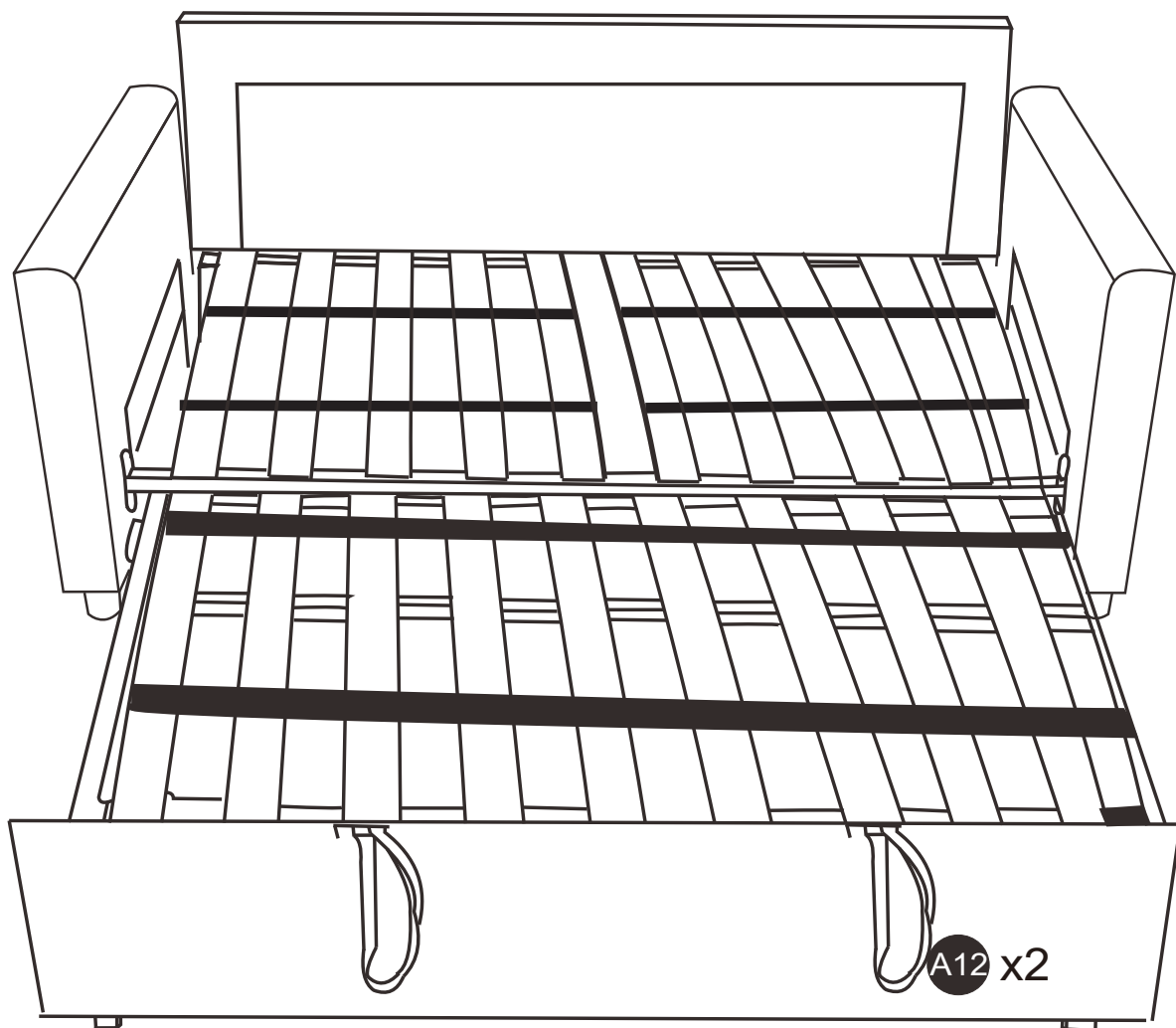
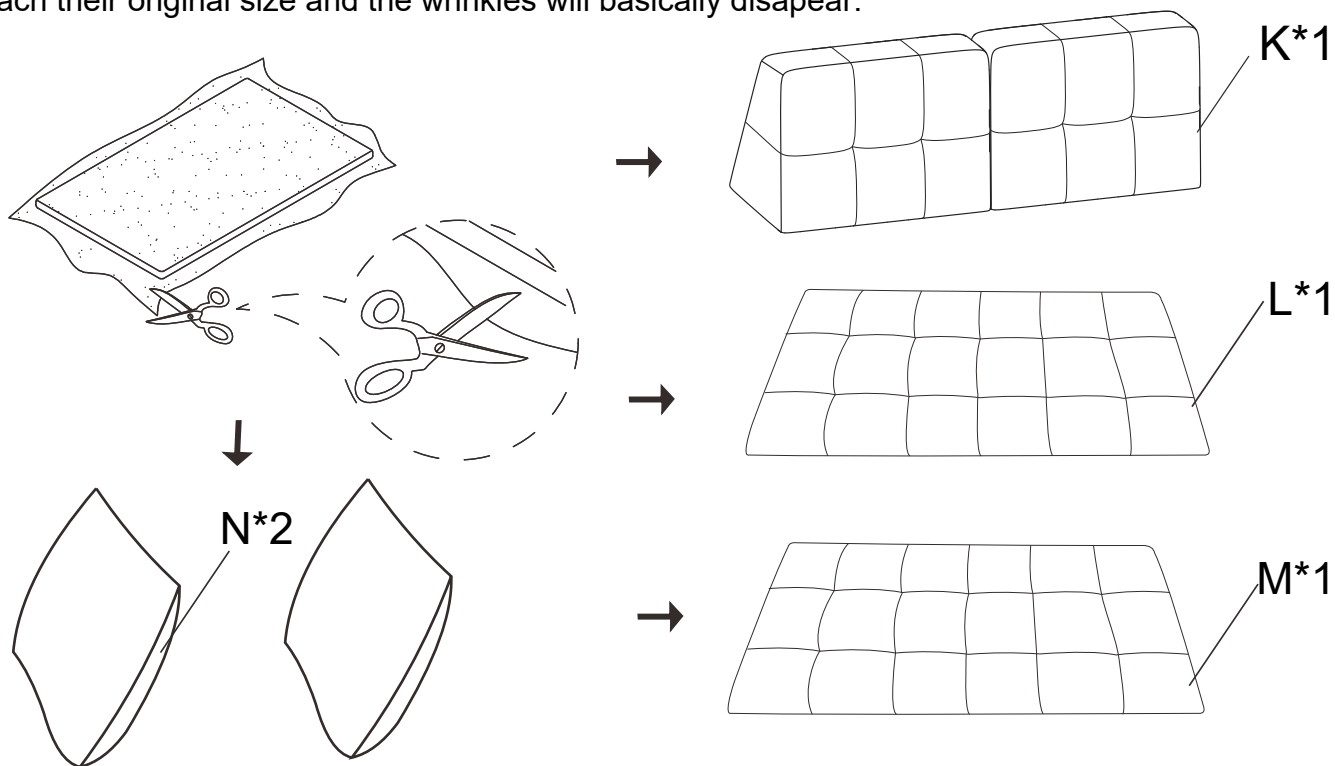
**STEP 9**



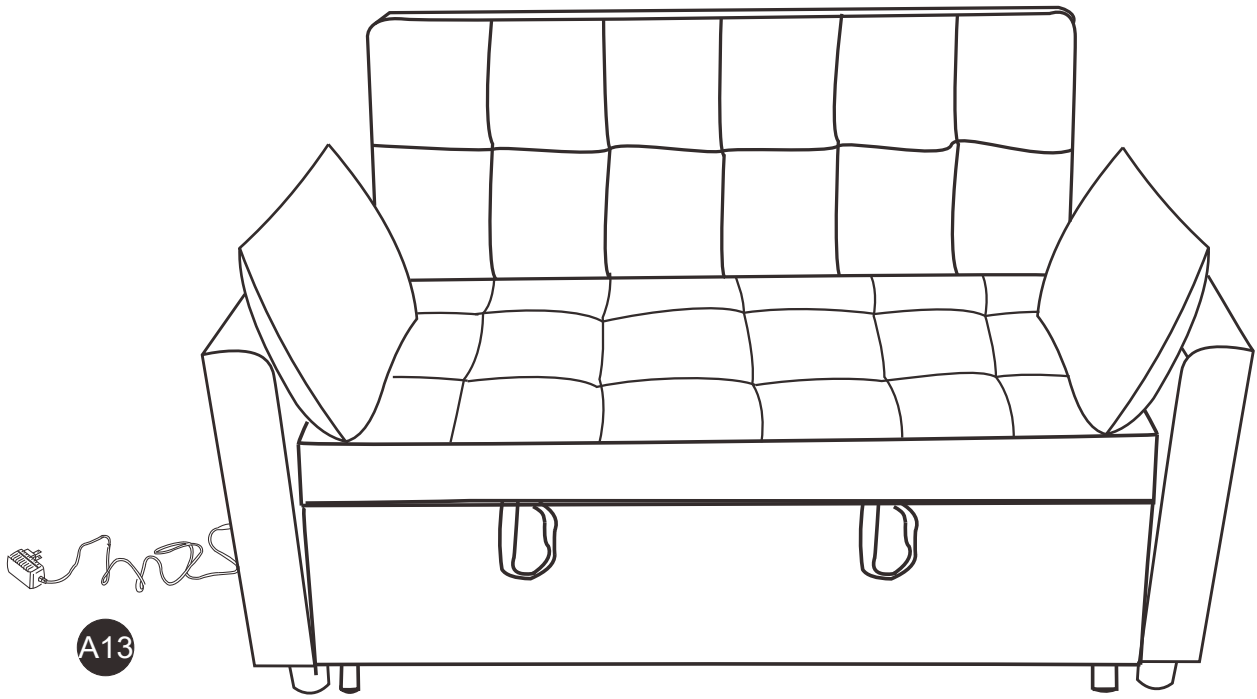
Arched upwards

**STEP 10**

Tips: As the cushions are all vacuum compressed for better shipment, there will be some wrinkles. Please give your cushions up to 72 hours to reach their original size and the wrinkles will basically disappear.

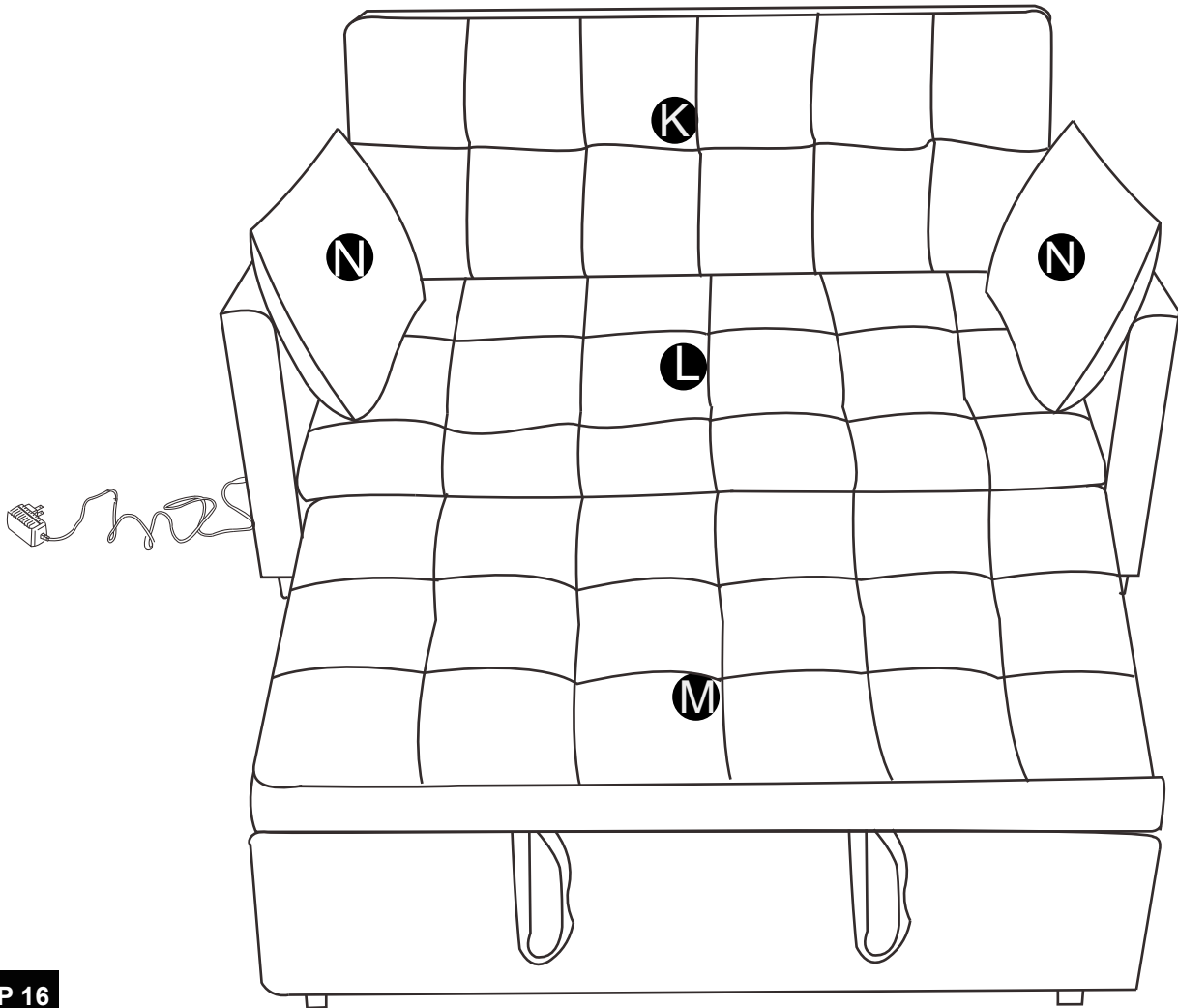


STEP 12



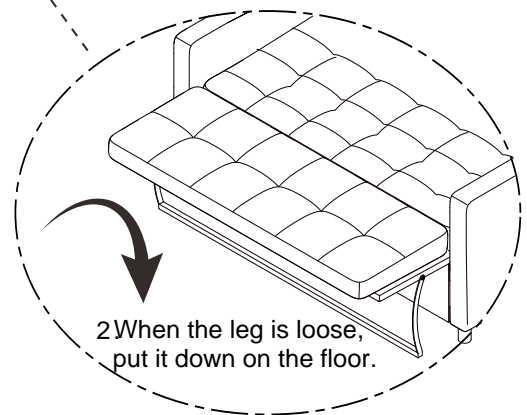
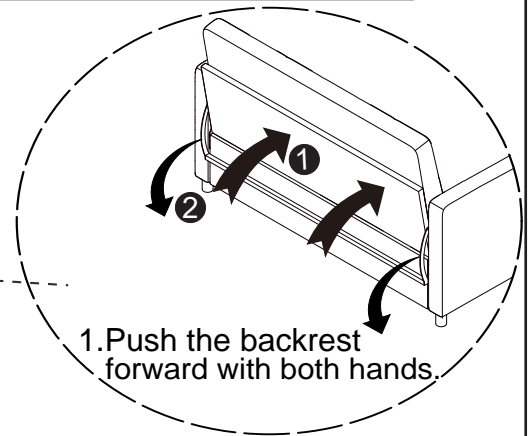
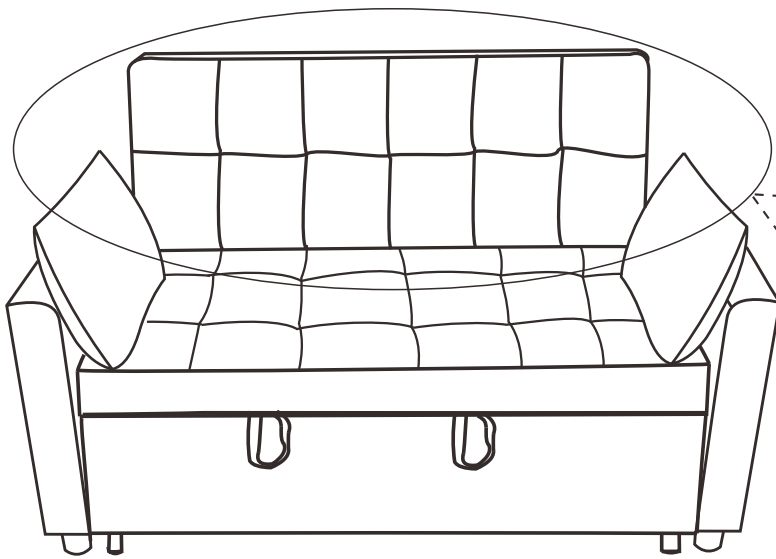
**STEP 15**

Connect the power supply of the USB charging ports



**STEP 16**

**Tip 1:** The sofa has a backrest adjustment function, which can be adjusted according to demand.



**Tip 2:** When using as a sofa bed, use the backrest cushion in reverse.

