












ASSEMBLY INSTRUCTION

Caution : You must read this before you proceed

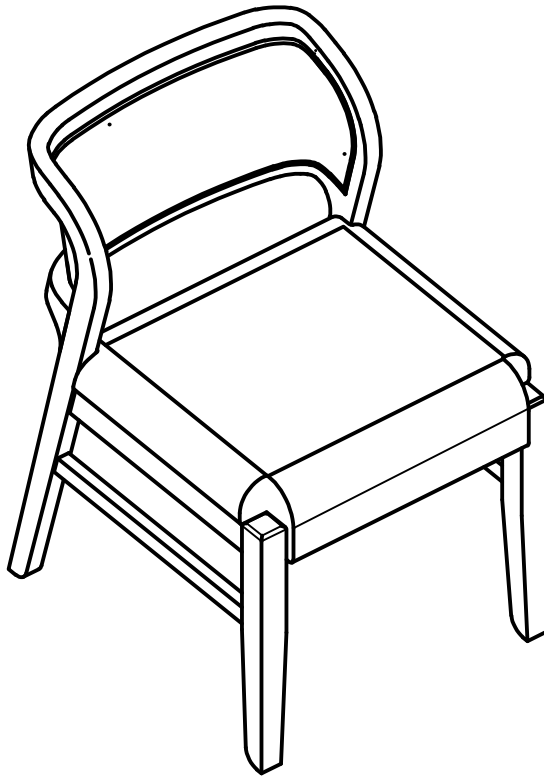
Care & Maintenance

- ⊘  • Not for commercial use. For residential use only.
- ✓  • Furniture may scratch floors. We recommend using furniture pads to protect your floors.
- ⊘  • Do not put hot items directly on furniture surface.
- ⊘  • Do not clean furniture with harsh cleansers or polish.
- ⊘  • Do not place furniture under direct sunlight.
- ⊘  • Do not place furniture near heating or cooling vents.
- ⊘  • Do not write on furniture without a padded barrier to protect the surface.
- ⊘  • Do not place furniture outside. For indoor use only.
- ⊘  • Stains may be removed with mild soap solution and damp cloth.
- ⊘  • Children should not climb or jump on the furniture.

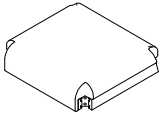
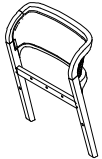
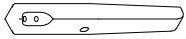
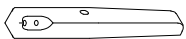

- ✓  • Dust and pick-up spills using a clean, non-colored, lint-free cloth.

Please look in carton for hardware packs and legs.
Sets often ship in multiple boxes and may arrive a day or two apart.



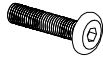





DINING CHAIR
N768P442078



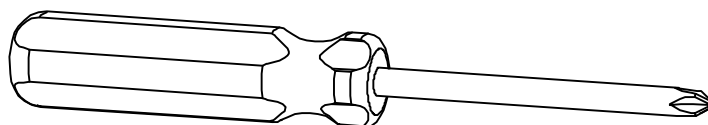
Parts List

Label	Picture	Description	QTY
A		Seat cushion frame	1
B		Back frame	1
C		Right leg	1
D		Left leg	1
E		Stretchers	2

HARDWARE LIST

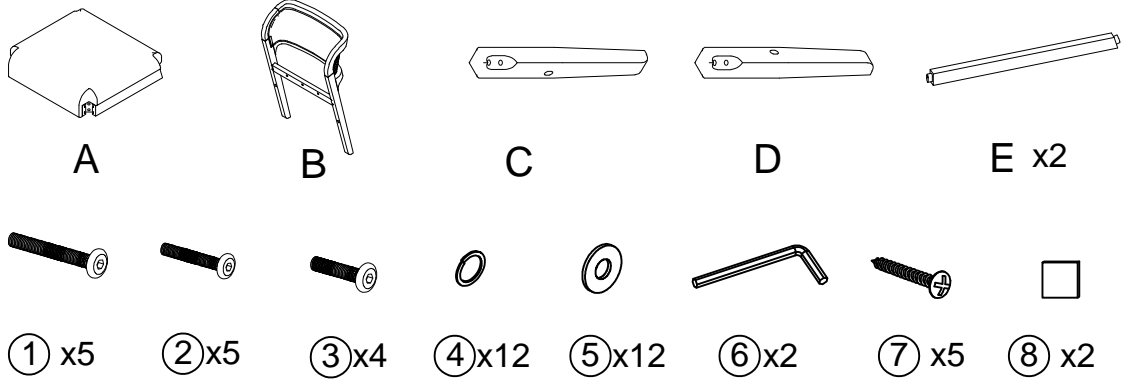
Label	Picture	Description	QTY
①		Bolt (Ø5/16x80mm)	4+1
②		Bolt (Ø5/16x60mm)	4+1
③		Bolt (Ø5/16x35mm)	3+1
④		Spring washer (12mm)	11+1
⑤		Flat washer (19 mm)	11+1
⑥		Allen wrench (M4)	1+1
⑦		Screw (4x45mm)	4+1
⑧		Felt pad	2

not included



Assembly preparation

Before beginning assembly:



- Read instructions, cover to cover-



- Have 2 adults on hand for assembly-



- Do not assemble on flooring or carpet-



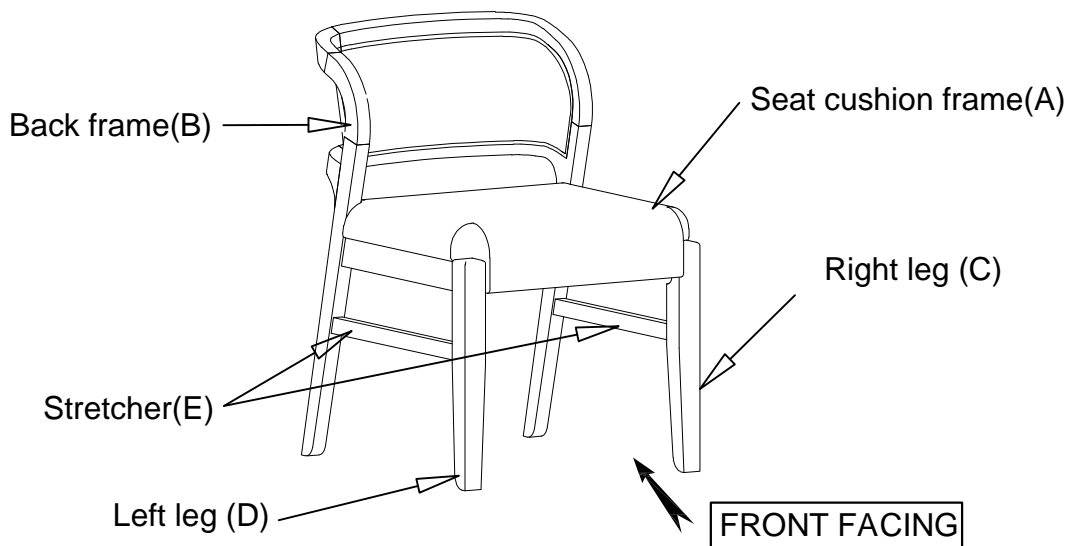
- Assemble on a clean non-marring surface (packing foam)-



- Save all packaging until finished-

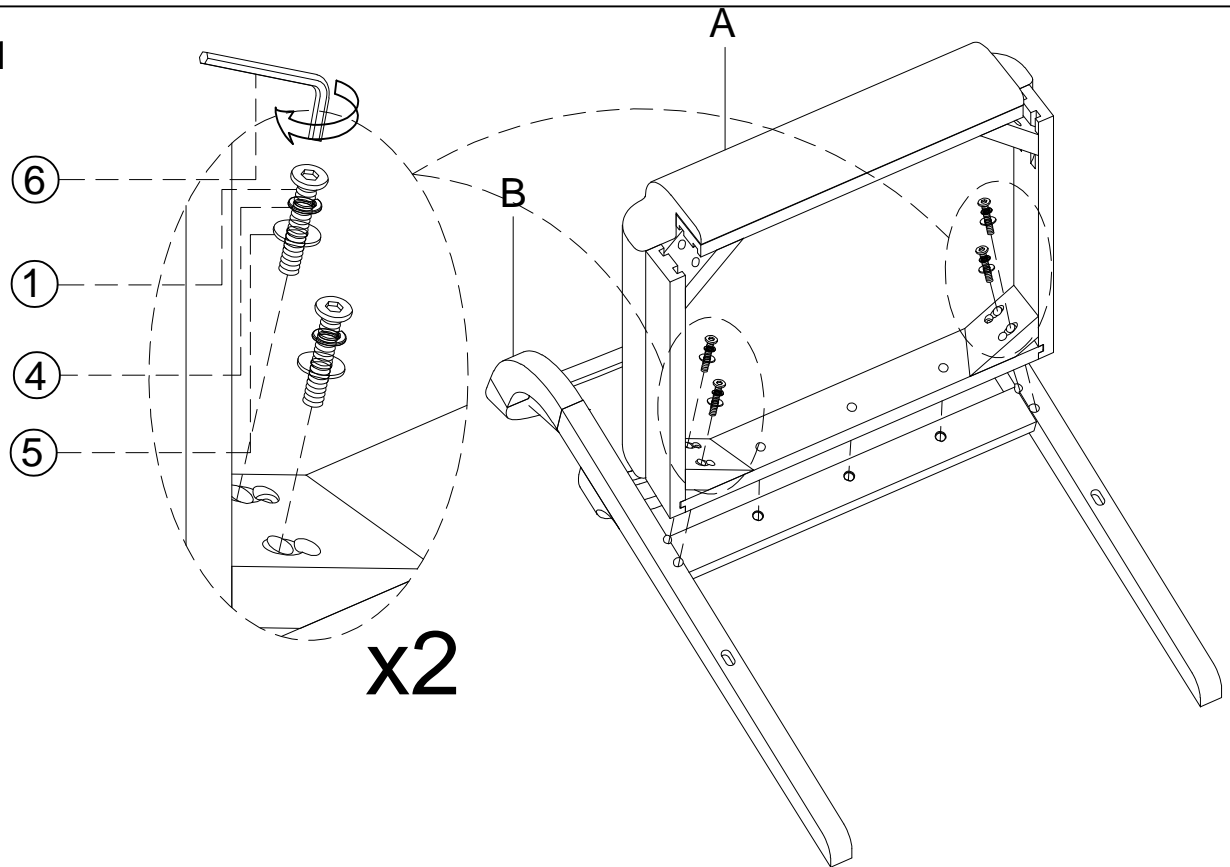
Assembly steps

Overview



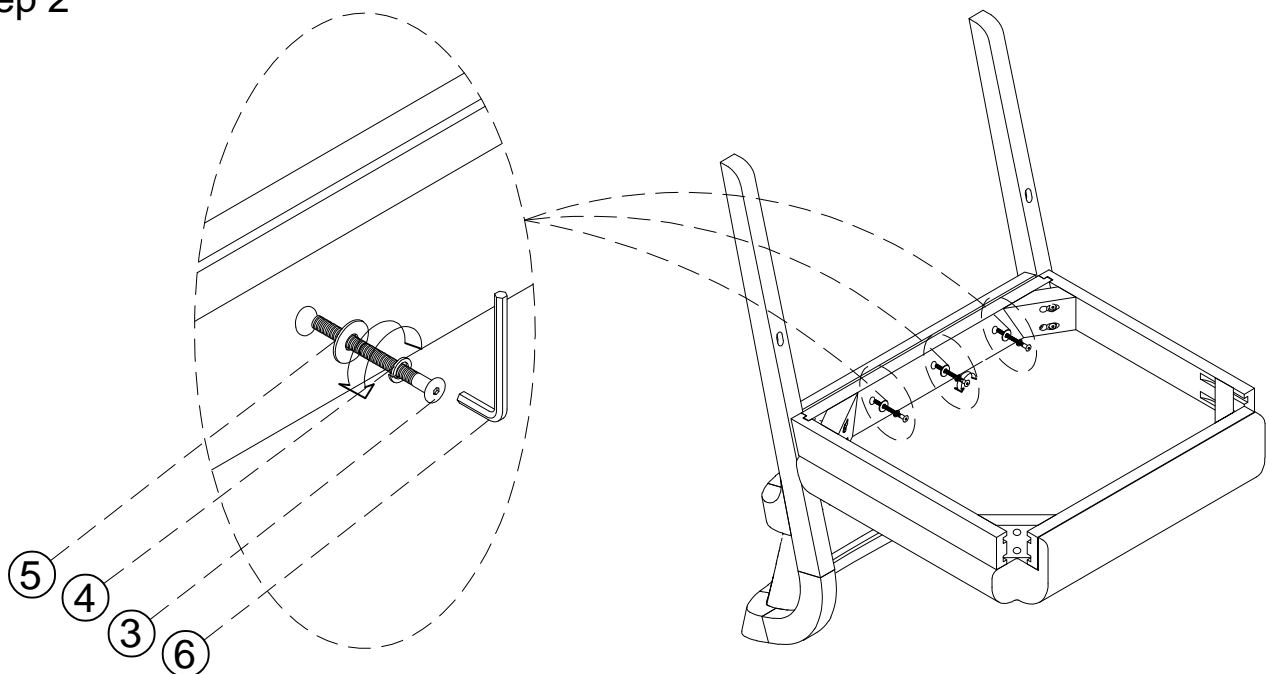
This chair has multiple parts and may require up to 30 minutes to assemble. To give you an overview of the chair parts, the above picture is provided to help you put the various parts into perspective. Please read through the instructions below to familiarize yourself with the parts and steps before assembly.

Step 1



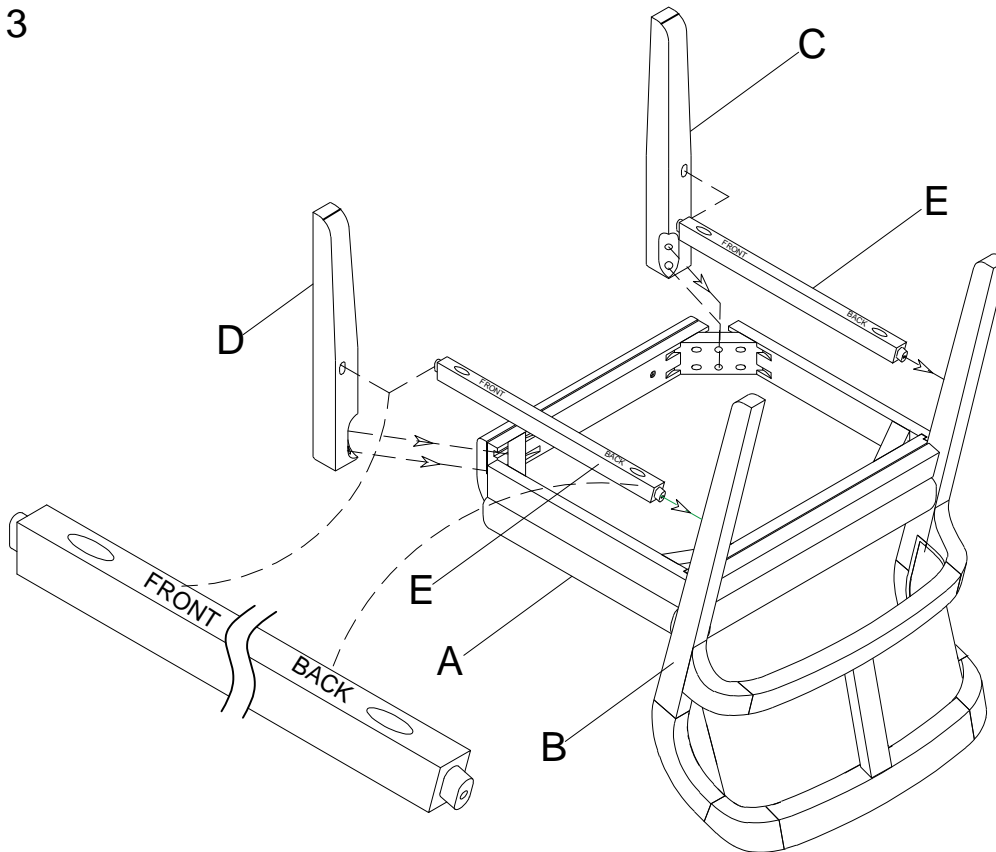
Attach seat cushion A into back frame B. Use bolt ① ,spring washer④ , flat washer ⑤ and allen key ⑥. Do not full tighten

Step 2



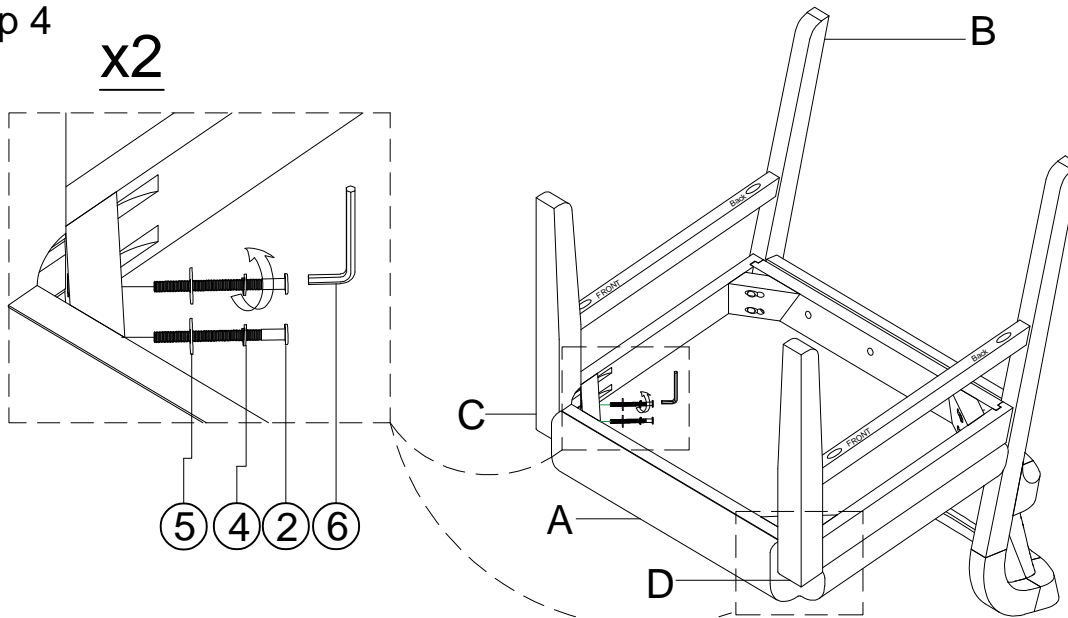
Attach seat cushion A into back frame B. Use bolt ③ ,spring washer④ , flat washer ⑤ and allen key ⑥. Do not full tighten

Step 3



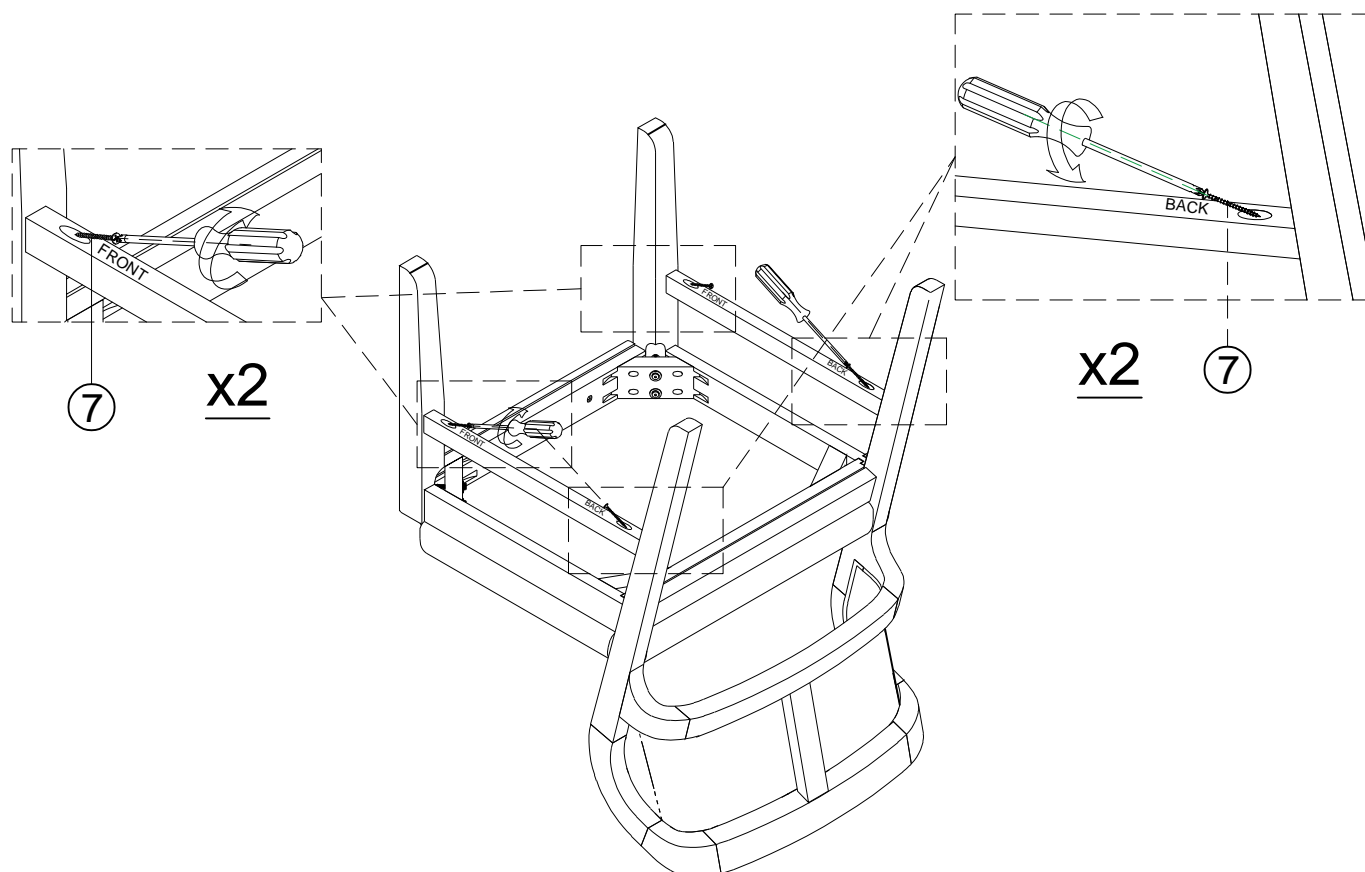
Attach the stretcher- E to the rear leg assembly-B, then attach the left and right legs to the seat cushion frame

Step 4



Attach right leg C and left leg D into seat cushion frame A. Use bolt ② , spring washer ④ , flat washer ⑤ and allen key ⑥ . Do not full tighten

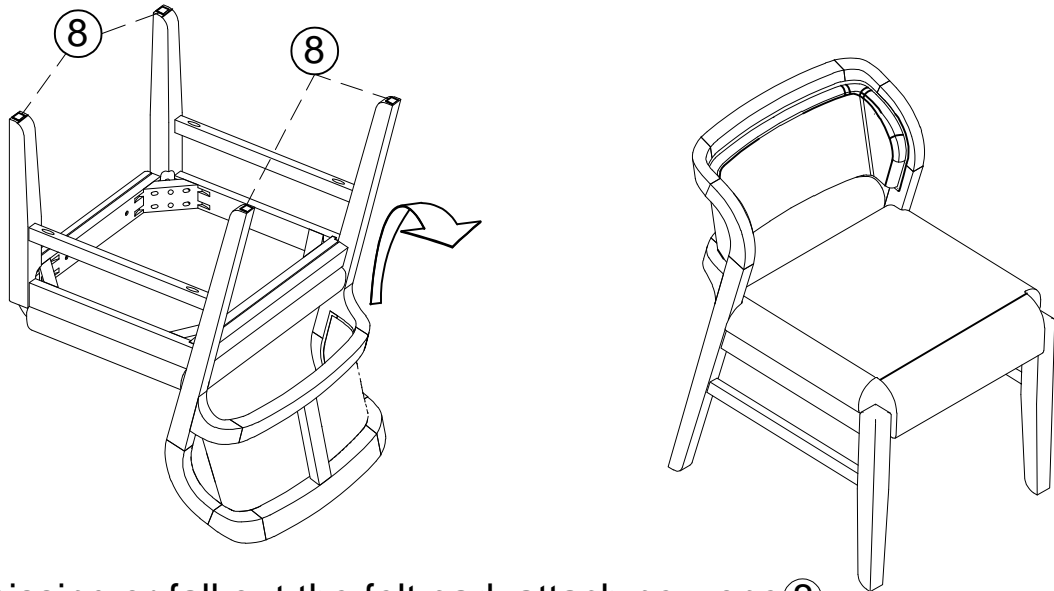
Step 5



Use screws ⑦ to fit into the precisely drilled holes and tighten all the fittings

AUTION : When tightening these screws, tighten sequentially.
DO NOT tighten any screw fully and then towards the next one.
This would cause the frame to warp.
If there is still wobbles, loosen the screws and execute this same process.
WARNING!! IF IT IS NOT STABLE , IT COULD LEAD TO DAMAGING THE PRODUCT

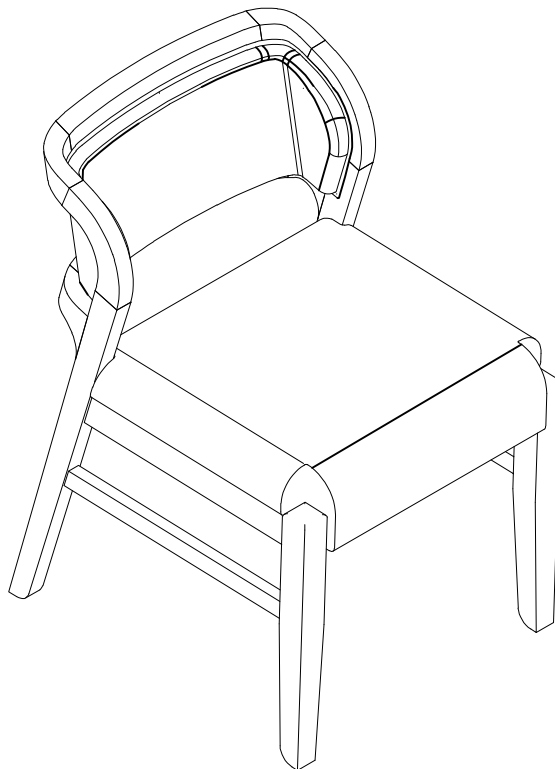
Step 6



Note: If missing or fall out the felt pad, attach new one ⑧.

After checking the chair, If no problem, pls tighten all the bolts.
Stand the chair up .
Place the chair on a LEVEL SURFACE to check for wobbles .

Step 7



Your chair is ready for use .
This chair can only be used on a flat, level surface.