

TV STANDS

USER MANUAL

WARNING

-Assembly: Adult assembly required.

CHOKING HAZARD: Small screws and parts can pose a choking risk. Keep them away from children under 3 years old.

-Packaging: Keep these packaging materials out of reach of children.

-Inspection: check the product for wear and tear, and any part is damaged, missing, or has loose screws. Check all fasteners regularly.

-Weight Limit: 300 lbs.

-Safety: Keep away from heat sources.

-Storage: Do not leave outdoors or near wet surroundings.

Maintenance and Preservation

Warranty

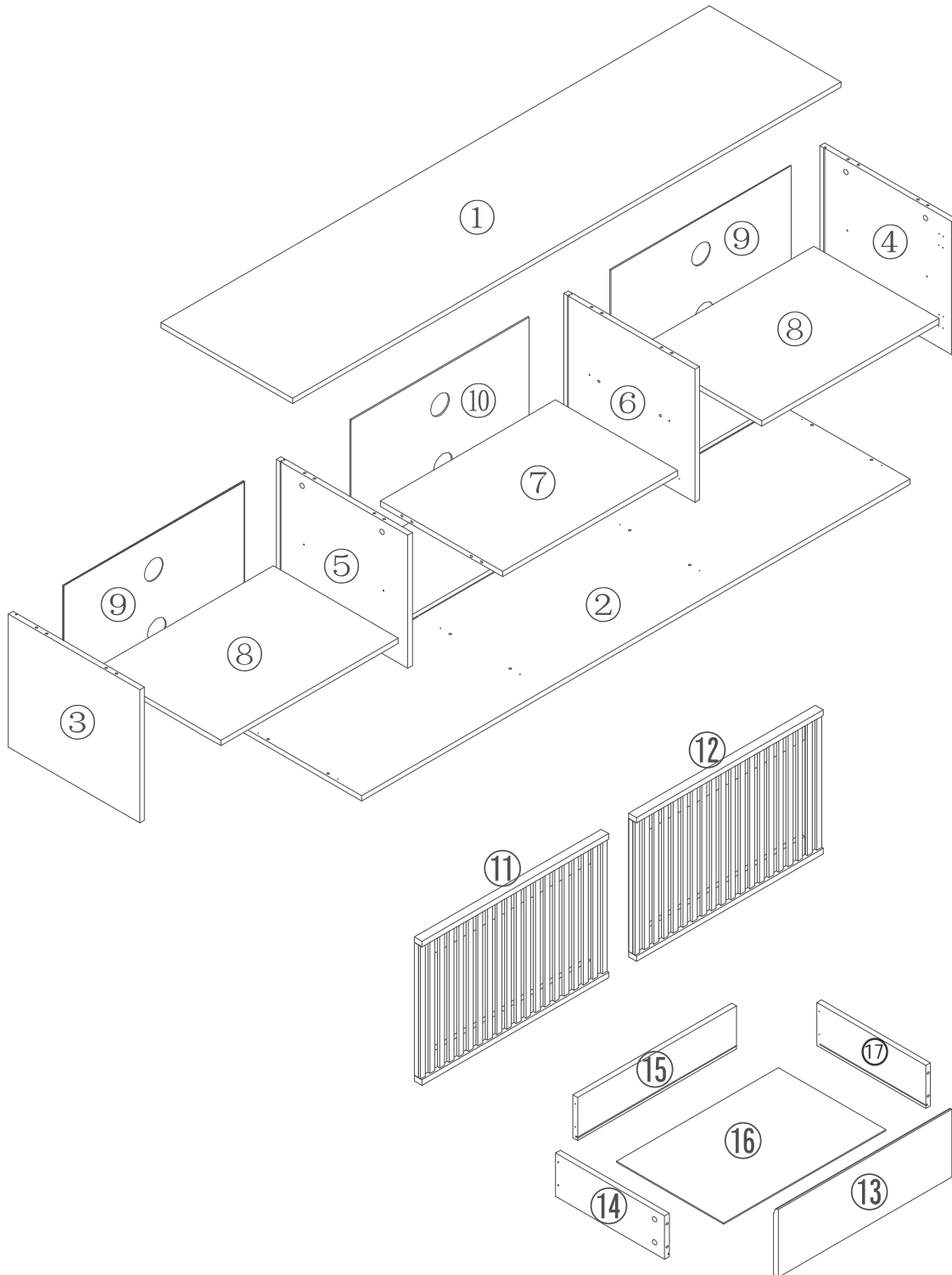
wood furniture are generally more durable than plastic ones, but they can sometimes break. While wood furniture can last many years with proper care, products are not guaranteed against damage due to play and use.

Please read this manual carefully before using.

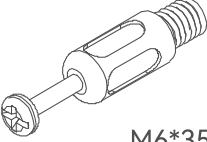
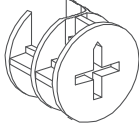
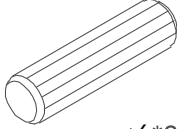
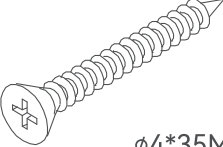
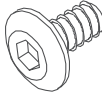
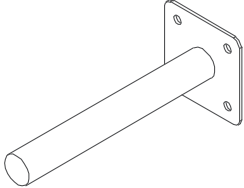
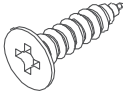
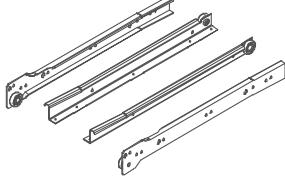
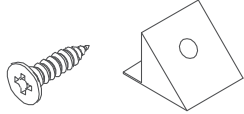
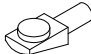


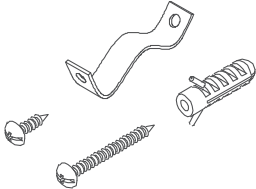
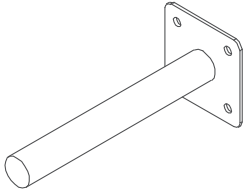

Comfortable experience
Bringing aesthetics to life

2

ASSEMBLY INSTRUCTIONS

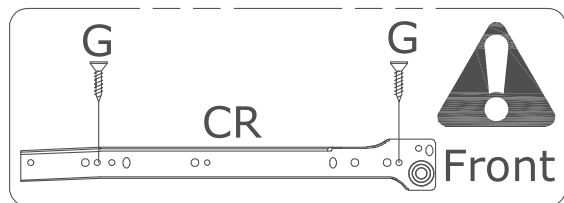
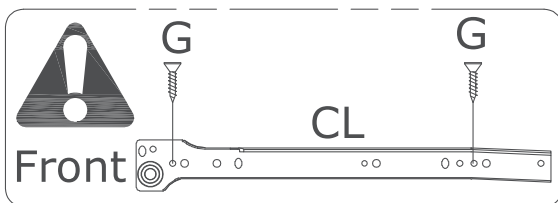
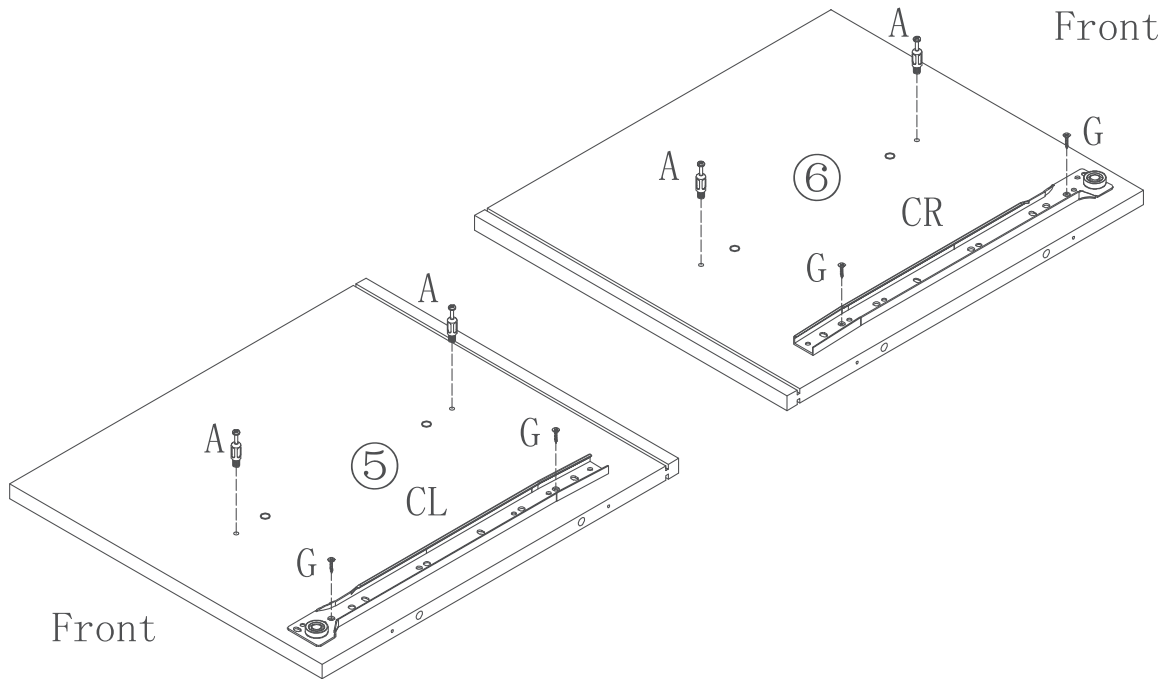
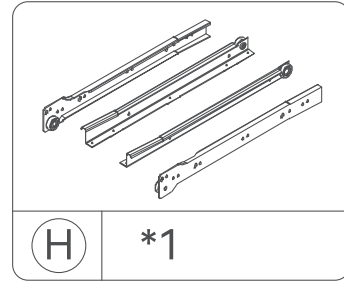
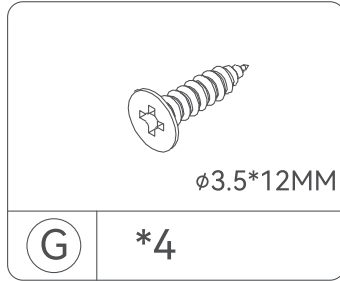
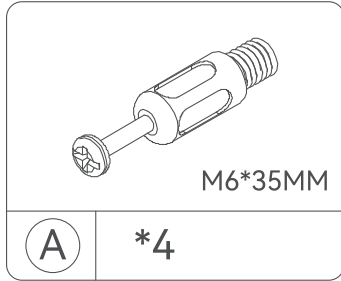


PACKAGING LIST

 M6*35MM (A) *16	 ø15*12MM (B) *16	 ø6*30MM (C) *20
 ø4*35MM (D) *12	 M6*12MM (E) *20	 (F) *4
 ø3.5*12MM (G) *32	 (H) *1	 (I) *12
 (J) *8	 (K) *1	 (L) *4
 (M) *2	 (N) *1	 (P) *2

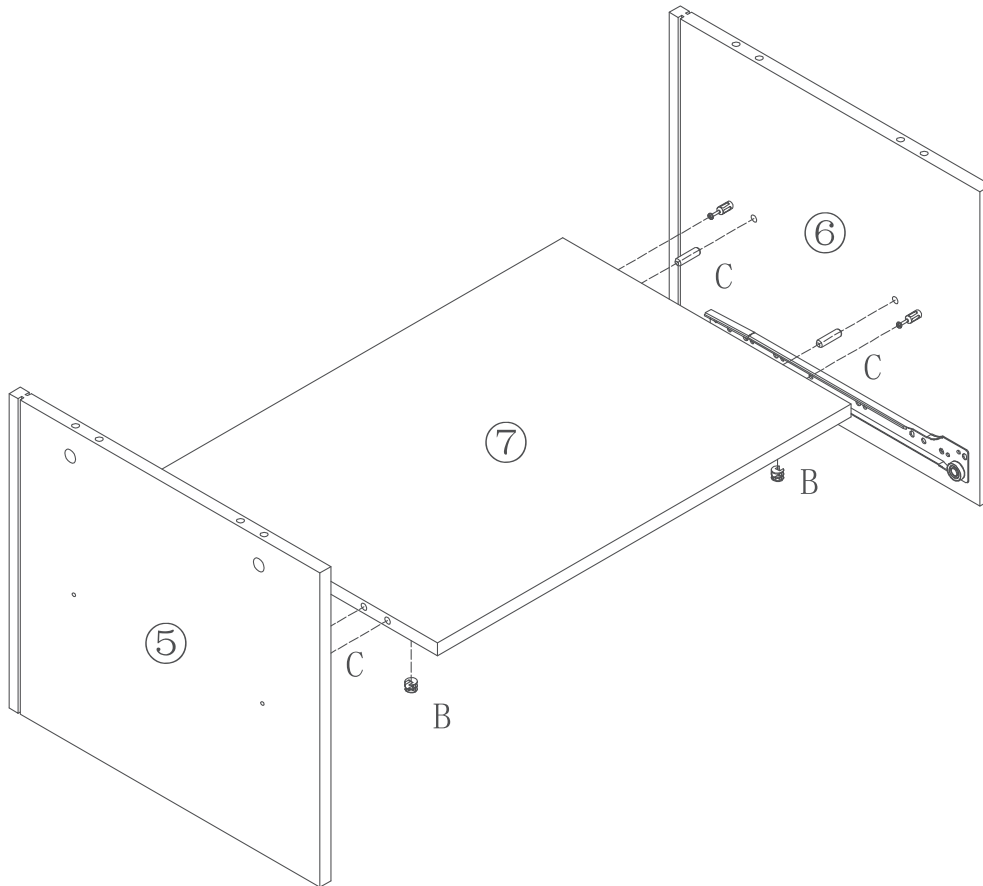
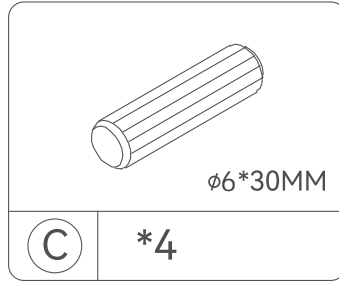
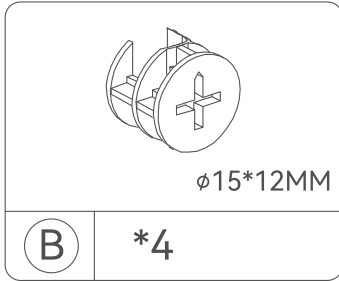
4

STEP 1



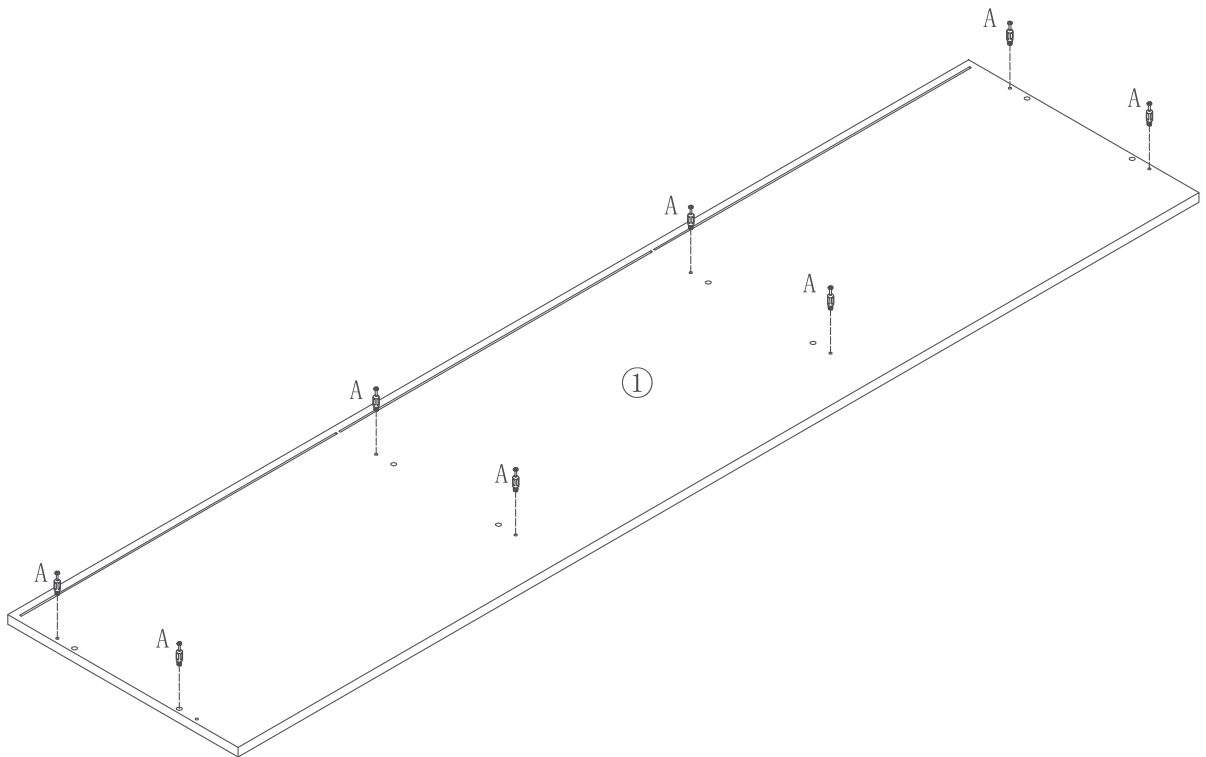
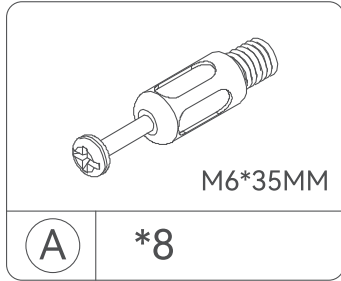
5

STEP 2



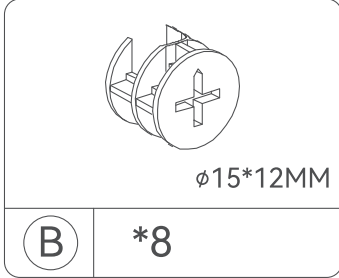
6

STEP 3

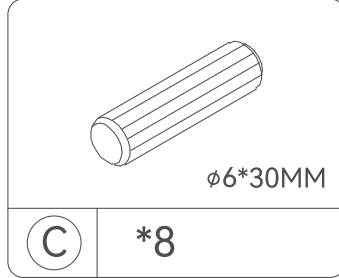


7

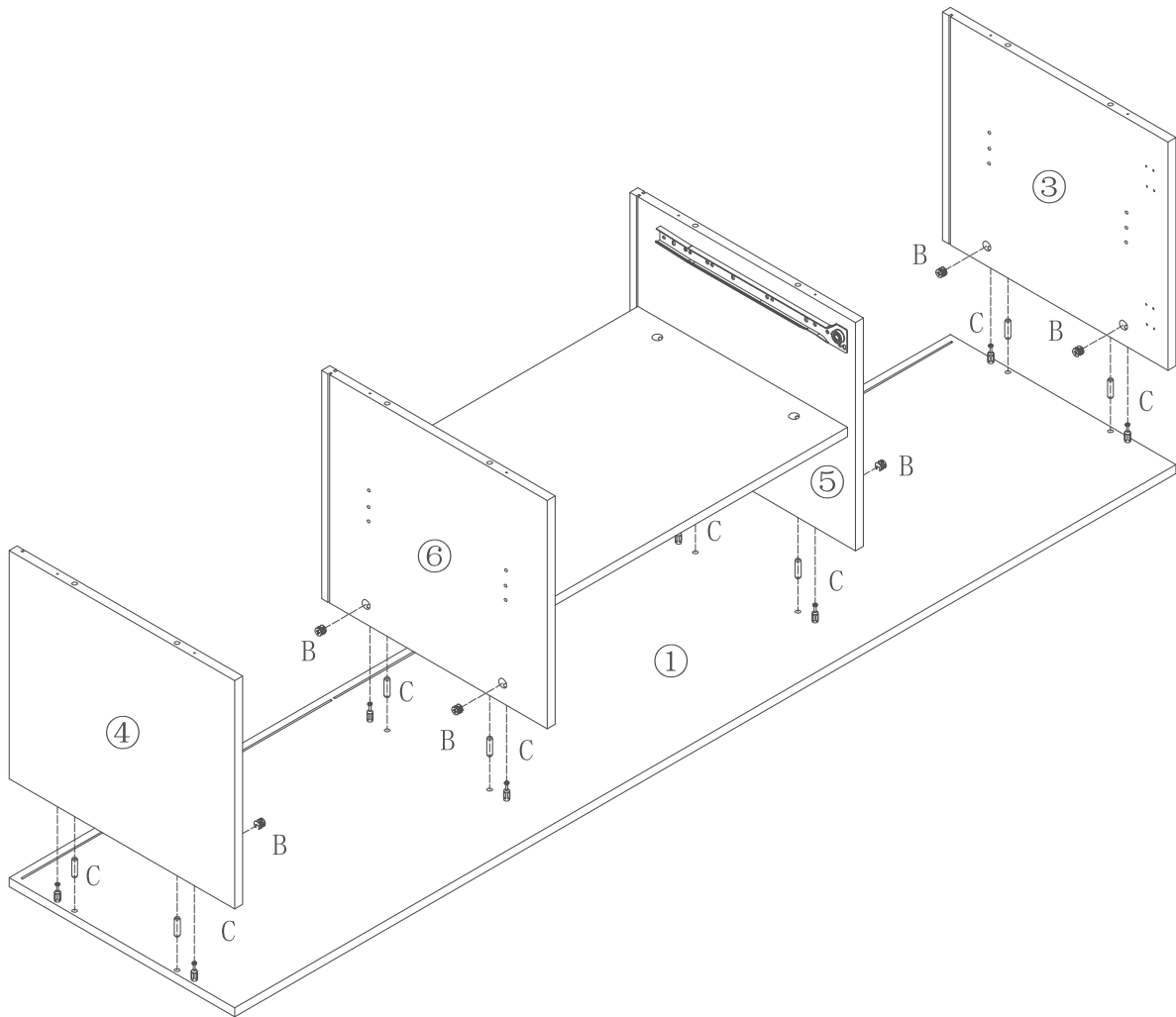
STEP 4



(B) *8

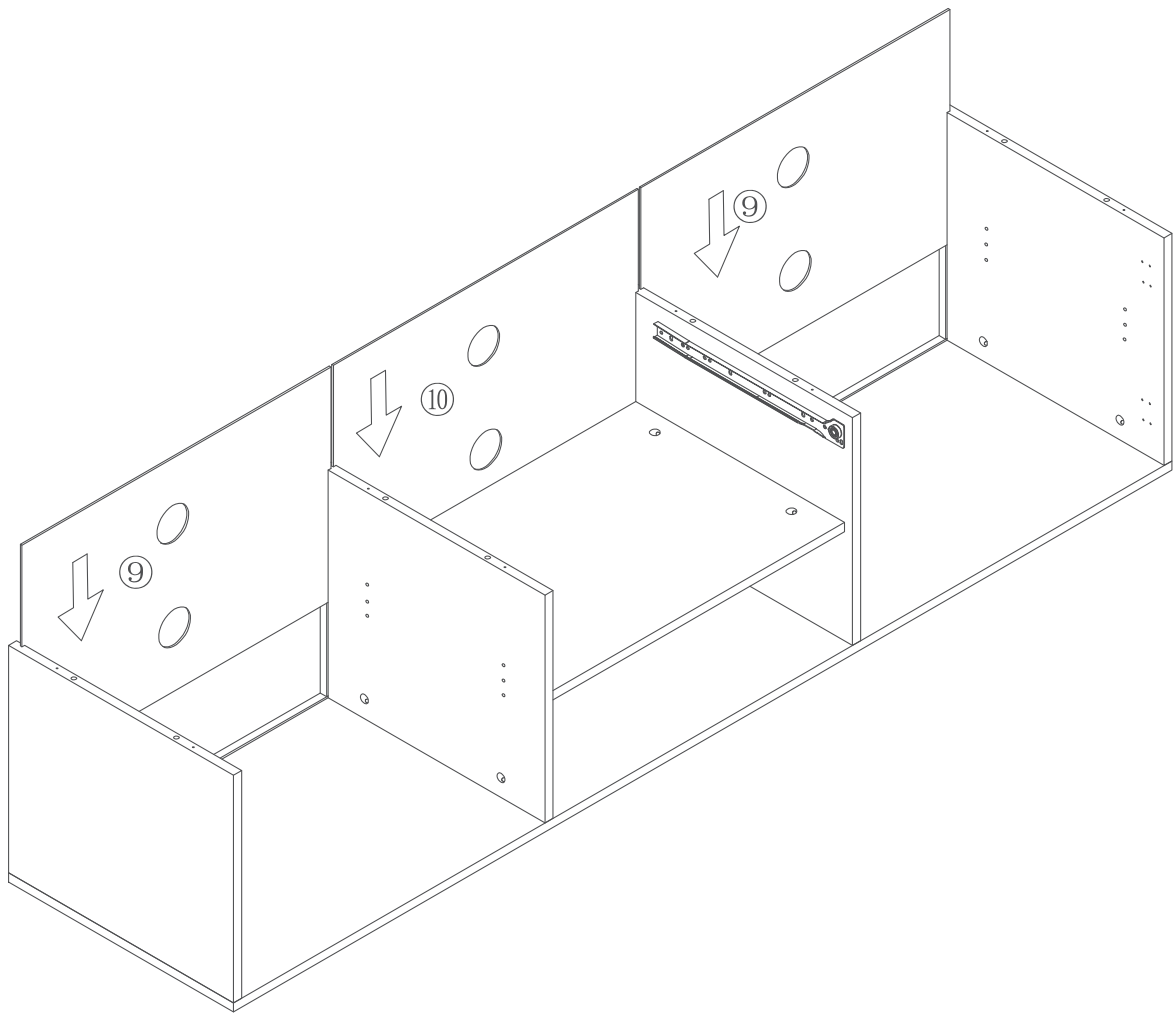


(C) *8



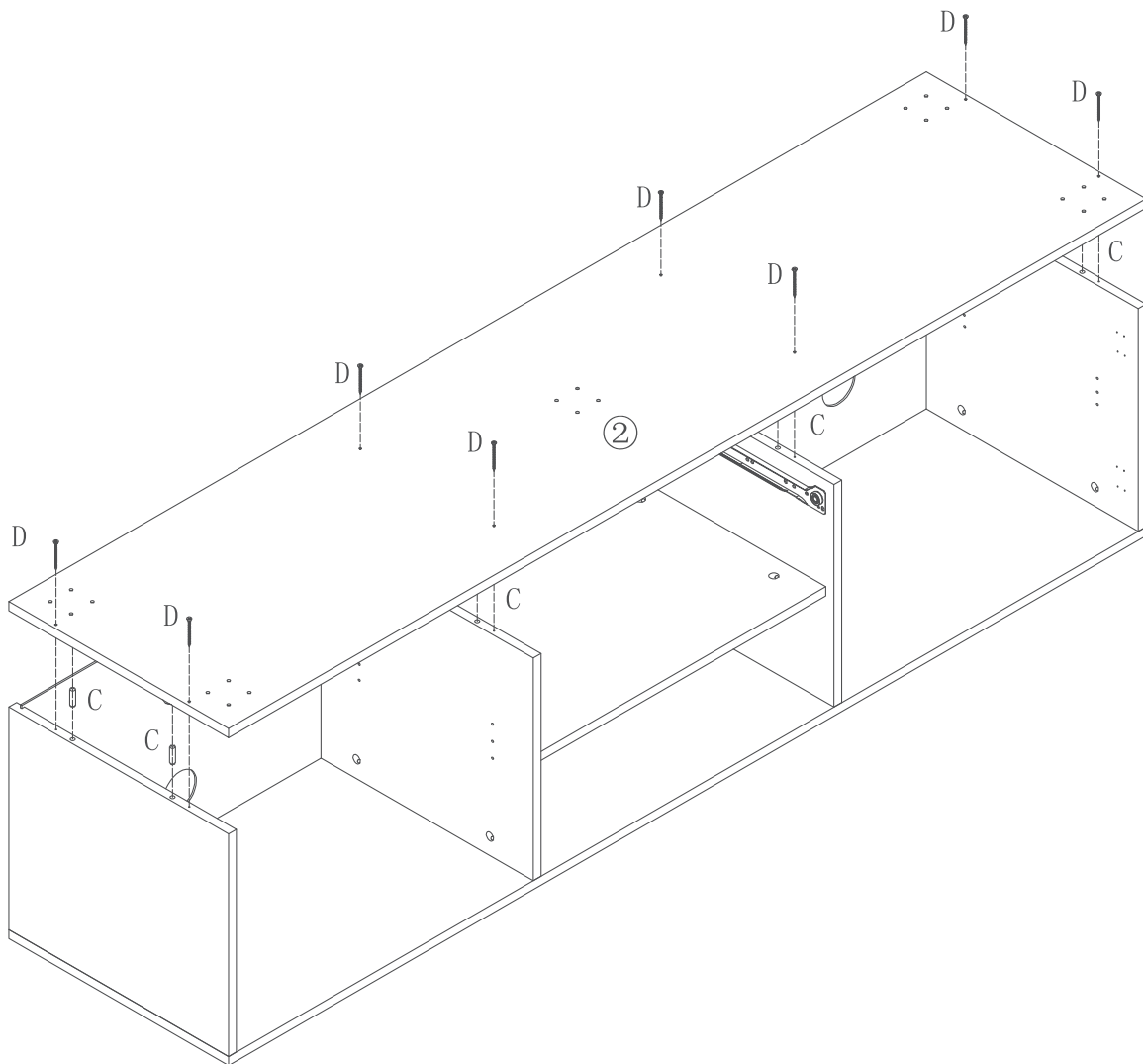
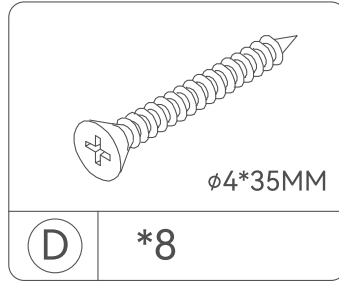
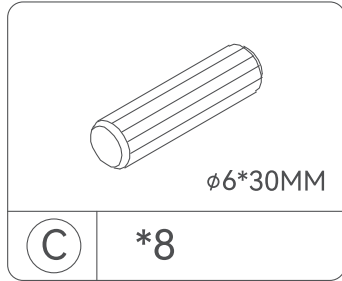
8

STEP 5



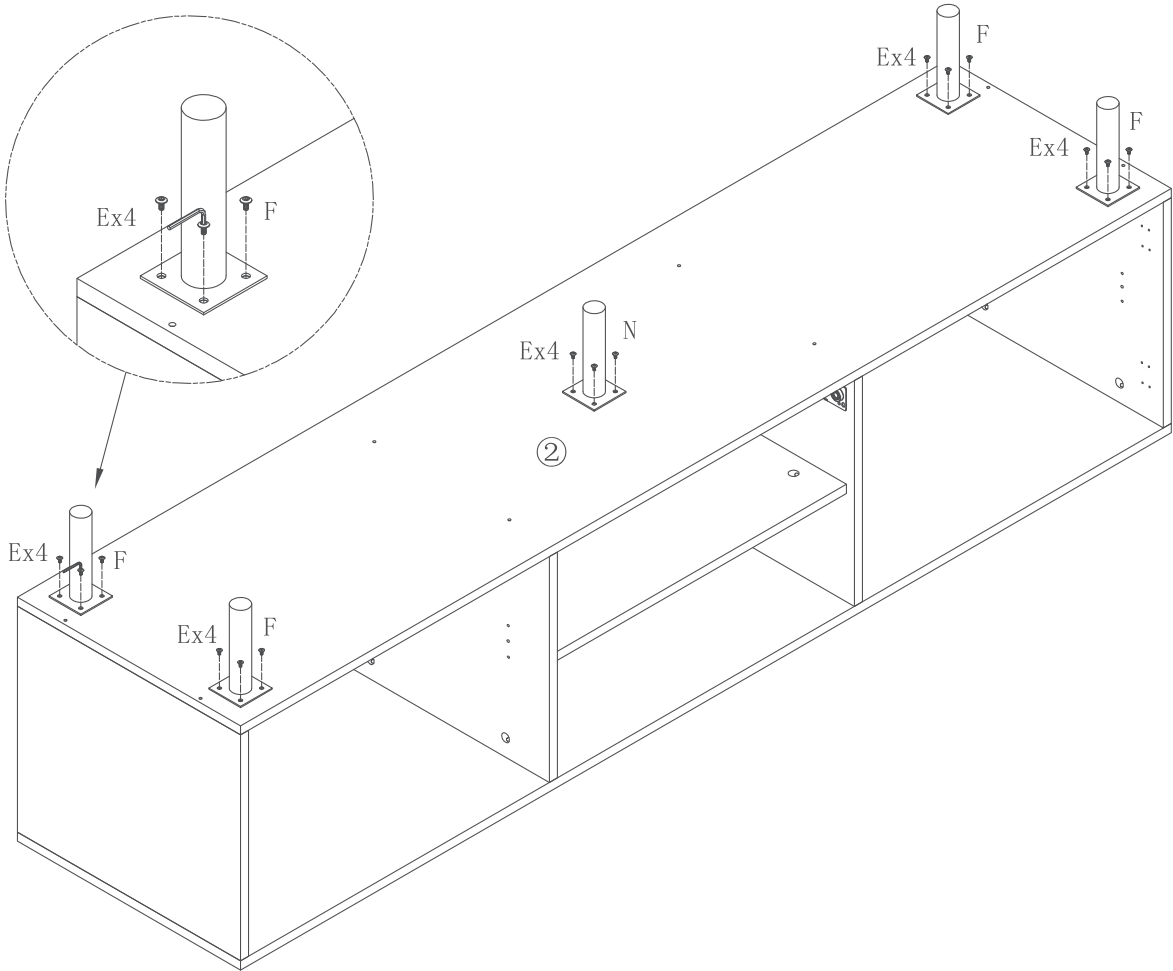
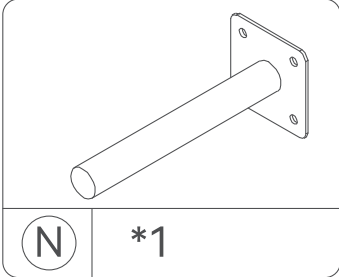
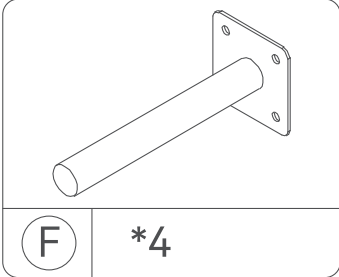
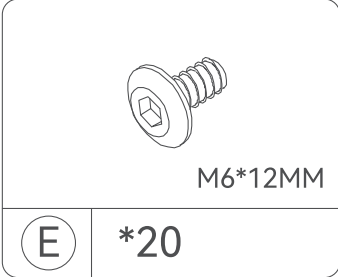
9

STEP 6



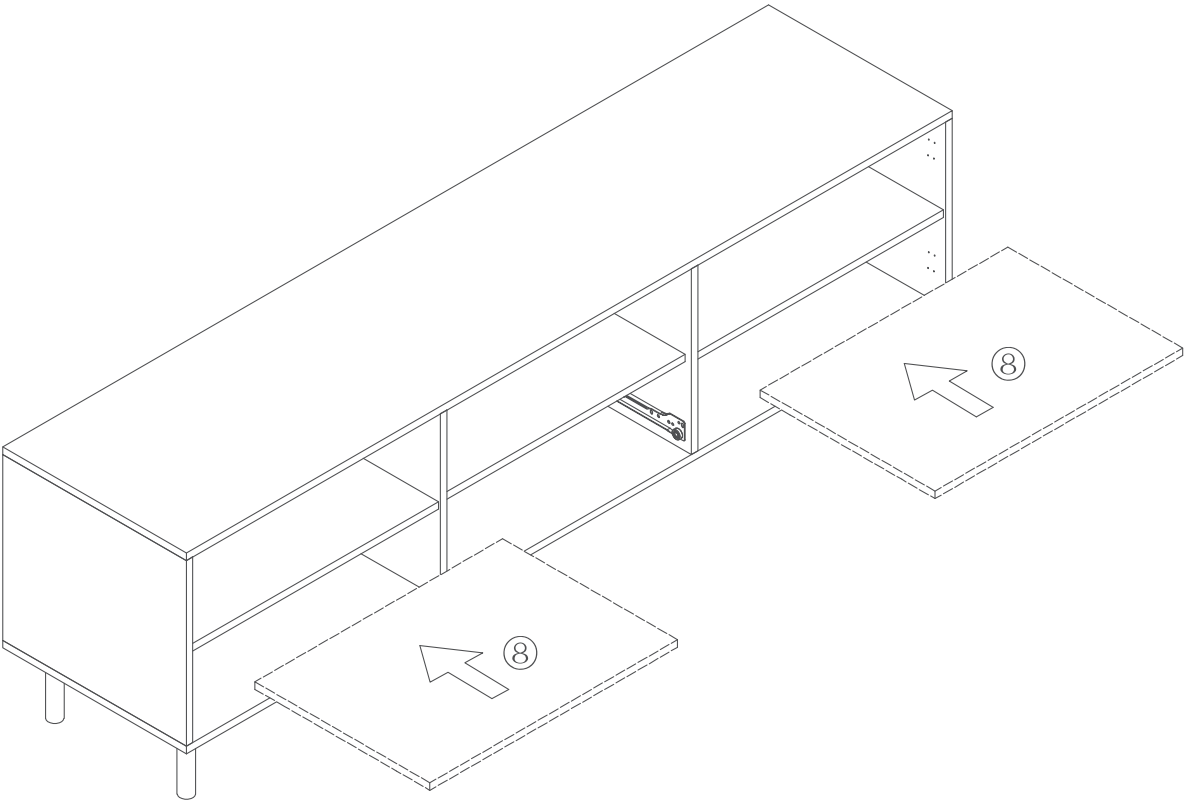
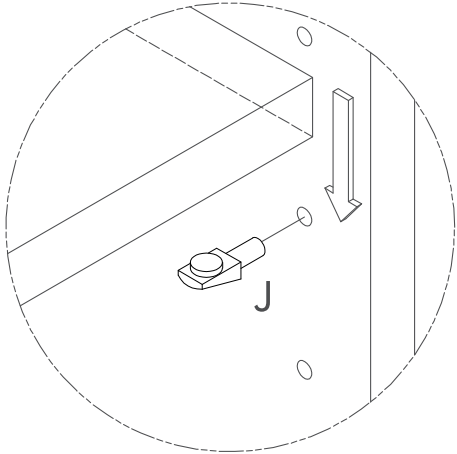
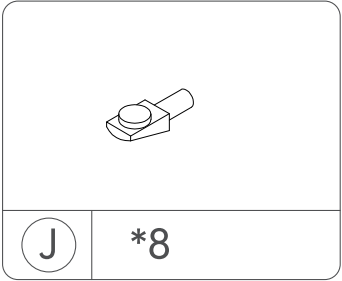
10

STEP 7



11

STEP 8



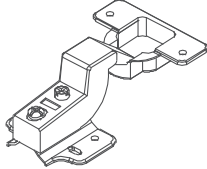
12

STEP 9

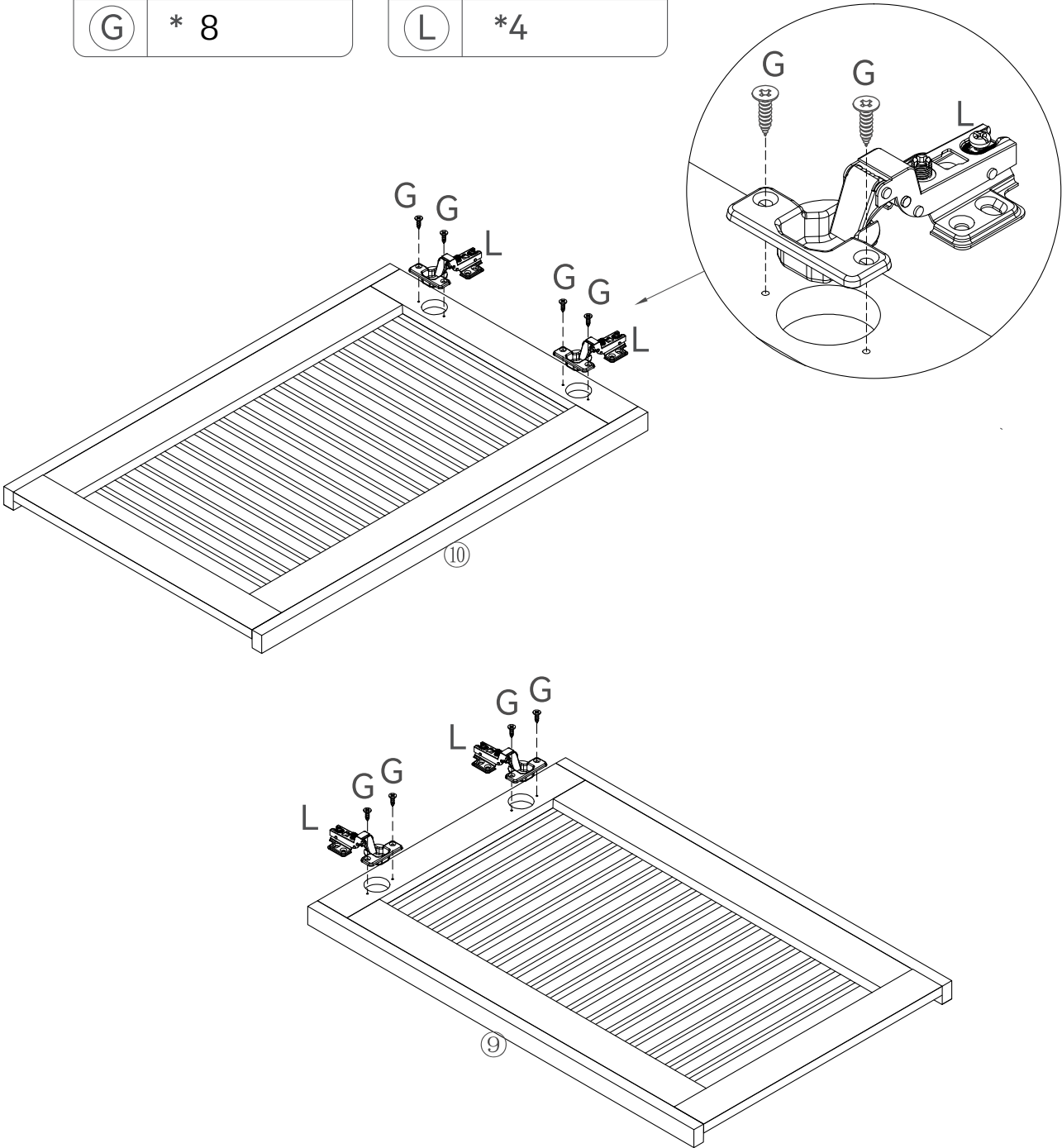


ø3.5*12MM

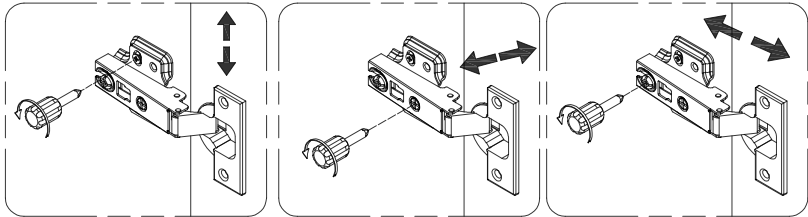
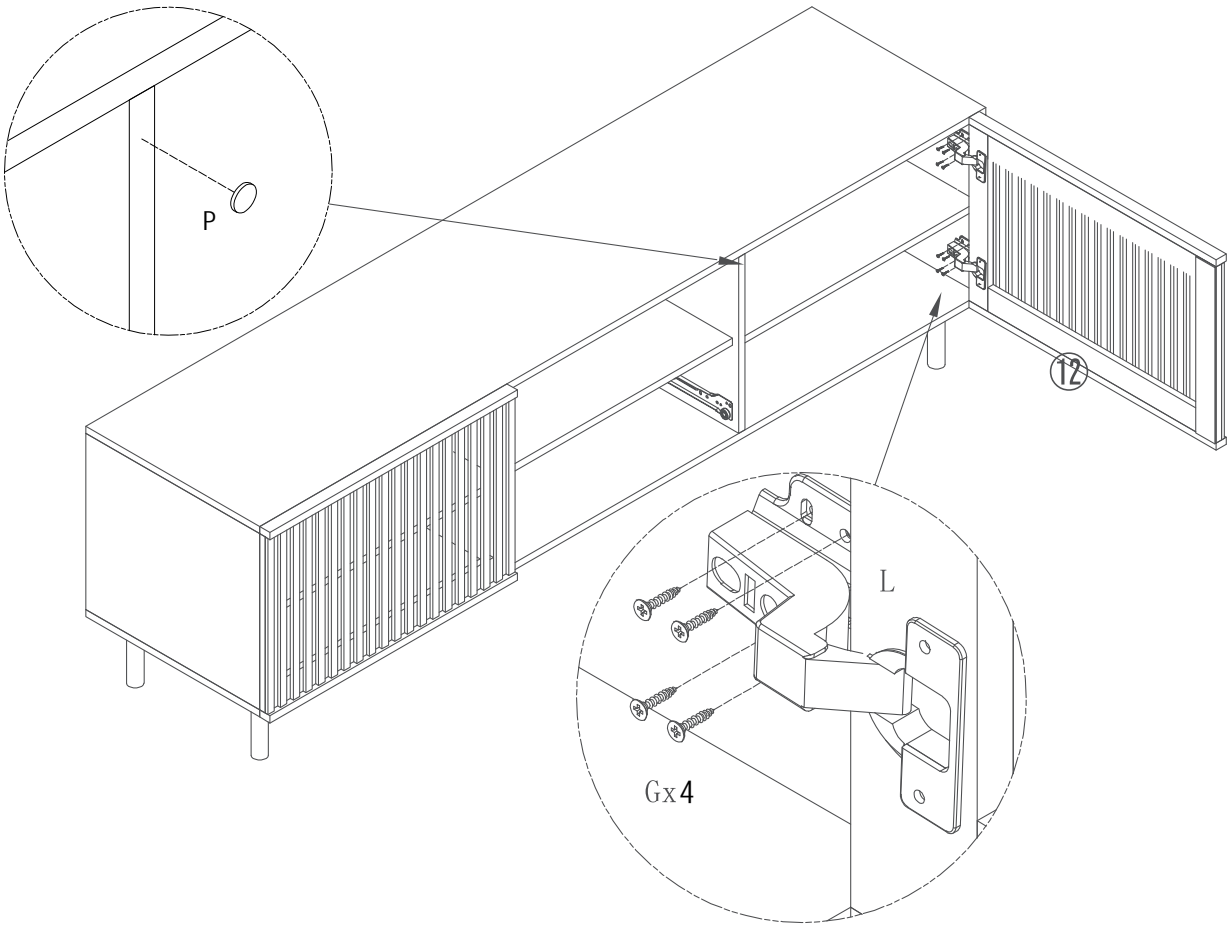
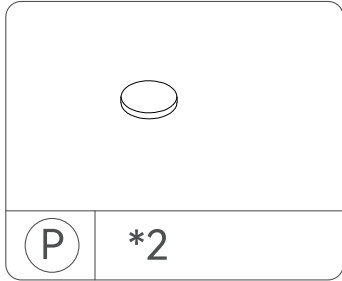
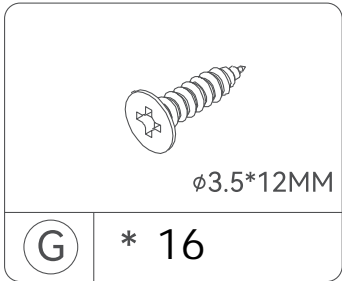
G	* 8
---	-----



L	*4
---	----

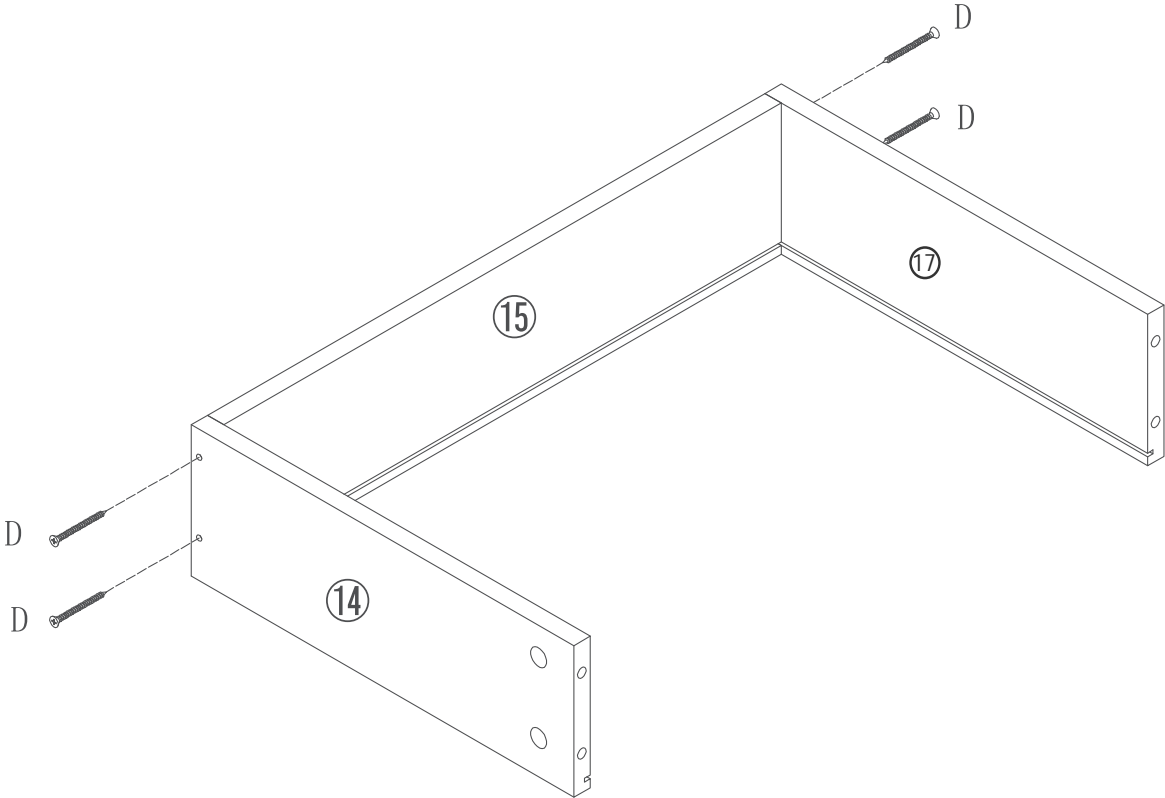
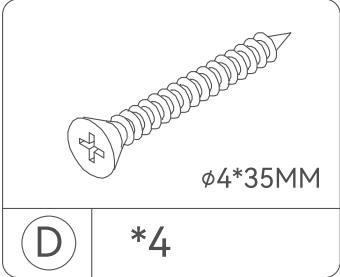


STEP 10



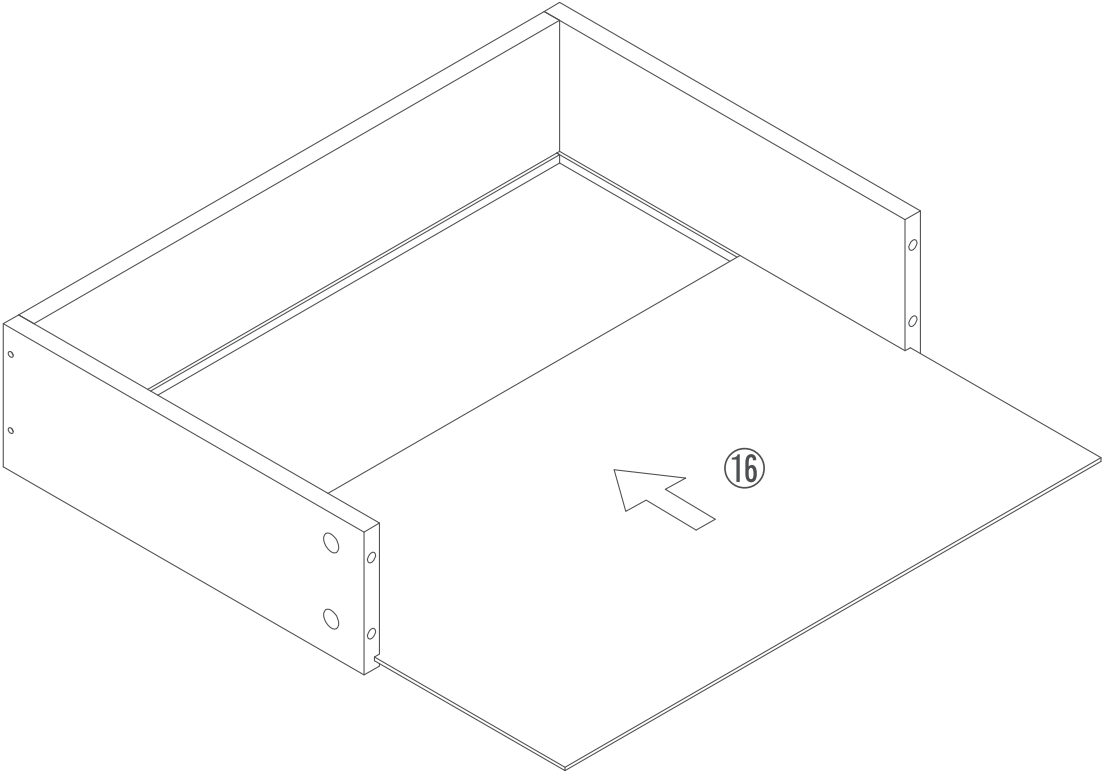
14

STEP 11



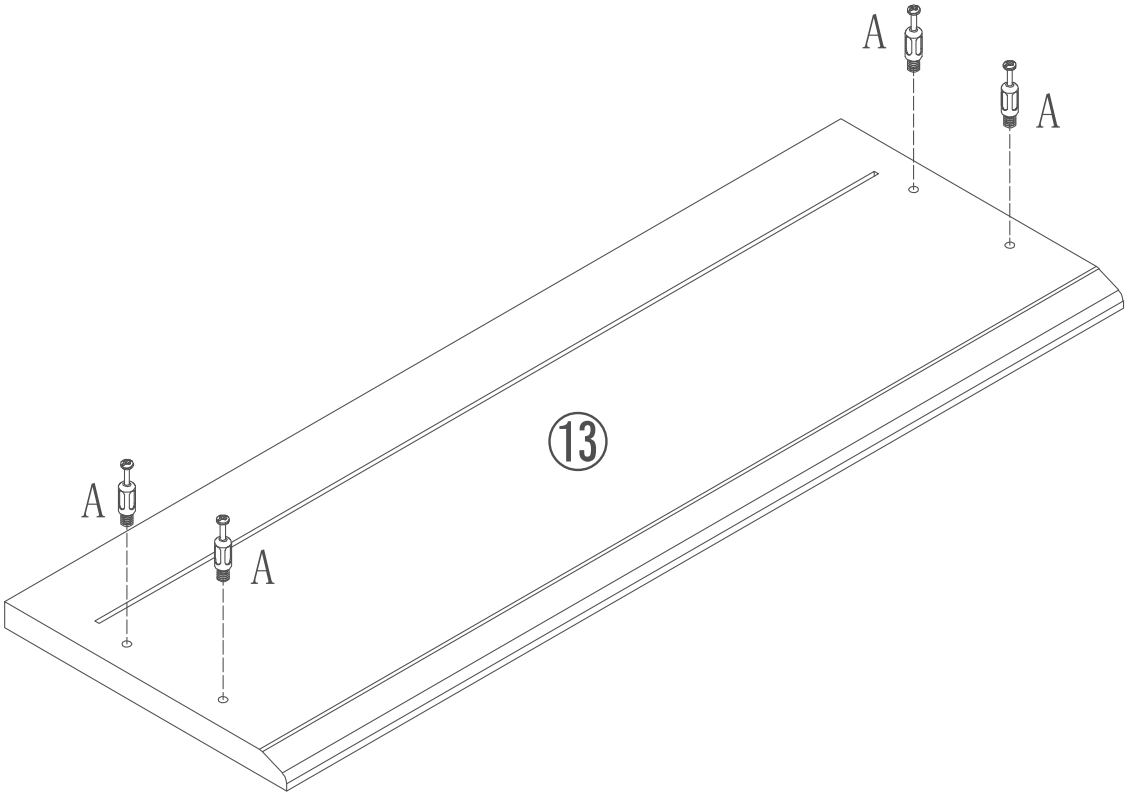
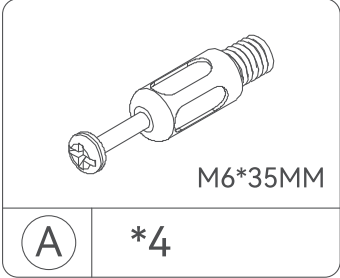
15

STEP 12



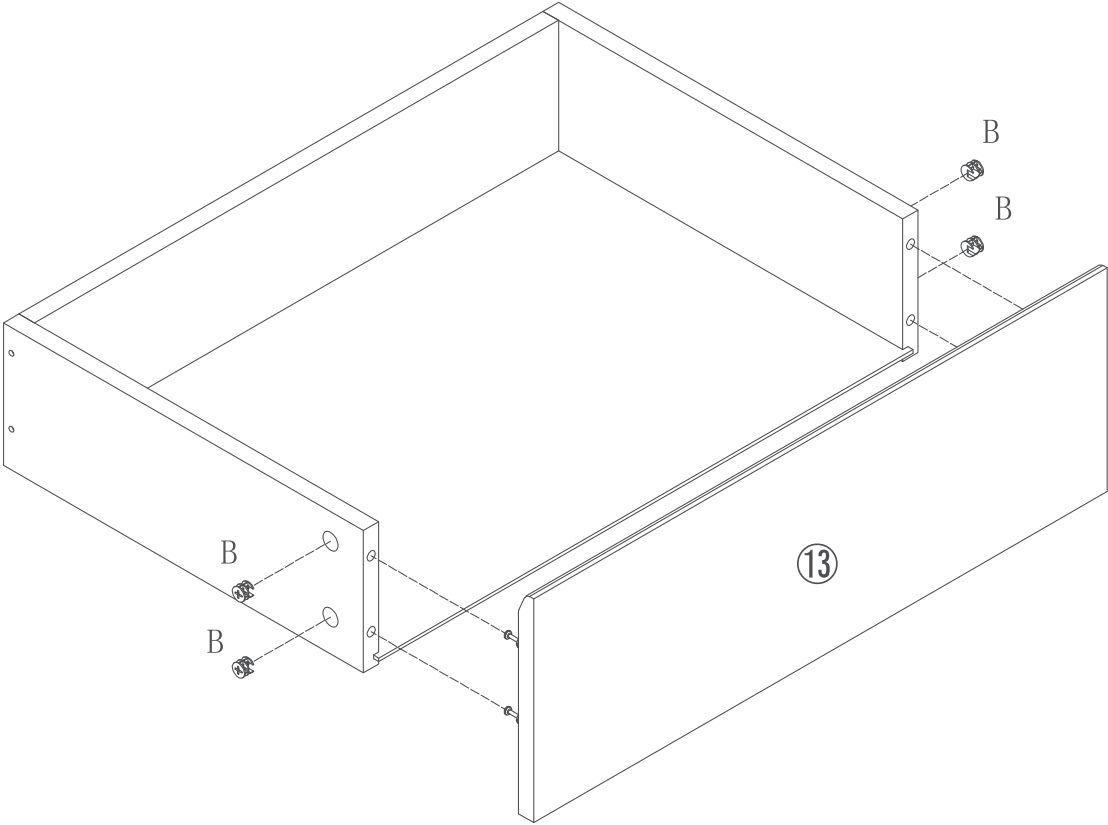
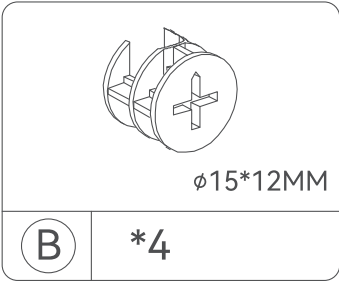
16

STEP 13

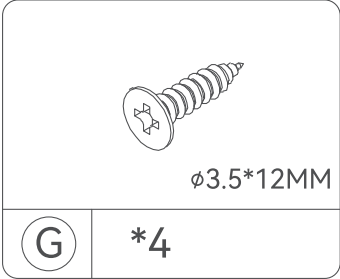


17

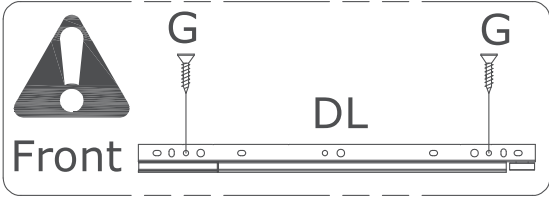
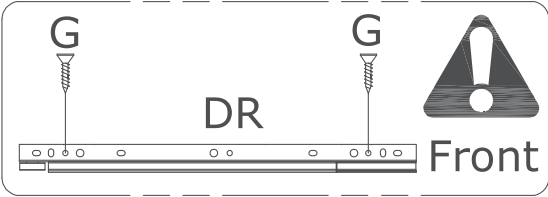
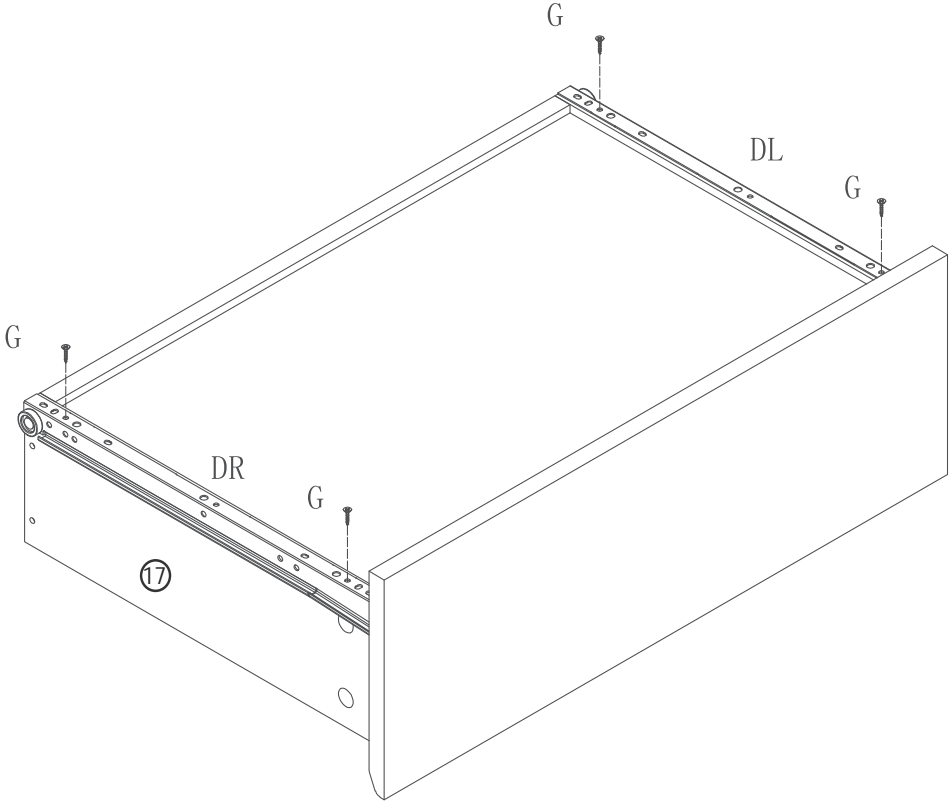
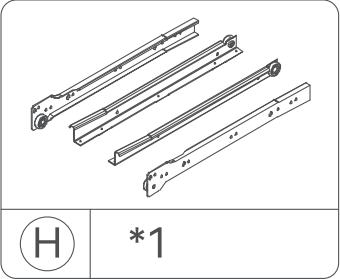
STEP 14



STEP 15

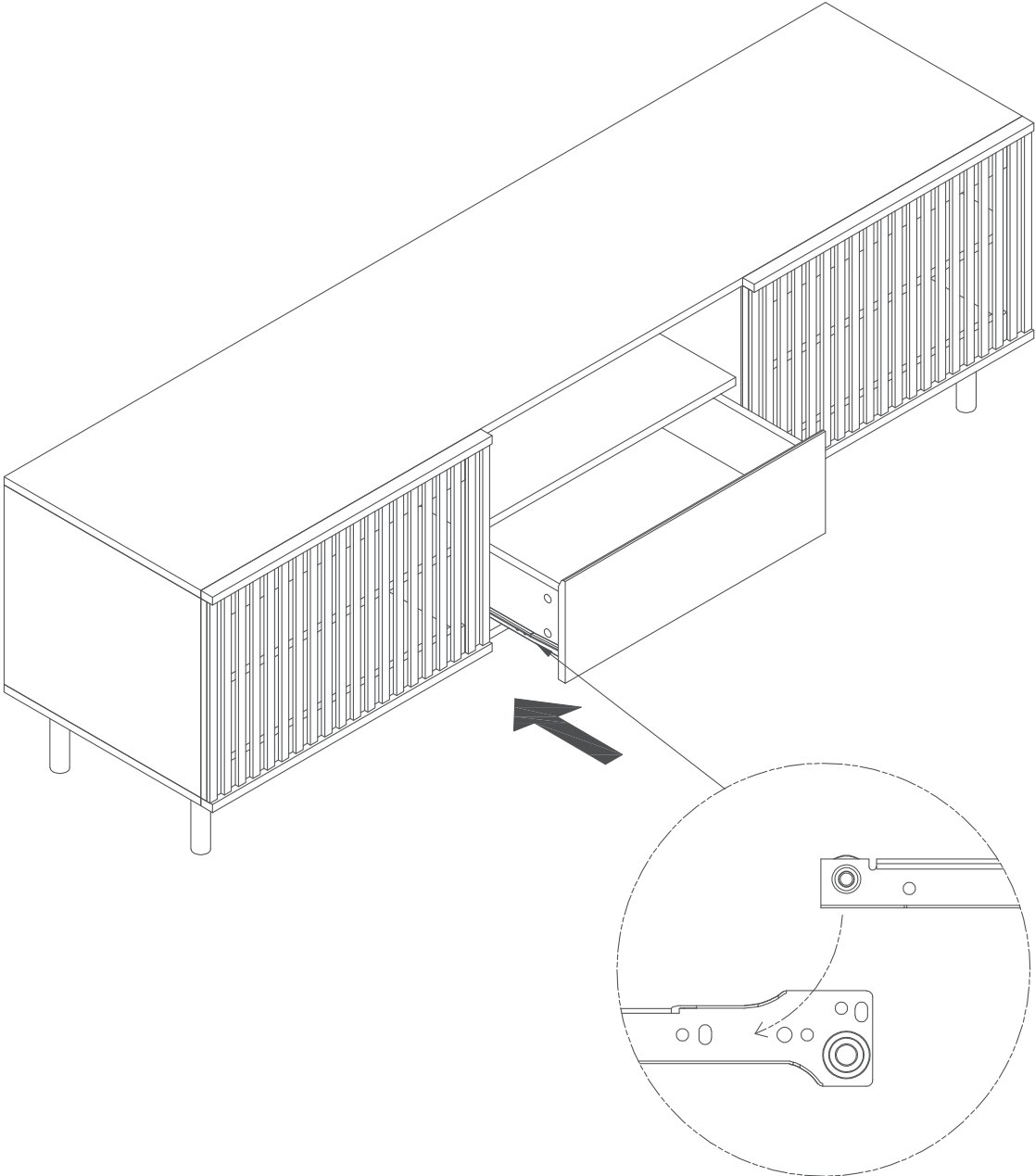


(G) *4

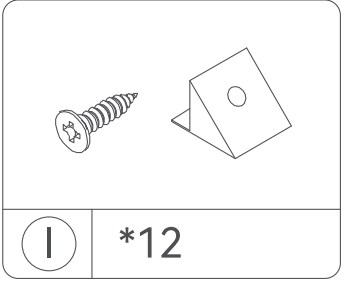


19

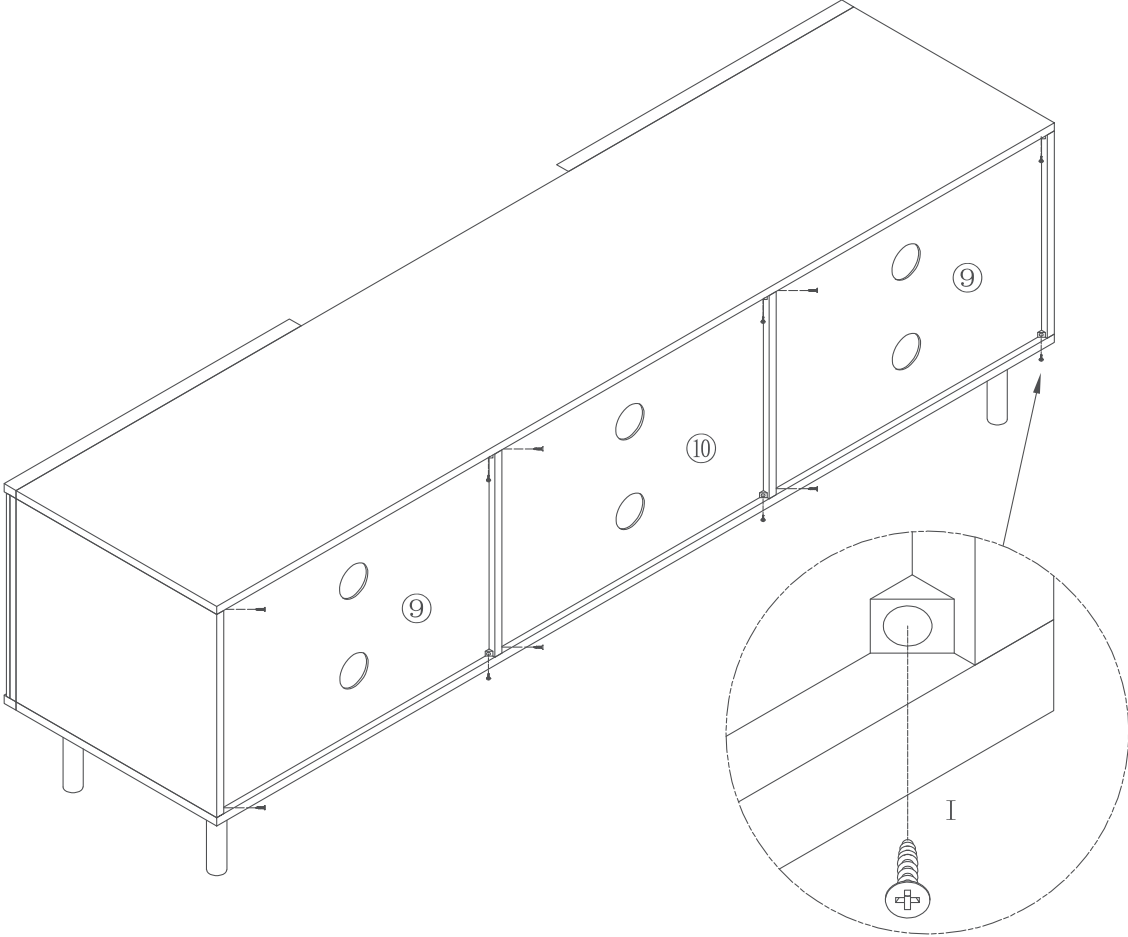
STEP 16



STEP 17

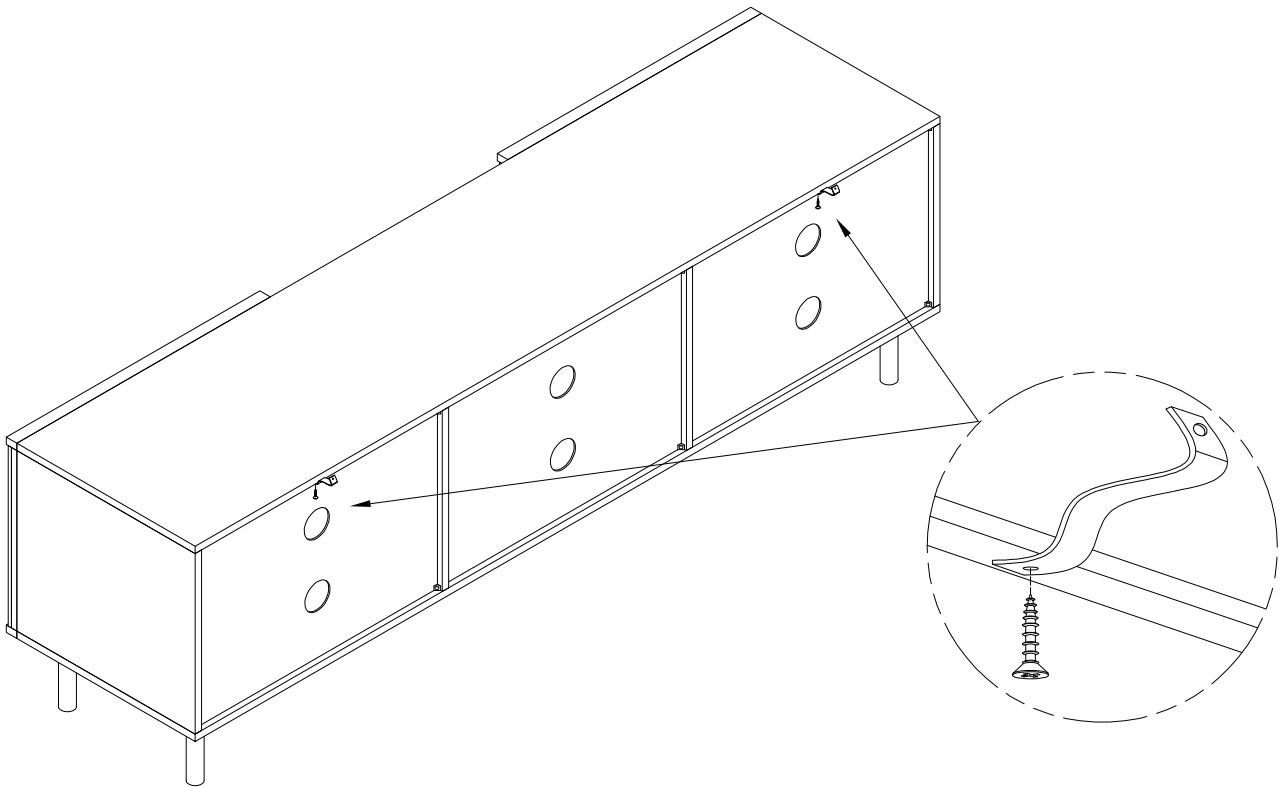
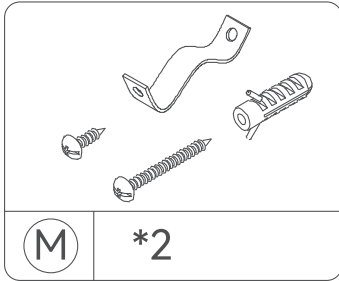


I *12



21

STEP 18



22

STEP 19

