











Assembly Instructions

Caution : You must read this before you proceed

Care & Maintenance

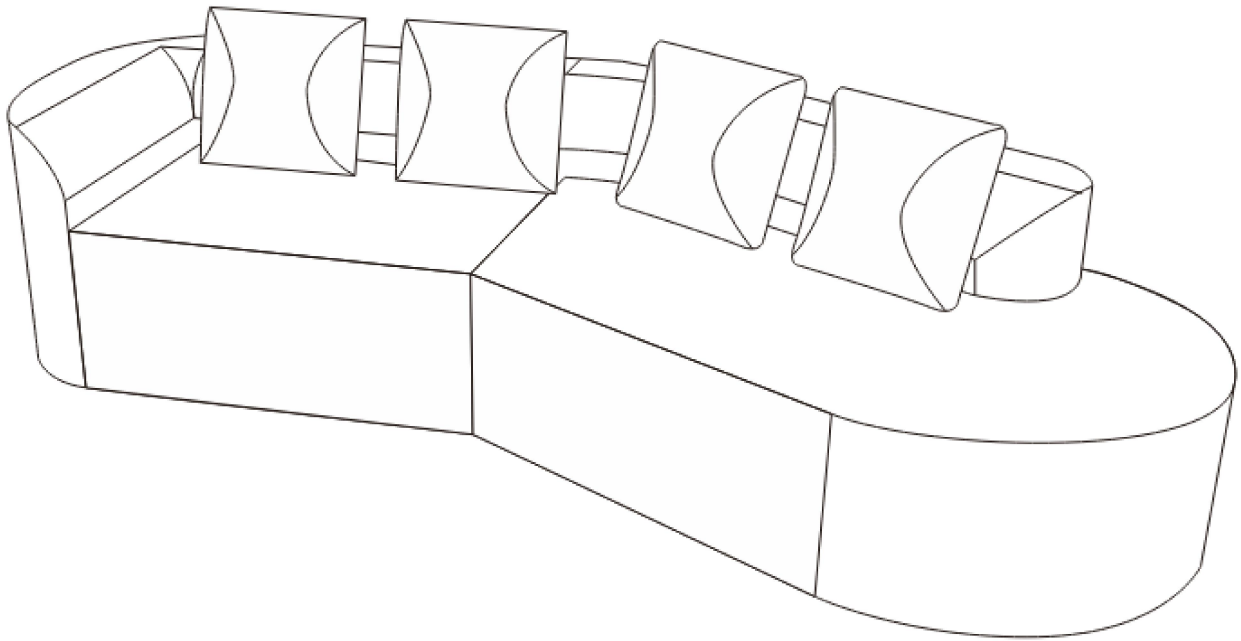
- ⊘  ● Not for commercial use. For residential use only.
- ✓  ● Furniture may scratch floors. We recommend using furniture pads to protect your floors.
- ⊘  ● Do not put hot items directly on furniture surface.
- ⊘  ● Do not clean furniture with harsh cleansers or polish.
- ⊘  ● Do not place furniture under direct sunlight.
- ⊘  ● Do not place furniture near heating or cooling vents.
- ⊘  ● Do not write on furniture without a padded barrier to protect the surface.
- ⊘  ● Do not place furniture outside . For indoor use only.
- ⊘  ● Stains may be removed with mild soap solution and damp cloth.
- ⊘  ● Children should not climb or jump on the furniture.



- Dust and pick-up spills using a clean, non-colored, lint-free cloth.

Please check in Sofa Cartons Pillow packs and sofa sets are usually shipped in multiple boxes and may arrive a day or two apart.

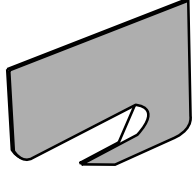
SOFA



Parts List

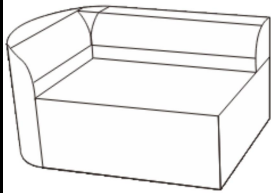
Label	Picture	Description
A	A line drawing of a sofa, showing the entire piece from a perspective view.	sofa
B	A line drawing of the backrest of the sofa, showing its curved shape and the two pillows attached to it.	sofa
C	A line drawing of a single pillow, showing its curved shape and the two sides.	pillow

Hardware

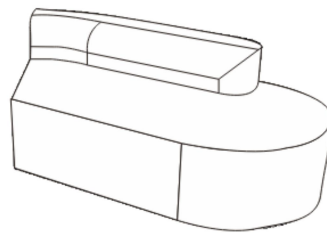
Label	Picture	Description
①		blades

Assembly Preparation

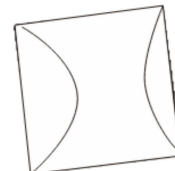
Before Beginning Assembly:



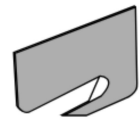
A×1



B×1



C×4



①×1



- Read instructions, cover to cover-



- Have 2 adults on hand for assembly-



- Do not assemble on flooring or carpet-



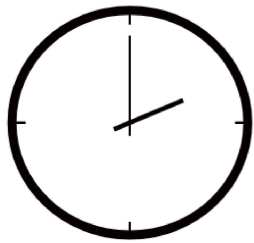
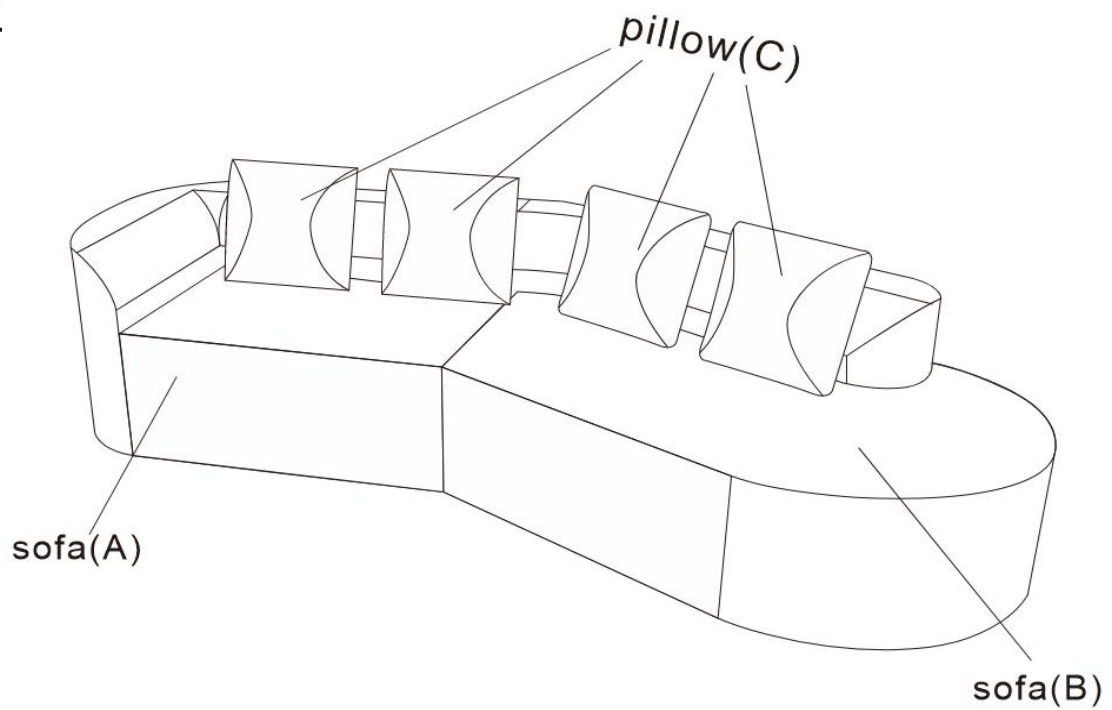
- Assemble on a clean non-marring surface (packing foam)-



- Save all packaging until finished-

Assembly Steps

Overview

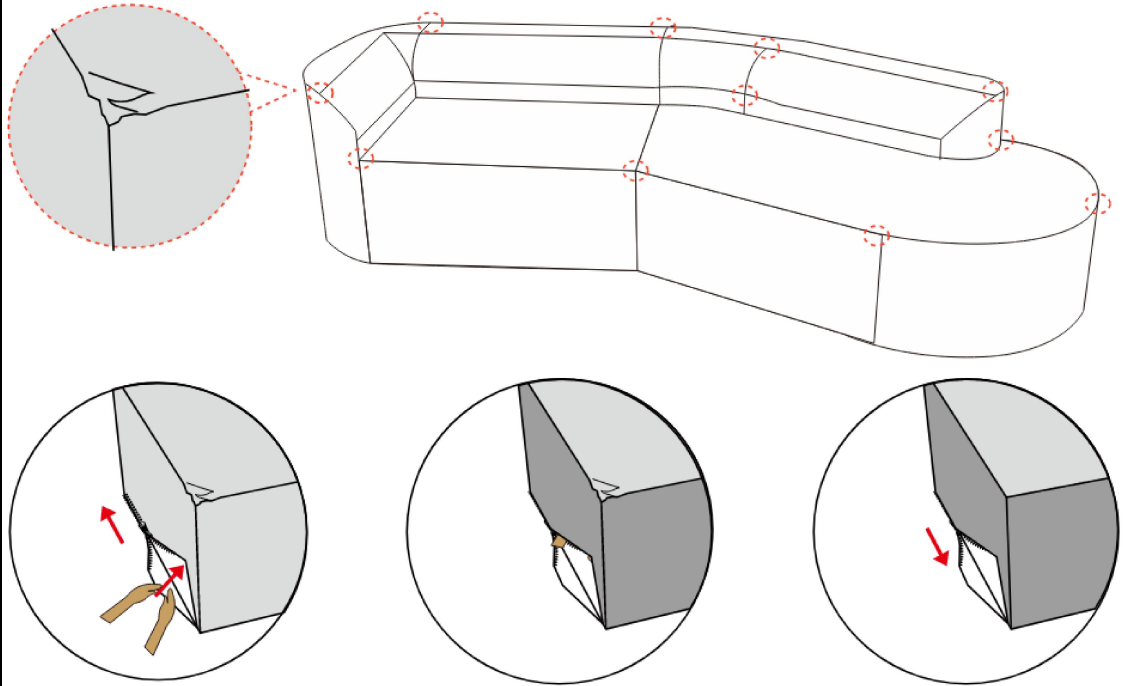


... **Wait 72h**

After opening the compression bag (Note: Please do not cut with a knife, so as not to damage to the product), the corners around the cushions if there are wrinkles, you need to wait for about 72 hours, it is recommended that guests pat and knead the corners of the sofa, in order to sponge better recovery.

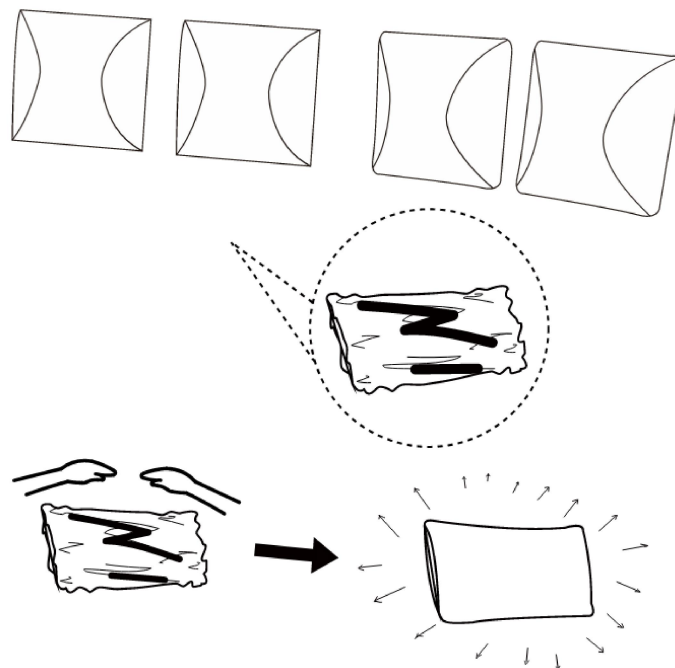
If you need any help, please take a picture and contact the seller.

Step 1



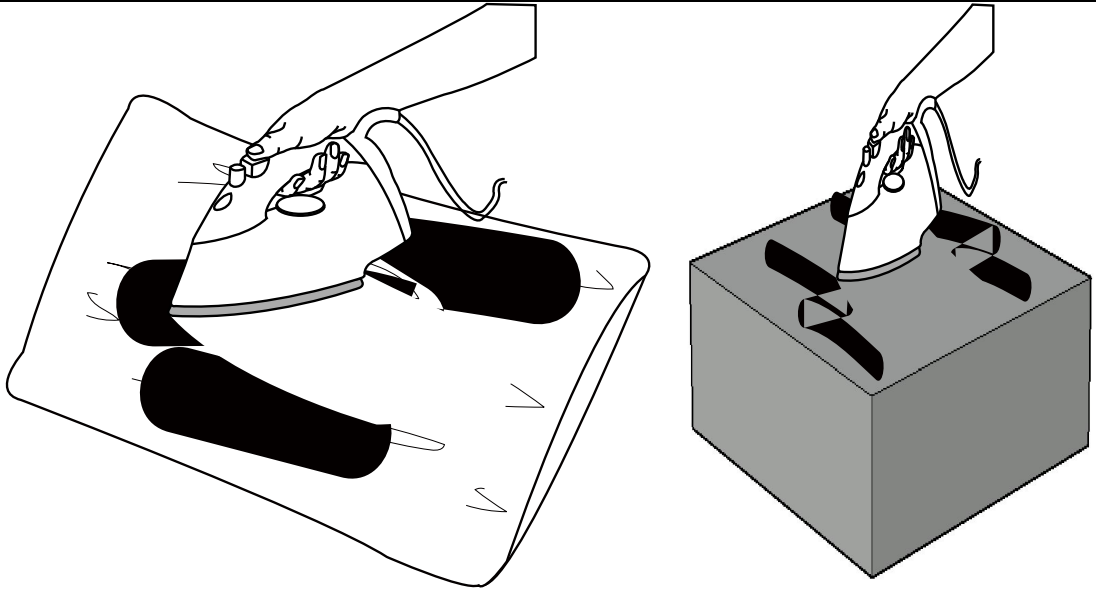
If you see the folds,Unzip the bottom ofthe product,Put your hand in,Gently pat and knead to tidy up thecreased sponge,Wait for the sponge to become fulland flat before Zip up the bottom of the product.

Step 2



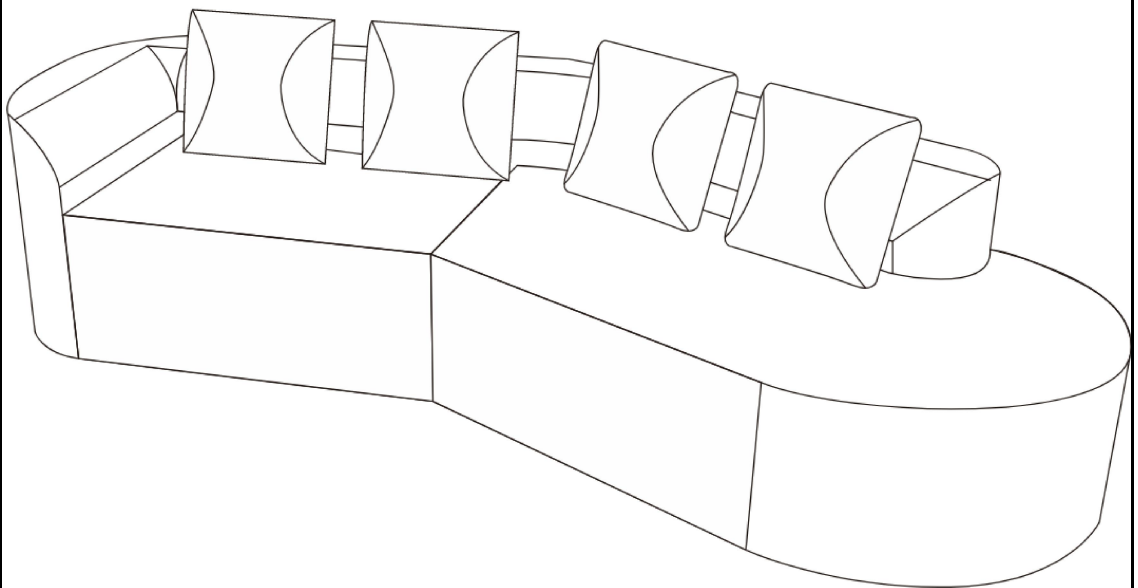
Pat to make it rebound better and fluffy
Knead your cushion like giving your cushion a massage while allowing the air to flow through the foam.

Step 3



Partial wrinkles on the surface of the fabric can be smoothed out with an iron.

Step 4



Your Sofa is ready for use.
This Sofa can only be used on a flat, level surface.