

# Murcano™ Assembly Instruction

---

## Addy Outdoor Bar Arm Chair

Your furniture requires assembly prior to use. It is important that you read the entire assembly instructions to become familiar with the unit before you set up this product.

### Safety Warning and Precautions

**WARNING:** When setting up your furniture, basic precautions should always be followed to reduce risk of personal injury and damage to the product.

Read all instructions before assembly and usage this product.








1. Select ideal location. Set out all parts on a clear and level surface prior to assembly. Ideally, the furniture should be set up in the desired location to avoid moving it after assembly.
2. Use caution. During all the processes of assembling, especially when lifting heavy or large parts, pay attention to safety.
3. Tools and Assistance. An adjustable spanner is required for assembly. It is recommended 2 people assist with assembly.
4. Check all parts before assembling, ensure you have all parts detailed in the parts list on Page 2.
5. Refer to assembly diagram. During assembly, refer to the assembly instructions on following pages.
6. Caution. Keep children away from work area during assembly. Do not allow children to handle parts or tools while assembling.









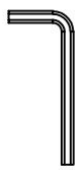



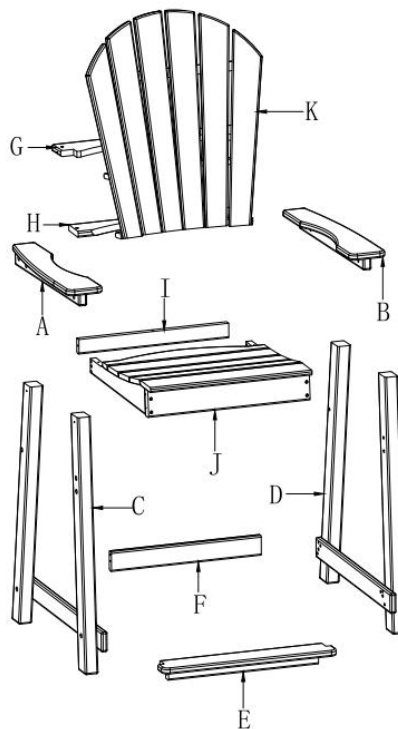
# Murcano™ Assembly Instruction

## Addy Outdoor Bar Arm Chair

### PANEL AND FITTINGS IDENTIFICATION

Part #	A	B	C	D	E	F	G
Description:	Right Armrest	Left Armrest	Right Armrest frame	Left Armrest frame	Front Connecting Rod	Back Connecting Rod	Back Panel Support a
Figure:							
Qty:	1	1	1	1	1	1	1

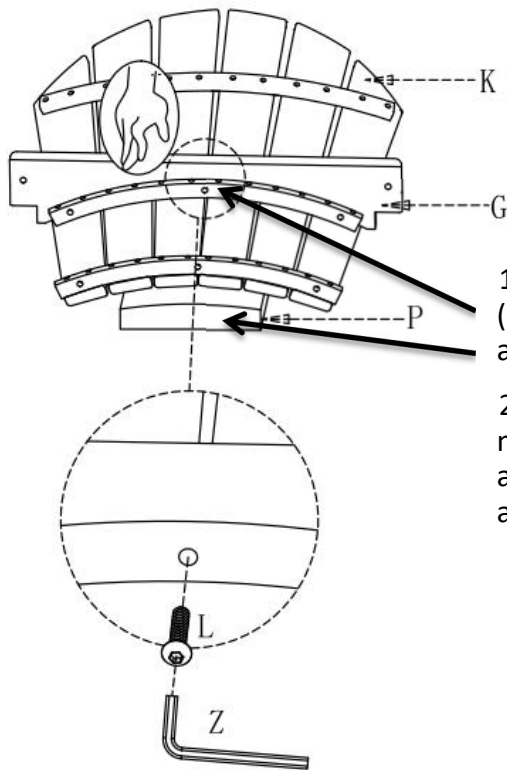
Part #	H	I	J	K	L	M	N	O	Z	P
Description :	Back Panel Support b	Seat Panel Support	Seat Panel	Back Panel	Bolt M6*30	Screw M6*50	Screw M6*65	Screw M6*85	Allen Wrench	Foam Pad
Figure:										
Qty:	1	1	1	1	8	9	4	6	1	1



# Murcano™ Assembly Instruction

## Addy Outdoor Bar Arm Chair

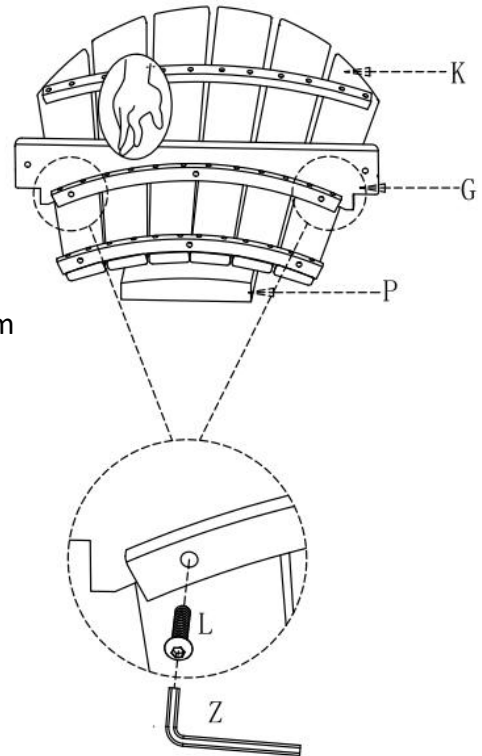
### STEP1



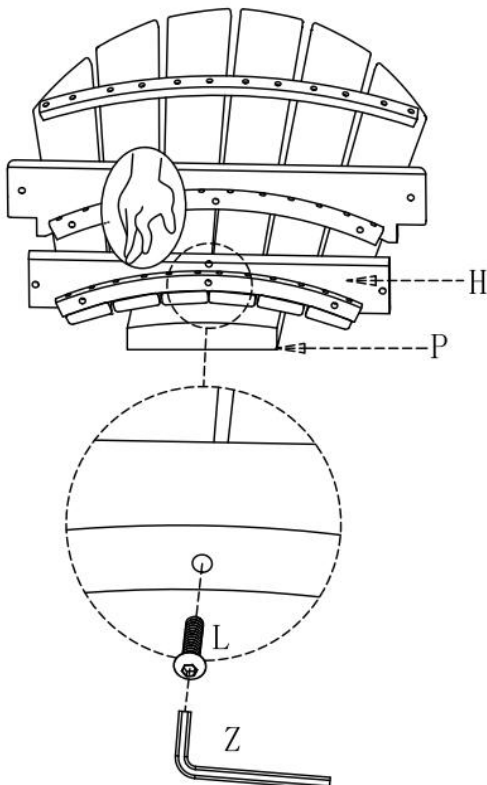
1. Put the Foam Pad (Part P) on the bottom as a support.

2. Press firmly in the middle of part G to align the screw holes and install it.

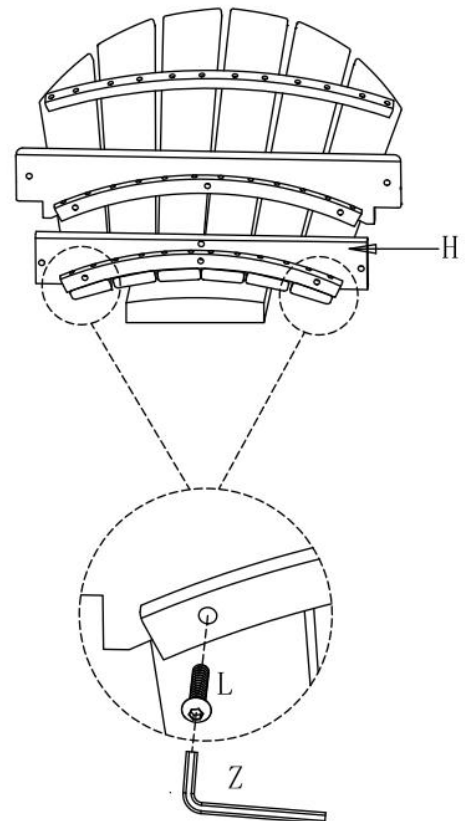
### STEP2



### STEP3



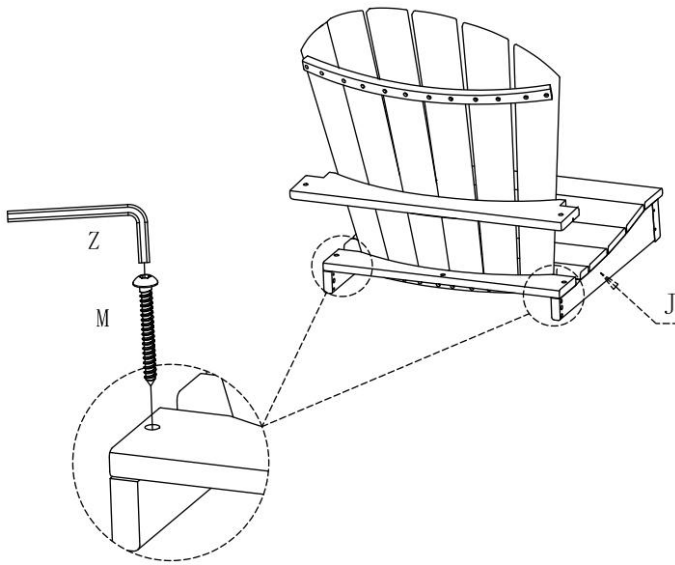
### STEP4



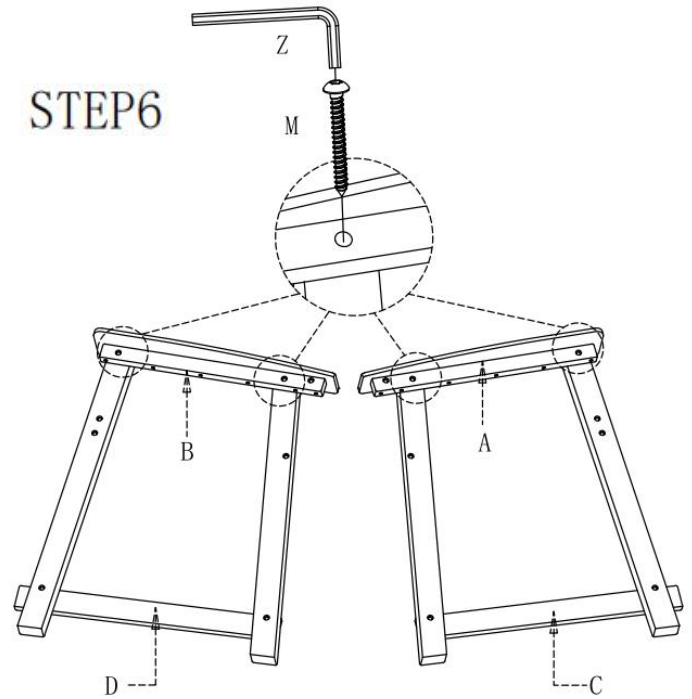
# Murcano™ Assembly Instruction

## Addy Outdoor Bar Arm Chair

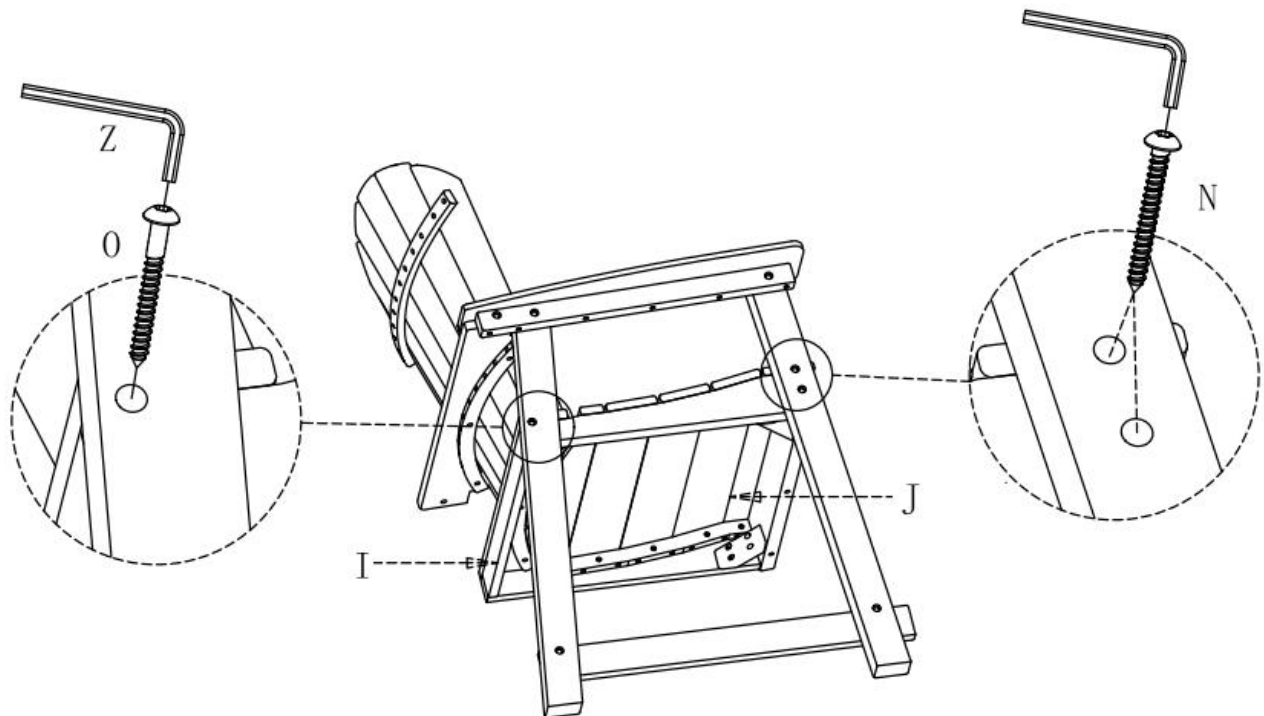
### STEP5



### STEP6



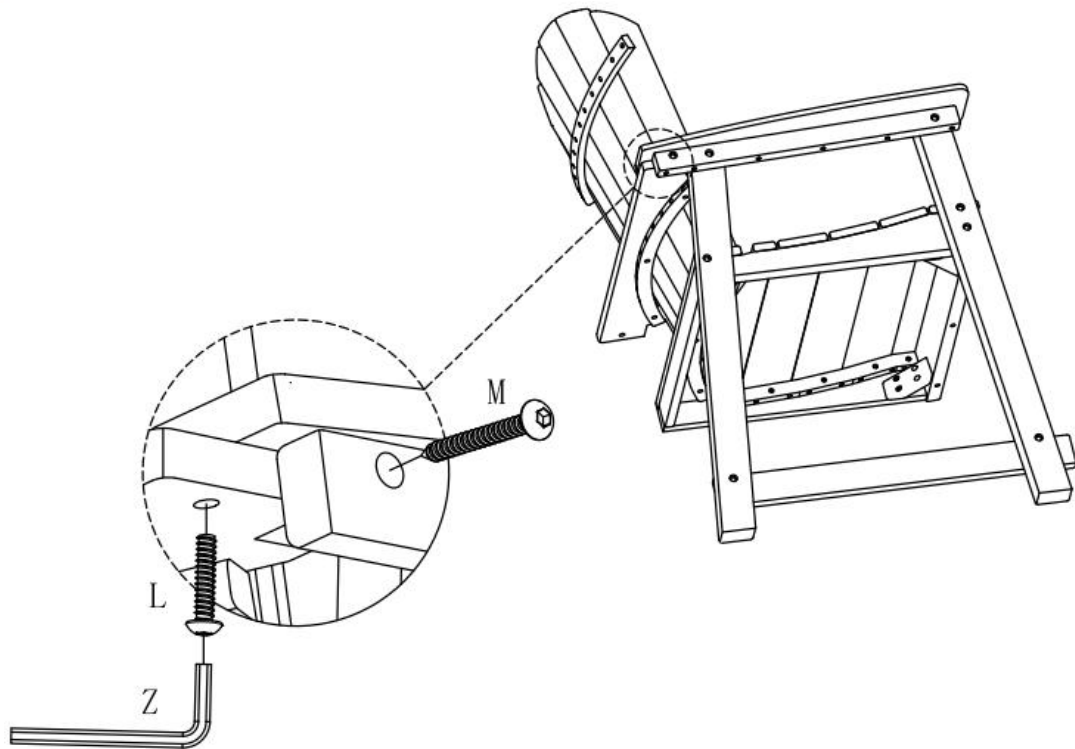
### STEP7



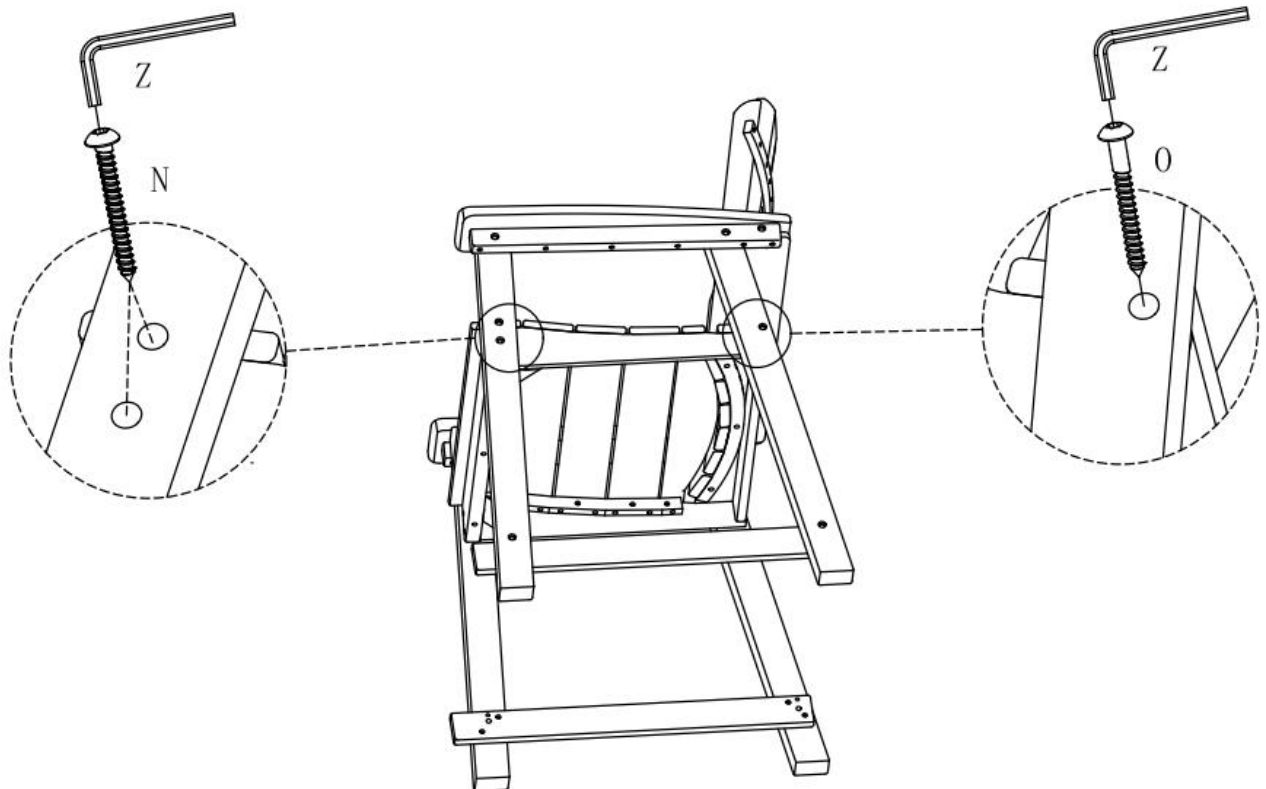
# Murcano™ Assembly Instruction

## Addy Outdoor Bar Arm Chair

### STEP 8



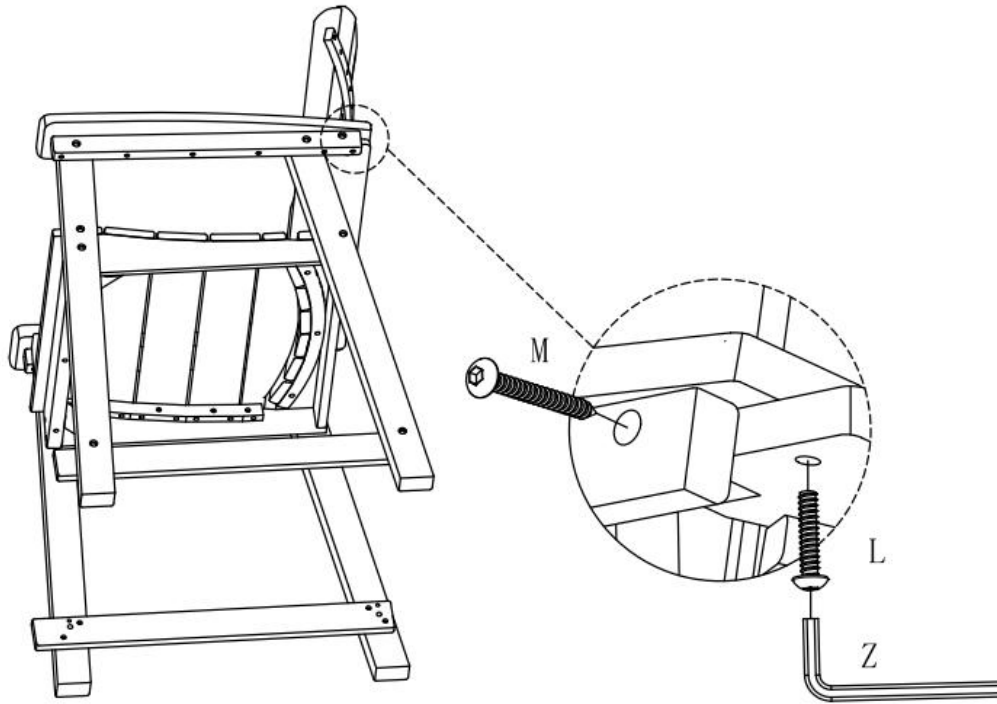
### STEP 9



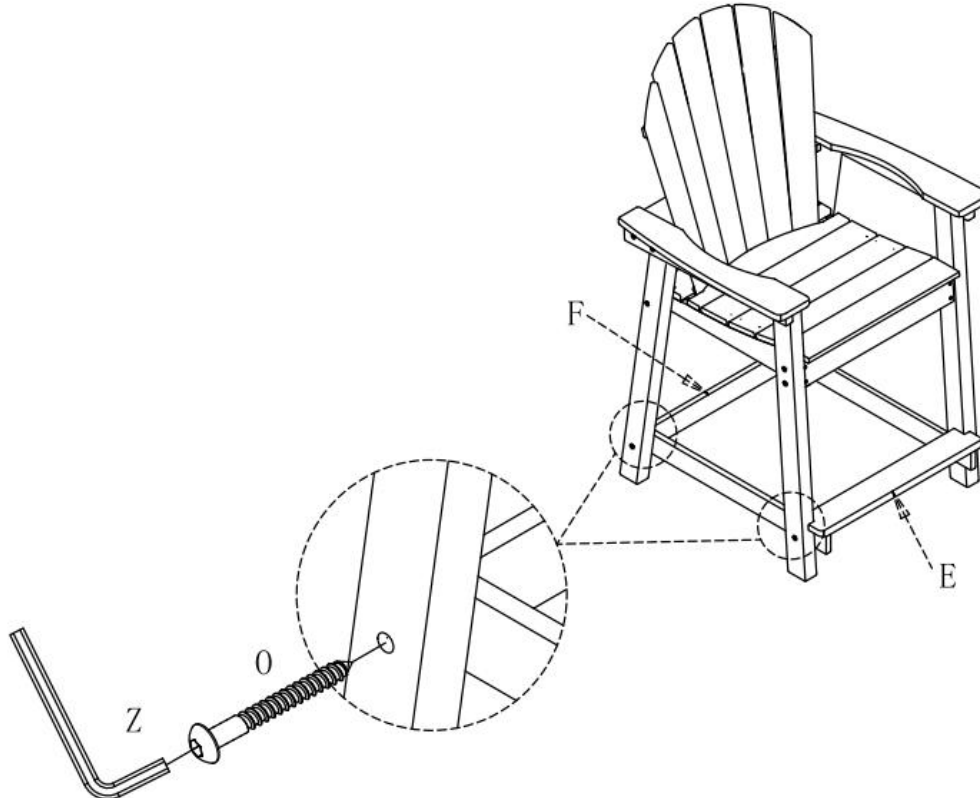
# Murcano™ Assembly Instruction

## Addy Outdoor Bar Arm Chair

### STEP10



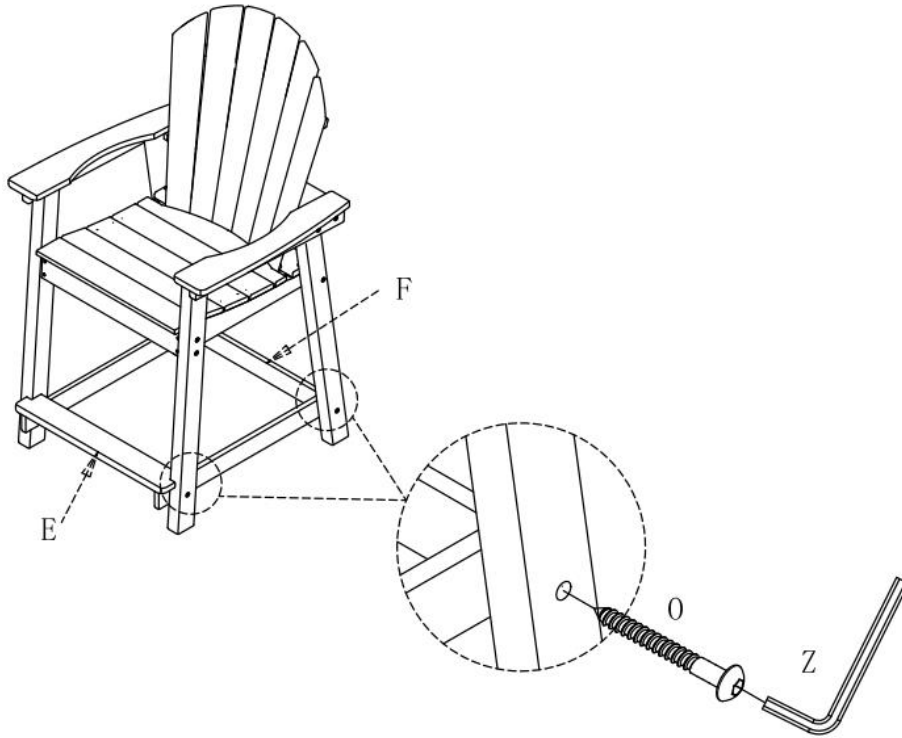
### STEP11



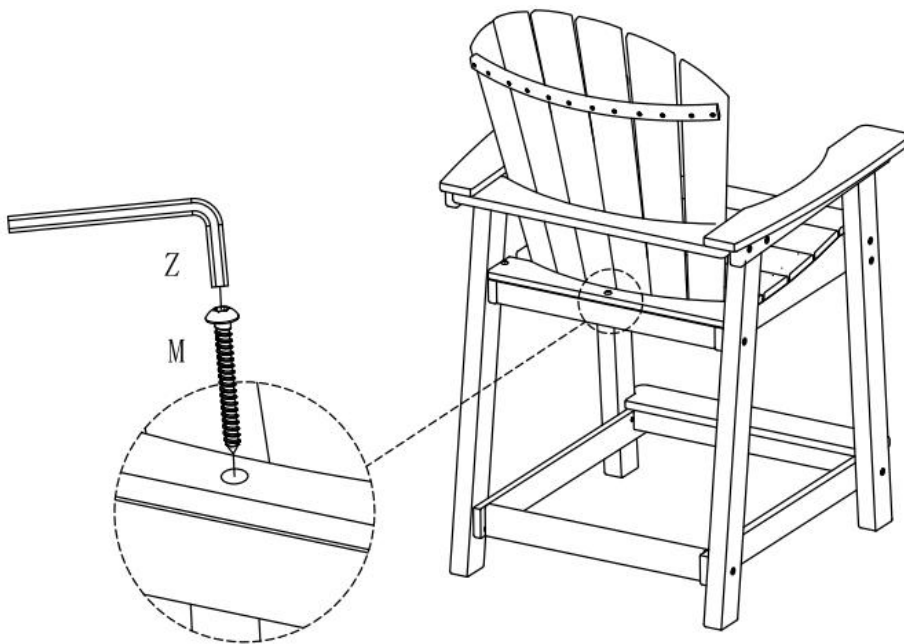
# Murcano™ Assembly Instruction

## Addy Outdoor Bar Arm Chair

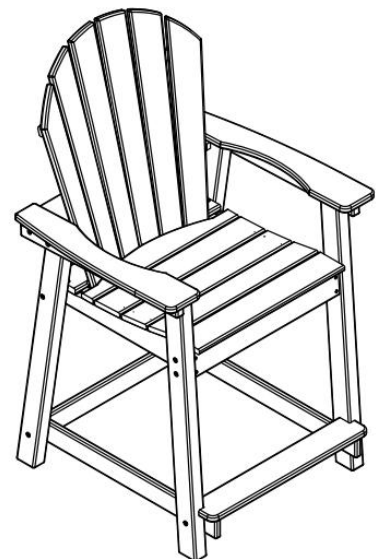
### STEP 12



### STEP 13



### STEP 14



## Addy Outdoor Bar Arm Chair

### Steps:

1. Attach the Back Panel Support a (Part G) to the Back Panel (Part K) with Bolt M6\*30 (Part L) by using Allen Wrench (Part Z). Install the middle hole first, and then the holes on both sides. Put the Foam Pad (Part P) on the bottom as a support.
2. Attach the Back Panel Support b (Part H) to the Back Panel (Part K) with Bolt M6\*30 (Part L) by using Allen Wrench (Part Z). Install the middle hole first, and then the holes on both sides. Put the Foam Pad (Part P) on the bottom as a support.
3. Attach the Back Panel (Part K) to the Seat Panel (Part J) with Screws M6\*50 (Part M) by using Allen Wrench (Part Z).
4. Attach the Right Armrest (Part A) to the Right Armrest frame (Part C) and the Left Armrest (Part B) to the Left Armrest frame (Part D) with Screws M6\*50 (Part M) by using Allen Wrench (Part Z).
5. Attach the Right Armrest to the Seat Panel (Part J) and the Seat Panel Support (Part I) with Bolt M6\*85 (Part O) and Bolt M6\*65 (Part N) by using Allen Wrench (Part Z).
6. Attach the Right Armrest to the Back Panel Support a (Part G) with Screws M6\*50 (Part M) and Bolt M6\*30 (Part L) by using Allen Wrench (Part Z).
7. Attach the Left Armrest to the Seat Panel (Part J) and the Seat Panel Support (Part I) with Bolt M6\*85 (Part O) and Bolt M6\*65 (Part N) by using Allen Wrench (Part Z).
8. Attach the Left Armrest to the Back Panel Support a (Part G) with Screws M6\*50 (Part M) and Bolt M6\*30 (Part L) by using Allen Wrench (Part Z).
9. Attach the Front Connecting Rod (Part E) and Back Connecting Rod (Part F) to the Left and Right Armrests with Screws M6\*85 (Part O) by using Allen Wrench (Part Z).
10. Attach the Back Panel Support b (Part H) to the Seat Panel Support (Part I) with Screws M6\*50 (Part M) by using Allen Wrench (Part Z).

Tighten all screws. Your chair is ready to use. (Note: Pre-assemble all the bolts loosely but do not fully turn the bolts into their holes until all bolts are inserted in their holes.)

Periodically check and make sure that all screws are fully tightened.