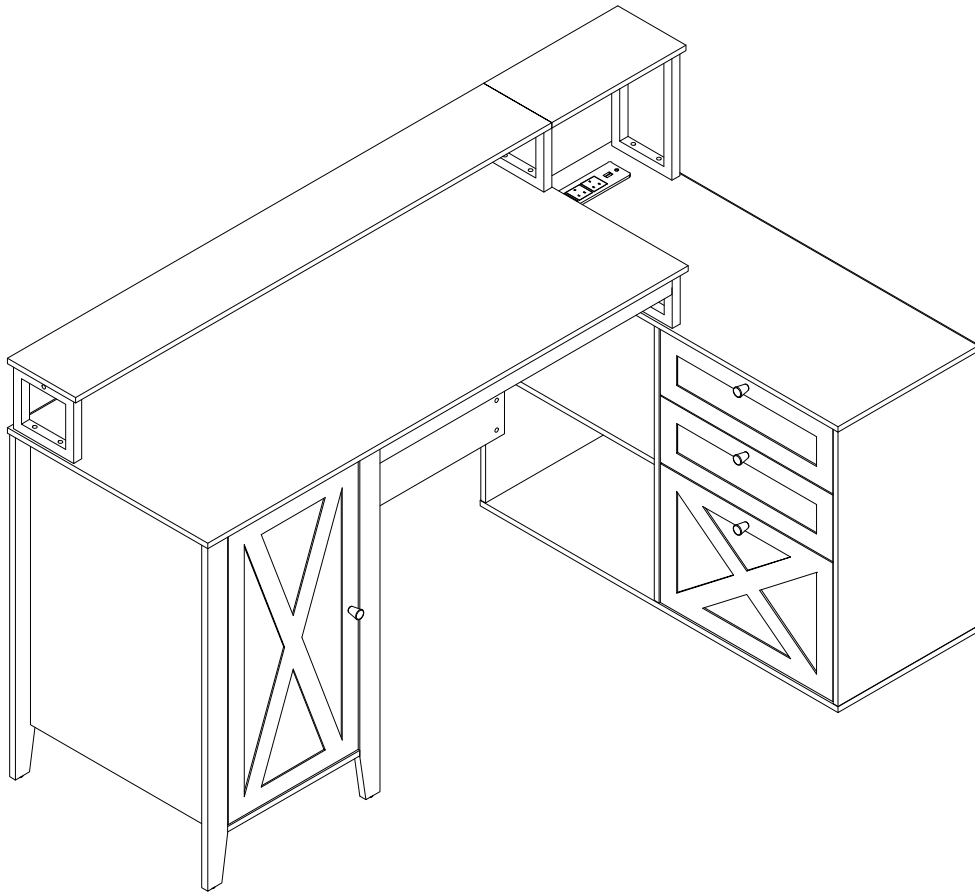
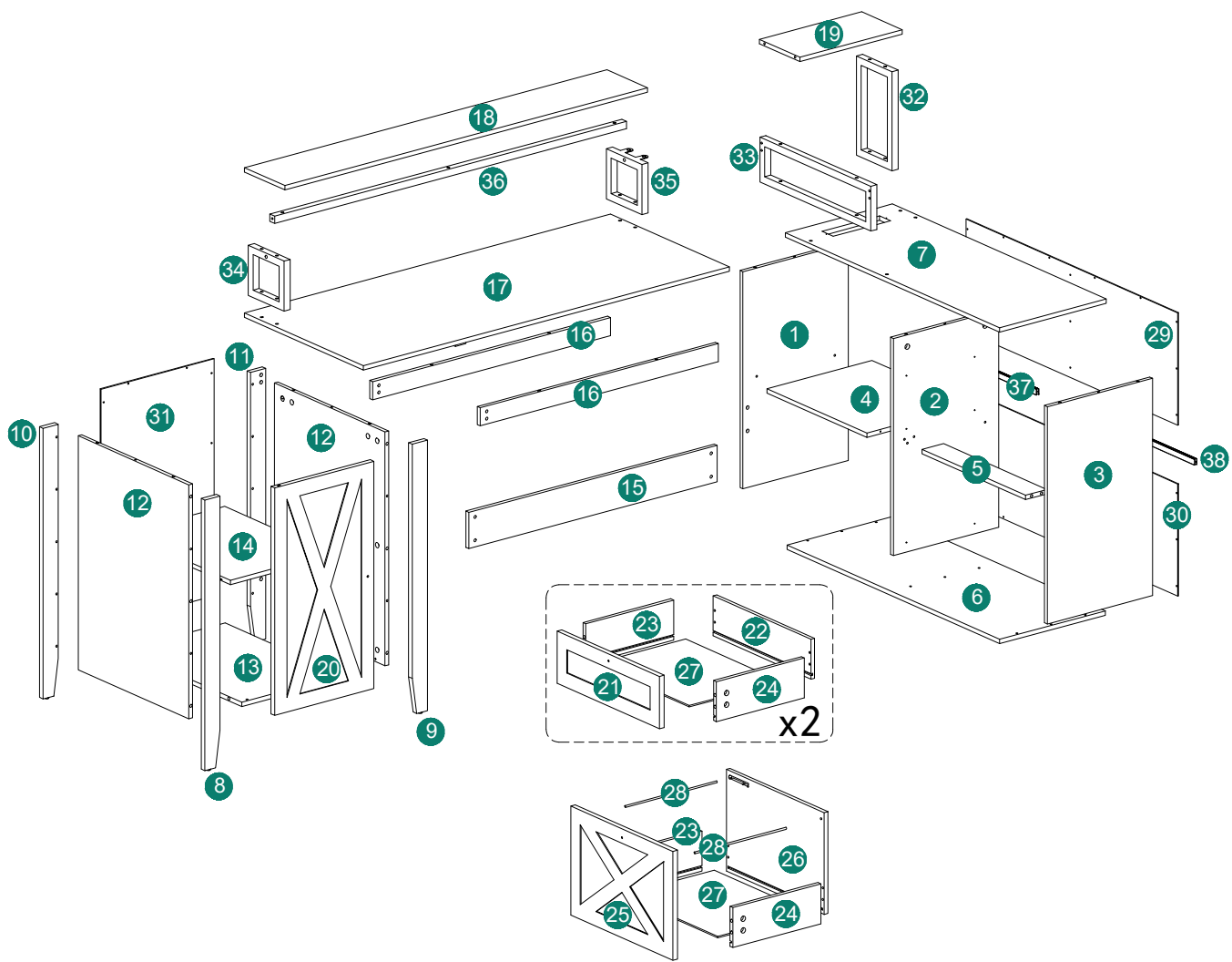
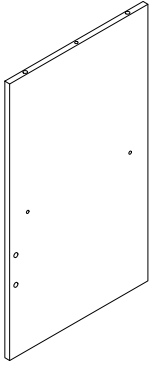


# ASSEMBLY INSTRUCTION



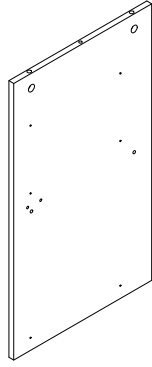


1



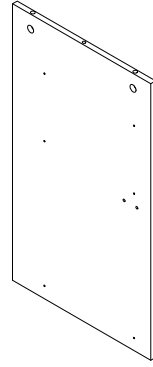
1PCS

2



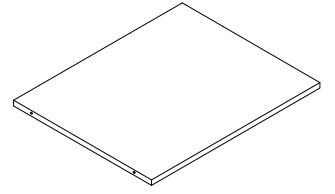
1PCS

3



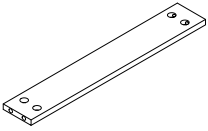
1PCS

4



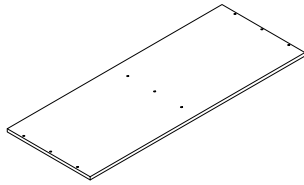
1PCS

5



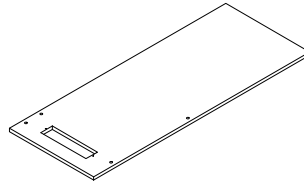
1PCS

6



1PCS

7



1PCS

8



1PCS

9



1PCS

10



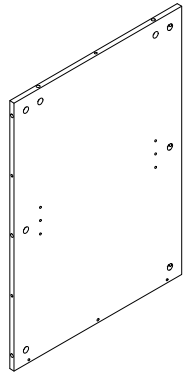
1PCS

11



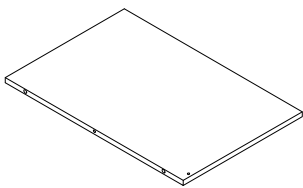
1PCS

12



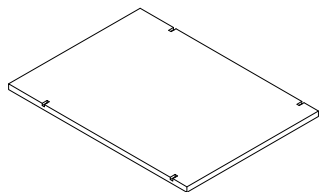
2PCS

13



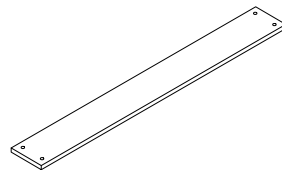
1PCS

14



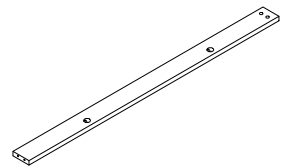
1PCS

15



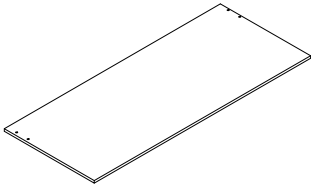
1PCS

16



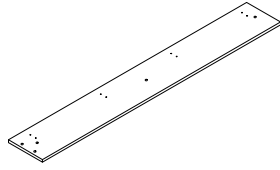
2PCS

17



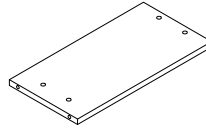
1PCS

18



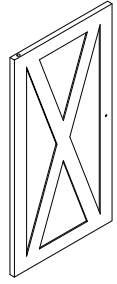
1PCS

19



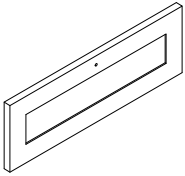
1PCS

20



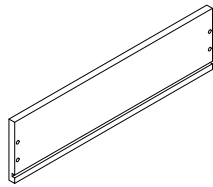
1PCS

21



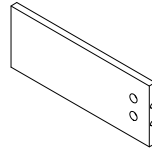
2PCS

22



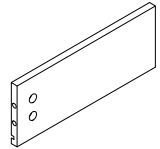
2PCS

23



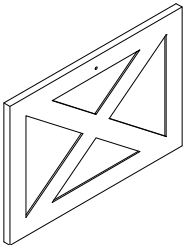
3PCS

24



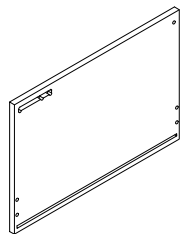
3PCS

25



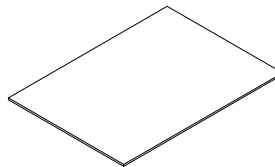
1PCS

26



1PCS

27



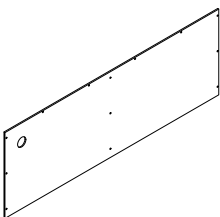
3PCS

28



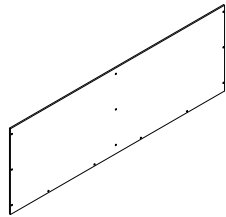
2PCS

29



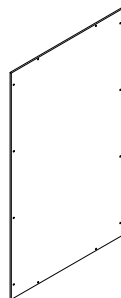
1PCS

30



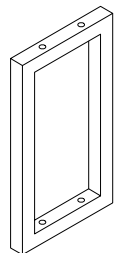
1PCS

31



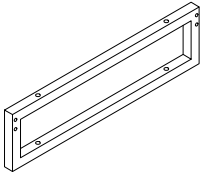
1PCS

32



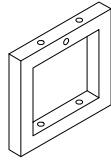
1PCS

33



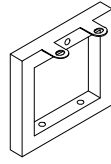
1PCS

34



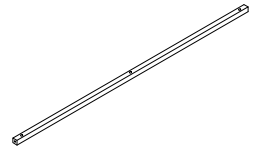
1PCS

35



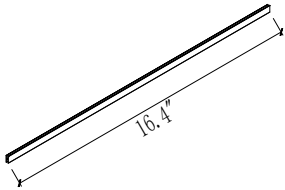
1PCS

36



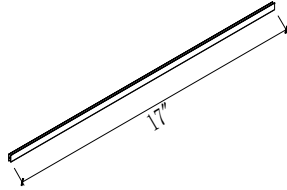
1PCS

37



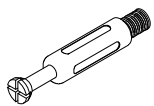
1PCS

38



1PCS

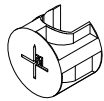
A



M6\*40

46+4PCS

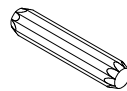
B



φ15\*9.3mm

46+4PCS

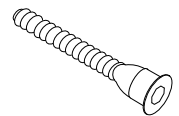
C



φ6\*30mm

20+2PCS

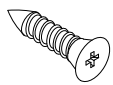
D



M5\*38

22+2PCS

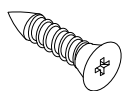
E



M3\*12

36+4PCS

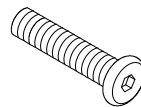
F



M3\*14

40+4PCS

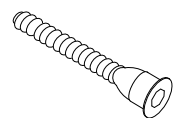
G



M6\*20

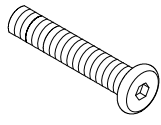
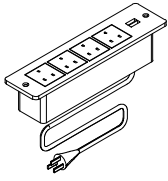
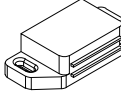
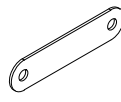
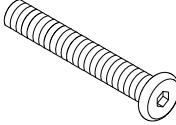
8+1PCS

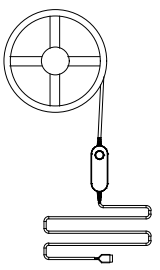
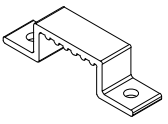
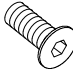
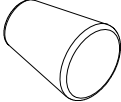
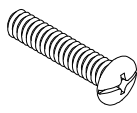
H

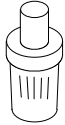
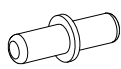
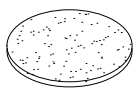
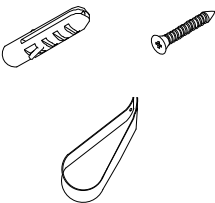


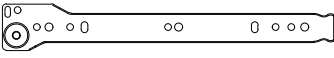
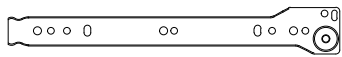
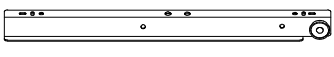
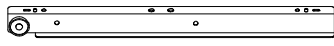
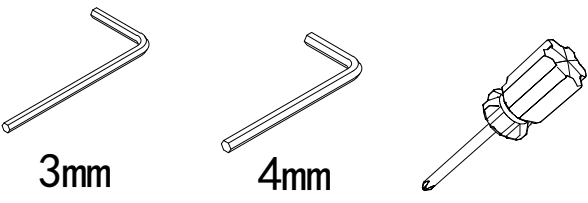
M5\*48

4+1PCS

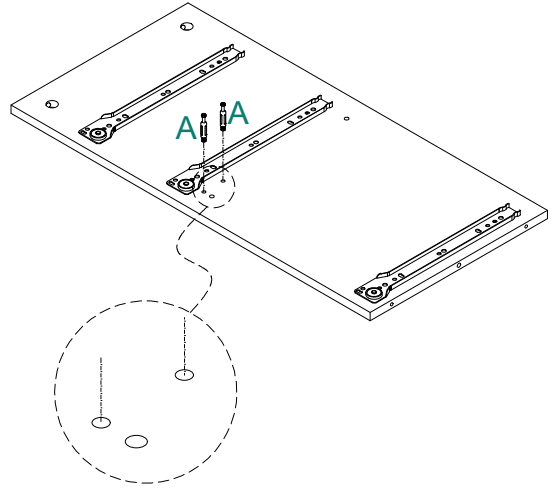
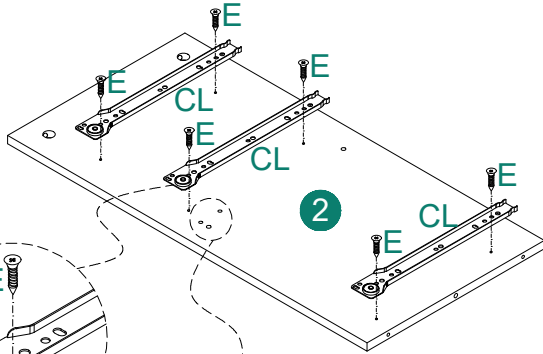
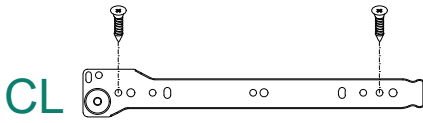
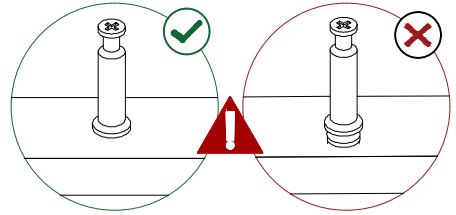
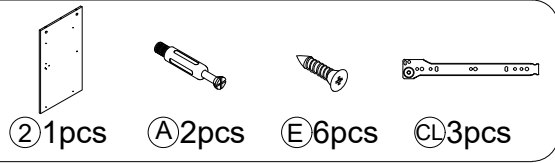
<p><b>I</b></p>  <p>M6*28</p> <p>17+2PCS</p>	<p><b>J</b></p>  <p>2m</p> <p>1PCS</p>	<p><b>K</b></p> <p>K1 </p> <p>K2 </p> <p>1PCS</p>	<p><b>L</b></p>  <p>M6*40</p> <p>2+1PCS</p>
---	---	---	--

<p><b>M</b></p>  <p>1.1m</p> <p>1PCS</p>	<p><b>N</b></p>  <p>4+1PCS</p>	<p><b>O</b></p>  <p>M6*10</p> <p>2+1PCS</p>	<p><b>P</b></p> <p>P1 </p> <p>P2 </p> <p>M4*18</p> <p>4PCS</p>
---	---	---	--

<p><b>Q</b></p>  <p>2+1PCS</p>	<p><b>R</b></p>  <p>∅5*20mm</p> <p>4+1PCS</p>	<p><b>S</b></p>  <p>16+2PCS</p>	<p><b>T</b></p>  <p>1PCS</p>
---	--	---	---

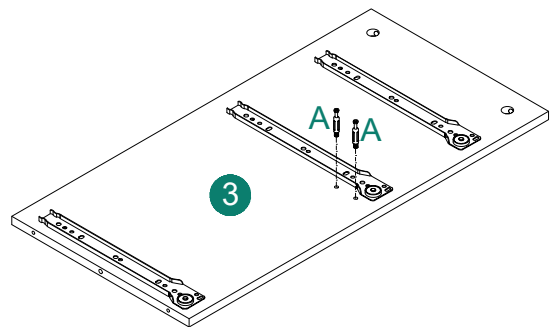
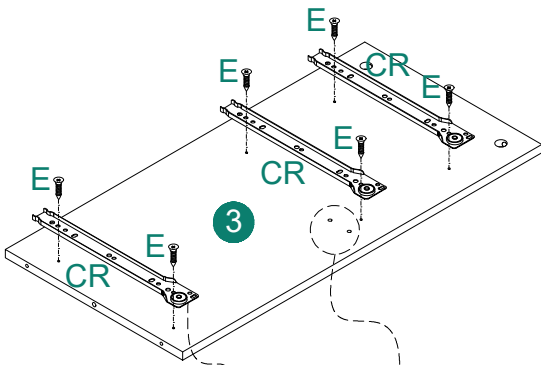
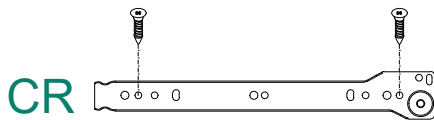
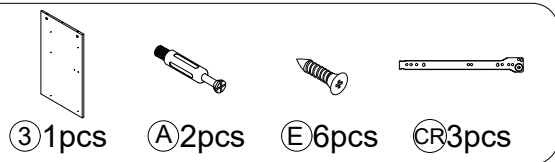
<p><b>CL</b> </p> <p><b>CR</b> </p> <p><b>DL</b> </p> <p><b>DR</b> </p> <p>L: 10"</p> <p>3PCS</p>	 <p>3mm</p> <p>4mm</p>
---	--

# 1



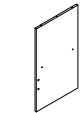
Please pay attention to the direction: These three holes and the rollers are on the same side

# 2

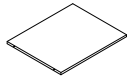


Please pay attention to the direction: These two holes and the rollers are on the same side

# 3



① 1pcs

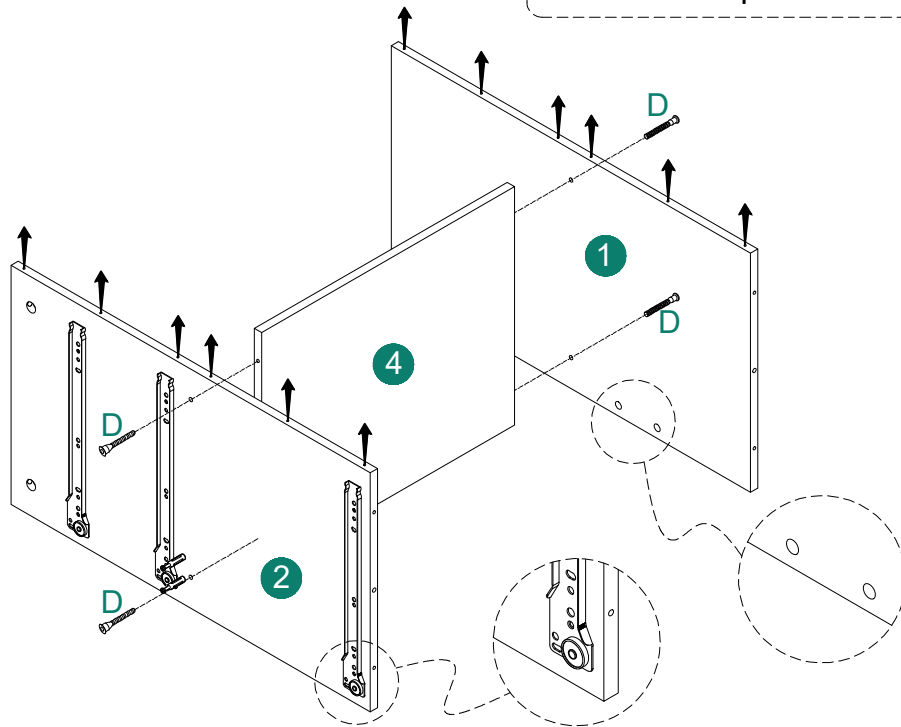


④ 1pcs

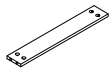


③ D 4pcs

Please note that the holes should face upwards



# 4

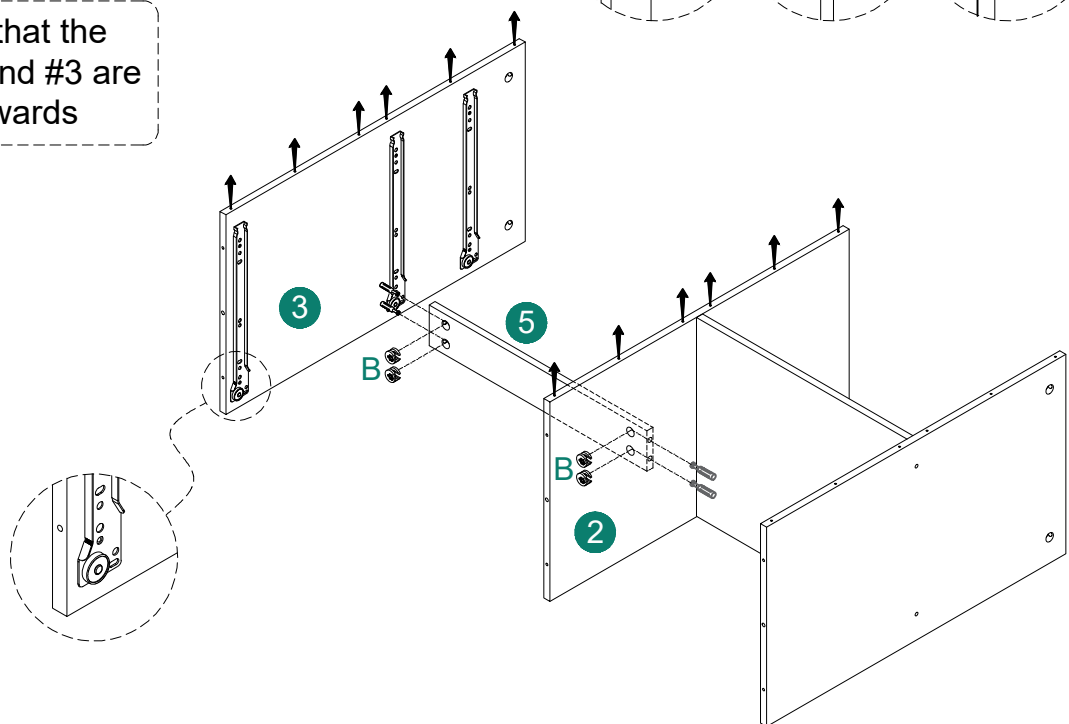
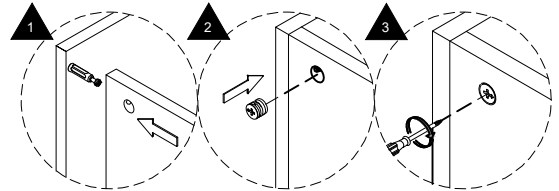


⑤ 1pcs

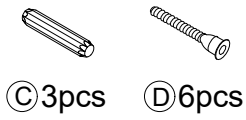


⑥ B 4pcs

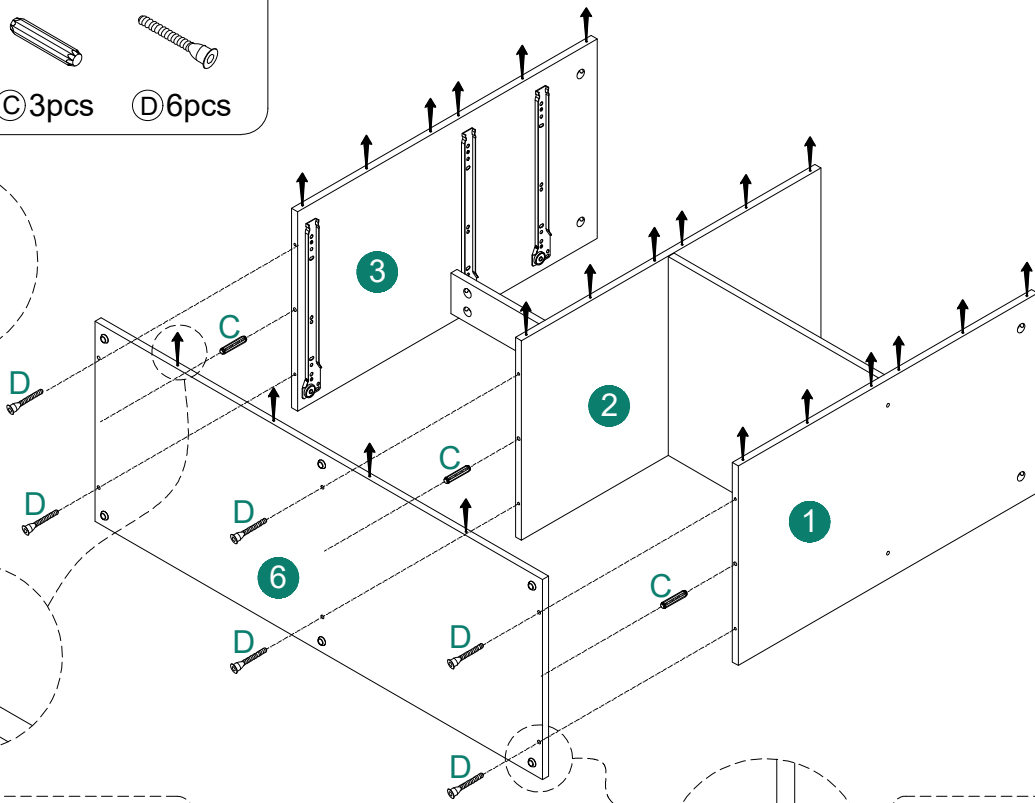
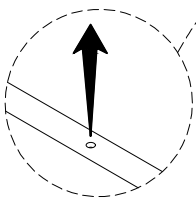
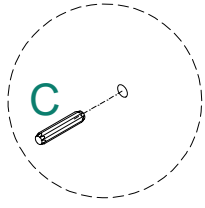
Please note that the holes in #2 and #3 are all facing upwards



# 5



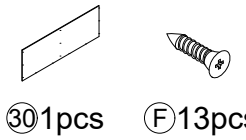
Ⓒ3pcs Ⓓ6pcs



Please note that all the holes here are facing upwards

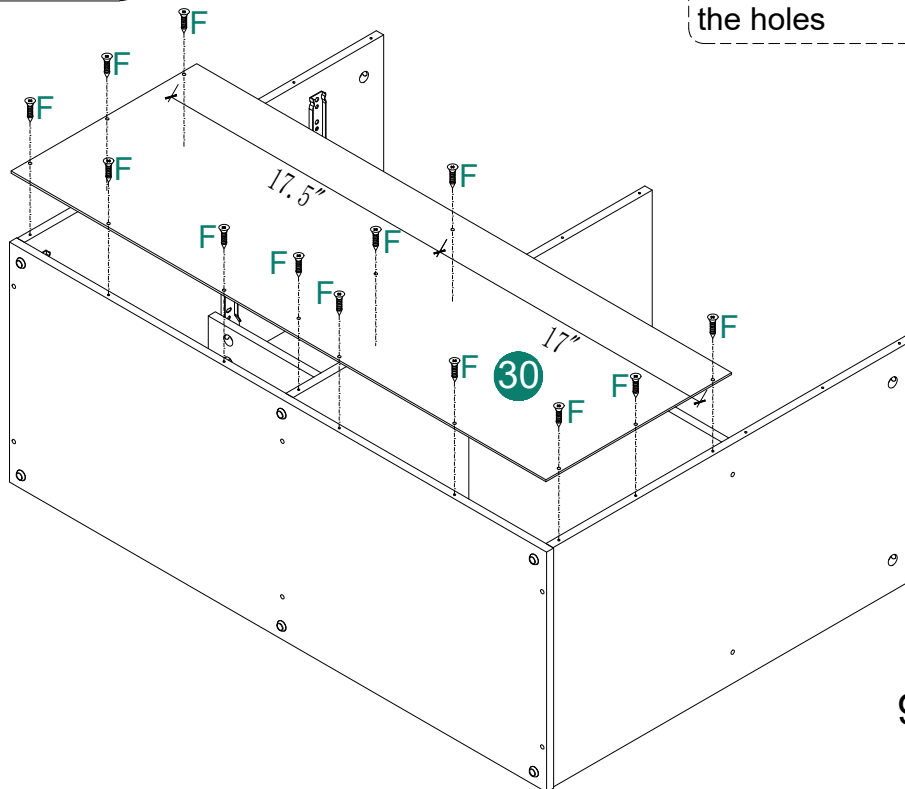
Please note that the foot spikes are on the outside

# 6

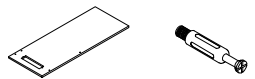


③01pcs Ⓕ13pcs

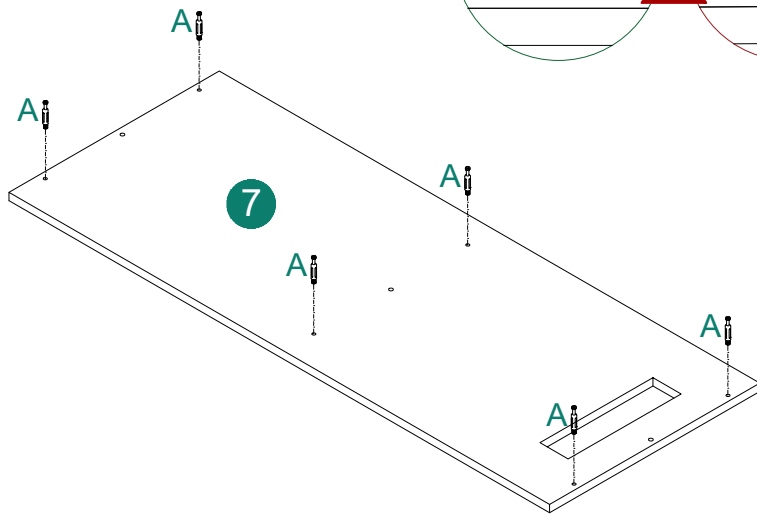
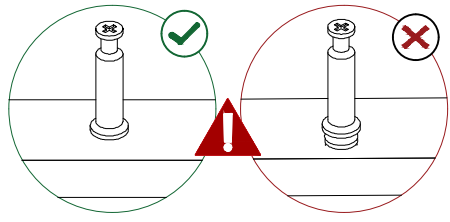
Please pay attention to the distance between the holes




**7**



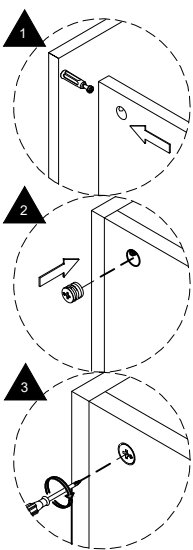
⑦ 1pcs    ①A 6pcs



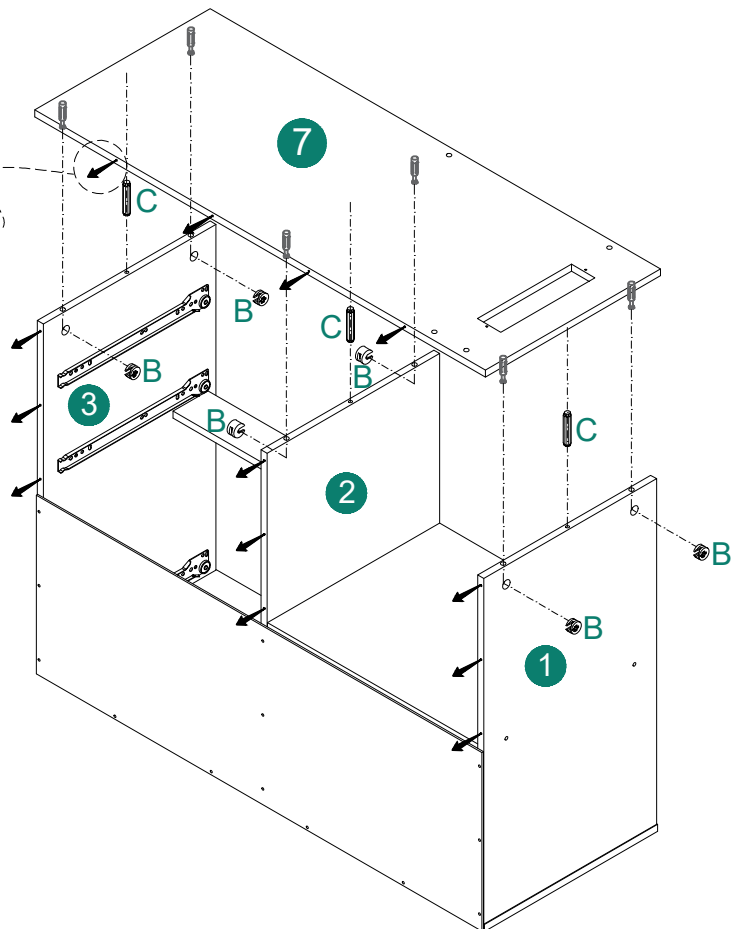
**8**



⑧ 6pcs    ③C 3pcs



Please note that all the holes are facing outward



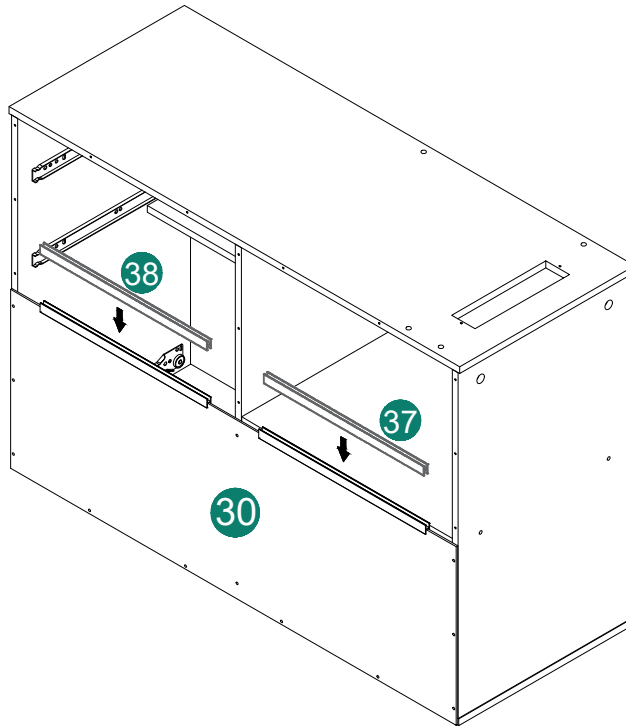
# 9



37 1 pcs



38 1 pcs



# 10

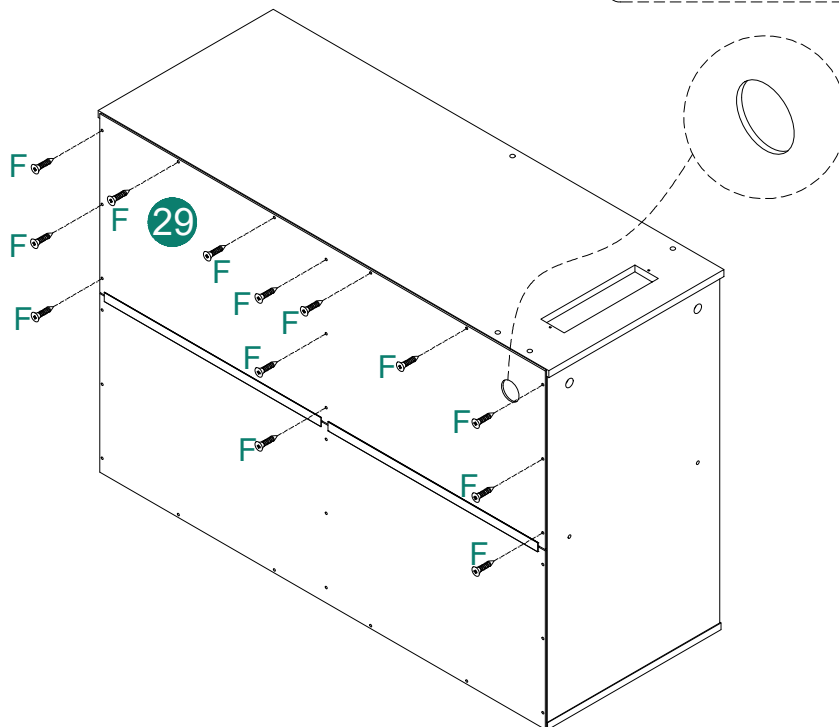


29 1 pcs

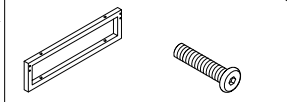


F 13 pcs

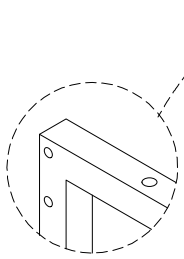
Please note that the circular holes and the square holes are on the same side



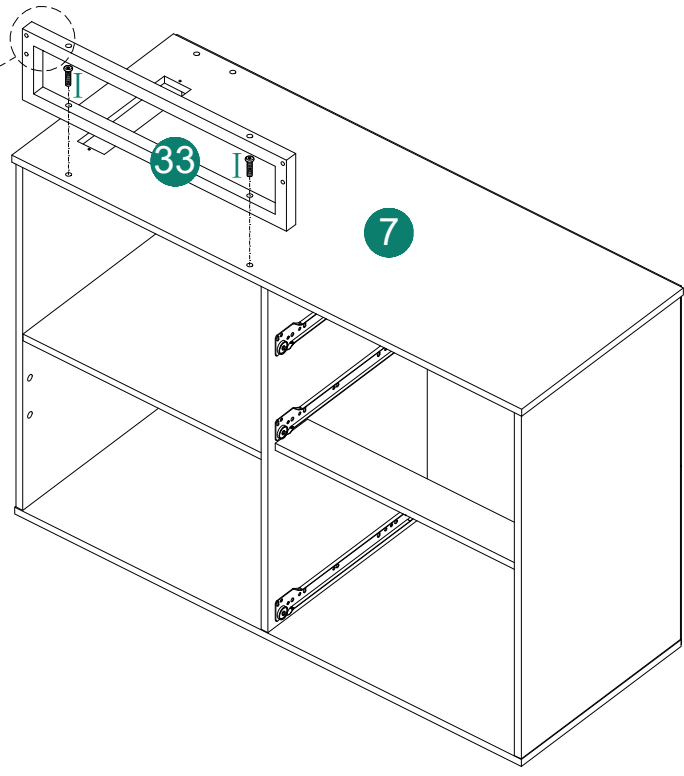
**11**



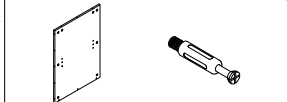
③③ 1pcs    ① 2pcs



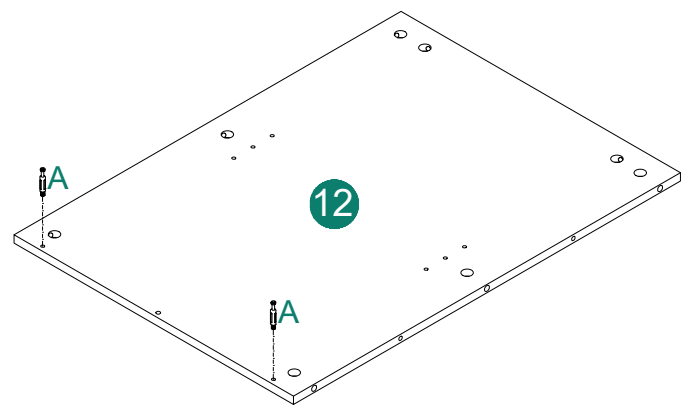
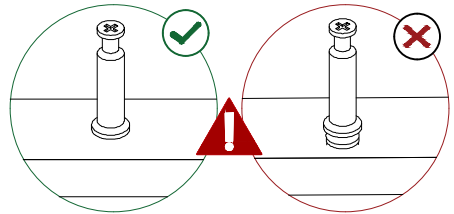
Please note that these three holes are on the upper side



**12**

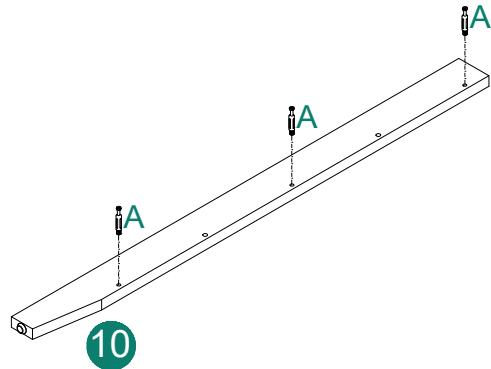
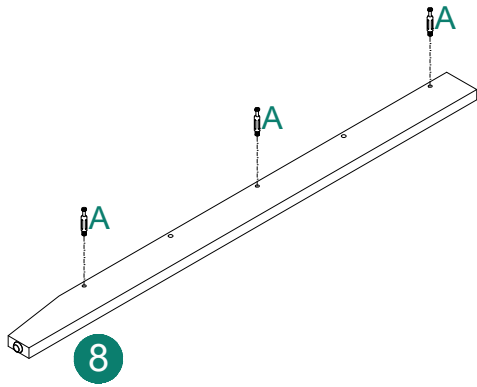
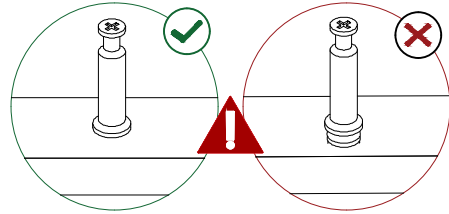
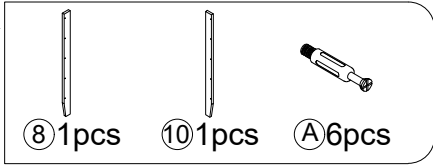


⑫ 2pcs    Ⓐ 4pcs

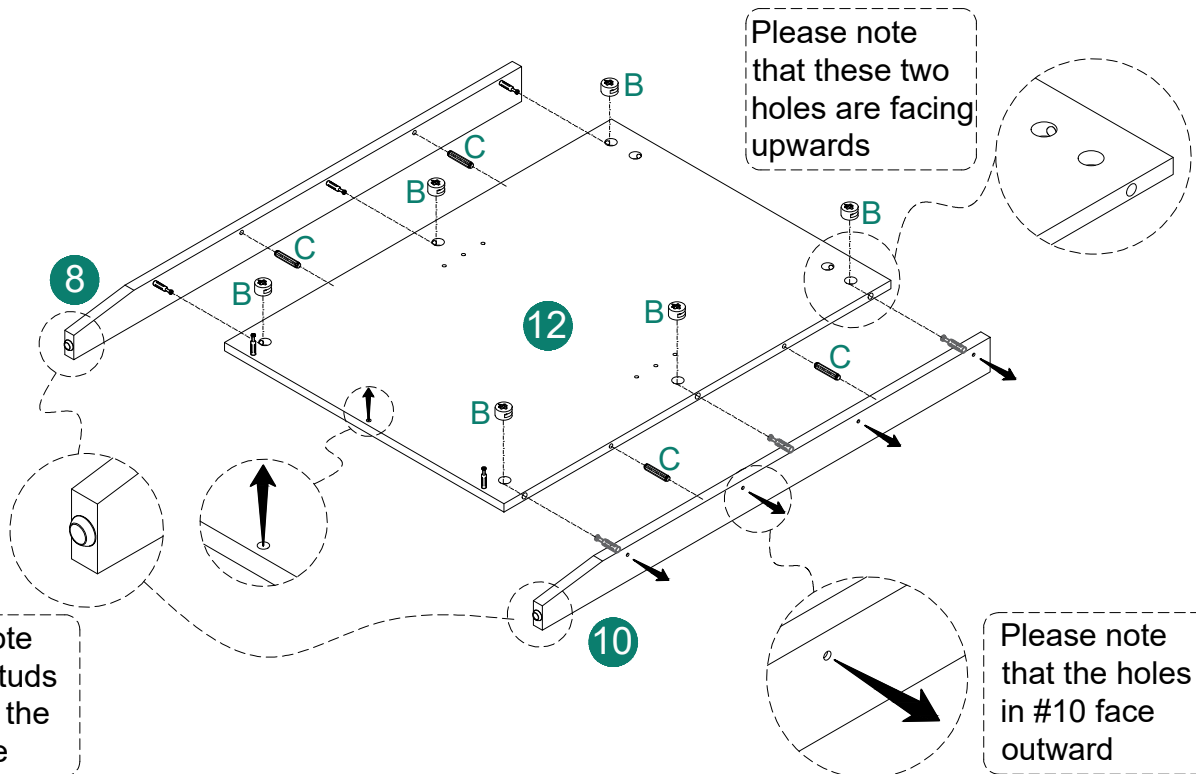
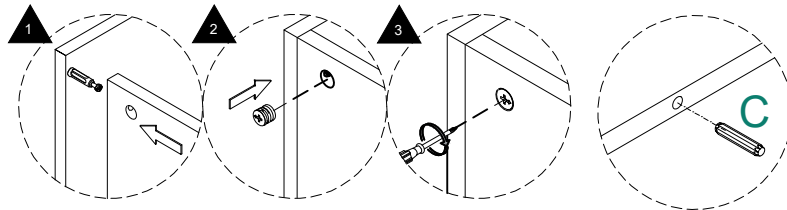
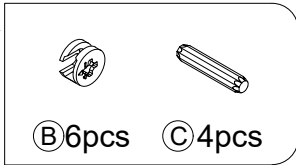


x2

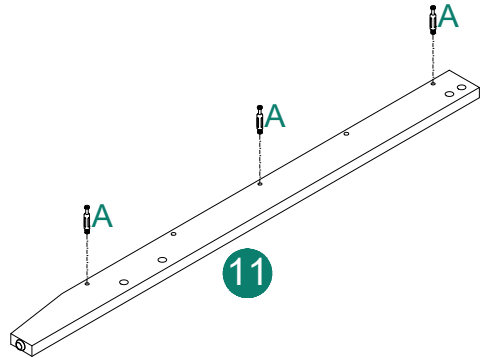
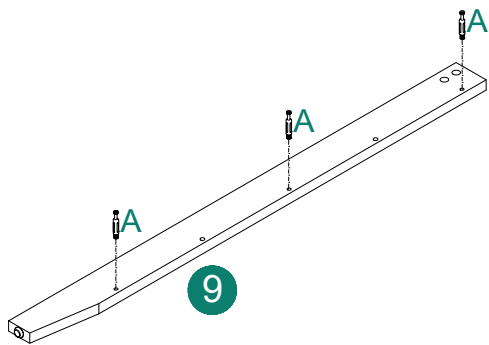
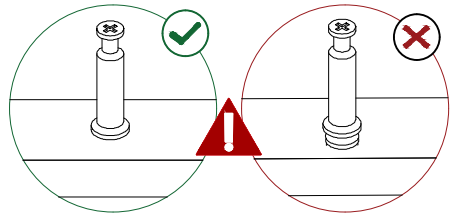
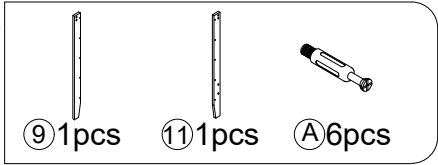
# 13



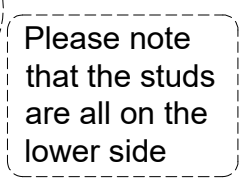
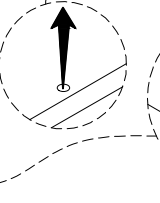
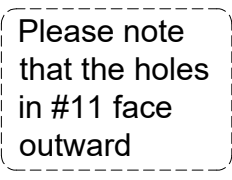
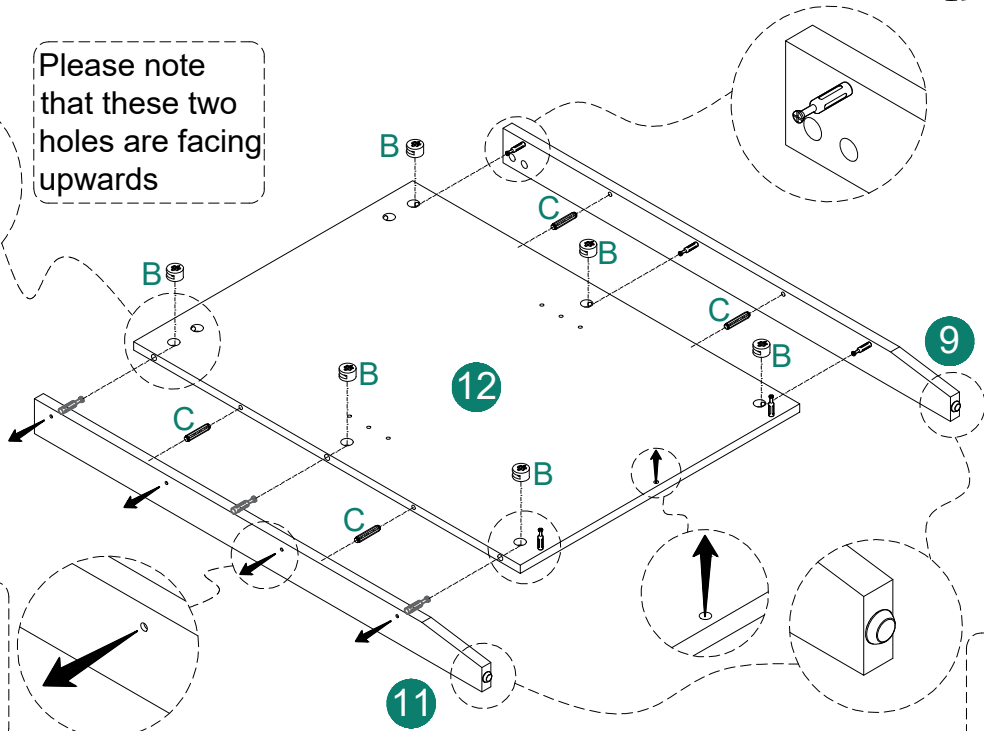
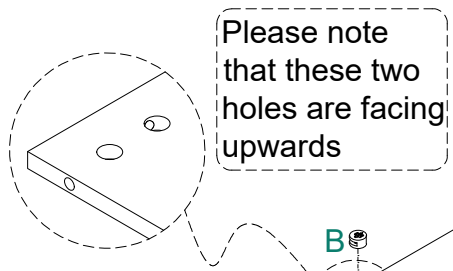
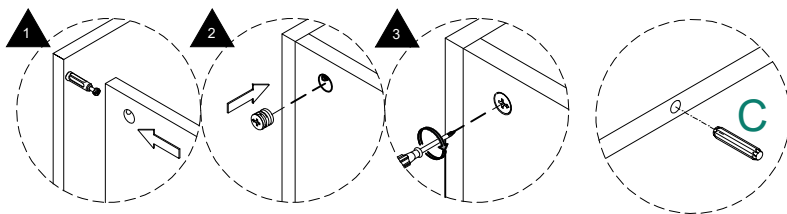
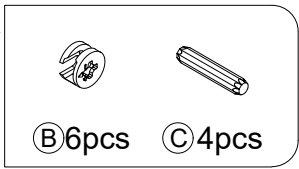
# 14



# 15

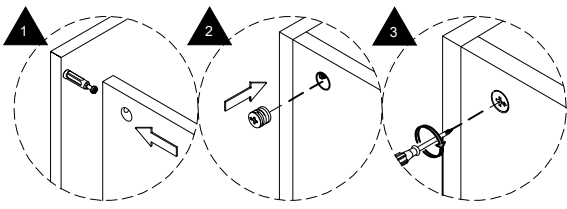


# 16

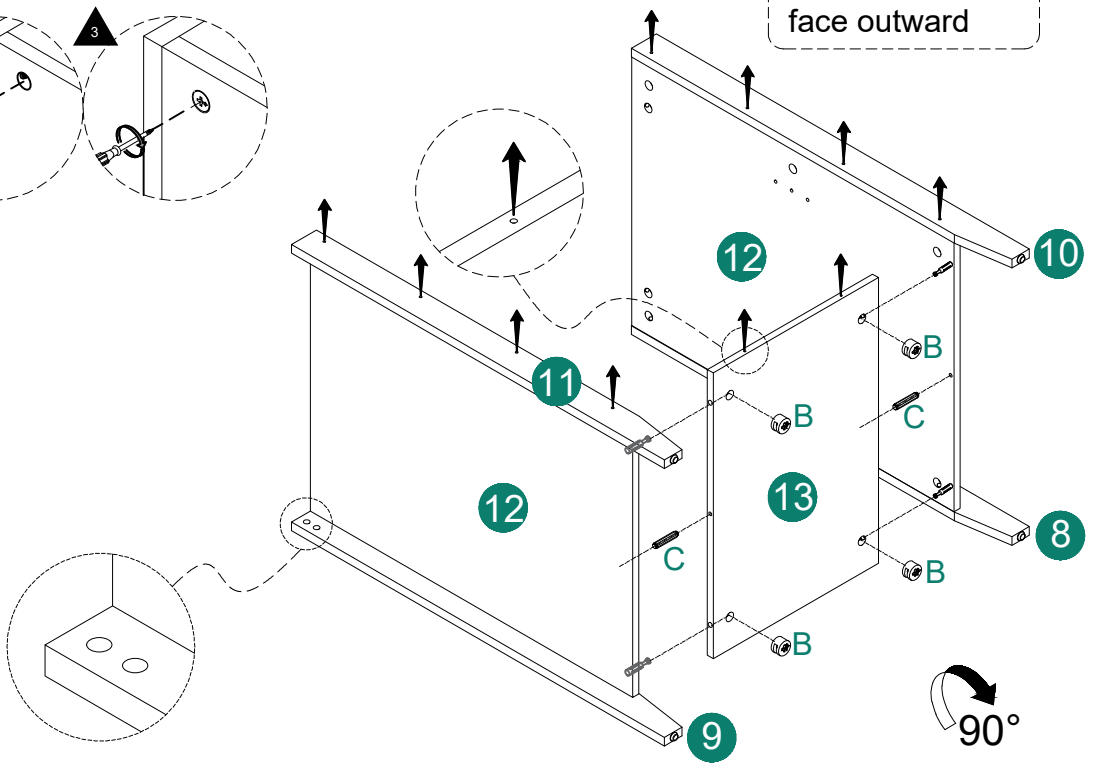


**17**

⑬1pcs    ②4pcs    ③2pcs



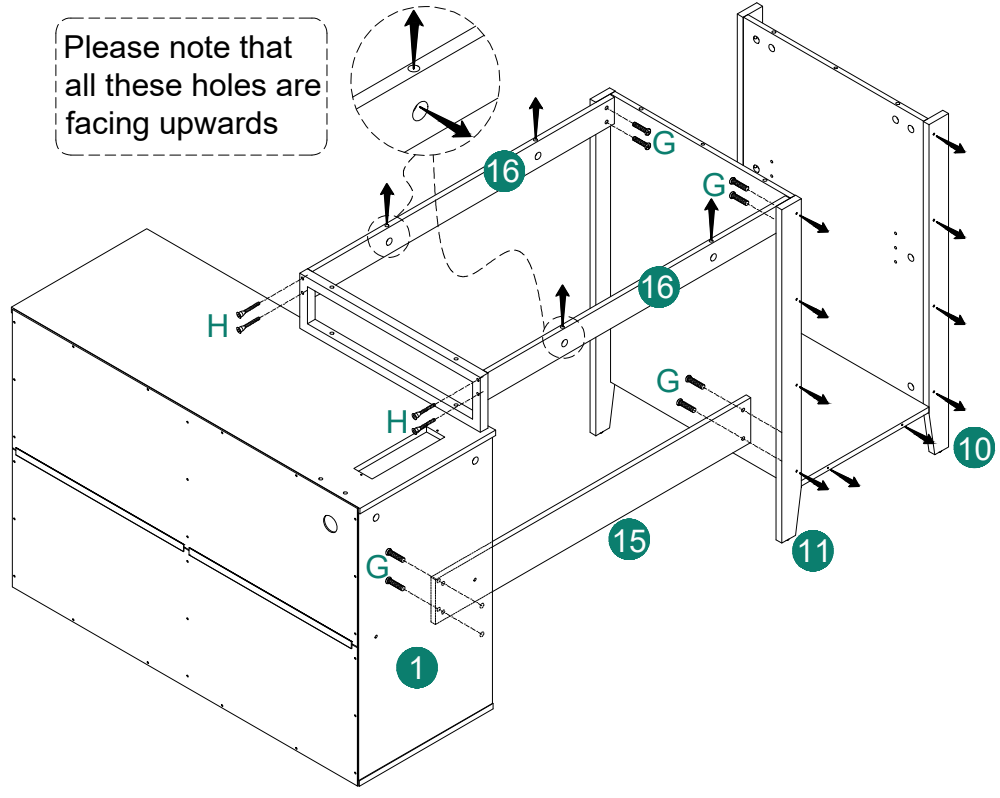
Please note that all these holes face outward



**18**

⑮1pcs    ⑯2pcs    ⑧8pcs    ④4pcs

Please note that all these holes are facing upwards



# 19



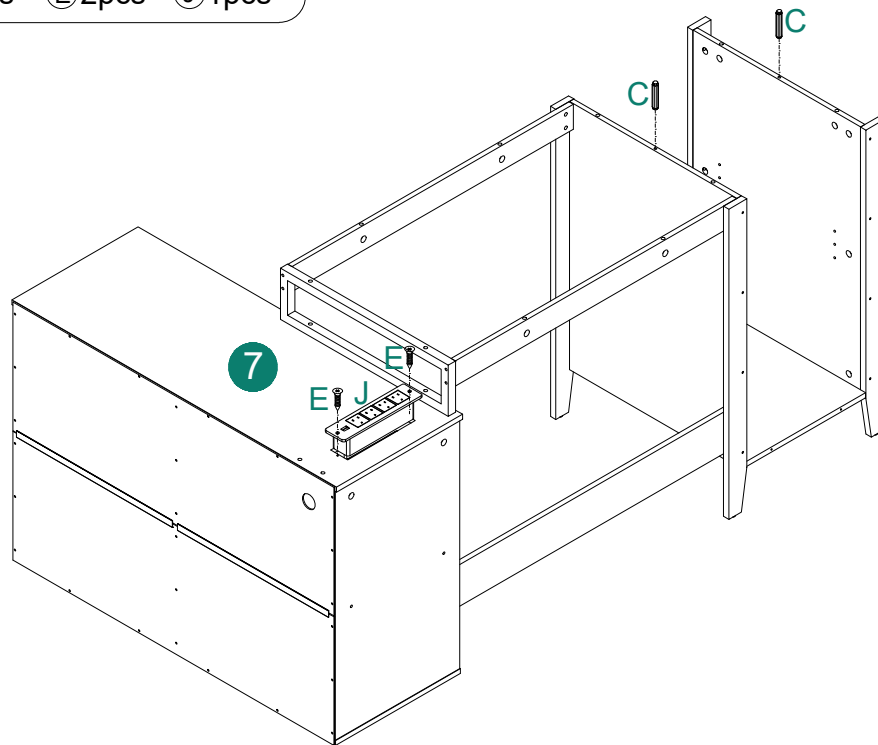
Ⓒ 2pcs



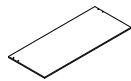
Ⓔ 2pcs



Ⓙ 1pcs



# 20



Ⓣ 17pcs



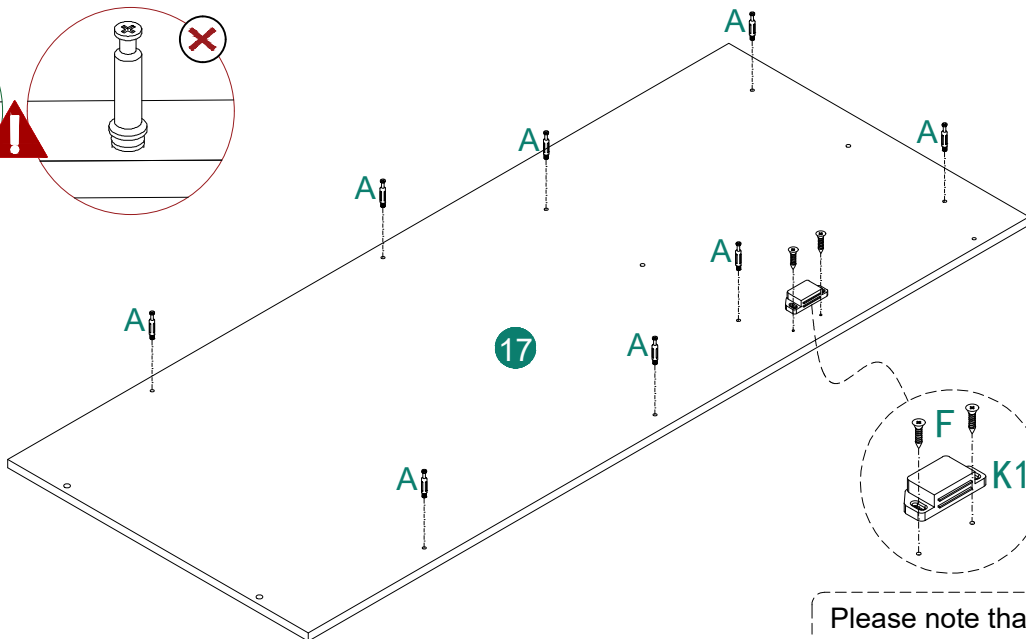
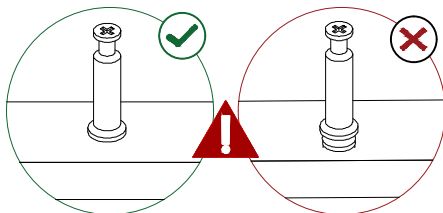
Ⓐ 8pcs



Ⓕ 2pcs



Ⓚ 1pcs



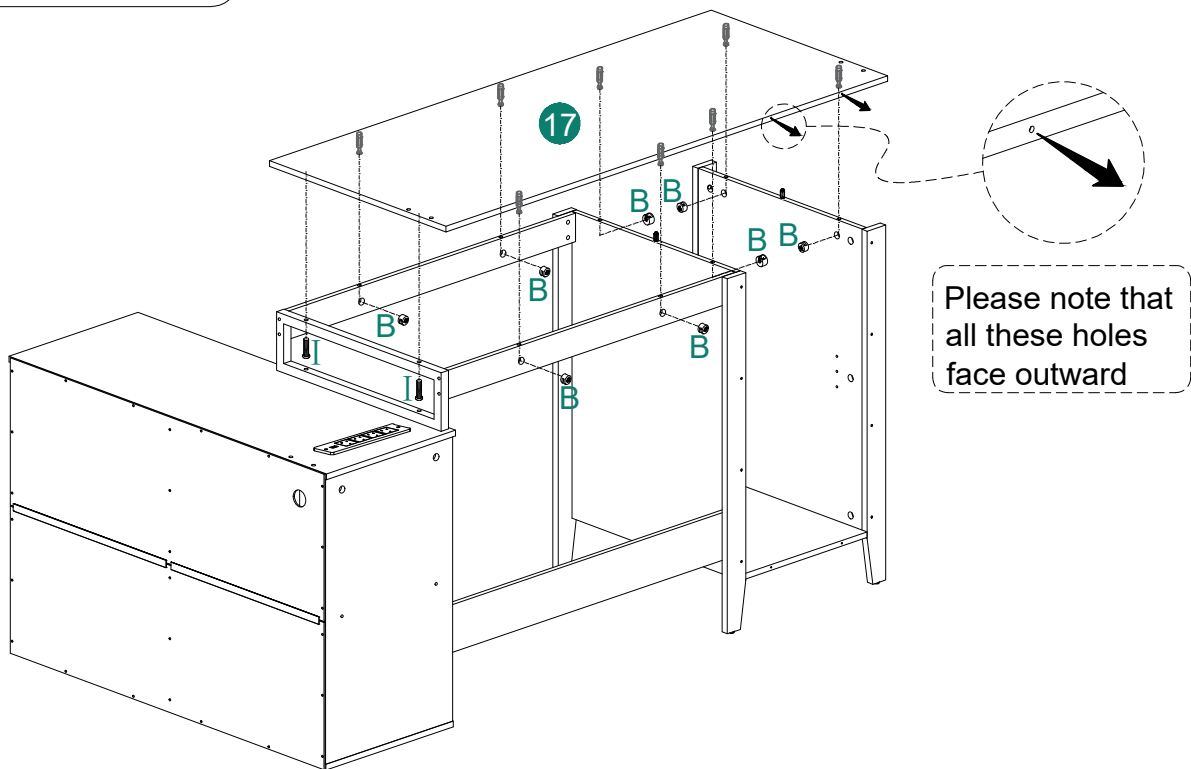
Please note that the magnet is facing outwards

# 21



Ⓑ 8pcs

Ⓘ 2pcs

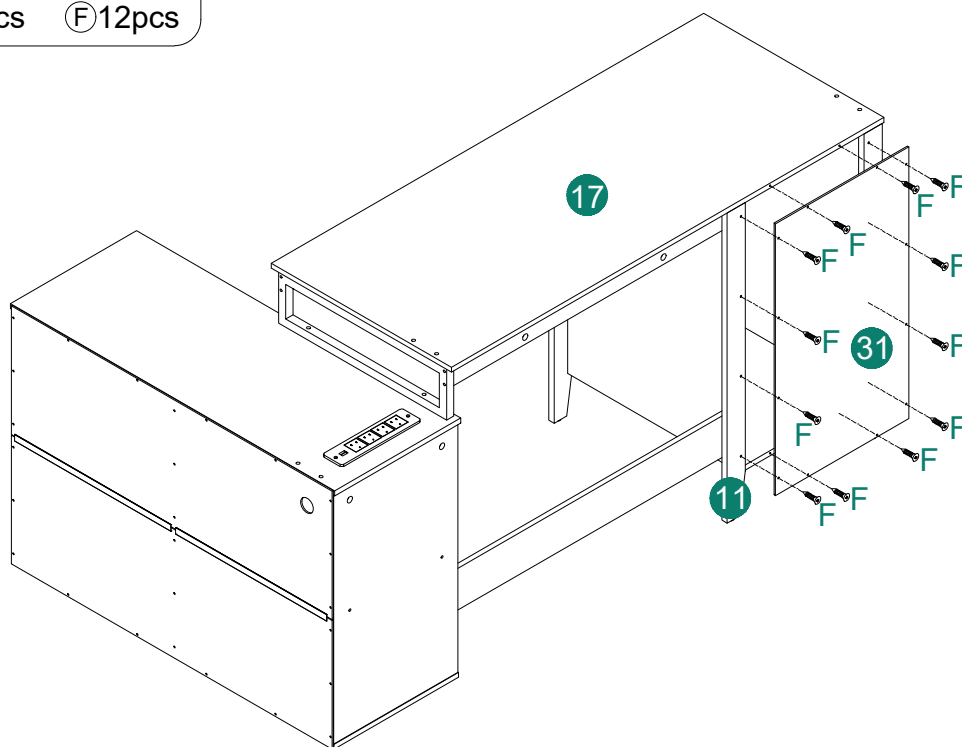


# 22



⓫ 1pcs

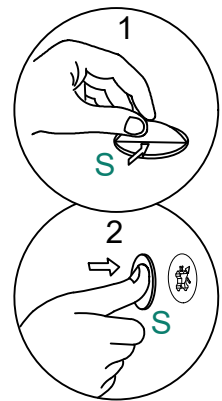
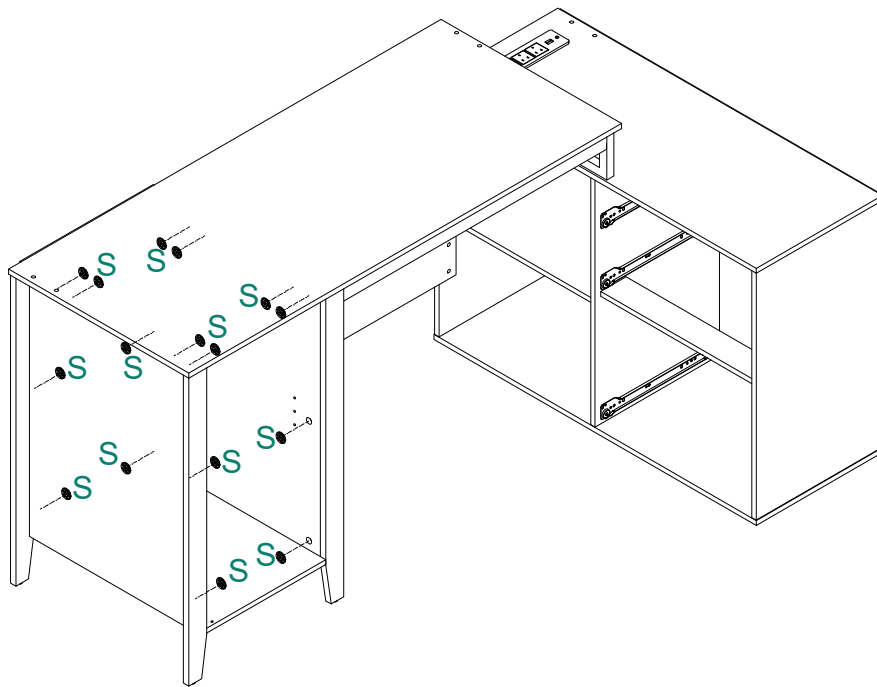
Ⓕ 12pcs



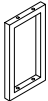
# 23



Ⓢ16pcs



# 24



③21pcs



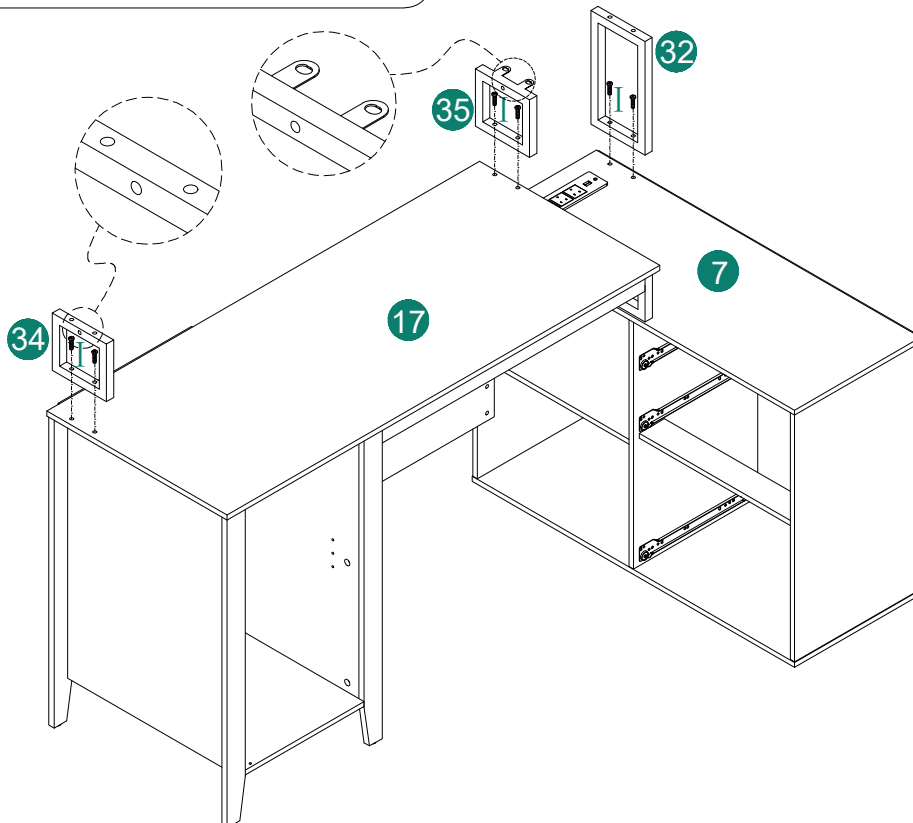
③41pcs



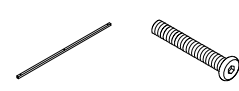
③51pcs



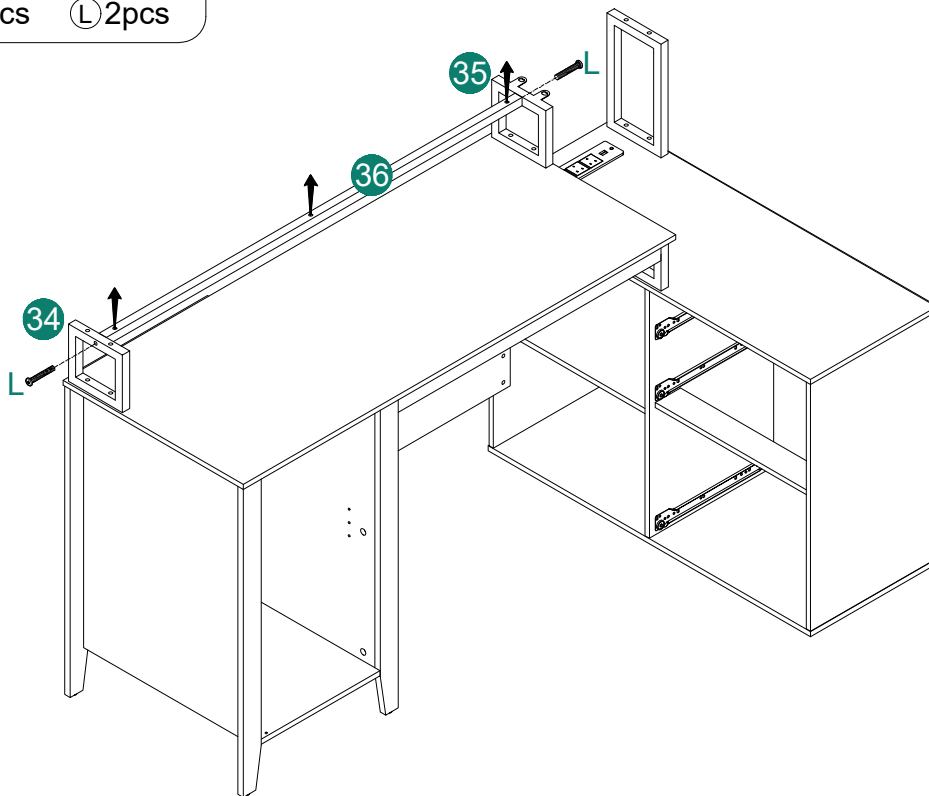
①6pcs



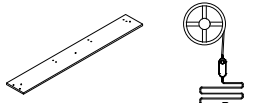
**25**



③⑥ 1pcs    ① 2pcs



**26**

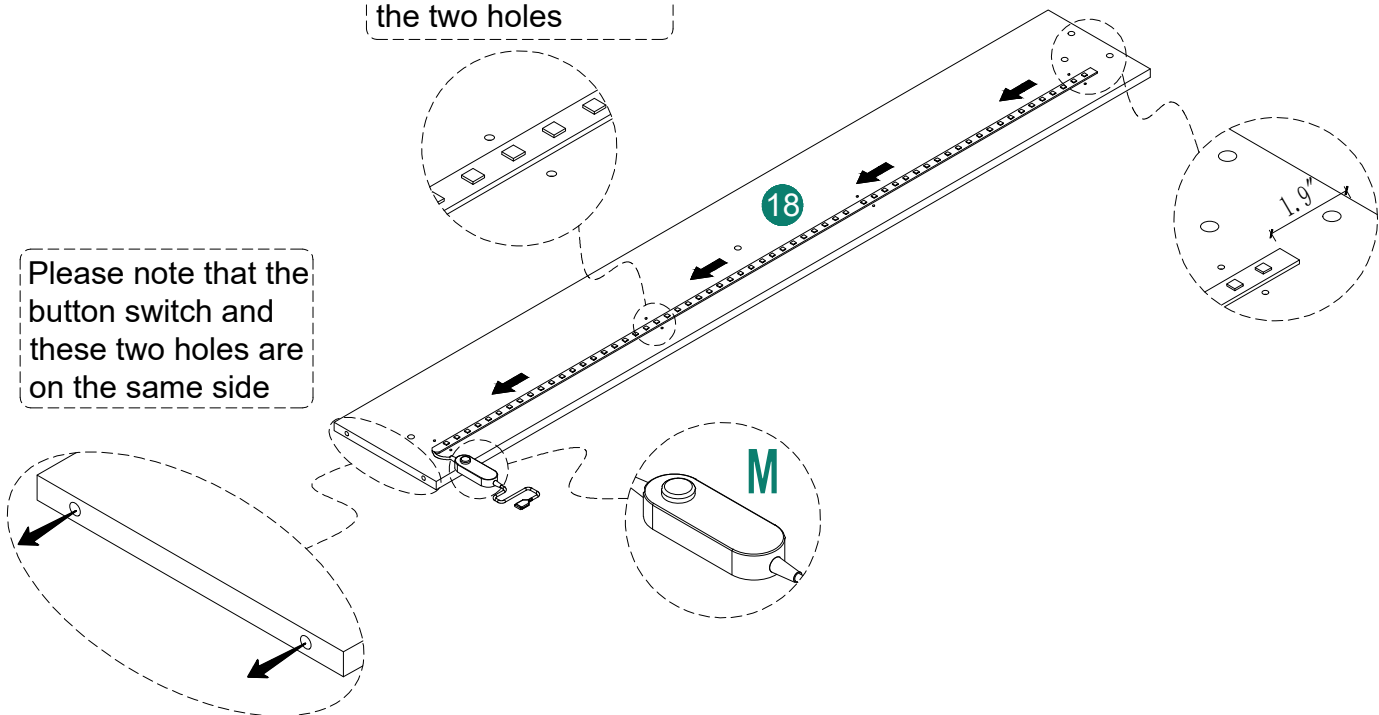


①⑧ 1pcs    ① 1pcs

The light strip should be attached between the two holes



Please note that the button switch and these two holes are on the same side

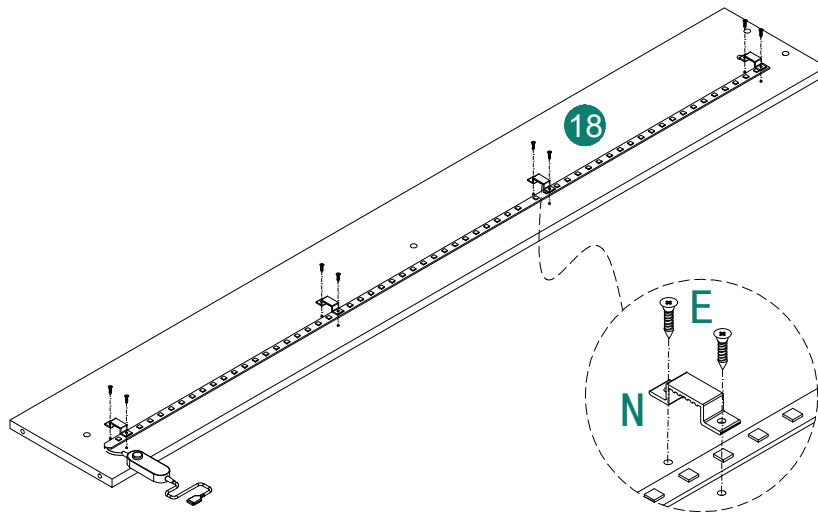


27



ⓔ 8pcs

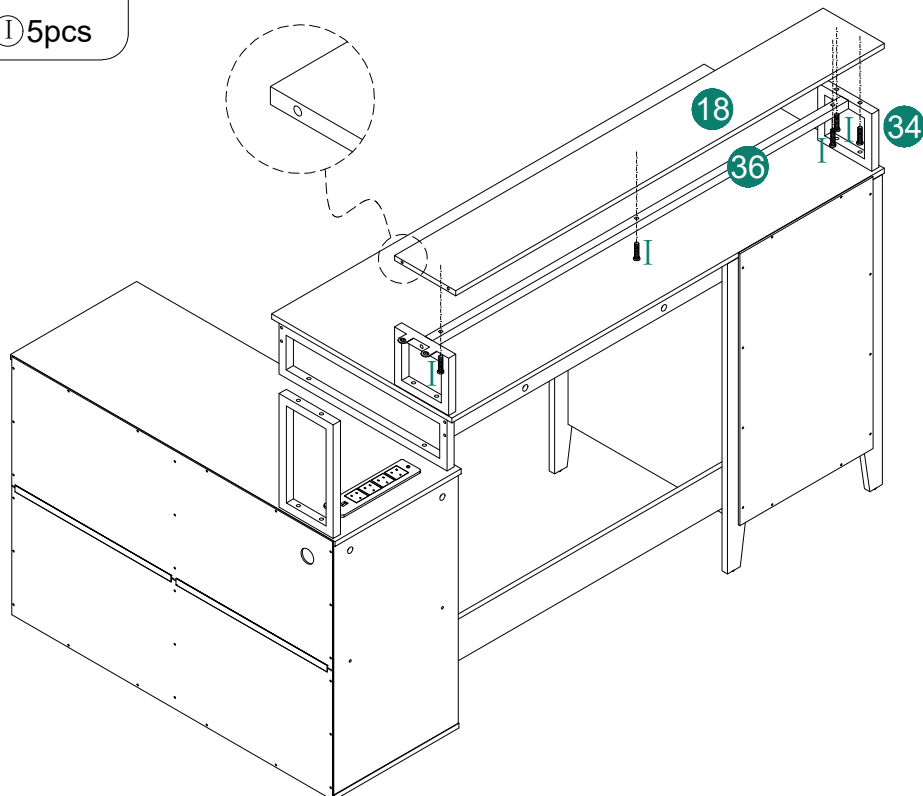
Ⓝ 4pcs



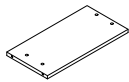
28



Ⓢ 5pcs



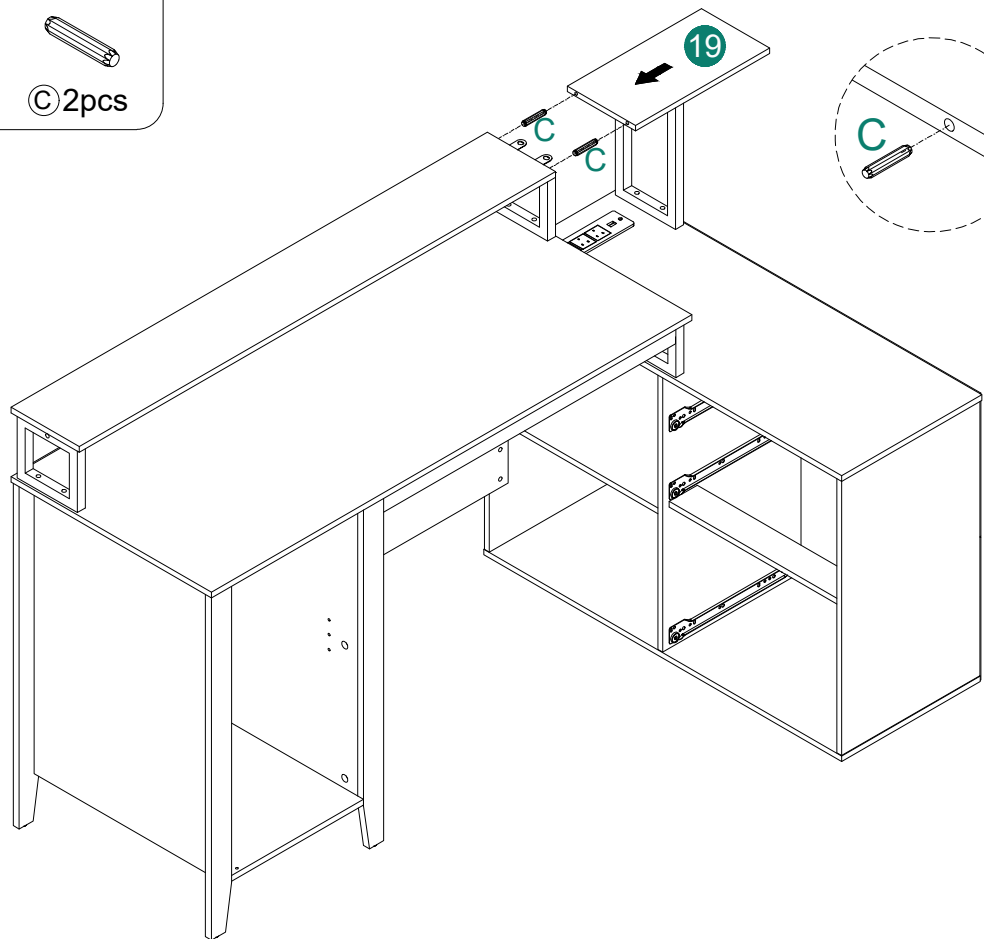
29



①9 1pcs



Ⓒ 2pcs



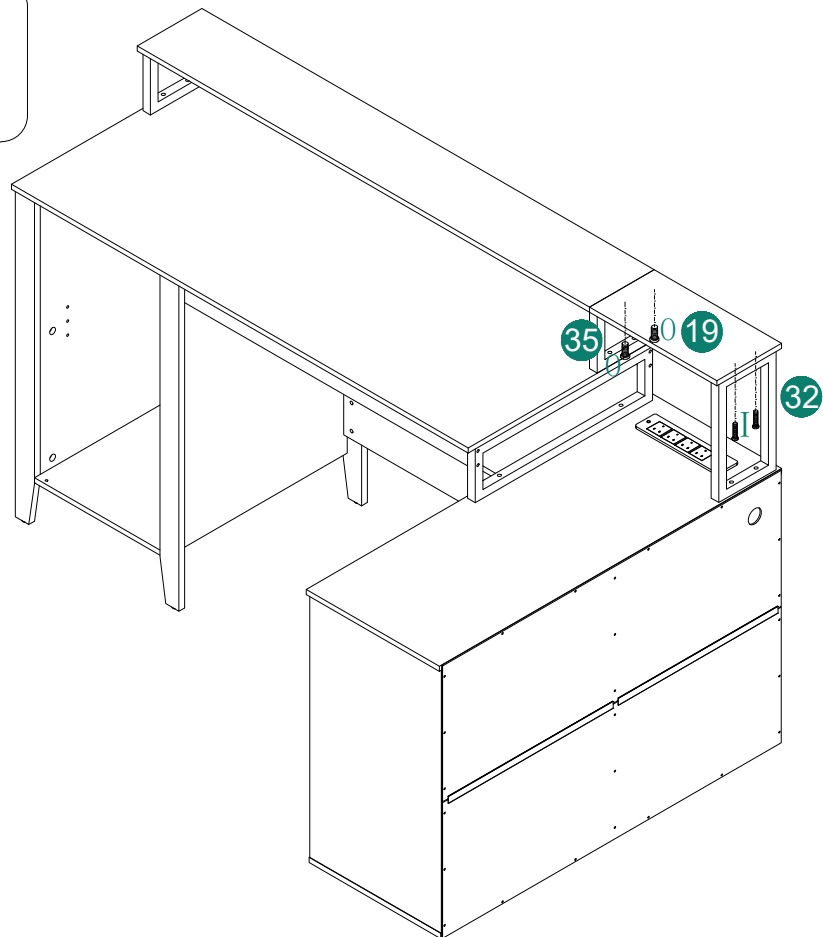
30



① 2pcs

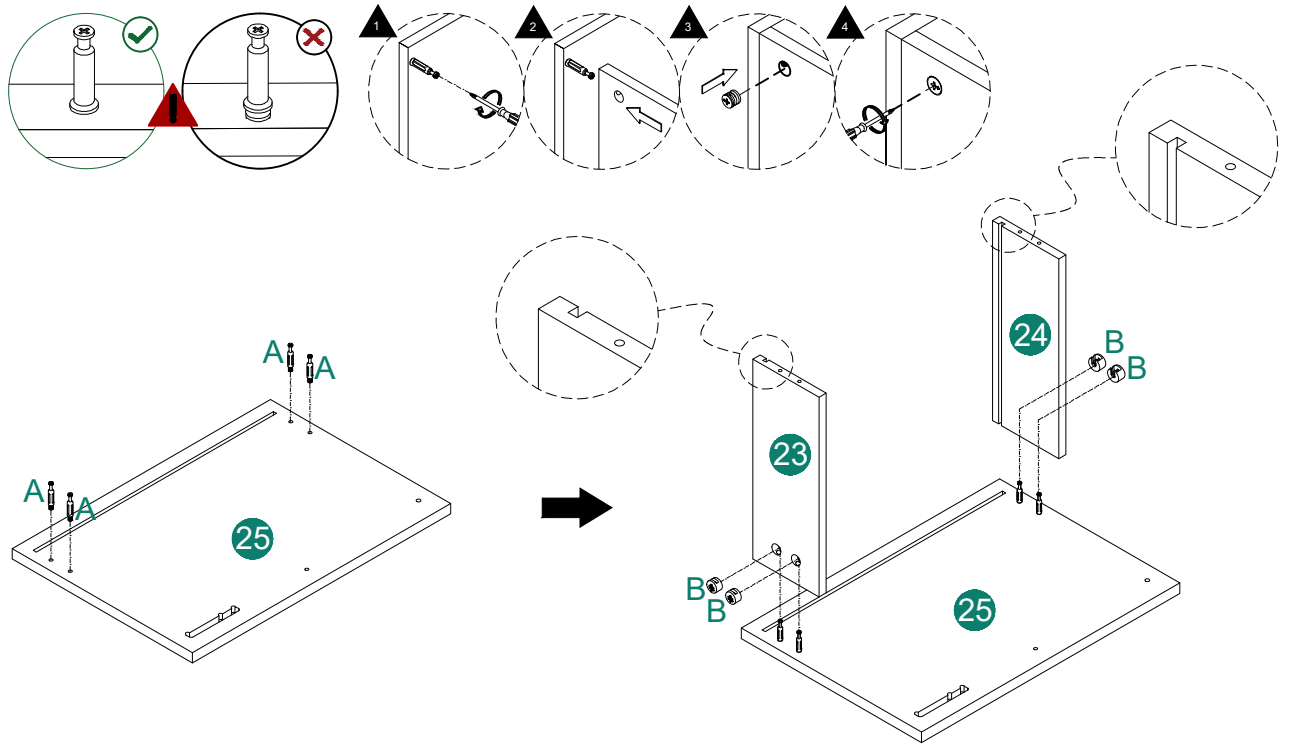


① 2pcs



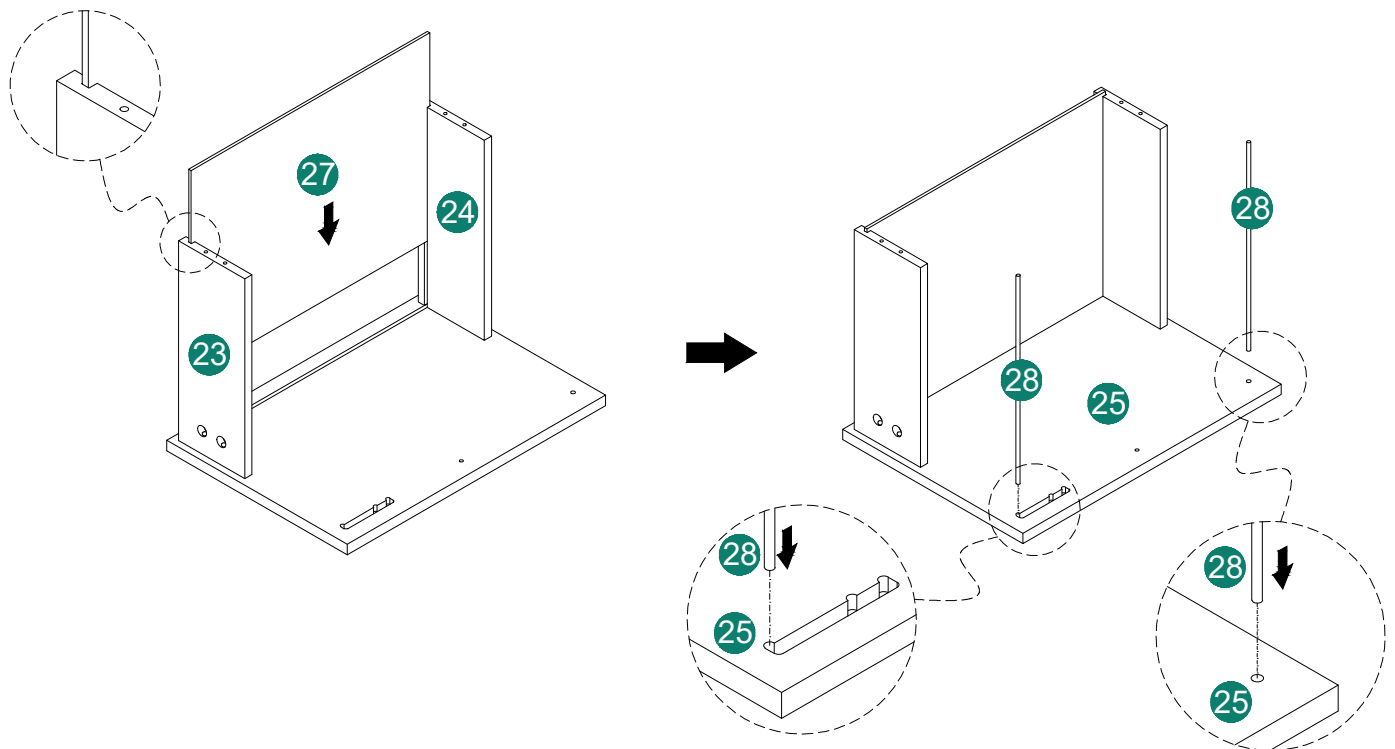
# 31

- ②3 1pcs
- ②4 1pcs
- ②5 1pcs
- Ⓐ 4pcs
- Ⓑ 4pcs

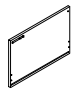





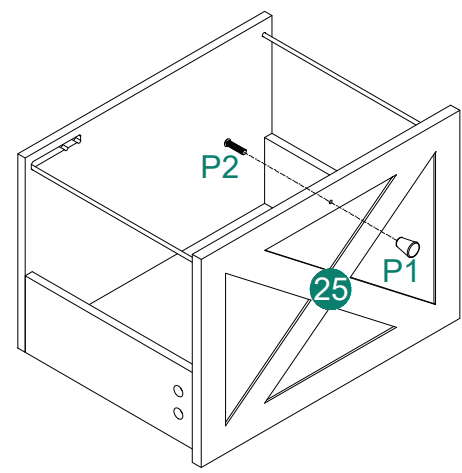
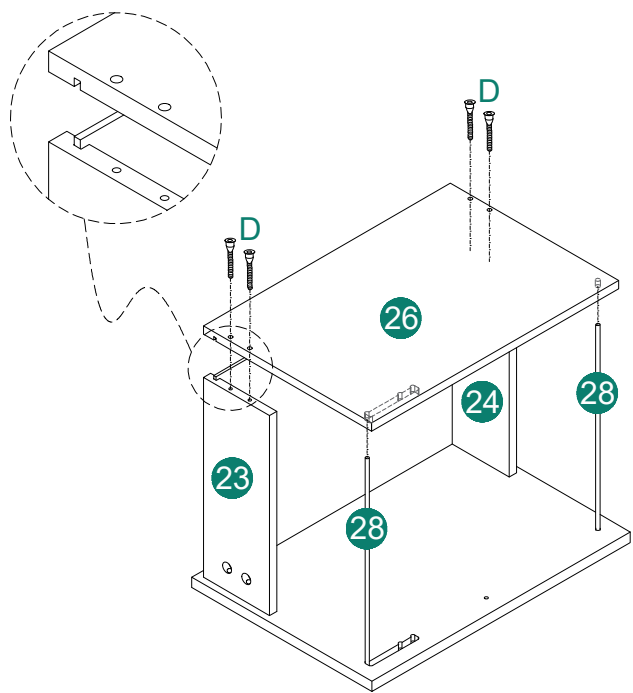
# 32

- ②7 1pcs
- ②8 2pcs






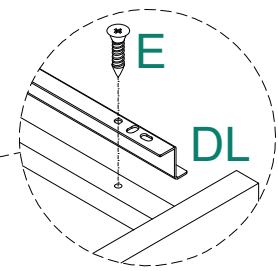
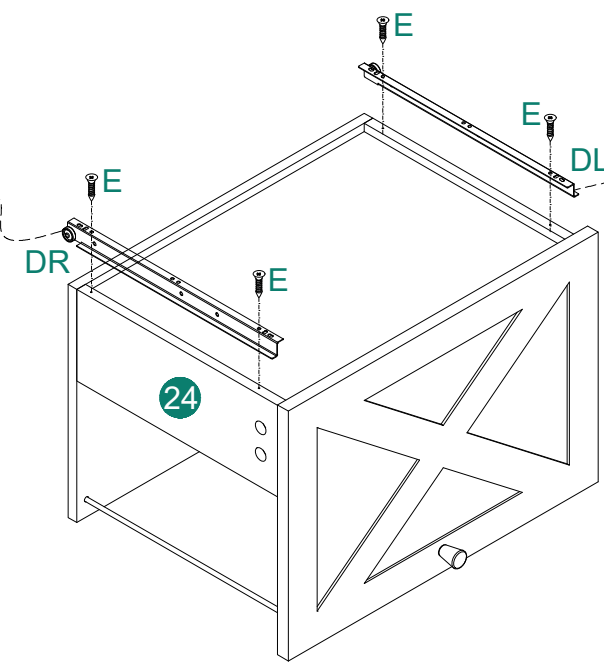
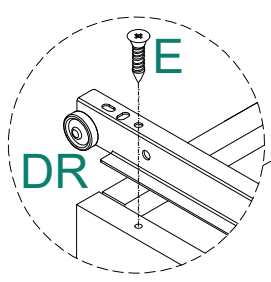
# 33

-  26 1 pcs
-  D 4 pcs
-  P1 1 pcs
-  P2 1 pcs

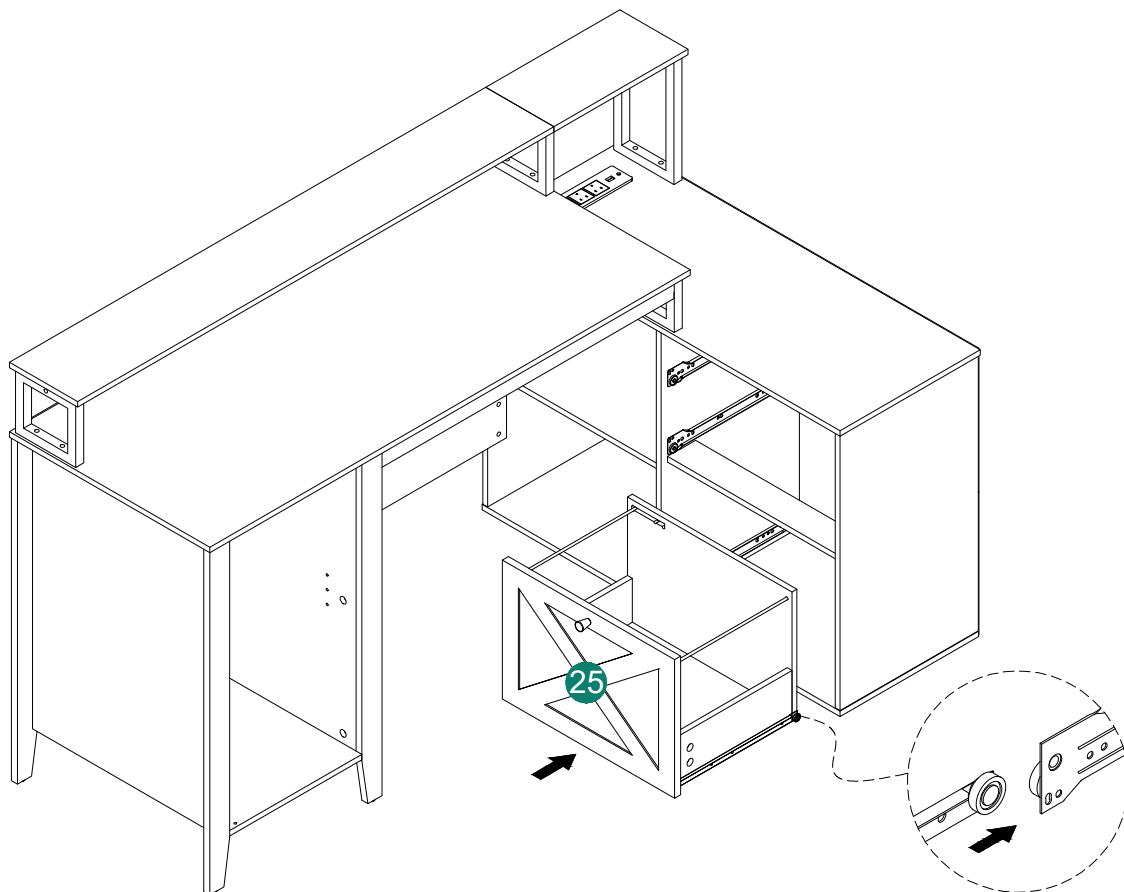


# 34

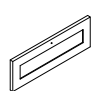
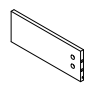
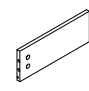


-  E 4 pcs
-  DL 1 pcs
-  DR 1 pcs

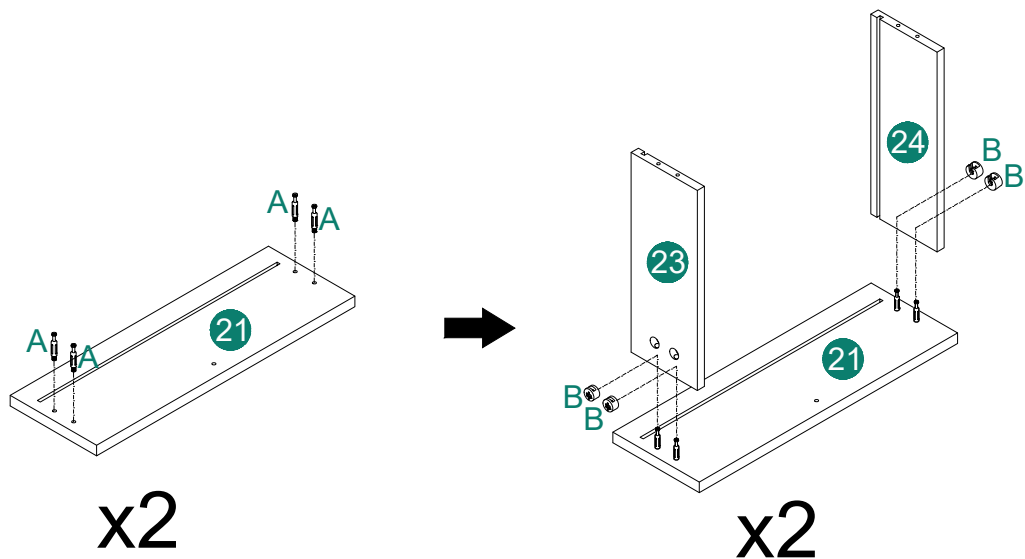
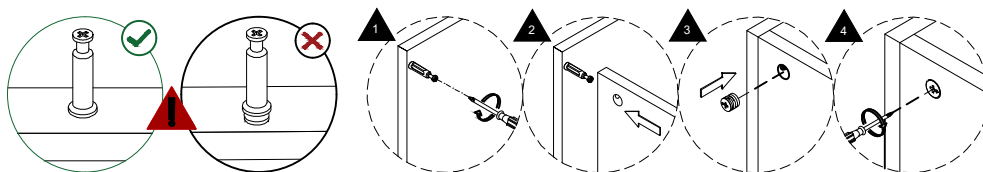


# 35



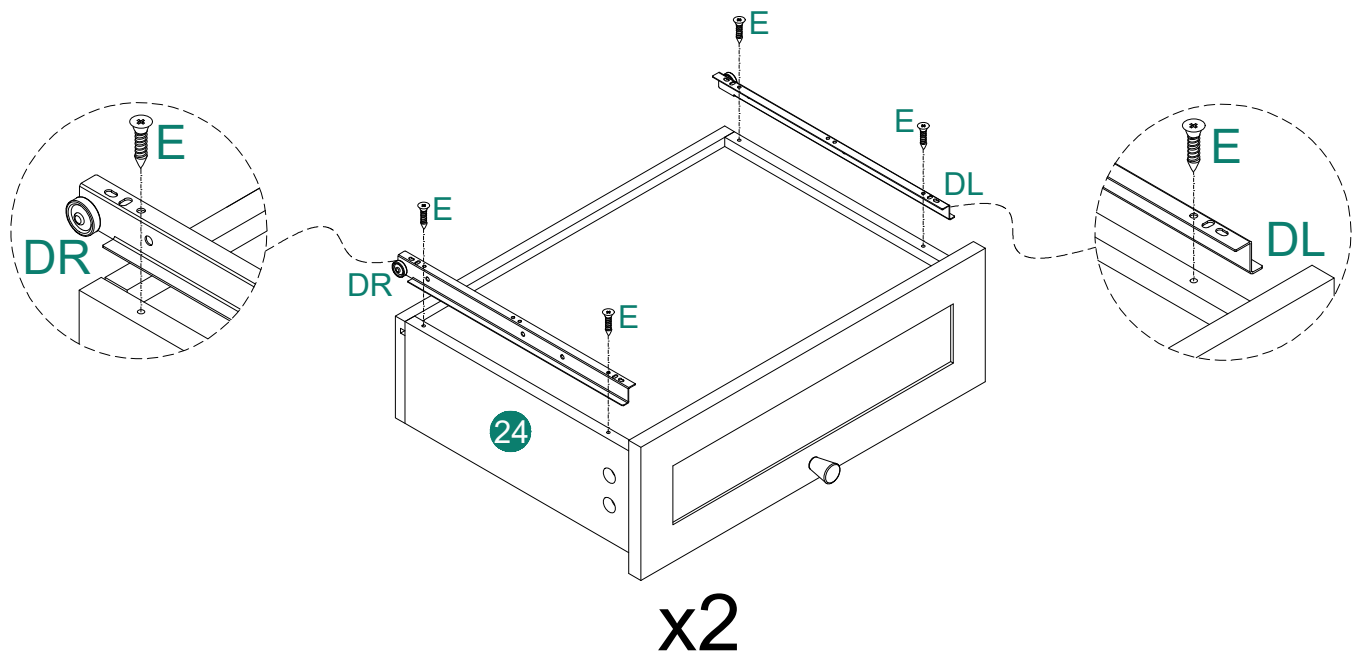
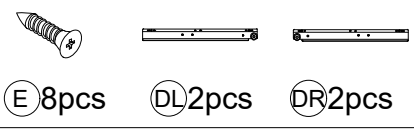
# 36

-  21 2pcs
-  23 2pcs
-  24 2pcs
-  A 8pcs
-  B 8pcs

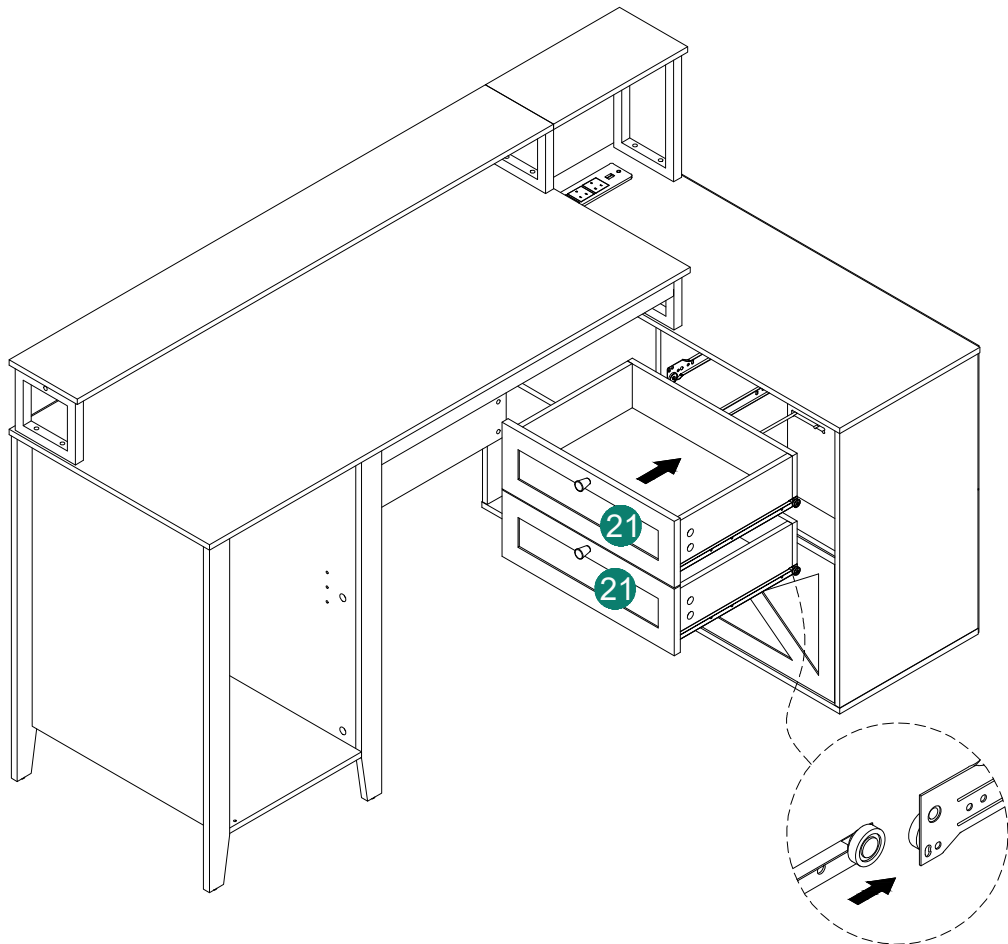




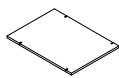
39



40



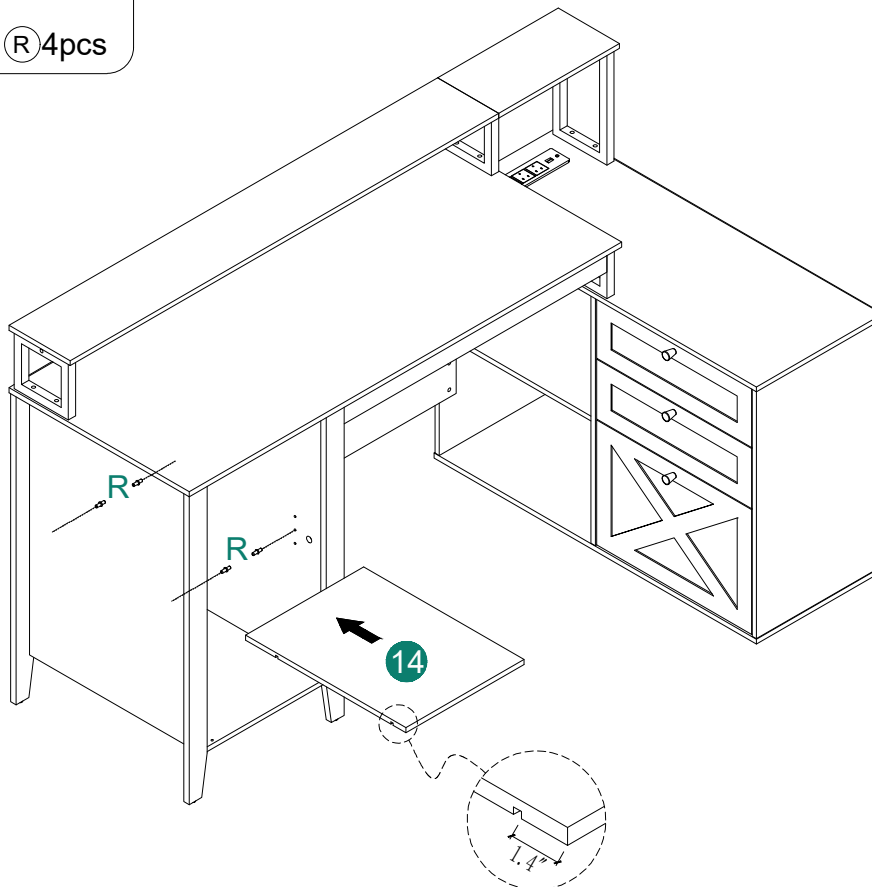
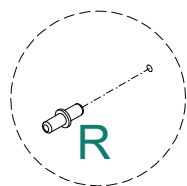
# 41



14 1pcs



R 4pcs



# 42



20 1pcs



E 2pcs



K2 1pcs



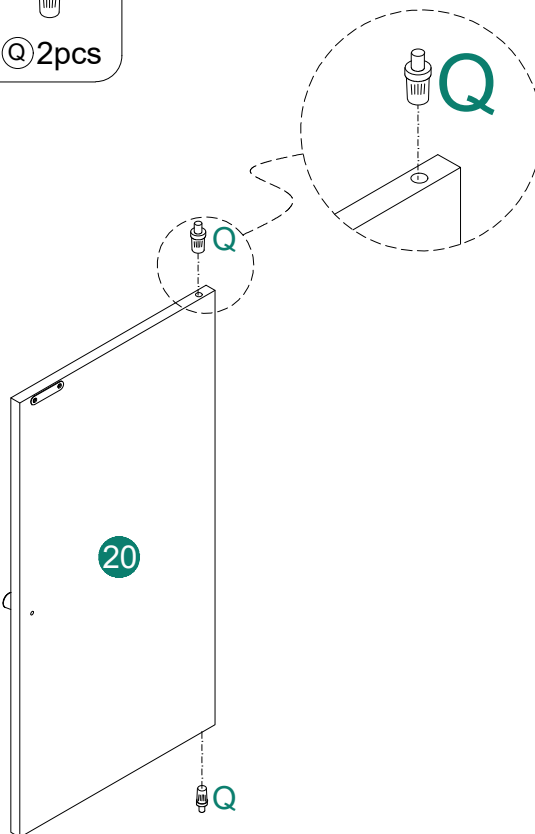
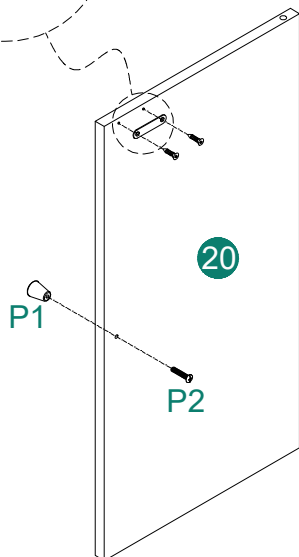
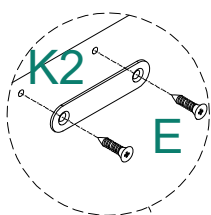
P1 1pcs



P2 1pcs

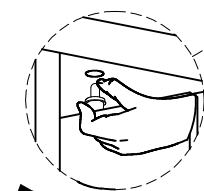


Q 2pcs

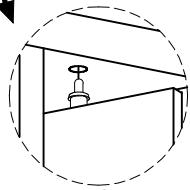


# 43

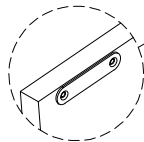
Please note that #Q is elastic



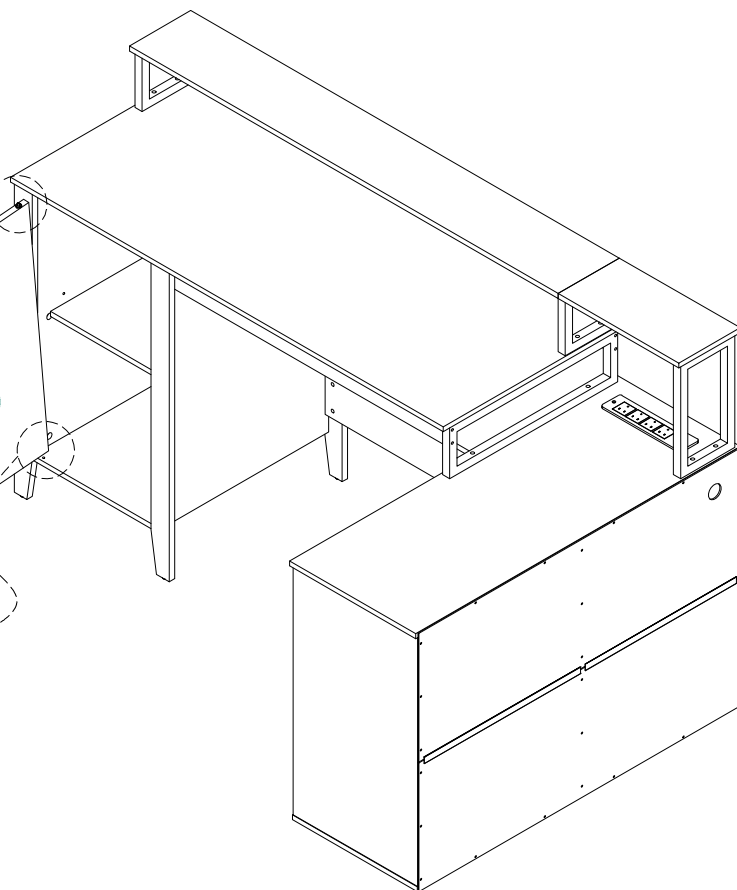
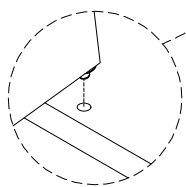
1



2



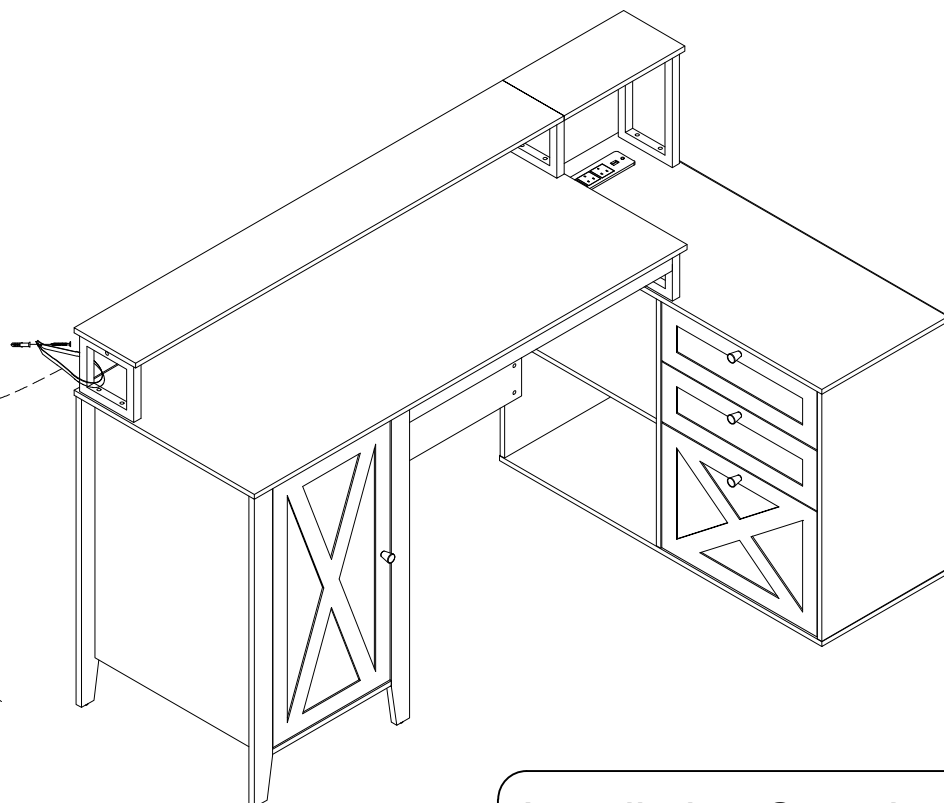
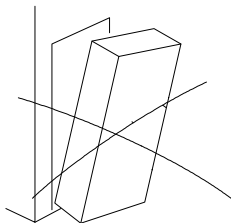
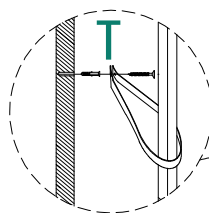
20



# 44



T 1pcs



Installation Completed